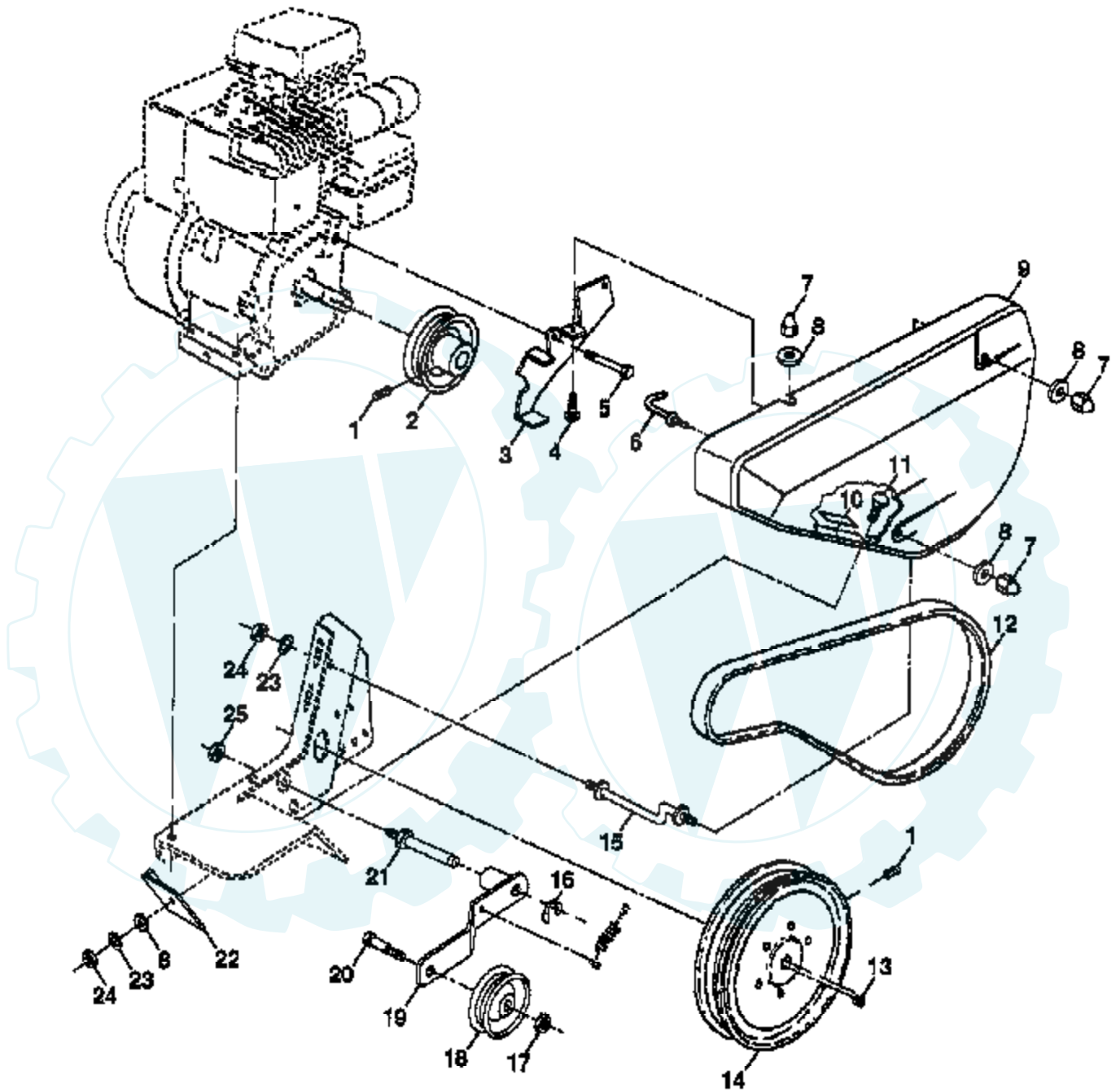
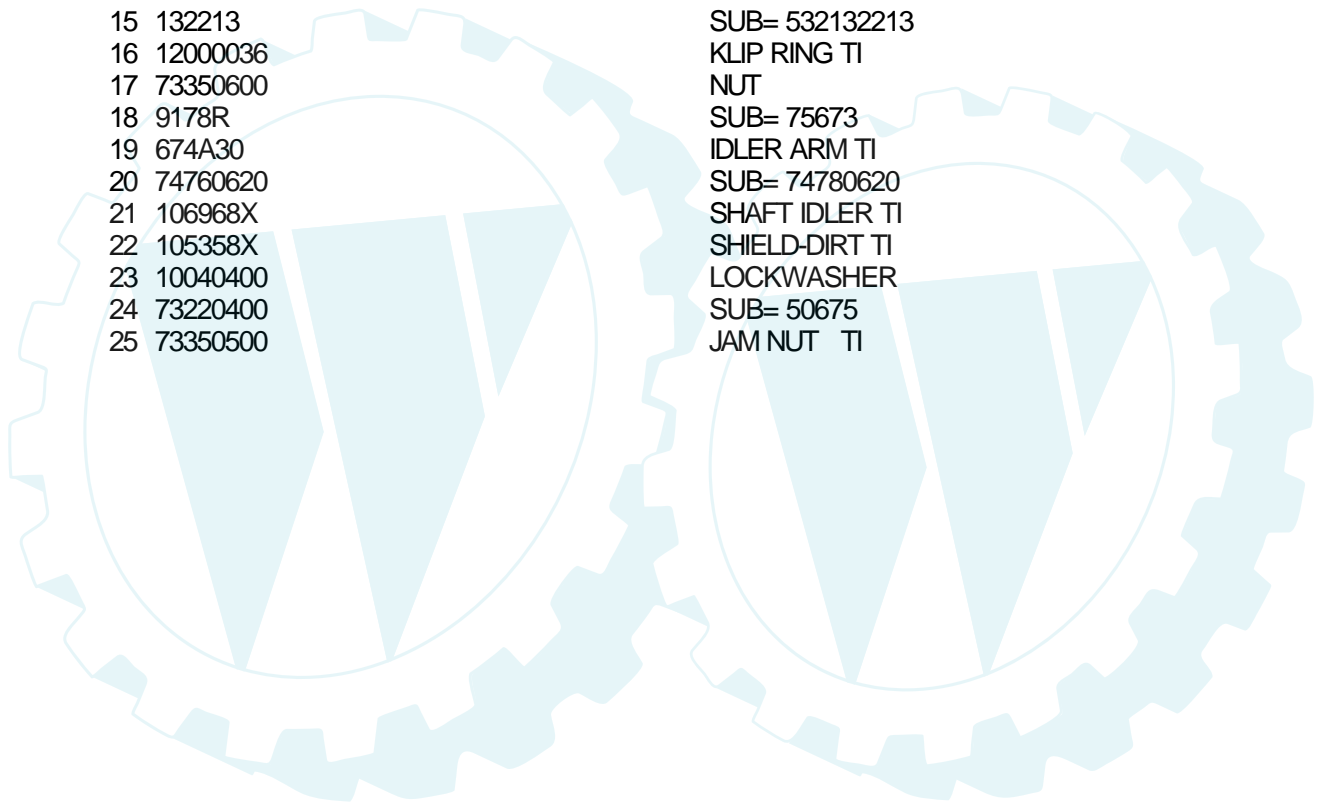


### 3 HP 17" TILLER - - MODEL NUMBER FN620B BELT GUARD AND PULLEY ASSEMBLY



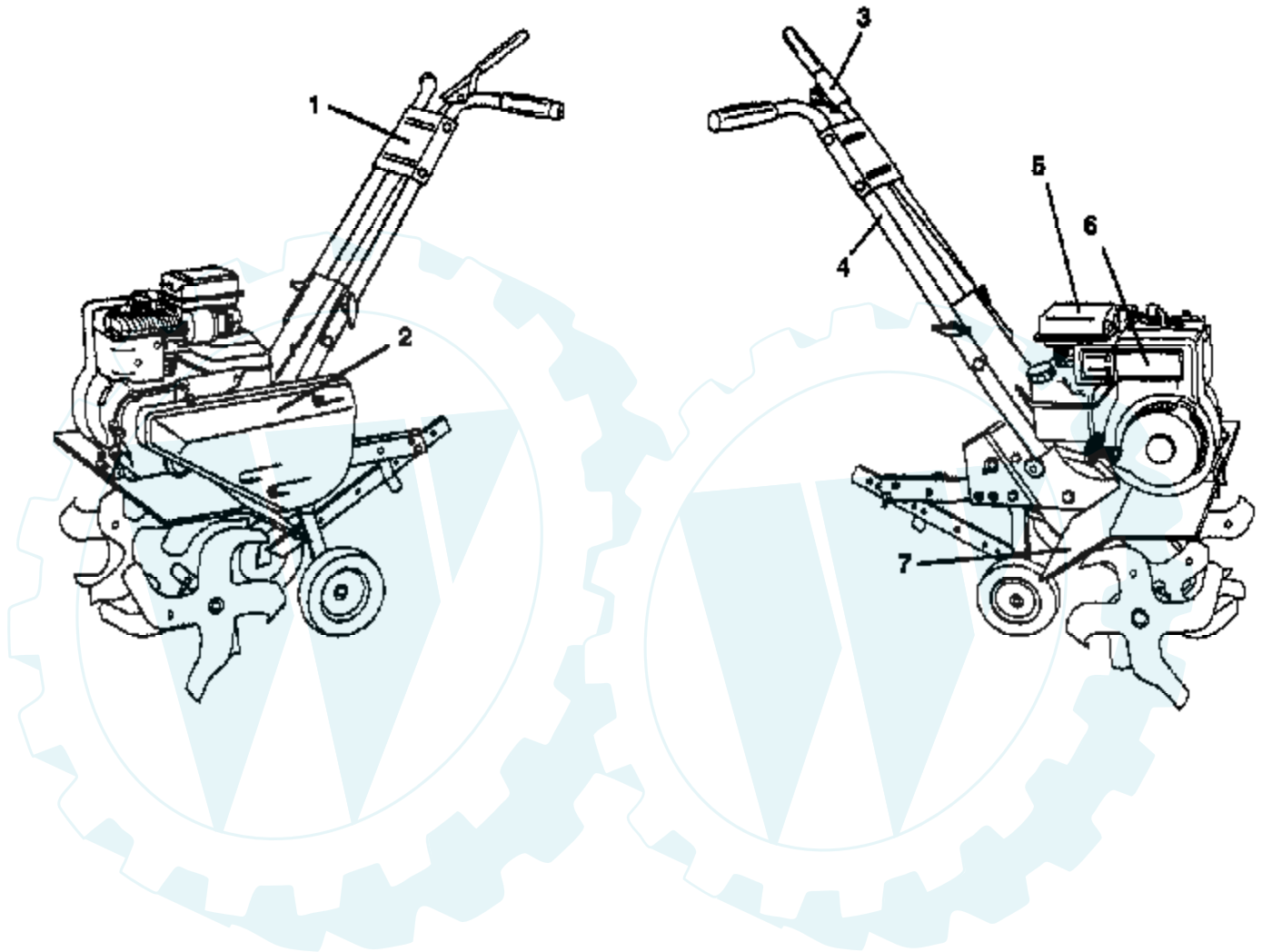
**NOTE:** All component dimensions given in U.S. inches  
1 inch = 25.4 mm

Ref #	Part Number	Qty	Description
1	23230506		SET SCREW
2	130811		SUB= 532130811
3	122955X		BRKT ASSY
4	72140404		BOLT
5	74770812		SCREW
6	121463X		KEEPER BELT
7	104213X		NUT-CAP TI
8	19091016		WASHER
9	131157X505		BELT GUARD
10	109227X		PAD IDLER TI
11	72140406		BOLT T
12	9179R		SUB= TH3H390
13	2649M		KEY T
14	9174R		TRANS SHEAVE RT
15	132213		SUB= 532132213
16	12000036		KLIP RING TI
17	73350600		NUT
18	9178R		SUB= 75673
19	674A30		IDLER ARM TI
20	74760620		SUB= 74780620
21	106968X		SHAFT IDLER TI
22	105358X		SHIELD-DIRT TI
23	10040400		LOCKWASHER
24	73220400		SUB= 50675
25	73350500		JAM NUT TI



### 3 HP 17" TILLER - - MODEL NUMBER FN620B

#### DECALS

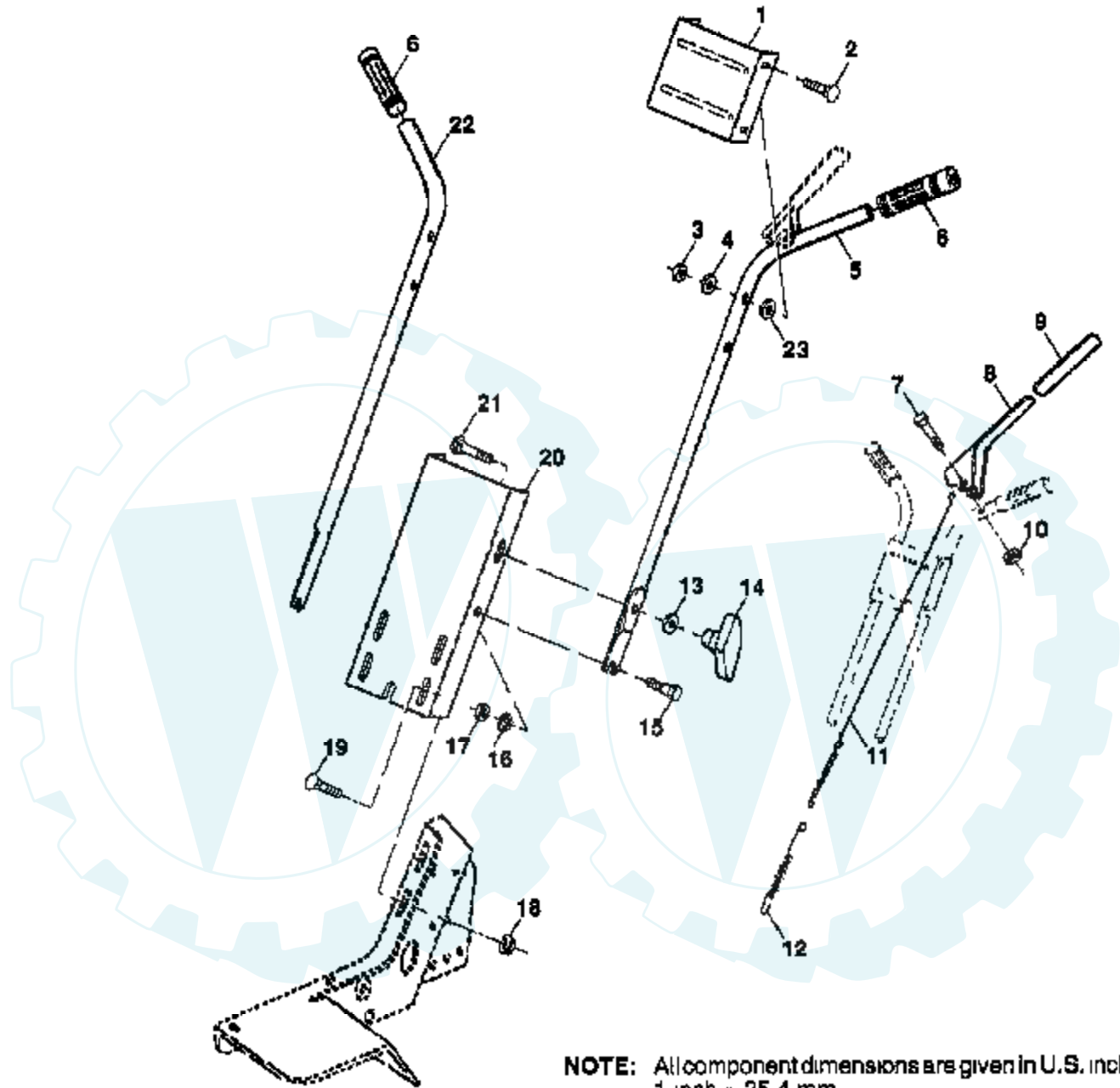


Ref #	Part Number	Qty	Description
1	132629		DECAL HANDLE BRKT
2	132811		NLA
3	110613X		DECAL TI
4	110614X		DECAL TI
5	110612X		DECAL TI
6	126230X		"DECAL,ENG HP"
7	120076X		SUB= 120075X
	143583		MANUAL.O.FN620B.E
	143584		MANUAL.O.FN620B.F



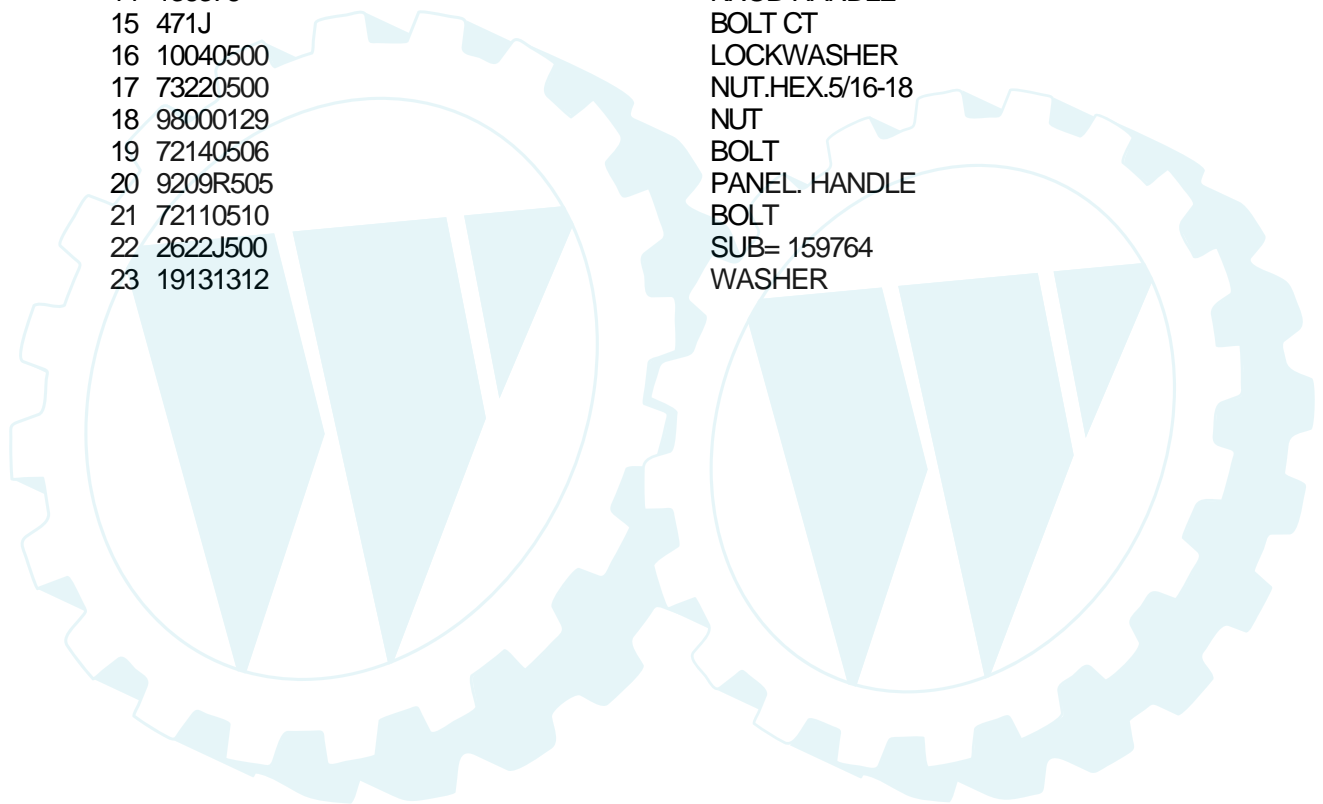
### 3 HP 17" TILLER - - MODEL NUMBER FN620B

#### HANDLE ASSEMBLY



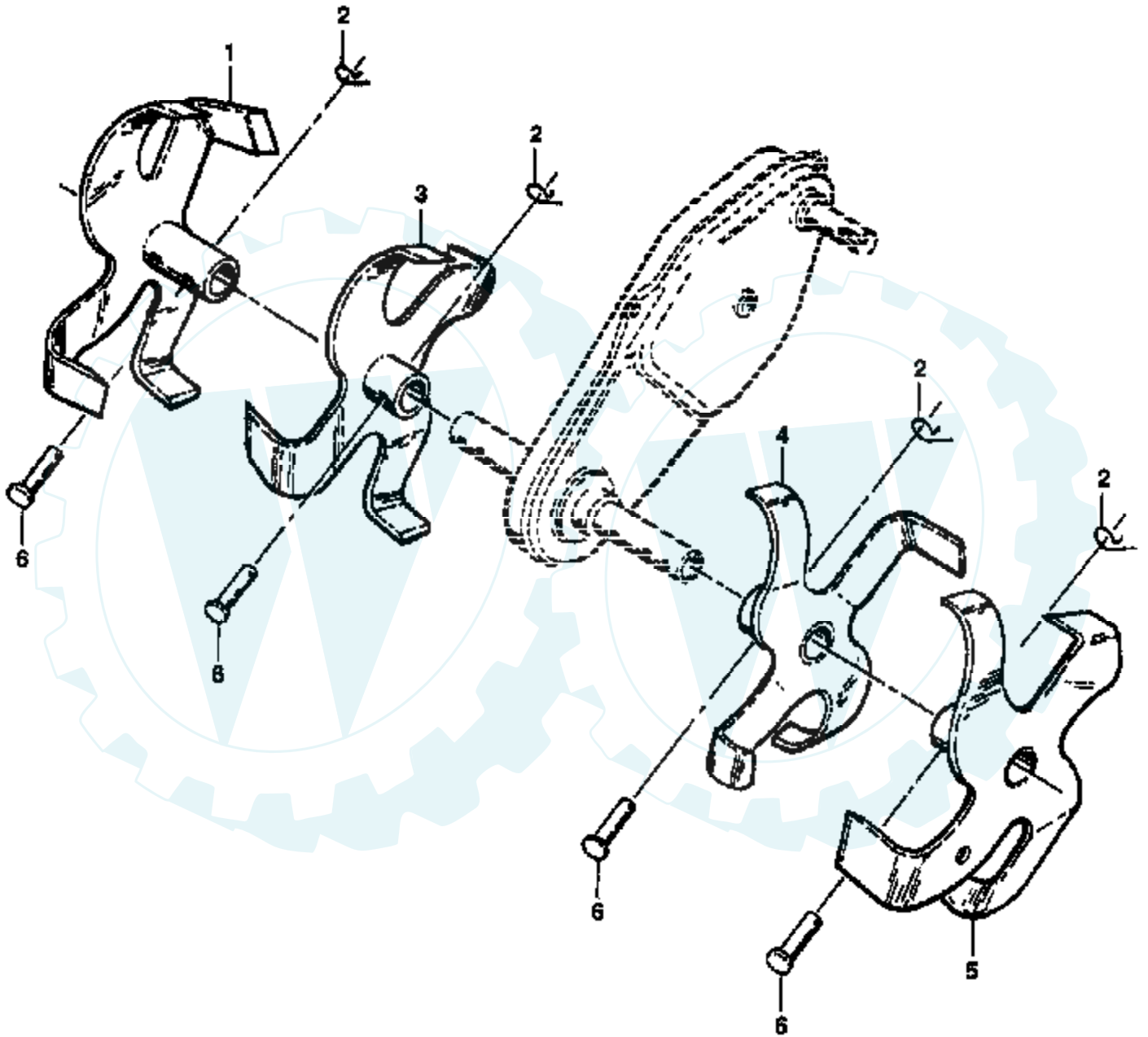
**NOTE:** All component dimensions are given in U.S. inches.  
1 inch = 25.4 mm

Ref #	Part Number	Qty	Description
1	137176X505		HANDLE BRKT
2	72140512		BOLT
3	73680500		SUB= 73690500
4	19111116		WASHER
5	2621J500		SUB= 154127
6	140536		GRIP NUB DOUBLE
7	74760524		BOLT.HEX.5/16-1.5
8	3069J		SUB= 164937
9	8206H		GRIP T
10	1685H		SUB= 68478
11	3067J		SUB= 100382K
12	3070J		SPRING EXT TI
13	19121414		WASHER
14	136376		KNOB HANDLE
15	471J		BOLT CT
16	10040500		LOCKWASHER
17	73220500		NUT.HEX.5/16-18
18	98000129		NUT
19	72140506		BOLT
20	9209R505		PANEL. HANDLE
21	72110510		BOLT
22	2622J500		SUB= 159764
23	19131312		WASHER



### 3 HP 17" TILLER - - MODEL NUMBER FN620B

#### TINE ASSEMBLY



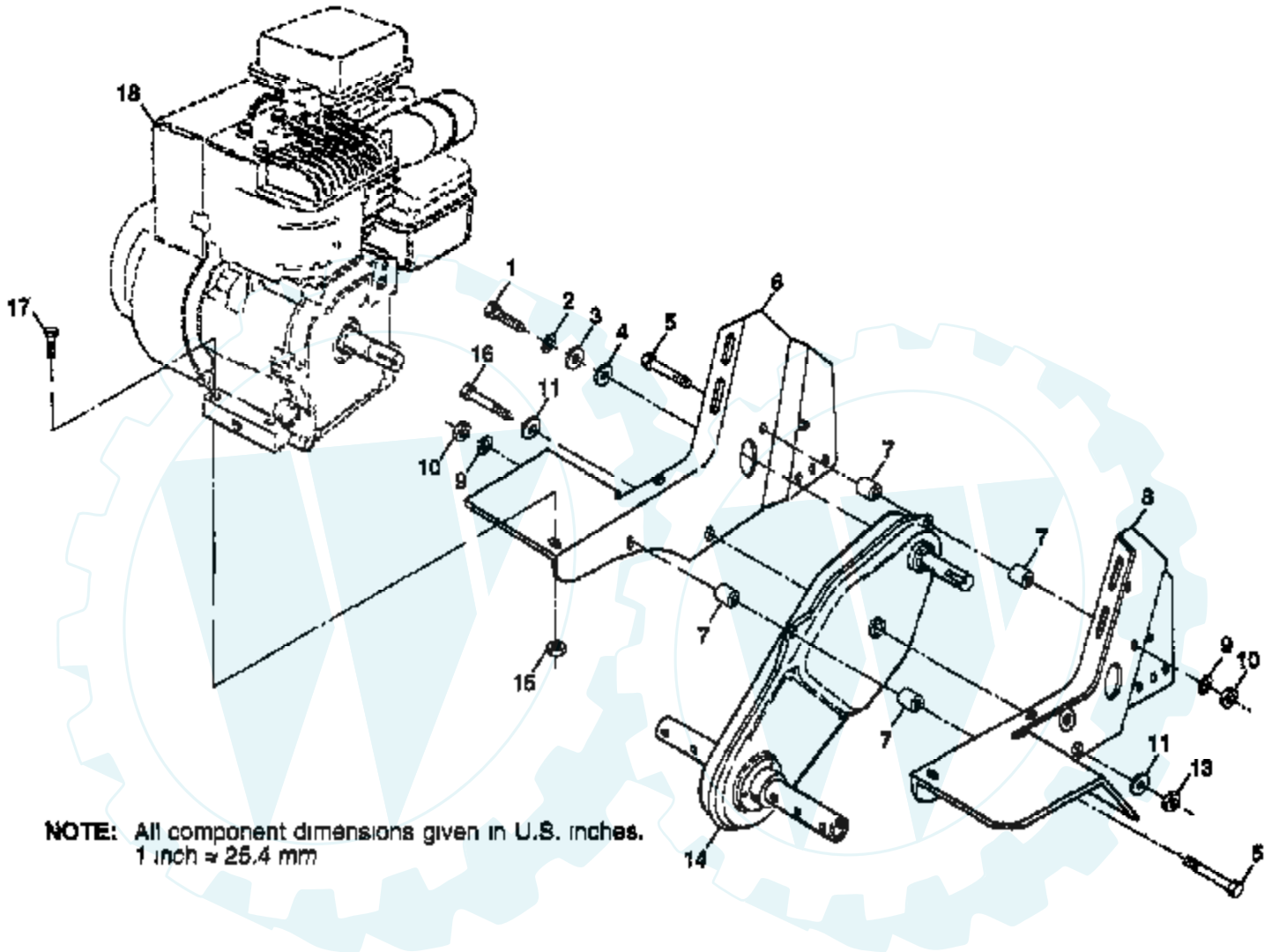
Ref #	Part Number	Qty	Description
1	106860X		TINE ASSY RH
2	4921H		SPRING.RETAINER
3	106858X		TINE ASSY RH
4	106857X		TINE INN LH TI
5	106859X		TINE ASS'Y LH
6	9194R		DRILLED RIVET RT





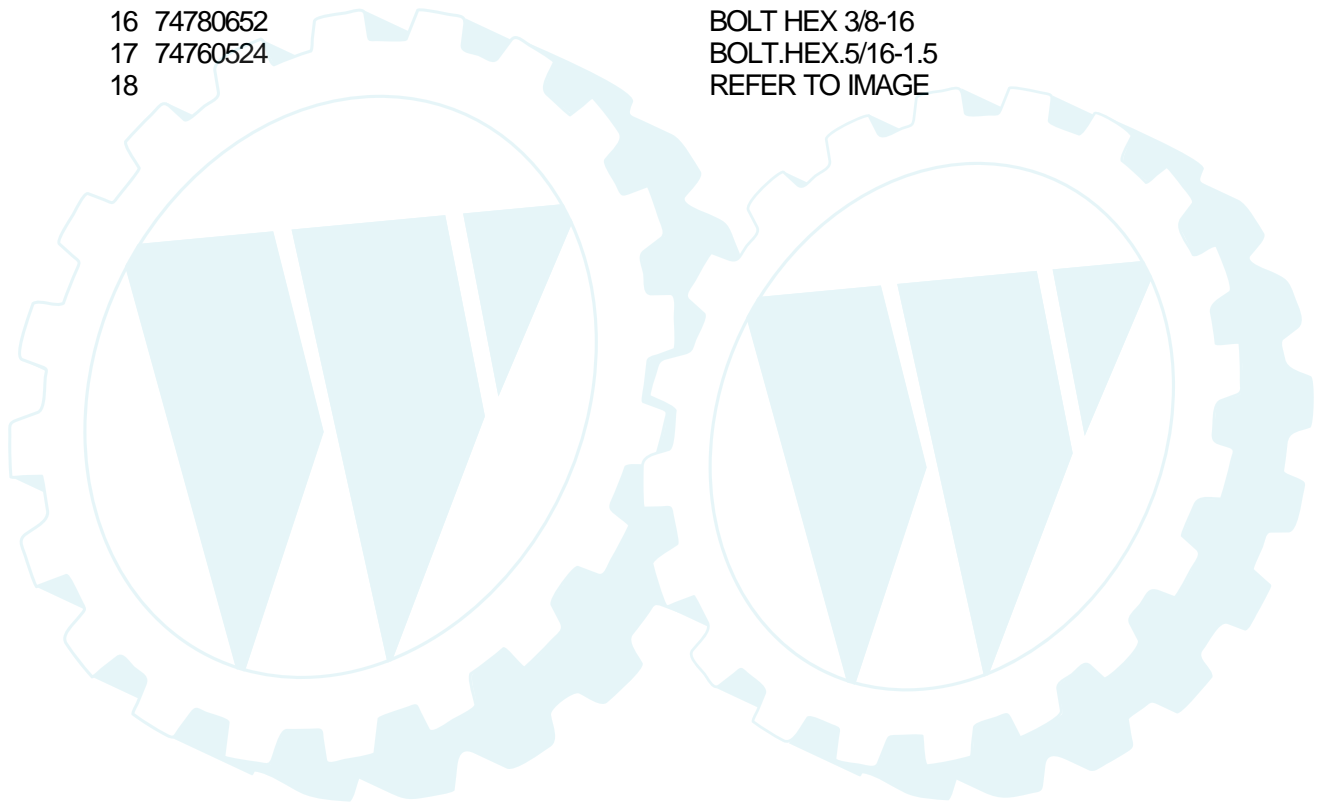
### 3 HP 17" TILLER - - MODEL NUMBER FN620B

#### TRANSMISSION

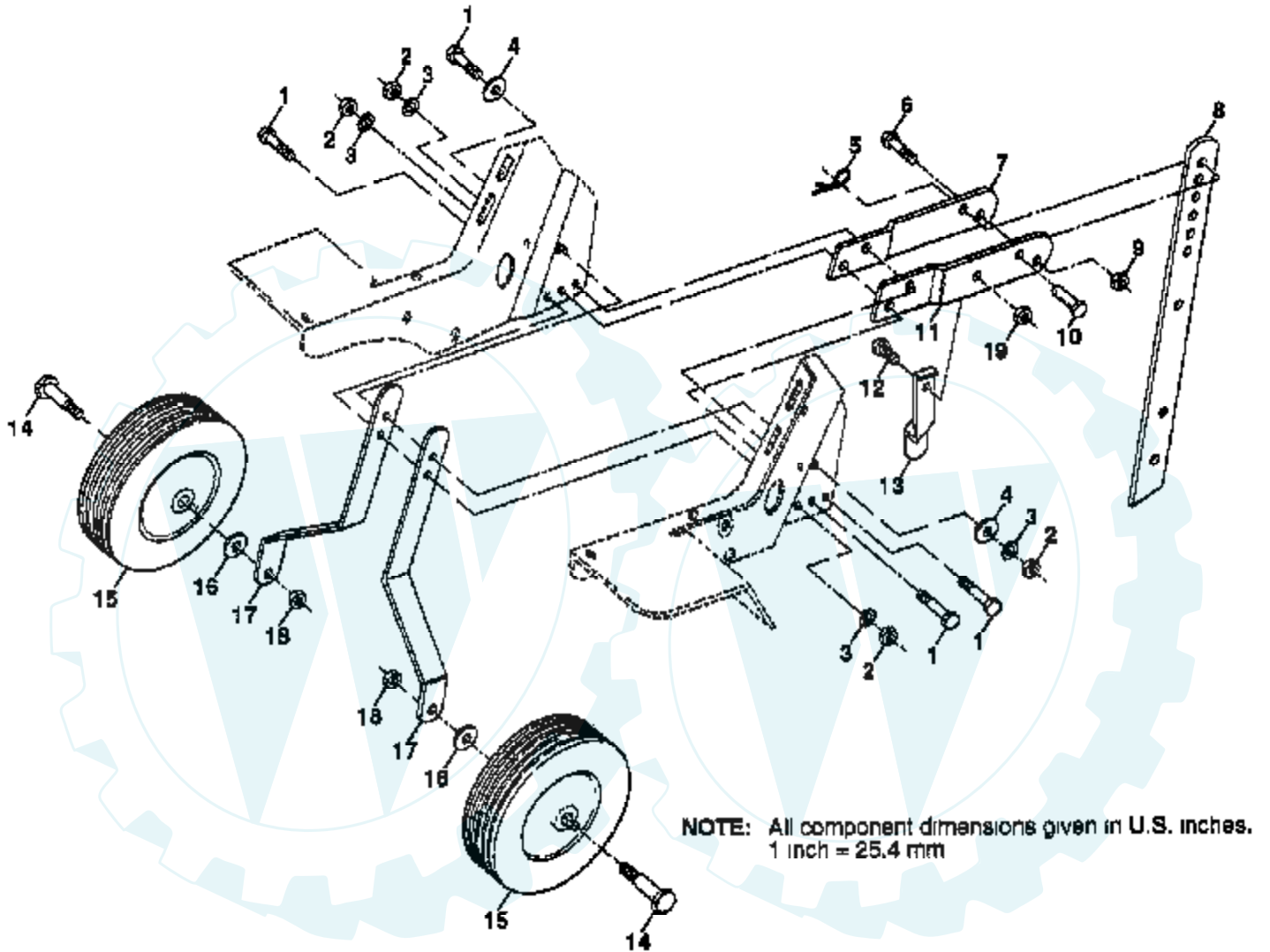


**NOTE:** All component dimensions given in U.S. inches.  
1 inch  $\approx$  25.4 mm

Ref #	Part Number	Qty	Description
1	74610412		BOLT
2	10040400		LOCKWASHER
3	19092016		WASHER
4	19091412		WASHER
5	74760544		SUB= 74780544
6	2606J505		ENGINE BRKT RH
7	9173R		SPLIT SPACER RT
8	132212X505		ENGINE BRKT LH
9	10040500		LOCKWASHER
10	73220500		NUT.HEX.5/16-18
11	19131311		WASHER
13	73800600		NUT
14	105391X		SUB= 918105391X
15	73510500		NUT
16	74780652		BOLT HEX 3/8-16
17	74760524		BOLT.HEX.5/16-1.5
18			REFER TO IMAGE



### 3 HP 17" TILLER - - MODEL NUMBER FN620B WHEEL AND DEPTH STAKE ASSEMBLY



Ref #	Part Number	Qty	Description
1	74760520		BOLT
2	73220500		NUT.HEX.5/16-18
3	10040500		LOCKWASHER
4	19121414		WASHER
5	4921H		SPRING.RETAINER
6	74780628		BOLT
7	318J		STAKE.SUPT.TILLER
8	9193R500		STAKE.DEPTH.PNT
9	73800600		NUT
10	9551R		DRILLED RIVET RT
11	317J		SUB= 317J500
12	74760512		BOLT
13	325J		STAKE SPRING CT
14	121117X		BOLT SHOULDER
15	9186R		SUB= STD333760
16	19131311		WASHER
17	9189R500		SUB= 674H4
18	73680600		SUB= 73690600
19	73800500		NUT

