

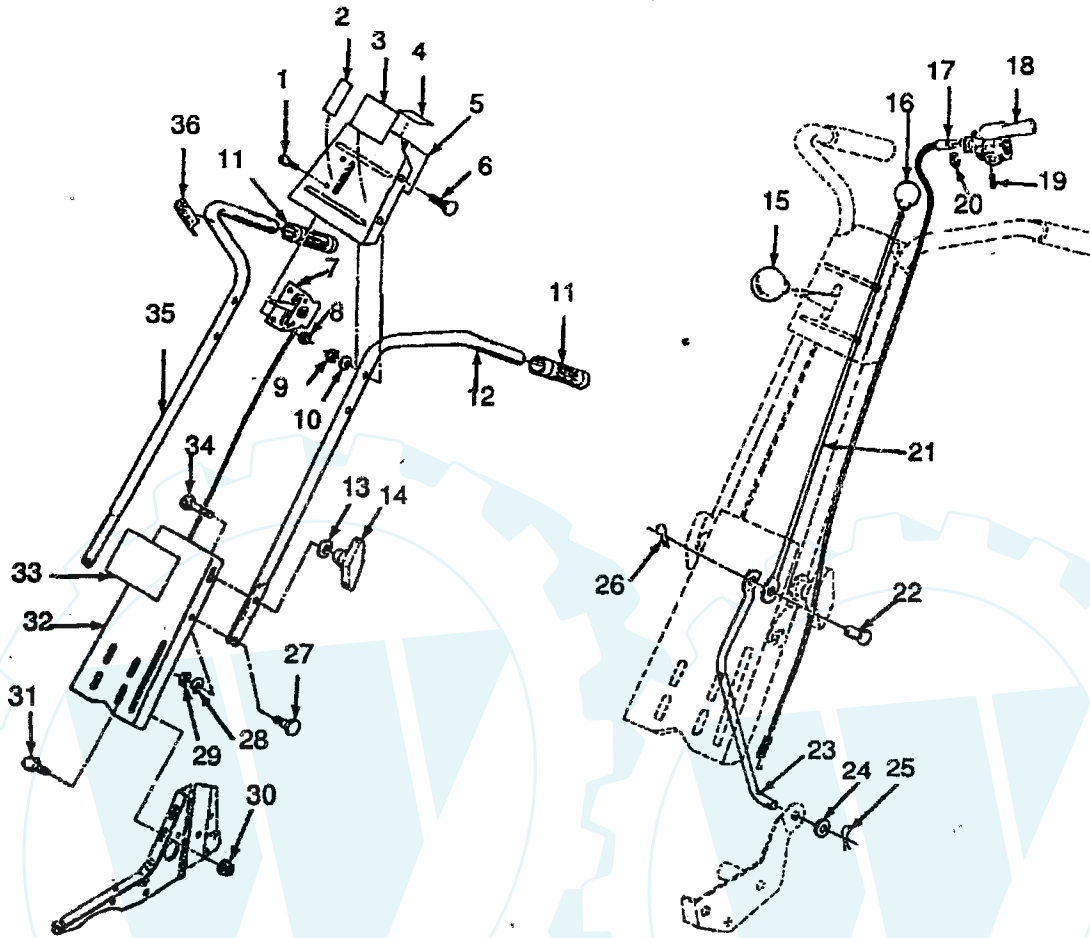
VI. REPAIR PARTS

www.ersatzteil-service.de

HANDLE ASSEMBLY

5 H.P. FRONT TINE TILLER

D5500GR



Key No.	Part No.	Description
1	71091008	* Screw - Mach. Pan CR#10 - 24 UNC x 1/2
2	121751X	Decal, Throttle
	121752X	Decal, Handle Bracket
	121753X	Decal, Reverse, Handle Bracket
5	121315X419	Bracket, Handle
6	72140512	* Bolt, Carriage 5/16 - 18 UNC x 1 - 1/2
7	110531X	Control, Throttle
8	73731000	* Nut - Keps #10 - 24 UNC
9	73680500	* Nut Crownlock 5/16 - 18
10	19111116	* Washer 11/32 x 11/16 x 16 Ga.
11	9266R	Grip, Handle
12	2623J	Handle - L.H.
13	19121414	* Washer 3/8 x 7/8 x 14 Ga.
14	63688	Knob, Handle
15	109857X	Knob, Control, Throttle
16	100196K	Knob, Reverse Control
17	3066J	Cable, Tine Control
18	2635J	Lever, Tine Control
19	23200405	* Screw, Hex Forged Socket Headless Set C.P. 1/4 - 20 x 5/16

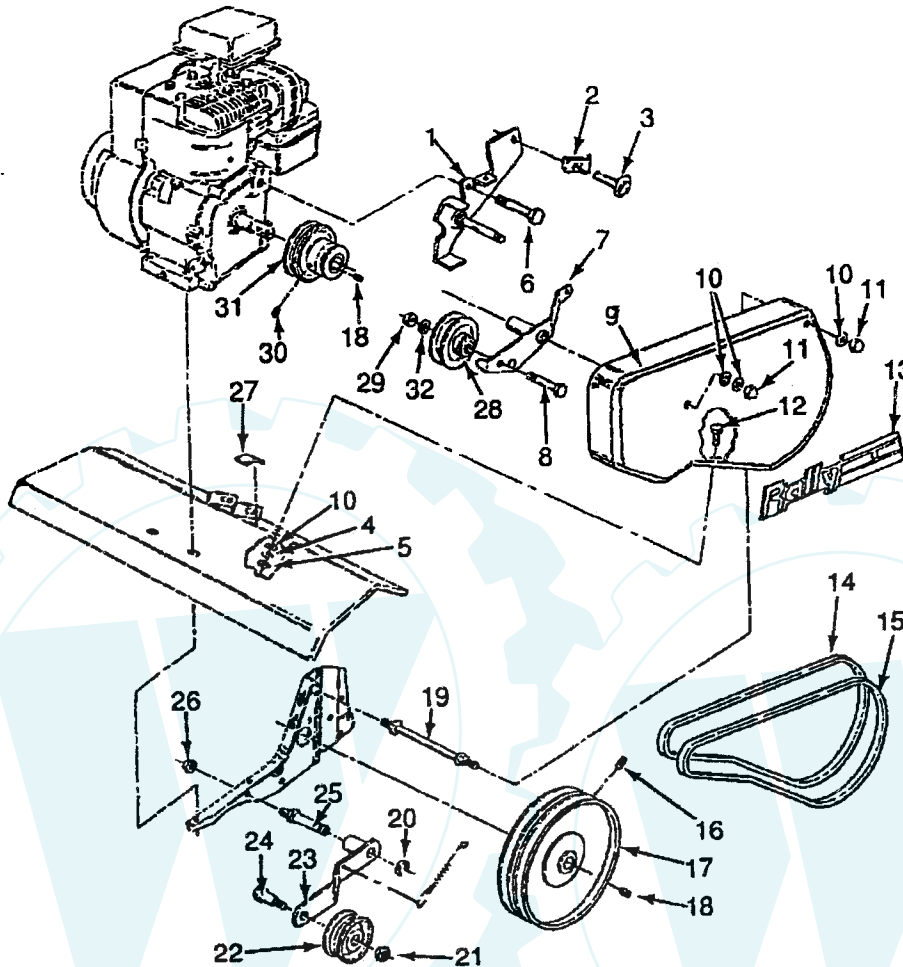
Key No.	Part No.	Description
20	12000027	* Ring, Klip
21	101248K	Rod, Reverse, Upper
22	1778E	Pin, Retaining
23	2613J	Rod, Reverse, Lower
24	19131316	* Washer 13/32 x 13/16 x 16 Ga.
25	76020412	* Pin, Cotter 1/8 x 3/4
26	76020308	* Pin, Cotter 3/32 x 1/2
27	471J	Bolt, Shoulder 5/16 - 18 x 3/4
28	10040500	* Lockwasher 5/16
29	73220500	* Nut, Hex 5/16 - 18
30	98000129	* Nut, Flanged 5/16 - 18
31	72140506	* Bolt, Carriage Sht. Shoulder 5/16 - 18 x 3/4 Gr. 5
32	674A150419	Panel, Handle
33	104474X	Decal, Handle Panel
34	72110510	* Bolt, Carriage Sht. Shoulder 5/16 - 18 x 1-1/4 Gr. 5
35	2624J	Handle - R.H.
36	110614X	Decal - Hand Placement

*STANDARD HARDWARE—PURCHASE LOCALLY

VI. REPAIR PARTS

BELT GUARD AND PULLEY ASSEMBLY

5 H.P. FRONT TINE TILLER



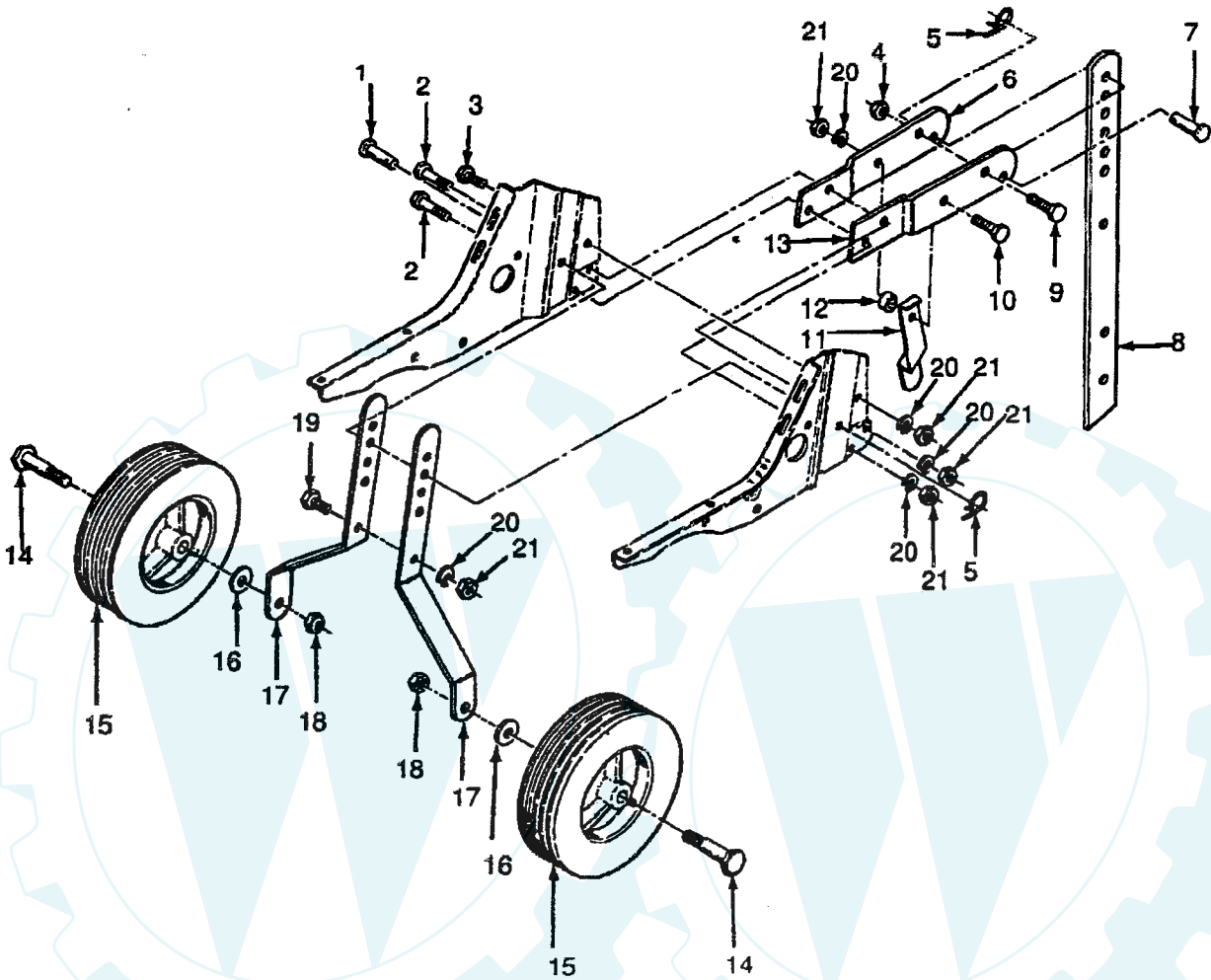
Part No.	Description	Key Part No.	Description
1	123643X Belt Guard Bracket Assembly	17	2607J Sheave, Transmission
2	9484R Clip, Cable	18	2649M Key, Square
3	86777 Screw, Hex Washer HD Slotted THD. Cutting 10-24 x 1/2 Type D	19	110550X Bolt, Belt Guard
4	10040400 * Lockwasher, 1/4	20	12000036 * Ring, Klip
5	73220400 * Nut, Hex 1/4 - 20	21	73350600 * Nut, Hex Jam 3/8 - 16
6	74770812 * Bolt, Hex 1/2 - 20 X 3/4	22	9178R Pulley, Idler
7	106953X Arm Assembly, Reverse Idler	23	674A30 Arm, Idler
8	74760624 * Bolt, Hex 3/8 - 16 X 1-1/2	24	74760620 * Bolt, Hex 3/8 - 16 X 1-1/4
9	106970X419 Belt, Guard	25	106968X * Shaft, Idler Arm
10	19091016 * Washer 9/32 X 5/8 X 16 Ga.	26	73350500 * Nut, Hex Jam 5/16 - 18
11	104213X Nut, Cap 1/4 - 20	27	109227X Pad, Idler
12	72140405 * Bolt, Carriage 5/16 - 18 X 5/8	28	2009J Pulley, Reverse Idler
13	109793X Decal, Belt Guard	29	73220600 * Nut, Hex 3/8 - 16
14	4833H V-Belt (Forward Motion)	30	23200404 * Screw, Hex Forged Socket Headless Set C.P. 1/4 - 20 X 1/4
15	2614J V-Belt (Reverse)	31	101189L Sheave, Engine
16	23230506 * Screw, Hex Forged Socket Headless Set C.P. 5/16 - 18 X 3/8	32	19131316 Washer 13/32 x 13/16 x 16 Ga.

VI. REPAIR PARTS

www.ersatzteil-service.de

WHEEL AND DEPTH STAKE ASSEMBLY

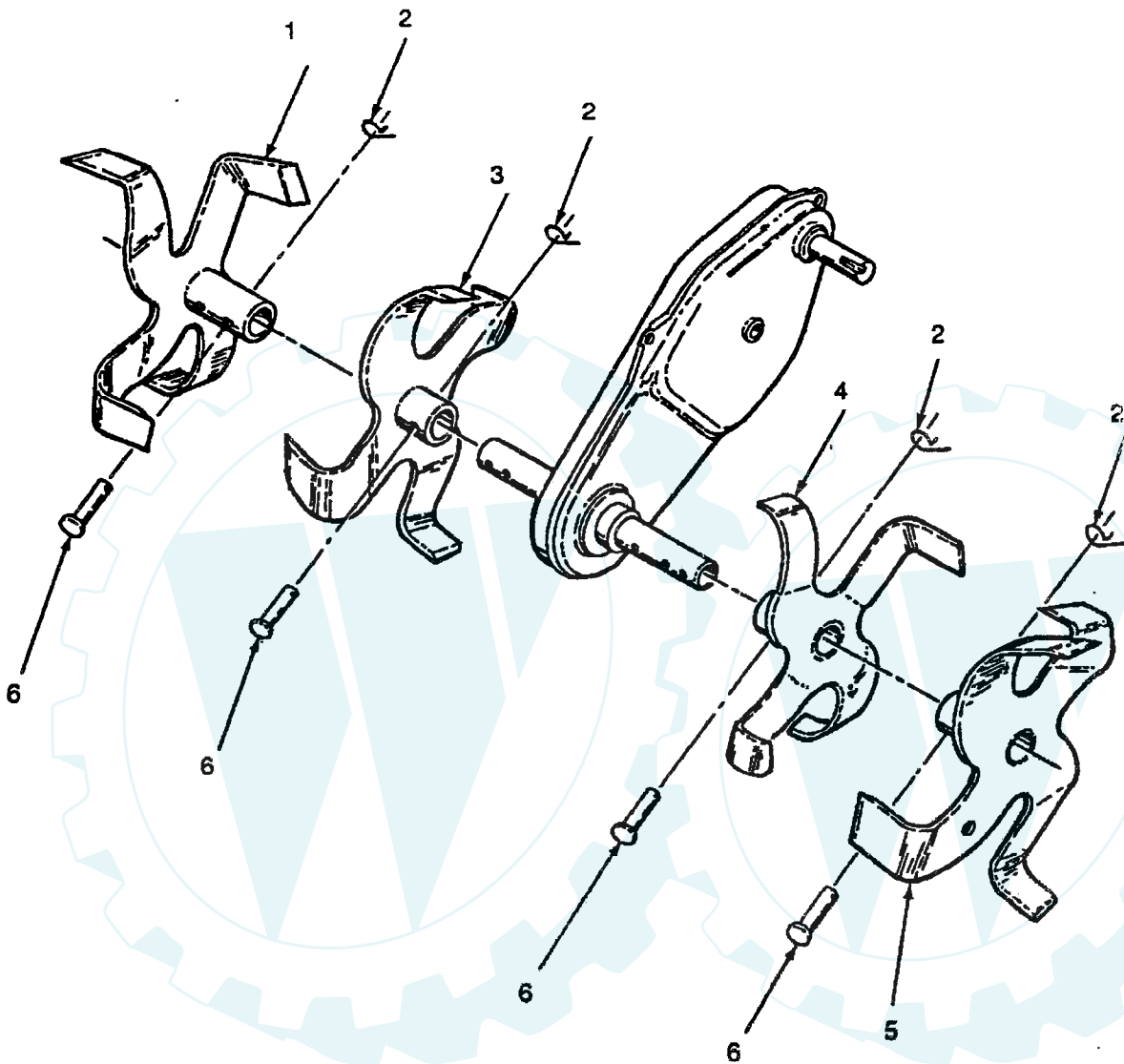
5 H.P. FRONT TINE TILLER



Key No.	Part No.	Description
1	9194R	Pin, Retaining (With Hole)
2	74760520	* Bolt, Hex 5/16 - 18 X 1-1/4
3	74760512	* Bolt, Hex 5/16 - 18 X 3/4
4	7810H	Nut, Lock 3/8 - 24
5	4921H	Clip, Hairpin
6	1952J	Support, Depth Stake R.H.
7	326J	Pin, Retaining (With Hole)
8	122233X	Stake, Depth
9	74610624	* Bolt, Hex 3/8 - 24 X 1-1/2 Gr.5
10	74760524	* Bolt, Hex 5/16 - 18 X 1-1/2 Gr.2
11	5388J	Spring, Stake

Key No.	Part No.	Description
12	120958X	Washer
13	1951J	Support, Depth Stake L.H.
14	121117X	Bolt, Shoulder
15	9188R	Wheel
16	19131311	* Washer 13/32 X 13/16 X 11 Ga.
17	9190R	Bracket, Wheel
18	73680600	* Nut, Crownlock 3/8 - 16
19	74760516	* Bolt, Hex 5/16 - 18 X 1
20	10040500	* Lockwasher 5/16
21	73220500	Nut, Hex 5/16 - 18

*STANDARD HARDWARE—PURCHASE LOCALLY

VI. REPAIR PARTS**TINE ASSEMBLY****5 H.P. FRONT TINE TILLER**

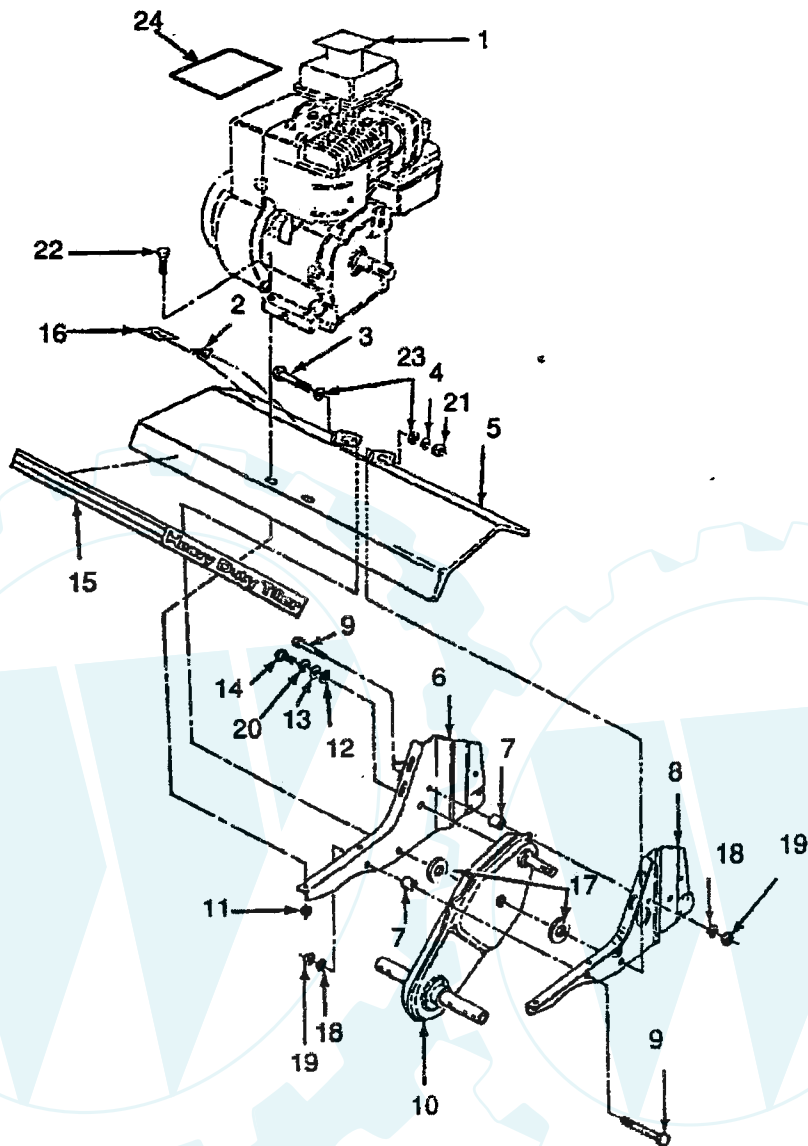
Key No.	Part No.	Description
1	100746M	Tine, Outer - R.H.
2	3146R	Clip, Hairpin
3	674A43	Tine, Inner - R.H.
4	674A42	Tine, Inner - L.H.
5	100744M	Tine, Outer - L.H.
6	4929H	Pin, Retaining (With Hole)

VI. REPAIR PARTS

www.ersatzteil-service.de

TRANSMISSION

5 H.P. FRONT TINE TILLER



Key Part
No. No.

Description

- 1 110612X Decal, Caution
- 2 — Decal, OPEI
- 3 74610652 * Bolt, Hex 3/8 - 24 x 3-1/4 Gr.5
- 4 10040600 * Lockwasher 3/8
- 5 9057R419 Shield, Tine
- 6 1949J Bracket, Engine - R.H.
- 7 9173R Spacer, Split
- 8 110519X Bracket, Engine L.H.
- 9 74760544 * Bolt, Hex 5/16 - 18 x 2-3/4
- 10 105397X Transmission
- 11 73510500 * Nut, Keps 5/16
- 12 19091412 * Washer 9/32 X 7/8 x 12 Ga.
- 13 19092016 * Washer 9/32 X 1-1/4 x 16 Ga.

Key Part
No. No.

Description

- 14 74610412 * Bolt, Hex 1/4 - 28 x 3/4 Gr. 5
- 15 104473X Decal, Tine Shield
- 16 120076X Decal, Warning
- 17 19171616 Washer 17/32 x 1 x 16 Ga.
- 18 10040500 * Lockwasher 5/16
- 19 73220500 * Nut, Hex 5/16-18
- 20 10040400 * Lockwasher 1/4
- 21 7810H Nut, Lock 3/8-24
- 22 74760524 * Bolt, Hex 5/16-18 x 1-1/2 Gr. 2
- 23 19131311 * Washer 13/32 x 13/16 x 11
- 24 121543X Decal, Engine B&S

*STANDARD HARDWARE—PURCHASE LOCALLY