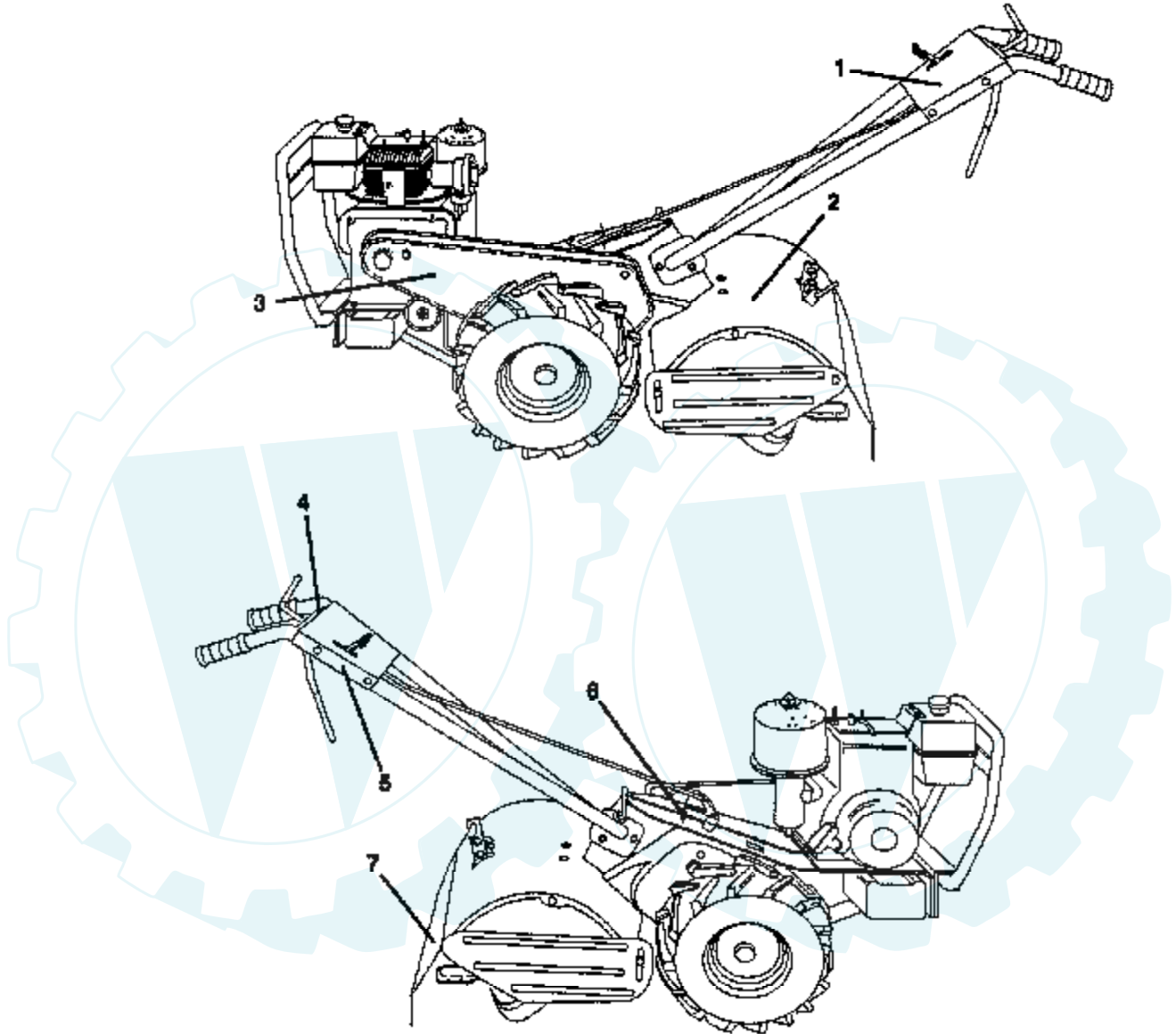


8 HP 21" TILLER - - MODEL NUMBER CTJ800A

DECALS

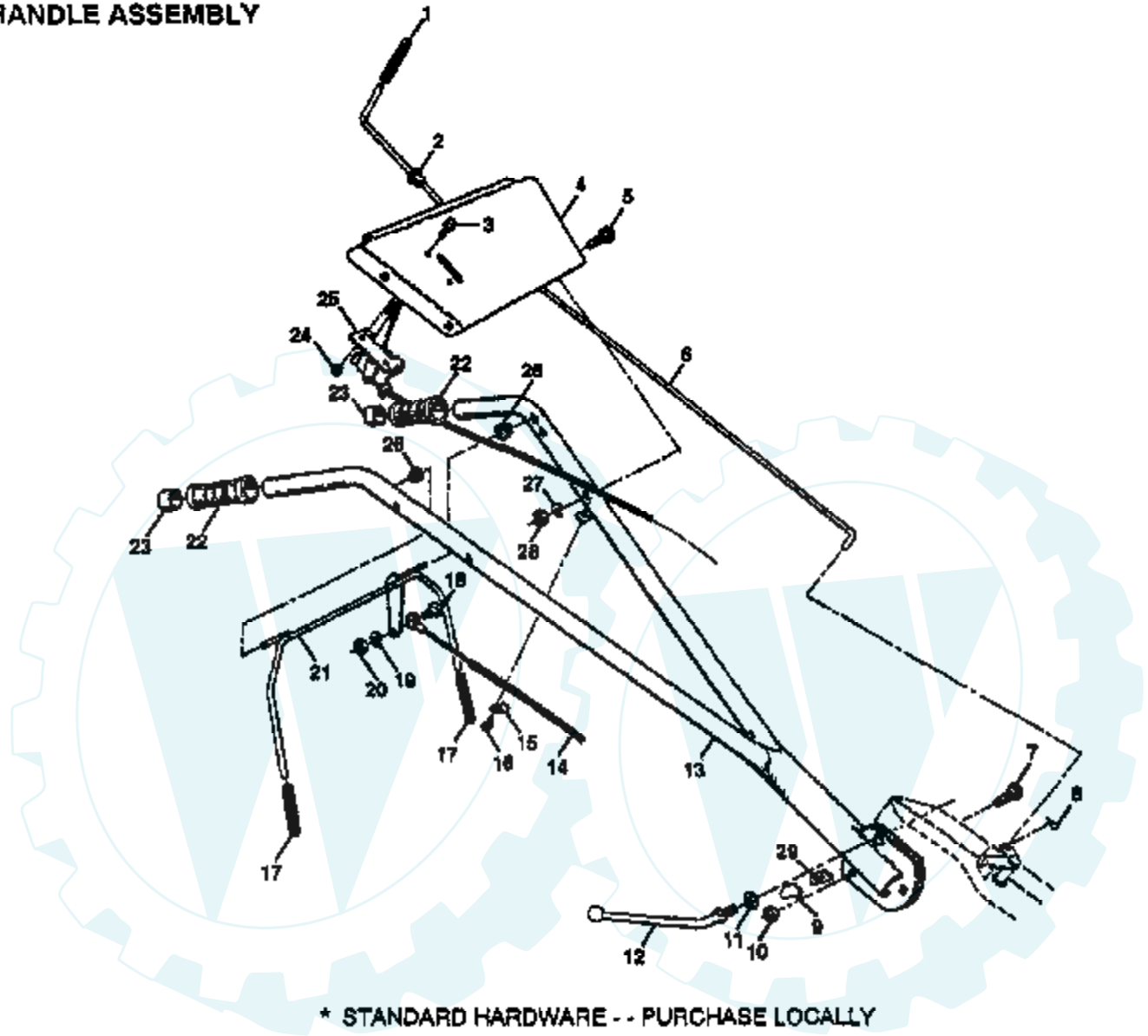


| Ref # | Part Number | Qty | Description |
|-------|-------------|-----|------------------------|
| 1 | 138175 | | DECAL.CNTL.PNL |
| 2 | 127210X | | NLA |
| 3 | 138174 | | DECAL.GUARD.BELT |
| 4 | 110655X | | NLA |
| 5 | 120431X | | DECAL TI |
| 6 | 100108K | | DECAL, SHIFT INDICATOR |
| 7 | 120075X | | DECAL TI |
| | 138745 | | MANUAL.O.CTJ800A |



8 HP 21" TILLER -- MODEL NUMBER CTJ800A

HANDLE ASSEMBLY



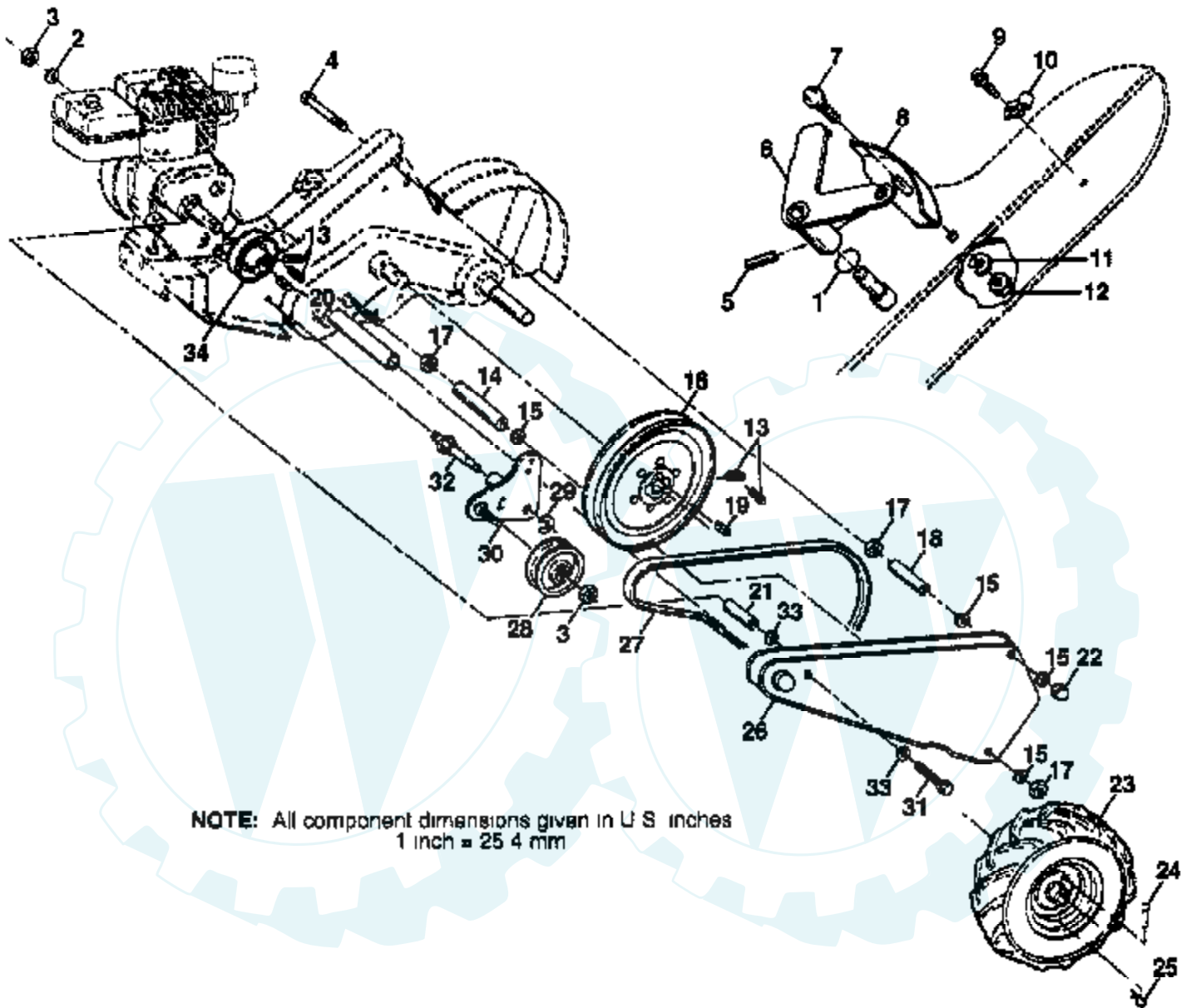
* STANDARD HARDWARE -- PURCHASE LOCALLY

NOTE: All component dimensions given in U.S. inches.
1 inch = 25.4 mm

| Ref # | Part Number | Qty | Description |
|-------|-------------|-----|-------------------|
| 1 | 8389J | | GRIP TI |
| 2 | 121248X | | BUSHING |
| 3 | 71091008 | | SCREW |
| 4 | 126949X419 | | SUB= 126949X500 |
| 5 | 72110514 | | BOLT CARRIAGE CRT |
| 6 | 108281X | | ROD SHIFT CRT |
| 7 | 72110608 | | BOLT D |
| 8 | 4497H | | RETAINER M |
| 9 | 109229X | | LOCK CRT |
| 10 | 73930600 | | LOCKNUT |
| 11 | 19131611 | | WASHER CRT |
| 12 | 109228X | | LEVER LOCK CRT |
| 13 | 121566X | | HANDLE |
| 14 | 101251L | | CABLE-CLUTCH CRT |
| 15 | 9484R | | CONDIUT CLIP T |
| 16 | 86777 | | SUB= 750097 |
| 17 | 102604X | | GRIP BAR CRT |
| 18 | 81328 | | SHOULDER BOLT ST |
| 19 | 10040400 | | LOCKWASHER |
| 20 | 73220400 | | SUB= 50675 |
| 21 | 108276X | | HANDLE BAR CRT |
| 22 | 108279X | | NLA |
| 23 | 108544X | | CAP CRT |
| 24 | 73731000 | | NUT |
| 25 | 138305 | | CONTROL THROTTLE |
| 26 | 5420J | | SUB= 146480 |
| 27 | 10040500 | | LOCKWASHER |
| 28 | 1685H | | SUB= 68478 |
| 29 | 138283 | | LOCK.HANDLE |

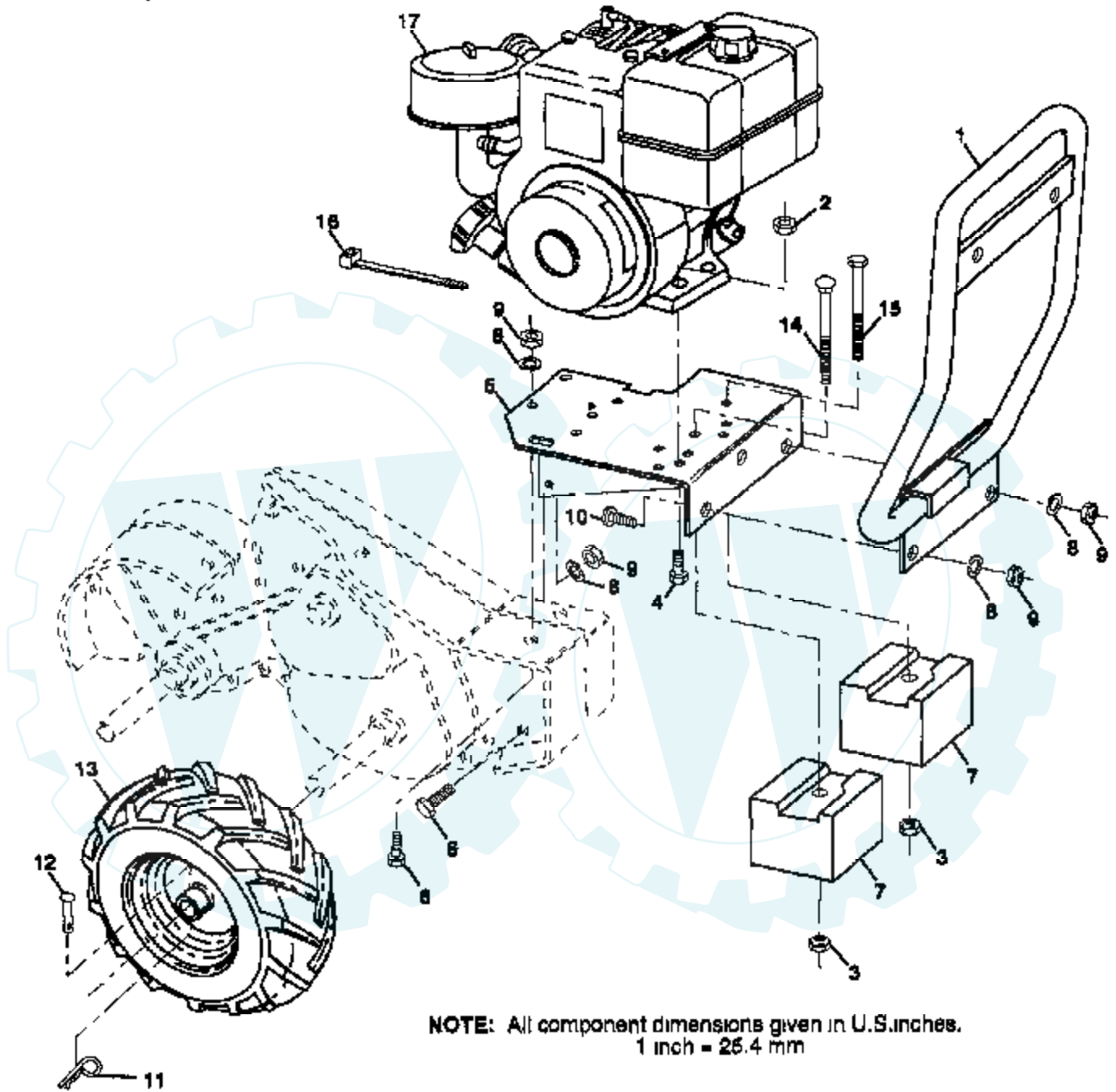
8 HP 21" TILLER - - MODEL NUMBER CTJ800A

MAINFRAME, LEFT SIDE

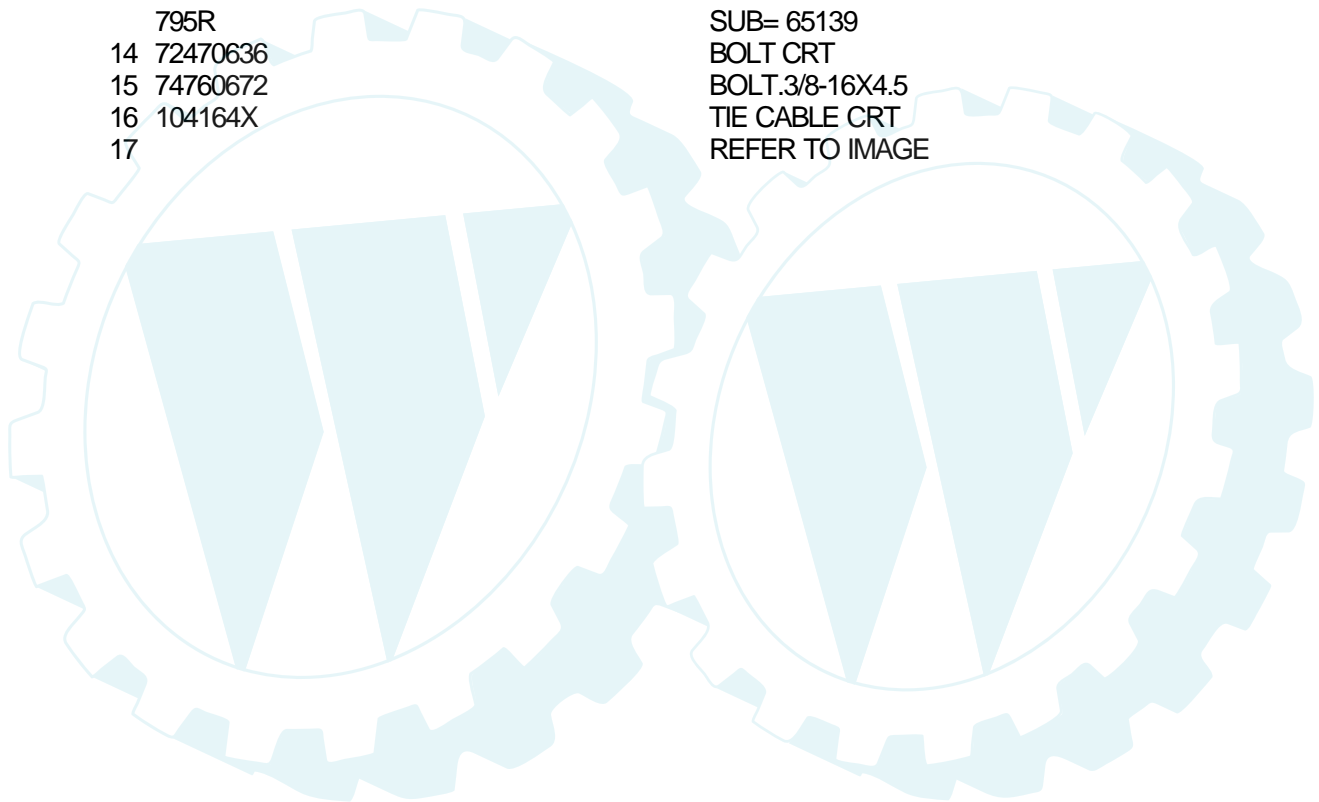


| Ref # | Part Number | Qty | Description |
|-------|-------------|-----|-------------------|
| 1 | 106160X | | O-RING TI |
| 2 | 10040500 | | LOCKWASHER |
| 3 | 73220600 | | NUT.HEX.3/8-16UNC |
| 4 | 749305725 | | BOLT, HEX HEAD |
| 5 | STD571810 | | PIN, ROLL |
| 6 | 138398 | | LEVER.ASM.SHIFT |
| 7 | 72110404 | | BOLT |
| 8 | 8700J | | PANEL TI |
| 9 | 86777 | | SUB= 750097 |
| 10 | 9484R | | CONDIUT CLIP T |
| 11 | 10040400 | | LOCKWASHER |
| 12 | 73220400 | | SUB= 50675 |
| 13 | 23230506 | | SET SCREW |
| 14 | 8382J | | SPACER TI |
| 15 | 19111116 | | WASHER |
| 16 | 100473M | | "SHEAVE 10"" CRT" |
| 17 | 73220500 | | NUT.HEX.5/16-18 |
| 18 | 8381J | | SPACER TI |
| 19 | 2649M | | KEY T |
| 20 | 4914H | | KEY TI |
| 21 | 139155 | | SPACER.SPLIT |
| 22 | 104214X | | NUT TI |
| 23 | 5015J | | TIRE TI |
| | 138417 | | RIM.16X4X8.WHT |
| | 795R | | SUB= 65139 |
| 24 | 4929H | | RIVET.PAN HD.1.75 |
| 25 | 4921H | | SPRING.RETAINER |
| 26 | 102818X419 | | GUARD.BELT |
| 27 | 138399 | | BELT.DRIVE |
| 28 | 104680X | | SUB= 4371J |
| 29 | 12000032 | | KLIP RING |
| 30 | 105611X | | SUB= 918105611X |
| 31 | 74770840 | | BOLT TI |
| 32 | 139041 | | SUB= 139401 |
| 33 | 19171616 | | WASHER |
| 34 | 4368J | | SHEAVE CRT |

8 HP 21" TILLER - - MODEL NUMBER CTJ800A MAINFRAME, RIGHT SIDE

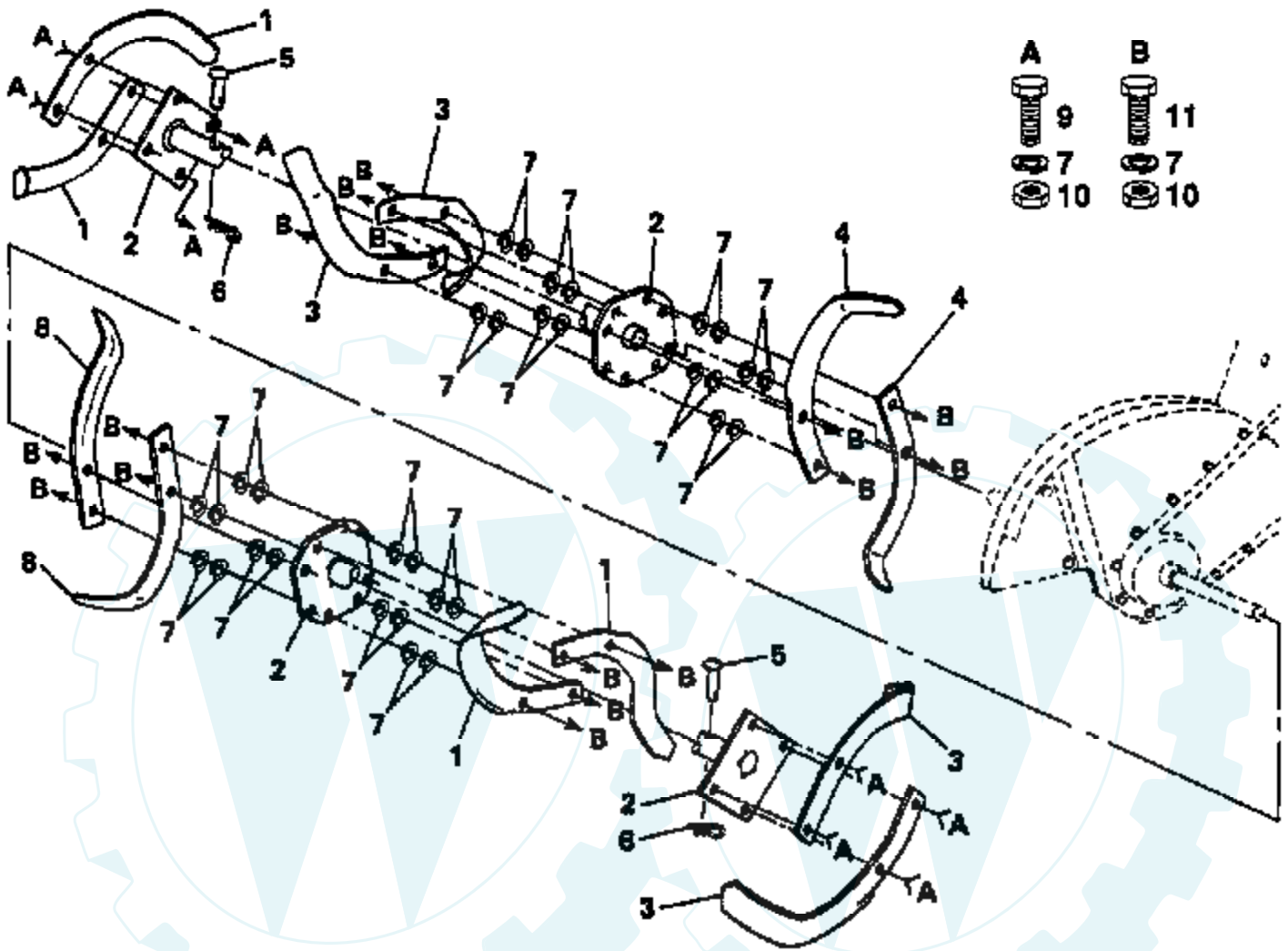


| Ref # | Part Number | Qty | Description |
|-------|-------------|-----|---------------------|
| 1 | 138402 | | BUMPER.ASM |
| 2 | 73680500 | | SUB= 73690500 |
| 3 | 73680600 | | SUB= 73690600 |
| 4 | 74760528 | | BOLT |
| 5 | 138669 | | "ASM. ENGINE, BASE" |
| 6 | 74760616 | | BOLT |
| 7 | 8450J | | COUNTERWEIGHT CRT |
| 8 | 10040600 | | LOCKWASHER |
| 9 | 73220600 | | NUT.HEX.3/8-16UNC |
| 10 | 72140608 | | SUB= 72110608 |
| 11 | 4921H | | SPRING.RETAINER |
| 12 | 4929H | | RIVET.PAN HD.1.75 |
| 13 | 5015J | | TIRE TI |
| | 138417 | | RIM.16X4X8.WHT |
| | 795R | | SUB= 65139 |
| 14 | 72470636 | | BOLT CRT |
| 15 | 74760672 | | BOLT.3/8-16X4.5 |
| 16 | 104164X | | TIE CABLE CRT |
| 17 | | | REFER TO IMAGE |



8 HP 21" TILLER -- MODEL NUMBER CTJ800A

TINE ASSEMBLY



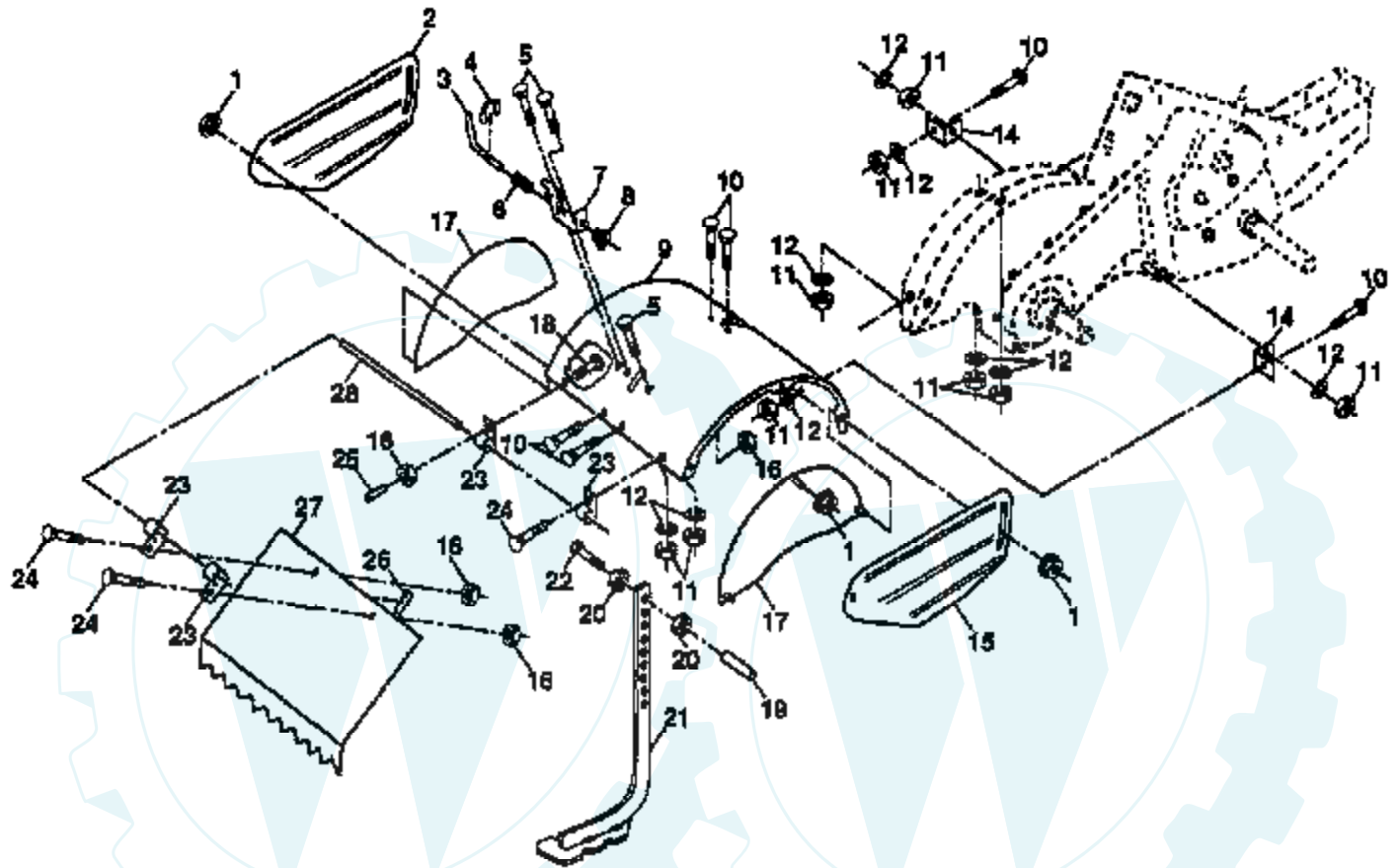
NOTE: All component dimensions given in U.S. inches.
1 inch = 25.4 mm

| Ref # | Part Number | Qty | Description |
|-------|-------------|-----|-------------------|
| 1 | 6556J | | SUB= 101194M |
| 2 | 100445L | | TINE ASSY CRT |
| 3 | 6557J | | SUB= 101193M |
| 4 | 101194M | | TINE.LH.CRT |
| 5 | 4929H | | RIVET.PAN HD.1.75 |
| 6 | 3146R | | RETAINER.SPRING |
| 7 | 10040600 | | LOCKWASHER |
| 8 | 101193M | | TINE RH CRT |
| 9 | 74610616 | | BOLT |
| 10 | 73610600 | | SUB= 7810H |
| 11 | 74610624 | | BOLT.3/8-24X1-1/2 |



8 HP 21" TILLER - - MODEL NUMBER CTJ800A

TINE SHIELD

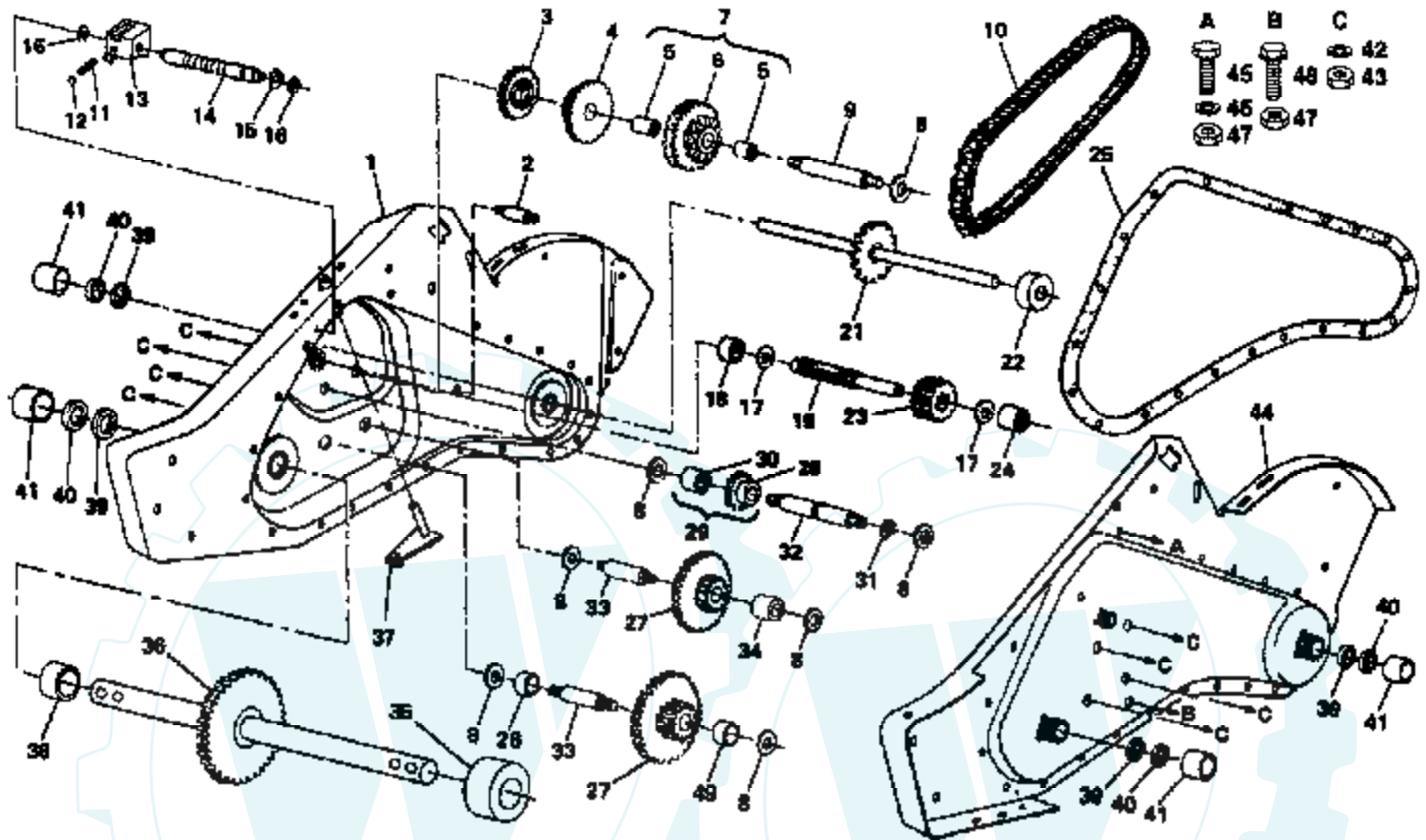


NOTE: All component dimensions given in U.S. inches.
1 inch = 25.4 mm

| Ref # | Part Number | Qty | Description |
|-------|-------------|-----|-------------------|
| 1 | 98000129 | | NUT |
| 2 | 108711X419 | | SHIELD.LH.OUT.SID |
| 3 | 8393J | | STAKE PIN TI |
| 4 | 12000036 | | KLIP RING TI |
| 5 | 72140508 | | BOLT |
| 6 | 8394J | | SPRING TI |
| 7 | 8392J | | LATCH BRACKET TI |
| 8 | 109230X | | SPRING CRT |
| 9 | 104178X419 | | SHIELD.TINE |
| 10 | 72140506 | | BOLT |
| 11 | 73220500 | | NUT.HEX.5/16-18 |
| 12 | 10040500 | | LOCKWASHER |
| 14 | 8386J | | TINE SHLD BRKT TI |
| 15 | 108710X419 | | SHIELD.RH.OUT.SID |
| 16 | 73680400 | | SUB= 73690400 |
| 17 | 104084X419 | | SHIELD.ASM.SIDE |
| 18 | 72040410 | | BOLT |
| 19 | 8389J | | GRIP TI |
| 20 | 73220600 | | NUT.HEX.3/8-16UNC |
| 21 | 138420 | | STAKE.ASM.DEPTH |
| 22 | 74930656 | | BOLT |
| 23 | 4440J | | HINGE CRT |
| 24 | 72140408 | | BOLT.1/4-20X1/2 |
| 25 | 6712J | | VINYL CAP TI |
| 26 | 109227X | | PAD IDLER TI |
| 27 | 102713X419 | | SHIELD.LEVELING |
| 28 | 138609 | | PIN.HINGE |

8 HP 21" TILLER -- MODEL NUMBER CTJ800A

TRANSMISSION



NOTE: All component dimensions given in U.S. inches
1 inch = 25.4 mm

| Ref # | Part Number | Qty | Description |
|-------|-------------|-----|-------------------|
| | 109330X | | SUB= 160370 |
| 1 | 106179X | | SUB= 150430 |
| 2 | 8370J | | BOLT TI |
| 3 | 8547J | | REVERSE GEAR TI |
| 4 | 8546J | | CLUSTER GEAR TI |
| 5 | 100413K | | "CRT, BEARING" |
| 6 | 674A291 | | SUB= 674A290 |
| 7 | 674A290 | | SPROCKET ASSY TI |
| 8 | 4358J | | WASHER |
| 9 | 8358J | | REDUCTION SHFT TI |
| 10 | 8371J | | CHAIN TI |
| 11 | 100371K | | SPRING-SHIFT CRT |
| 12 | 7392M | | SUB= 100482K |
| 13 | 8353J | | SHIFT FORK TI |
| 14 | 8354J | | SHIFT SHAFT TI |
| 15 | 12000039 | | KLIP RING |
| 16 | 4360J | | SUB= 102136X |
| 17 | 1370H | | "T, BEARING" |
| 18 | 4895H | | "TI, BEARING" |
| 19 | 100724M | | SHAFT INPUT T |
| 21 | 105378X | | SHAFT TINE CRT |
| 22 | 106181X | | SPACER CRT |
| 23 | 8359J | | INPUT PINION TI |
| 24 | 5020J | | NEEDLE BRNG LT |
| 25 | 8372J | | GEARCASE GSKT TI |
| 26 | 106389X | | SPACER CRT |
| 27 | 100433M | | GEAR CLUSTER CRT |
| 28 | 8357J | | REVERSE GEAR TI |
| 29 | 674A289 | | GEAR ASSY TI |
| 30 | 6803J | | NEEDLE BEARING TI |
| 31 | 12000040 | | KLIP RING |
| 32 | 8356J | | REVERSE SHAFT TI |
| 33 | 100016K | | SHAFT CRT |
| 34 | 106392X | | SPACER CRT |
| 35 | 106394X | | SPACER CRT |
| 36 | 100436L | | SHAFT ASSY CRT |
| 37 | 674A288 | | SUB= 142145 |
| 38 | 106393X | | SPACER CRT |
| 39 | 9674R | | SUB= 147344 |
| 40 | 9676R | | SUB= 147344 |
| 41 | 9672R | | CUP.FORMED. |
| 42 | 10040700 | | LOCKWASHER |
| 43 | 73610700 | | NUT.ASF.HEX.7/16 |
| 44 | 109332X | | SUB= 150417 |
| 45 | 74780512 | | BOLT |
| 46 | 10040500 | | LOCKWASHER |
| 47 | 73220500 | | NUT.HEX.5/16-18 |
| 48 | 100107K | | BOLT TI |
| 49 | 106391X | | SPACER CRT |
| | 6066J | | GREASE PREMIUM-1 |