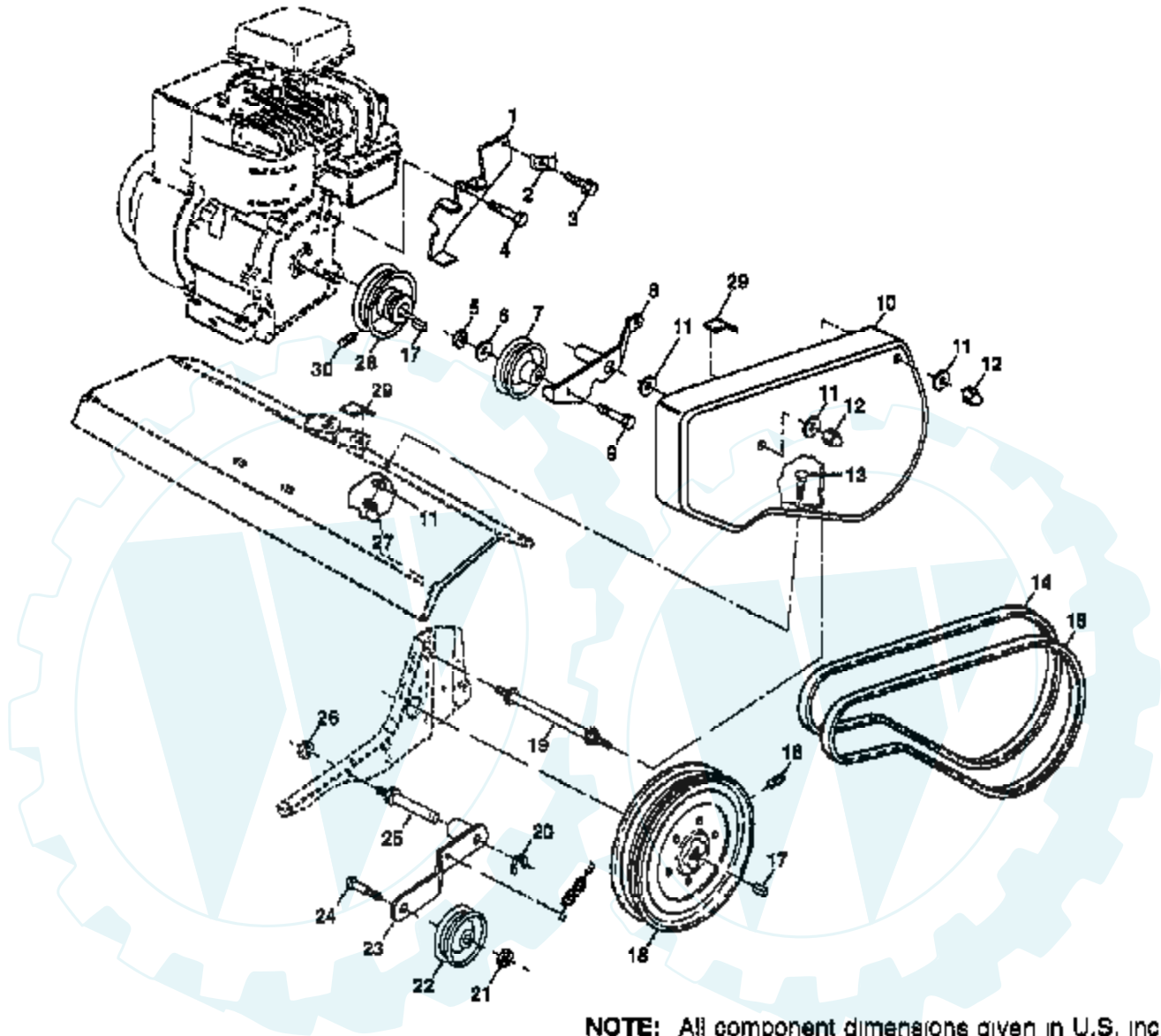


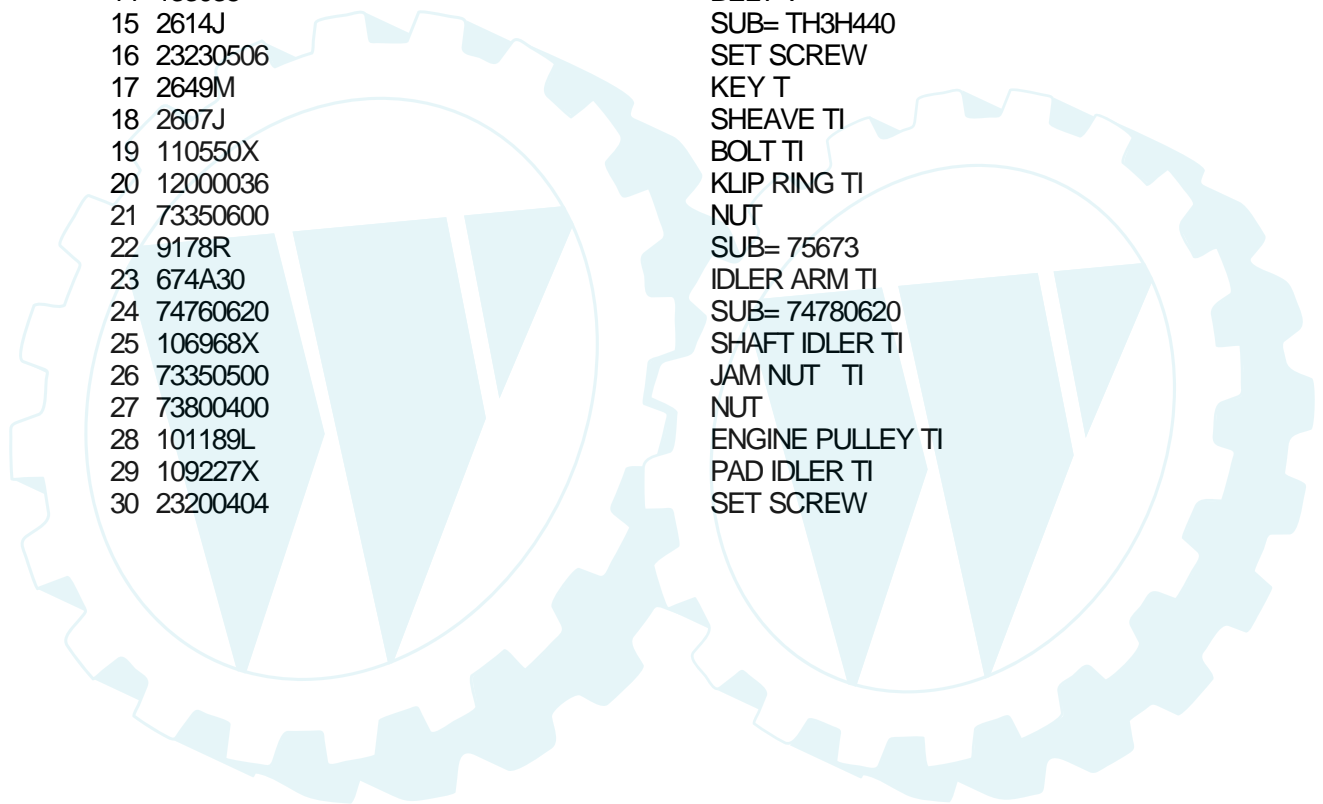
5 HP 24" TILLER - - MODEL NUMBER CTD550B

BELT GUARD AND PULLEY ASSEMBLY



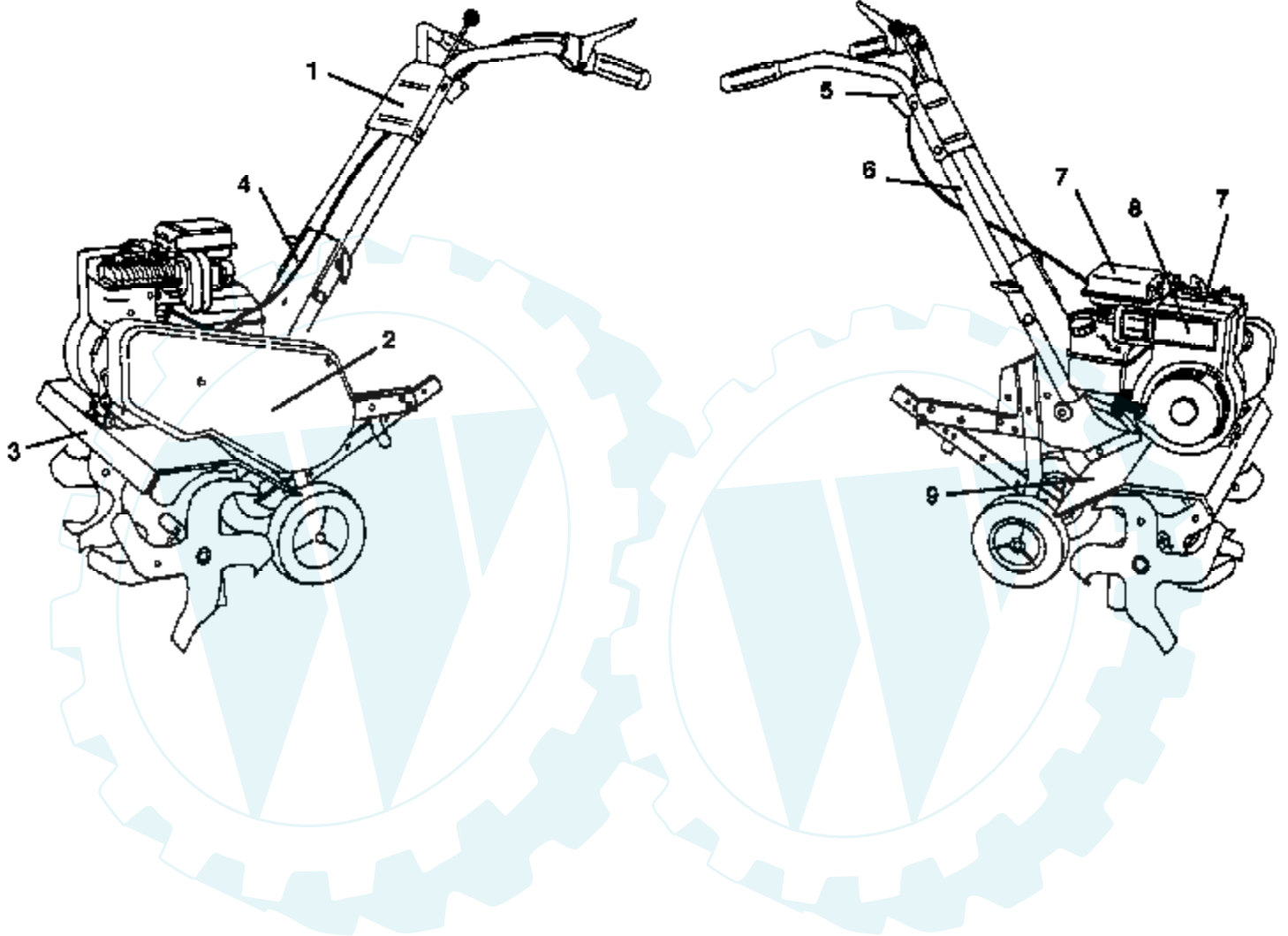
NOTE: All component dimensions given in U.S. inches.
1 inch = 25.4 mm

Ref #	Part Number	Qty	Description
1	123643X		SUB= 159268
2	9484R		CONDIUT CLIP T
3	86777		SUB= 750097
4	74770812		SCREW
5	73220600		NUT.HEX.3/8-16UNC
6	19131316		WASHER
7	2009J		PULLEY W/SPACER
8	127180X		ARM.ASM.REV.IDLER
9	74760628		BOLT
10	106970X419		SUB= 106970X366
11	19091016		WASHER
12	104213X		NUT-CAP TI
13	72140405		BOLT T
14	133035		BELT-V
15	2614J		SUB= TH3H440
16	23230506		SET SCREW
17	2649M		KEY T
18	2607J		SHEAVE TI
19	110550X		BOLT TI
20	12000036		KLIP RING TI
21	73350600		NUT
22	9178R		SUB= 75673
23	674A30		IDLER ARM TI
24	74760620		SUB= 74780620
25	106968X		SHAFT IDLER TI
26	73350500		JAM NUT TI
27	73800400		NUT
28	101189L		ENGINE PULLEY TI
29	109227X		PAD IDLER TI
30	23200404		SET SCREW



5 HP 24" TILLER - - MODEL NUMBER CTD550B

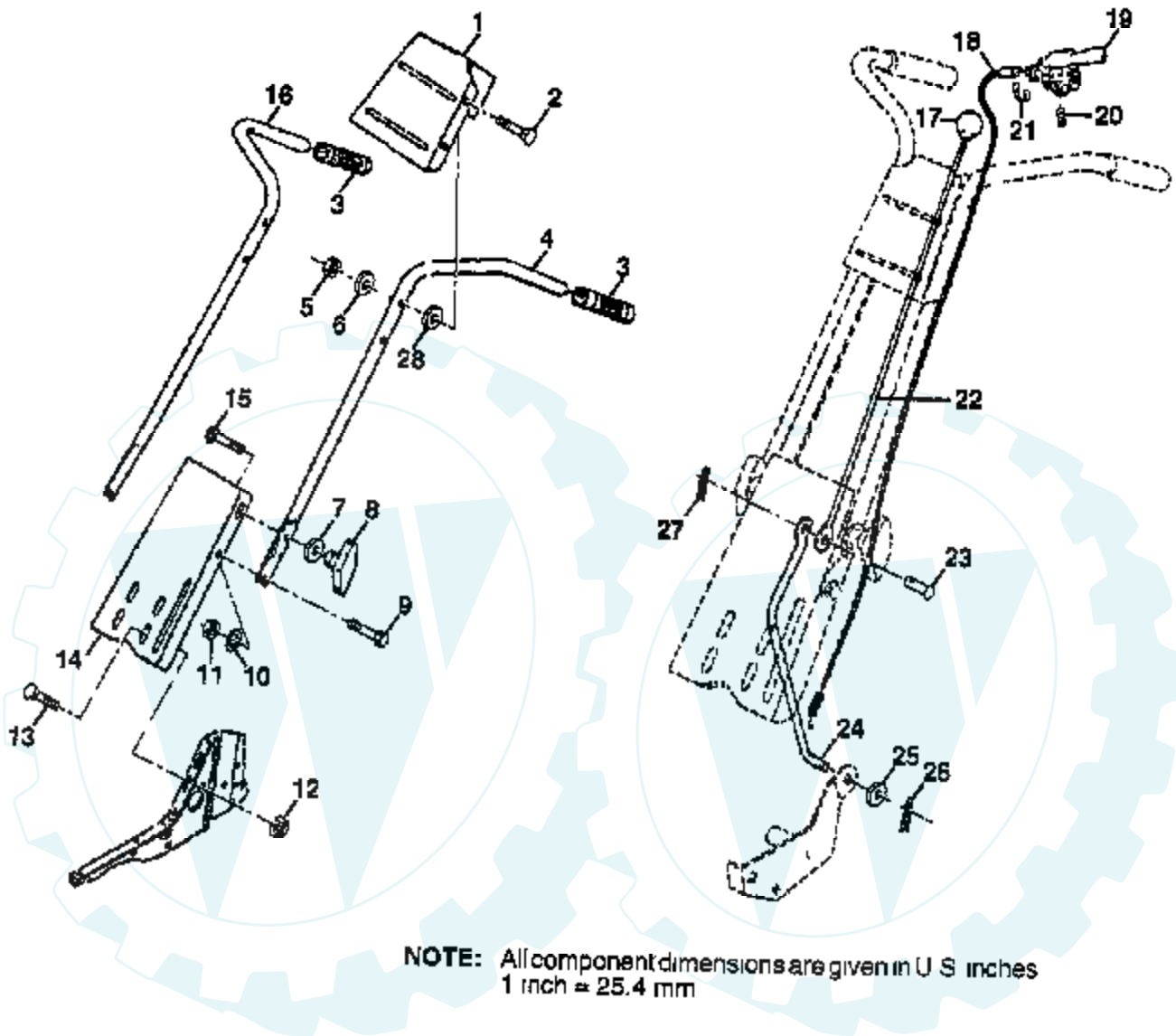
DECALS



Ref #	Part Number	Qty	Description
1	138104		DECAL PNL CNTL
2	138181		DECAL GUARD BELT
3	127185X		DECAL TINE SHIELD
4	138180		DECAL REV
5	121753X		DECAL REVERSE
6	120431X		DECAL TI
7	110593X		SUB= 121858X
8	121543X		SUB= 271948
9	120075X		DECAL TI
	141646		MANUAL.O.FY850B E
	141647		OWNER'S MANUAL (FRENCH)



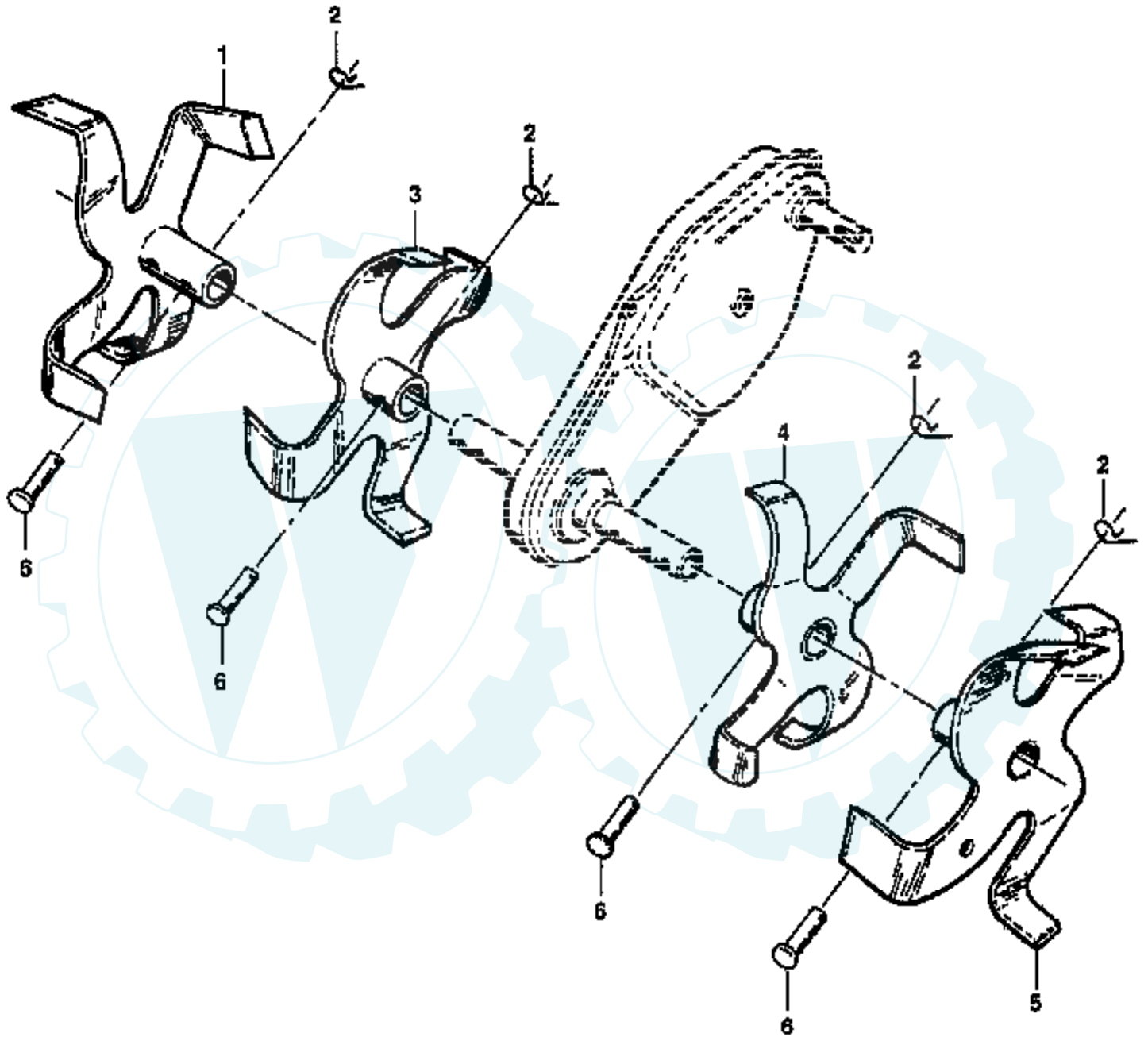
5 HP 24" TILLER - - MODEL NUMBER CTD550B HANDLE ASSEMBLY



Ref #	Part Number	Qty	Description
1	131268X419		HANDLE BRACKET
2	72140512		BOLT
3	140536		GRIP NUB DOUBLE
4	2623J500		HANDLE PNT LH
5	73680500		SUB= 73690500
6	19111116		WASHER
7	19121414		WASHER
8	136376		KNOB HANDLE
9	471J		BOLT CT
10	10040500		LOCKWASHER
11	73220500		NUT.HEX.5/16-18
12	98000129		NUT
13	72140506		BOLT
14	674A150419		SUB= 674A150366
15	72110510		BOLT
16	2624J500		HANDLE PNT RH
17	106932X		KNOB T(3/8 HOLE)
18	3066J		CABLE CLUTCH T
19	2635J		CONTROL LEVER TI
20	23200405		SCREW
21	12000027		E-RING
22	101248K		ROD REVERSE TI
23	1778E		RIVET.RD.HD.DRILL
24	2613J		REVERSE ROD TI
25	19131316		WASHER
26	76020412		COTTER PIN
27	76020308		SUB= 3145
28	19131312		WASHER

5 HP 24" TILLER - - MODEL NUMBER CTD550B

TINE ASSEMBLY

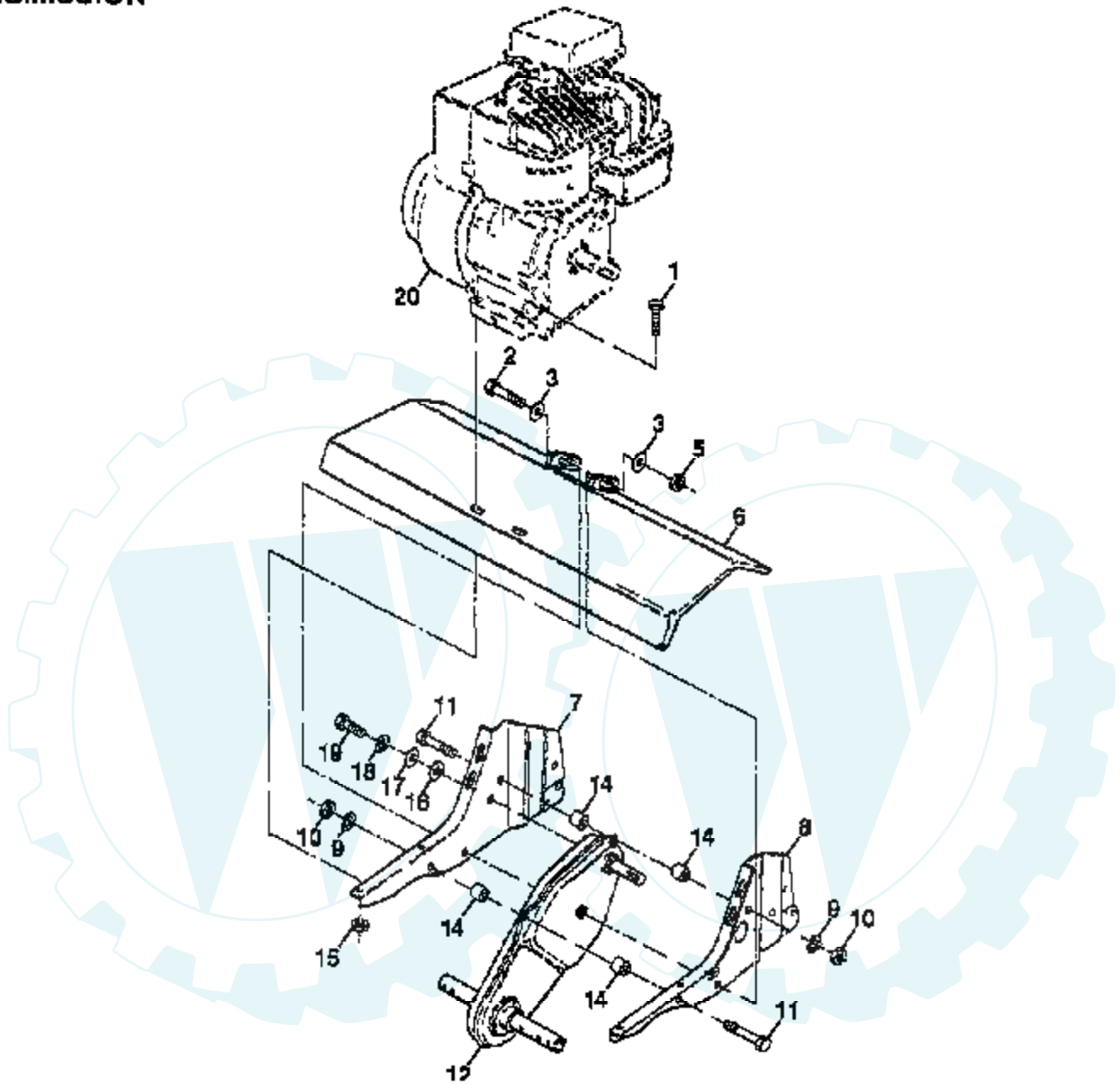


Ref #	Part Number	Qty	Description
1	674A66		TINE OUTER RH T
2	3146R		RETAINER.SPRING
3	674A64		SUB= 156924
4	674A63		TINE.INNER.LH
5	674A65		TINE.OUTER.LH.T
6	4929H		RIVET.PAN HD.1.75



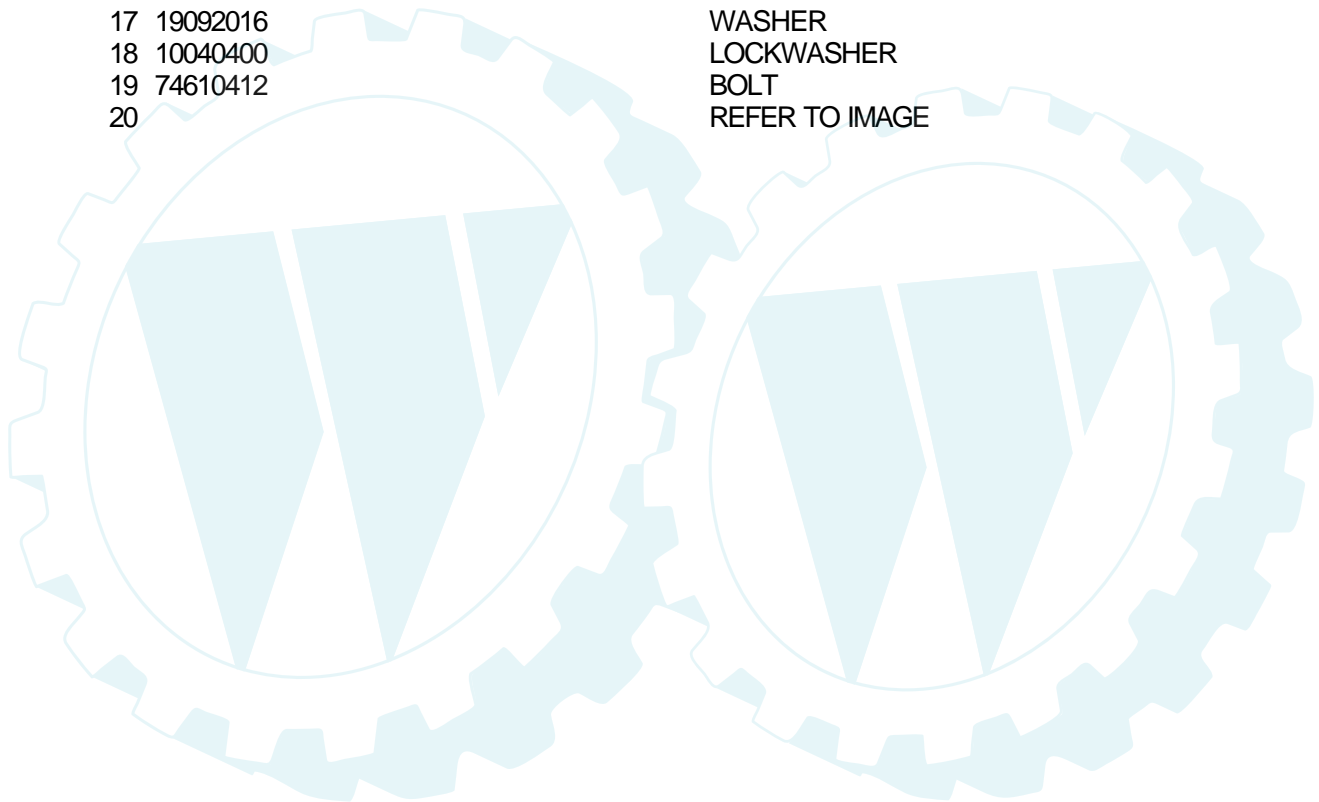
5 HP 24" TILLER - - MODEL NUMBER CTD550B

TRANSMISSION

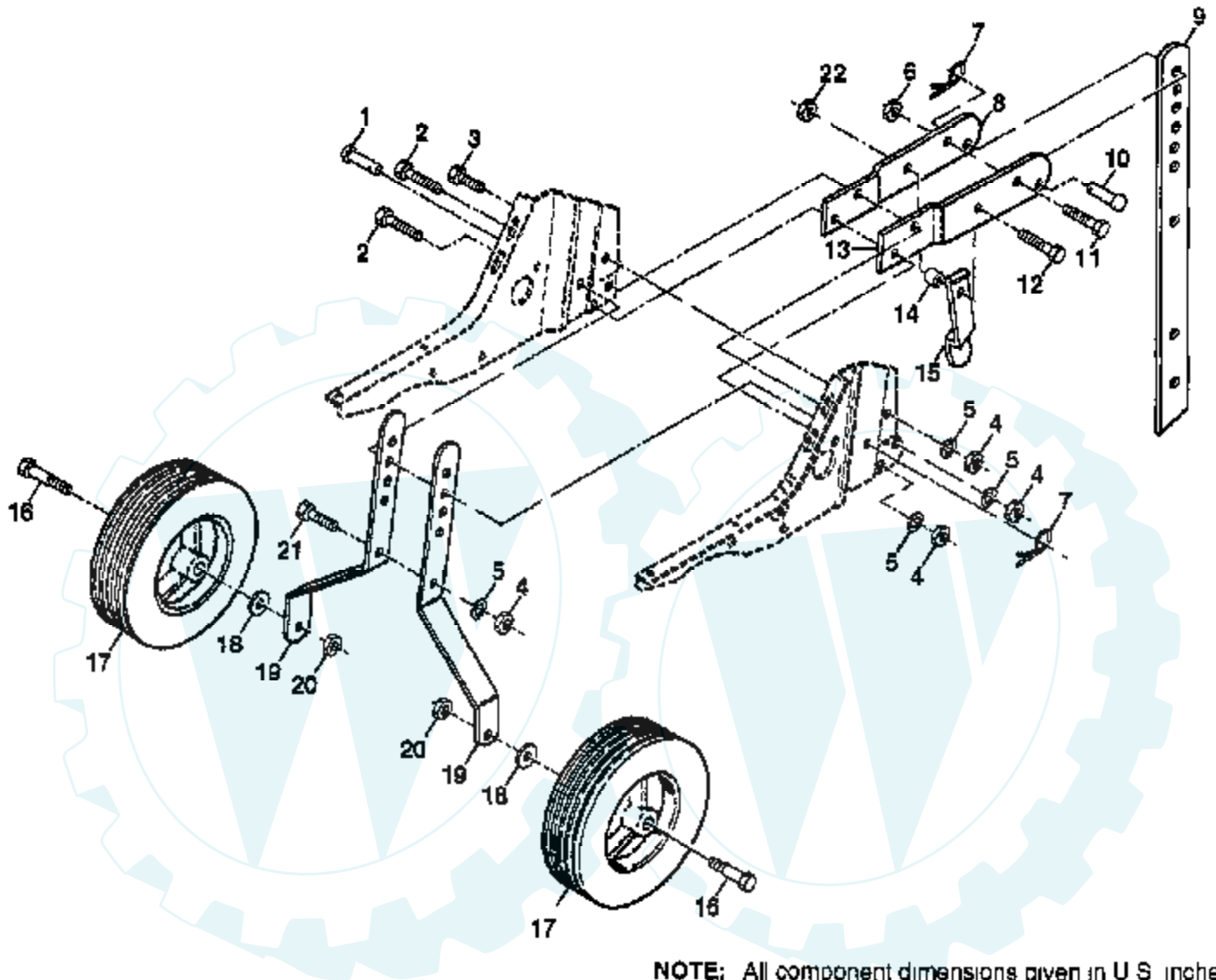


NOTE: All component dimensions given in U S inches
1 inch = 25.4 mm

Ref #	Part Number	Qty	Description
1	74760524		BOLT.HEX.5/16-1.5
2	74780652		BOLT HEX 3/8-16
3	19131311		WASHER
5	73800600		NUT
6	9056R419		TINE SHIELD
7	1949J500		SUB= 9181949J500
8	110519X500		SUB= 110519X
9	10040500		LOCKWASHER
10	73220500		NUT.HEX.5/16-18
11	74760544		SUB= 74780544
12	126669X		SUB= 532126669
14	9173R		SPLIT SPACER RT
15	73510500		NUT
16	19091412		WASHER
17	19092016		WASHER
18	10040400		LOCKWASHER
19	74610412		BOLT
20			REFER TO IMAGE



5 HP 24" TILLER - - MODEL NUMBER CTD550B WHEEL AND DEPTH STAKE ASSEMBLY



NOTE: All component dimensions given in U S inches
1 inch = 25.4 mm

Ref #	Part Number	Qty	Description
1	9194R		DRILLED RIVET RT
2	74760520		BOLT
3	74760512		BOLT
4	73220500		NUT.HEX.5/16-18
5	10040500		LOCKWASHER
6	73800600		NUT
7	4921H		SPRING.RETAINER
8	1952J500		SUPPORT STAKE RH
9	122233X		SUB= 2582J
10	326J		SUB= 4929H
11	74780628		BOLT
12	74760524		BOLT.HEX.5/16-1.5
13	1951J500		SUPPORT STAKE LH
14	120958X		WASHER
15	5388J		STAKE SPRING TI
16	121117X		BOLT SHOULDER
17	9188R		SUB= 107644X
18	19131311		WASHER
19	9190R500		BRACKET.WHL.PNT.
20	73680600		SUB= 73690600
21	74760516		SUB= 77394
22	73800500		NUT

