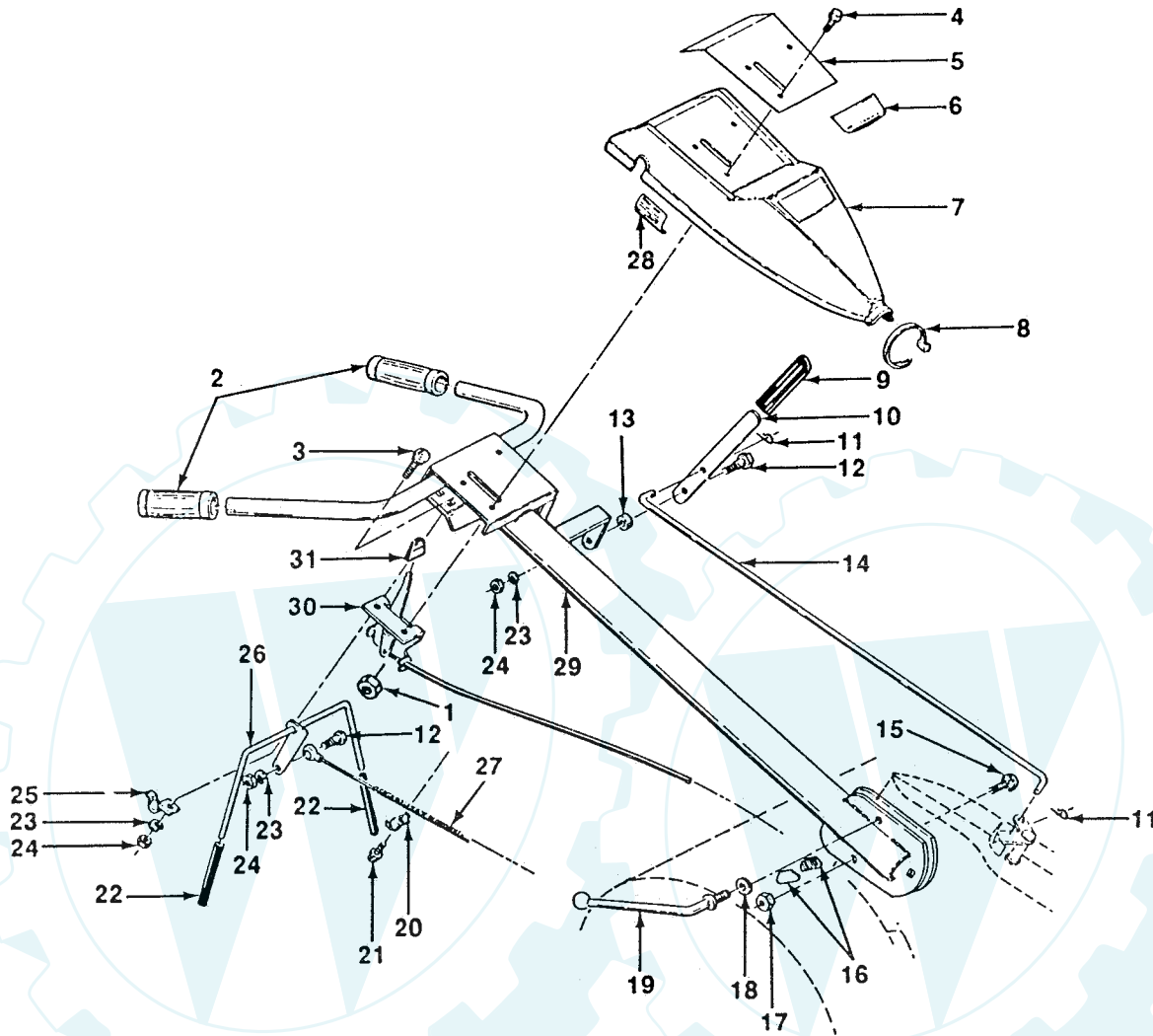


VI. REPAIR PARTS

Detail "A" - Handle Assembly

5 H.P. CRT 17" TILLER



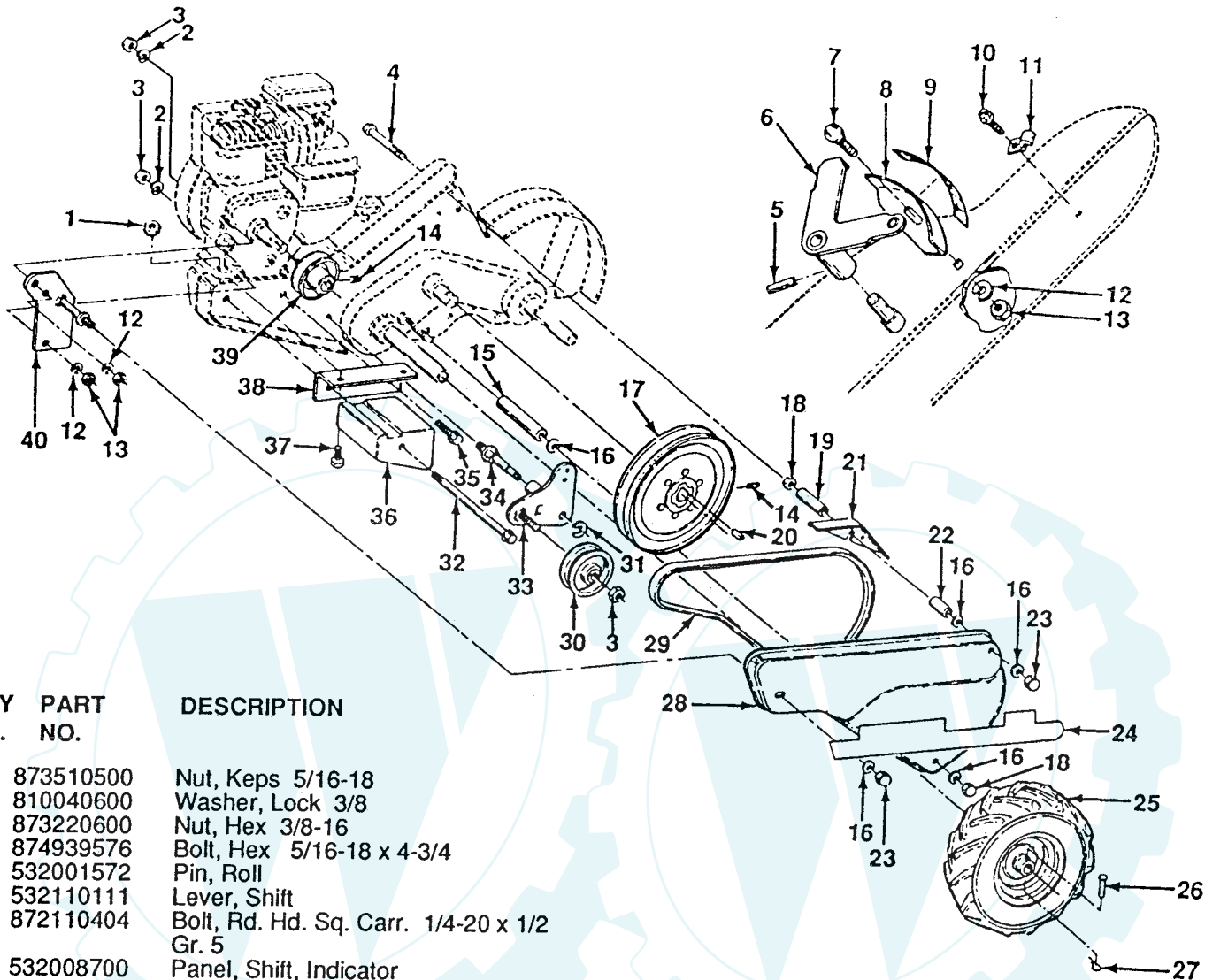
KEY PART NO.	NO.	DESCRIPTION
1	873731000	Nut, Keps #10-24
2	532009266	Grip, Handle
3	872140404	Bolt, Carriage 1/4-20 x 1/2 Gr. 5
4	871901008	Screw, Mach, Pan HD CR #10 24 x 1/2
5	532104322	Decal, Instruction
6	532124164	Decal, Control Panel
7	532124266	Panel, Control
8	532104164	Tie, Cable
9	532124797	Grip, Handle
10	532109335	Handle, Shift
11	532124788	Clip, Hairpin
12	532081328	Bolt, Shoulder
13	532109313	Grommet, Rubber
14	532109337	Rod, Shift
15	872110608	Bolt, Carriage 3/8-16 x 1 Gr. 5
16	532109229	Lock, Handle
17	532005394	Nut 3/8-16
18	819131611	Washer 13/32 x 1 x 11 Ga.

KEY PART NO.	NO.	DESCRIPTION
19	532109228	Lever, Lock, Handle
20	532009484	Clip
21	532086777	Screw, Hex, Washer Hd. Slotted No. 10-24 x 1/2
22	532101604	Grip, Bar, Control
23	810040400	Washer, Lock 1/4
24	873220400	Nut, Hex 1/4-20
25	532102744	Clamp, Bar, Control
26	532105216	Bar, Assembly, Control
27	532102162	Cable, Clutch
28	532110614	Decal, Hand Placement
29	532124735	Handle
30	532110670	Control, Throttle
31	532110680	Knob, Control
---	532124268	Operators Manual (English)
---	532124269	Operators Manual (French)
	532126920	Parts Manual (English)
	532126921	Parts Manual (French)

VI. REPAIR PARTS

Mainframe, Left Side

5 H.P. CRT 17" TILLER



KEY PART NO. NO.

DESCRIPTION

1	873510500	Nut, Keps 5/16-18
2	810040600	Washer, Lock 3/8
3	873220600	Nut, Hex 3/8-16
4	874939576	Bolt, Hex 5/16-18 x 4-3/4
5	532001572	Pin, Roll
6	532110111	Lever, Shift
7	872110404	Bolt, Rd. Hd. Sq. Carr. 1/4-20 x 1/2 Gr. 5
8	532008700	Panel, Shift, Indicator
9	532104323	Decal, Shift, Indicator
10	532086777	Screw, Hex, Washer Head, Slotted #10-24 x 1/2
11	532009484	Clip
12	810040400	Washer, Lock 1/4
13	873220400	Nut, Hex 1/4-20
14	823230506	Screw, Set Hex 5/16-18 x 3/8
15	532120938	Spacer, Split 0.327 x 0.42 x 2.68
16	819111116	Washer 11/32 x 11/16 x 16 Ga.
17	532100473	Sheave, Transmission
18	873220500	Nut, Hex 5/16-18
19	532110651	Spacer, Split 0.327 x 0.42 x 1.75
20	532002649	Key, Square 3/16 x 1-1/8
21	532110653	Guard, Pinch Point
22	532110652	Spacer, Split 0.327 x 0.42 x 2.09
23	532104214	Nut, Cap 5/16-18
24	532124265	Decal, Belt Guard
25	532102190	Tire

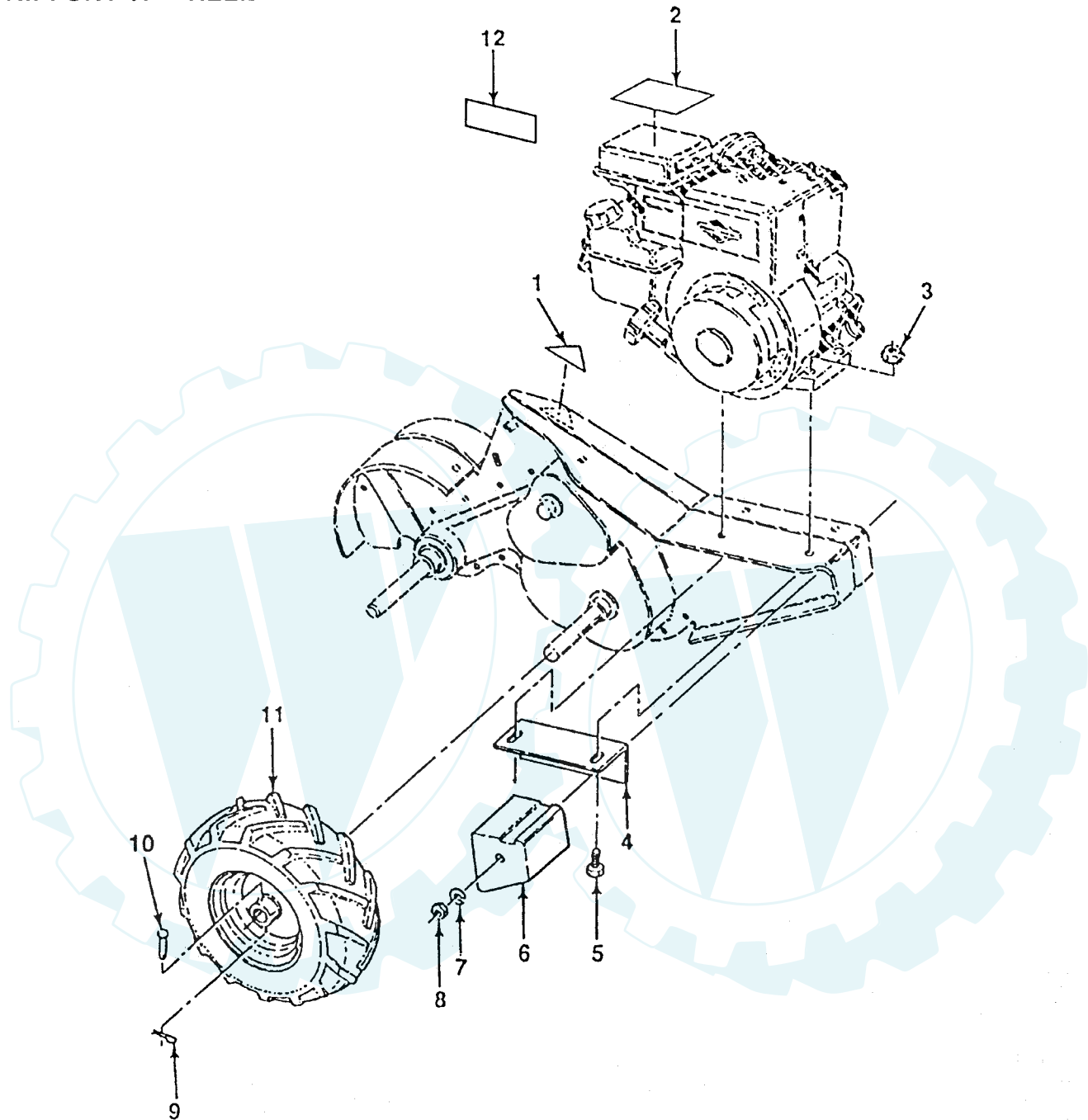
KEY PART NO. NO. DESCRIPTION

26	532126875	Rivet, Drilled
27	532124788	Clip, Haripin
28	532124774	Guard, Belt
29	532102143	Belt, V
30	532104679	Pulley, Idler
31	812000032	Ring, Klip
32	532102384	Bolt, Hex 5/16-16 x 12 Ga/
33	532105611	Bracket, Idler
34	532102141	Shaft, Idler Arm
35	874760616	Bolt, Hex 3/8-16 x 1
36	532102383	Counterweight, L.H.
37	874760524	Bolt, Hex 5/16-18 x 1-1/2
38	532101331	Bracket, Reinforcement, L.H.
39	532102142	Sheave, Engine
40	532102376	Bracket, Guard Belt

VI. REPAIR PARTS

Mainframe, Right Side

5 H.P. CRT 17" TILLER



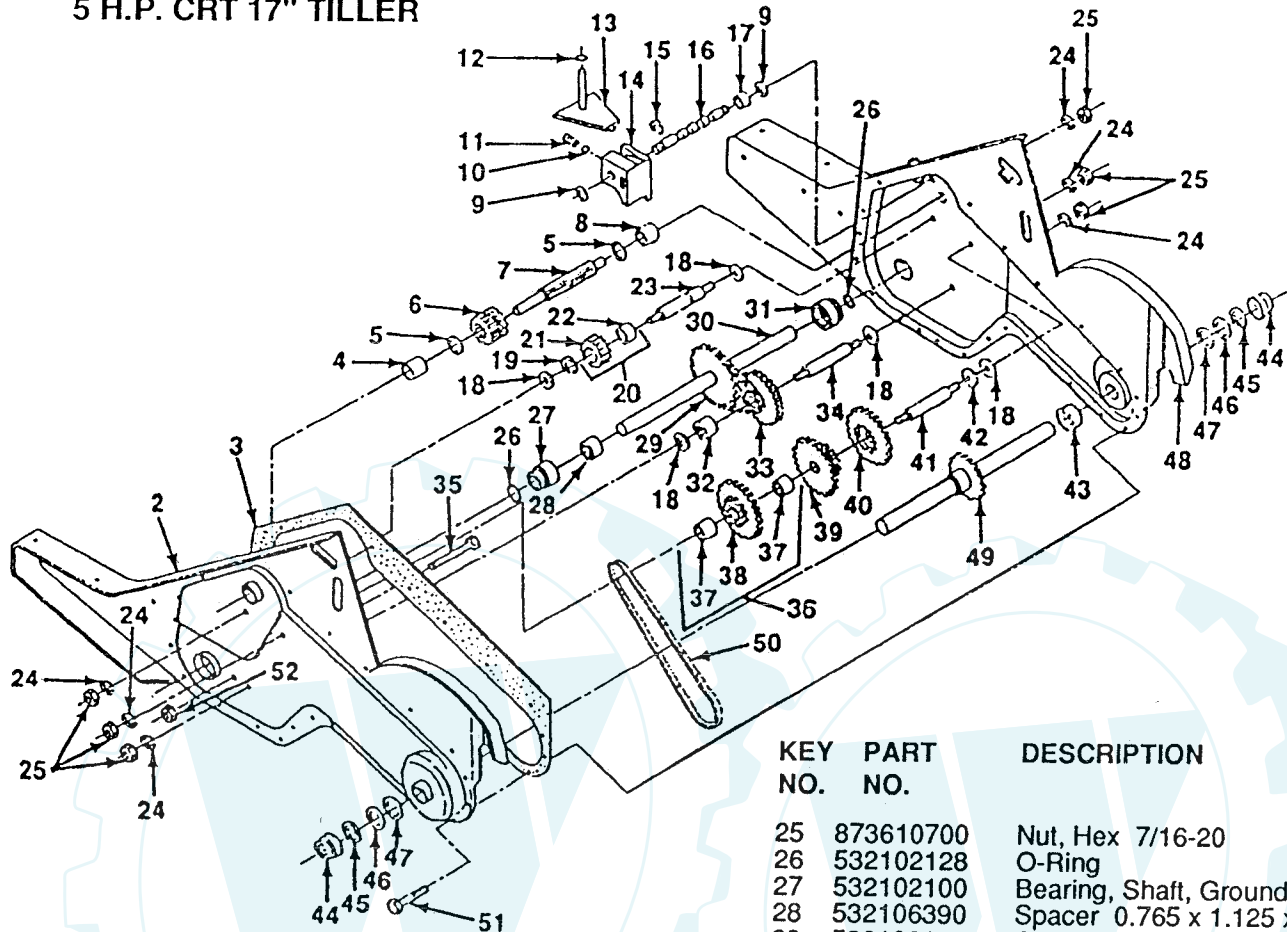
KEY NO.	PART NO.	DESCRIPTION
1	-----	Decal, O.P.E.I.
2	532110612	Decal, Caution
3	873510500	Nut, Keps 5/16-18
4	532102332	Bracket, Reinforcement
5	874760524	Bolt, Hex 5/16-18 x 1-1/2
6	532102173	Counter Weight, R.H.
7	810040600	Washer, Lock 3/8
8	873220600	Nut, Hex 3/8-16

KEY NO.	PART NO.	DESCRIPTION
9	532124788	Clip, Hairpin
10	532126875	Rivet, Drilled
11	532102190	Tire
	532124258	Rim
	532124718	Tire Valve
12	532121543	Decal, Engine

VI. REPAIR PARTS

Transmission

5 H.P. CRT 17" TILLER



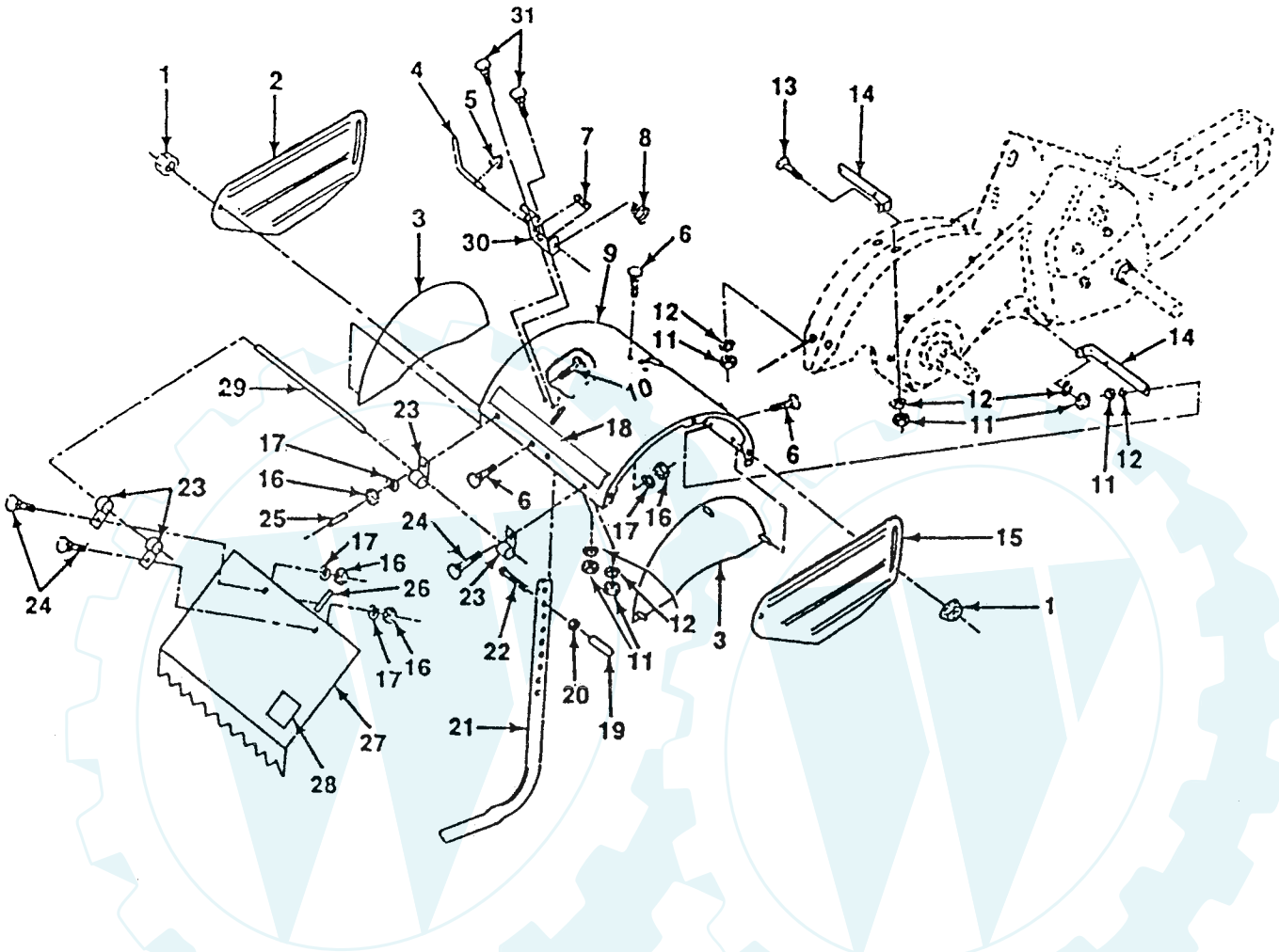
KEY NO.	PART NO.	DESCRIPTION
1	532121146	Transmission Assembly (Inc. key 2-52)
2	532121147	Gearcase, L.H. w/Bearing (Inc. key 4)
3	532106211	Gasket, Gearcase
4	532005020	Bearing, Needle
5	532001270	Washer, Thrust 5/8 x 1.10 x 1/32
6	532102113	Pinion, Input
7	532102110	Shaft, Input
8	532124792	Bearing, Needle
9	532102136	Washer, Seal
10	532124697	Ball, Steel
11	532100371	Spring, Shift, Fork
12	532106160	O-ring
13	532102107	Arm, Shift
14	532008353	Fork, Shift
15	812000039	Ring, Klip
16	532102109	Shaft, Shift
17	532104159	Spacer, Split
18	532004358	Washer
19	812000040	Ring, Klip
20	532102114	Gear, Assembly, Reverse Idler (Inc. key 21 & 22)
21	532102115	Gear, Reverse Idler
22	532006803	Bearing, Needle
23	532102111	Shaft, Reverse Idler
24	810040700	Washer, Lock 7/16

KEY NO.	PART NO.	DESCRIPTION
25	873610700	Nut, Hex 7/16-20
26	532102128	O-Ring
27	532102100	Bearing, Shaft, Ground Drive
28	532106390	Spacer 0.765 x 1.125 x 1.23
29	532102134	Chain #35-50 Pitch
30	532109204	Ground Shaft Assembly
31	532102106	Bearing, Shaft, Ground Drive
32	532106388	Spacer 0.70 x 1.00 x 1.150
33	532102121	Sprocket and Gear Assembly
34	532102112	Shaft, Reduction (2nd)
35	532102101	Screw, Whiz, Lock 5/16-18 x 3/12
36	532106141	Sprocket Assembly w/Bearing (Inc. key 37 & 38)
37	532124791	Bearing, Needle
38	532106142	Sprocket, Tine
39	532105345	Gear, Cluster, Red 1st & 2nd
40	532105346	Gear, Reverse
41	532008358	Shaft, Reduction (1st)
42	532004220	Washer, Thrust
43	532106146	Spacer 1.01 x 1.75 x 0.760
44	532009672	Cup, Formed
45	532102144	Ring, Spiral
46	532009676	Seal, Ring, Rubber
47	532009674	Seal, Oil
48	532121745	Gearcase, R.H. w/Bearing (Inc. key 8)
49	532106144	Shaft, Tine
50	532106147	Chain, Roller #50-50 Pitch
51	817580408	Screw 1/4-20 x 1/2
52	873220500	Nut, Hex 5/16-18
53	532006066	Grease, Plastilube #1

VI. REPAIR PARTS

Tine Shield

5 H.P. CRT 17" TILLER



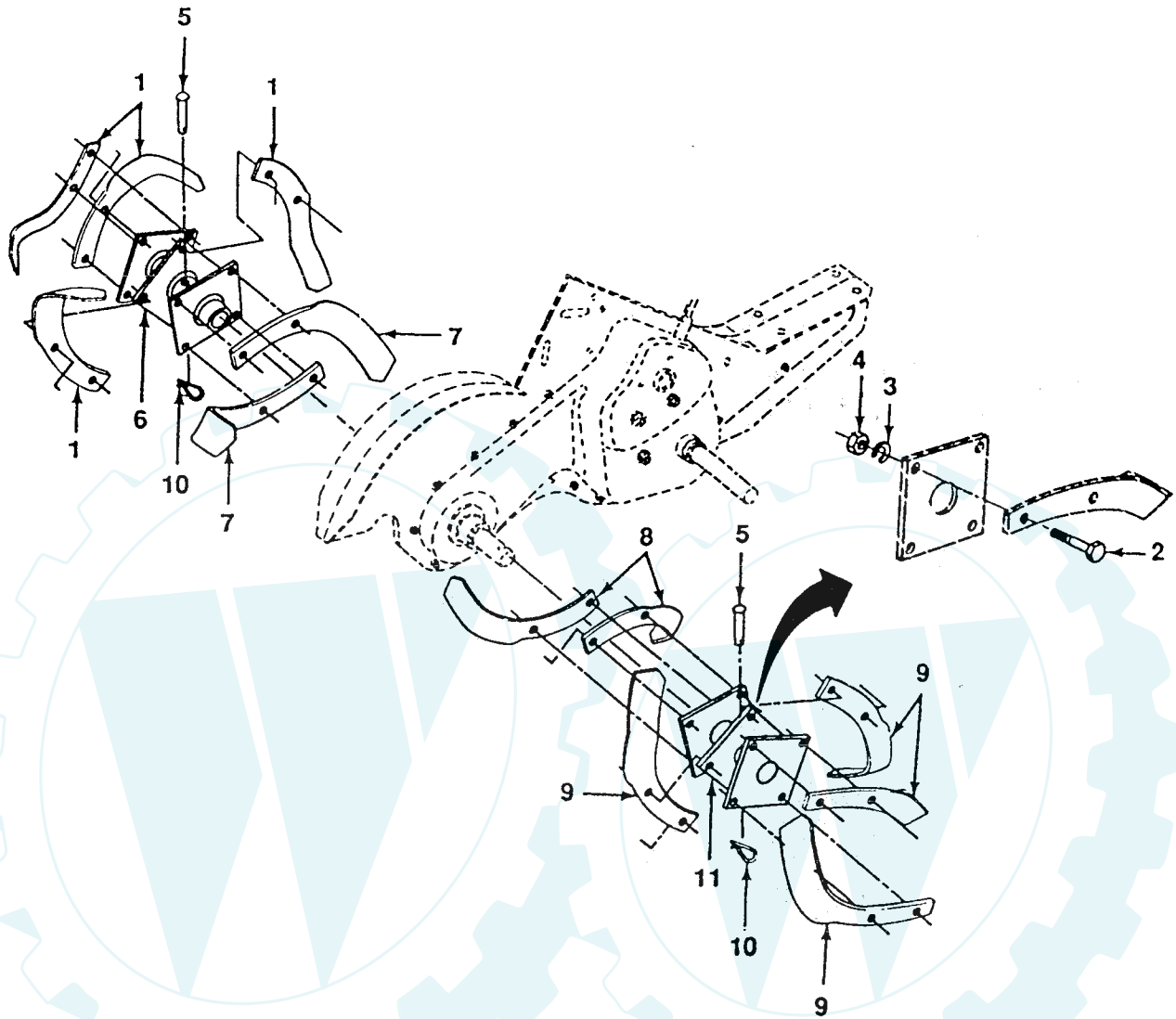
KEY NO.	PART NO.	DESCRIPTION
1	898000129	Nut, Flange 5/16-18
2	532124786	Shield, Side Outer, L.H.
3	532124785	Shield, Side
4	532008393	Pin, Stake Depth
5	812000036	Ring, Klip
6	872140506	Bolt, Carriage 5/16-18 x 3/4 Gr. 5
7	532008394	Spring
8	532109230	Spring, Depth Stake
9	532124775	Shield, Tine
10	872040410	Bolt, Carriage 1/4-20 x 1-1/4 Gr. 5
11	810040500	Nut, Hex 5/16-18
12	873220500	Washer, Lock 5/16
13	872110510	Bolt, Carriage 5/16-18 x 1-1/4
14	532124343	Bracket, Shield Tine
15	532124787	Shield, Side Outer, R.H.
16	873220400	Nut, Hex 1/4-20

KEY NO.	PART NO.	DESCRIPTION
17	810040400	Washer, Lock 1/4
18	532124263	Decal, Tine Shield
19	532102701	Grip
20	873220600	Nut, Hex 3/8-16
21	532102156	Stake, Depth
22	874730632	Bolt, Hex 3/8-16 x 2
23	532004440	Hinge
24	872140404	Bolt, Carriage 1/4-20 x 1/2 Gr. 5
25	532124717	Cap, Vinyl
26	532109227	Pad, Idler
27	532124784	Shield, Leveling
28	532120076	Decal, Warning
29	532120588	Pin, Hinge
30	532008392	Bracket, Latch
31	872110508	Bolt, Carriage 5/16-18 x 1

VI. REPAIR PARTS

Tines

5 H.P. CRT 17" TILLER



KEY PART NO.	PART NO.	DESCRIPTION
1	532004459	Tine, L.H. Outer
2	874610616	Bolt, Hex 3/8-24 x 1
3	810040600	Washer, Lock 3/8
4	873610600	Nut, Hex 3/8-24
5	532004929	Clevis Pin
6	532102380	Hub and Plate Assembly, L.H.

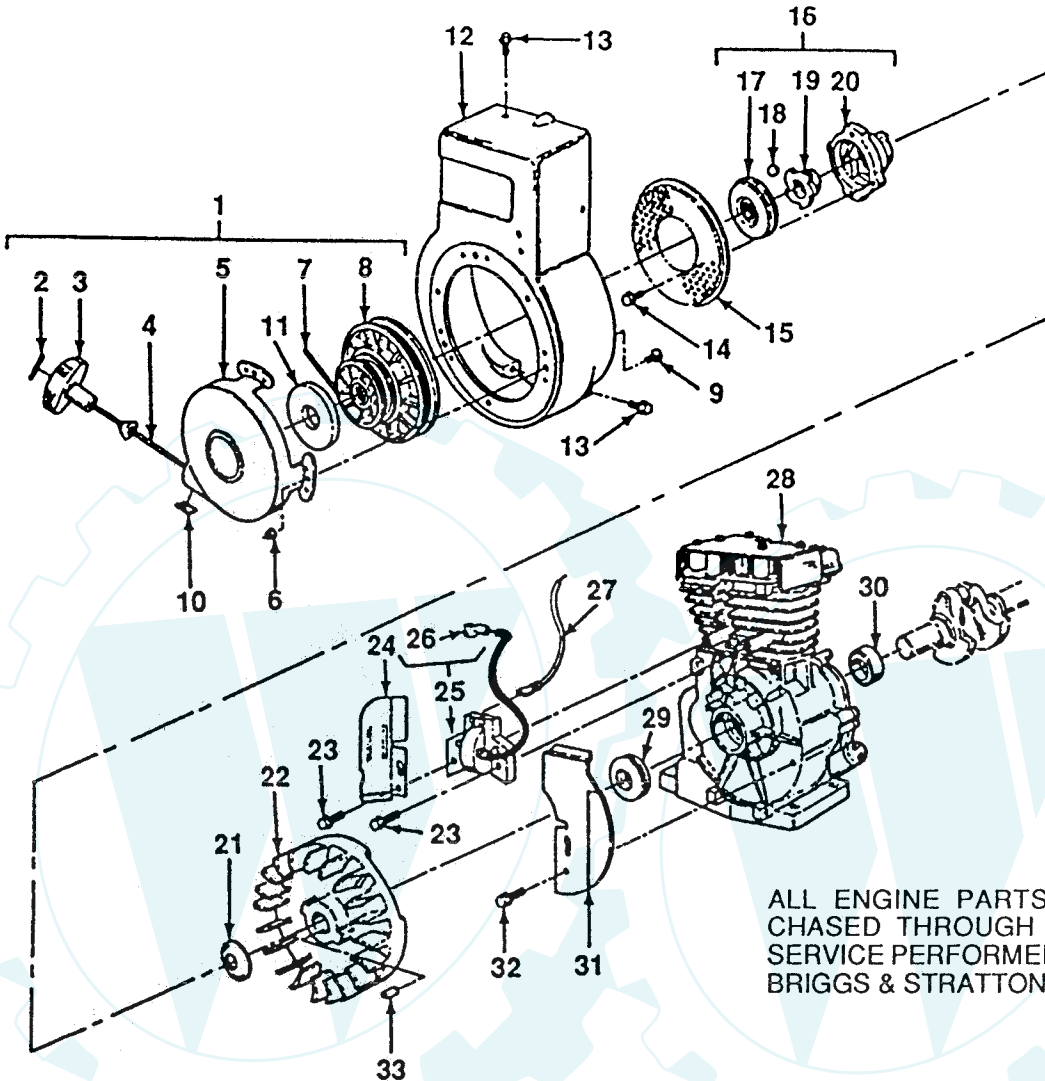
KEY PART NO.	PART NO.	DESCRIPTION
7	532006554	Tine, L.H. Inner
8	532006555	Tine, R.H. Inner
9	532004460	Tine, R.H. Outer
10	532003246	Clip, Hairpin
11	532102382	Hub and Plate Assembly, R.H.

VI. REPAIR PARTS

ENGINE, RIGHT SIDE

5 H.P. CRT 17" TILLER

ENGINE - BRIGGS & STRATTON -- MODEL NUMBER 130202, TYPE NUMBER 3129-01



ALL ENGINE PARTS MUST BE PURCHASED THROUGH AND WARRANTY SERVICE PERFORMED BY YOUR LOCAL BRIGGS & STRATTON DEALER.

KEY NO.	PART NO.	DESCRIPTION
1	390463	Starter Assembly, Rewind (Inc. Key No's 2-9)
2	230228	Pin, Starter Grip
3	66728	Grip, Starter Rope (Inc. Key No. 2)
4	66884	Rope, Starter 63" Long
5	299431	Housing, Starter (Inc. Key No's 6 and 9)
6	92987	Nut, Hex
7	490179	Spring, Starter
8	295871	Pulley, Starter (Inc. Key No. 4)
9	94128	Screw, Starter Housing Mounting
10	222598	Anchor, Spring
11	490817	Spacer
12	490169	Housing, Blower
13	93158	Screw, Blower Housing Mounting
14	93490	Screw, Sem
15	221923	Screen, Starter Pulley
16	399671	Clutch Assembly (Inc. Key No's 17-20)
17	394506	Washer, Clutch Retainer
18	63770	Ball, Clutch

KEY NO.	PART NO.	DESCRIPTION
19	298799	Ratchet
20	394897	Housing, Starter Clutch
21	220865	Washer, Spring
22	297229	Flywheel, Magneto
23	93414	Screw, Armature Mtg. Sem
24	223886	Guide, Air
25	397358	Armature Assembly (Inc. Key No. 26)
26	221798	Cable, Terminal Ignition
27	398808	Wire, Ground
28	395990	Cylinder Assembly (Inc. Key No. 29)
29	299819	Seal, Oil
30	297565	* Bushing, Cylinder (Inc. Key No. 29)
31	222443	Guard, Flywheel
32	93705	Screw, Flywheel Guard
33	222698	Key, Flywheel

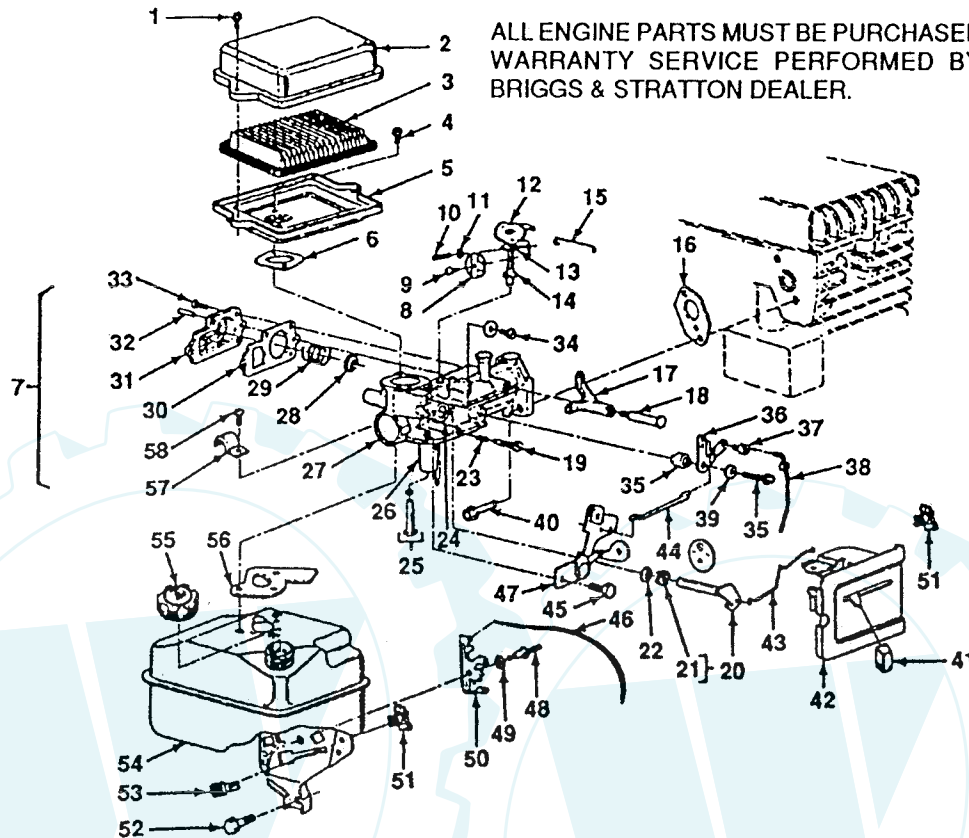
* REQUIRES SPECIAL TOOLS TO INSTALL

VI. REPAIR PARTS

ENGINE, REAR

5 H.P. CRT 17" TILLER

ENGINE - BRIGGS & STRATTON -- MODEL NUMBER 130202, TYPE NUMBER 3129-01



ALL ENGINE PARTS MUST BE PURCHASED THROUGH AND WARRANTY SERVICE PERFORMED BY YOUR LOCAL BRIGGS & STRATTON DEALER.

KEY NO.	PART NO.	DESCRIPTION	KEY NO.	PART NO.	DESCRIPTION
1	490073	Screw, Cover Mounting	32	93265	Pin, Diaphragm Cover
2	223765	Cover, Air Cleaner	33	93141	Screw, Diaphragm Cover
3	399959	Filter, Air	34	93543	Screw, Fil. Hd.
4	94018	Screw, Air Cleaner	35	490589	Screw and Collar
5	490074	Base, Air Cleaner	36	223813	Crank, Bell
6	271935	** Gasket, Air Cleaner Mtg.	37	490507	Retainer, Rod
7	492611	Carburetor Assembly (Inc. Key No's 8 thru 33)	38	262279	Rod, Control
8	223793	Throttle, Carburetor	39	220982	Washer
9	93499	Screw, Throttle Valve to Shaft Sem	40	93357	Screw, Hex Hd.
10	93527	Screw, Machine	41	280715	Knob, Control
11	260575	Spring, Throttle Adjustment	42	490649	Control Panel (Inc. Key No's 37, 41, and 51)
12	490048	Shaft and Lever, Throttle	43	262359	Link, Choke
13	271853	Washer, Throttle Shaft (Foam)	44	262470	Link, Throttle
14	398970	Seal, Throttle Shaft	45	93572	Screw
15	262270	Link, Throttle	46	262282	Spring, Governor
16	271936	** Gasket, Carburetor Mtg. (2)	47	491577	Control, Throttle
17	280720	Crank, Bell	48	93491	Rivet, Governor Control Lever Mtg.
18	231520	Screw, Shoulder	49	222962	Bushing, Governor Lever (Flat)
19	231533	Valve, Needle	50	223455	Lever, Governor Control
20	491177	Valve, Group, Choke (Inc. Key No's 21 and 22)	51	396847	Switch, Stop
21	270382	Washer, Choke Shaft (Felt)	52	94409	Screw, Tank Bracket Mtg. Sem
22	221839	Washer, Choke Shaft	53	280321	Gear Rack, Governor
23	26336	Spring, Needle Valve	54	490554	Tank, Fuel (Inc. Key No's 48, 49, 50, and 55)
24	223789	Plug, Welch	55	490075	Cap, Fuel Tank
25	391813	Fuel Pipe and Clip	56	271928	** Gasket, Fuel Tank Mounting
27	220352	Plug, Welch	57	223786	Clamp, Breather Tube
28	221377	Cap, Spring	58	94094	Screw, Fuel Tank Mtg. Sem
29	262328	Spring, Fuel Pump Diaphragm			
30	270026	Diaphragm			
31	210959	Cover, Diaphragm			

Der Ersatzteilspezialist im Internet. ** INCLUDED IN GASKET SET NO. 397145

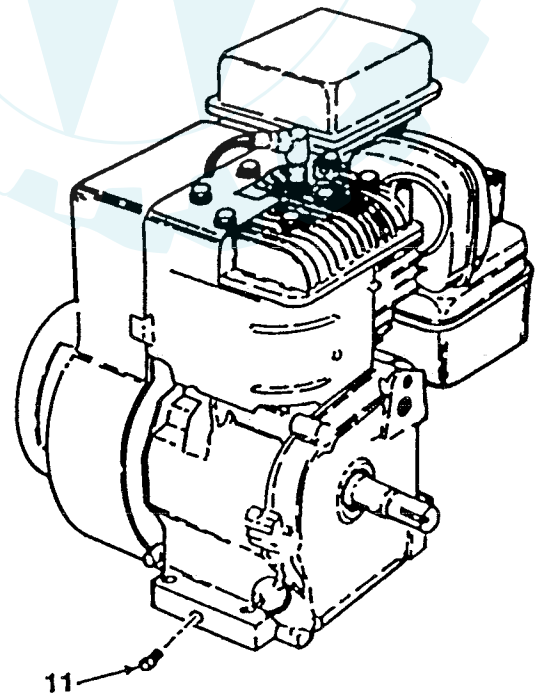
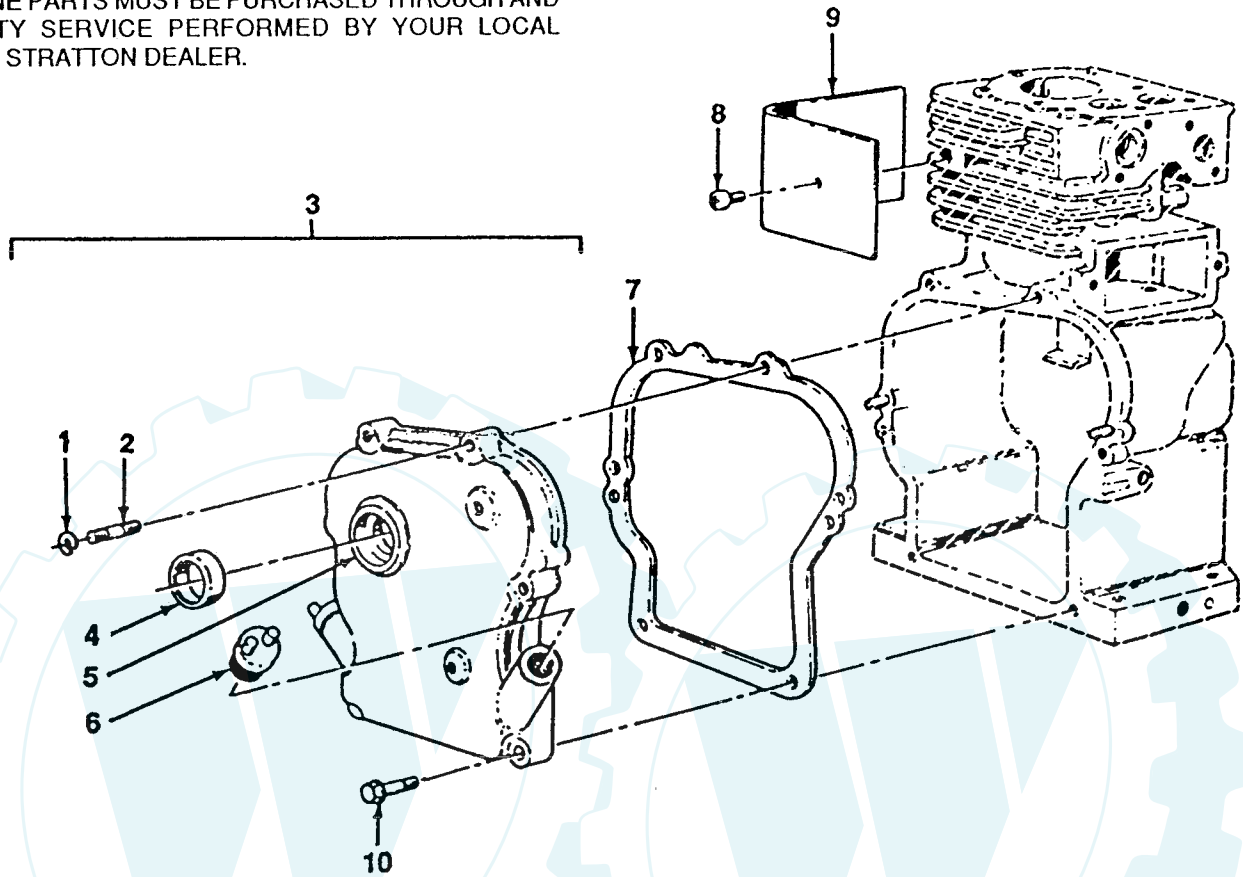
VI. REPAIR PARTS

ENGINE, LEFT SIDE

5 H.P. CRT 17" TILLER

ENGINE - BRIGGS & STRATTON -- MODEL NUMBER 130202, TYPE NUMBER 3129-01

ALL ENGINE PARTS MUST BE PURCHASED THROUGH AND WARRANTY SERVICE PERFORMED BY YOUR LOCAL BRIGGS & STRATTON DEALER.



KEY NO.	PART NO.	DESCRIPTION
1	90832	Washer, Lock
2	93656	Stud
3	297602	Cover Assembly, Crankcase (Inc. Key No's 5, 6, and 7)
4	294606	Seal, Oil
5	297603	* Bushing, Crankcase Cover
6	66768	Plug, Oil Filler
7	270080	** Gasket, Crankcase .015" thick
8	93490	Screw, Cylinder Shield Mtg. Sem
9	221511	Shield, Cylinder
10	93032	Screw, Crankcase Cover Mtg.
11	91249	Plug, Pipe 1/4" Std. (Square Head)

* REQUIRES SPECIAL TOOLS TO INSTALL

** INCLUDED IN GASKET SET NO. 397145

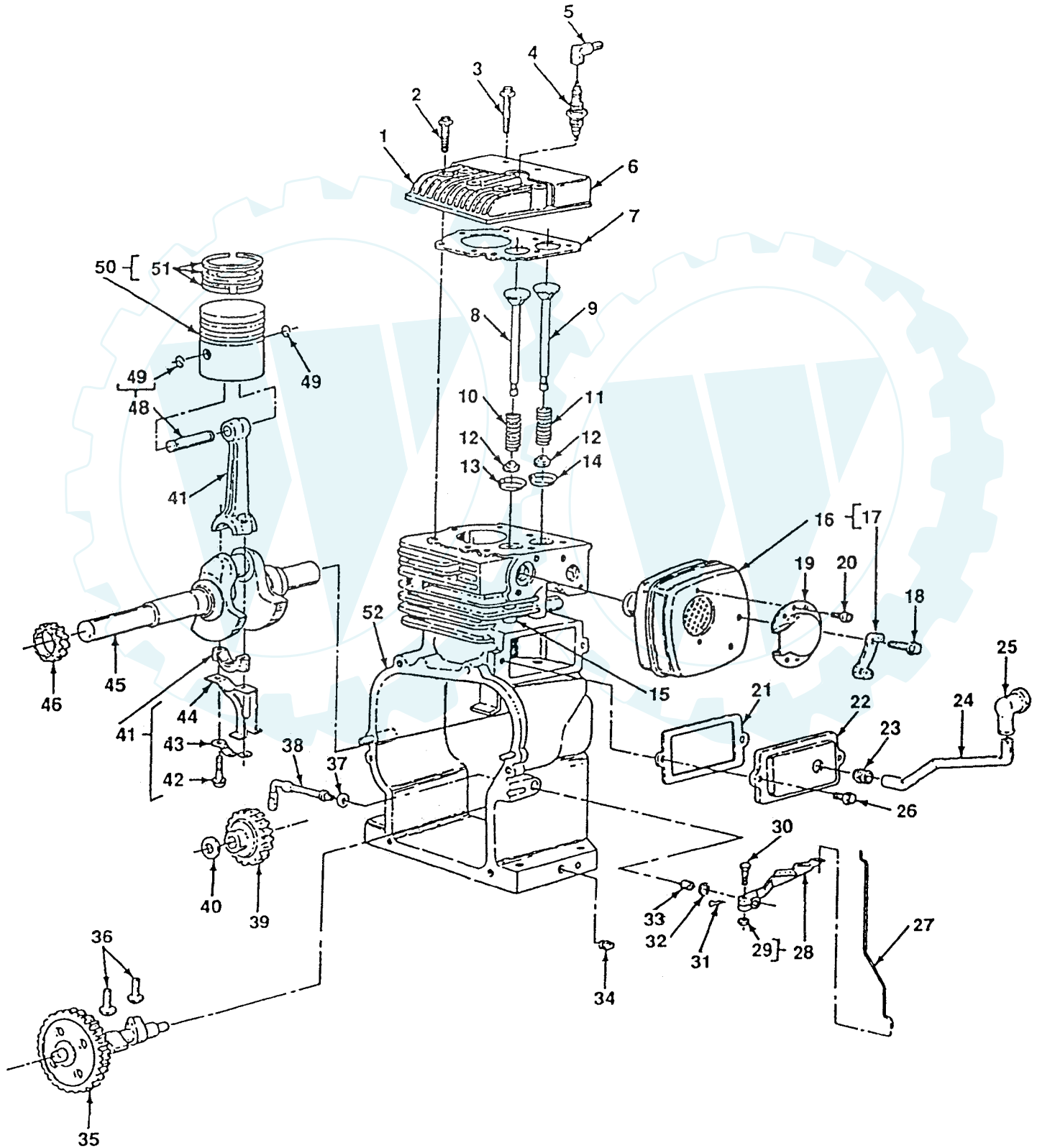
VI. REPAIR PARTS

ENGINE, INTERNAL PARTS

5 H.P. CRT 17" TILLER

ENGINE - BRIGGS & STRATTON -- MODEL NUMBER 130202, TYPE NUMBER 3129-01

ALL ENGINE PARTS MUST BE PURCHASED THROUGH AND WARRANTY SERVICE PERFORMED BY YOUR LOCAL BRIGGS & STRATTON DEALER.



VI. REPAIR PARTS

ENGINE, INTERNAL PARTS

5 H.P. CRT 17" TILLER

ENGINE - BRIGGS & STRATTON -- MODEL NUMBER 130202, TYPE NUMBER 3129-01

KEY PART NO.	PART NO.	DESCRIPTION	KEY PART NO.	PART NO.	DESCRIPTION
1	211542	Head, Cylinder	29	231082	Nut, Hex No. 10-24
2	94221	Screw, Cylinder Head-2-3/32 ID	30	92613	Bolt, Governor Lever
3	93369	Screw, Cylinder Head-2-15/32 ID	31	93306	Cotter, Hairpin
4	293918	Plug, Spark Resistor	32	93307	Retainer, E-Ring
5	66538	Elbow, Spark Plug	33	231079	Bushing, Governor Crank (1/4" ID)
6	221512	Cover, Cylinder Head	34	93448	Plug, Pipe (Hex Socket)
7	272157	** Gasket, Cylinder Head	35	212733	Gear, Cam
8	211119	Valve, Exhaust	36	260642	Tappet, Valve
9	261044	Valve, Intake	37	222450	Washer, Governor Lever
10	26478	Spring, Exhaust Valve	38	231077	Crank, Governor (1/4" Dia.)
11	260552	Spring, Intake Valve	39	391737	Gear, Governor
12	93312	Retainer, Valve Spring	40	221551	Washer, Thrust
13	211172	* Seat, Exhaust Valve (Std.)	41	299430	Rod Assembly, Connecting (Inc. Key No.'s 42 to 44) NOTE: For connecting Rod with .020" undersize Crankpin Bore, Order No. 390459
14	211787	* Seat, Intake Valve (Std.)	42	92296	Screw, Connecting Rod
15	262001	* Guide, Exhaust Valve	43	221876	Lock, Connecting Rod Screw
16	393615	Muffler, Exhaust (Inc. Key No's 17 and 18)	44	221890	Dipper, Connecting Rod
17	222263	Lock, Screw	45	397103	Crankshaft
18	93935	Screw, Hex Hd. Shoulder	46	261696	Gear, Timing
19	393757	Deflector, Exhaust, Side Outlet (Inc. Key No. 20)	48	298909	Pin Assembly, Piston Std. (Inc. Key No. 49)
20	93705	Screw	49	26026	Lock, Piston Pin
21	27549	** Gasket, Valve Cover	50	298904	Piston Assembly, Std. (Inc. Key No. 51)
22	294178	Breather, Valve Chamber	51	298982	Ring Set, Piston, Std.
23	66578	Grommet, Breather Tube	52	395990	Cylinder Assembly
24	231526	Tube, Breather			
25	67838	Grommet, Breather Tube			
26	93394	Screw, Breather Mounting			
27	262280	Link, Governor			
28	490374	Lever Assembly, Governor (Inc. Key No's 29 and 30)			

* REQUIRES SPECIAL TOOLS TO INSTALL

** INCLUDED IN GASKET SET NO. 397145

ALL ENGINE PARTS MUST BE PURCHASED THROUGH AND WARRANTY SERVICE PERFORMED BY YOUR LOCAL BRIGGS & STRATTON DEALER.

OPTIONAL EQUIPMENT AND SPECIAL TOOLS:

- 392193 Spark Arresting Muffler Assembly, Consists of the following:
 - 391913 Screen (1 required)
 - 222535 Deflector (1 required)
 - 93705 Screw (4 required)
- 397145 Gasket Set
- 89838 Spark Plug Wrench
- 19069 Flywheel Puller