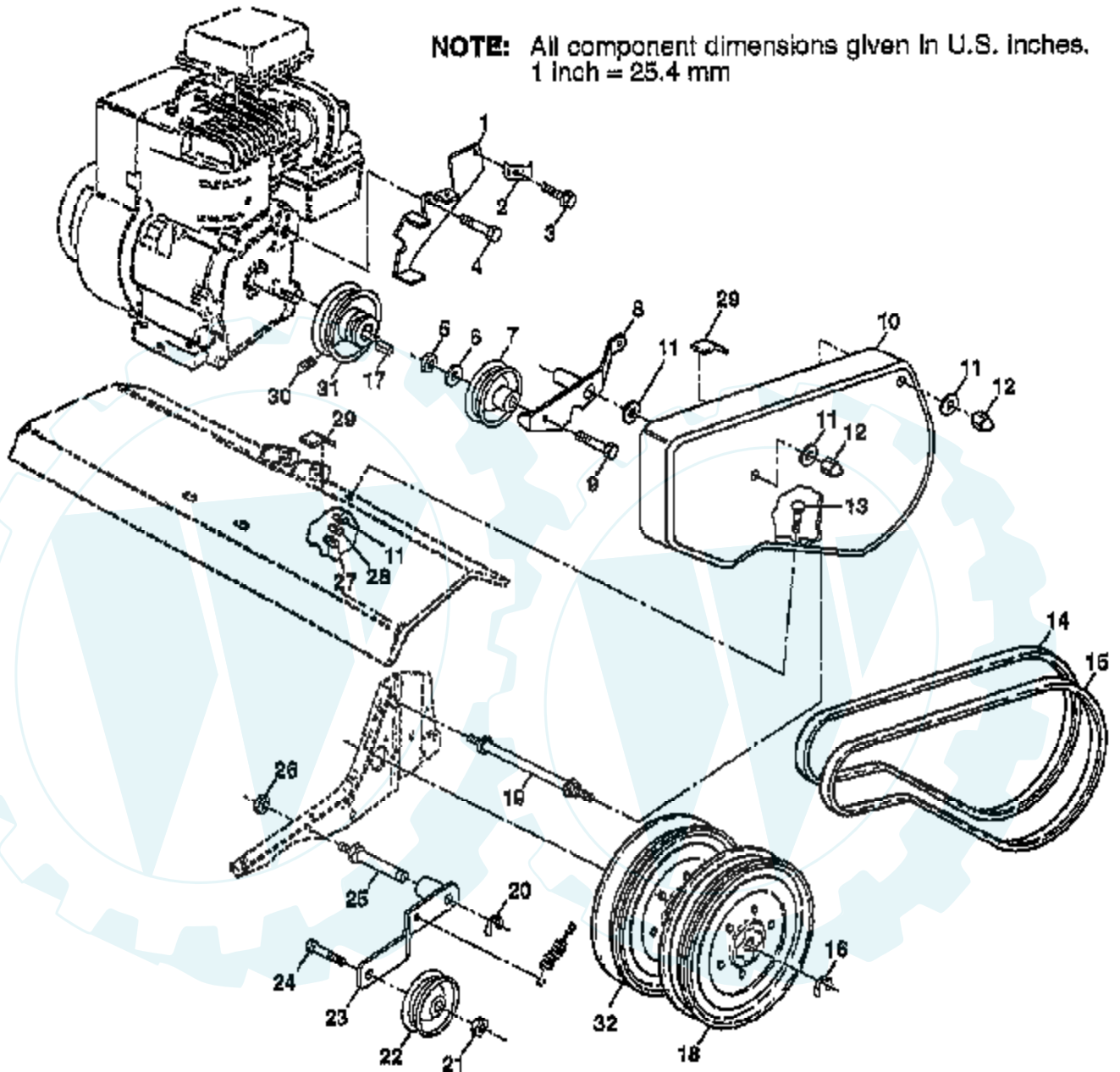


TILLER - - MODEL NUMBER CHDF550A

BELT GUARD AND PULLEY ASSEMBLY

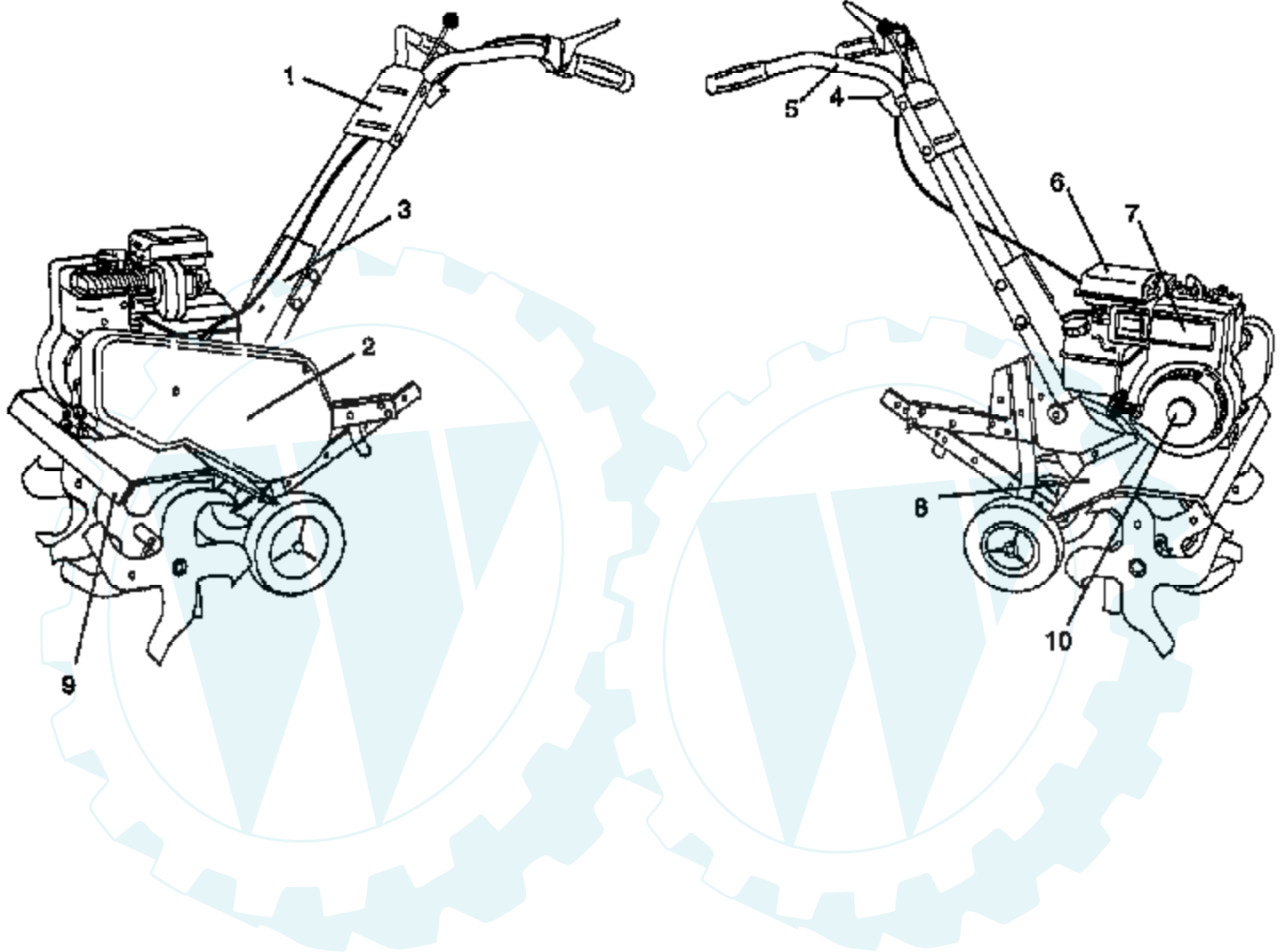
NOTE: All component dimensions given in U.S. inches.
1 inch = 25.4 mm



Ref #	Part Number	Qty	Description
1	123643X		SUB= 159268
2	9484R		CONDIUT CLIP T
3	86777		SUB= 750097
4	74770812		SCREW
5	73220600		NUT.HEX.3/8-16UNC
6	19131316		WASHER
7	2009J		PULLEY W/SPACER
8	127180X		ARM.ASM.REV.IDLER
9	74760628		BOLT
10	106970X428		GUARD BELT
11	19091016		WASHER
12	104213X		NUT-CAP TI
13	72140405		BOLT T
14	133035		BELT-V
15	2614J		SUB= TH3H440
16	12000028		SUB= 2267J
17	2649M		KEY T
18	151236		"SHEAVE,TRANS."D""
19	110550X		BOLT TI
20	12000036		KLIP RING TI
21	73350600		NUT
22	9178R		SUB= 75673
23	674A30		IDLER ARM TI
24	74760620		SUB= 74780620
25	106968X		SHAFT IDLER TI
26	73350500		JAM NUT TI
27	73220400		SUB= 50675
28	10040400		LOCKWASHER
29	109227X		PAD IDLER TI
30	23200404		SET SCREW
31	101189L		ENGINE PULLEY TI
32	151223		SHEAVE.TRANS

TILLER - - MODEL NUMBER CHDF550A

DECALS



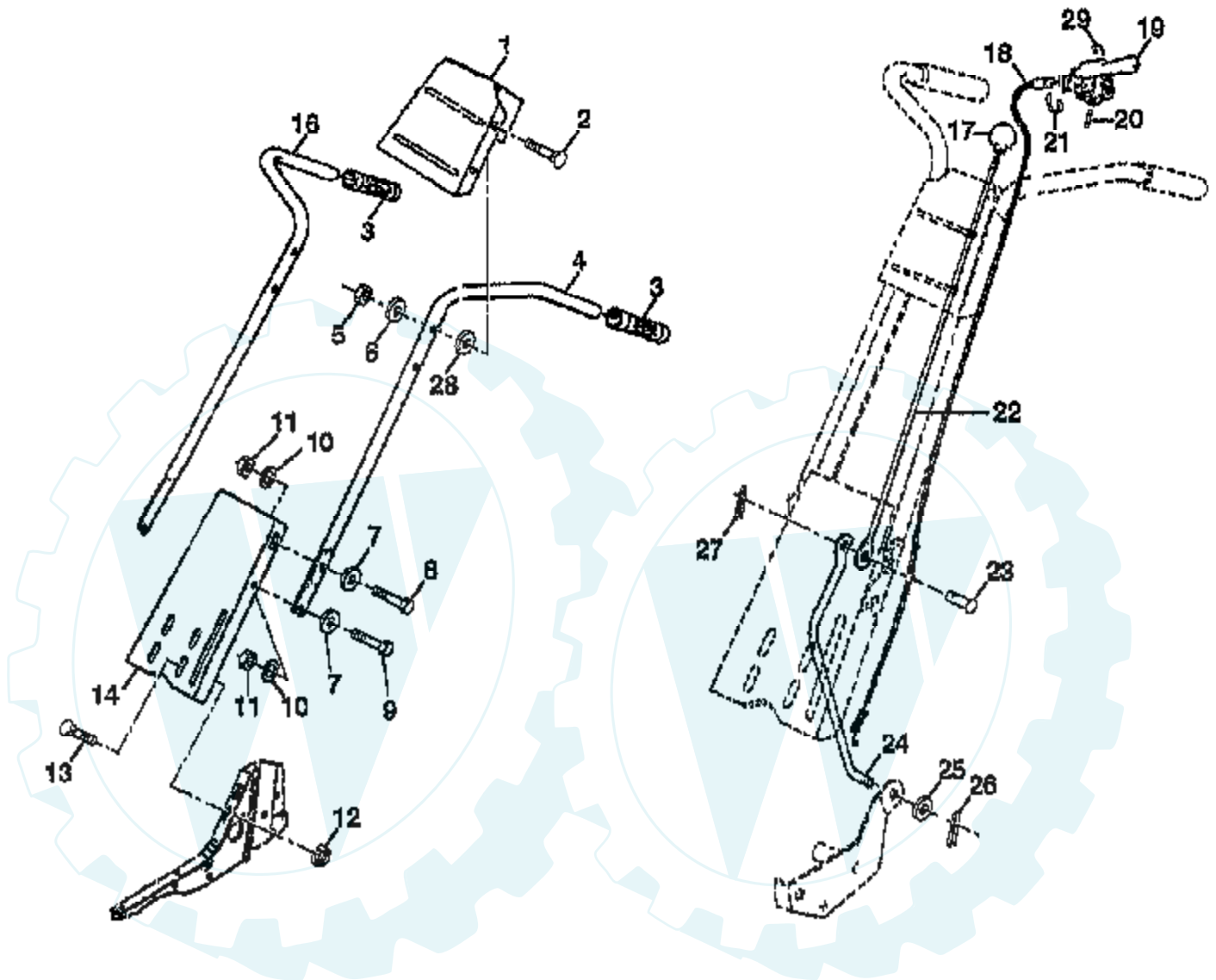
Ref #	Part Number	Qty	Description
1	157377		"DECAL PANEL,CTRL"
2	157380		"DECAL GUARD,BELT"
3	157378		"DECAL PANEL,FORWD"
4	121753X		DECAL REVERSE
5	110614X		DECAL TI
6	110612X		DECAL TI
7	271948		DECAL, BRIGGS & STRATTON
8	120076X		SUB= 120075X
9	157381		"DECAL SHIELD,TINE"
10	272630		DECAL, 5 HP
	159356		MANUAL, OWNER'S (ENGLISH)
	159357		MANUAL, OWNER'S (FRENCH)



TILLER - - MODEL NUMBER CHDF550A

HANDLE ASSEMBLY

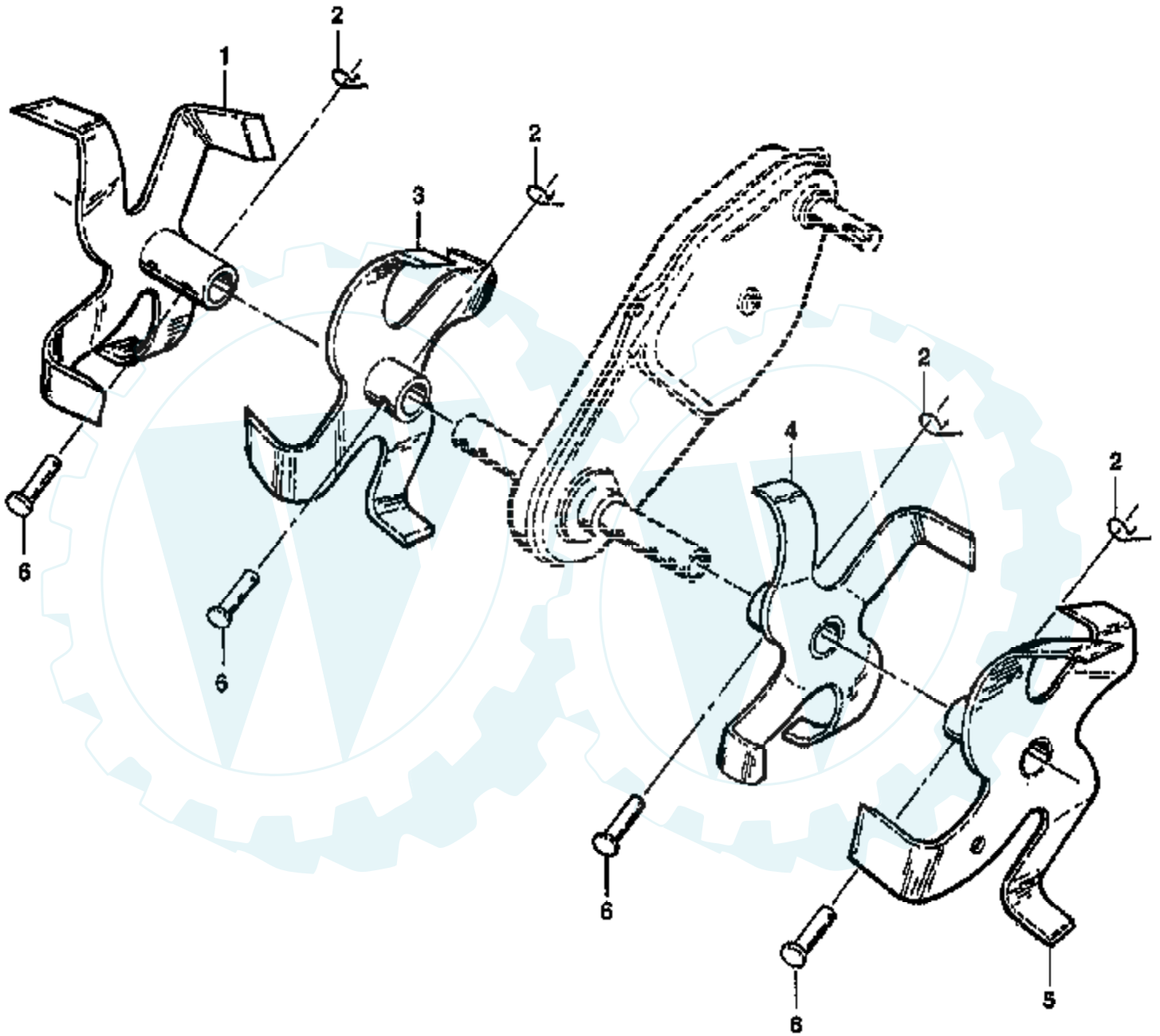
NOTE: All component dimensions are given in U.S. Inches.
1 inch = 25.4 mm



Ref #	Part Number	Qty	Description
1	131268X428		PANEL CONTROL
2	72140512		BOLT
3	9266R		SUB= 624A78
4	153138		HANDLE.LH TILLER
5	73680500		SUB= 73690500
6	19111116		WASHER
7	19121414		WASHER
8	74760516		SUB= 77394
9	74760512		BOLT
10	10040500		LOCKWASHER
11	73220500		NUT.HEX.5/16-18
12	98000129		NUT
13	72140506		BOLT
14	674A150428		PANEL HANDLE
16	153139		"HANDLE-RH,TILLER"
17	106932X		KNOB T(3/8 HOLE)
18	3066J		CABLE CLUTCH T
19	151229		LEVER CONTRL TIME
20	154805		"PIN PIVOT,GROOVED"
21	12000027		E-RING
22	101248K		ROD REVERSE TI
23	1778E		RIVET.RD.HD.DRILL
24	2613J		REVERSE ROD TI
25	19131316		WASHER
26	76020412		COTTER PIN
27	76020308		SUB= 3145
28	19131312		WASHER
29	12000059		RETAINER RING

TILLER - - MODEL NUMBER CHDF550A

TINE ASSEMBLY

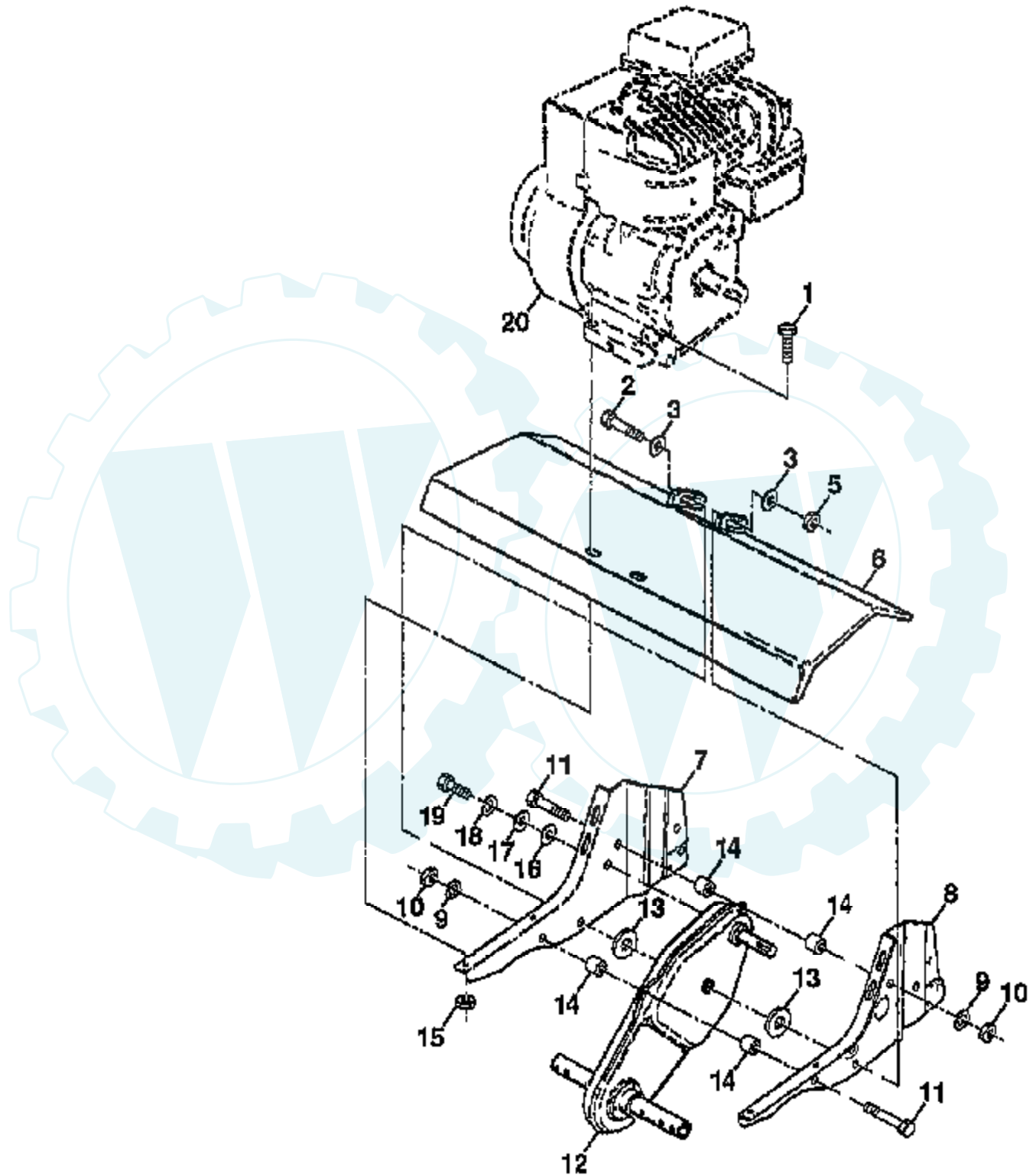


Ref #	Part Number	Qty	Description
1	100746M		TINE WELDMENT TI
2	3146R		RETAINER.SPRING
3	674A43		TINE TI
4	674A42		TINE TI
5	100744M		TINE WELDMENT TI
6	4929H		RIVET.PAN HD.1.75



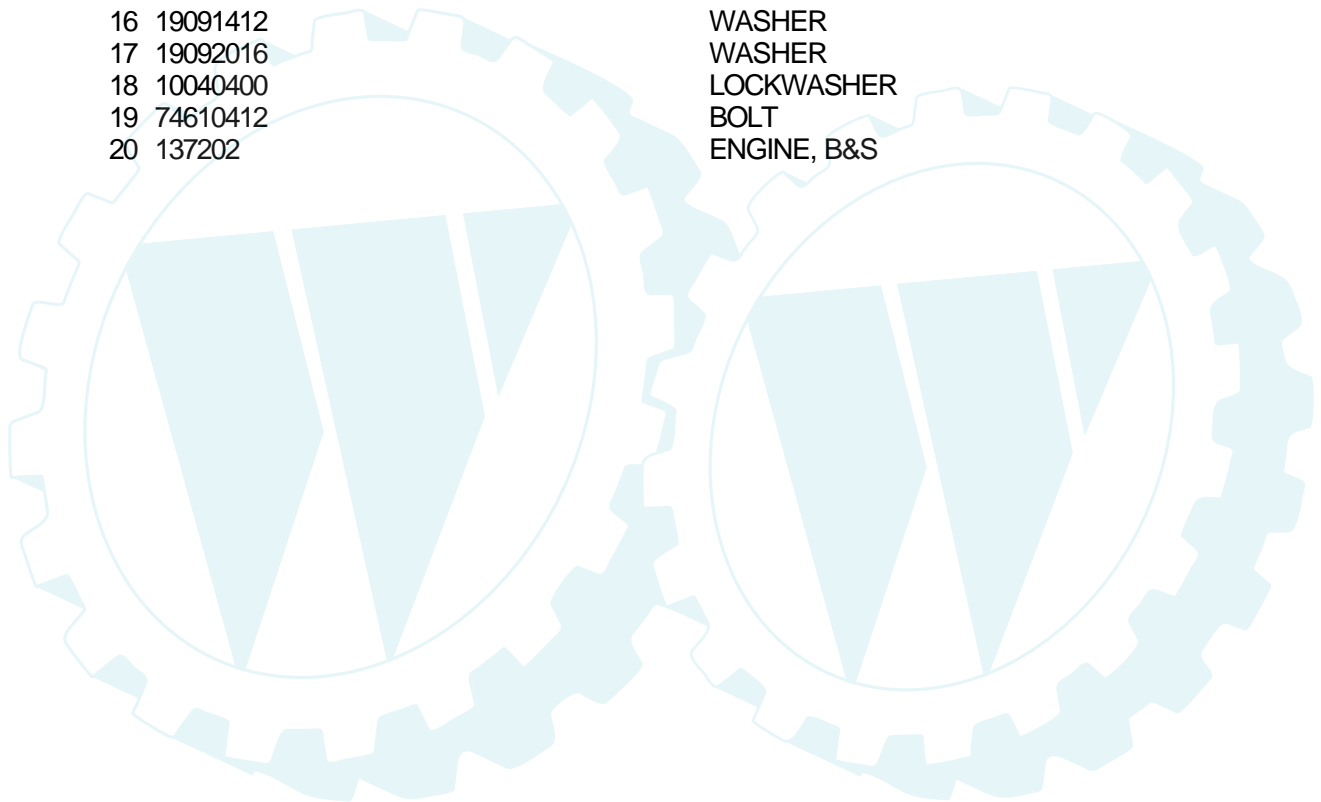
TILLER - - MODEL NUMBER CHDF550A

TRANSMISSION



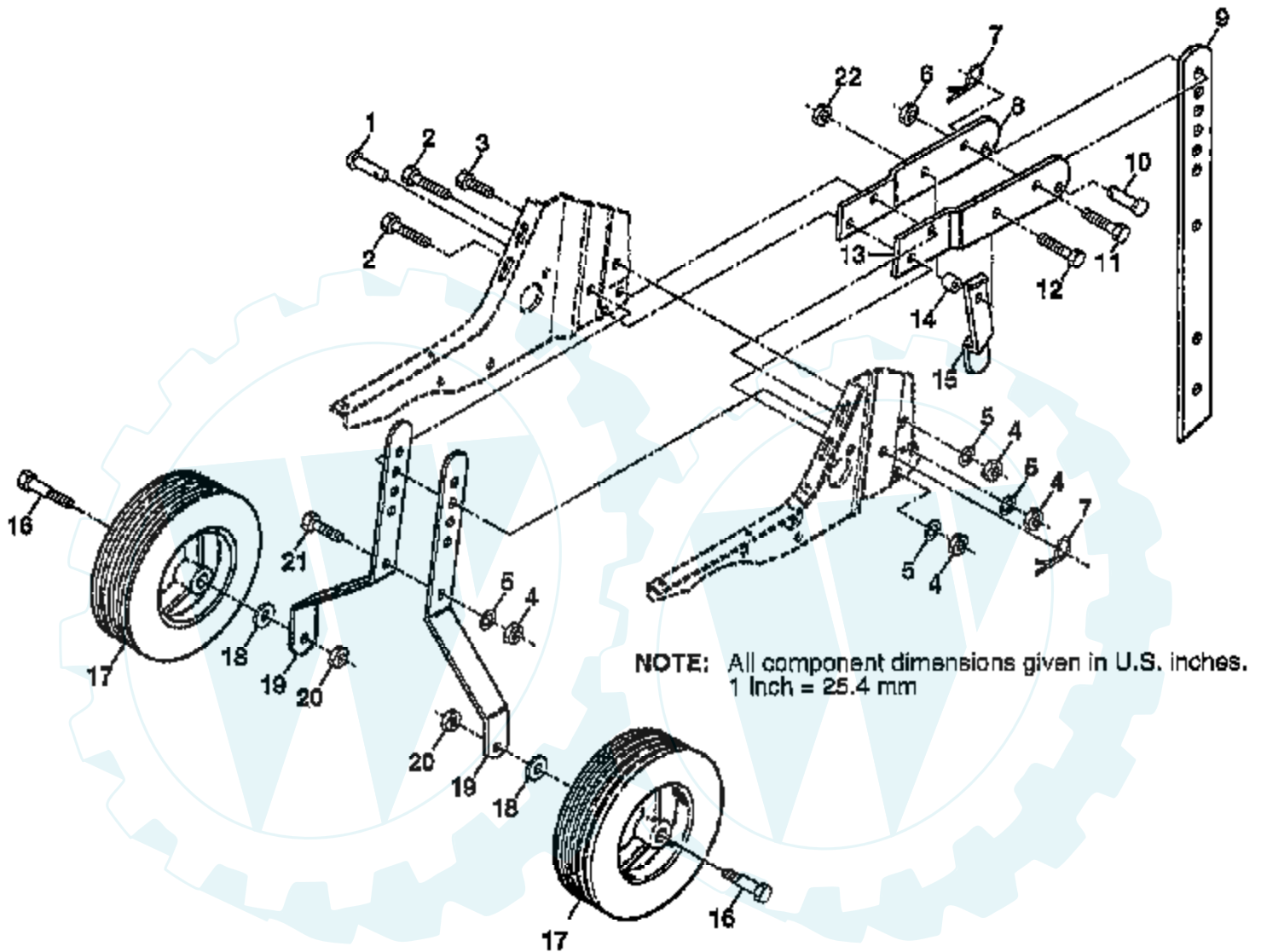
NOTE: All component dimensions given in U.S. inches.
1 inch = 25.4 mm

Ref #	Part Number	Qty	Description
1	74760524		BOLT.HEX.5/16-1.5
2	74780652		BOLT HEX 3/8-16
3	19131311		WASHER
5	73800600		NUT
6	9057R428		SHIELD TINE
7	1949J		SUB= 1949J500
8	110519X		BRACKET.ENG.LH.
9	10040500		LOCKWASHER
10	73220500		NUT.HEX.5/16-18
11	74760544		SUB= 74780544
12	151222		SUB= 165808
13	19171616		WASHER
14	9173R		SPLIT SPACER RT
15	73510500		NUT
16	19091412		WASHER
17	19092016		WASHER
18	10040400		LOCKWASHER
19	74610412		BOLT
20	137202		ENGINE, B&S



TILLER - - MODEL NUMBER CHDF550A

WHEEL AND DEPTH STAKE ASSEMBLY



Ref #	Part Number	Qty	Description
1	9194R		DRILLED RIVET RT
2	74760520		BOLT
3	74760512		BOLT
4	73220500		NUT.HEX.5/16-18
5	10040500		LOCKWASHER
6	73800600		NUT
7	4921H		SPRING.RETAINER
8	1952J		SUB= 1952J500
9	122233X		SUB= 2582J
10	326J		SUB= 4929H
11	74780628		BOLT
12	74760524		BOLT.HEX.5/16-1.5
13	1951J		SUB= 1951J500
14	120958X		WASHER
15	5388J		STAKE SPRING TI
16	121117X		BOLT SHOULDER
17	9188R		SUB= 107644X
18	19131311		WASHER
19	9190R		SUB= 9190R500
20	73680600		SUB= 73690600
21	74760516		SUB= 77394
22	73800500		NUT

