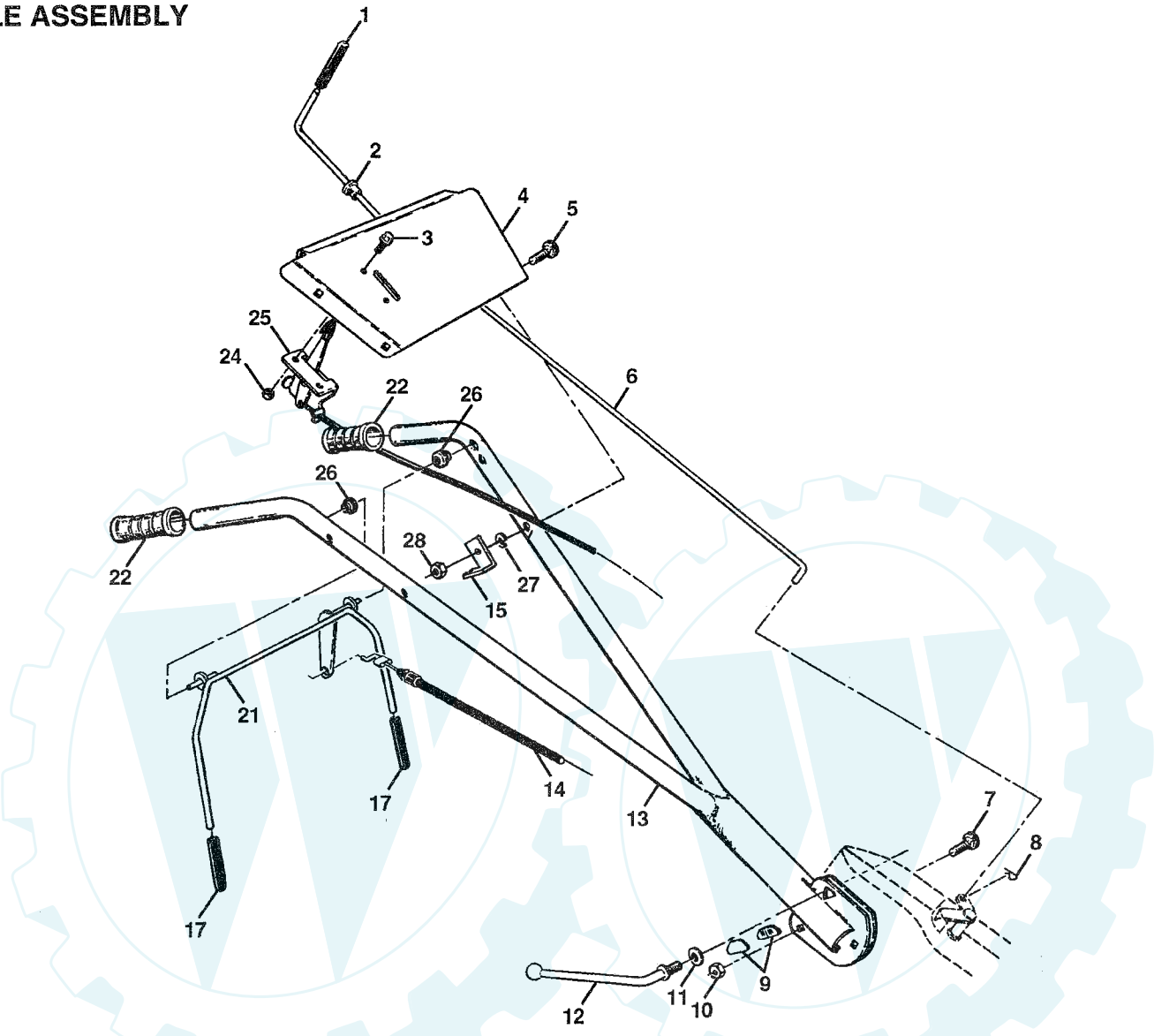


REPAIR PARTS

TILLER - - MODEL NUMBER AYP3455B59

HANDLE ASSEMBLY



KEY NO.	PART NO.	DESCRIPTION
1	8389J	Grip, Handle
2	121248X	Bushing, Snap
3	71191008	* Screw, Pan Hd. #10-24
4	126949X505	Bracket, Handle
5	72110514	* Bolt, Carriage 5/16-18 x 1-3/4
6	108281X	Rod, Shift
7	72110608	* Bolt, Carriage 3/8-16 x 1 Gr. 5
8	4497H	Clip, Hairpin
9	109229X	Lock, Handle
10	73930600	Nut 3/8-16
11	19131611	* Washer 13/32 x 1 x 11 Ga.
12	109228X	Lever, Lock, Handle
13	149314	Handle
14	145820	Cable, Clutch

KEY NO.	PART NO.	DESCRIPTION
15	145821	Bracket, Clutch Cable
17	102604X	Grip, Bar Control
21	145829	Bar, Control
22	140526	Grip, Handle
24	73731000	* Nut, Keys #10-24 UNC
25	127012X	Control, Throttle
26	146480	Grommet, Handle
27	10040500	* Washer, Lock 5/16
28	73800500	Locknut 5/16-18

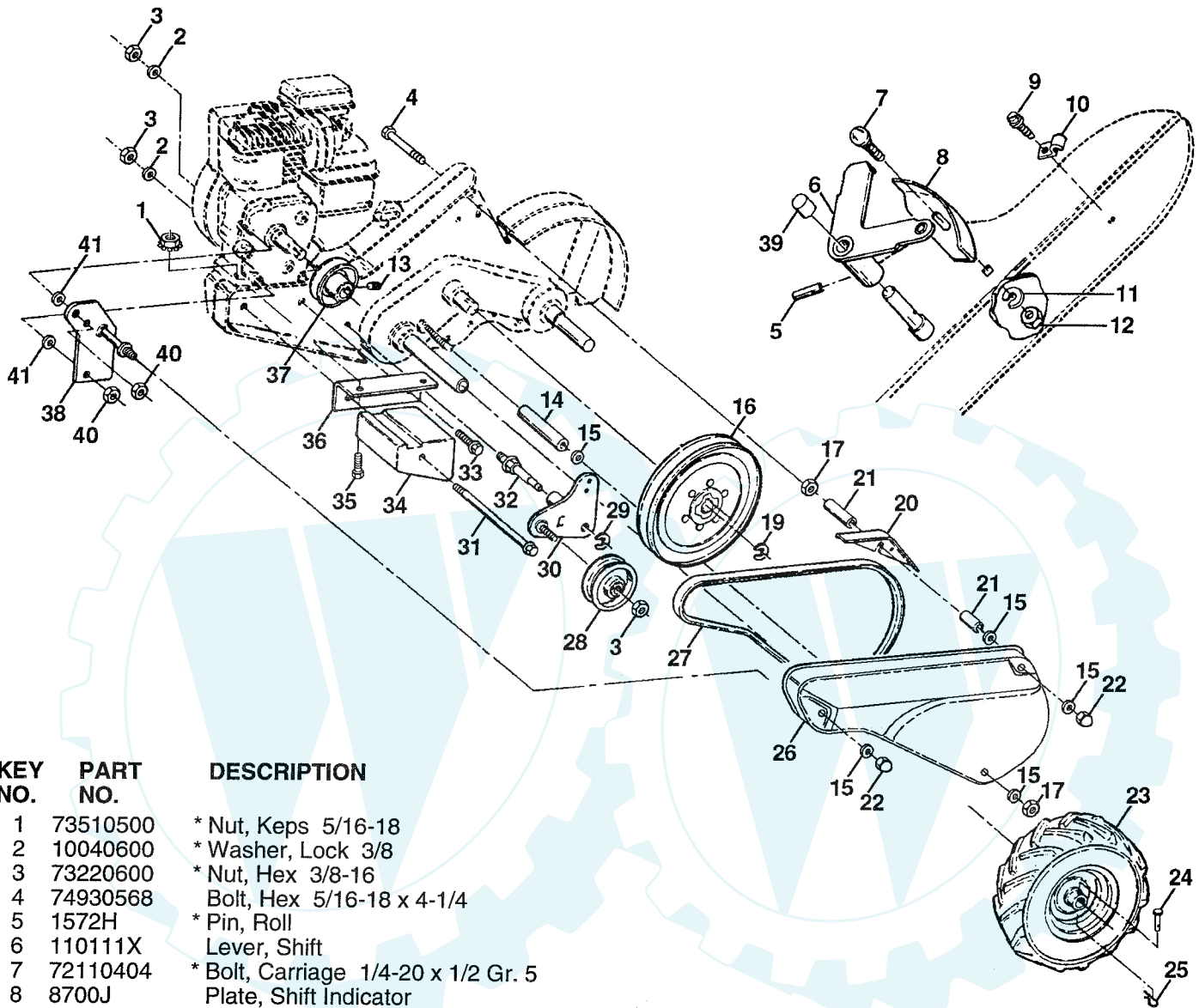
* STANDARD HARDWARE - - PURCHASE LOCALLY

NOTE: All component dimensions given in U.S. inches.
1 inch = 25.4 mm

REPAIR PARTS

TILLER - - MODEL NUMBER AYP3455B59

MAINFRAME, LEFT SIDE



KEY NO.	PART NO.	DESCRIPTION
1	73510500	* Nut, Keps 5/16-18
2	10040600	* Washer, Lock 3/8
3	73220600	* Nut, Hex 3/8-16
4	74930568	Bolt, Hex 5/16-18 x 4-1/4
5	1572H	* Pin, Roll
6	110111X	Lever, Shift
7	72110404	* Bolt, Carriage 1/4-20 x 1/2 Gr. 5
8	8700J	Plate, Shift Indicator
9	86777	Screw, Hex, Washer Head, Slotted #10-24 x 1/2
10	9484R	Clip
11	10040400	* Washer, Lock 1/4
12	73220400	* Nut, Hex 1/4-20
13	23230506	* Screw, Set, Hex 5/16-18 x 3/8
14	120938X	Spacer, Split 0.327 x 0.42 x 2.68
15	19111116	* Washer 11/32 x 11/16 x 16 Ga.
16	145102	Sheave, Transmission
17	73220500	* Nut, Hex 5/16-18
19	12000028	Ring, Retainer
20	110653X	Guard, Pinch Point
21	145216	Spacer, Split 0.327 x 0.42 x 1.688
22	104214X	Nut, Cap 5/16-18
23	5015J	Tire
	128952	Rim
	795R	Tire Valve
24	126875X	Rivet, Drilled
25	4497H	* Clip, Hairpin
26	131159X505	Guard, Belt
27	132801	Belt, V

KEY NO.	PART NO.	DESCRIPTION
28	104679X	Pulley, Idler
29	12000032	Ring, Klip
30	105611X	Bracket, Idler
31	102384X	Bolt, Hex 5/16-16 x 12
32	102141X	Shaft, Idler Arm
33	74760616	* Bolt, Hex 3/8-16 x 1
34	102383X	Counterweight, L. H.
35	74760524	Bolt, Hex 5/16-18 x 1-1/2
36	102331X	Bracket, Reinforcement, L. H.
37	130812	Sheave, Engine
38	131556	Bracket, Guard Belt
39	140062	Cap, Plunger
40	73800400	Nut, Lock w/Insert 1/4-20
41	19091016	Washer 9/32 x 5/8 x 16 Ga.

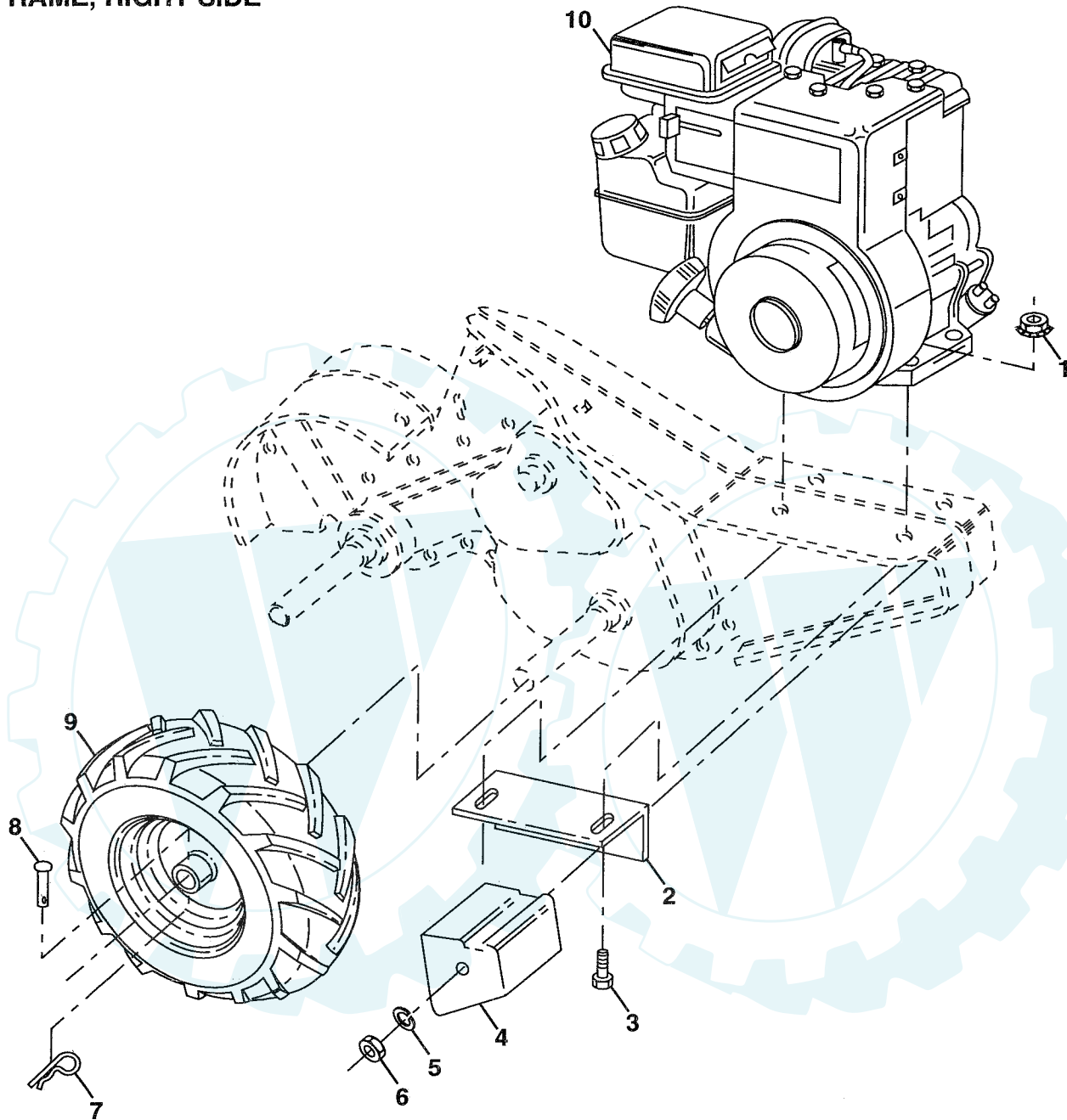
* STANDARD HARDWARE - - PURCHASE LOCALLY

NOTE: All component dimensions given in U.S. inches.
1 inch = 25.4 mm

REPAIR PARTS

TILLER - - MODEL NUMBER AYP3455B59

MAINFRAME, RIGHT SIDE



KEY NO.	PART NO.	DESCRIPTION
1	73510500	* Nut, Keps 5/16-18
2	102332X	Bracket, Reinforcement
3	74760524	Bolt, Hex 5/16-18 x 1-1/2
4	102173X	Counter Weight, R.H.
5	10040600	* Washer, Lock 3/8
6	73220600	* Nut, Hex 3/8-16
7	4497H	* Clip, Hairpin
8	126875X	Rivet, Drilled

KEY NO.	PART NO.	DESCRIPTION
9	5015J	Tire
	128952	Rim
	795R	Tire Valve
10	-----	Engine (See breakdown)

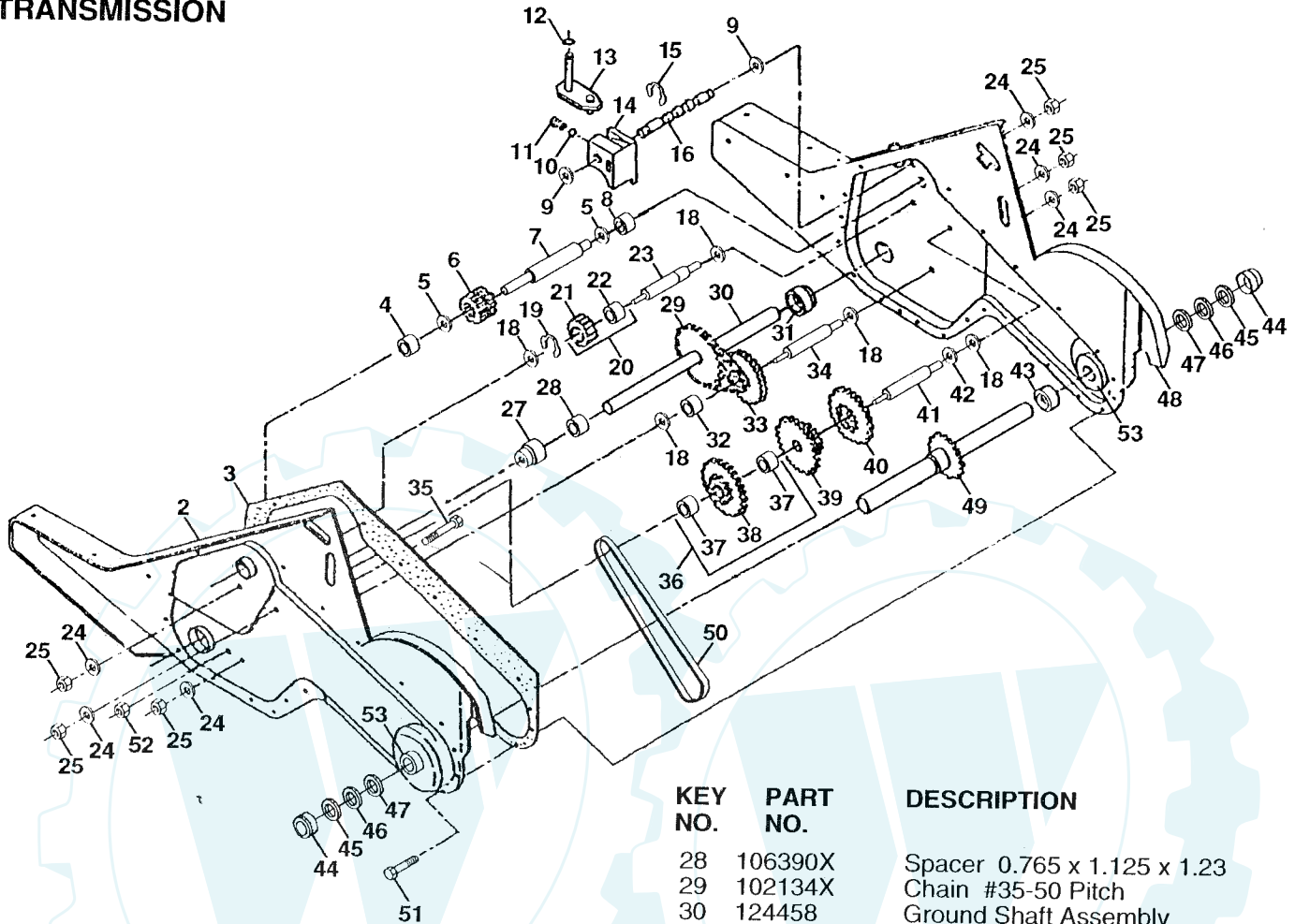
* STANDARD HARDWARE - - PURCHASE LOCALLY

NOTE: All component dimensions given in U.S.inches.
1 inch = 25.4 mm

REPAIR PARTS

TILLER -- MODEL NUMBER AYP3455B59

TRANSMISSION



KEY NO.	PART NO.	DESCRIPTION
1	149408	Transmission Assembly (Includes Key Nos. 2-53)
2	139544	Gearcase, L.H. w/Bearing (Includes Key No. 4)
3	106211X	Gasket, Gearcase
4	5020J	Bearing, Needle
5	1370H	Washer, Thrust 5/8 x 1.10 x 1/32
6	137335	Pinion, Input
7	145101	Shaft, Input
8	4895H	Bearing, Needle
9	102136X	Washer, Seal
10	7392M	Ball, Steel
11	100371K	Spring, Shift, Fork
12	106160X	O-Ring
13	142145	Arm, Shift
14	8353J	Fork, Shift
15	12000039	Ring, Klip
16	140525	Shaft, Shift
18	4358J	Washer
19	12000040	Ring, Klip
20	102114X	Gear, Assembly, Reverse Idler (Includes Key Nos. 21 and 22)
21	102115X	Gear, Reverse Idler
22	6803J	Bearing, Needle
23	102111X	Shaft, Reverse Idler
24	10040700	* Washer, Lock 7/16
25	73610700	* Nut, Hex 7/16-20
27	143009	Bearing, Shaft, Ground Drive L.H.

KEY NO.	PART NO.	DESCRIPTION
28	106390X	Spacer 0.765 x 1.125 x 1.23
29	102134X	Chain #35-50 Pitch
30	124458	Ground Shaft Assembly
31	143008	Bearing, Shaft, Ground Drive R.H.
32	106388X	Spacer 0.70 x 1.00 x 1.150
33	102121X	Sprocket and Gear Assembly
34	102112X	Shaft, Reduction (2nd)
35	102101X	Screw, Whiz, Lock 5/16-18 x 3-1/2
36	137300	Sprocket Assembly w/Bearing (Includes Key Nos. 37 and 38)
37	4422J	Bearing, Needle
38	137301	Sprocket, Tine
39	105345X	Gear, Cluster, Red 1st & 2nd
40	105346X	Gear, Reverse
41	8358J	Shaft, Reduction (1st)
42	4220R	Washer, Thrust
43	106146X	Spacer 1.01 x 1.75 x 0.760
44	9672R	Cup, Formed
45	102144X	Ring, Spiral
46	140576	Seal, Ring, Rubber
47	7393R	Seal, Oil
48	139546	Gearcase, R.H. w/Bearing (Includes Key No. 8)
49	132688	Shaft, Tine
50	106147X	Chain, Roller #50-50 Pitch
51	17580408	Screw 1/4-20 x 1/2
52	73220500	* Nut, Hex 5/16-18
53	122204X	Kit, Bearing
--	6066J	Grease, Plastilube #1

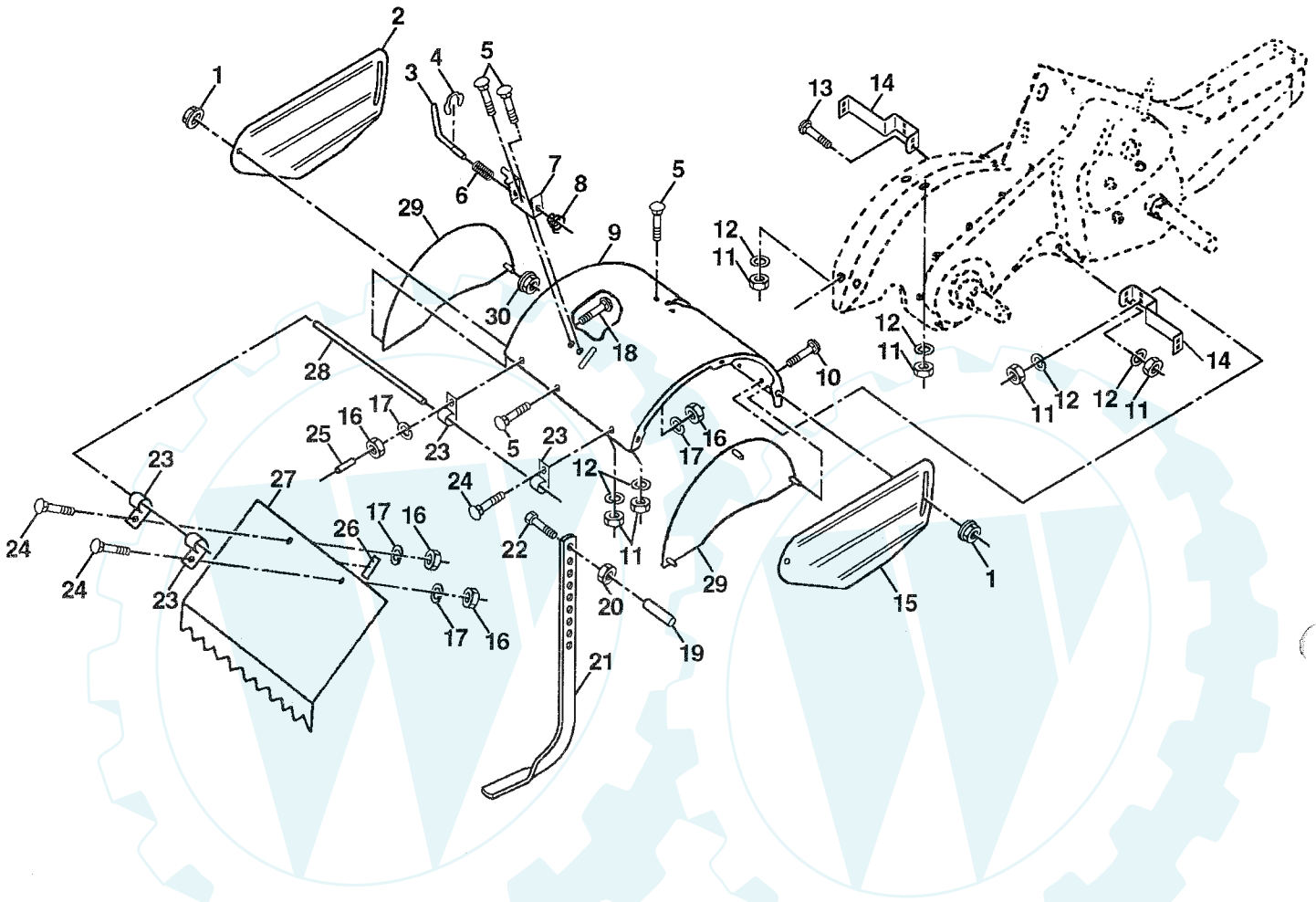
* STANDARD HARDWARE -- PURCHASE LOCALLY

NOTE: All component dimensions given in U.S. inches.
1 inch = 25.4 mm

REPAIR PARTS

TILLER - - MODEL NUMBER AYP3455B59

TINE SHIELD



KEY NO.	PART NO.	DESCRIPTION
1	98000129	Nut, Flange 5/16-18
2	104086X505	Shield, Side, Outer L. H.
3	8393J	Pin, Stake, Depth
4	12000036	Ring, Klip
5	72140506	* Bolt, Carriage 5/16-18 x 3/4 Gr 5
6	8394J	Spring
7	8392J	Bracket, Latch
8	109230X	Spring, Depth Stake
9	124289X505	Shield, Tine
10	72140508	* Bolt, Carriage 5/16-18 x 1 Gr. 5
11	73220500	* Nut, Hex 5/16-18
12	10040500	* Washer, Lock 5/16
13	72110510	Bolt, Carriage 5/16-18 x 1-1/4
14	124311X	Bracket, Shield Tine
15	104101X505	Shield, Side, Outer R.H.
16	73220400	* Nut, Hex 1/4-20
17	10040400	* Washer, Lock 1/4
18	72040410	* Bolt, Carriage 1/4-20 x 1-1/4 Gr. 5

KEY NO.	PART NO.	DESCRIPTION
19	102701X	Grip
20	73220600	* Nut, Hex 3/8-16
21	102156X500	Stake, Depth
22	74930632	Bolt, Hex 3/8-16 x 2
23	4440J	Hinge
24	72140404	* Bolt, Carriage 1/4-20 x 1/2 Gr. 5
25	6712J	Cap, Vinyl
26	109227X	Pad, Idler
27	102695X505	Shield, Leveling
28	120588X	Pin, Hinge
29	124309X505	Shield, Side
30	73970500	Locknut, Hex, Flange

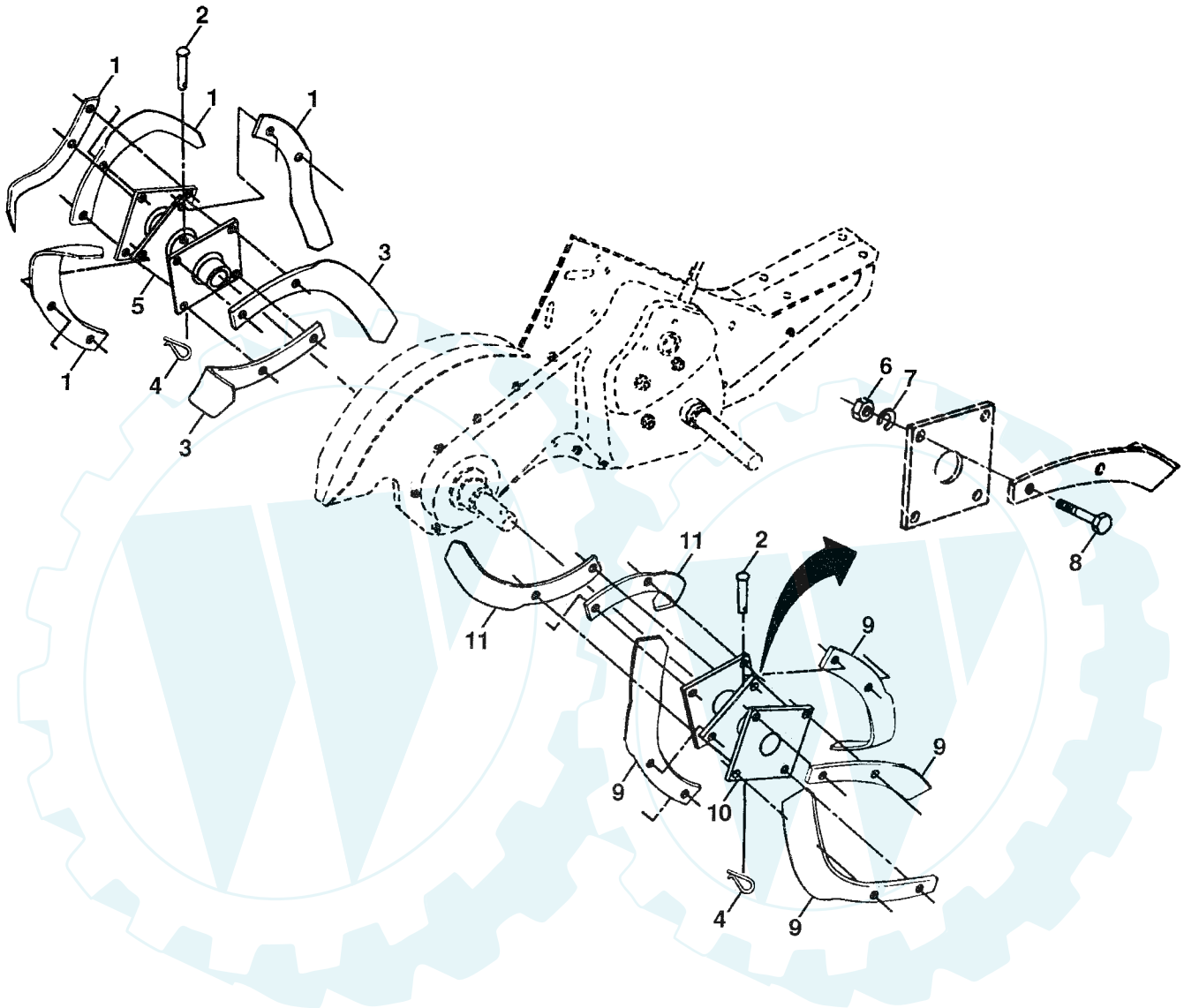
* STANDARD HARDWARE - - PURCHASE LOCALLY

NOTE: All component dimensions given in U.S. inches.
1 inch = 25.4 mm

REPAIR PARTS

TILLER - - MODEL NUMBER AYP3455B59

TINE ASSEMBLY



KEY NO.	PART NO.	DESCRIPTION
1	4459J	Tine, Outer, L.H.
2	132673	Clevis Pin
3	6554J	Tine, Inner, L.H.
4	3146R	* Clip, Hairpin
5	132727	Assembly, Hub and Plate, L.H.
6	73610600	Nut, Hex 3/8-24
7	10040600	* Washer, Lock 3/8

KEY NO.	PART NO.	DESCRIPTION
8	74610616	Bolt, Hex 3/8-24 x 1
9	4460J	Tine, Outer, R.H.
10	132728	Assembly, Hub and Plate, R.H.
11	6555J	Tine, Inner, R.H.

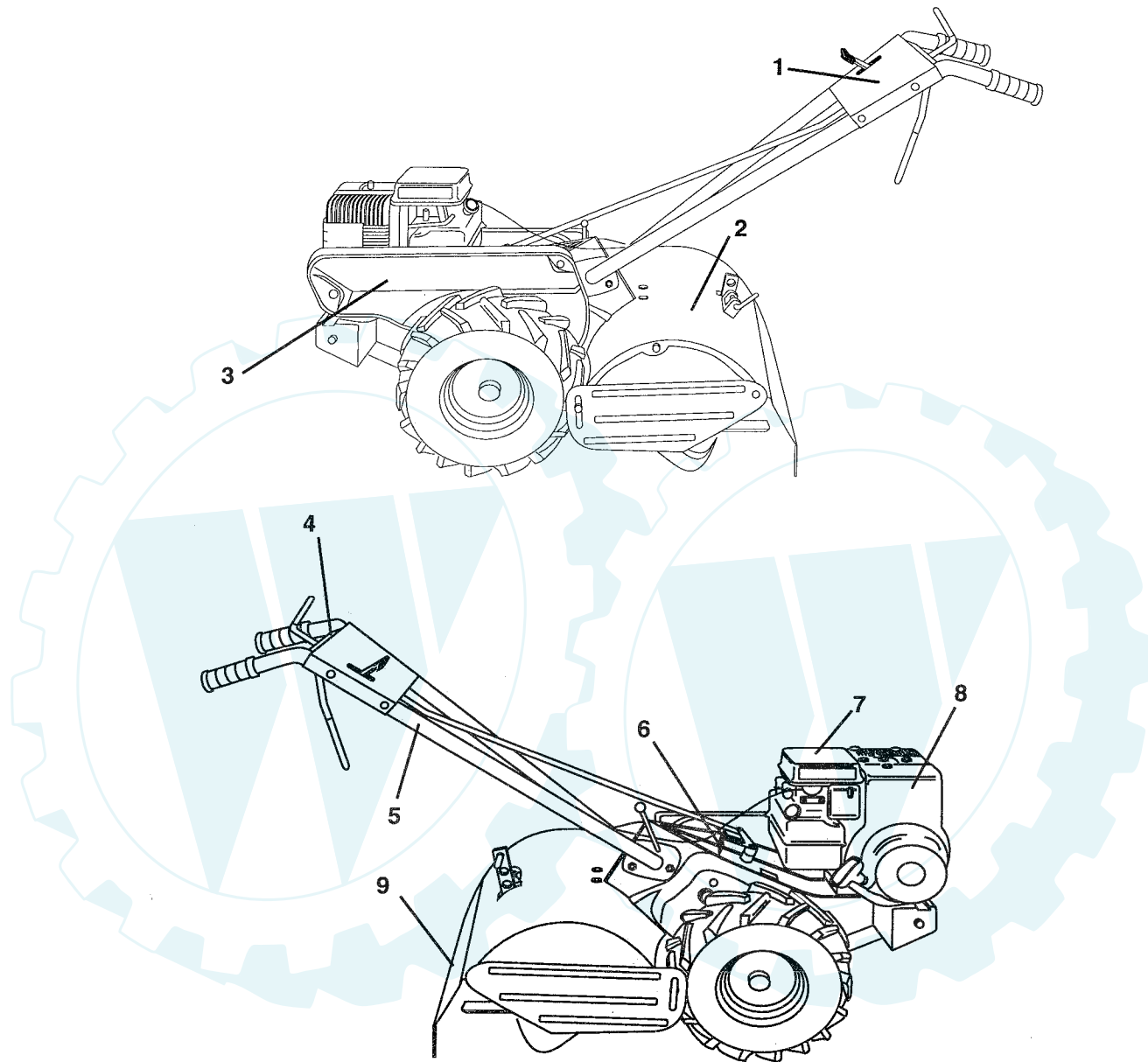
* STANDARD HARDWARE--PURCHASE LOCALLY

NOTE: All component dimensions given in U.S. inches.
1 inch = 25.4 mm

REPAIR PARTS

TILLER - - MODEL NUMBER AYP3455B59

DECALS

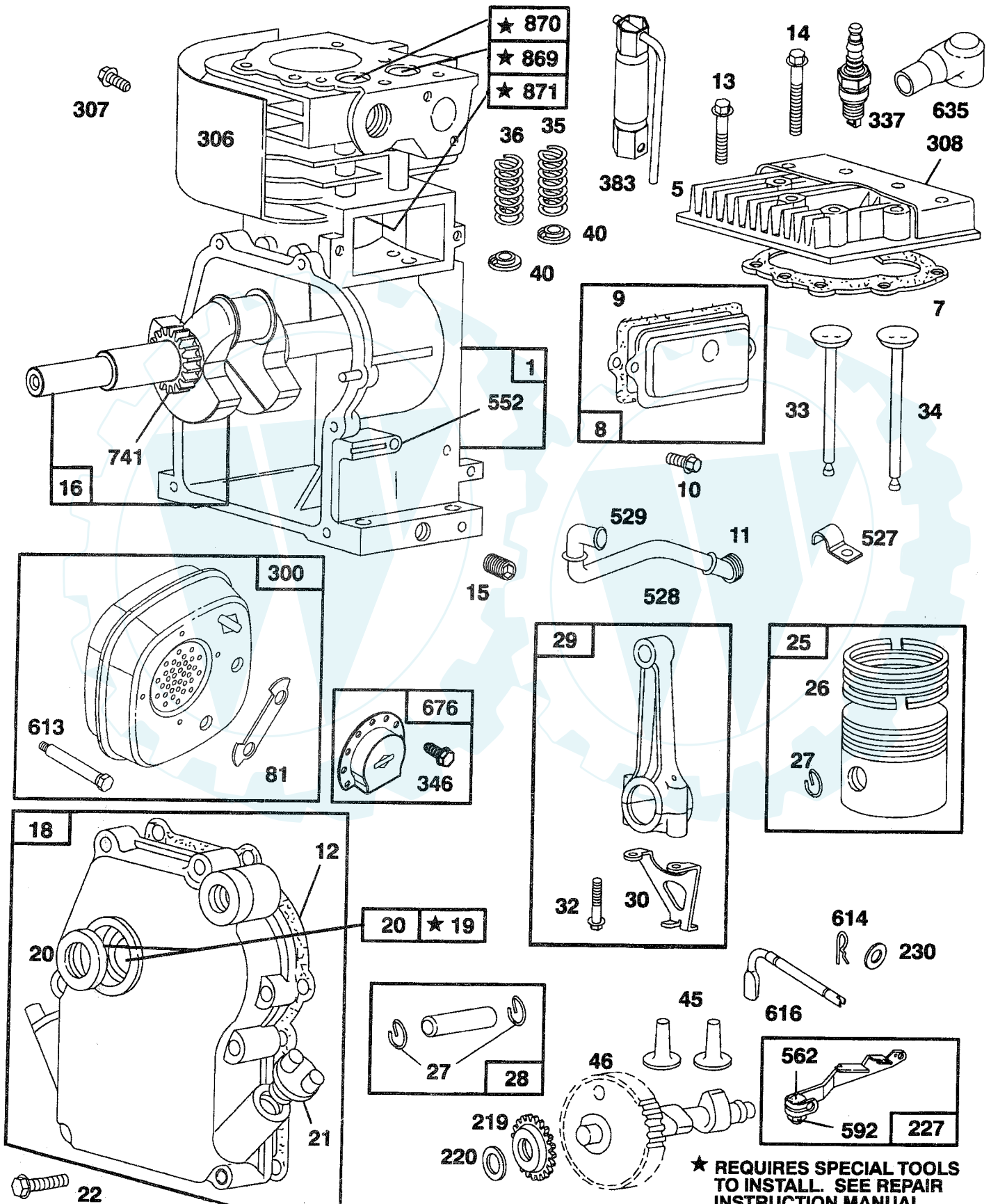


KEY NO.	PART NO.	DESCRIPTION
1	146354	Decal, Logo
2	127521	Decal, USA Blk
3	146353	Decal, Logo
4	110655X	Decal, Instruction, Tilling
5	120431X	Decal, Hand Placement
6	102180X	Decal, Shift Indicator
7	110593X	Decal, Caution
8	271948	Decal, Briggs & Stratton
9	120075X	Decal, Warning, Rotating Tines
--	149469	Manual, Owner's

REPAIR PARTS

TILLER -- MODEL NUMBER AYP3455B59

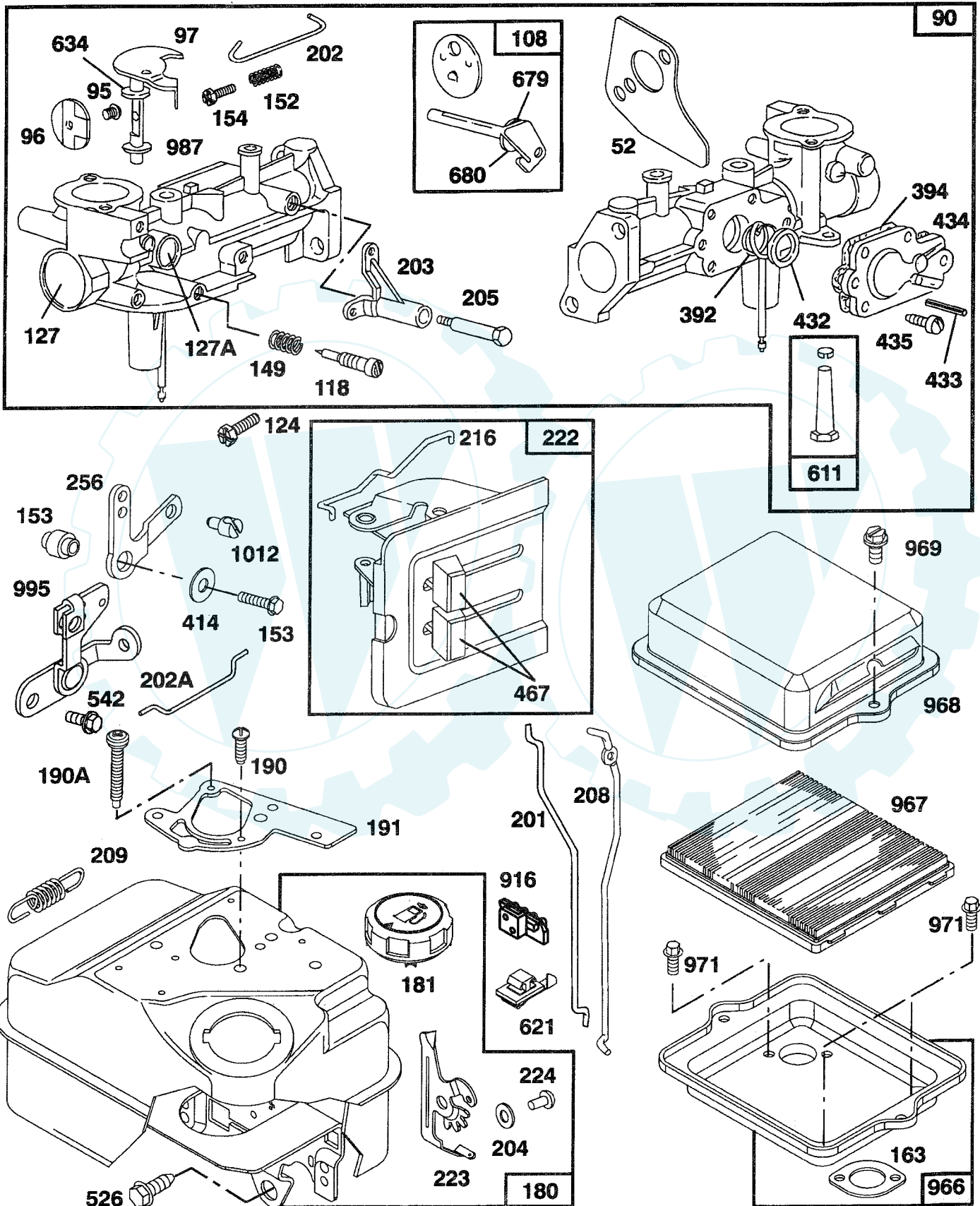
ENGINE, BRIGGS & STRATTON -- MODEL NUMBER 135202, TYPE NO. 0237-01



REPAIR PARTS

TILLER - - MODEL NUMBER AYP3455B59

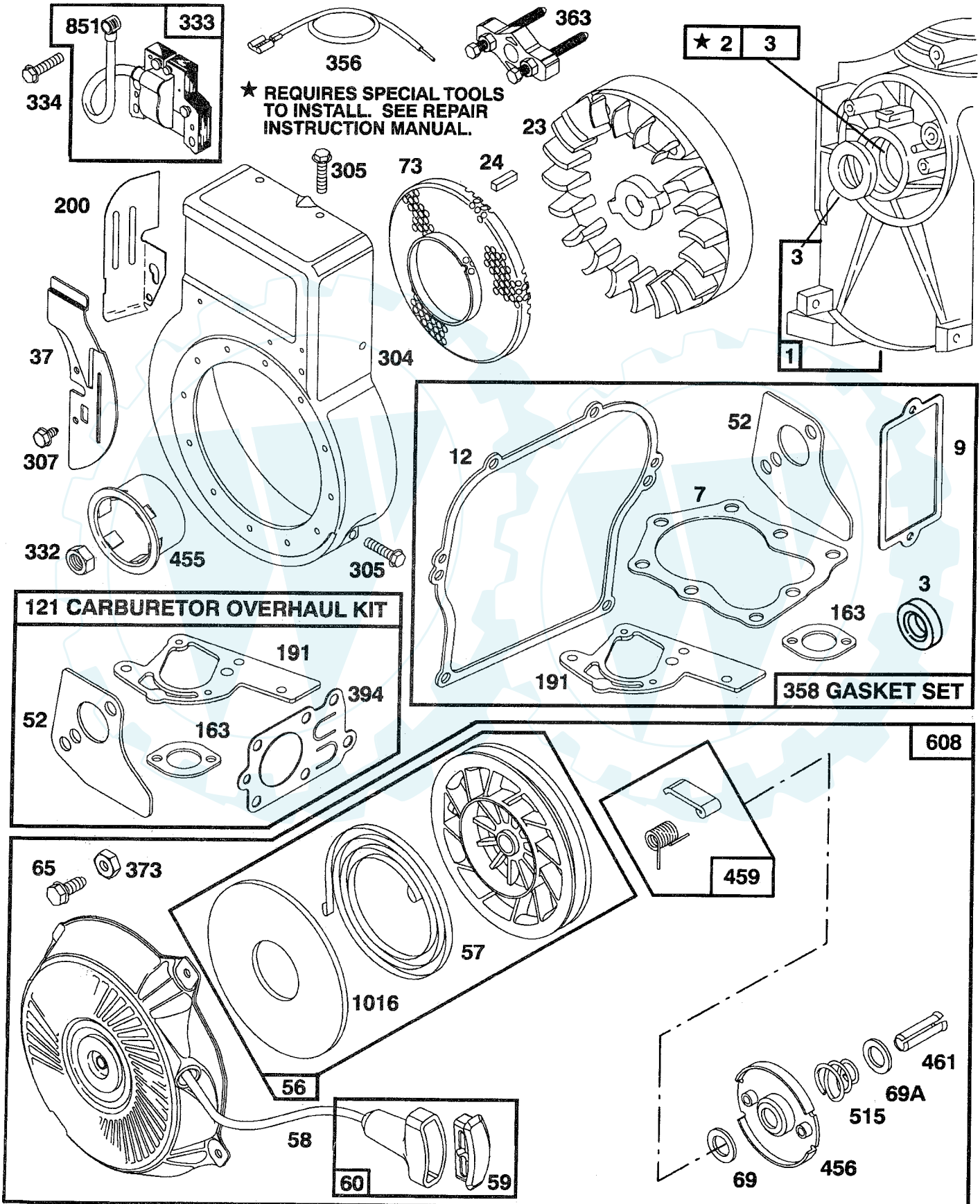
ENGINE, BRIGGS & STRATTON - - MODEL NUMBER 135202, TYPE NO. 0237-01



REPAIR PARTS

TILLER - - MODEL NUMBER AYP3455B59

ENGINE, BRIGGS & STRATTON - - MODEL NUMBER 135202, TYPE NO. 0237-01



REPAIR PARTS

TILLER - - MODEL NUMBER AYP3455B59

ENGINE, BRIGGS & STRATTON - - MODEL NUMBER 135202, TYPE NO. 0237-01

KEY PART NO.	NO.	DESCRIPTION	KEY PART NO.	NO.	DESCRIPTION
1	395990	Cylinder Assembly	40	93312	Retainer, Intake Valve and Exhaust Spring
2	297565	Bushing, Cylinder	45	260642	Tappet, Valve
3	299819	* Seal, Oil	46	212733	Gear, Cam
5	214040	Head, Cylinder	52	272585	*** Gasket, Carburetor Mounting (2)
7	272157	* Gasket, Cylinder Head	55	494846	Housing, Rewind Starter
8	495774	Breather Assembly	56	493824	Pulley, Rewind Starter
9	27549	* Gasket, Valve Cover	57	262594	Spring, Rewind Starter
10	94621	Screw, Breather Mounting	58	280406	Rope, Rewind Starter
11	66578	Grommet, Breather Tube	59	396892	(Cut to Required Length)
12	270080	* Gasket, Crankcase, Standard .015"	60	393152	Insert, Starter Handle
	270125	* Gasket, Crankcase .005" Thick	65	94686	Handle, Rewind Starter
	270126	* Gasket, Crankcase .009" Thick	69	280973	Screw, Housing Mounting
13	94221	Screw, Cylinder Head 2-3/32"	69A	224322	Washer
14	94679	Screw, Cylinder Head 2-15/32"	73	224883	Washer
15	93448	Plug, Pipe, Hex Socket	81	222263	Screen, Rotating
	94387	Plug, Oil Drain	90	495426	Lock, Screw
16	492088	Crankshaft	95	93499	Carburetor Assembly
	230978	Gear Pin, Crankshaft	96	223793	Screw, Throttle Valve to Shaft
18	494044	Cover Assembly, Crankcase	97	490048	Throttle, Carburetor
19	495660	Bushing, Crankcase Cover	108	491177	Shaft and Lever, Throttle
20	294606	* Seal, Oil	118	231533	Valve and Shaft Group, Choke
21	66768	Plug, Oil Filler	121	495606	Valve, Needle
22	94682	Screw, Cover Mounting	124	94616	Carburetor Overhaul Kit
	94666	Stud, Crankcase Cover	127	220352	Screw, Hex Head
23	399673	Flywheel, Magneto	127A	223789	Plug, Welch
24	222698	Key, Flywheel	149	26336	Plug, Welch
25	298904	Piston Assembly, Standard Size	152	260575	Spring, Needle Valve
	298905	Piston Assembly .010" Oversize	153	490589	Spring, Throttle Adjustment
	298906	Piston Assembly .020" Oversize	154	93527	Screw and Collar
	298907	Piston Assembly .030" Oversize	154	93527	Screw, Machine, Round Head
26	298982	Ring Set, Piston, Standard Size	163	271935	*** Gasket, Air Cleaner Mounting
	299742	Ring Set, Piston, Standard, Chrome	180	495391	Tank Assembly, Fuel
	298983	Ring Set, Piston .010" Oversize	181	494559	Cap, Fuel Tank
	298984	Ring Set, Piston .020" Oversize	190	94712	Screw, Fuel Tank
	298985	Ring Set, Piston .030" Oversize	190A	94677	Screw, Fuel Tank Mounting 1-3/4"
27	26026	Lock, Piston Pin	191	272489	*** Gasket, Fuel Tank to Carburetor
28	298909	Pin Assembly, Piston, Standard	200	223886	Guide, Air
	298908	Pin Assembly, Piston .005" Over	201	262280	Link, Governor
29	299430	Rod Assembly, Connecting	202	262270	Link, Throttle
	390459	Rod Assembly, Connecting .020" Undersize Crankpin Bore			
30	221890	Dipper, Connecting Rod			
32	94745	Screw, Connecting Rod			
33	211119	Valve, Exhaust			
34	261044	Valve, Intake			
35	260552	Spring, Intake Valve			
36	26478	Spring, Exhaust Valve			
37	222443	Guard, Flywheel			

* Included in Gasket Set (495603)
 ** Included in Carburetor Overhaul Kit (495606)
 *** Included in both Gasket Set (495603), and Carburetor Overhaul Kit (495606)

NOTE: All component dimensions given in U.S. inches
 1 inch = 25.4 mm

TILLER - - MODEL NUMBER AYP3455B59

ENGINE, BRIGGS & STRATTON - - MODEL NUMBER 135202, TYPE NO. 0237-01

KEY PART NO. NO.	DESCRIPTION	KEY PART NO. NO.	DESCRIPTION
202A 262470	Link, Control	526 94659	Screw, Sems, Tank Bracket Mount.
203 280720	Bell Crank	527 223786	Clamp, Breather Tube
204 222962	Bushing, Governor Lever, Flat	528 231550	Tube, Breather
205 231520	Screw, Shoulder	529 67838	Grommet, Breather Tube
208 262279	Rod, Speed Control	542 93572	Screw
209 262282	Spring, Governor	552 231079	Bushing, Governor Crank
216 262359	Link, Choke	562 92613	Bolt, Governor Lever
219 494845	Gear, Governor	592 231082	Nut, Hex
220 221551	Washer, Thrust	608 495766	Starter Assembly, Rewind
222 490649	Panel, Control	611 391813	Fuel Pipe and Clip Assembly
223 223455	Lever, Governor Control	613 93935	Screw, Hex Head, Shoulder
224 93491	Rivet, Governor Control Lever Mounting	614 93306	Pin, Cotter
227 490374	Lever Assembly, Governor	616 231077	Crank, Governor
230 222450	Washer, Governor Lever	621 396847	Switch, Stop
256 223813	Crank, Bell	634 271853	Washer, Throttle Shaft, Foam
300 393615	Muffler, Exhaust	635 66538	Elbow, Spark Plug
304 495759	Housing, Blower	676 393757	Deflector, Exhaust, Side Outlet
305 94619	Screw, Blower Housing Mounting	679 270382	Washer, Foam
306 224820	Shield, Cylinder	680 221839	Washer, Brass
307 94680	Screw, Cylinder Shield	741 261696	Gear, Timing
308 224738	Cover, Cylinder Head	851 221798	Cable Terminal, Ignition
332 92284	Nut, Flywheel	869 211787	Seat, Intake Valve, Standard
333 397358	Armature Group	870 211172	Seat, Exhaust Valve, Standard
334 93414	Screw, Armature Mounting	871 262001	Guide, Exhaust Valve
337 802592	Plug, Spark	63709	Guide, Intake Valve
346 93705	Screw, Sems	916 280321	Rack, Gear Control
56 398808	Wire, Ground	966 492797	Base, Air Cleaner
358 495603	Gasket Set	967 491588	Filter, Air Cleaner
363 19069	Flywheel Puller	968 495872	Cover, Air Cleaner
373 92987	Nut, Hex	969 490073	Screw, Air Cleaner
383 89838	Wrench, Spark Plug	971 94018	Screw, Hex Head
392 262328	Spring, Fuel Pump Diaphragm	987 398970	Seal, Throttle Shaft
394 272650	** Diaphragm	995 491577	Lever, Bracket Assembly
414 220982	Washer	1012 490507	Retainer, Link
432 221377	Cap, Spring	1016 224278	Spacer
433 93265	Pin, Diaphragm Cover		
434 213963	Cover, Diaphragm		
435 93141	Screw, Diaphragm Cover		
455 224250	Cup, Starter		
456 224321	Retainer		
459 492833	Pawl, Starter		
461 262626	Pin, Spring		
467 280715	Knob, Control		
515 262625	Spring		

RPM Settings: Low: 1200-1600, High: 3500-3700

- * Included in Gasket Set (495603)
- ** Included in Carburetor Overhaul Kit (495606)
- *** Included in both Gasket Set (495603), and Carburetor Overhaul Kit (495606)

NOTE: All component dimensions given in U.S. inches
1 inch = 25.4 mm