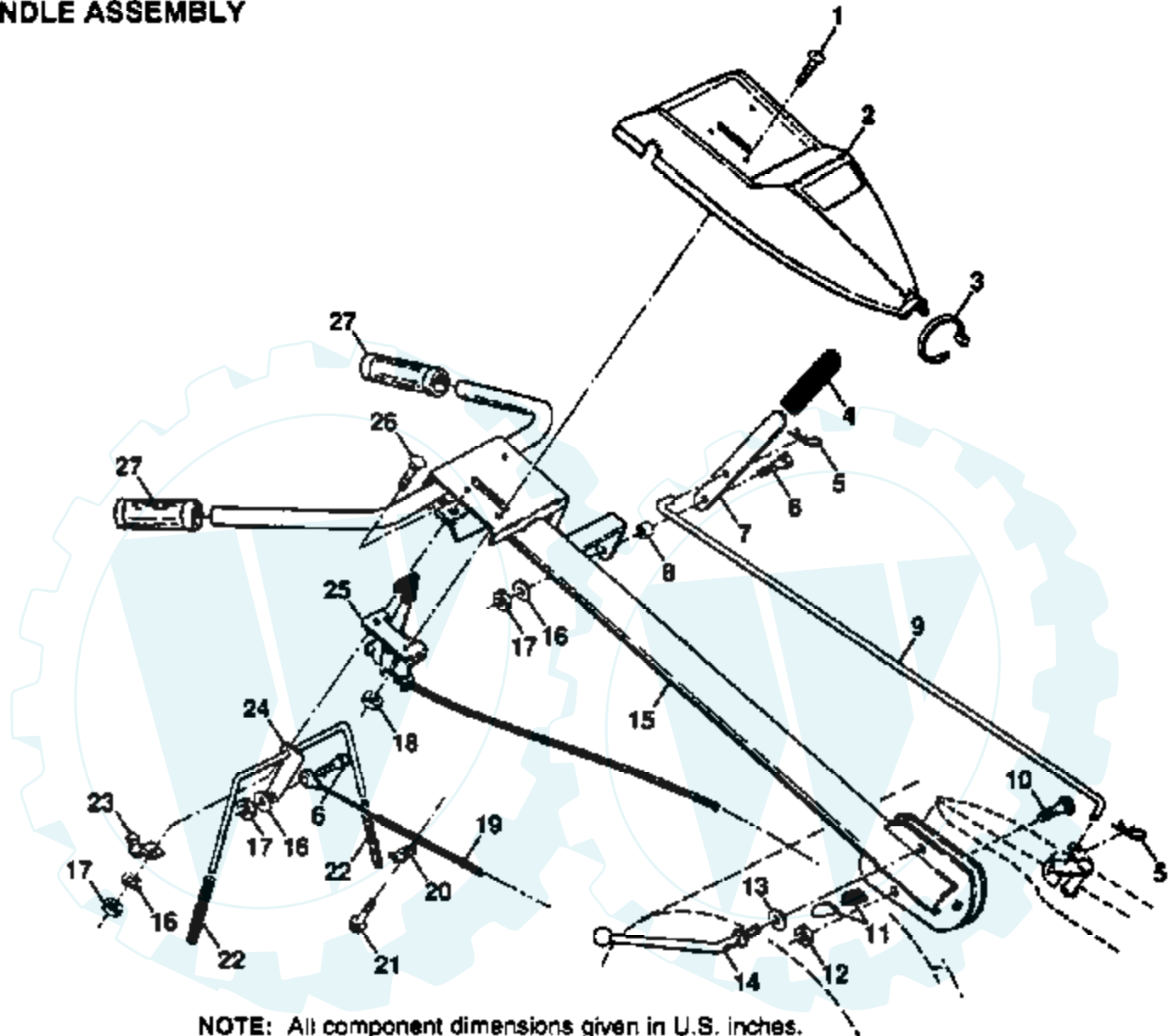


5 HP 17" TILLER - - MODEL NUMBER 95220 (952200)

HANDLE ASSEMBLY

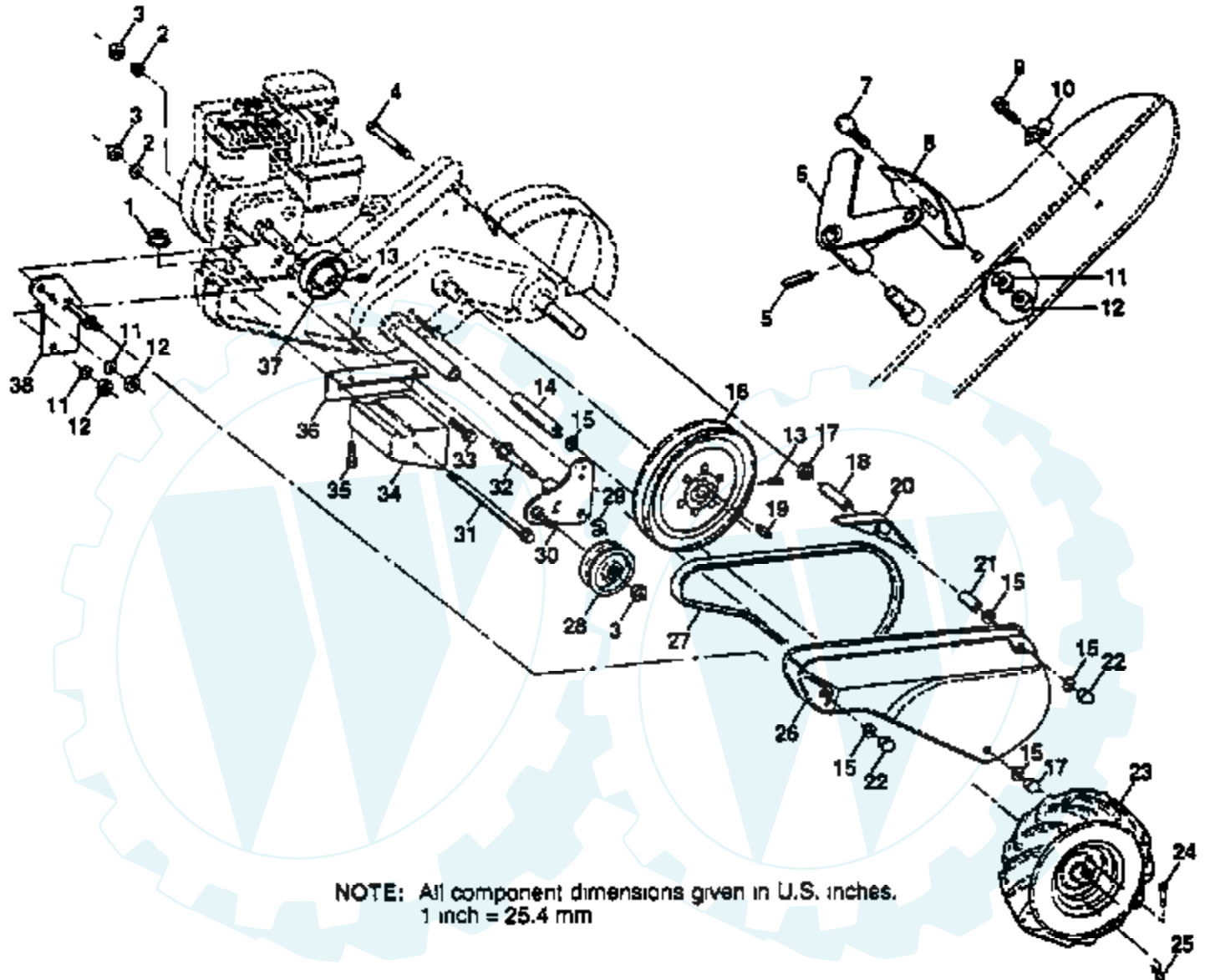


NOTE: All component dimensions given in U.S. inches.
1 inch = 25.4 mm

| Ref # | Part Number | Qty | Description |
|-------|-------------|-----|---------------------|
| 1 | 71091008 | | SCREW |
| 2 | 126951X | | "PANEL,CONT TI" |
| 3 | 104164X | | TIE CABLE CRT |
| 4 | 8206H | | GRIP T |
| 5 | 4497H | | RETAINER M |
| 6 | 81328 | | SHOULDER BOLT ST |
| 7 | 109335X | | SHIFT HANDLE CRT |
| 8 | 109313X | | GROMMET CRT |
| 9 | 109337X | | SHIFT ROD CRT |
| 10 | 72110608 | | BOLT D |
| 11 | 109229X | | LOCK CRT |
| 12 | 5394H | | SUB= 73930600 |
| 13 | 19131611 | | WASHER CRT |
| 14 | 109228X | | LEVER LOCK CRT |
| 15 | 127013X417 | | SUB= 155117 |
| 16 | 10040400 | | LOCKWASHER |
| 17 | 73220400 | | SUB= 50675 |
| 18 | 73731000 | | NUT |
| 19 | 102162X | | CABLE.CLUTCH.CRT |
| 20 | 9484R | | CONDIUT CLIP T |
| 21 | 86777 | | SUB= 750097 |
| 22 | 102604X | | GRIP BAR CRT |
| 23 | 102744X | | SUB= 102744X431 |
| 24 | 105216X | | "ASSY CONTROL, BAR" |
| 25 | 127012X | | "CONT,THROTTLE" |
| 26 | 72140404 | | BOLT |
| 27 | 9266R | | SUB= 624A78 |
| | 134328 | | MANUAL |
| | 134330 | | INSTRUCTION DECAL |
| | 134331 | | NLA |
| | 120431X | | DECAL TI |

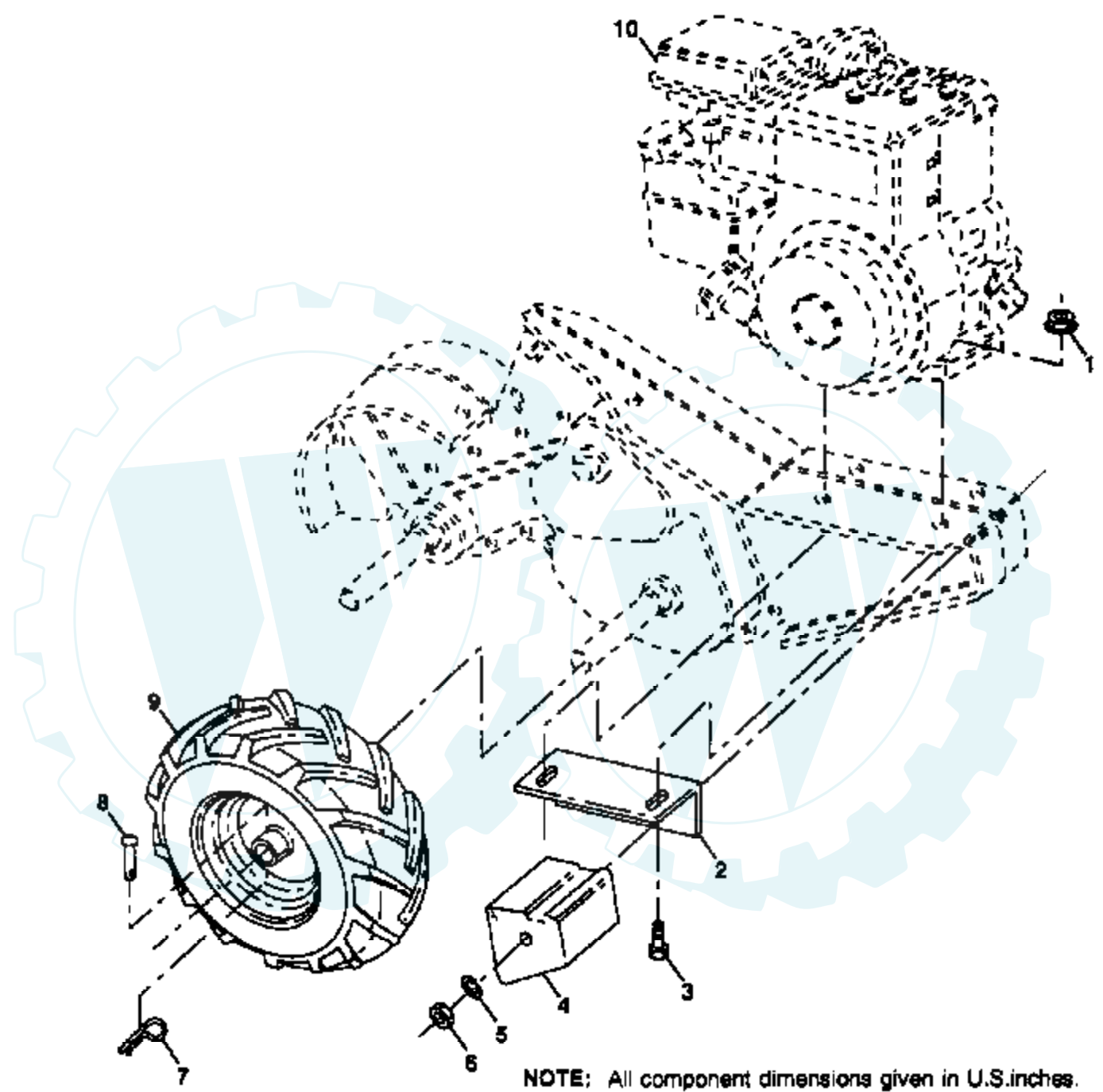
5 HP 17" TILLER - - MODEL NUMBER 95220 (952200)

MAINFRAME, LEFT SIDE



| Ref # | Part Number | Qty | Description |
|-------|-------------|-----|-------------------|
| 1 | 73510500 | | NUT |
| 2 | 10040600 | | LOCKWASHER |
| 3 | 73220600 | | NUT.HEX.3/8-16UNC |
| 4 | 74930568 | | BOLT TI |
| 5 | 1572H | | SUB= 2882J |
| 6 | 110111X | | LEVER ASM CRT |
| 7 | 72110404 | | BOLT |
| 8 | 8700J | | PANEL TI |
| 9 | 86777 | | SUB= 750097 |
| 10 | 9484R | | CONDIUT CLIP T |
| 11 | 10040400 | | LOCKWASHER |
| 12 | 73220400 | | SUB= 50675 |
| 13 | 23230506 | | SET SCREW |
| 14 | 120938X | | SPACER |
| 15 | 19111116 | | WASHER |
| 16 | 100473M | | "SHEAVE 10"" CRT" |
| 17 | 73220500 | | NUT.HEX.5/16-18 |
| 18 | 110651X | | SPACER CRT |
| 19 | 2649M | | KEY T |
| 20 | 110653X | | GUARD CRT |
| 21 | 131691 | | SPLIT SPACER |
| 22 | 104214X | | NUT TI |
| 23 | 102190X | | TIRE.CHV.13X5.0-6 |
| | 109208X | | SUB= 124258X |
| | 795R | | SUB= 65139 |
| 24 | 126875X | | RIVET.DRILL.1.75 |
| 25 | 4497H | | RETAINER M |
| 26 | 131159X417 | | "GUARD, BELT" |
| 27 | 132672 | | BELT-V |
| 28 | 104679X | | PULLEY-IDLER TI |
| 29 | 12000032 | | KLIP RING |
| 30 | 105611X | | SUB= 918105611X |
| 31 | 102384X | | BOLT CRT |
| 32 | 102141X | | SHIFT ARM CRT |
| 33 | 74760616 | | BOLT |
| 34 | 102383X | | COUNTERWEIGHT CRT |
| 35 | 74760524 | | BOLT.HEX.5/16-1.5 |
| 36 | 102331X | | BRACKET LH CRT |
| 37 | 130816 | | ENGINE SHEAVE |
| 38 | 131558 | | BELT GUARD BRKT |
| | 102180X | | DECAL CRT |
| | 134332 | | NLA |

5 HP 17" TILLER - - MODEL NUMBER 95220 (952200) MAINFRAME, RIGHT SIDE



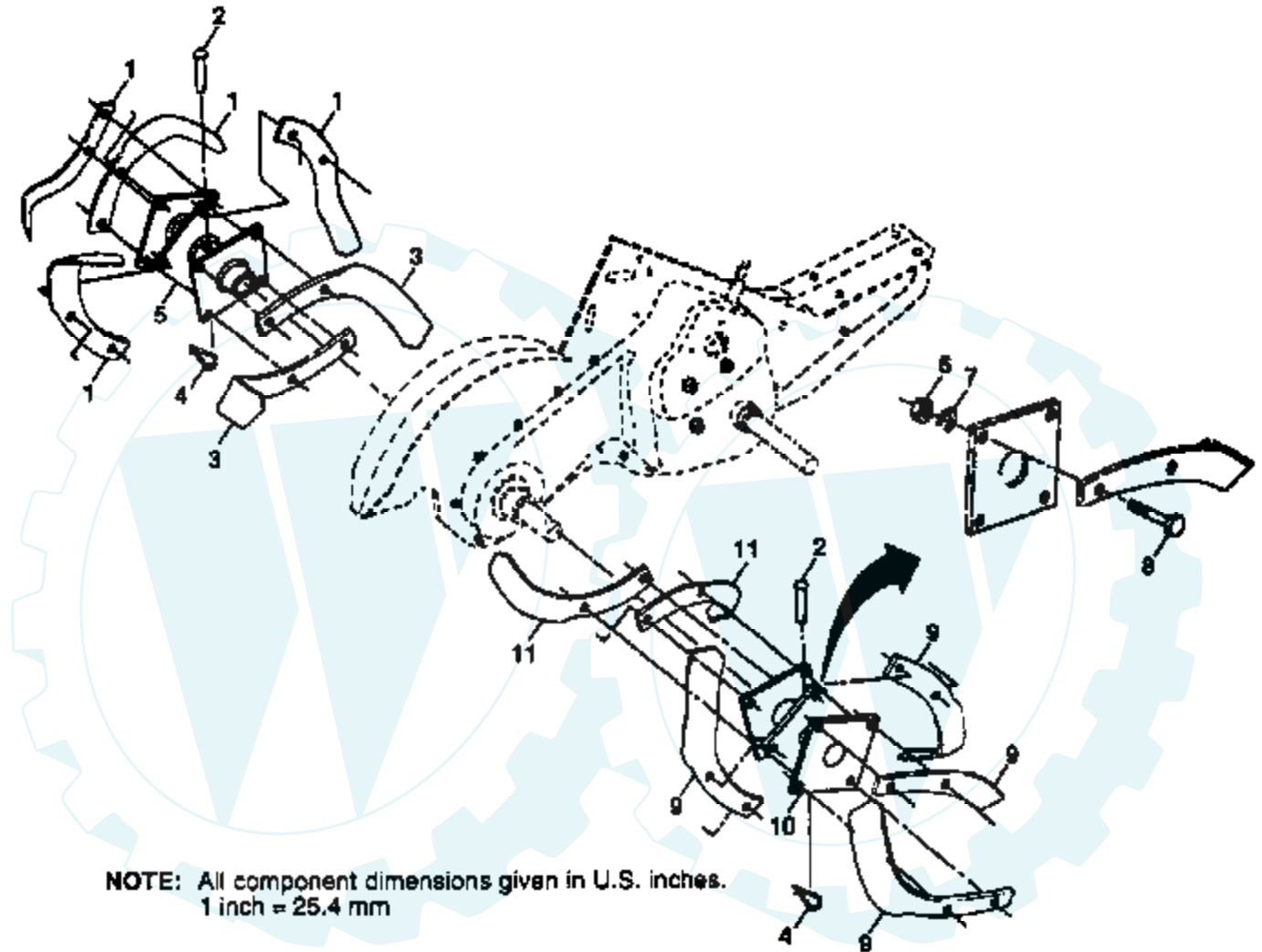
NOTE: All component dimensions given in U.S.inches.
1 inch = 25.4 mm

| Ref # | Part Number | Qty | Description |
|-------|-------------|-----|-------------------|
| 1 | 73510500 | | NUT |
| 2 | 102332X | | BRACKET RH CRT |
| 3 | 74760524 | | BOLT.HEX.5/16-1.5 |
| 4 | 102173X | | COUNTERWEIGHT CRT |
| 5 | 10040600 | | LOCKWASHER |
| 6 | 73220600 | | NUT.HEX.3/8-16UNC |
| 7 | 4497H | | RETAINER M |
| 8 | 126875X | | RIVET.DRILL.1.75 |
| 9 | 102190X | | TIRE.CHV.13X5.0-6 |
| | 109208X | | SUB= 124258X |
| | 795R | | SUB= 65139 |
| 10 | 130202 | | NLA |
| | 121543X | | SUB= 271948 |
| | 110593X | | SUB= 121858X |



5 HP 17" TILLER - - MODEL NUMBER 95220 (952200)

TINE ASSEMBLY

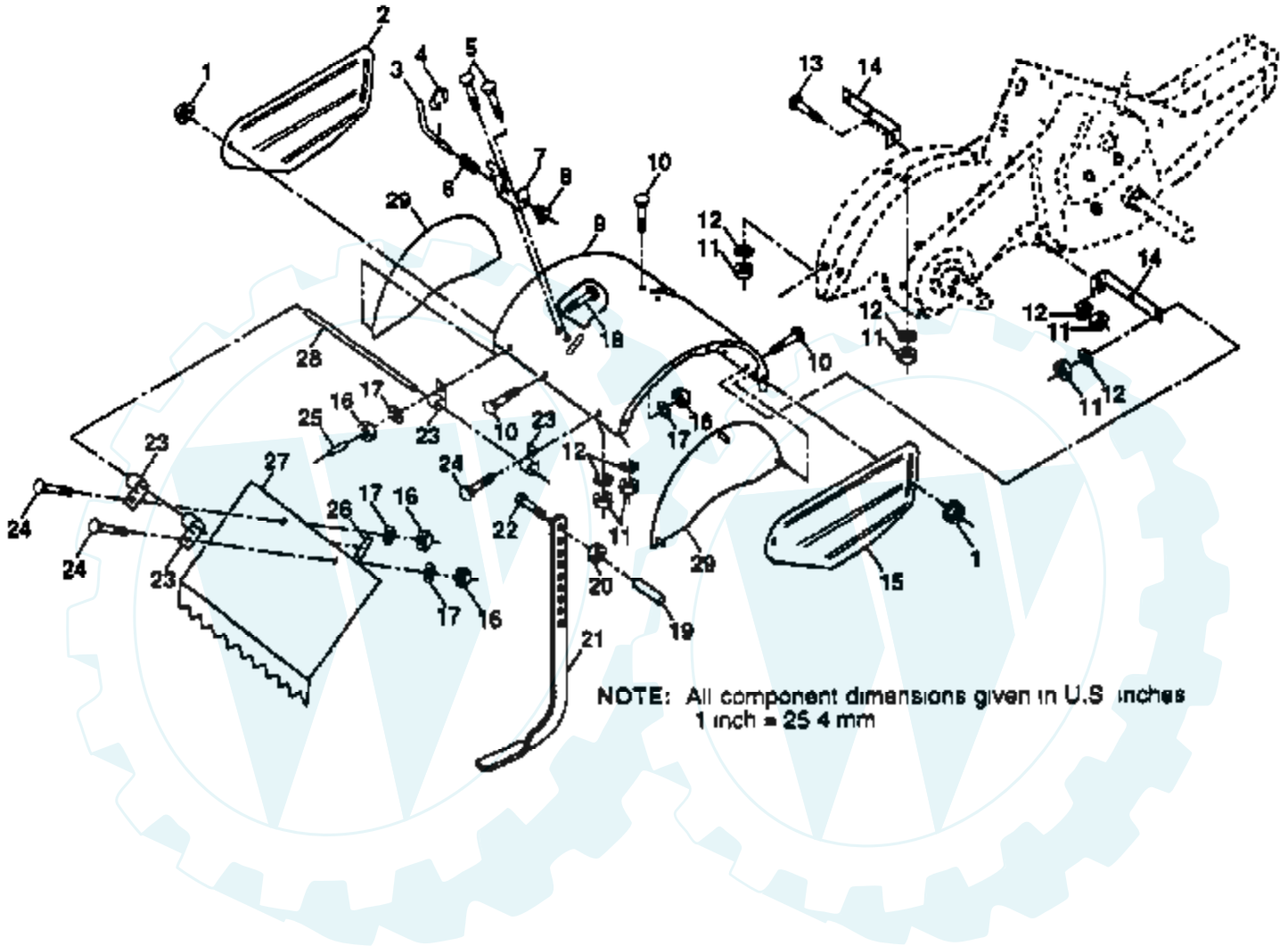


| Ref # | Part Number | Qty | Description |
|-------|-------------|-----|------------------|
| 1 | 4459J | | SUB= 6554J |
| 2 | 132673 | | PIN.CLEVIS.SHEAR |
| 3 | 6554J | | "TINE.LH.12"" |
| 4 | 3146R | | RETAINER.SPRING |
| 5 | 132727 | | HUB&PLATE ASM LH |
| 6 | 73610600 | | SUB= 7810H |
| 7 | 10040600 | | LOCKWASHER |
| 8 | 74610616 | | BOLT |
| 9 | 4660J | | SUB= 100731K |
| 10 | 132728 | | HUB&PLATE ASM RH |
| 11 | 6555J | | "TINE.RH.12"" |



5 HP 17" TILLER - - MODEL NUMBER 95220 (952200)

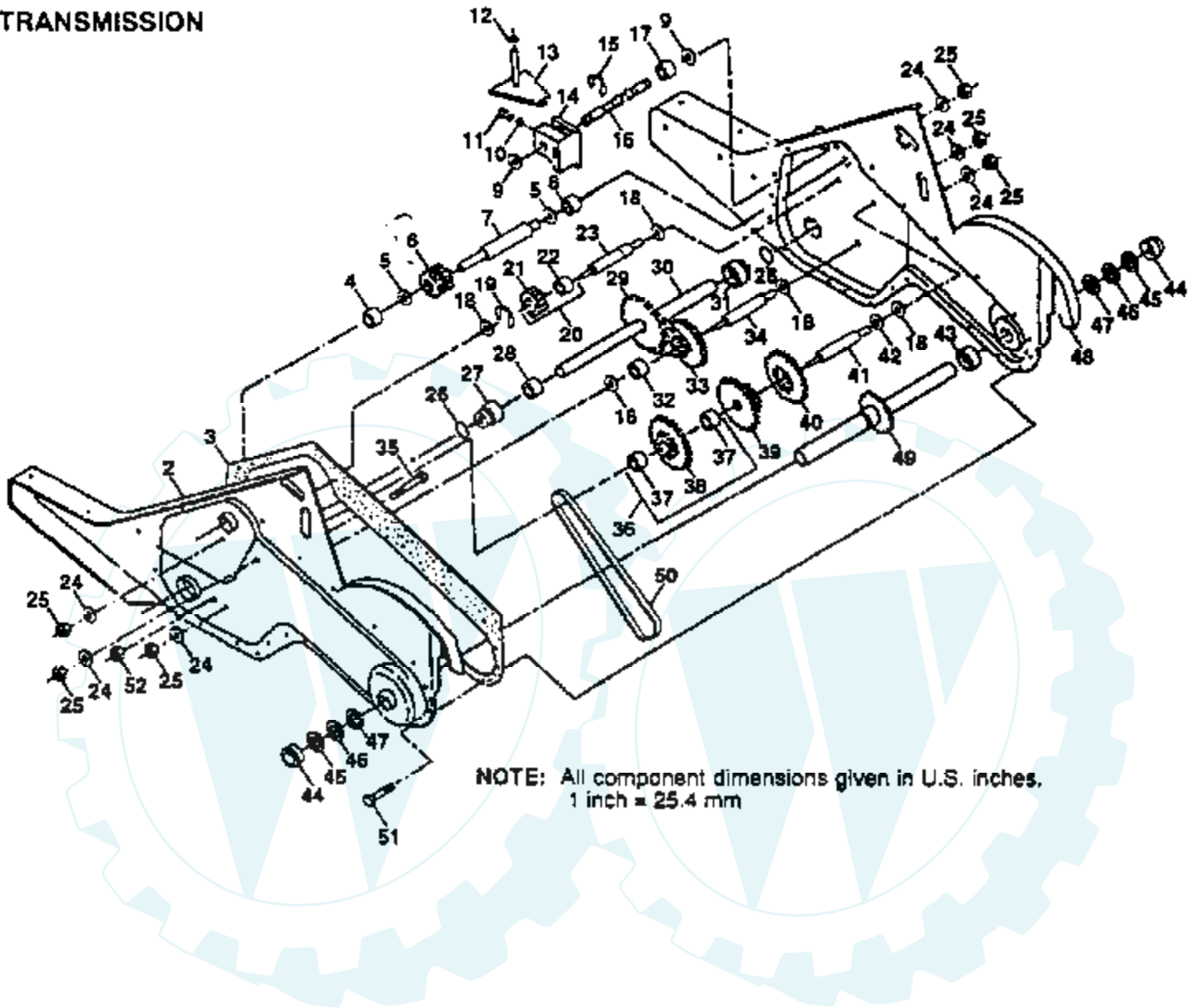
TINE SHIELD



| Ref # | Part Number | Qty | Description |
|-------|-------------|-----|-------------------|
| 1 | 98000129 | | NUT |
| 2 | 104086X417 | | SHIELD.SD.OUT.LH |
| 3 | 8393J | | STAKE PIN TI |
| 4 | 12000036 | | KLIP RING TI |
| 5 | 72110508 | | BOLT CRT |
| 6 | 8394J | | SPRING TI |
| 7 | 8392J | | LATCH BRACKET TI |
| 8 | 109230X | | SPRING CRT |
| 9 | 102326X417 | | "SHIELD,TINE" |
| 10 | 72140506 | | BOLT |
| 11 | 73220500 | | NUT.HEX.5/16-18 |
| 12 | 10040500 | | LOCKWASHER |
| 13 | 72110510 | | BOLT |
| 14 | 124343X | | BRKT SHIELD TINE |
| 15 | 104101X417 | | SHIELD.SD.OUT.RH |
| 16 | 73220400 | | SUB= 50675 |
| 17 | 10040400 | | LOCKWASHER |
| 18 | 72040410 | | BOLT |
| 19 | 102701X | | GRIP CRT |
| 20 | 73220600 | | NUT.HEX.3/8-16UNC |
| 21 | 102156X | | SUB= 102156X500 |
| 20 | 73220600 | | NUT.HEX.3/8-16UNC |
| 21 | 102156X | | SUB= 102156X500 |
| 22 | 74930632 | | BOLT |
| 23 | 4440J | | HINGE CRT |
| 24 | 72140404 | | BOLT |
| 25 | 6712J | | VINYL CAP TI |
| 27 | 102695X417 | | SHIELD LEVELING |
| 28 | 120588X | | PIN HINGE |
| 29 | 104085X417 | | SHIELD SIDE |
| | 134329 | | NLA |
| | 120075X | | DECAL TI |

5 HP 17" TILLER - - MODEL NUMBER 95220 (952200)

TRANSMISSION



NOTE: All component dimensions given in U.S. inches.
1 inch = 25.4 mm

| Ref # | Part Number | Qty | Description |
|-------|-------------|-----|-------------------|
| 1 | 132718 | | SUB= 155112 |
| 2 | 121147X | | SUB= 150698 |
| 3 | 106211X | | GASKET TI |
| 4 | 5020J | | NEEDLE BRNG LT |
| 5 | 1370H | | "T, BEARING" |
| 6 | 102113X | | PINION-INPUT CRT |
| 7 | 102110X | | SHAFT-INPUT CRT |
| 8 | 4895H | | "TI, BEARING" |
| 9 | 102136X | | WASHER SEAL CRT |
| 10 | 7392M | | SUB= 100482K |
| 11 | 100371K | | SPRING-SHIFT CRT |
| 12 | 106160X | | O-RING TI |
| 13 | 102107X | | ARM ASSY CRT |
| 14 | 8353J | | SHIFT FORK TI |
| 15 | 12000039 | | KLIP RING |
| 16 | 102109X | | SHAFT SHIFT CRT |
| 17 | 104159X | | SPACER SPLIT CRT |
| 18 | 4358J | | WASHER |
| 19 | 12000040 | | KLIP RING |
| 20 | 102114X | | GEAR ASSY CRT |
| 21 | 102115X | | GEAR-REV IDLR CRT |
| 22 | 6803J | | NEEDLE BEARING TI |
| 23 | 102111X | | SHAFT CRT |
| 24 | 10040700 | | LOCKWASHER |
| 25 | 73610700 | | NUT.ASF.HEX.7/16 |
| 26 | 102128X | | O RING CRT |
| 27 | 102100X | | "CRT, BEARING" |
| 28 | 106390X | | BUSHING TI |
| 29 | 102134X | | CHAIN CRT |
| 30 | 109204X | | SUB= 150737 |
| 31 | 102106X | | SUB= 918102106X |
| 32 | 106388X | | SPACER TI |
| 33 | 102121X | | SPRCKT 8 GEAR CRT |
| 34 | 102112X | | SHFT 2ND RED. CRT |
| 35 | 102101X | | SCRW WHIZ LOK CRT |
| 36 | 106141X | | SUB= 137300 |
| 37 | 4422J | | BEARING |
| 38 | 106142X | | SUB= 137300 |
| 39 | 105345X | | GEAR TI |
| 40 | 105345X | | GEAR TI |
| 41 | 8358J | | REDUCTION SHFT TI |
| 42 | 4220R | | BRNG RACE |
| 43 | 106146X | | SPACER TI |
| 44 | 9672R | | CUP.FORMED. |
| 45 | 102144X | | RING SPIRAL CRT |
| 46 | 9676R | | SUB= 147344 |
| 47 | 9674R | | SUB= 147344 |
| 48 | 121745X | | SUB= 150700 |
| 49 | 132688 | | TINE SHAFT |
| 50 | 106147X | | CHAIN.50 LINK TI |
| 51 | 17580408 | | SCREW CRT |
| 52 | 73220500 | | NUT.HEX.5/16-18 |
| | 6066J | | GREASE PREMIUM-1 |