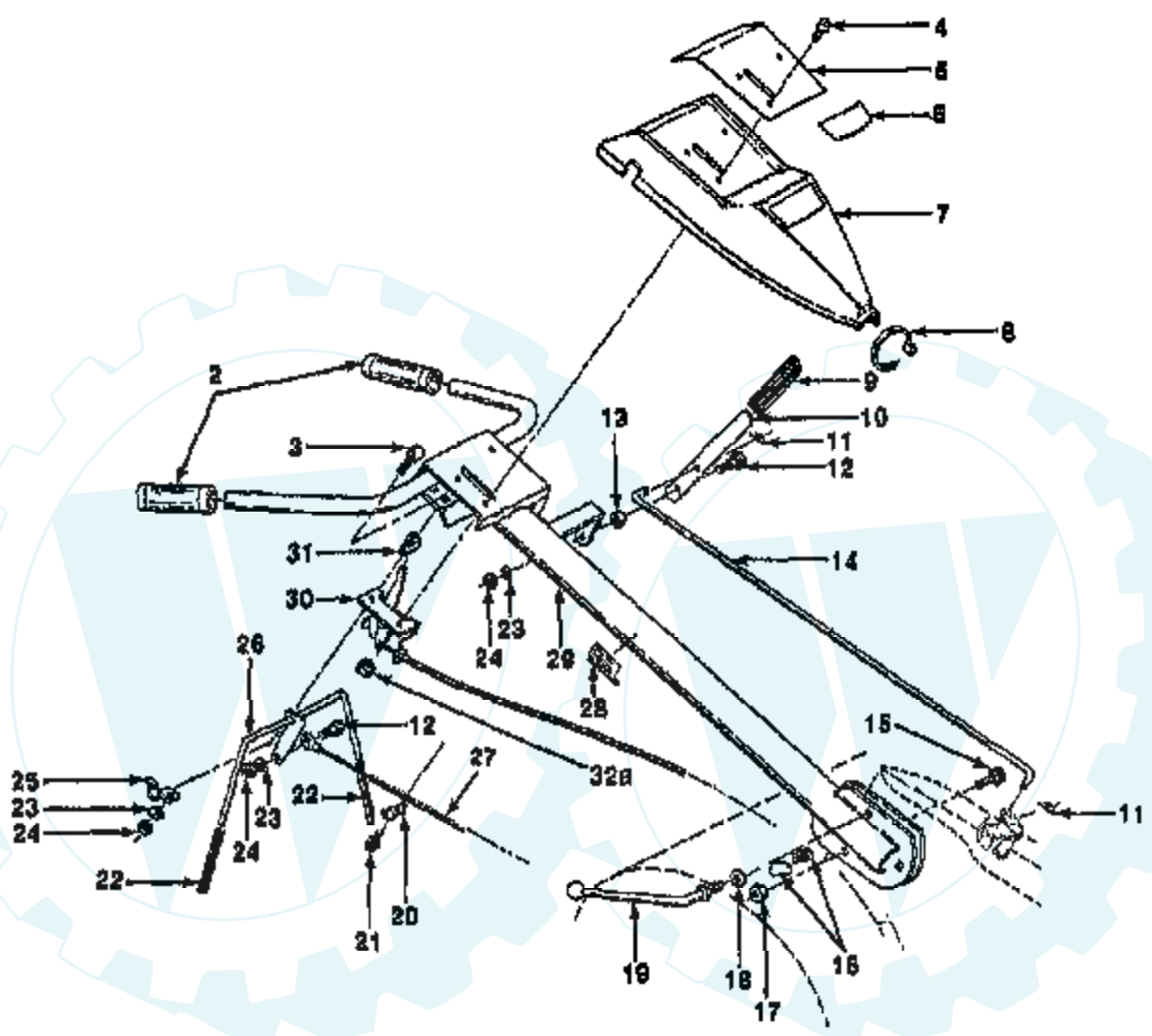


VI. REPAIR PARTS

Detail "A" - Handle Assembly

5 H.P. TILLER

5056-94



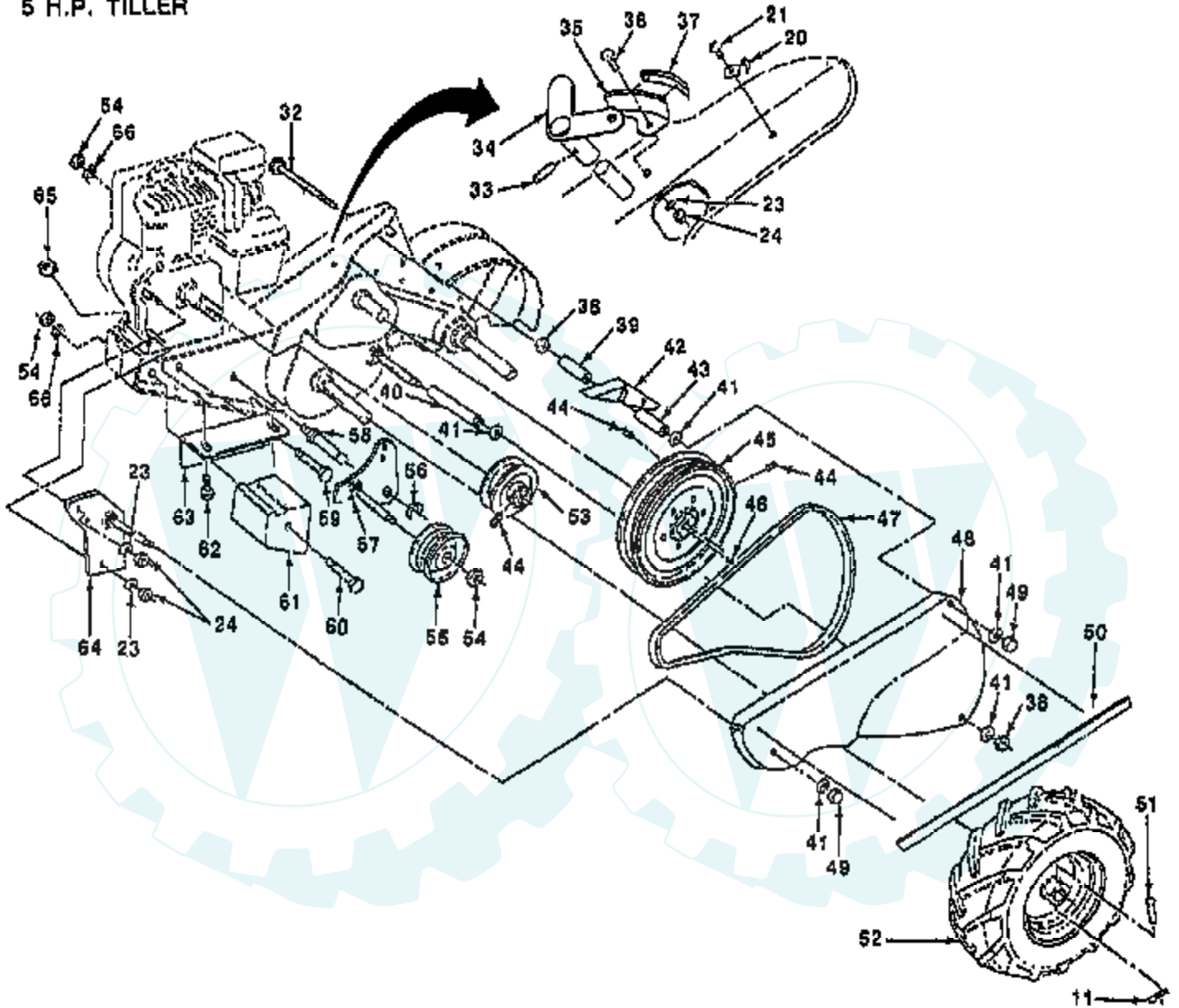
Ref #	Part Number	Qty	Description
2	9266R		SUB= 624A78
3	72140404		BOLT
4	71091008		SCREW
5	104322X		NLA
6	122898X		DECAL, CONTROL PANEL
7	120943X		PANEL CONTROL
8	104164X		TIE CABLE CRT
9	8206H		GRIP T
10	109335X		SHIFT HANDLE CRT
11	4497H		RETAINER M
12	81328		SHOULDER BOLT ST
13	109313X		GROMMET CRT
14	109337X		SHIFT ROD CRT
15	72110608		BOLT D
16	109229X		LOCK CRT
17	5394H		SUB= 73930600
18	19131611		WASHER CRT
19	109228X		LEVER LOCK CRT
20	9484R		CONDIUT CLIP T
21	86777		SUB= 750097
22	102604X		GRIP BAR CRT
23	10040400		LOCKWASHER
24	73220400		SUB= 50675
25	102744X		SUB= 102744X431
26	105216X		"ASSY CONTROL, BAR"
27	102162X		CABLE.CLUTCH.CRT
28	110614X		DECAL TI
29	120940X392		SUB= 120940X479
30	110670X		THROTTLE CRT
31	110680X		KNOB CRT
32A	73731000		NUT

5056-94

VI. REPAIR PARTS

Detail "B" - Mainframe, Left Side

5 H.P. TILLER



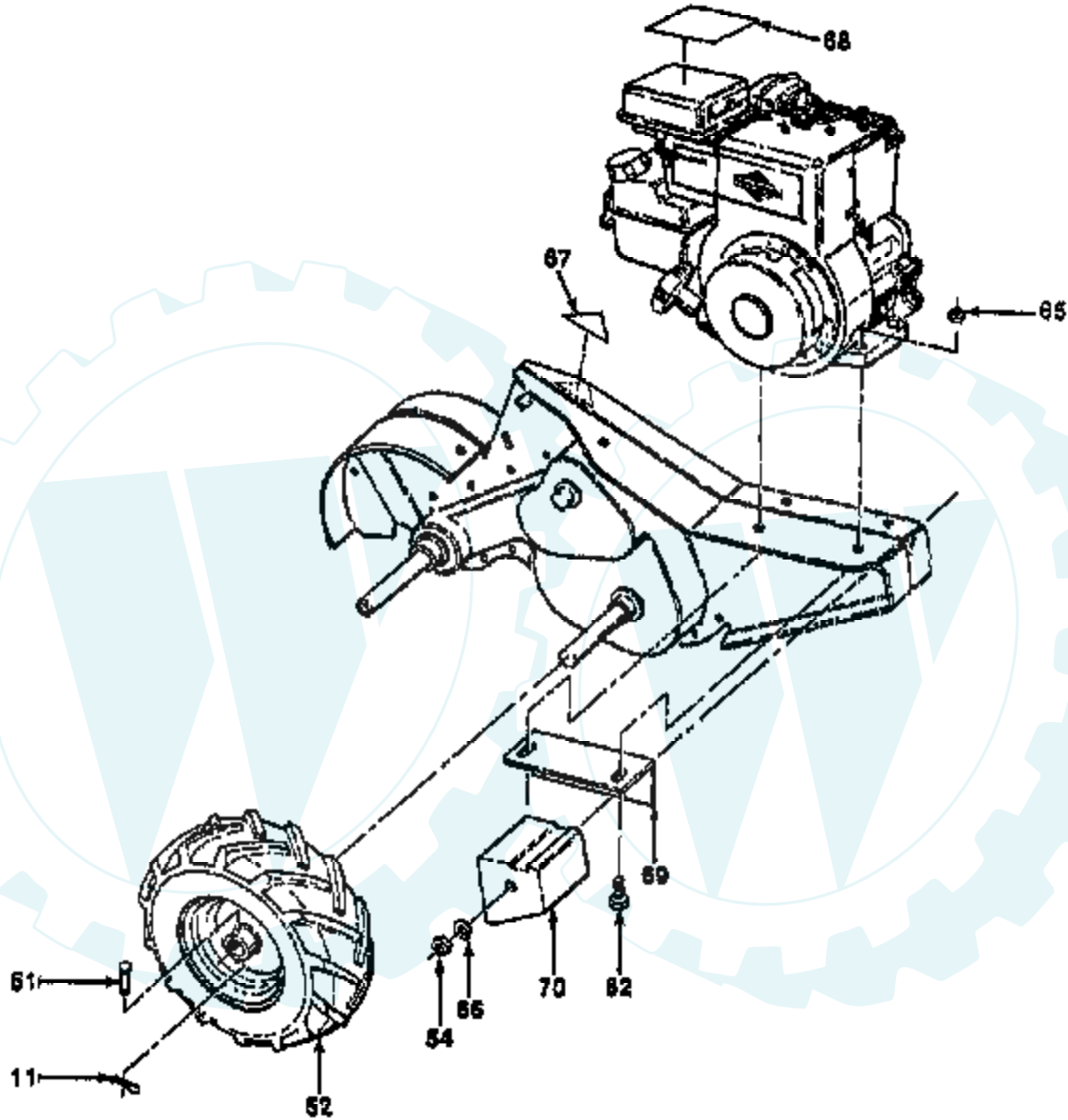
Ref #	Part Number	Qty	Description
32	74930576		BOLT-HEX TI
33	1572H		SUB= 2882J
34	110111X		LEVER ASM CRT
35	8700J		PANEL TI
36	72110404		BOLT
37	104323X		NLA
38	73220500		NUT.HEX.5/16-18
39	110651X		SPACER CRT
40	120938X		SPACER
41	19111116		WASHER
42	110653X		GUARD CRT
43	110652X		SPACER CRT
44	23230506		SET SCREW
45	100473M		"SHEAVE 10"" CRT"
46	2649M		KEY T
47	102143X		SUB= 132672
48	102148X392		SUB= 131159X475
49	104214X		NUT TI
50	122899X		DECAL BELT GUARD
51	102814X		SUB= 126875X
52	109208X		SUB= 124258X
52A	102190X		TIRE.CHV.13X5.0-6
52B	795R		SUB= 65139
53	102142X		SUB= 130816
54	73220600		NUT.HEX.3/8-16UNC
55	104679X		PULLEY-IDLER TI
56	12000032		KLIP RING
57	105611X		SUB= 918105611X
58	102141X		SHIFT ARM CRT
59	74760616		BOLT
60	102384X		BOLT CRT
61	102383X		COUNTERWEIGHT CRT
62	74760524		BOLT.HEX.5/16-1.5
63	102331X		BRACKET LH CRT
64	102376X		BRACKET ASSY CRT
65	73510500		NUT
66	10040600		LOCKWASHER
11	4497H		RETAINER M
20	9484H		SUB= 25321
21	86777		SUB= 750097
23	10040400		LOCKWASHER
24	73220400		SUB= 50675

5056-94

VI. REPAIR PARTS

Detail "C" - Mainframe, Right Side

6 H.P. TILLER



Ref #	Part Number	Qty	Description
67			REFER TO IMAGE
68	110612X		DECAL TI
69	102332X		BRACKET RH CRT
70	102173X		COUNTERWEIGHT CRT
11	4497H		RETAINER M
51	102814X		SUB= 126875X
52	109208X		SUB= 124258X
52A	102190X		TIRE.CHV.13X5.0-6
52B	795R		SUB= 65139
54	73220600		NUT.HEX.3/8-16UNC
62	74760524		BOLT.HEX.5/16-1.5
65	73510500		NUT
66	10040600		LOCKWASHER

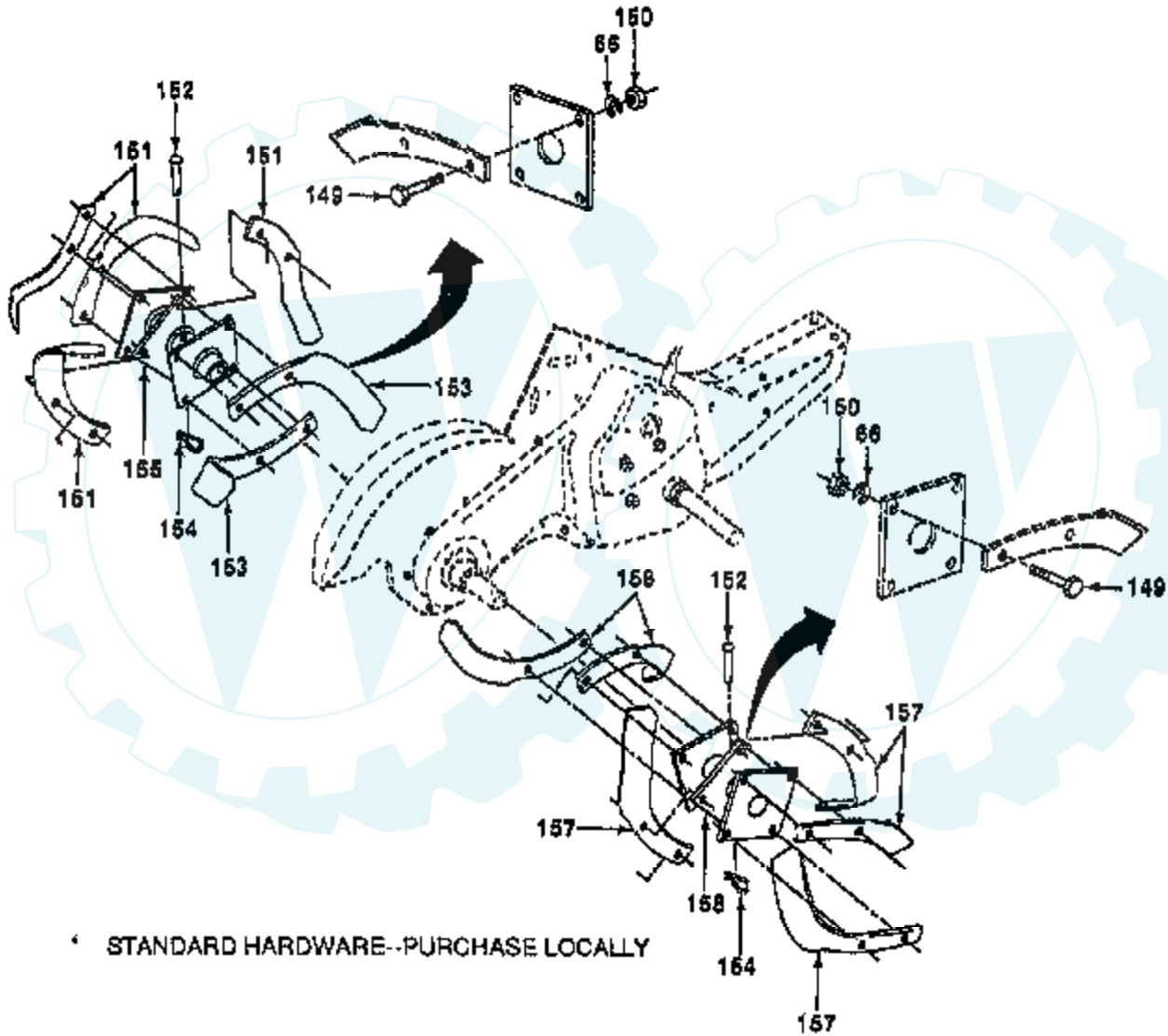


5056-94

VI. REPAIR PARTS

Detail "F" - Tines

5 H.P. TILLER



Ref #	Part Number	Qty	Description
149	74610616		BOLT
150	73610600		SUB= 7810H
151	4459J		SUB= 6554J
152	4929H		RIVET.PAN HD.1.75
153	6554J		"TINE.LH.12""
154	3146R		RETAINER.SPRING
155	102380X		TINE ASSY LH CRT
156	6555J		"TINE.RH.12""
157	4460J		SUB= 6555J
158	102382X		TINE ASSY RH CRT
	122894X		OWNERS MANUAL
66	10040600		LOCKWASHER

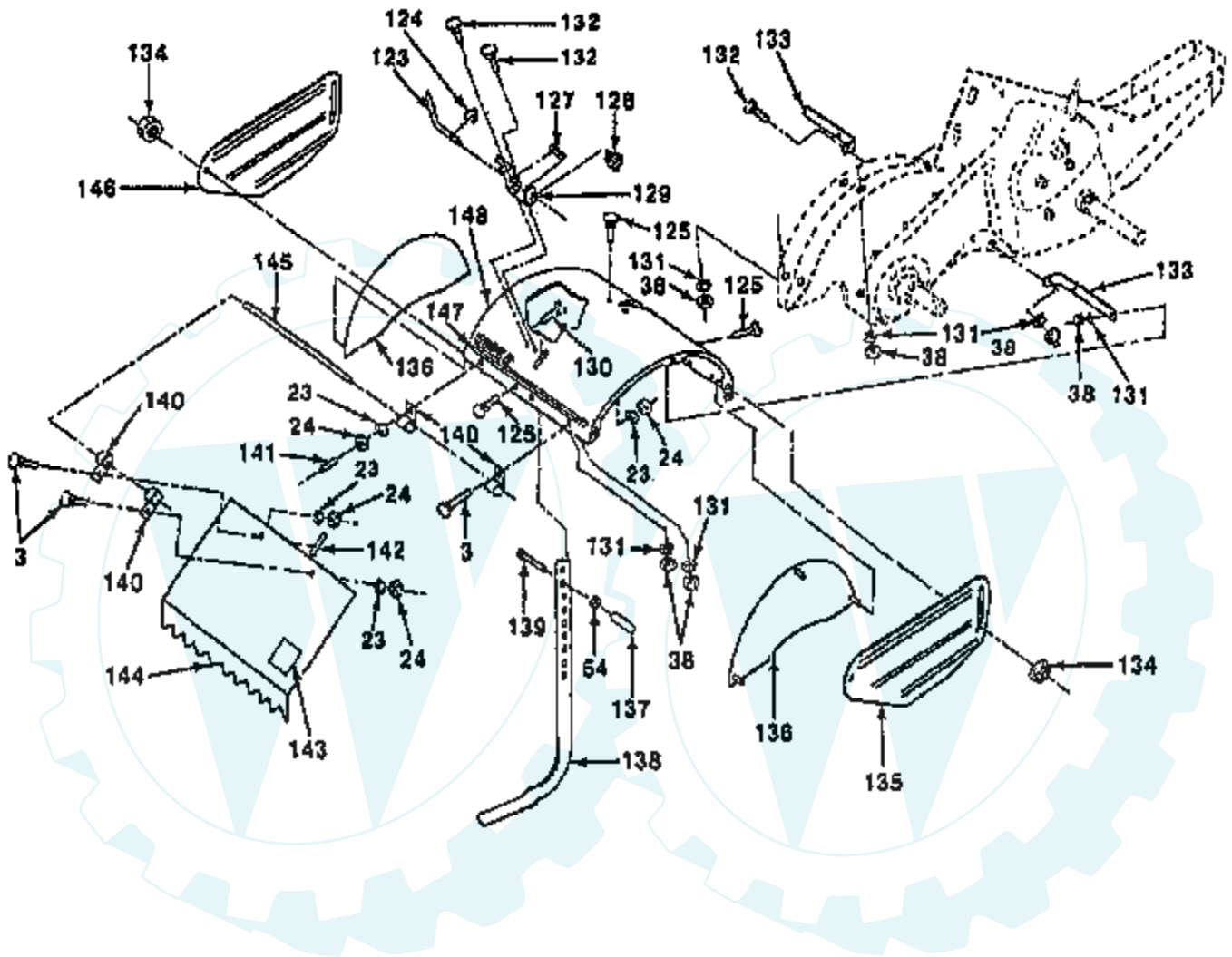


VI. REPAIR PARTS

Detail "E" - Tine Shield

5056-94

5 H.P. TILLER



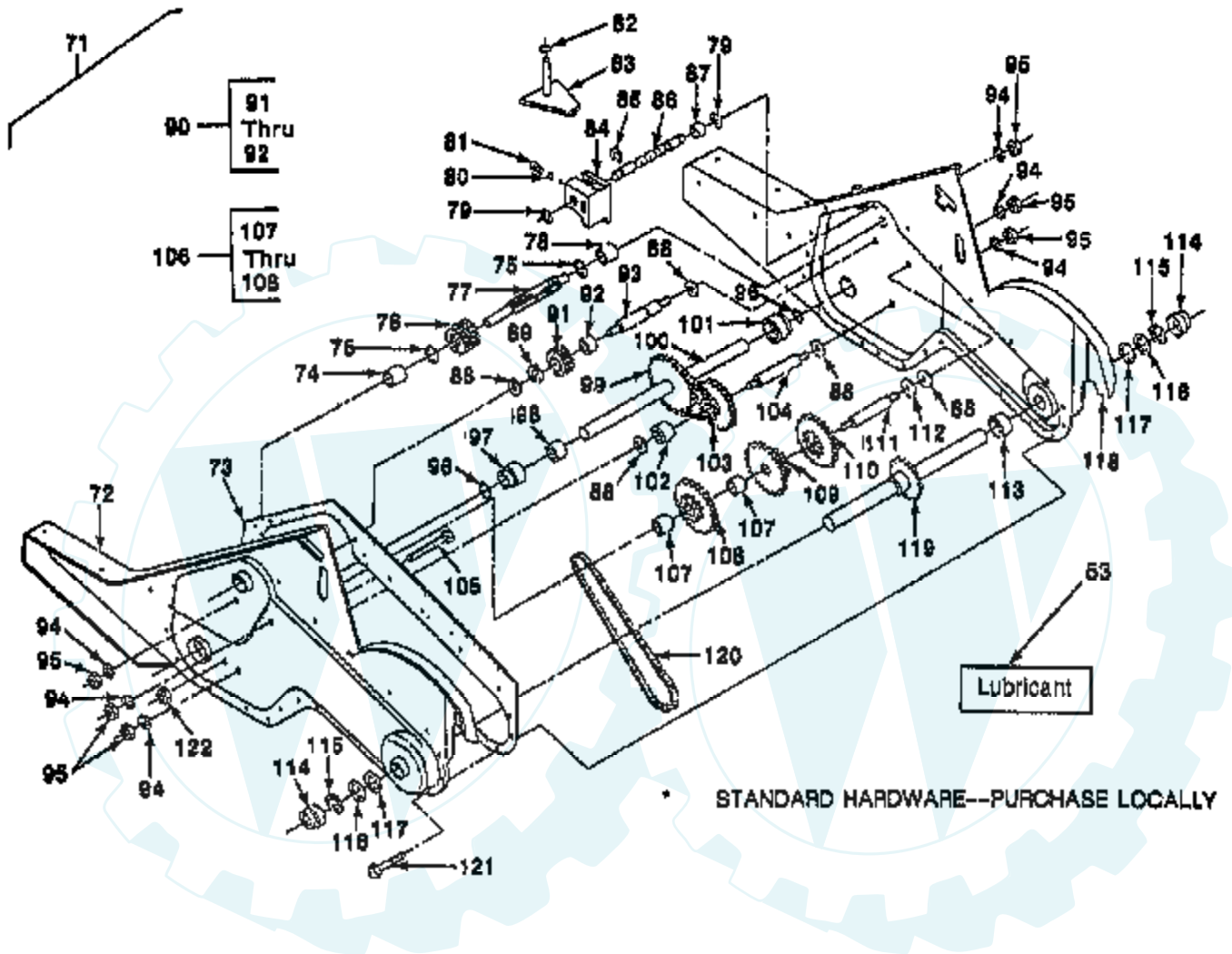
Ref #	Part Number	Qty	Description
123	8393J		STAKE PIN TI
124	12000036		KLIP RING TI
125	72140505		BOLT
127	8394J		SPRING TI
128	109230X		SPRING CRT
129	8392J		LATCH BRACKET TI
130	72040410		BOLT
131	10040500		LOCKWASHER
132	72110508		BOLT CRT
133	102155X		SUB= 124343X
134	98000129		NUT
135	104101X392		SHIELD.SD.OUT.RH
136	104085X388		SHIELD CRT
137	102701X		GRIP CRT
138	102156X		SUB= 102156X500
139	74930632		BOLT
140	4440J		HINGE CRT
141	6712J		VINYL CAP TI
142	109227X		PAD IDLER TI
143	120076X		SUB= 120075X
144	102695X392		SUB= 102695X475
145	120588X		PIN HINGE
146	104086X392		SHIELD.SD.OUT.L
147	122897X		DECAL, TINE, SHIELD
148	102326X392		SUB= 102326X475
3	72140404		BOLT
23	10040400		LOCKWASHER
24	73220400		SUB= 50675
38	73220500		NUT.HEX.5/16-18
54	73220600		NUT.HEX.3/8-16UNC

5056-94

VI. REPAIR PARTS

Detail "D" - Transmission

5 H.P. TILLER



Ref #	Part Number	Qty	Description
71	121146X		SUB= 155112
72	121147X		SUB= 150698
73	106211X		GASKET TI
74	5020J		NEEDLE BRNG LT
75	1370H		"T, BEARING"
76	102113X		PINION-INPUT CRT
77	102110X		SHAFT-INPUT CRT
78	4895H		"TI, BEARING"
79	102136X		WASHER SEAL CRT
80	7392M		SUB= 100482K
81	100371K		SPRING-SHIFT CRT
82	106160X		O-RING TI
83	102107X		ARM ASSY CRT
84	8353J		SHIFT FORK TI
85	12000039		KLIP RING
86	102109X		SHAFT SHIFT CRT
87	104159X		SPACER SPLIT CRT
88	4358J		WASHER
89	12000040		KLIP RING
90	102114X		GEAR ASSY CRT
91	102115X		GEAR-REV IDLR CRT
92	6803J		NEEDLE BEARING TI
93	102111X		SHAFT CRT
94	10040700		LOCKWASHER
95	73610700		NUT.ASF.HEX.7/16
96	102128X		O RING CRT
97	102100X		"CRT, BEARING"
98	106390X		BUSHING TI
99	102134X		CHAIN CRT
100	109204X		SUB= 150737
101	102106X		SUB= 918102106X
102	106388X		SPACER TI
103	102121X		SPRCKT 8 GEAR CRT
104	102112X		SHFT 2ND RED. CRT
105	102101X		SCRW WHIZ LOK CRT
106	106141X		SUB= 137300
107	4422J		BEARING
108	106142X		SUB= 137300
109	105345X		GEAR TI
110	105346X		GEAR TI
111	8358J		REDUCTION SHFT TI
112	4220R		BRNG RACE
113	106146X		SPACER TI
114	9672R		CUP.FORMED.
115	102144X		RING SPIRAL CRT
116	9676R		SUB= 147344
117	9674R		SUB= 147344
118	121745X		SUB= 150700
119	106144X		SHAFT ASSY TI
120	106147X		CHAIN.50 LINK TI
121	17580408		SCREW CRT
122	73220500		NUT.HEX.5/16-18
53	6066J		GREASE PREMIUM-1