

VI. REPAIR PARTS

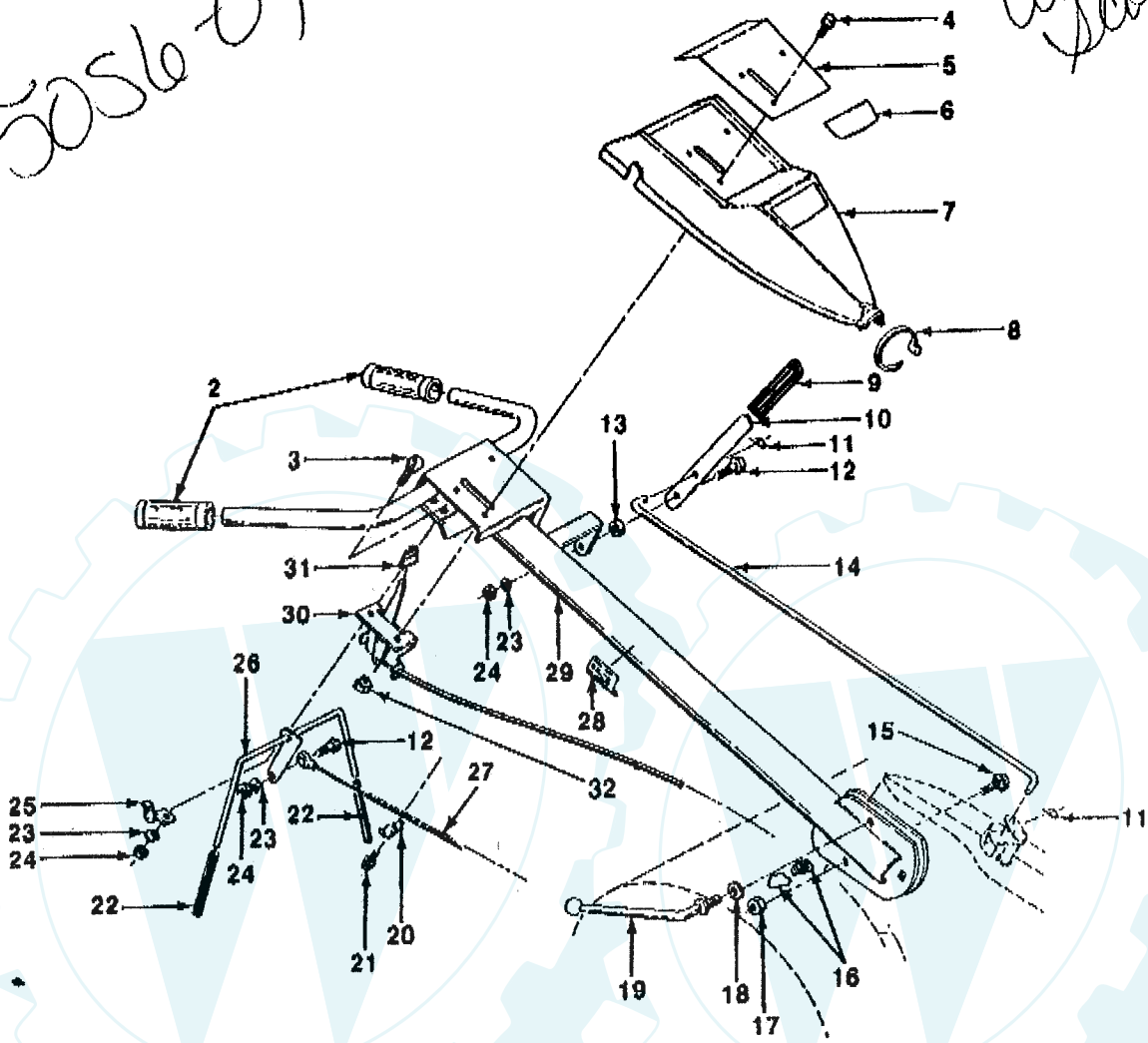
www.ersatzteil-service.de

Handle Assembly

5 H.P. TILLER

5056-04

Alfons Seibel



KEY NO.	PART NO.	DESCRIPTION	KEY NO.	PART NO.	DESCRIPTION
2	9266R	Grip, Handle	16	109229X	Lock, Handle
3	72140404	* Bolt, Carriage 1/4 - 20 X 1/2 Gr. 5	17	5394H	Nut 3/8 - 16
4	71091008	* Screw, Truss Hd. # 10 - 24 UNC x 1/2	18	19131611	* Washer 13/32 X 1 X 11 Ga.
5	104322X	Decal, Instruction	19	109228X	Lever, Lock, Handle
6	122898X	Decal, Control Panel	20	9484R	Clip
7	120943X	Panel - Control	21	86777	Screw, Hex Washer Hd. Slotted No. 10 - 24 X 1/2
8	104164X	Tie, Cable	22	102604X	Grip, Bar, Control
9	8206H	Grip, Handle	23	10040400	* Washer, Lock 1/4
10	109335X	Handle, Shift	24	73220400	* Nut, Hex 1/4 - 20
11	4497H	Clip, Hairpin	25	102744X	Clamp, Bar, Control
12	81328	Bolt, Shoulder	26	105216X	Bar Assembly, Control
13	109313X	Grommet, Rubber	27	102162X	Cable, Clutch
14	109337X	Rod, Shift	28	110614X	Decal, Hand Placement
15	72110808	* Bolt, Carriage 3/8 - 16 X 1 Gr. 5	29	120940X392	Handle
			30	110670X	Control, Throttle
			31	110680X	Knob, Control
			32	73731000	Nut, Keps # 10 - 24 UNC
			---	125977X	Owner's Manual (English)

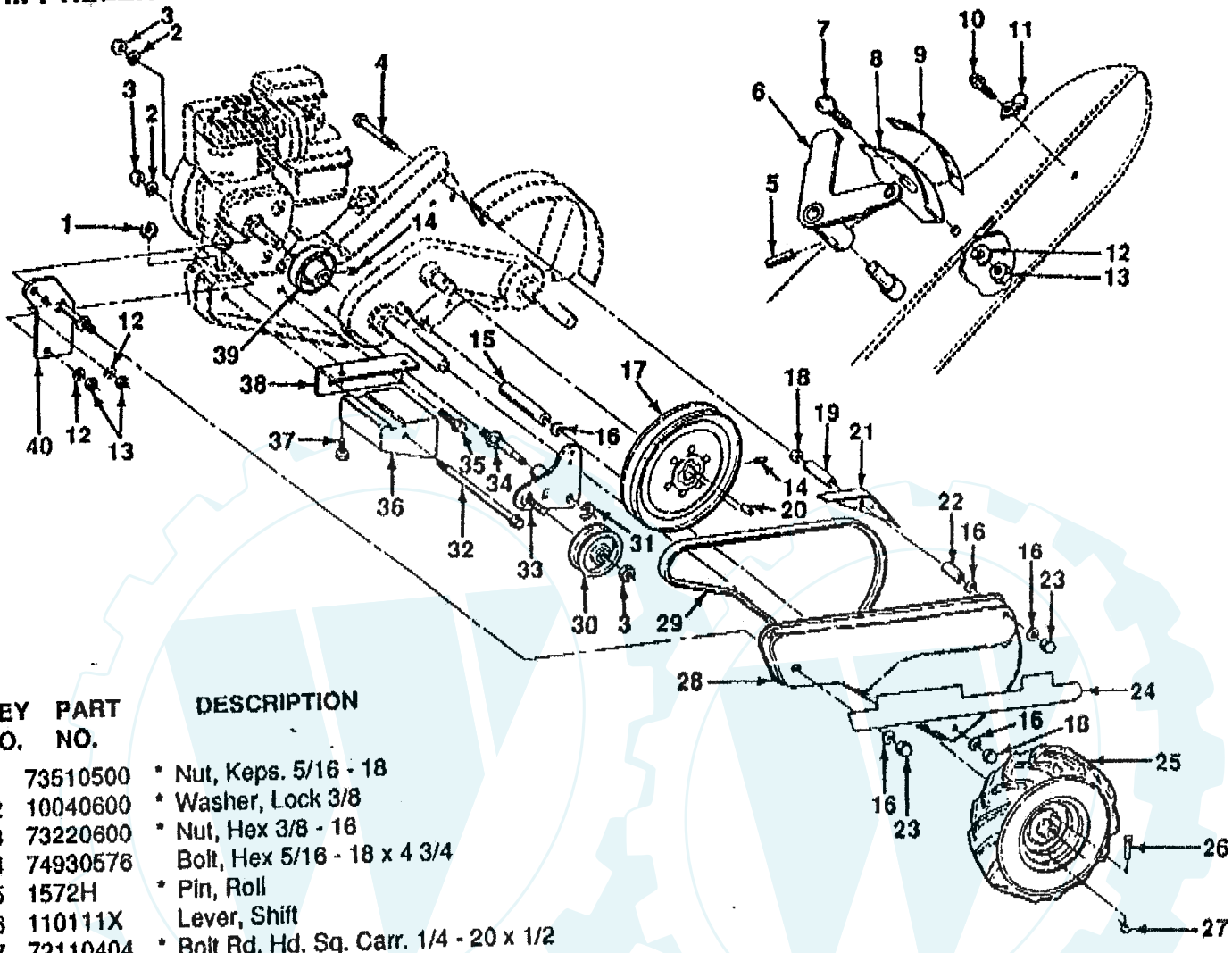
STANDARD HARDWARE--PURCHASE LOCALLY

VI. REPAIR PARTS

www.ersatzteil-service.de

MAINFRAME, LEFT SIDE

5 H.P. TILLER



KEY PART NO.

DESCRIPTION

- 1 73510500 * Nut, Keps. 5/16 - 18
- 2 10040600 * Washer, Lock 3/8
- 3 73220600 * Nut, Hex 3/8 - 16
- 4 74930576 Bolt, Hex 5/16 - 18 x 4 3/4
- 5 1572H * Pin, Roll
- 6 110111X Lever, Shift
- 7 72110404 * Bolt Rd. Hd. Sq. Carr. 1/4 - 20 x 1/2 Gr. 5
- 8 8700J Panel, Shift Indicator
- 9 104323X Decal, Shift Indicator
- 10 86777 Screw, Hex - Washer Head, slotted #10 - 24 x 1/2
- 11 9484R Clip
- 12 10040400 * Washer, Lock 1/4
- 13 73220400 * Nut, Hex 1/4 - 20
- 14 23230506 * Screw, Set Hex. 5/16 - 18 x 3/8
- 15 120938X Spacer, Split 0.327 x 0.42 x 2.68
- 16 19111116 * Washer, 11/32 x 11/16 x 16 Ga.
- 17 100473M Sheave, Transmission
- 18 73220500 * Nut, Hex 5/16 - 18
- 19 110651X Spacer, Split 0.327 x 0.42 x 1.75
- 20 2649M Key, Square 3/16 x 1-1/8
- 21 110653X Guard, Pinch Point
- 22 110652X Spacer, Split 0.327 x 0.42 x 2.09
- 23 104214X Nut, Cap 5/16 - 18
- 24 122899X Decal, Belt Guard
- 25 102190X Tire
- 109208X Rim
- 795R Tire Valve

KEY PART NO.

DESCRIPTION

- 26 126875X Rivet, Drilled
- 27 4497H * Clip, Hairpin
- 28 102148X392 Guard, Belt
- 29 102143X Belt, V
- 30 104679X Pulley, Idler
- 31 12000032 Ring, Klip
- 32 102384X Bolt, Hex 5/16 - 16 x 12
- 33 105611X Bracket, Idler
- 34 102141X Shaft, Idler Arm
- 35 74760616 * Bolt, Hex 3/8 - 16 x 1
- 36 102383X Counterweight, L. H.
- 37 74760524 Bolt, Hex 5/16 - 18 x 1 1/2
- 38 102331X Braket, Reinforcement, L. H.
- 39 102142X Sheave, Engine
- 40 102376X Bracket, Guard Belt

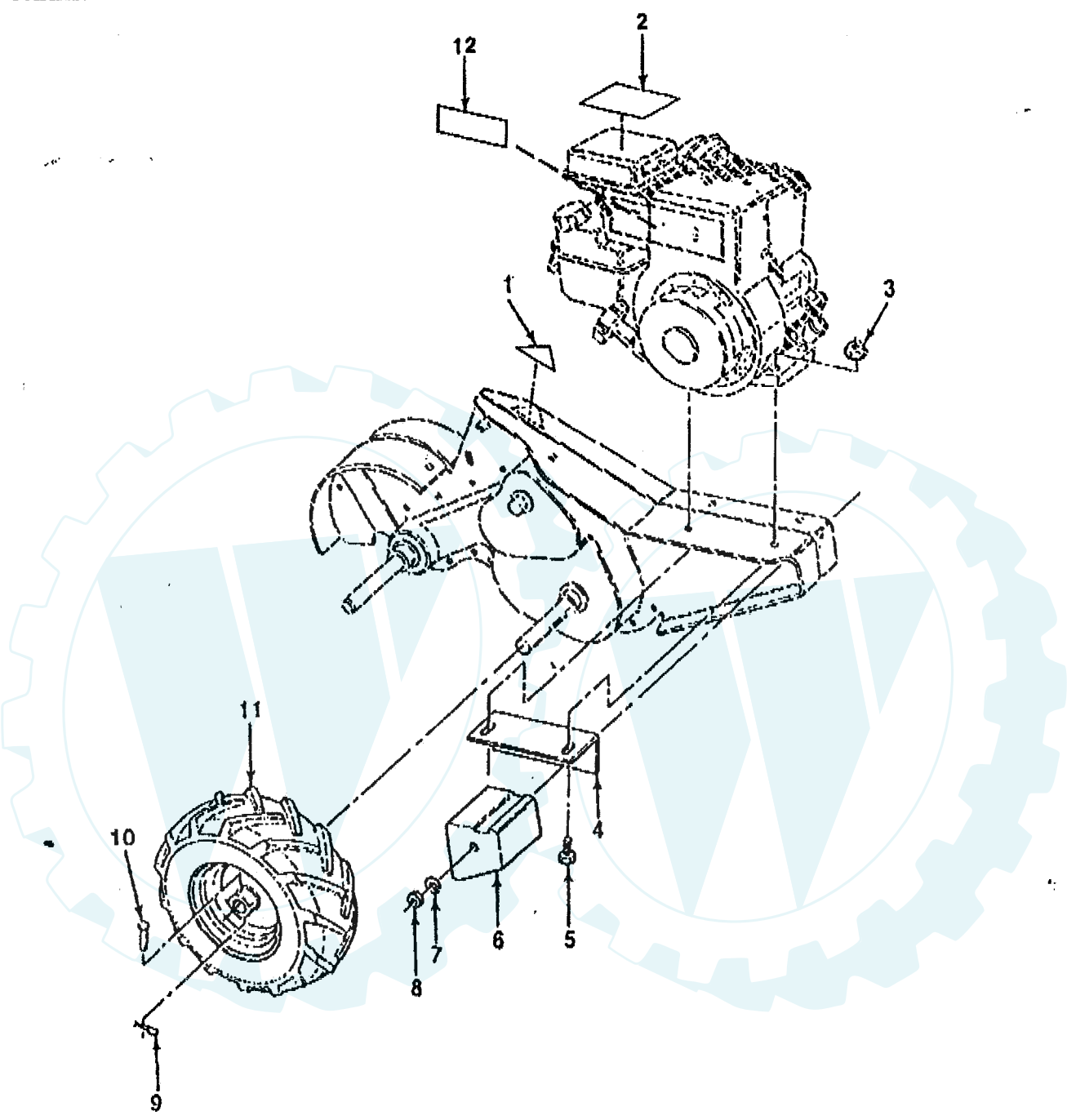
* STANDARD HARDWARE--PURCHASE LOCALLY

VI. REPAIR PARTS

www.ersatzteil-service.de

MAINFRAME, RIGHT SIDE

5 H.P. TILLER



KEY PART NO.	PART NO.	DESCRIPTION
1	---	Decal, O.P.E.I.
2	110612X	Decal, Caution
3	73510500	* Nut, Keps 5/16 - 18
4	102332X	Bracket Reinforcement
5	74760524	Bolt, Hex 5/16 - 18 x 1-1/2
6	102173X	Counter Weight, R.H.
	10040600	* Washer, Lock 3/8

KEY PART NO.	PART NO.	DESCRIPTION
8	73220600	* Nut Hex 3/8 - 16
9	4497H	* Clip, Hairpin
10	102841X	Rivet, Drilled
11	102190X	Tire
	109203X	Rim
	795R	Tire Valve
12	121543X	Decal, Engine

* STANDARD HARDWARE--PURCHASE LOCALLY

VI. REPAIR PARTS

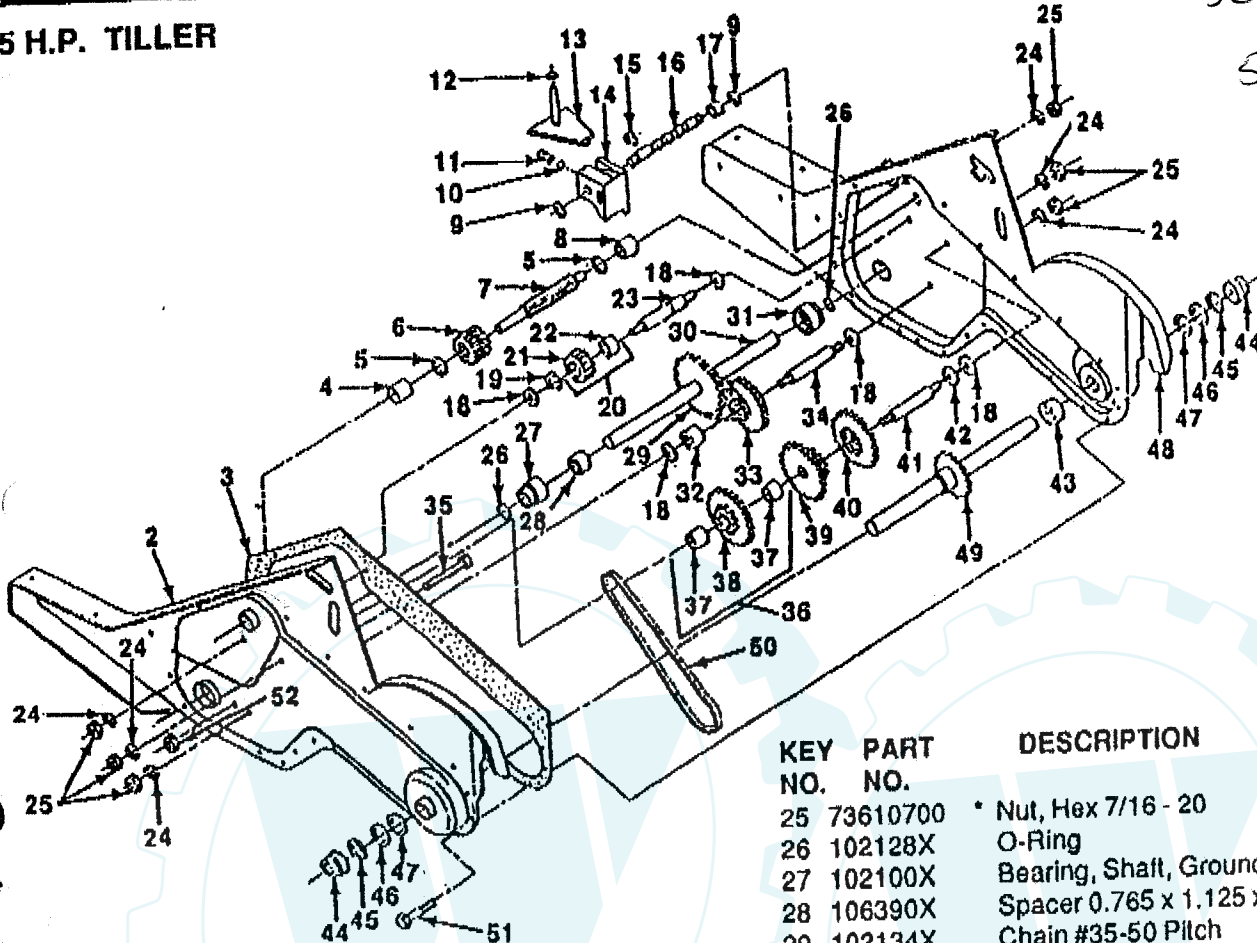
www.ersatzteil-service.de

TRANSMISSION

5 H.P. TILLER

5056-04

5056-14



KEY NO.	PART NO.	DESCRIPTION
1	121146X	Transmission Assembly (Inc. key 2-52)
2	121147X	Gearcase, L.H. w/Bearing (Inc. key 4)
3	106211X	Gasket, Gearcase
4	5020J	Bearing, Needle
5	1370H	Washer, Thrust 5/8 x 1.10 x 1/32
6	102113X	Pinion, Input
7	102110X	Shaft, Input
8	4895H	Bearing, Needle
9	102136X	Washer, Seal
10	7392M	Ball, Steel
11	100371K	Spring, Shift, Fork
12	106160X	O-Ring
13	102107X	Arm, Shift
14	8353J	Fork, Shift
15	12000039	Ring, Klip
16	102109X	Shaft, Shift
17	104159X	Spacer, Split
18	4358J	Washer
19	12000040	Ring, Klip
20	102114X	Gear, Assembly, Reverse Idler (Inc. key 21 & 22)
21	102115X	Gear, Reverse Idler
22	6803J	Bearing, Needle
23	102111X	Shaft, Reverse Idler
24	10040700	Washer, Lock 7/16

DESCRIPTION

KEY PART NO.

25	73610700
26	102128X
27	102100X
28	106390X
29	102134X
30	109204X
31	102106X
32	106388X
33	102121X
34	102112X
35	102101X
36	106141X
37	4422J
38	106142X
39	105345X
40	105346X
41	8358J
42	4220R
43	106146X
44	9672R
45	102144X
46	9676R
47	9674R
48	121745X
49	106144X
50	106147X
51	17580408
52	73220500
53	6066J

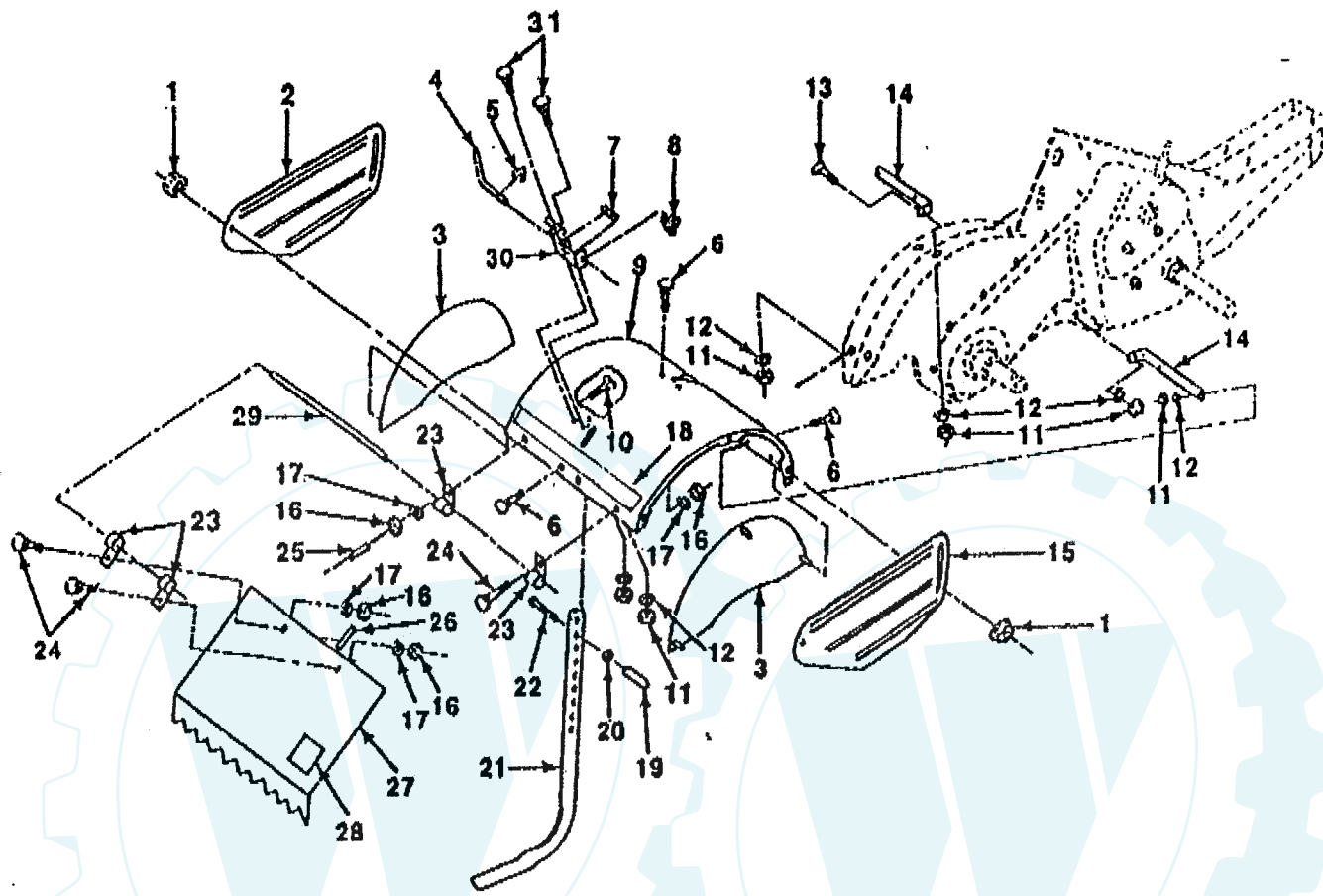
DESCRIPTION

* Nut, Hex 7/16 - 20
O-Ring
Bearing, Shaft, Ground Drive
Spacer 0.765 x 1.125 x 1.23
Chain #35-50 Pitch
Ground Shaft Assembly
Bearing, Shaft, Ground Drive
Spacer 0.70 x 1.00 x 1.150
Sprocket and Gear Assembly
Shaft, Reduction (2nd)
Screw, Whiz, Lock 5/16 - 18 x 3/12
Sprocket Assembly w/Bearing (Inc. key 37 & 38)
Bearing, Needle
Sprocket, Tine
Gear, Cluster, Red 1st & 2nd
Gear, Reverse
Shaft, Reduction (1st)
Washer, Thrust
Spacer 1.01 x 1.75 x 0.760
Cup, Formed
Ring, Spiral
Seal, Ring, Rubber
Seal, Oil
Gearcase, R.H. w/Bearing (Inc key 8)
Shaft, Tine
Chain, Roller #50-50 Pitch
Screw 1/4 - 20 x 1/2
* Nut, Hex. 5/16 - 18
Grease, Plastilube #1

* STANDARD HARDWARE--PURCHASE LOCALLY

VI. REPAIR PARTS www.ersatzteil-service.de TINE SHIELD

5 H.P. TILLER



KEY PART NO. DESCRIPTION

1	98000129	Nut, Flange 5/16 - 18
2	104086X392	Shield, Side outer L. H.
3	104085X392	Shield Side
4	8393J	Pin, Stake Depth
5	12000036	Ring, Klip
6	72140506	* Bolt, Carriage 5/16 - 18 x 3/4 Gr 5
7	8394J	Spring
8	109230X	Spring, Depth Stake
9	102326X392	Shield, Tine
10	72040410	* Bolt, Carriage 1/4 - 20 x 1 - 1/4 Gr. 5
11	10040500	* Nut, Hex 5/16 - 18
12	73220500	* Washer, Lock 5/16
13	72110510	Bolt, Carriage 5/16 - 18 x 1 1/4
14	124343X	Bracket, Shield Tine
15	104101X392	Shield, Side Outer R.H.
16	73220400	* Nut Hex 1/4 - 20

KEY PART NO. DESCRIPTION

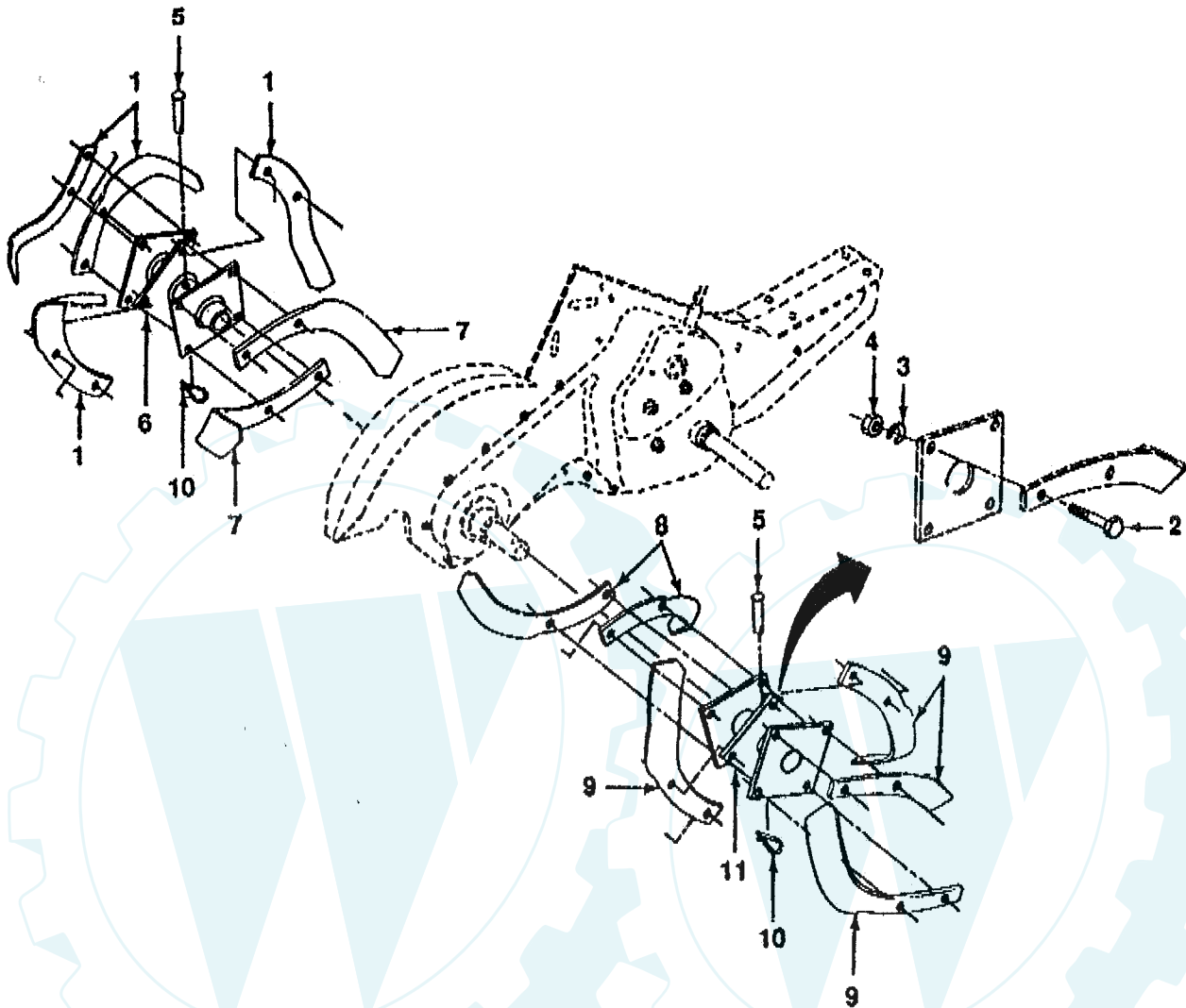
17	10040400	* Washer, Lock 1/4
18	122897X	Decal, Tine Shield
19	102701X	Grip
20	73220600	* Nut, Hex 3/8 - 16
21	102156X	Stake, Depth
22	74930632	Bolt, Hex 3/8 - 16 x 2
23	4440J	Hinge
24	72140404	* Bolt, Carriage 1/4 - 20 x 1/2 Gr. 5
25	6712J	Cap, Vinyl
26	109227X	Pad, Idler
27	102695X392	Shield, Leveling
28	120076X	Decal, Warning
29	120588X	Pin, Hinge
30	8392J	Bracket, Latch
31	72110508	Bolt, carriage 5/16 - 18 x 1

* STANDARD HARDWARE--PURCHASE LOCALLY

VI. REPAIR PARTS TINES

www.ersatzteil-service.de

5 H.P. TILLER



KEY PART NO. NO.

DESCRIPTION

KEY PART NO. NO.

DESCRIPTION

1	4459J	Tine L. H. Outer
2	74610616	Bolt, Hex 3/8 - 24 x 1 ..
3	10040600	* Washer, Lock 3/8
4	73610800	Nut, Hex 3/8 - 24
5	4929H	Clevis Pin
6	102380X	Hub and Plate, Assembly L. H.

7	6554J	Tine L. H. Inner
8	6555J	Tine, R. H. Inner
9	4460J	Tine, R. H. Outer
10	3146R	* Clip, Hairpin
11	102382X	Hub and Plate, Assembly R. H.

* STANDARD HARDWARE--PURCHASE LOCALLY