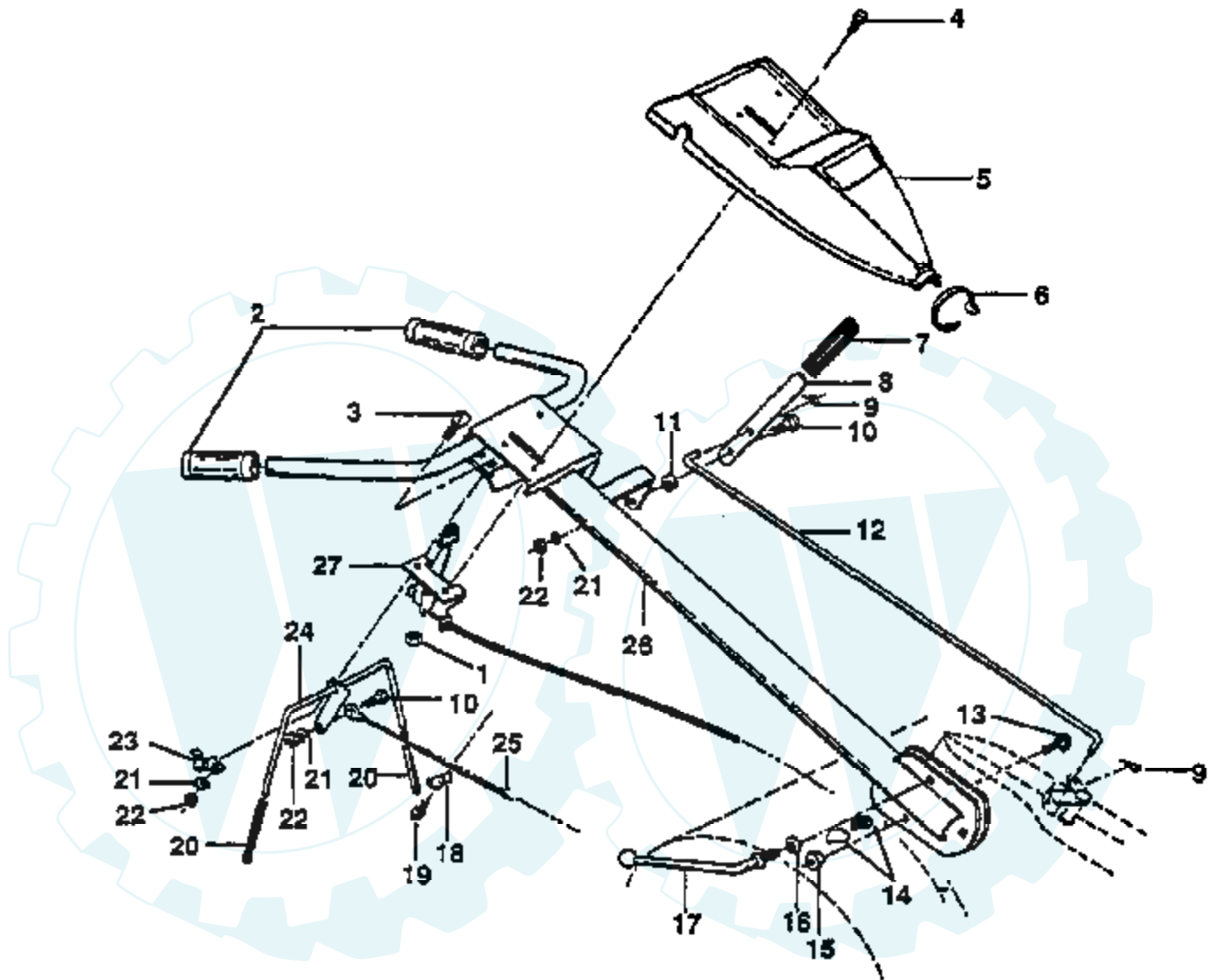


5 HP 17" CRT TILLER -- MODEL NUMBER 5050-14

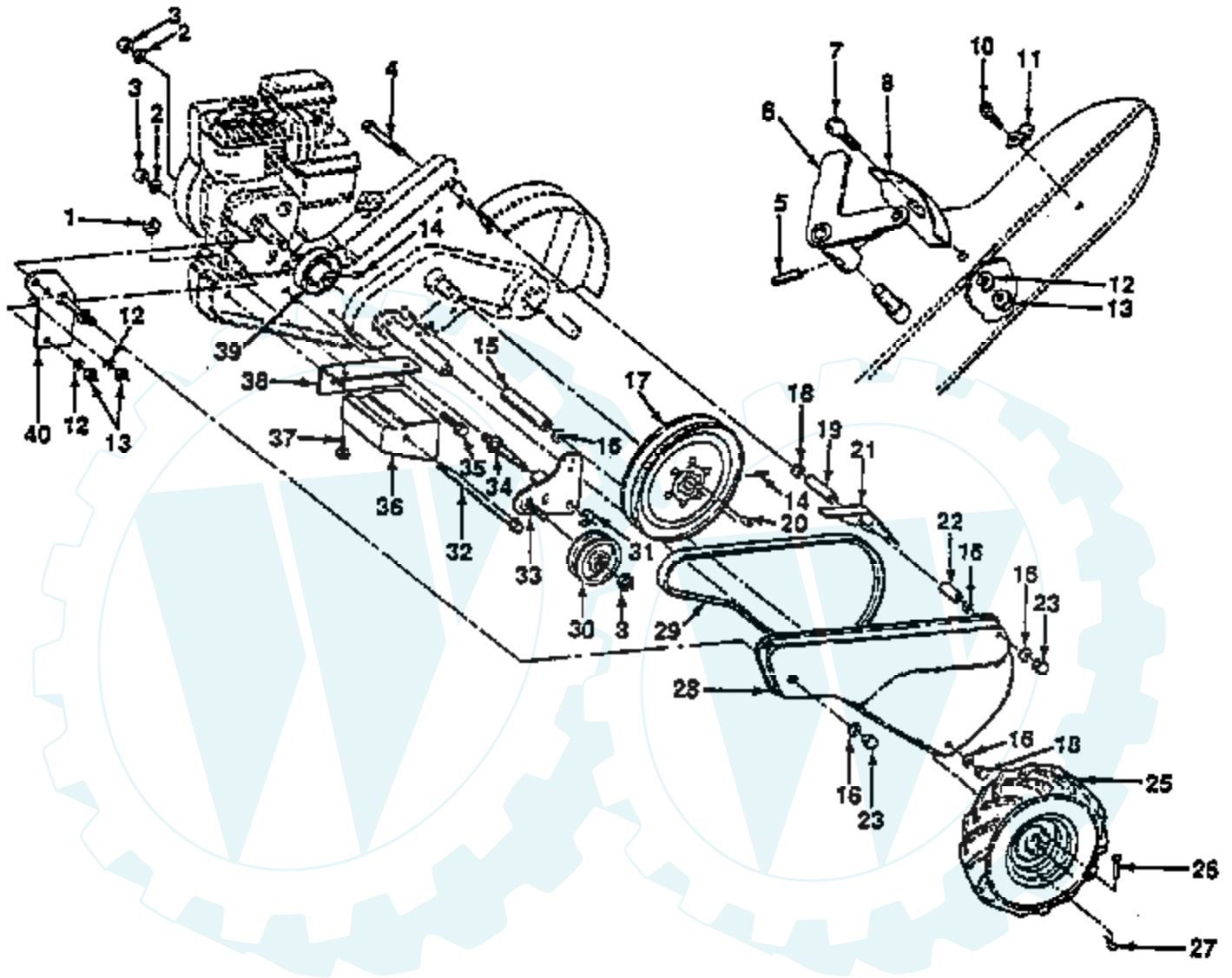
HANDLE ASSEMBLY



Ref #	Part Number	Qty	Description
1	73731000		NUT
2	9266R		SUB= 624A78
3	72140404		BOLT
4	71091008		SCREW
5	126951X		"PANEL,CONT TI"
6	104164X		TIE CABLE CRT
7	8206H		GRIP T
8	109335X		SHIFT HANDLE CRT
9	4497H		RETAINER M
10	81328		SHOULDER BOLT ST
11	109313X		GROMMET CRT
12	109337X		SHIFT ROD CRT
13	72110608		BOLT D
14	109229X		LOCK CRT
15	5394H		SUB= 73930600
16	19131611		WASHER CRT
17	109228X		LEVER LOCK CRT
18	9484R		CONDIUT CLIP T
19	86777		SUB= 750097
20	102604X		GRIP BAR CRT
21	10040400		LOCKWASHER
22	73220400		SUB= 50675
23	102744X		SUB= 102744X431
24	105216X		"ASSY CONTROL, BAR"
25	102162X		CABLE.CLUTCH.CRT
26	127013X424		SUB= 155117
27	127012X		"CONT,THROTTLE"
	128609		OWNER'S MANUAL
	104322X		NLA
	110614X		DECAL TI
	122898X		DECAL, CONTROL PANEL

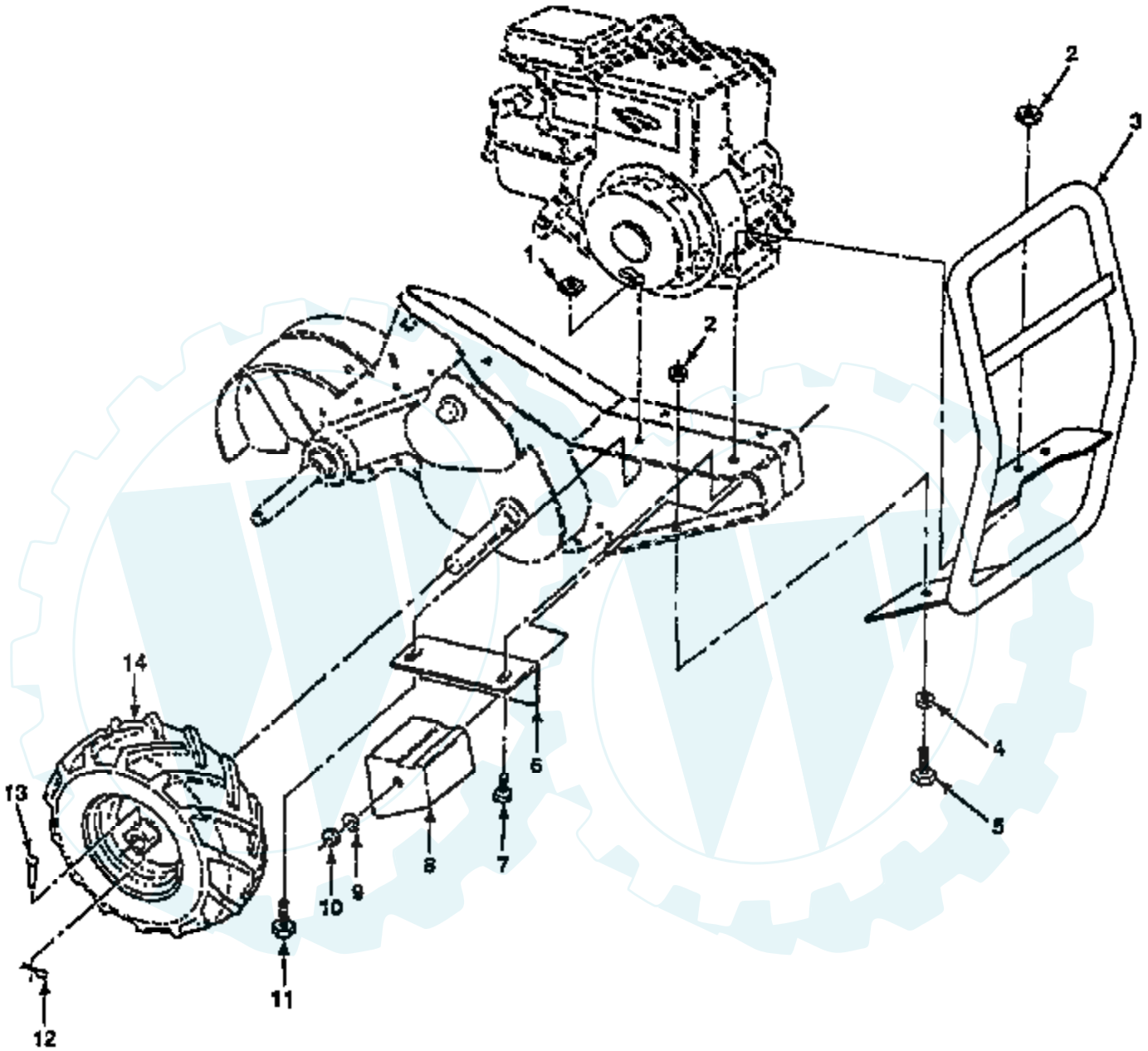
5 HP 17" CRT TILLER - - MODEL NUMBER 5050-14

MAINFRAME, LEFT SIDE

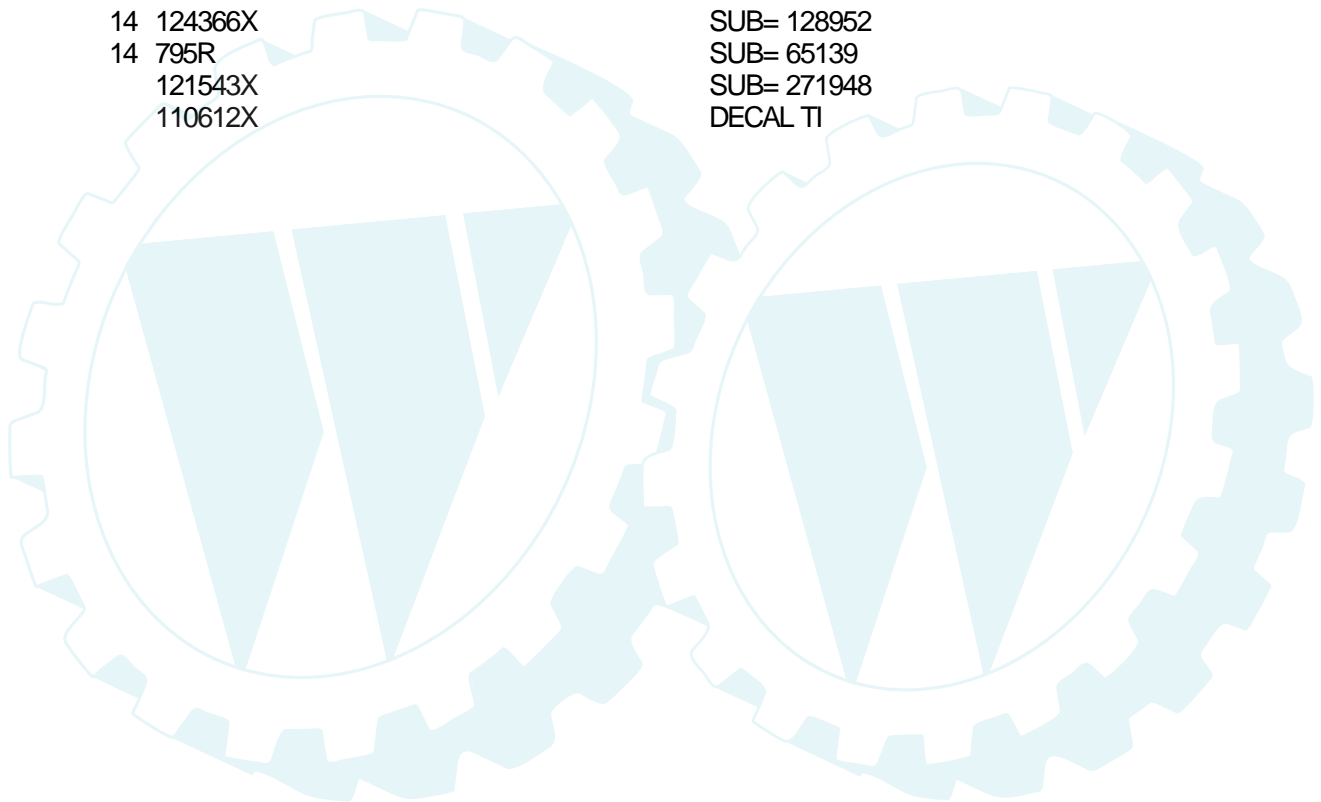


Ref #	Part Number	Qty	Description
1	73970500		LOCKNUT TI
2	10040600		LOCKWASHER
3	73220600		NUT.HEX.3/8-16UNC
4	74930576		BOLT-HEX TI
5	1572H		SUB= 2882J
6	110111X		LEVER ASM CRT
7	72110404		BOLT
8	8700J		PANEL TI
10	86777		SUB= 750097
11	9484R		CONDIUT CLIP T
12	10040400		LOCKWASHER
13	73220400		SUB= 50675
14	23230506		SET SCREW
15	120938X		SPACER
16	19111116		WASHER
17	100473M		"SHEAVE 10"" CRT"
18	73220500		NUT.HEX.5/16-18
19	110651X		SPACER CRT
20	2649M		KEY T
21	110653X		GUARD CRT
22	110652X		SPACER CRT
23	104214X		NUT TI
25	5015J		TIRE TI
25	124366X		SUB= 128952
25	795R		SUB= 65139
26	126875X		RIVET.DRILL.1.75
27	4497H		RETAINER M
28	102148X424		SUB= 131159X424
29	126791X		SUB= 132801
30	104679X		PULLEY-IDLER TI
31	12000032		KLIP RING
32	102384X		BOLT CRT
33	105611X		SUB= 918105611X
34	102141X		SHIFT ARM CRT
35	74760616		BOLT
36	102383X		COUNTERWEIGHT CRT
37	74760532		BOLT
38	102331X		BRACKET LH CRT
39	9177R		SUB= 130812
40	126788X		SUB= 532126788
	104323X		NLA
	122899X		DECAL BELT GUARD

5 HP 17" CRT TILLER - - MODEL NUMBER 5050-14
MAINFRAME, RIGHT SIDE

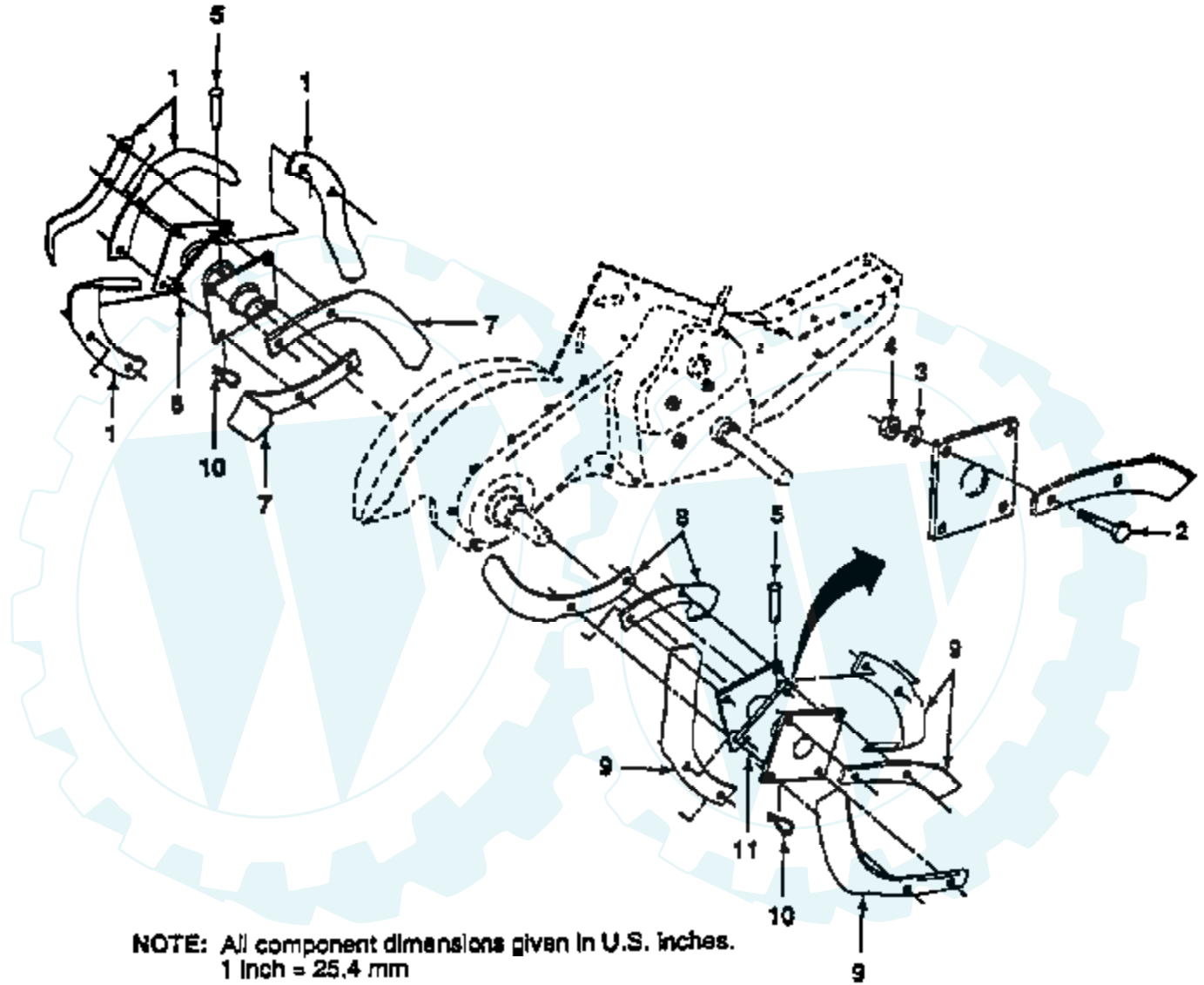


Ref #	Part Number	Qty	Description
1	73510500		NUT
2	73970500		LOCKNUT TI
3	124551X		BUMPER ASS'Y
4	19111116		WASHER
5	74760512		BOLT
6	102332X		BRACKET RH CRT
7	74760532		BOLT
8	102173X		COUNTERWEIGHT CRT
9	10040600		LOCKWASHER
10	73220600		NUT.HEX.3/8-16UNC
11	74760524		BOLT.HEX.5/16-1.5
12	4497H		RETAINER M
13	126875X		RIVET.DRILL.1.75
14	5015J		TIRE TI
14	124366X		SUB= 128952
14	795R		SUB= 65139
	121543X		SUB= 271948
	110612X		DECAL TI



5 HP 17" CRTTICLER - - MODEL NUMBER 5050-14

TINES

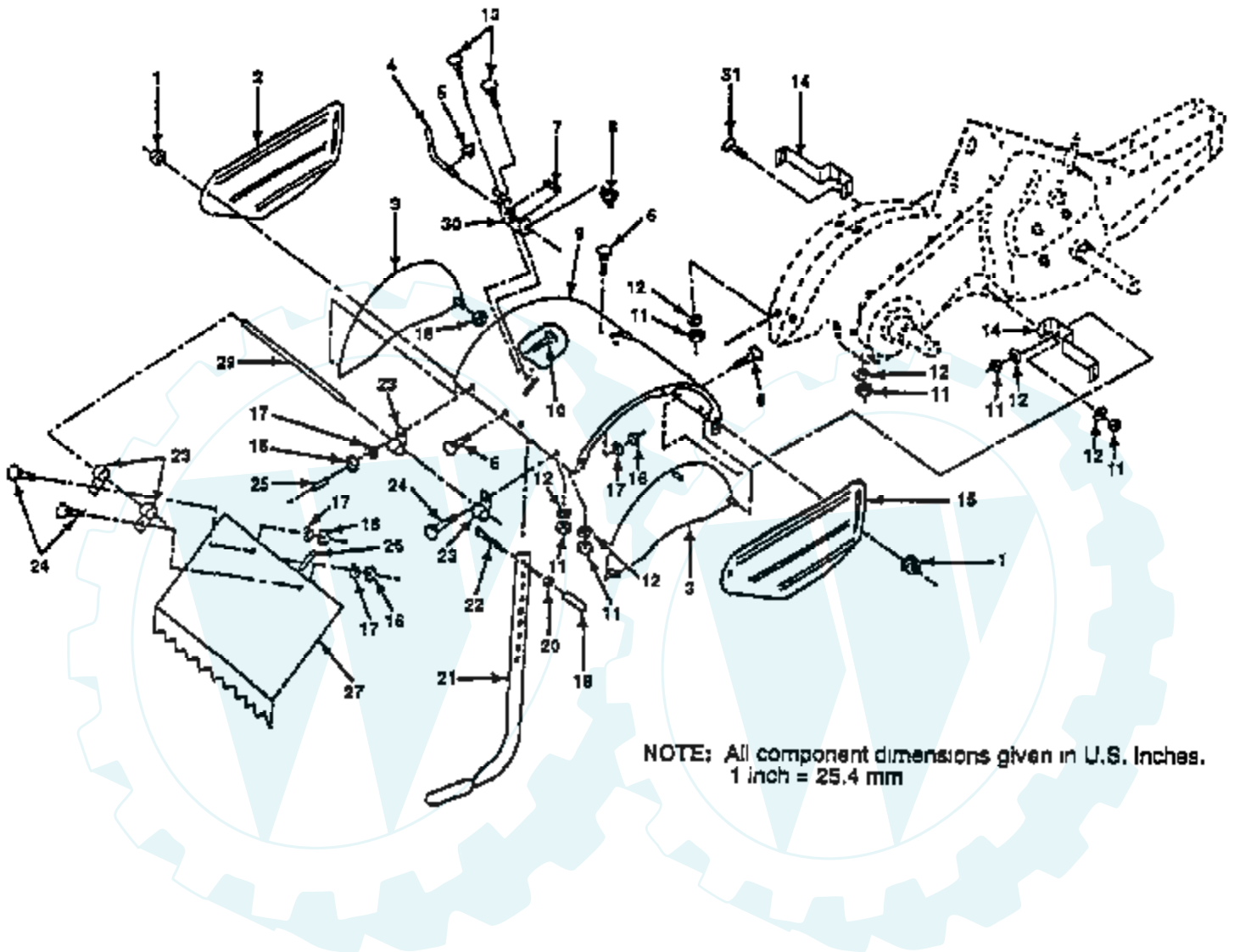


Ref #	Part Number	Qty	Description
1	4459J		SUB= 6554J
2	74610616		BOLT
3	10040600		LOCKWASHER
4	73610600		SUB= 7810H
5	4929H		RIVET.PAN HD.1.75
6	102380X		TINE ASSY LH CRT
7	6554J		"TINE.LH.12""
8	6555J		"TINE.RH.12""
9	4460J		SUB= 6555J
10	3146R		RETAINER.SPRING
11	102382X		TINE ASSY RH CRT



5 HP 17" CRT TILLER - - MODEL NUMBER 5050-14

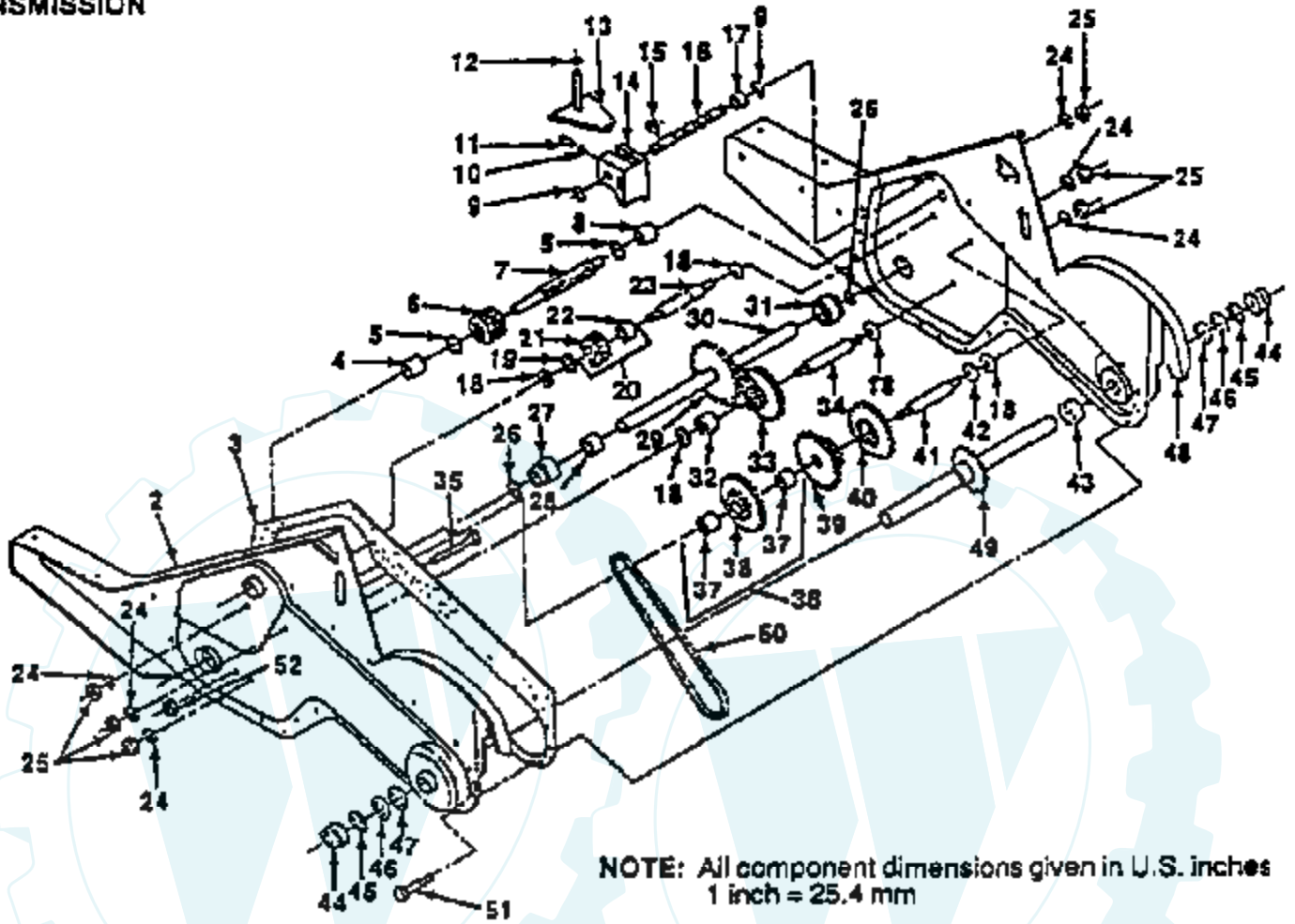
TINE SHIELD



Ref #	Part Number	Qty	Description
1	98000129		NUT
2	104086X424		SHIELD.SD.OUT.LH
3	124309X424		SHIELD SIDE
4	8393J		STAKE PIN TI
5	12000036		KLIP RING TI
6	72140506		BOLT
7	8394J		SPRING TI
8	109230X		SPRING CRT
9	124289X424		"SHIELD,TINE"
10	72040410		BOLT
11	73220500		NUT.HEX.5/16-18
12	10040500		LOCKWASHER
13	72110508		BOLT CRT
14	124311X		"BRACKET,SHIELD"
15	104101X424		SHIELD.SD.OUT.RH
16	73220400		SUB= 50675
17	10040400		LOCKWASHER
18	73970500		LOCKNUT TI
19	102701X		GRIP CRT
20	73220600		NUT.HEX.3/8-16UNC
21	102156X		SUB= 102156X500
22	74930632		BOLT
23	4440J		HINGE CRT
24	72140404		BOLT
25	6712J		VINYL CAP TI
26	109227X		PAD IDLER TI
27	102695X424		SHLD LEV TI
29	120588X		PIN HINGE
30	8392J		LATCH BRACKET TI
31	72110510		BOLT
	120076X		SUB= 120075X
	122897X		DECAL, TINE, SHIELD

5 HP 17" CRT TILLER - - MODEL NUMBER 5050-14

TRANSMISSION



NOTE: All component dimensions given in U.S. inches
1 inch = 25.4 mm

Ref #	Part Number	Qty	Description
1	124357X		SUB= 155112
2	121147X		SUB= 150698
3	106211X		GASKET TI
4	5020J		NEEDLE BRNG LT
5	1370H		"T, BEARING"
6	102113X		PINION-INPUT CRT
7	102110X		SHAFT-INPUT CRT
8	4895H		"TI, BEARING"
9	102136X		WASHER SEAL CRT
10	7392M		SUB= 100482K
11	100371K		SPRING-SHIFT CRT
12	106160X		O-RING TI
13	102107X		ARM ASSY CRT
14	8353J		SHIFT FORK TI
15	12000039		KLIP RING
16	102109X		SHAFT SHIFT CRT
17	104159X		SPACER SPLIT CRT
18	4358J		WASHER
19	12000040		KLIP RING
20	102114X		GEAR ASSY CRT
21	102115X		GEAR-REV IDLR CRT
22	6803J		NEEDLE BEARING TI
23	102111X		SHAFT CRT
24	10040700		LOCKWASHER
25	73610700		NUT.ASF.HEX.7/16
26	102128X		O RING CRT
27	102100X		"CRT, BEARING"
28	106390X		BUSHING TI
29	102134X		CHAIN CRT
30	124458X		SUB= 150737
31	102106X		SUB= 918102106X
32	106388X		SPACER TI
33	102121X		SPRCKT 8 GEAR CRT
34	102112X		SHFT 2ND RED. CRT
35	102101X		SCRW WHIZ LOK CRT
36	124358X		SUB= 137313
37	4422J		BEARING
38	124359X		SUB= 137313
39	105345X		GEAR TI
40	105346X		GEAR TI
41	8358J		REDUCTION SHFT TI
42	4220R		BRNG RACE
43	106146X		SPACER TI
44	9672R		CUP.FORMED.
45	102144X		RING SPIRAL CRT
46	9676R		SUB= 147344
47	9674R		SUB= 147344
48	121745X		SUB= 150700
49	106144X		SHAFT ASSY TI
50	124361X		SUB= 137313
51	17580408		SCREW CRT
52	73220500		NUT.HEX.5/16-18
	6066J		GREASE PREMIUM-1