

GCK3000 + GCE2152

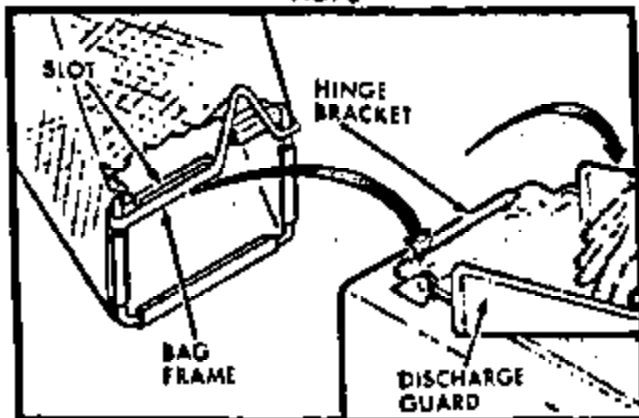
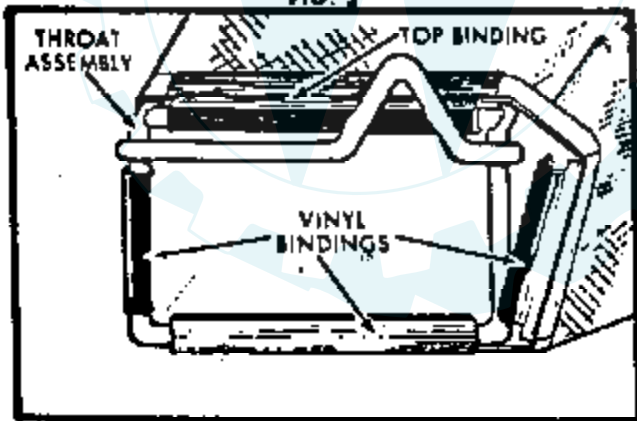
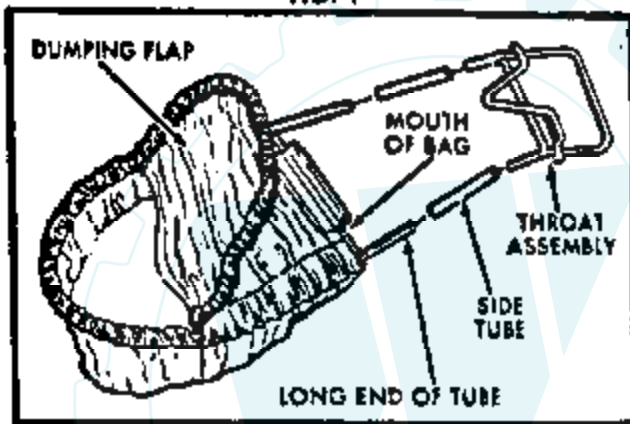
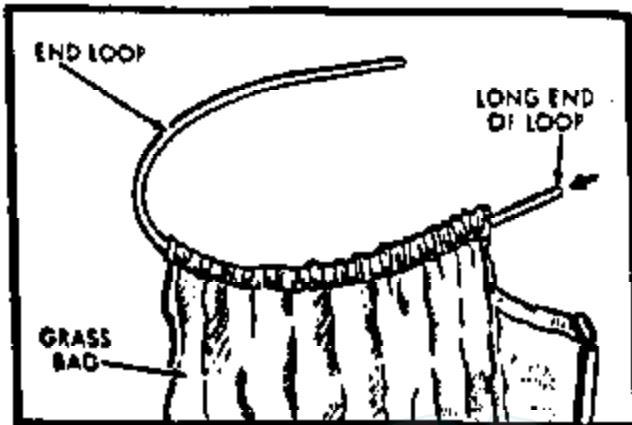
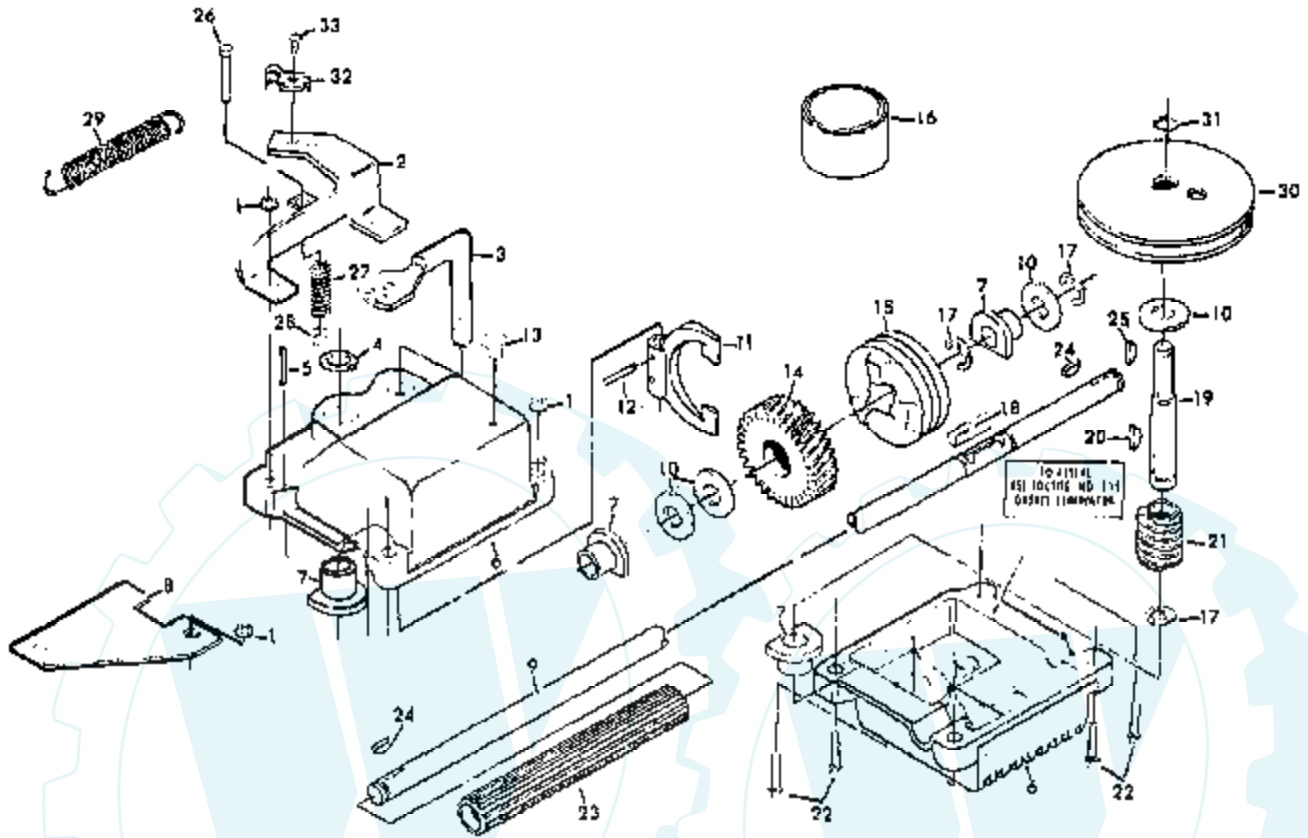


FIG. 4

Ref #	Part Number	Qty	Description
	103964X		REFER TO IMAGE
	103966X		THROAT
	103967X		SIDE TUBE
	107109X		END LOOP
	107119X		GRASS BAG
			INSTR. SHEET

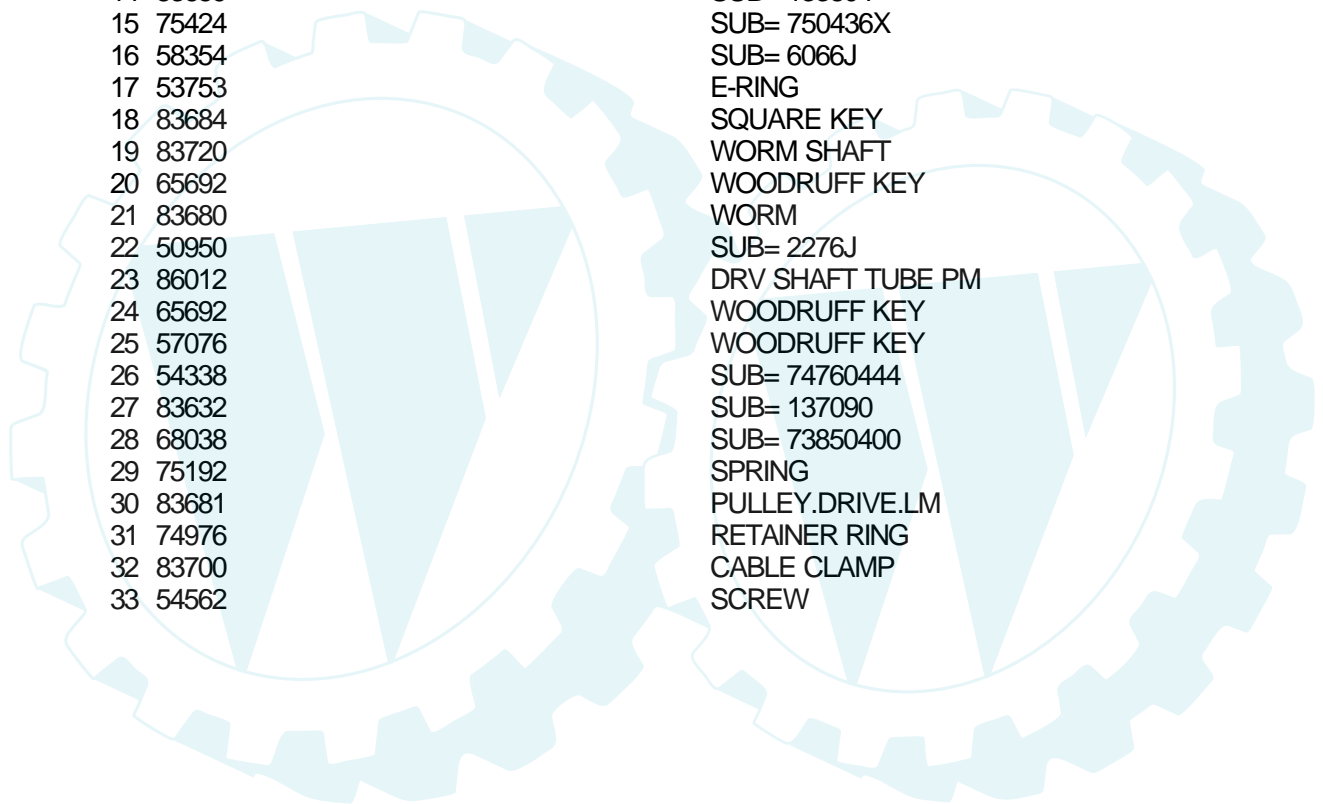


LAWN MOWER - MODEL NUMBER AP62BR
GEAR CASE ASSEMBLY PART NO. 883B8

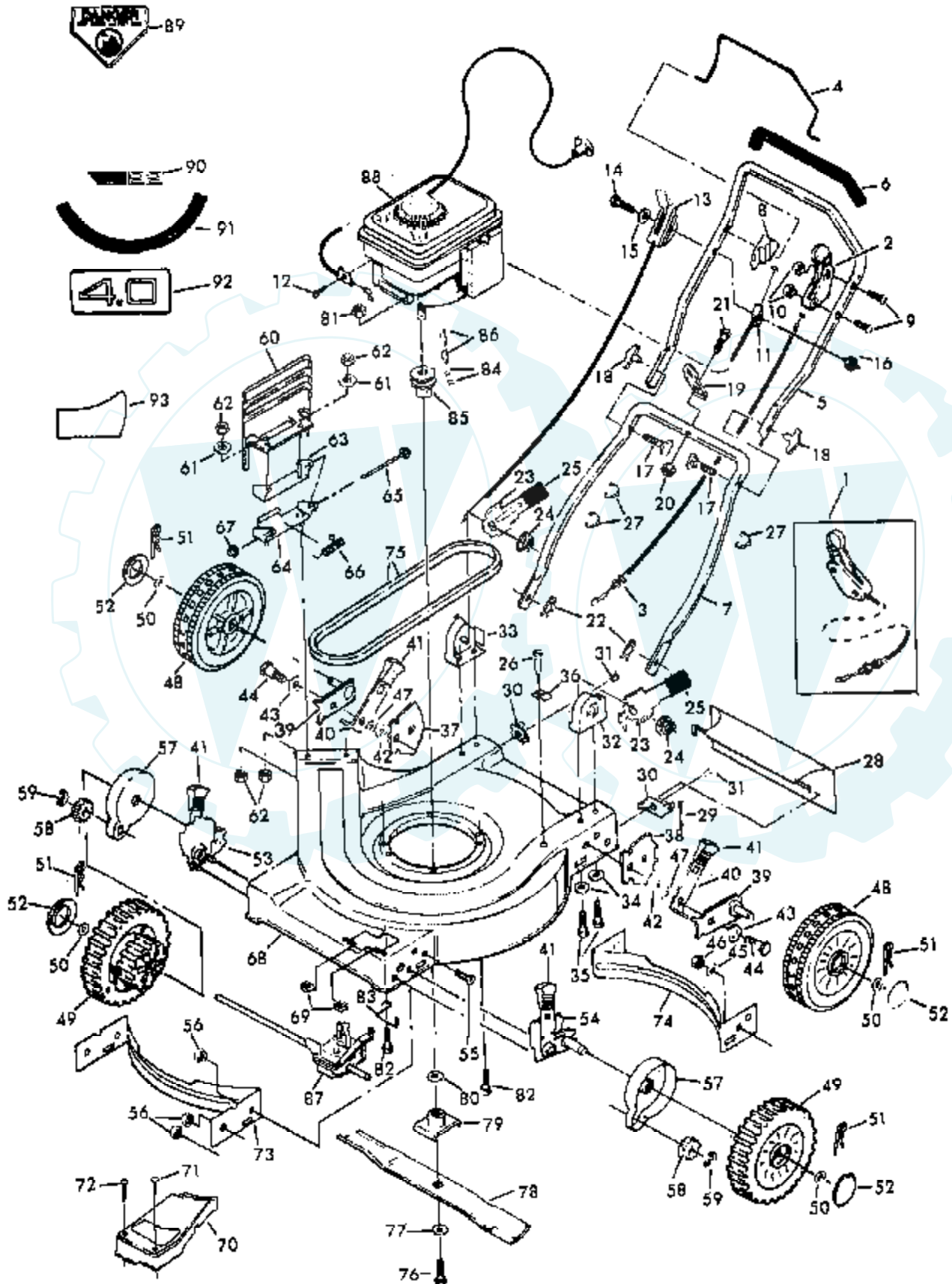


Disregard page 16 in your owner's manual and use this sheet instead. Always use this sheet when ordering replacement parts for your gear case. Keep this sheet with your owner's manual for future reference.

Ref #	Part Number	Qty	Description
1	53838		SUB= 73510400
2	85178		SUB= 85177X004
3	88386		SHIFTER PM
4	57072		SEAL
5	57388		DRIVE LOK PIN
6	48032		CASE HALF KIT PM
7	77881		BEARING
8	77039		SUB= 81585X004
9	79947		SUB= 48280
10	57079		THRUST WASHER
11	75144		NLA
12	87822		GROOVE PIN PM
13	86447		PLUG PM
14	83659		SUB= 133804
15	75424		SUB= 750436X
16	58354		SUB= 6066J
17	53753		E-RING
18	83684		SQUARE KEY
19	83720		WORM SHAFT
20	65692		WOODRUFF KEY
21	83680		WORM
22	50950		SUB= 2276J
23	86012		DRV SHAFT TUBE PM
24	65692		WOODRUFF KEY
25	57076		WOODRUFF KEY
26	54338		SUB= 74760444
27	83632		SUB= 137090
28	68038		SUB= 73850400
29	75192		SPRING
30	83681		PULLEY.DRIVE.LM
31	74976		RETAINER RING
32	83700		CABLE CLAMP
33	54562		SCREW



LAWN MOWER - MODEL NUMBER AP62BR



Ref #	Part Number	Qty	Description
1	87025		CONTROL DRIVE PM
2	48029		SUB= 79953
3	48030		SUB= 87025
4	103094X		CONTROL BAIL
5	103246X		SUB= 103111X479
6	101632X		GRIP COMFORT PM
7	84683		SUB= 84684X479
8	84874		ZONE CONTROL ACTUATOR
9	78186		SCREW
10	74189		NUT
11	103818X		CABLE ASSY PM
12	85724		SCREW PM
13	107246X		THROTTLE CNTRL PM
14	54138		SUB= 74760432
15	85723		WASHER PM
16	63601		SUB= 73800400
17	58714		SUB= 131959
18	63688		SUB= 136376
19	84651		ROPE GUIDE
20	63601		SUB= 73800400
21	60599		NLA
22	51793		HAIRPIN COTTER
23	81281		HANDLE LEVER
24	62363		SPRING - LEVER
25	87945		SUB= 85535
26	81276		SCREW
27	85827		CABLE CLIP PM
28	75442		REAR DEFLECTOR
29	63640		COTTER PIN
30	81254		SUB= 75430X004
31	75680		SUB= 88145
32	103510X		SUB= 150959
33	103511X		SUB= 150959
34	59289		STEEL WASHER
35	55187		SCREW
36	70385		CABLE CLIP
37	103095X		SUB= 133759X007
38	103096X		SUB= 133757X007
39	82987		SUB= 82986X004
40	84888		SUB= 700331X004
41	77865		SUB= 532132800
42	84920		SUB= 146630
43	62335		"WASHER, BELLEVIL."
44	84921		SUB= 142748
45	62333		WASHER
46	74400		SUB= 73800600
47	88348		WASHER PM
48	107708X		WHEEL & TIRE PM
49	107707X		SUB= 702245
50	52160		WASHER
51	55015		CLIP.RETAINER
52	77400		HUB CAP
53	48088		SUB= 48174
54	48089		SUB= 48175
55	61528		SUB= 74100412
56	63601		SUB= 73800400
57	76401		DUST COVER
58	74507		PINION.10.TEETH

Ref #	Part Number	Qty	Description
59	53753		E-RING
60	100945R		DISCHARGE GRD PM
61	53847		SUB= 19091214
62	53490		NUT
63	674A260		SUB= 800767
64	674A261		SUB= 800769
65	103673X		HINGE ROD PM
66	100958L		SPRING-TORSION PM
67	59349		PAL NUT PM
68	111003X		HOUSING M
69	75449		SPEED NUT
70	107393X		DRIVE COVER PM
71	69411		SCREW
72	75725		SCREW
73	85285		SUB= 132352X479
74	85284		REAR BAFFLE PM
75	83691		V-BELT.LM.DRIVE
76	82626		SUB= 74940620
77	84942		WASHER.FLAT.3/8
78	103524X		"BLADE 22"" PM"
79	107250X		SUB= 851026
80	84942		WASHER.FLAT.3/8
81	63124		SUB= 73690500
82	76125		HEX BOLT
83	83629		BELT SNUBBER
84	59708		SCREW
85	84596		ENGINE.PULLEY.FWG
86	65053		WOODRUFF KEY
87	48039		SUB= 48282
88			REFER TO IMAGE
89	85463		DECAL-DANGER PM
90	107531X		DECAL PM
91	107536X		NLA
92	107240X		NLA
93	107709X		NLA
	111197X		MANUAL PM