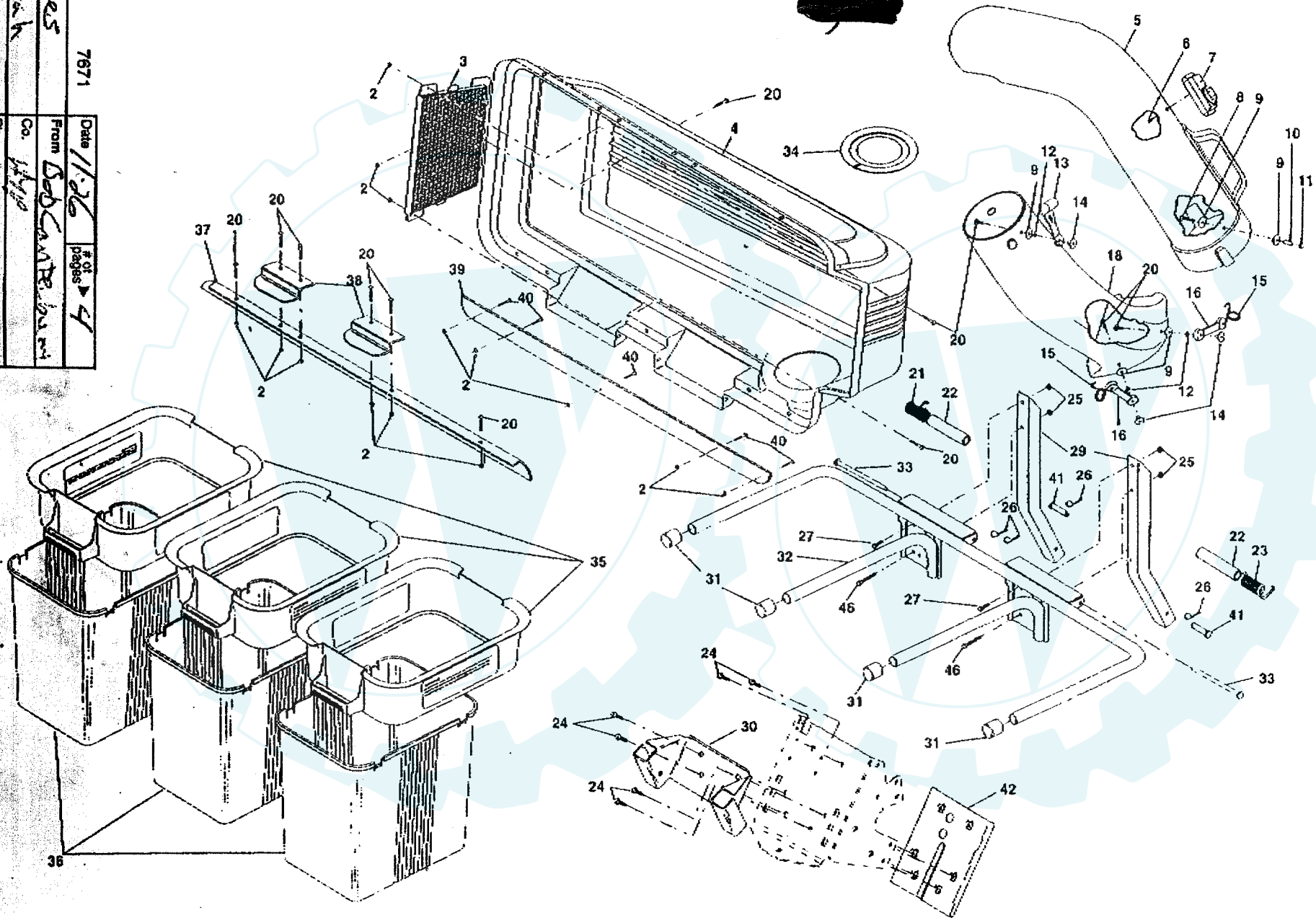


# GC40

## GRASS CATCHER - - MODEL NUMBER 917.249740

### ARTS

Post-it® Fax Note	7671
To: Dig Sales	From: Bob Cantor
Co./Dept: Deborah	Co.: 1140
Phone #	Phone #
Date: 11-26	# of pages: 4



96 10:31AM FROM MAXSERV INC. 602 423 4981

# REPAIR PARTS

[www.ersatzteil-service.de](http://www.ersatzteil-service.de)

GRASS CATCHER - - MODEL NUMBER 917.249740

**GC46**

KEY NO.	PART NO.	DESCRIPTION	KEY NO.	PART NO.	DESCRIPTION
2	69180	Nut, Crownlock #10-24	27	74760512	Bolt, Hex 5/16-18 x 3/4
3	127533	Screen, Cover	28	74760536	Bolt, Hex 5/16-18 x 2-1/4
4	139906	Cover	29	144840	Bagger, Support Post
5	126840	Chute, Upper	30	144839	Bracket, Mounting
6	18021008	Screw, Special #10-14x1/2	31	134496	Plug, Tubing End
7	130933	Full Bagger Indicator	32	134639	Bagger, Frame
8	87175	Screw, #10-24 x 1-1/8	33	128600	Pin, Hinge
9	19061216	Washer 3/16x3/4x16 Ga.	34	127534	Gasket, Cover
10	7206J	Spacer, Split	35	129584	Container, Top
11	60867	Nut, Acorn #10-24	36	129586	Container, Bottom
12	10071000	Washer, lock	37	134637	Seal, Cover
13	109808X	Latch, Chute	38	130895	Latch Handle, Cover
14	2029J	Nut, Weld	39	139854	Strip, Seal
15	130760	Latch, Hook	40	71141008	Screw #10-24 x 1/2
16	130759	Rubber, Latch	41	145326	Pin, Clevis
18	145578	Chute, Lower	—	104419X	Bag, 3.0 mil. 30 Gallon
20	71161010	Screw #10-24 x 5/8	—	145894	Trash (not included with bagger)
21	132796	Spring, Cover L.H. (black)			Owner's Manual
22	140809	Spacer, Cover			
23	132983	Spring, Cover R.H. (gray)			
24	74780712	Bolt, 7/16-14 x 3/4			
25	63124	Locknut 5/16 x 18			
26	4939M	Spring, Retainer			

15