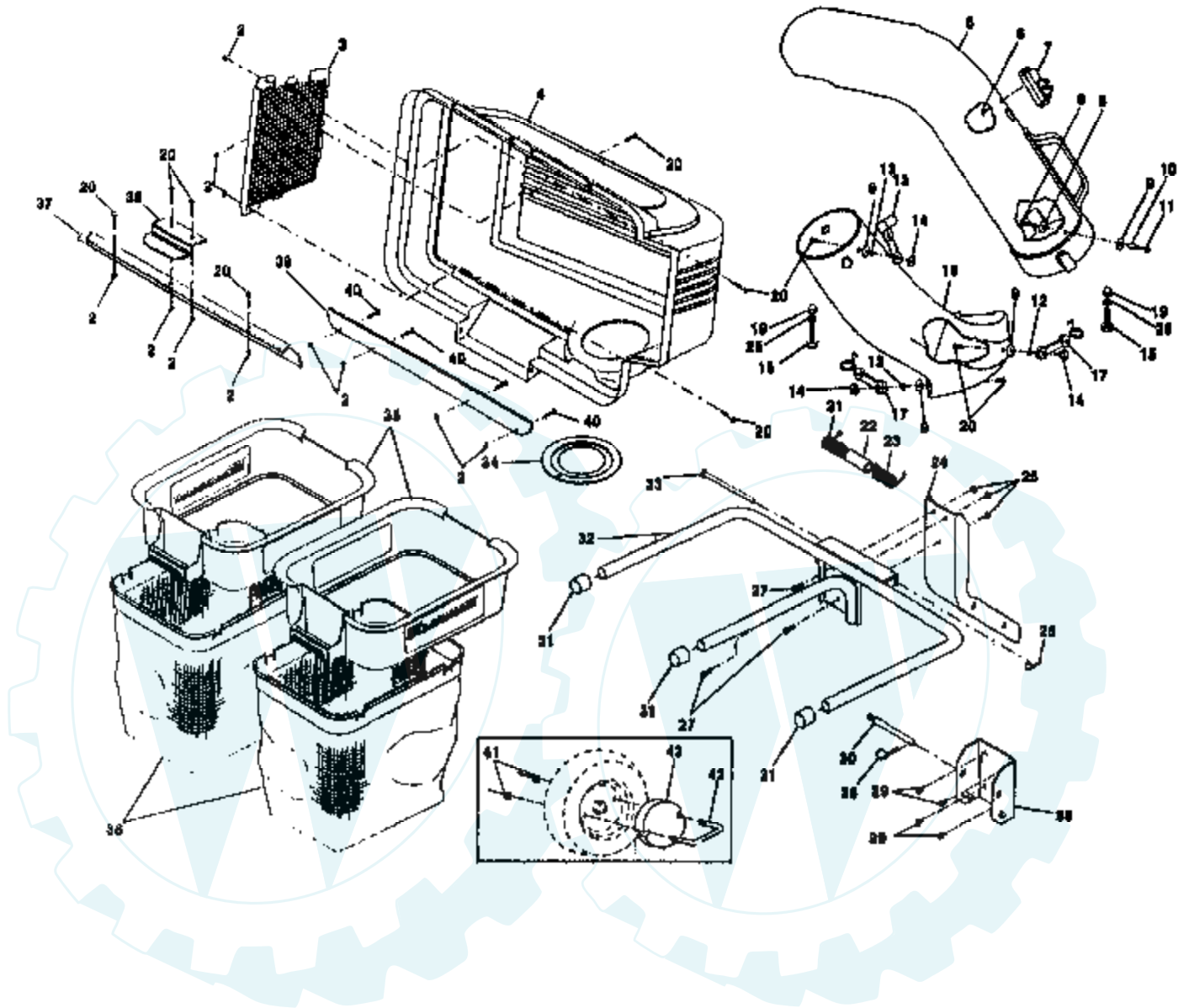


TRACTOR - - MODEL NUMBER CB1136C

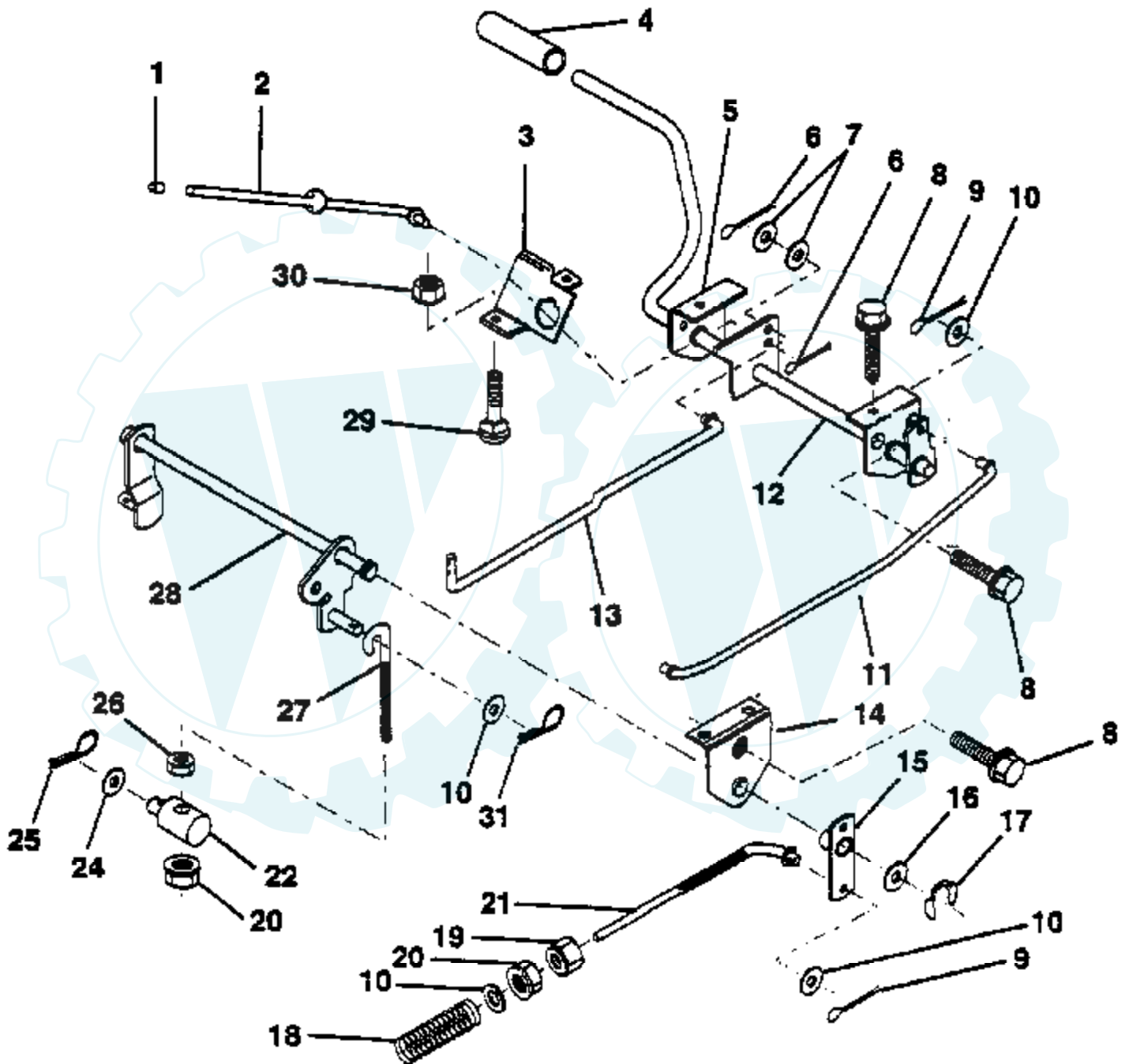
BAGGER



Ref #	Part Number	Qty	Description
2	69180		LOCKNUT
3	127533		COVER.SCREEN.
4	140654		SUB= 161314
5	128598		CHUTE.UPPER.BAGGE
6	18021008		SPECIAL SCREW
7	140572		INDICATOR.DUMP.BG
8	87175		SUB= 74981020
9	19061216		WASHER #10
10	7206J		SPACER LT
11	60867		ACORN NUT RB
12	10071000		LOCKWASHER
13	109808X		HOOD LATCH T
14	2029J		WELDNUT
15	74930516		BOLT GT
17	130758		SUB= 160793
18	128599		"CHUTE.LOWER.36""
19	133841		ACORN NUT
20	71161010		SCREW
21	132796		SPRING.COVER.LH
22	133235		SPACER.COVER.BAGG
23	132983		SPRING COVER RH
24	127720X		POST SUPPORT
25	63124		SUB= 73690500
26	4939M		SUB= 85902
27	74760512		BOLT
28	130889		BRACKET.MTG.BAGGE
29	17490508		SCREW LT
30	131137		PIN.SUPT.POST
31	134496		CAP TUBING END
32	126919X		FRAME. BAGGER
33	128600		HINGE PIN
34	127534		GASKET.COVER.BAGG
35	129585		CONTAINER.TOP.BAG
36	132431		CONTAINER BOTTOM
37	132256		SEAL.COVER.BAGGER
38	130895		LATCH HANDLE
39	135495		SUB= 155042X500
40	71141008		SCREW #10-24X12
41	73800600		NUT
42	137031		U-BOLT
43	123635X		"WEIGHT,FRT WHEEL"
	104419X		SUB= 105070X
	142001		MANUAL.OPER.BAGGE

TRACTOR - - MODEL NUMBER CB1136C

BRAKE / REAR MOWER LIFT ASSEMBLY

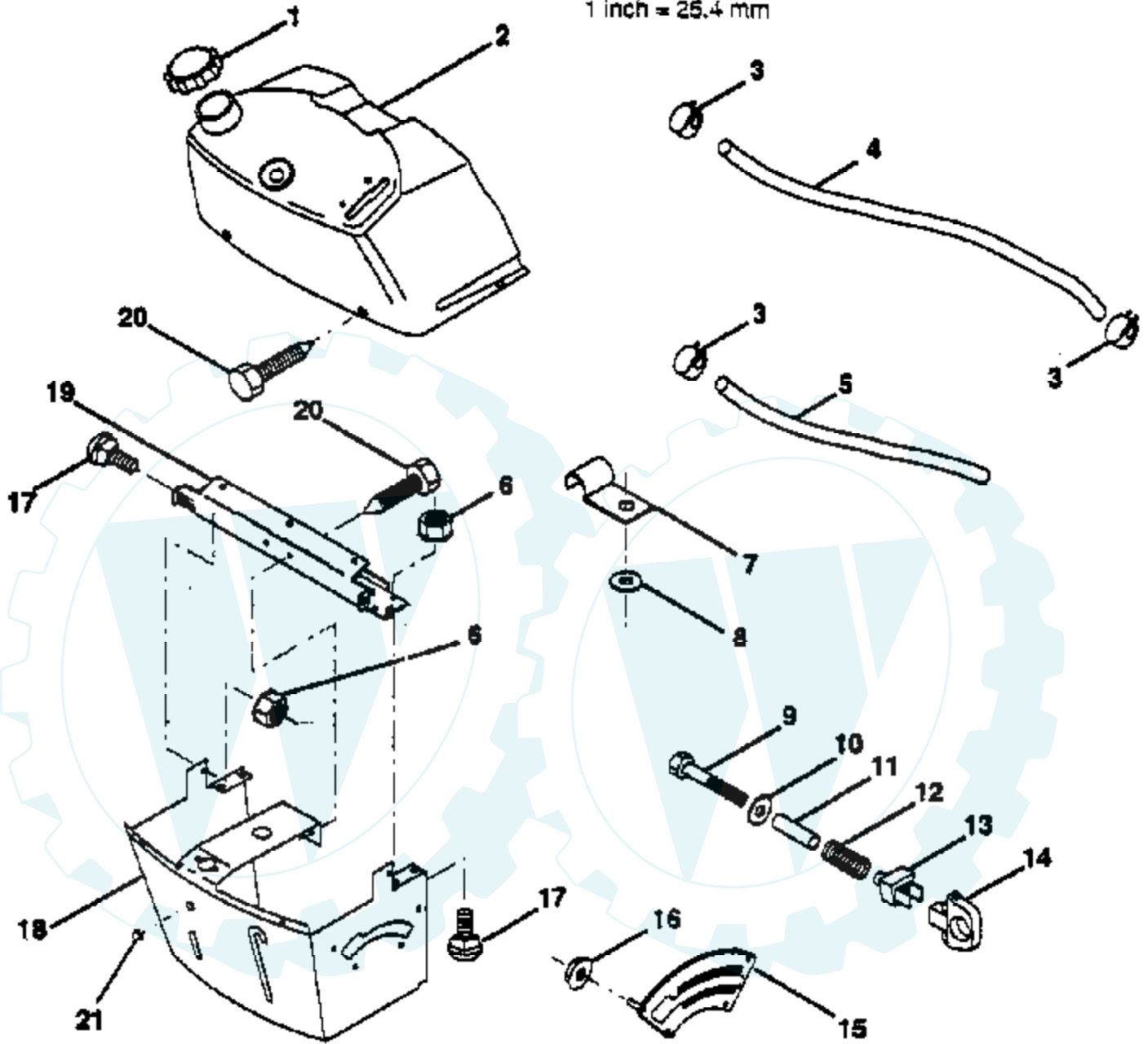


Ref #	Part Number	Qty	Description
1	71673		PLUNGER CAP T
2	123436X		"ROD,PARK BRAKE"
3	123437X		"BRKT,PARK BRAKE"
4	8156H		FOOT PEDAL COVER
5	122504X		"BRKT,CLU PEDAL LH"
6	76020312		SUB= 3145
7	19131016		WASHER
8	17490508		SCREW LT
9	76020412		COTTER PIN
10	19131316		WASHER
11	123543X		"ROD,FRT BRAKE"
12	139933		PEDAL ASM CL/BK36
13	123394X		"ROD,CLUTCH"
14	121978X		"BRKT,LIFT SHAFT"
15	133332		PVT BRAKE ARM ASM
16	19251816		WASHER T
17	12000034		KLIP RING
18	106888X		SPRING ROD LT
19	73350600		NUT
20	73680600		SUB= 73690600
21	131460		SUB= 532131460
22	144585		TRUNNION.LIFT.
24	19132012		WASHER
25	4921H		SPRING.RETAINER
26	73930600		LOCKNUT
27	127369		"LINK, MOWER REAR"
28	140776		LIFT ASM MOW REAR
29	72110506		SUB= 72270506
30	73510500		NUT
31	3146R		RETAINER.SPRING

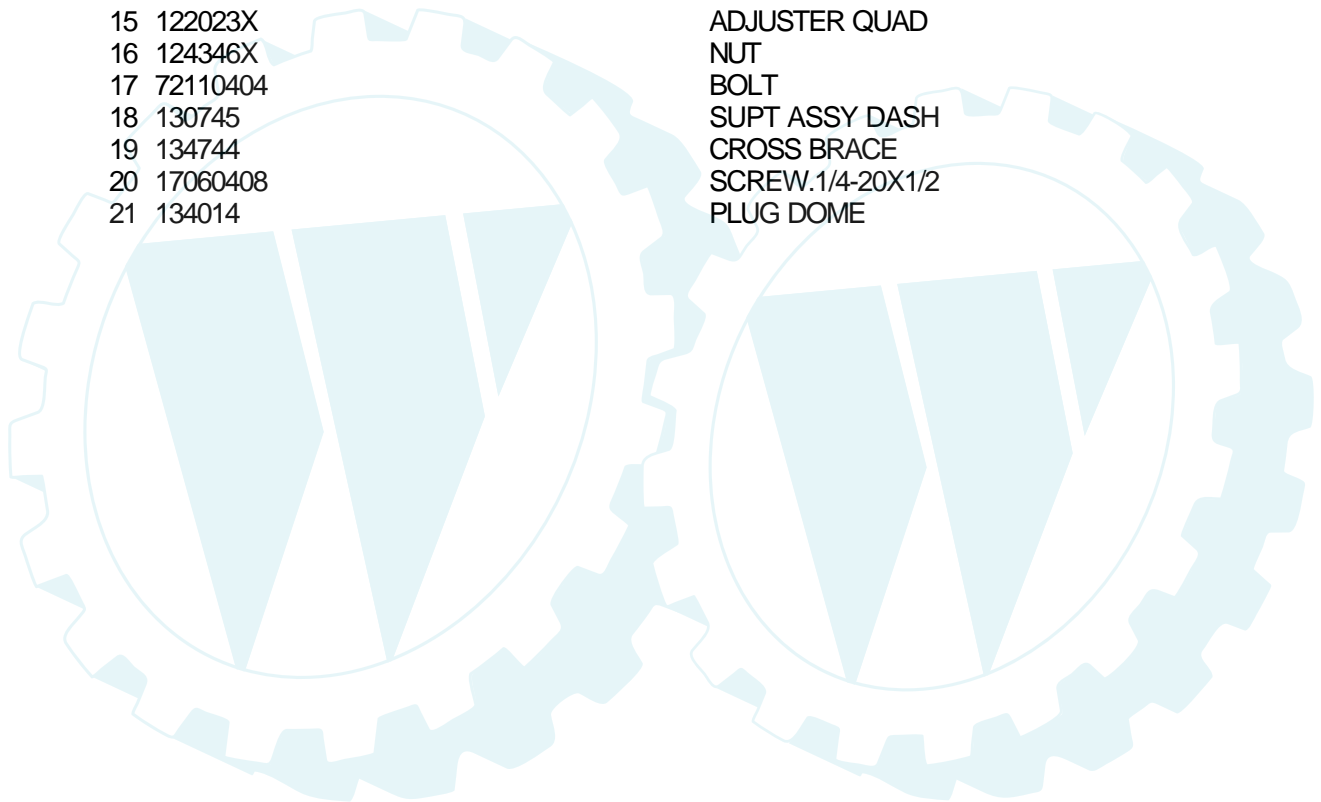
TRACTOR - - MODEL NUMBER CB1136C

DASH

NOTE: All component dimensions given in U. S. inches
1 inch = 25.4 mm

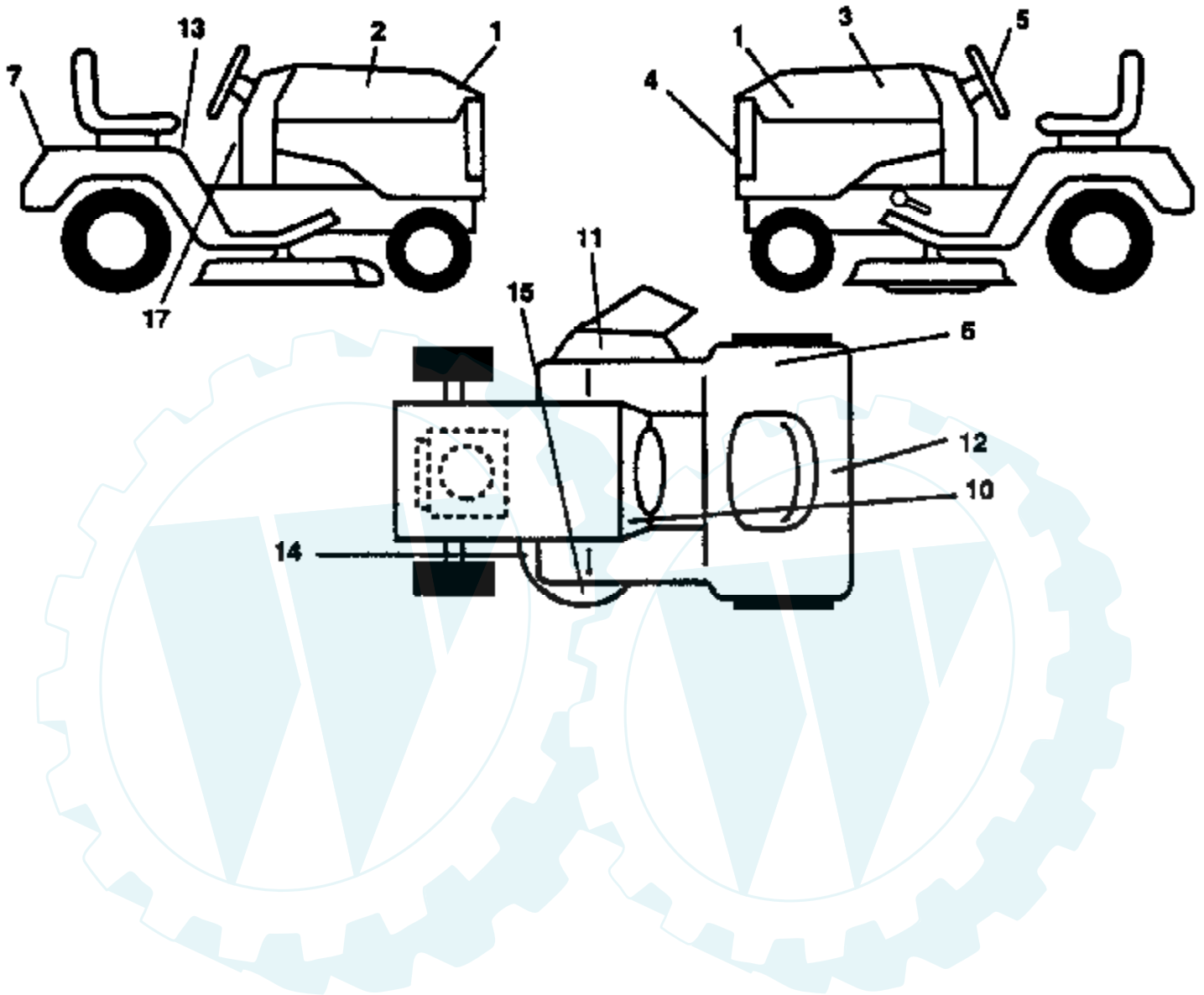


Ref #	Part Number	Qty	Description
1	141523		CAP BLK FUEL LR
2	138392		TANK.ASM.DASH.LR
3	123487X		HOSE CLAMP
4	8544R		SUB= 295J
5	8548R		FUEL LINE T
6	73640400		NUT HXKEP 1/4X20
7	2751R		CLIP T
8	19091216		WASHER PM
9	74760428		BOLT
10	19091413		WASHER
11	121249X		SPACER SPLIT
12	3720R		SPRING M
13	126450X		"KNOB,HGT RETAINER"
14	126115X		KNOB
15	122023X		ADJUSTER QUAD
16	124346X		NUT
17	72110404		BOLT
18	130745		SUPT ASSY DASH
19	134744		CROSS BRACE
20	17060408		SCREW.1/4-20X1/2
21	134014		PLUG DOME

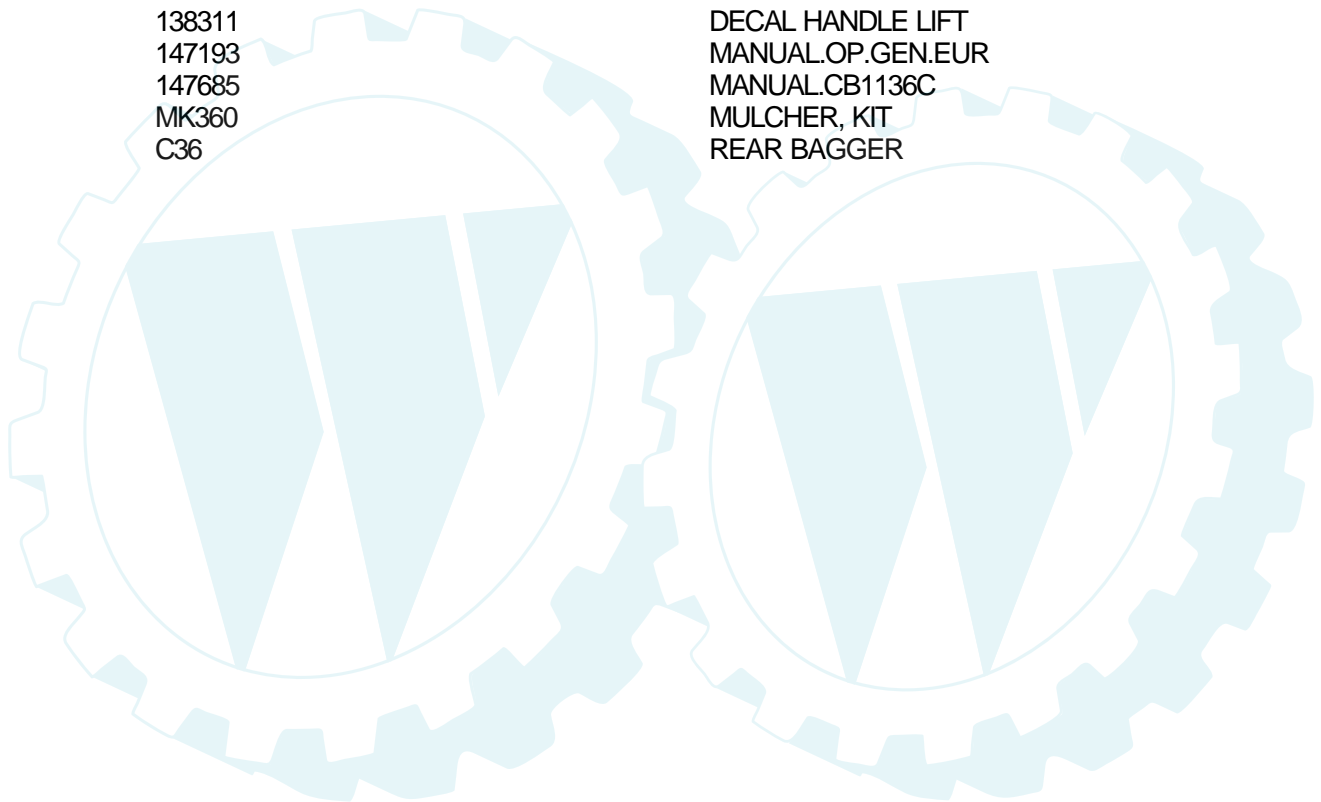


TRACTOR - - MODEL NUMBER CB1136C

DECALS

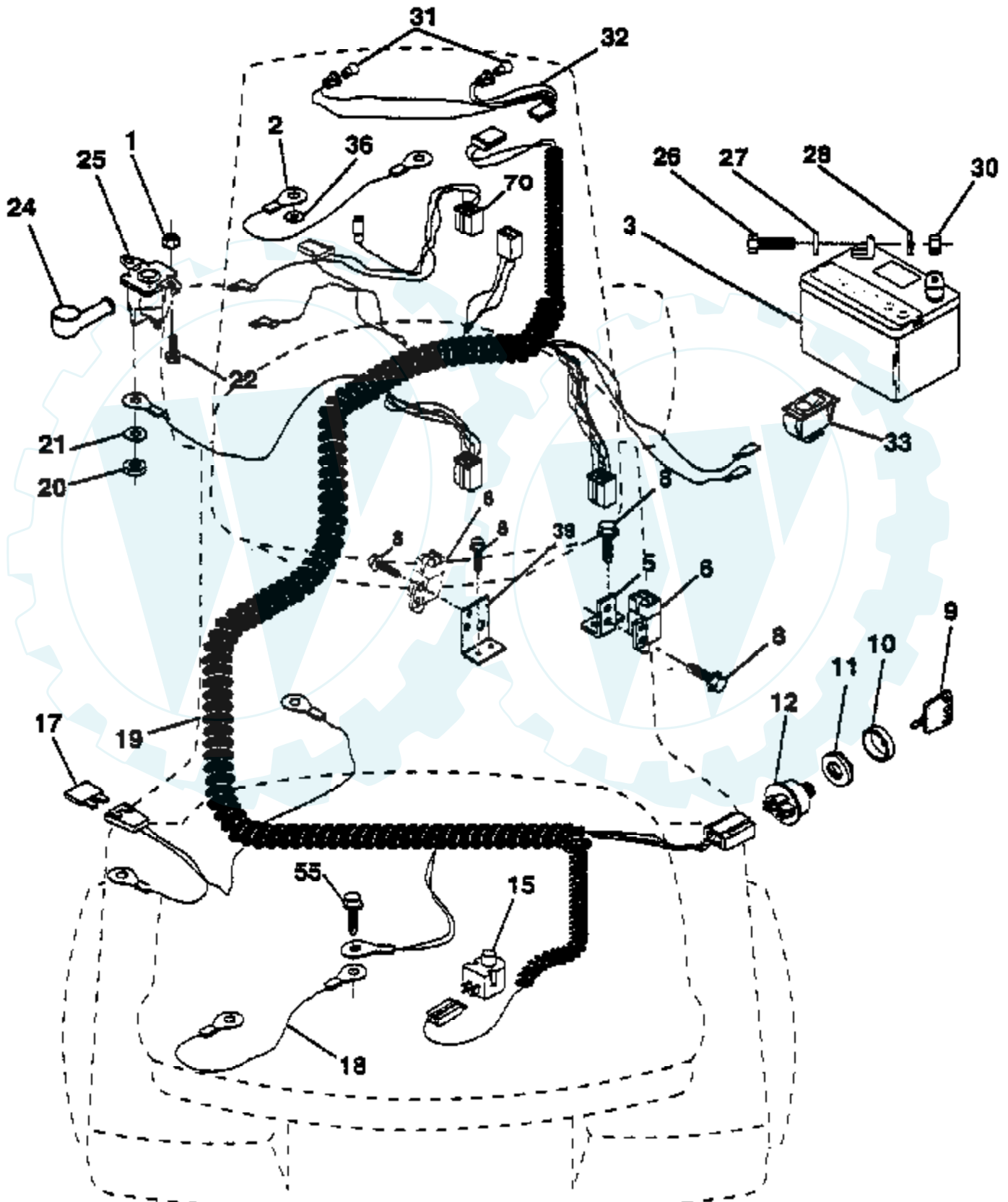


Ref #	Part Number	Qty	Description
1	144035		DECAL.ONL.SIDE
2	144027		DECAL.HD.RH.COOP
3	144028		DECAL.HD.LH.COOP
4	144038		DECAL.GRILLE.COOP
5	144040		DECAL.INS.WHL.STG
6	125690X		DECAL
7	144039		DECAL.FEND.COOPER
10	145545		DECAL.OP.INST.SYM
11	145494		DECAL.DANGER.CUTF
12	145005		DECAL.BATRY.3-3908
13	145498		DECAL.READ.O.MANU
14	136830		DECAL.V.BELT
15	135013		NLA
17	145437		DECAL.EURO.ST.CE.
	138311		DECAL HANDLE LIFT
	147193		MANUAL.OP.GEN.EUR
	147685		MANUAL.CB1136C
	MK360		MULCHER, KIT
	C36		REAR BAGGER



TRACTOR -- MODEL NUMBER CB1136C

ELECTRICAL

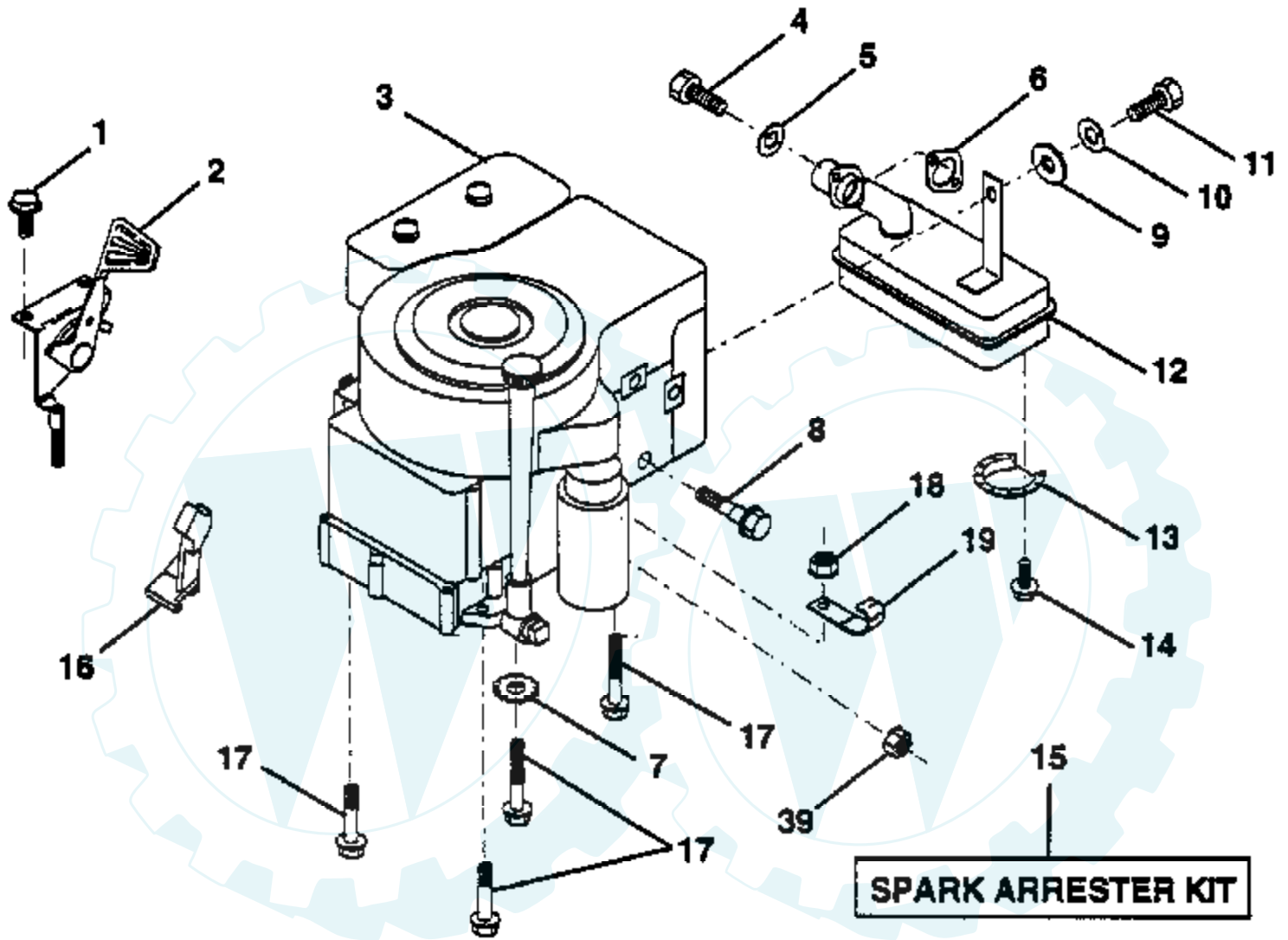


Ref #	Part Number	Qty	Description
1	73640400		NUT HXKEP 1/4X20
2	108423X		CABLE ASM.
3	144924		SUB= 123899X
5	108236X		BRACKET LT
6	109553X		SWITCH INTERLOCKT
8	17021008		SCREW
9	140402		KEY STEEL DELTA
10	141226		COVER KEY SWITCH
11	140400		SUB= 145774
12	144921		SUB= 163088
15	121305X		SWITCH SEAT
17	108824X		FUSE HYT
18	128353		CABLE ASSY
19	146064		HARNESS.IGN.LR.
20	73350400		NUT
21	10090400		SUB= 10040400
22	71110408		BOLT HXHD FIN
24	131563		SUB= 154336
25	145673		SUB= 146154
26	74760412		BOLT LT
27	19091016		WASHER
28	10040400		LOCKWASHER
30	73220400		SUB= 50675
31	4152J		HEADLAMP BULB
32	136850		"HARNESS,LIGHT SOC"
33	110712X		SWITCH LT
35	11050500		LOCKWASHER.5/16.E
36	11150400		LOCKWASHER
39	141735		BRACKET SWT CLUTC
55	17490508		SCREW LT
70	140413		HARNESS ENG DUAL

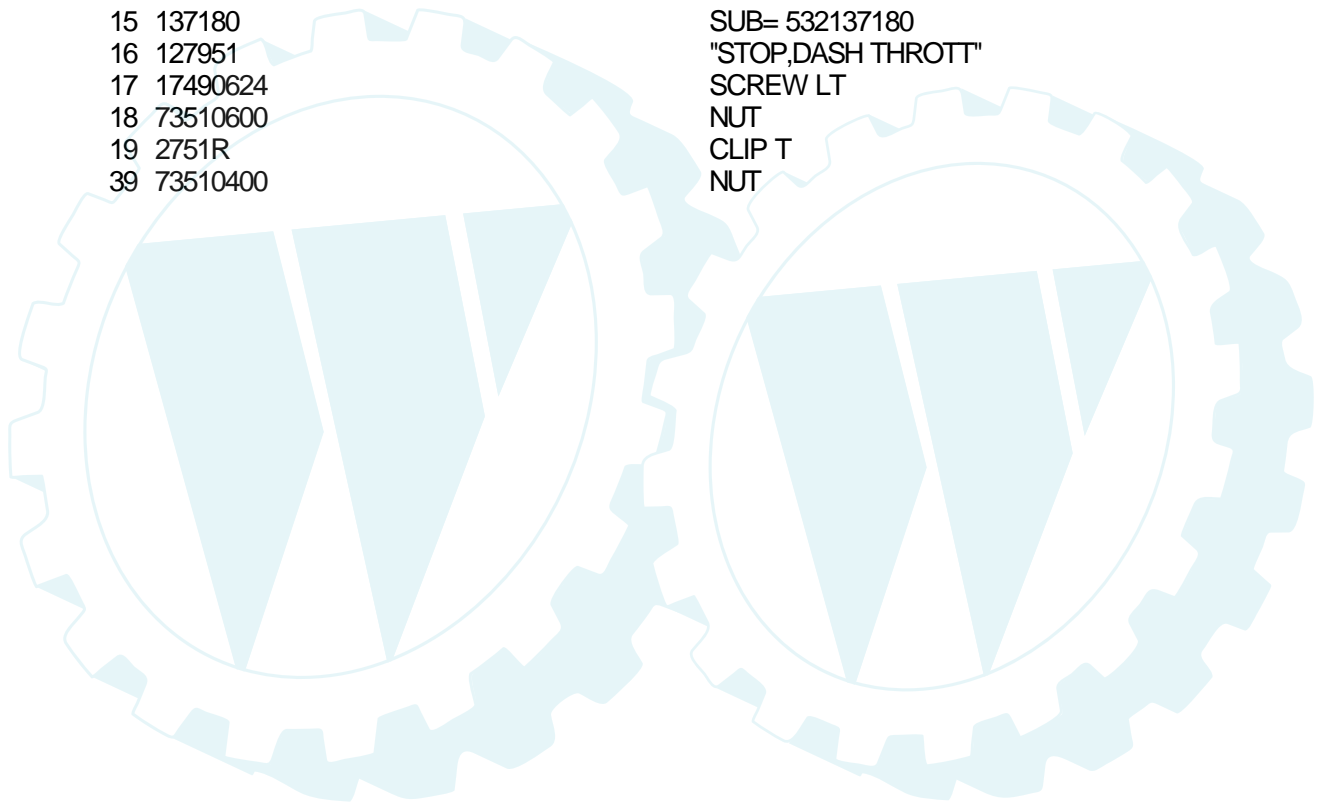
TRACTOR - - MODEL NUMBER CB1136C

ENGINE / THROTTLE

NOTE: All component dimensions given in U. S. inches
1 inch = 25.4 mm

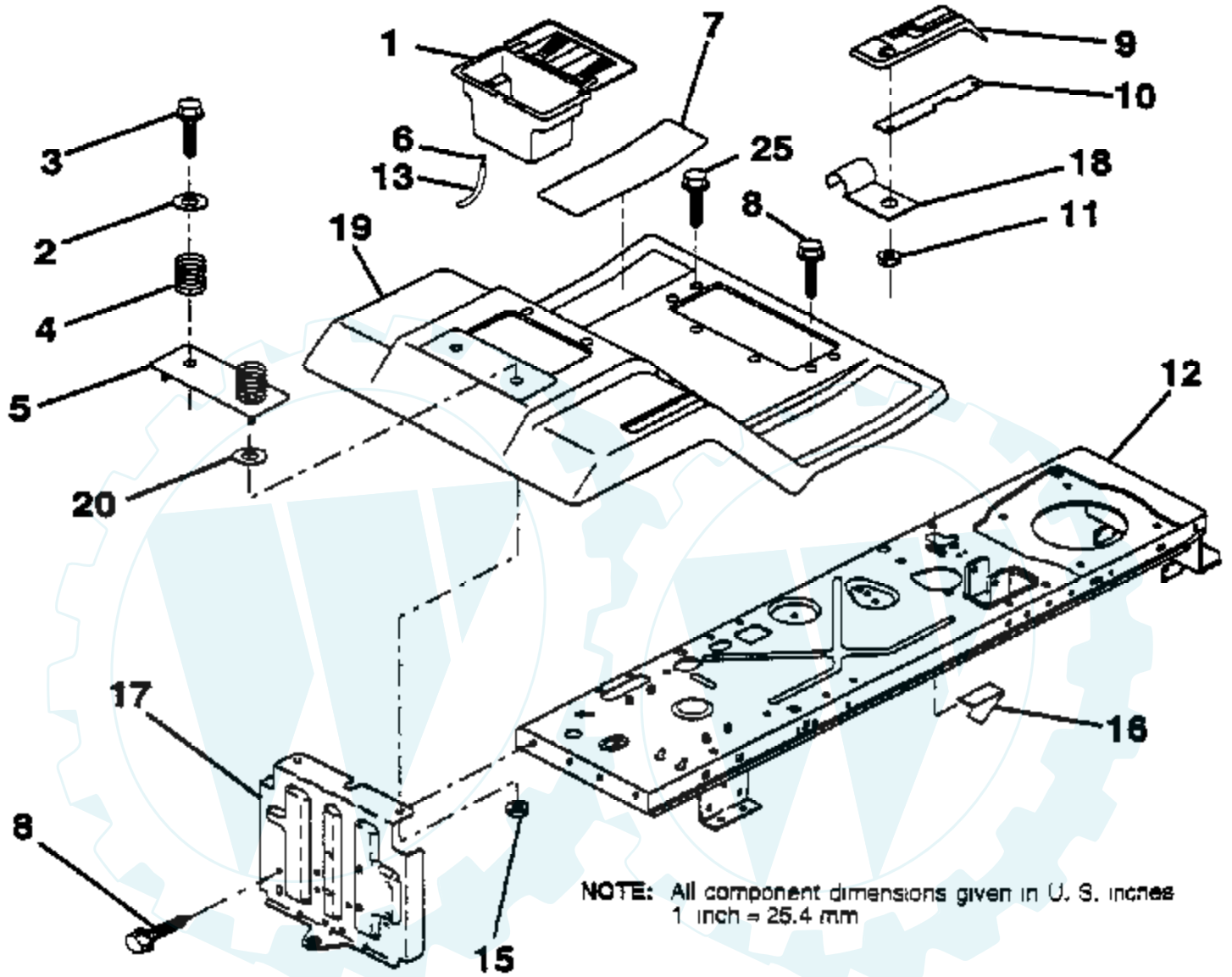


Ref #	Part Number	Qty	Description
1	17060408		SCREW.1/4-20X1/2
2	133025		SUB= 532133025
3	28C707		ENGINE, B&S, 11HP
4	71070512		SCREW
5	10040500		LOCKWASHER
6	125593X		SUB= 272293
7	11050600		LOCKWASHER
8	121094X		BOLT T
9	19101216		WASHER
10	10040400		LOCKWASHER
11	74760416		BOLT
12	137437		MUFFLER
13	101326L		DEFLECTOR.222573
14	17030808		SUB= 17030814
15	137180		SUB= 532137180
16	127951		"STOP,DASH THROTT"
17	17490624		SCREW LT
18	73510600		NUT
19	2751R		CLIP T
39	73510400		NUT

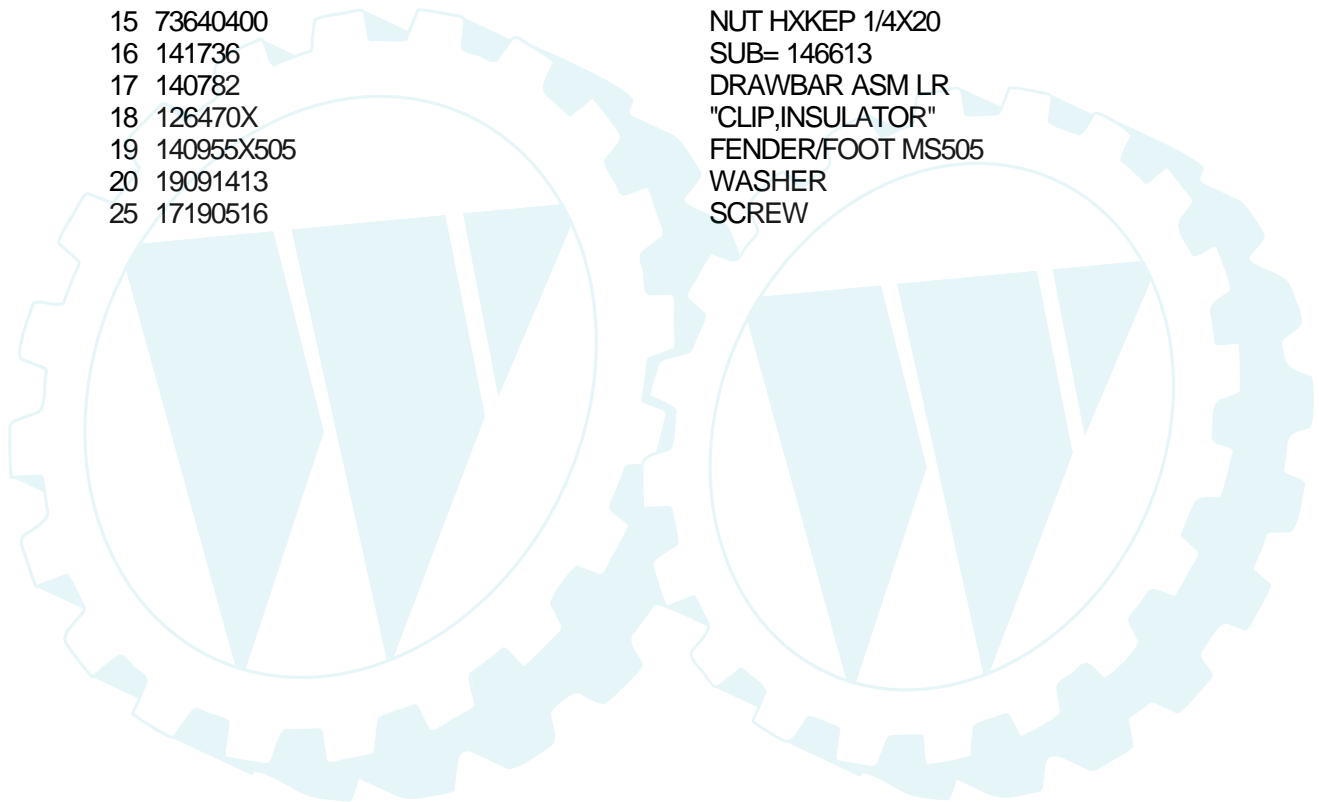


TRACTOR -- MODEL NUMBER CB1136C

FENDER / CHASSIS



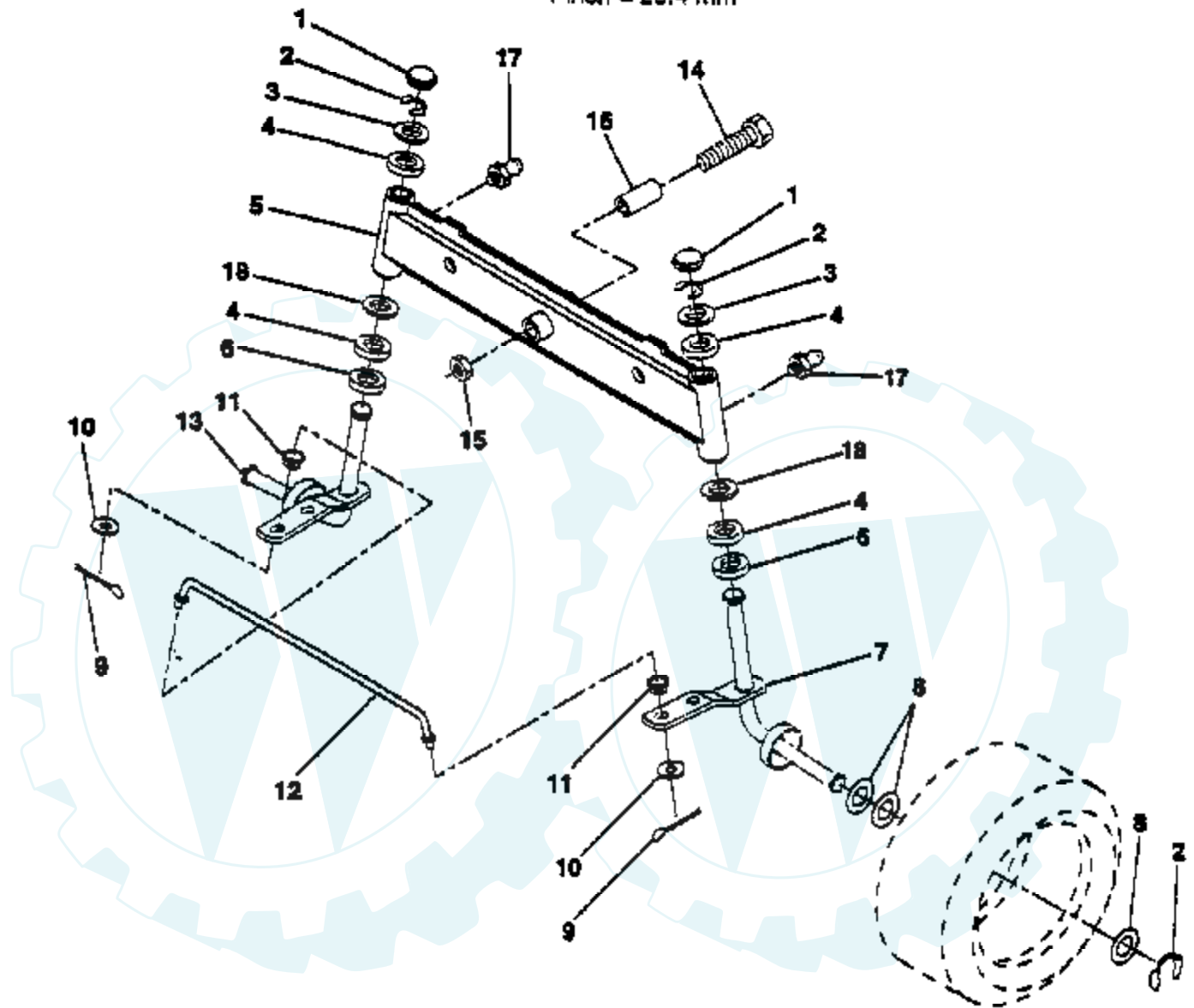
Ref #	Part Number	Qty	Description
1	129965		SUB= 156417
2	19132012		WASHER
3	17490612		SCREW
4	124181X		SPRING COMPRESSIO
5	127115X505		BTRY FENDER PLATE
6	109596X		HOSE CLAMP T
7	124144X		PAD FOOTREST
8	17490512		SCREW
9	126994X		CONSOLE SHFT 5SP
10	139783		PLATE LOCK SHIFT
11	124346X		NUT
12	145190		CHASSIS.WELD.ASM.
13	109238X		TUBE T
14	73800500		NUT
15	73640400		NUT HXKEP 1/4X20
16	141736		SUB= 146613
17	140782		DRAWBAR ASM LR
18	126470X		"CLIP,INSULATOR"
19	140955X505		FENDER/FOOT MS505
20	19091413		WASHER
25	17190516		SCREW



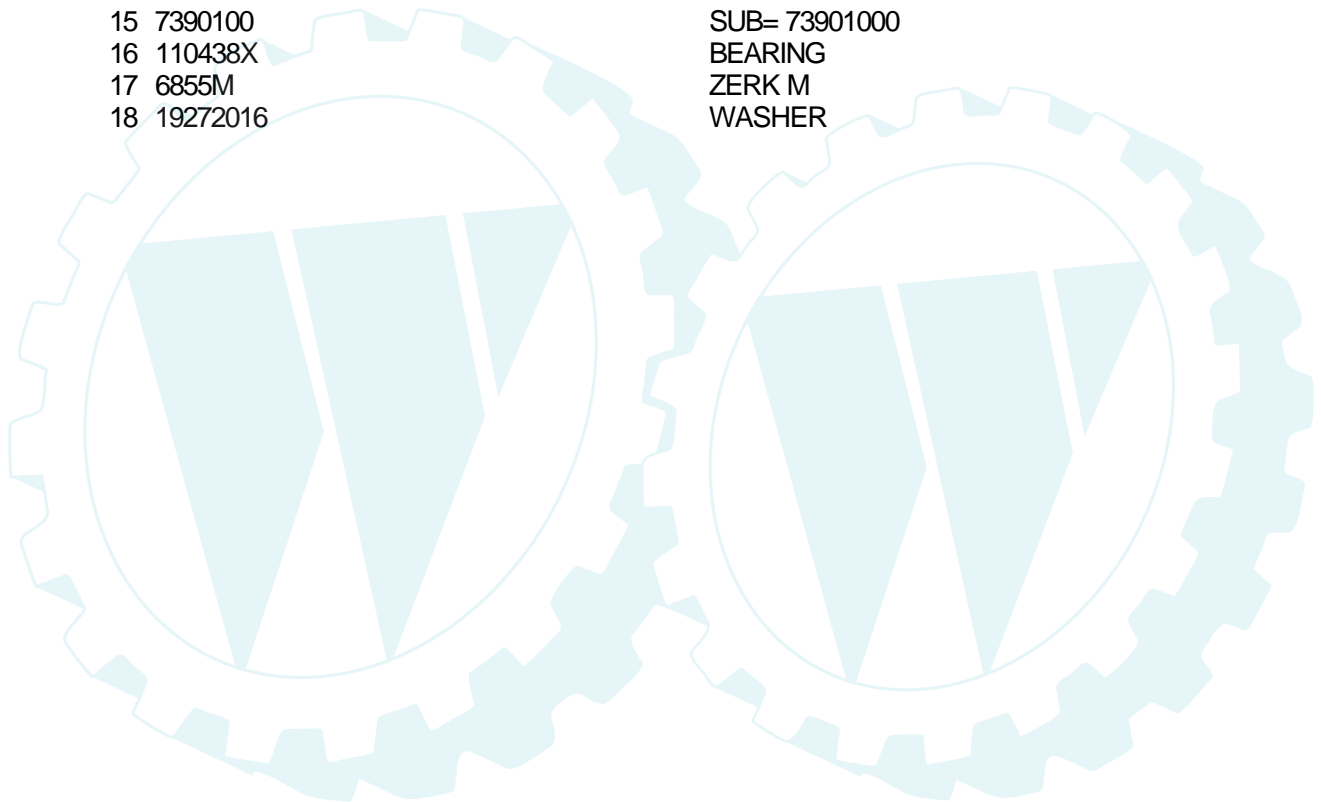
TRACTOR -- MODEL NUMBER CB1136C

FRONT AXLE

NOTE: All component dimensions given in U. S. inches
1 inch = 25.4 mm



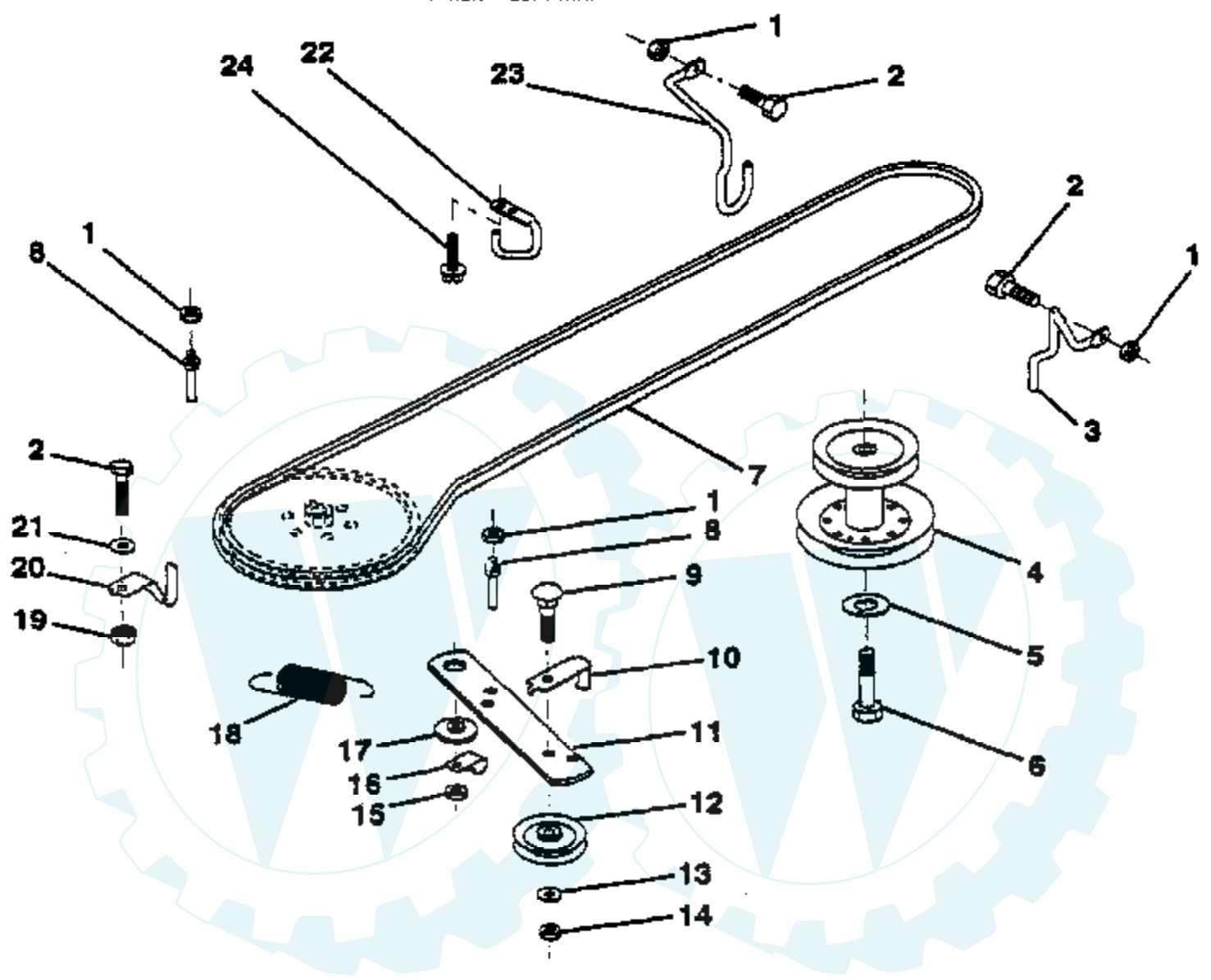
Ref #	Part Number	Qty	Description
1	121232X		CAP
2	12000029		RING
3	121748X		WASHER
4	3366R		COL. SRTG. BEAR.
5	142033		AXLE ASM FRONT
6	6266H		WASHER .T
7	137062		SPINDLE ASM RH
8	121749X		WASHER
9	76020412		COTTER PIN
10	19131316		WASHER
11	126847X		BUSHING.DRAGLINK
12	130465		TIE ROD
13	137061		SPINDLE ASM LH
14	74011056		BOLT HEX 5/8-11
15	7390100		SUB= 73901000
16	110438X		BEARING
17	6855M		ZERK M
18	19272016		WASHER



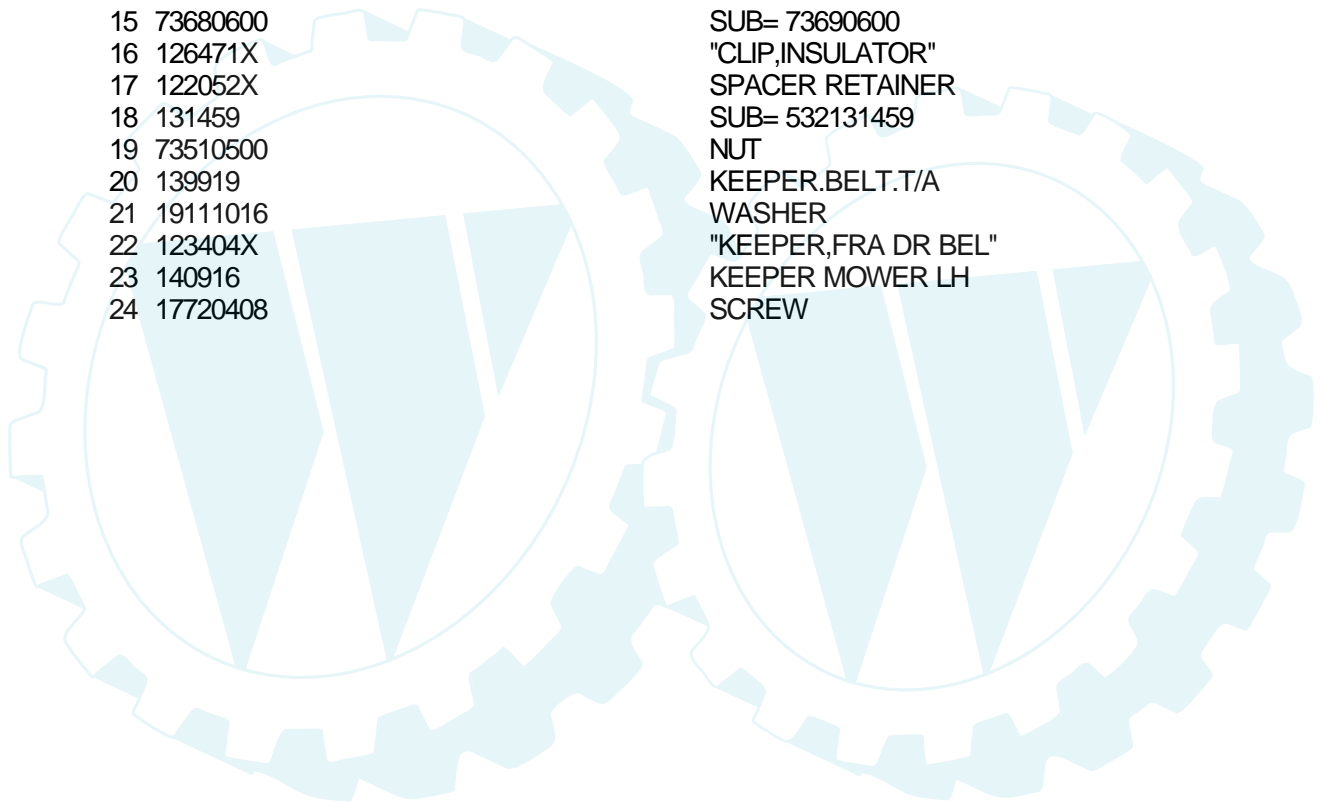
TRACTOR - - MODEL NUMBER CB1136C

GROUND DRIVE

NOTE: All component dimensions given in U. S. inches
1 inch = 25.4 mm



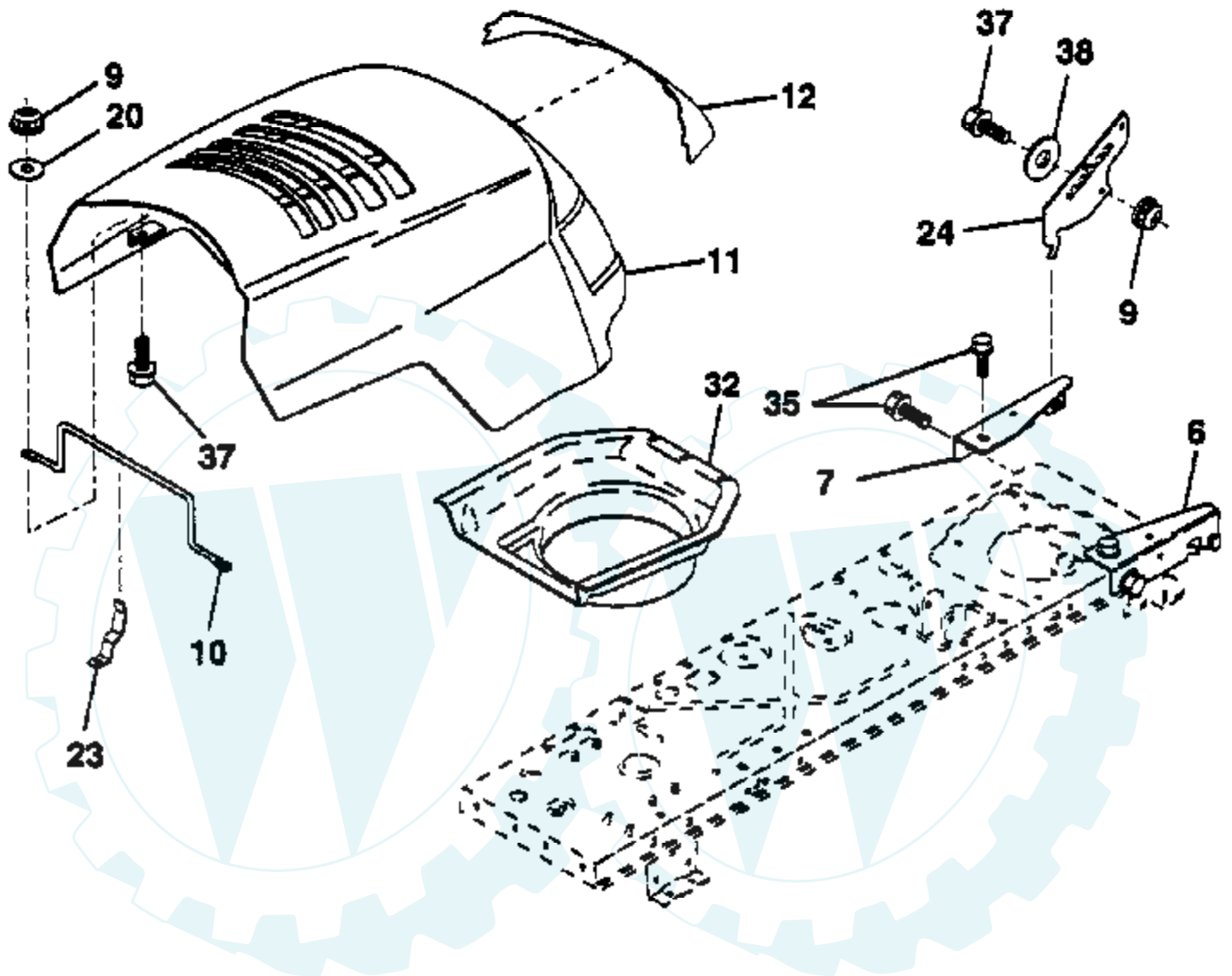
Ref #	Part Number	Qty	Description
1	73680500		SUB= 73690500
2	74760512		BOLT
3	141342		KEEPER RH
4	138029		PULLEY.ENGINE.LR
5	10040700		LOCKWASHER
6	71170744		HEX BOLT
7	124525X		BELT
8	123405X		"KEEPER,DRIVE BELT"
9	72140612		BOLT
10	123396X		"KEEP,IDLER DR BEL "
11	140911		ARM IDLER CLUT GD
12	123674X		PULLEY.IDLER.FLAT
13	19131316		WASHER
14	73930600		LOCKNUT
15	73680600		SUB= 73690600
16	126471X		"CLIP,INSULATOR"
17	122052X		SPACER RETAINER
18	131459		SUB= 532131459
19	73510500		NUT
20	139919		KEEPER.BELT.T/A
21	19111016		WASHER
22	123404X		"KEEPER,FRA DR BEL "
23	140916		KEEPER MOWER LH
24	17720408		SCREW



TRACTOR - - MODEL NUMBER CB1136C

HOOD

NOTE: All component dimensions given in U.S. inches.
1 inch = 25.4 mm

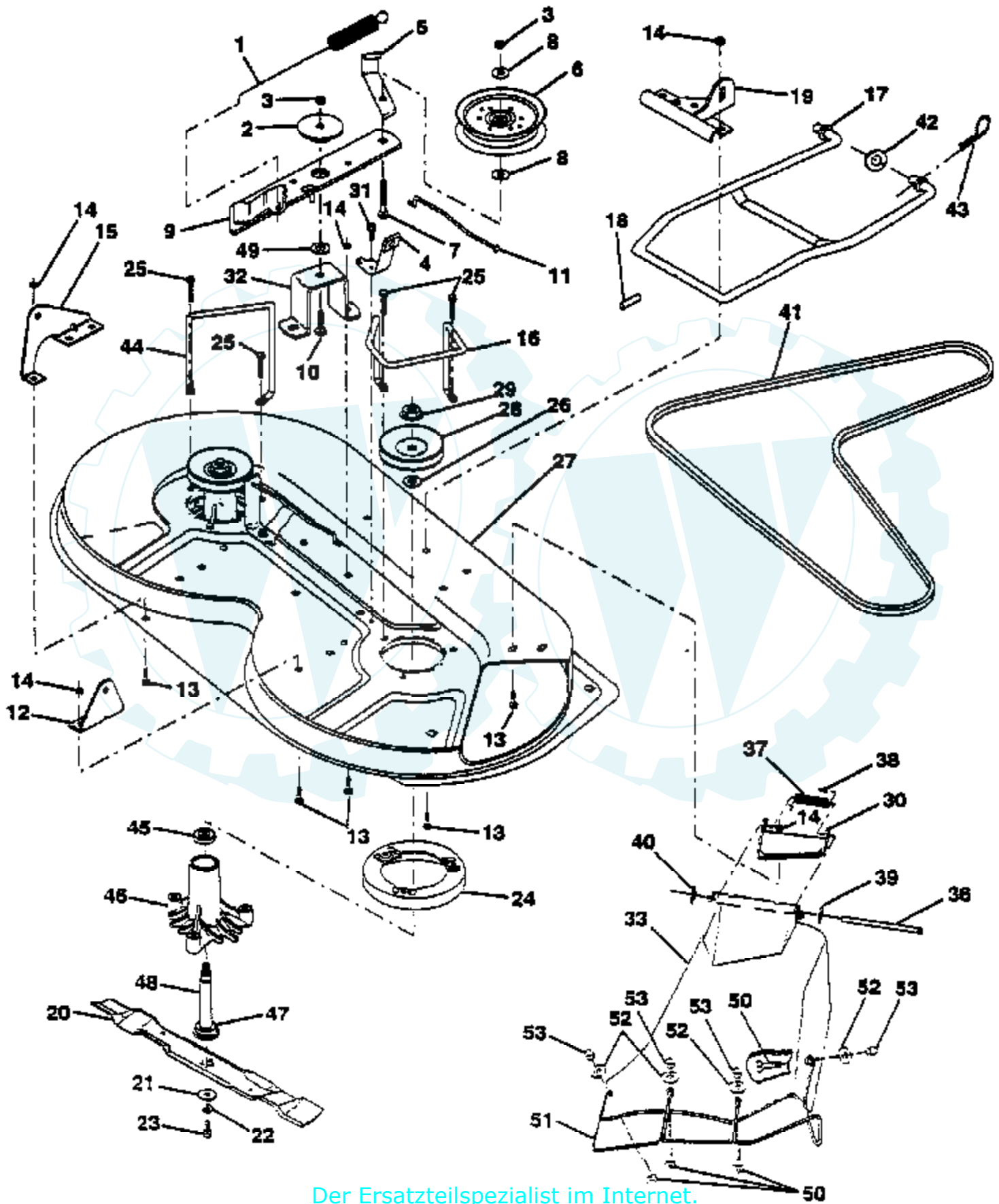


Ref #	Part Number	Qty	Description
6	140051		BRACKET ASM HD RH
7	140050		BRACKET ASM HD LH
9	73800400		NUT
10	141321		ROD SUPT HOOD
11	141509		HOOD/GRILLE.505
12	139298		LENS.PL.BAR.CLEAR
20	19091016		WASHER
23	139969		LATCH.HOOD.LR
24	139158		BRACKET.PVT.HOOD
32	139624		DUCT.INTAKE.AIR
35	17490512		SCREW
37	74760412		BOLT LT
38	19092016		WASHER



TRACTOR - - MODEL NUMBER CB1136C

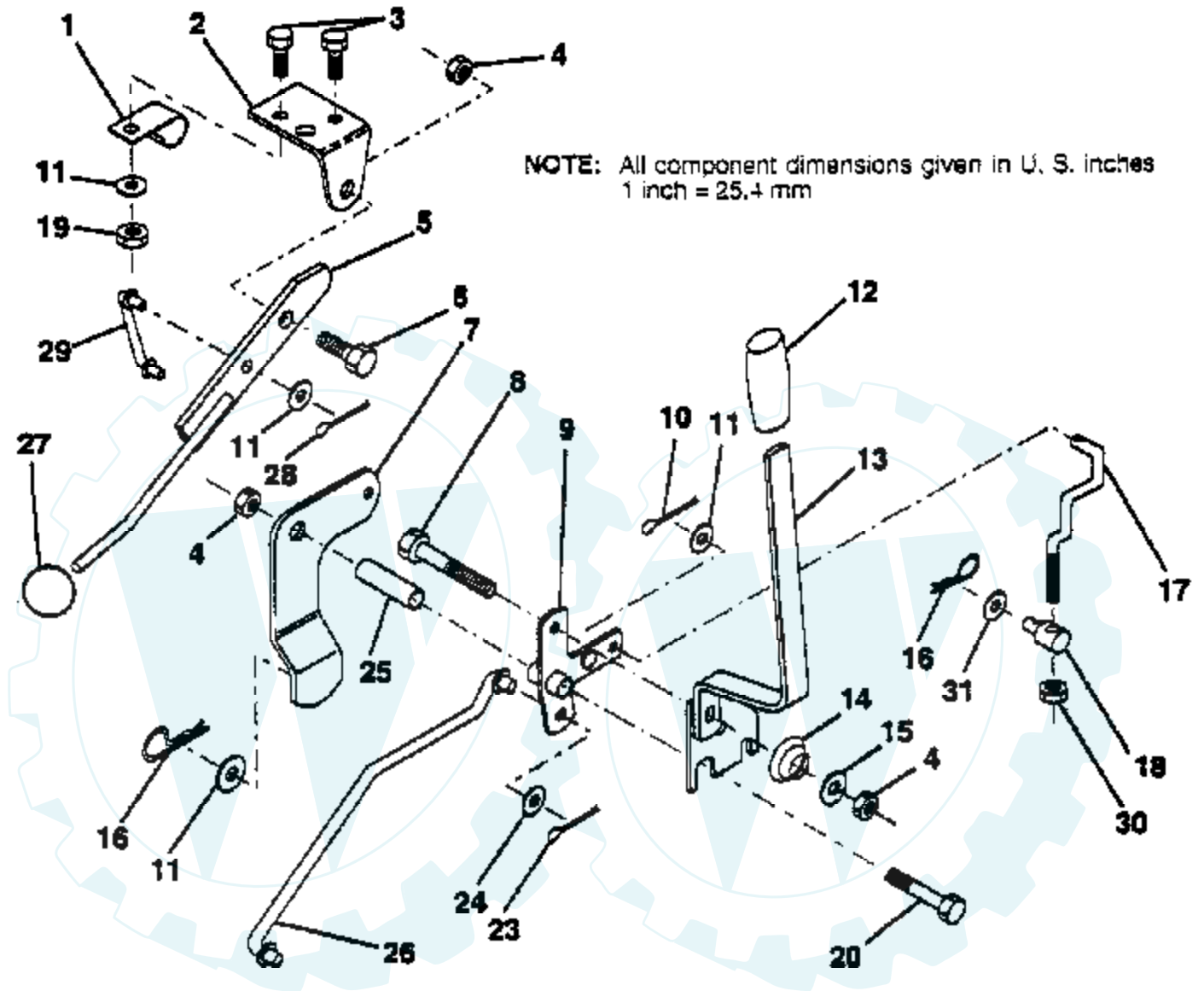
MOWER DECK



Ref #	Part Number	Qty	Description
1	140064		SPRING CLUTCH MWR
2	122052X		SPACER RETAINER
3	73680600		SUB= 73690600
4	130840		BRAKE ASM
5	131251		IDLER BELT GUIDE
6	121316X		PULLEY IDLER
7	72110616		BOLT
8	19131410		WASHER
9	127744		SUB= 140092
10	72140610		BOLT.3/8-14X1.25
11	130841		BRAKE ROD
12	127356		"BRKT,LIFT REAR"
13	72140506		BOLT
14	73680500		SUB= 73690500
15	127356		"BRKT,LIFT REAR"
16	140093		SUB= 153298
17	128508		MOWER LINK STAB
18	128511		"PIN,GROOVE"
19	127380		"BRKT,LINK STABILI"
20	138496		"BLADE.36"" HIPERF"
21	140296		WASHER.HARD.BLADE
22	10030600		SUB= 10040600
23	850857		BLADE BOLT
24	140329		STRIPPER RND MWR
25	138776		SUB= 157722
26	129963		WASHER
27	129983		SUB= 156600
28	129207		SUB= 153531
29	137266		SUB= 139729
30	136631		SUB= 532136631
31	17490508		SCREW LT
32	122051X		"SUPT,IDLER ARM"
33	139083		SHIELD.DEFL.36TUV
36	121980X		HINGE ROD
37	123713X		SPRING TORSION
38	105304X		CAP-SLEEVE LT
39	19111016		WASHER
40	110452X		NUT PUSH M
41	131264		V-BELT.PRIM.78.5.
42	19171616		WASHER
43	3146R		RETAINER.SPRING
44	140608		KEEPER BELT LH
45	110485X		BEARING
46	128774		HSG ASM MANDREL
47	129895		BEARING.BALL
48	137645		SUB= 137646
49	133943		HARDENED WASHER
50	M720305016		BOLT M5X0.8X16
51	136383		GUARD.DFTR.MWR.36
52	19070718		NLA
53	M730705000		"NUT, M5X0.8"
	130794		MANDREL ASM
	144973		DECK.36.LR

TRACTOR -- MODEL NUMBER CB1136C

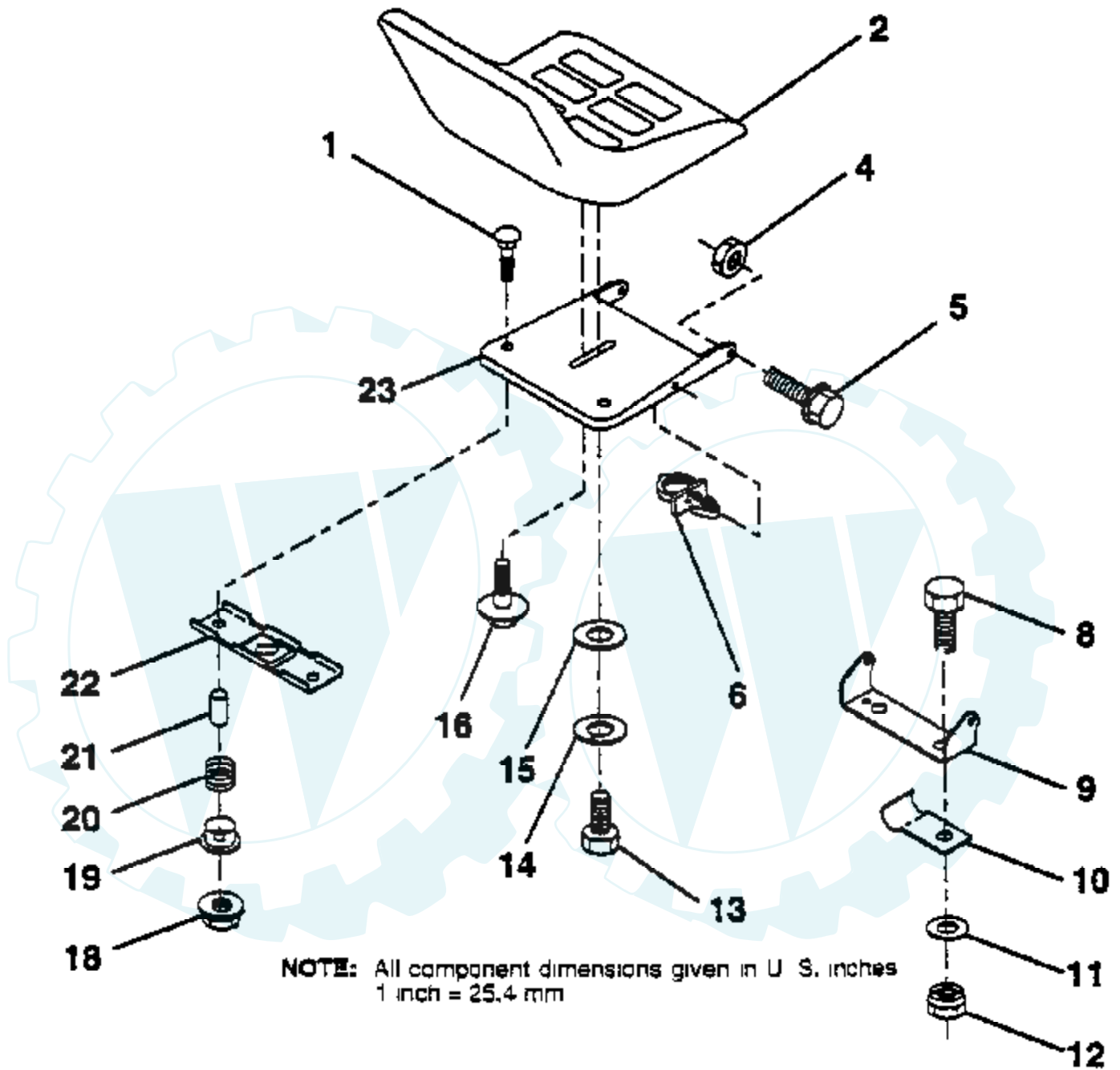
MOWER LIFT LEVER



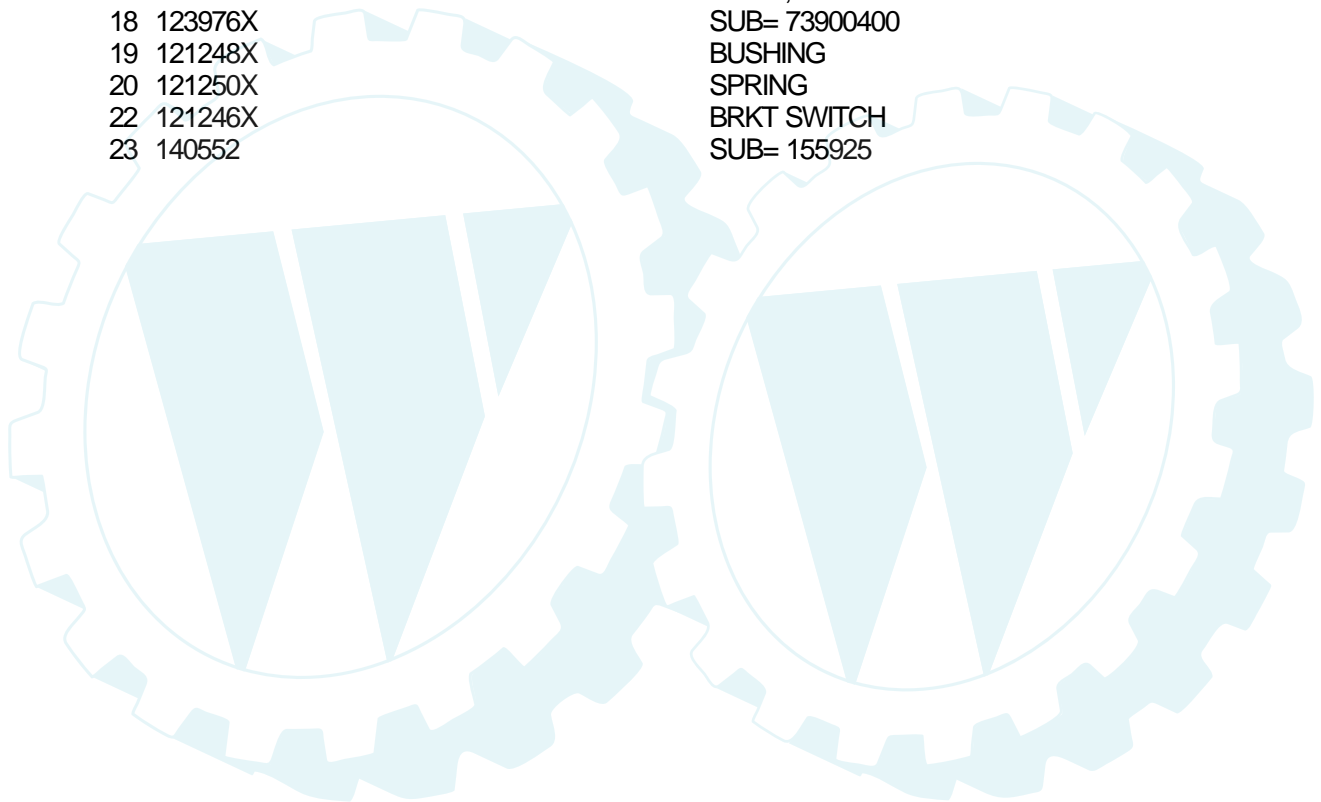
Ref #	Part Number	Qty	Description
1	126470X		"CLIP,INSULATOR"
2	122018X		BRKT CLUTCH
3	71110408		BOLT HXHD FIN
4	73680600		SUB= 73690600
5	145187		LEVER.ASM.CLUTCH
6	106451X		"BOLT, SHOULDER LT"
7	135371		MWR CLUTCH ARM AS
8	74760636		BOLT
9	121930X		"BELLCRANK,LIFT"
10	76020412		COTTER PIN
11	19131316		WASHER
12	131861		SUB= 532131861
13	139352		HANDLE.ASM.LIFT
14	123496X		SPRING COMPRESSIO
15	19131212		WASHER T
16	4921H		SPRING.RETAINER
17	127359		"LINK,LIFT FRT"
18	142028		TRUNION ADJ
19	73680400		SUB= 73690400
20	74760644		BOLT
23	76020416		PIN COTTER 1/8
24	19171612		WASHER GT
25	121933X		TUBE SPACER
26	141470		ROD LIFT MOWER
27	106932X		KNOB T(3/8 HOLE)
28	76020312		SUB= 3145
29	131655		CLUTCH LINK
30	73350600		NUT
31	19132012		WASHER

TRACTOR - - MODEL NUMBER CB1136C

SEAT

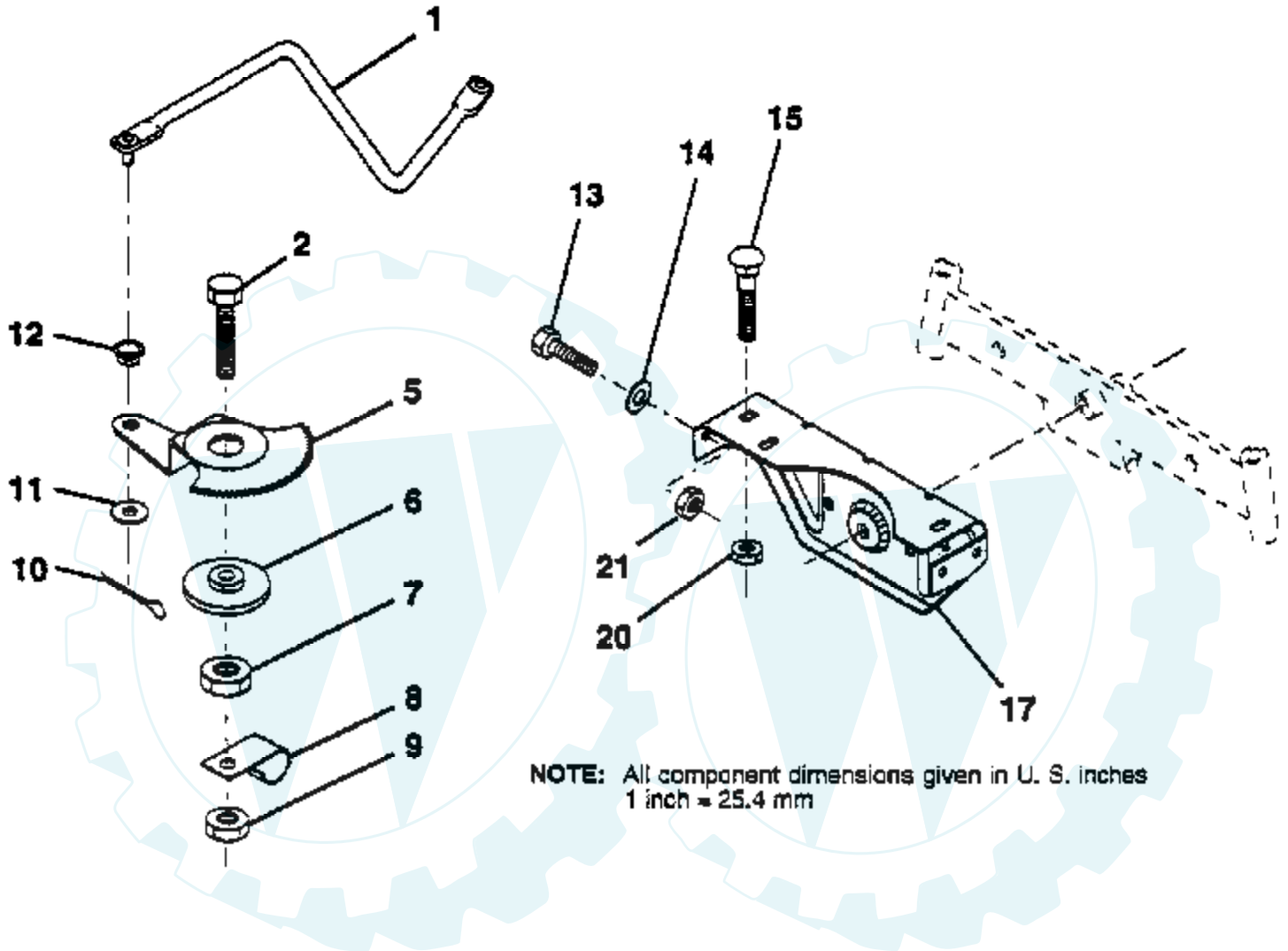


Ref #	Part Number	Qty	Description
1	72050411		SUB= 872050411
2	127428X		SUB= 140121
4	73680500		SUB= 73690500
5	139888		BOLT.SHLD.5/16-18
6	145006		CLIP.PUSH-IN.HING
8	74760616		BOLT
9	140551		BRACKET PVT SEAT
10	126471X		"CLIP,INSULATOR"
11	19133210		WASHER
12	73800600		NUT
13	74780814		BOLT
14	10040800		LOCKWASHER
15	19171912		WASHER
16	127018X		"BOLT,SHOULDER"
18	123976X		SUB= 73900400
19	121248X		BUSHING
20	121250X		SPRING
22	121246X		BRKT SWITCH
23	140552		SUB= 155925

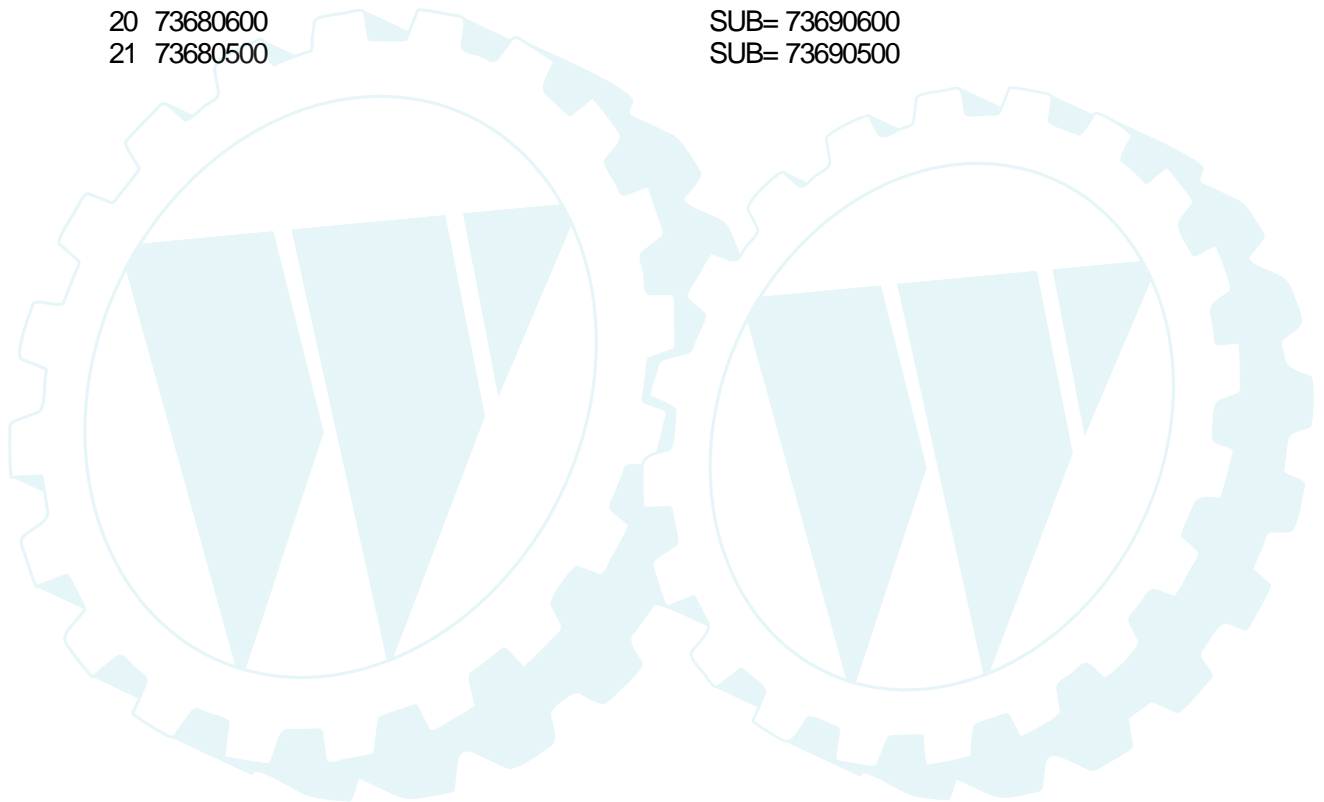


TRACTOR - - MODEL NUMBER CB1136C

SECTOR GEAR / AXLE SUPPORT



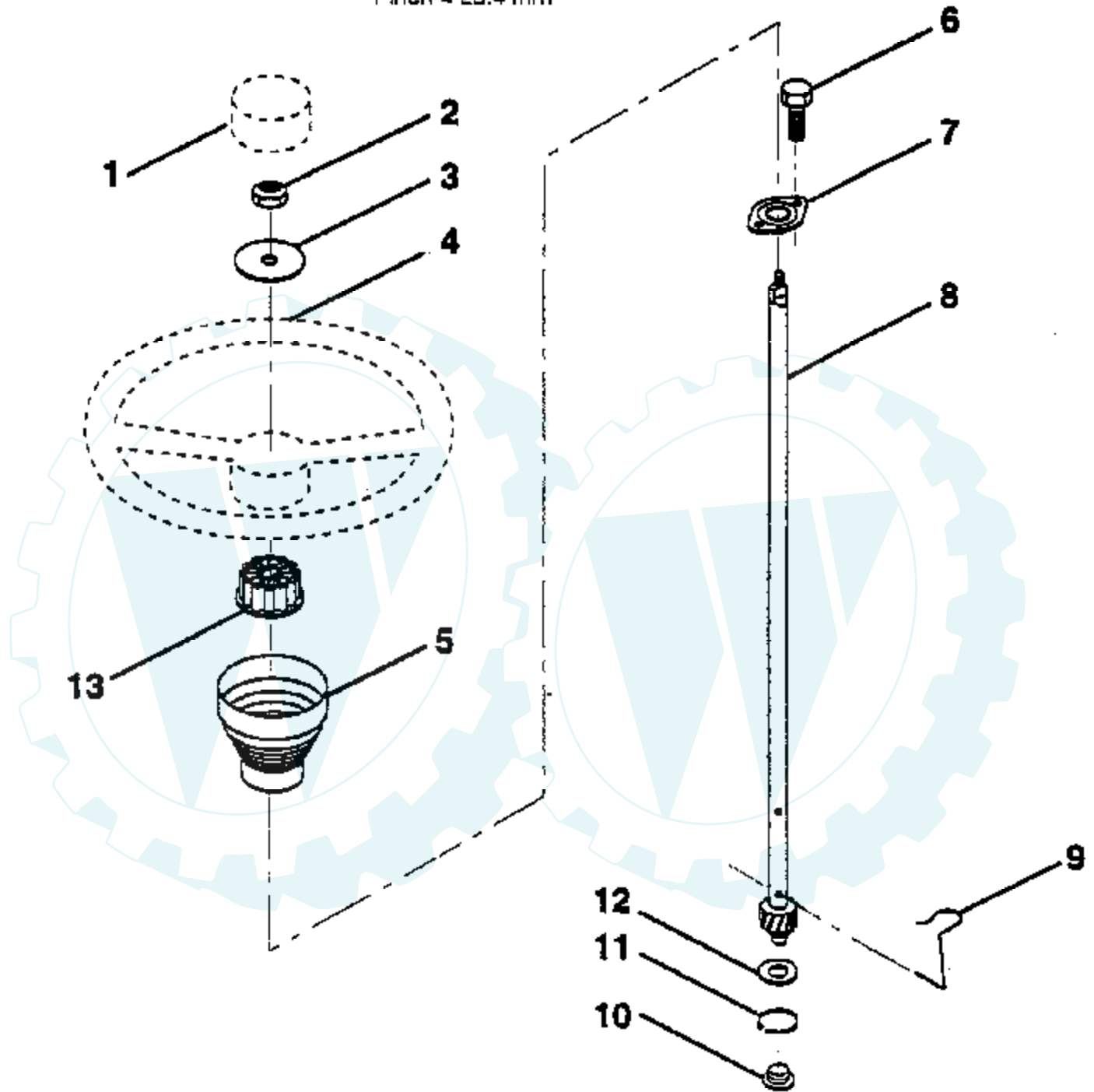
Ref #	Part Number	Qty	Description
1	132566		DRAG LINK
2	74780828		"BOLT,HEX"
5	121926X		GEAR SECTOR
6	121927X		BUSHING
7	73030800		NUT
8	126472X		CLIP INSULATOR
9	73680800		NUT LTV
10	76020412		COTTER PIN
11	19131316		WASHER
12	126847X		BUSHING.DRAGLINK
13	74760512		BOLT
14	19111416		WASHER
15	72110606		BOLT
17	137096		SUPT AXLE FRONT
20	73680600		SUB= 73690600
21	73680500		SUB= 73690500



TRACTOR - - MODEL NUMBER CB1136C

STEERING WHEEL

NOTE: All component dimensions given in U.S. Inches
1 inch = 25.4 mm



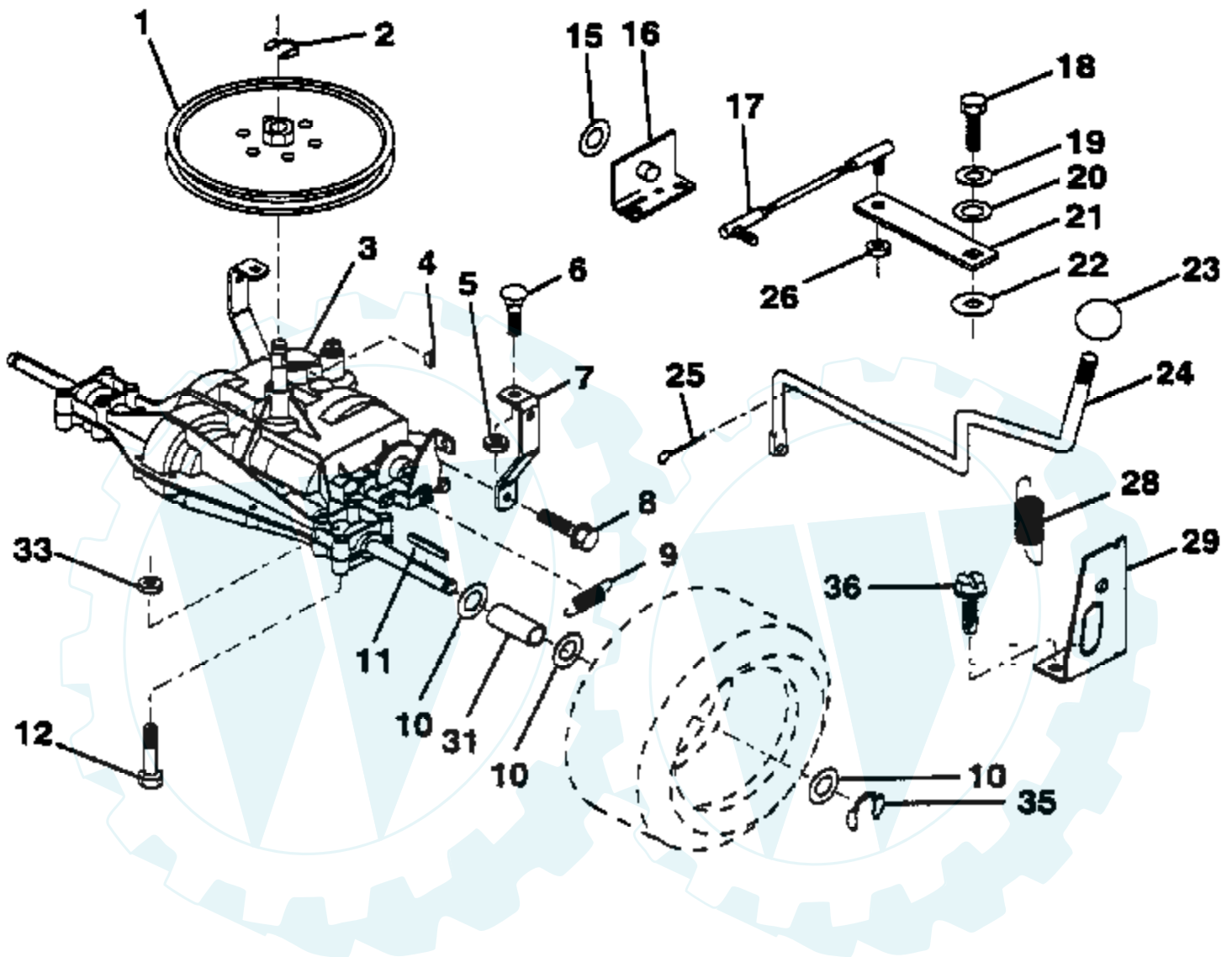
Ref #	Part Number	Qty	Description
1	133742		ST WHL INSERT CAP
2	7810H		GRIPCO NUT
3	19133808		WASHER T
4	133741		SUB= 150547
5	121897X		SLEEVE STEERING
6	17431008		SUB= 98000165
7	102803X		SUB= 918102803X
8	123651X		SUB= 148966
9	124210X		STEERING CLIP
10	123438X		BUSHING STEER LWR
11	12000045		RING
12	19211616		WASHER LT
13	104820X		ADAPTER-WHEEL LT



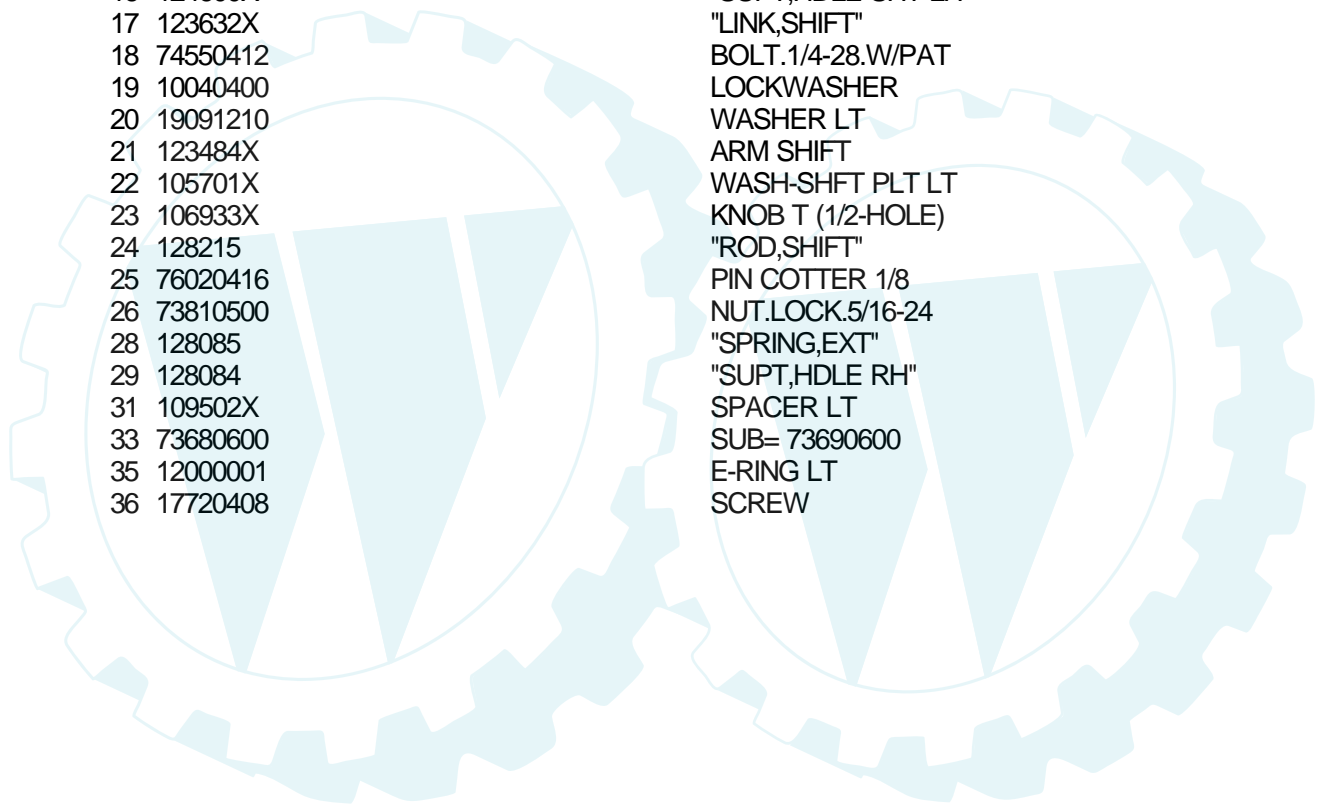
TRACTOR - - MODEL NUMBER CB1136C

TRANSAXLE

NOTE: All component dimensions given in U. S. inches
1 inch = 25.4 mm

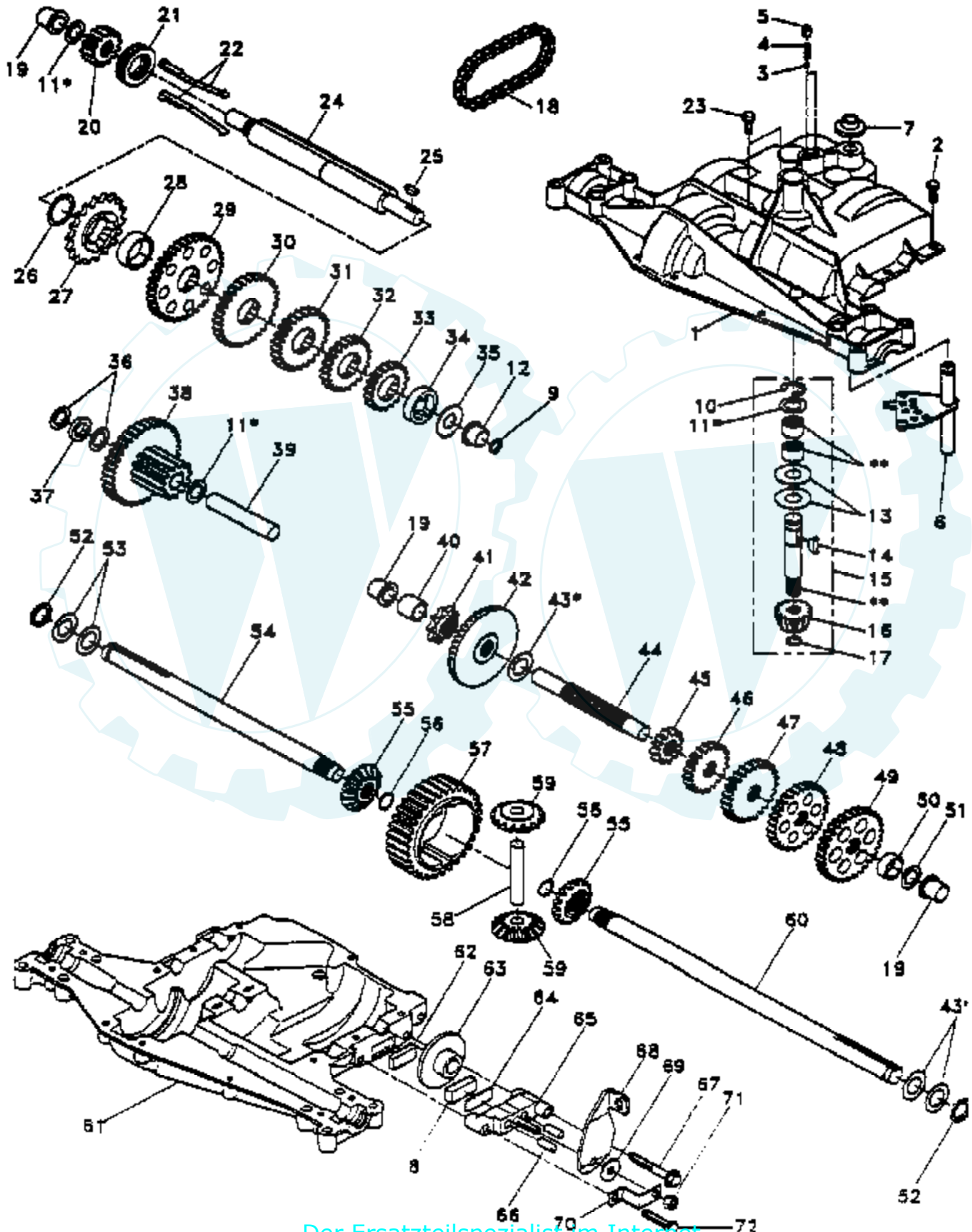


Ref #	Part Number	Qty	Description
1	123385X		PULLEY
2	12000028		SUB= 2267J
3	142602		SUB= 160851
4	2228M		SUB= 2228M1
5	73680500		SUB= 73690500
6	72140506		BOLT
7	123378X		"STRAP,TORQUE"
8	17490512		SCREW
9	146682		SPRING.BRAKE.RETU
10	121749X		WASHER
11	123583X		SQUARE KEY
12	74760644		BOLT
15	19171616		WASHER
16	124600X		"SUPT,HDLE SHT LH"
17	123632X		"LINK,SHIFT"
18	74550412		BOLT.1/4-28.W/PAT
19	10040400		LOCKWASHER
20	19091210		WASHER LT
21	123484X		ARM SHIFT
22	105701X		WASH-SHFT PLT LT
23	106933X		KNOB T (1/2-HOLE)
24	128215		"ROD,SHIFT"
25	76020416		PIN COTTER 1/8
26	73810500		NUT.LOCK.5/16-24
28	128085		"SPRING,EXT"
29	128084		"SUPT,HDLE RH"
31	109502X		SPACER LT
33	73680600		SUB= 73690600
35	12000001		E-RING LT
36	17720408		SCREW



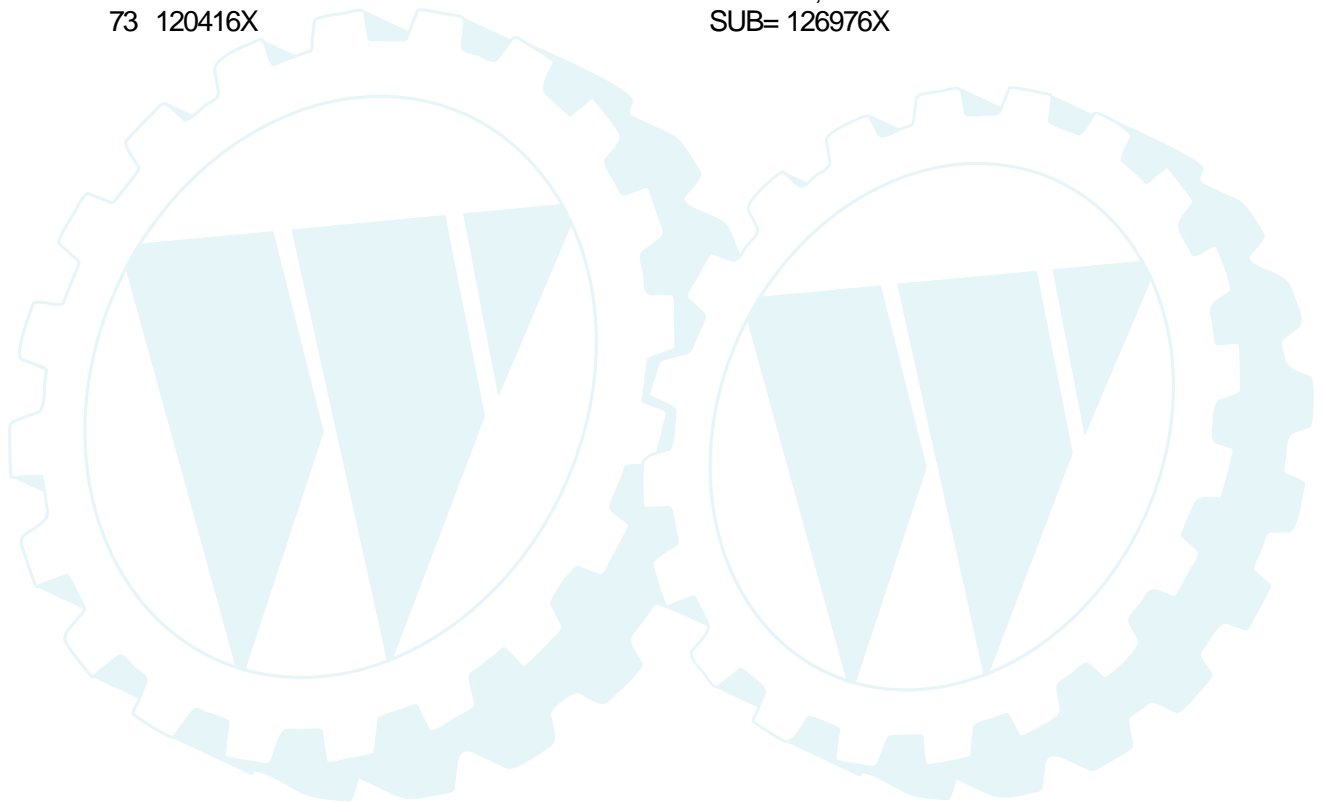
TRACTOR - - MODEL NUMBER CB1136C

DANA TRANSAXLE - MODEL NUMBER 4360-78



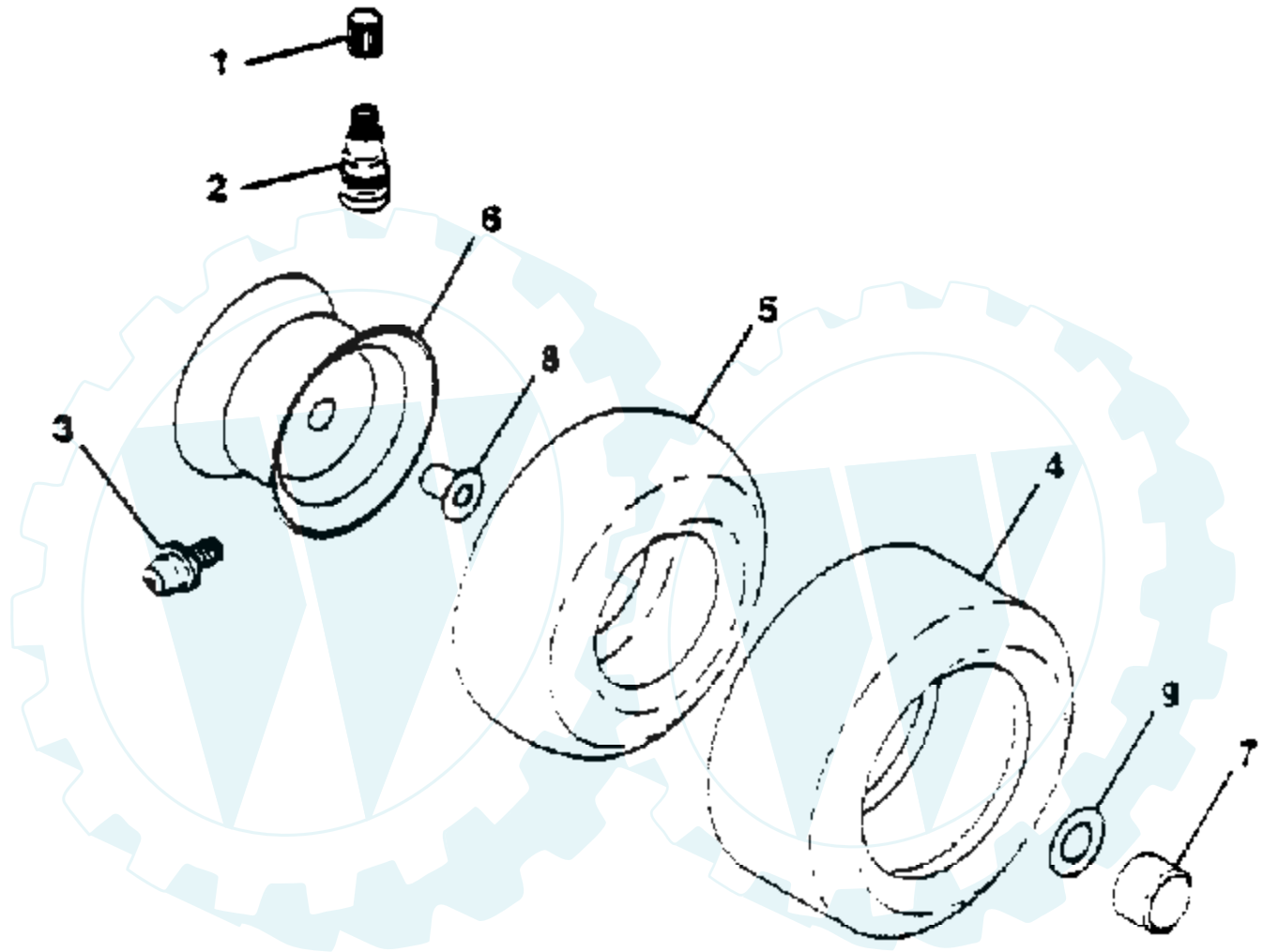
Ref #	Part Number	Qty	Description
1	142671		HOUSING UPPER TRN
2	2274J		SUB= 74760412
3	134400		SUB= 68003
4	105904X		"SPRING, DETENT LT"
5	105905X		"SCREW, SET LT"
6	138235		KIT SHIFTER ASM
7	134399		SHIFTER BOOT
8	120951X		PUCK T
9	143045		SEAL OIL DANA5416
10	142672		SUB= 2225J
11	134793		ASM KIT SHIM 4689
12	143051		SUB= 148268
13	120415X		WASHER T
14	142674		KEY WOODRUFF-DANA
15	138234		AS KIT INPUT SHFT
16	110078X		PINION 14T T
17	105909X		"RING,RETAINING LT"
18	105910X		"CHAIN,24 PTCH LT"
19	105911X		BEARING.FLNG.5510
20	142675		GEAR SPUR 14 TTH
21	138246		COLLAR CLUTCH
22	138236		ASM KIT CLTCH KEY
23	134791		SCREW TAP W/SEAL
24	142676		SHAFT INTERM DANA
25	2244J		WOODRUFF KEY
26	105916X		"RING,RETAINING LT"
27	120470X		SPROCKET 18T T
28	110070X		SPACER YT
29	142677		GEAR SPUR 37 TTH
30	120405X		SUB= 124644X
31	108980X		GEAR 25T LT
32	120406X		GEAR SPUR 22 TT
33	134796		SPUR GEAR 19T
34	134797		SPACER
35	105925X		"WASHER, PLAIN LT"
36	2232J		WASHER 025
37	108978X		SPACER
38	110079X		ASSM GEAR COMB
39	124639X		SHAFT IDLER
40	120472X		SPACER T
41	105928X		SPROCKET 9T LT
42	110084X		SUB= 167148
43	134394		ASM KIT SHIM
44	120473X		SHAFT T
45	142678		GEAR SPUR 12 TTH
46	120407X		SUB= 124641X
47	106589X		"GEAR, SPUR 25T LT"
48	120408X		GEAR 28T T
49	105937X		"GEAR, SPUR 31T LT"
50	105936X		SPACER LT
51	2226J		WASHER 060
52	134401		NEOPRENE WASHER
53	2264J		WASHER 031
54	120474X		SUB= 154658
55	110081X		GEAR 15T T
56	105941X		"RING,RETAINING LT"
57	110071X		SUB= 120478X
58	120952X		SHAFT T

Ref #	Part Number	Qty	Description
59	110082X		GEAR 1ST T
60	120475X		SUB= 154659
61	142680		HOUSING LOWER TNS
62	120961X		PUCK T
63	7294J		BRAKE DISC. T
64	108989X		SPACER LT
65	120953X		SUB= 918120953X
66	120954X		PIN T
67	134799		TAP SCREW
68	138244		SUB= 108992X
69	108996X		WASHER LT
70	120956X		NLA
71	73810500		NUT.LOCK.5/16-24
72	106596X		"SCREW, TAPPING LT"
73	120416X		SUB= 126976X



TRACTOR - - MODEL NUMBER CB1136C

WHEELS AND TIRES



NOTE: All component dimensions given in U.S. inches
1 inch = 25.4 mm.

Ref #	Part Number	Qty	Description
1	59192		VALVE CAP
2	65139		VALVE STEM LT
3	278H		FITTING LT
4	137422		SUB= 122073X
	132703		SUB= 532132703
5	59904		TUBE.5.3/4.5/6
	8134H		TUBE.16X6.5/7.5-8
6	122394X473		RIM ASM FRONT 6
	140325X473		"RIM ASM REAR 8""
7	104757X		HUB CAP
8	9040H		"FLANGE, BEARING"
9	121748X		WASHER
	144334		SEALANT.TIRE 10 OZ. TUBE

