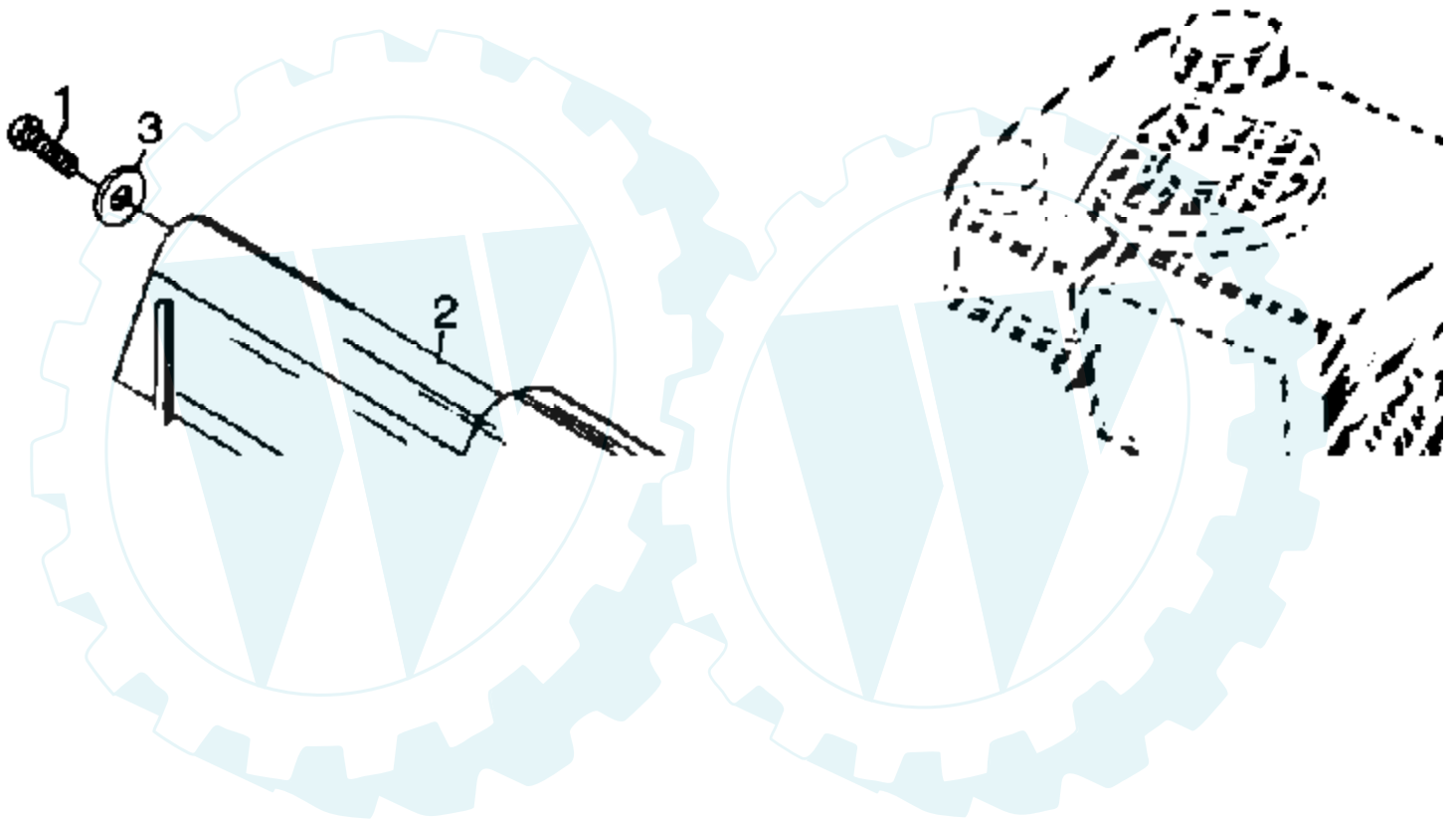
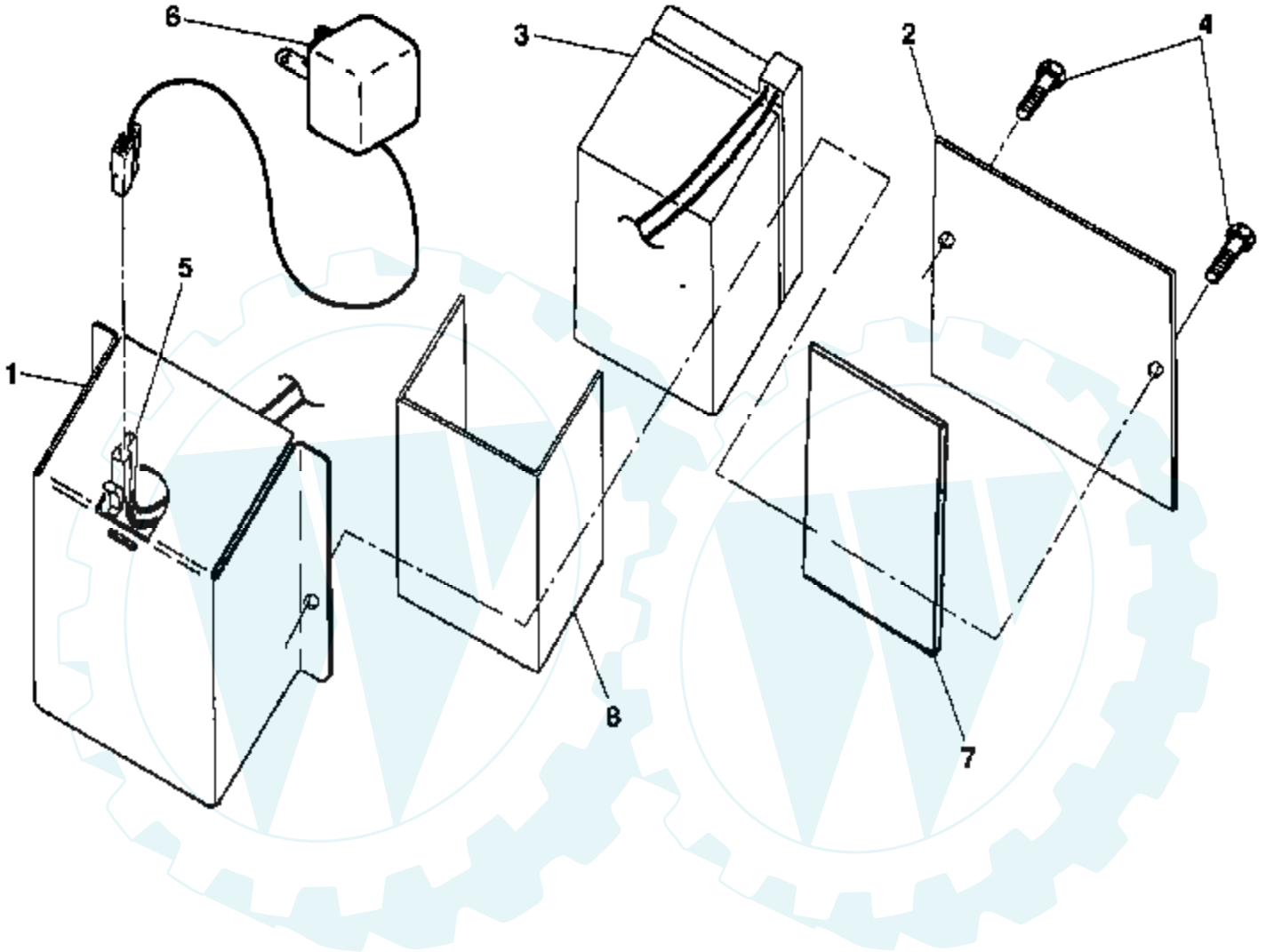


# 20" REAR BAGGER



Ref #	Part Number	Qty	Description
1	750097		TAPPING SCREW
2	750727		DRIVE CVR
3	4802		SUB= 19070818
4	851980		DRIVE PAWL
5	88043		PULLEY PM
6	12000030		RETAINING RING ST
7	54583		SCREW
8	851947X004		"CLUTCH,FRAME"
9	50962		LOCKNUT
10	88065X004		SUB= 702631X004
11	88067		SPACER PM
12	750253		LOCKNUT
13	72070504		CARRIAGE BOLT
14	74350424		BOLT 1/4-20-1 1/2
15	88069		SPACER PM
16	48160		IDLER ASSY
17	88576		IDLER SPACER
18	88517		SHOULDER BOLT
19	88516		IDLER PULLEY
20	87877		KNOB PM
21	700339		SUB= 151228
22	700340		SUB= 151226
23	88118		WASHER PM
24	88080		DUST SHROUD PM
25	67725		WASHER FLUT
26	88446		BUSHING.HEX
27	850690		WHEEL &TIRE ASSY
28	52160		WASHER
29	85179		RETAINER CLIP PM
30	77400		HUB CAP
31	12000057		SUB= 12000058
32	137054		PINION.GEAR
33	63601		SUB= 73800400
34	700537		SHAFT.DRIVE.17.81
35	88082		DRIVE PULLEY PM
36	850053		"DRIVE, BELT"
	850077		DECAL

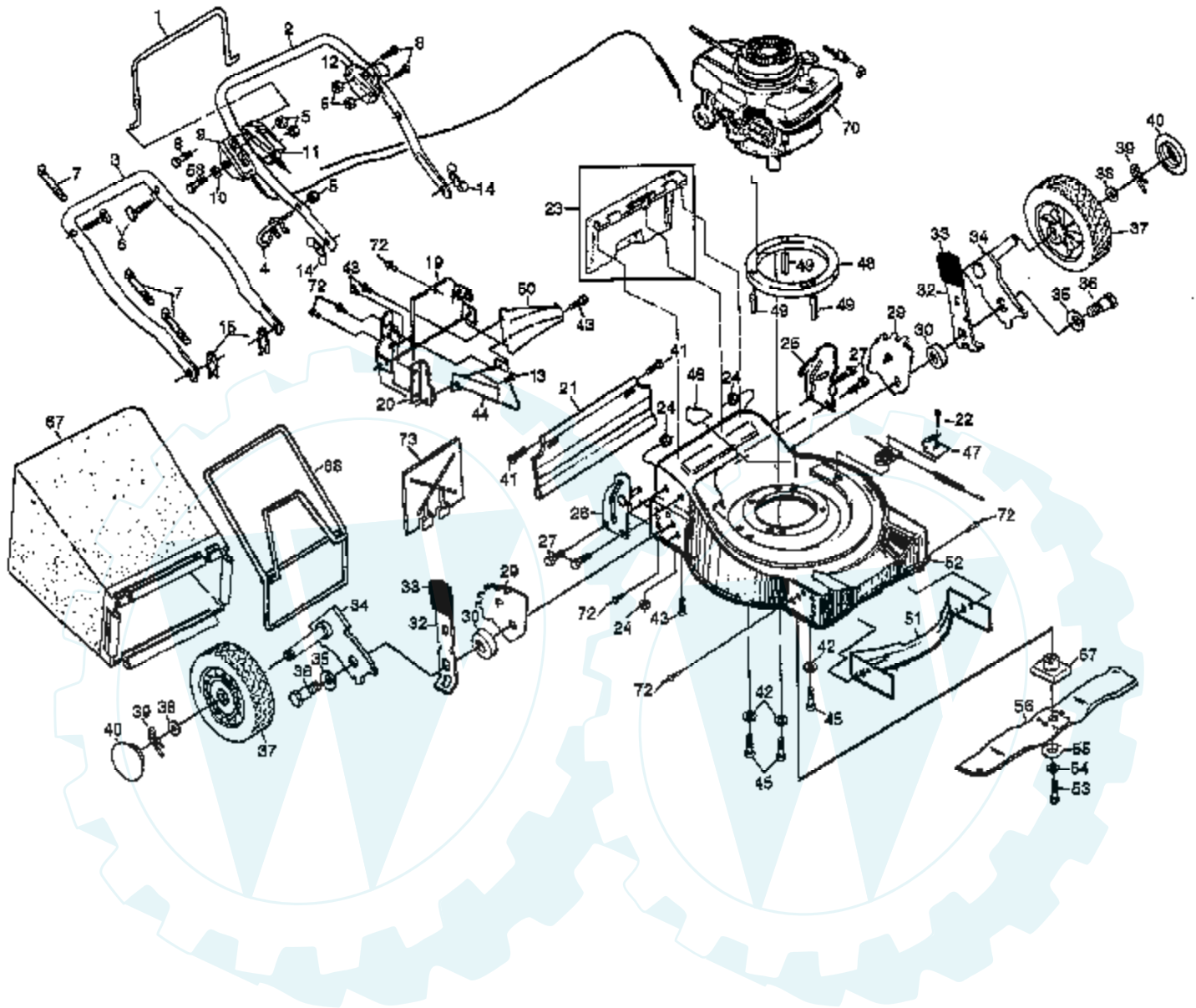
## 20" REAR BAGGER ROTARY LAWN MOWER - - MODEL NO. 2D772A



Ref #	Part Number	Qty	Description
1	86334X505		SUB= 86334X479
2	86337X505		SUB= 86337X479
3	750909		SUB= 48374
4	36953		SCREW SELF TAP
5	86353		CONNECTOR PM
6	111549X		CHARGER PM
7	86649		"PAD PM, BATTERY"
8	134861		"WRAP, BATTERY"



**20" REAR BAGGER ROTARY MOWER MODEL NO. 2D772A**



Ref #	Part Number	Qty	Description
1	133006		CONTROL BAR
2	132670X479		SUB= 154480X479
3	134081X479		SUB= 151590X479
4	132001		ROPE GUIDE
5	63601		SUB= 73800400
6	131959		BOLT.HANDLE.LM
7	66426		SUB= 7192J
8	85692		SUB= 74250434
9	107224X		SUB= 107245X
10	85723		WASHER PM
11	128787		ENGINE CONTROL
12	133879		DRIVE CONTROL
13	86344		SCREW PM
14	128638		"NUT,WING PM"
15	51793		HAIRPIN COTTER
19	700355X419		SUB= 700355X479
20	700363X419		SUB= 700363X479
21	133259		SUB= 140657
22	85768		"SCREW, HEX PM"
23	48257		"KIT, REAR DOOR PM"
24	751592		LOCKNUT PM
25	700913X505		SUB= 150956
26	700915X505		SUB= 150956
27	55187		SCREW
29	700375		SUB= 700325X007
30	84920		SUB= 146630
32	700331X004		SPRING SELECTOR
33	87877		KNOB PM
34	85021X004		AXLE ARM
35	62335		"WASHER, BELLEVIL."
36	84921		SUB= 142748
37	850957		WHEEL&TIRE ASSY
38	52160		WASHER
39	85179		RETAINER CLIP PM
40	77400		HUB CAP
41	88652		HINGE SCREW
42	53998		SUB= 19131216
43	54583		SCREW
44	133188X479		DISCHARGE GUARD
45	850999		SCREW
46	107339X		DECAL HYT
47	88615		BRKT DRV COV
48	850988		ENGINE SPACER
49	850987		SUB= 850988
50	700063X479		REAR BAFFLE
51	132198X479		SUB= 144961
52	702380		SUB= 702084
53	851084		SCREW
54	850263		LOCKWASHER
55	851074		"WASHER,HARDEN"
56	134871		SUB= 145106
57	851514		ADAPTOR.BLADE.LM
58	851185		SUB= 128889
67	132655		GRASS BAG
68	133413		CATCHER FRAME
70			REFER TO IMAGE
72	128415		BLIND RIVET
73	133169X479		MULCHER PLATE

Ref #	Part Number	Qty	Description
	851101		DECAL ELEC START ENGINE
	700480		"MANUAL,OP"
	701435		NLA
	702396		MANUAL.P.2D772A
	133414		HOUSING DECAL

