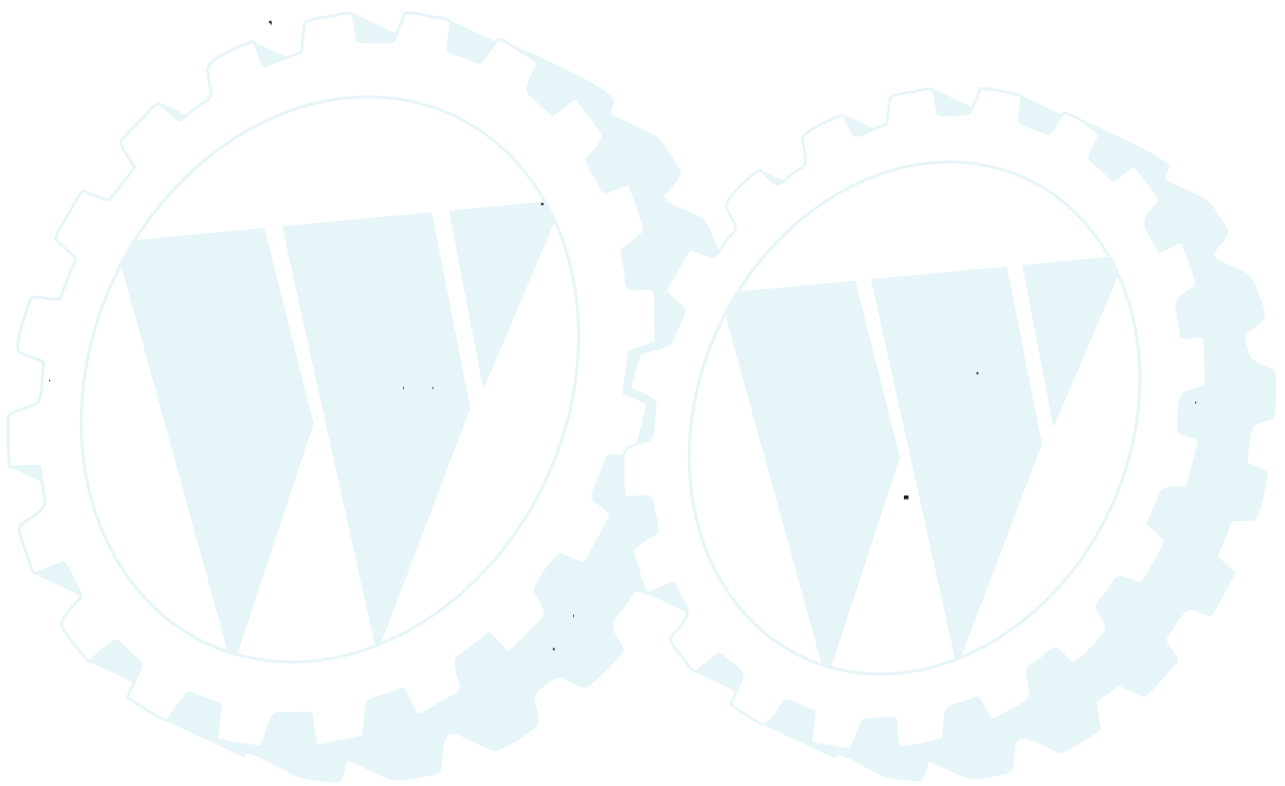


**ILLUSTRATED PARTS BREAKDOWN**

**PARTNER  
13 HP LAWN TRACTOR  
MODEL NO. 13-90E (P13TC90A)  
954 12 00-00**

*(P 130)*



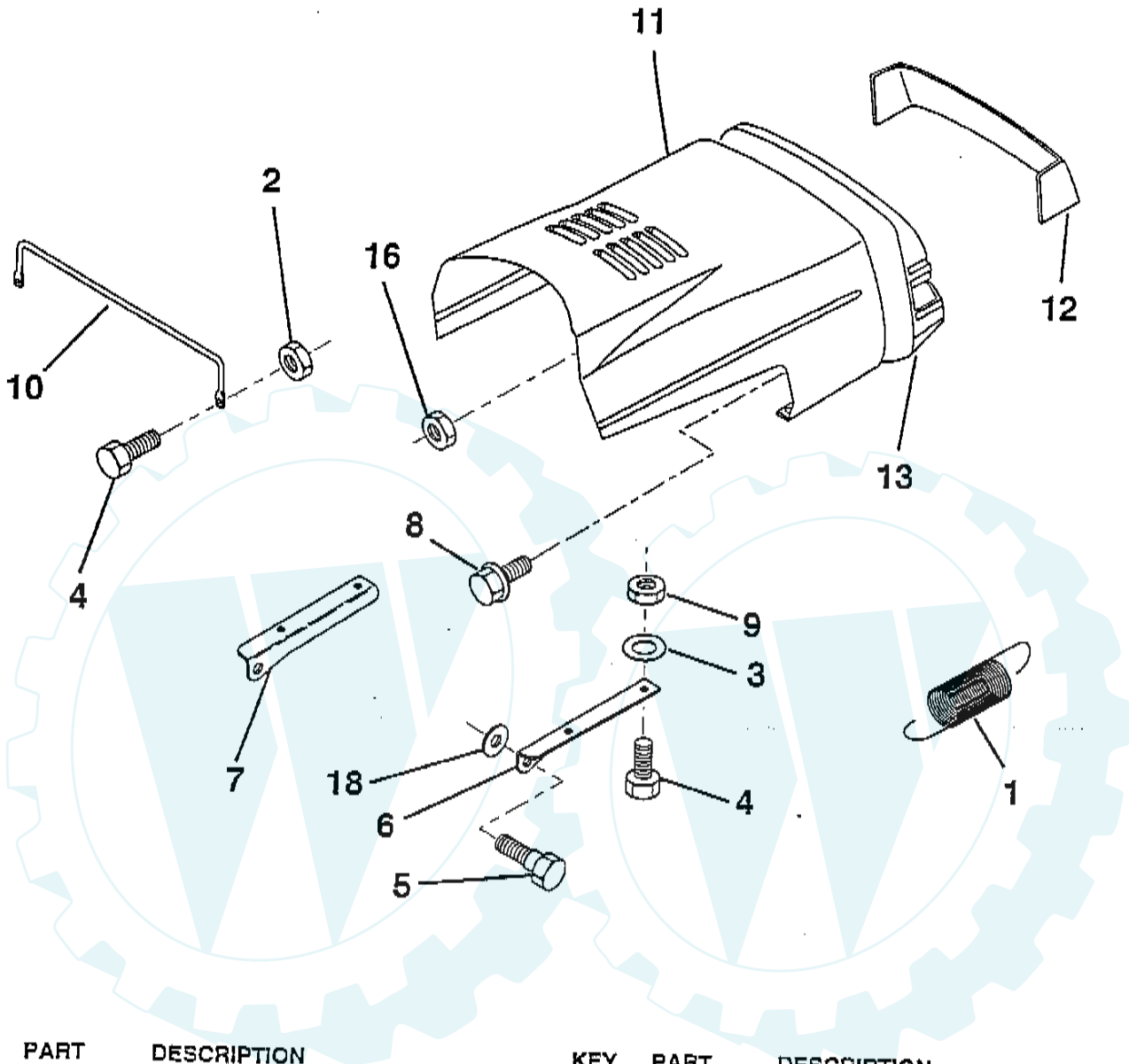
156782 09.16.96 JH  
Printed in U.S.A.

*P130*

# REPAIR PARTS

## TRACTOR - - MODEL NUMBER 13-90E (P13TC90A)

### HOOD



KEY NO.	PART NO.	DESCRIPTION
1	532124657	Extension, Spring
2	873640400	Nut, Hex, Keps 1/4-20
3	819091416	Washer, 9/32 x 7/8 x 16 Ga.
4	874780412	Bolt, Hex Fin. 1/4-20 x 3/4 Gr. 5
5	532139888	Bolt, Shoulder
6	532122549	Bracket, Hood R. H.
7	532122548	Bracket, Hood L.H.
8	817521312	Screw Sltd. Hex Hd. w/PL Washer

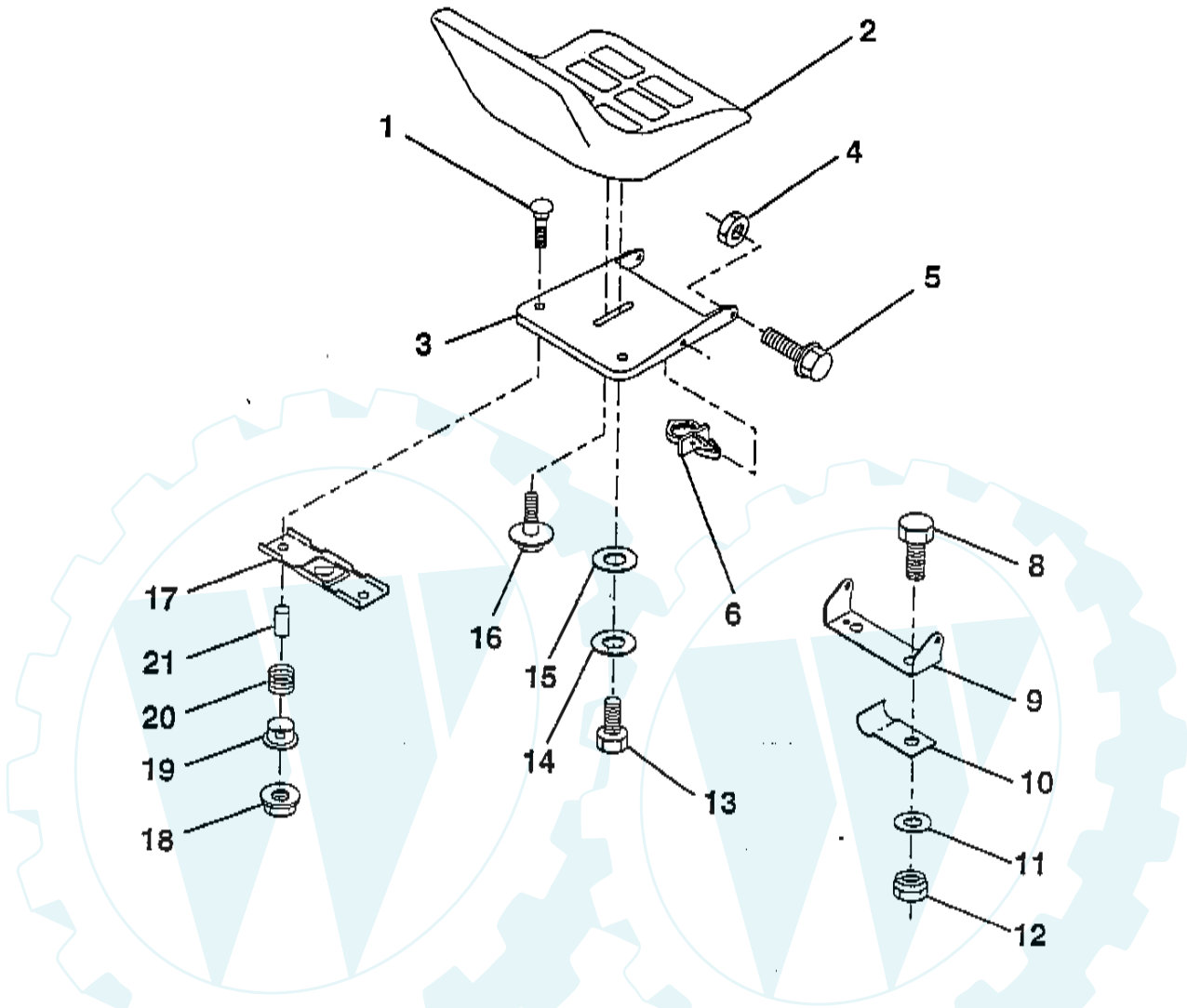
KEY NO.	PART NO.	DESCRIPTION
9	873800400	Nut Lock w/Insert 1/4-20 UNC
10	532123693	Brace, Hood
11	532144343	Hood
12	532140126	Lens, Plate, Grill
13	532140110	Grill
16	532124346	Nut, Self Thread, Washer Head 1/4
18	819111116	Washer 11/32 x 11/16 x 16 Ga.

HARDWARE SHOWN LARGER FOR EASIER IDENTIFICATION

# REPAIR PARTS

## TRACTOR -- MODEL NUMBER 13-90E (P13TC90A)

### SEAT



KEY NO.	PART NO.	DESCRIPTION
1	872050411	Bolt, Carriage 1/4-20 x 1-1/4
2	532140116	Seat
3	532155925	Pan, Seat
4	873800500	Nut, Crownlock 5/16-18
5	532153236	Bolt, Shoulder 5/16-18 UNC
6	532145006	Clip, Push-In
8	874760616	Bolt, Fin Hex 3/8-16 UNC x 1
9	532140551	Bracket, Pivot Seat
10	532126471	Clip, Insulator
11	819133210	Washer 12/32 x 2 x 10 Ga.

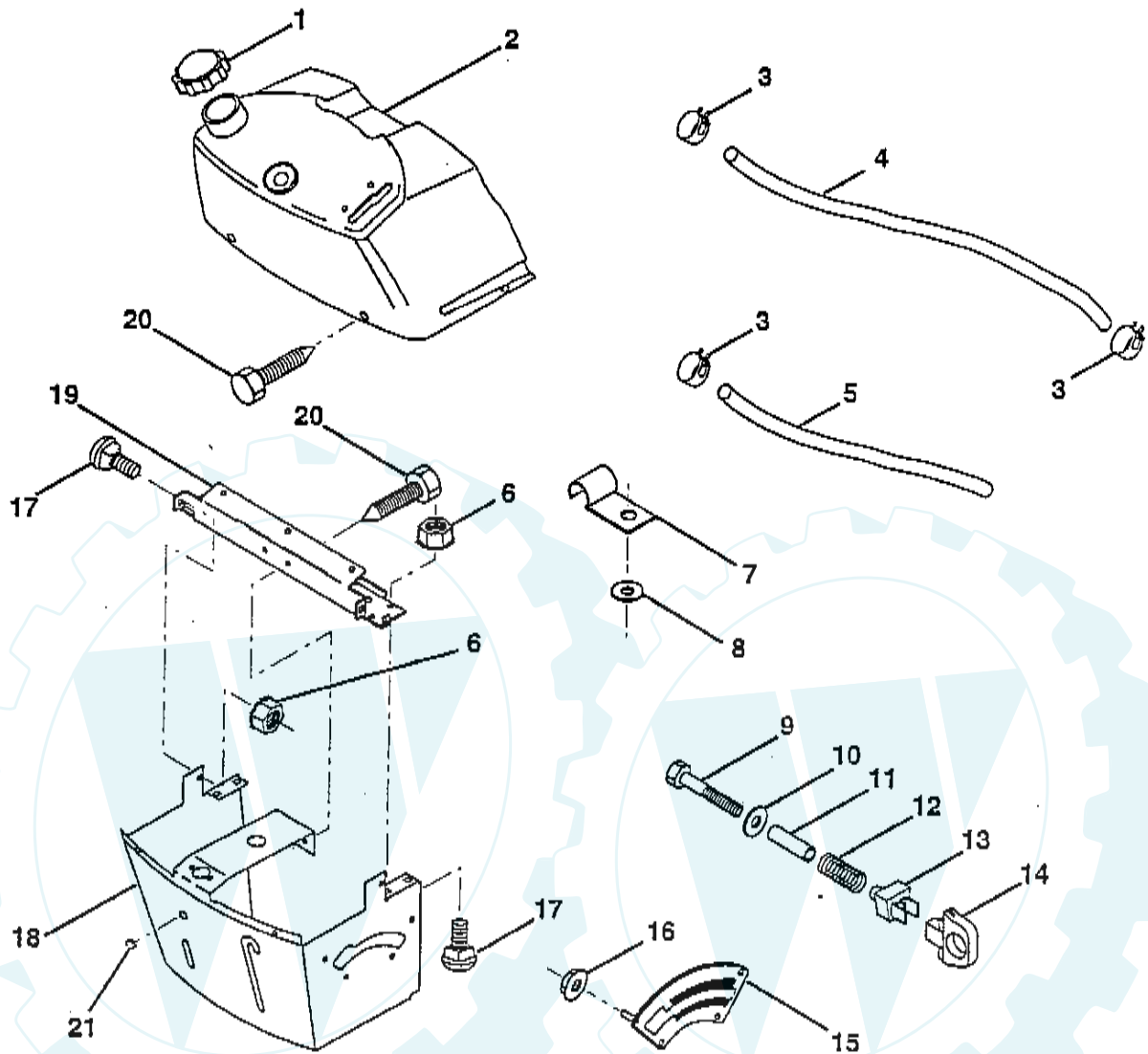
KEY NO.	PART NO.	DESCRIPTION
12	873800600	Nut, Crownlock 3/8-16 UNC
13	874780814	Bolt, Fin Hex 1/2-13 UNC x 7/8 Gr. 5
14	810040800	Washer, Lock Hvy Helical Spring
15	819171912	Washer, 17/32 x 1-3/16 x 12 Ga.
16	532127018	Bolt, Shoulder
17	532121246	Bracket, Switch, Mounting
18	532123976	Nut, Hex Large Flange Lock
19	532121248	Bushing, Snap
20	532121250	Spring, Compression
21	532134300	Spacer, Split 28 Id. x .88 Lg.

HARDWARE SHOWN LARGER FOR EASIER IDENTIFICATION

# REPAIR PARTS

## TRACTOR -- MODEL NUMBER 13-90E (P13TC90A)

DASH



KEY NO.	PART NO.	DESCRIPTION
1	532141523	Cap, Fuel
2	532138393	Assembly, Dash & Fuel Tank
3	532123487	Clamp, Hose
4	532008544	Line, Fuel
5	532008548	Line, Fuel
6	873640400	Nut, Hex, Keps 1/4-20
7	532124996	Clip, Fuel Line
8	819091216	Washer 9/32 x 3/4 x 16 Ga.
9	874760428	Bolt, Hex, Fin 1/4-20 x 1-3/4
10	819091413	Washer 11/32 x 11/16 x 16 Ga.
11	532121249	Spacer, Split

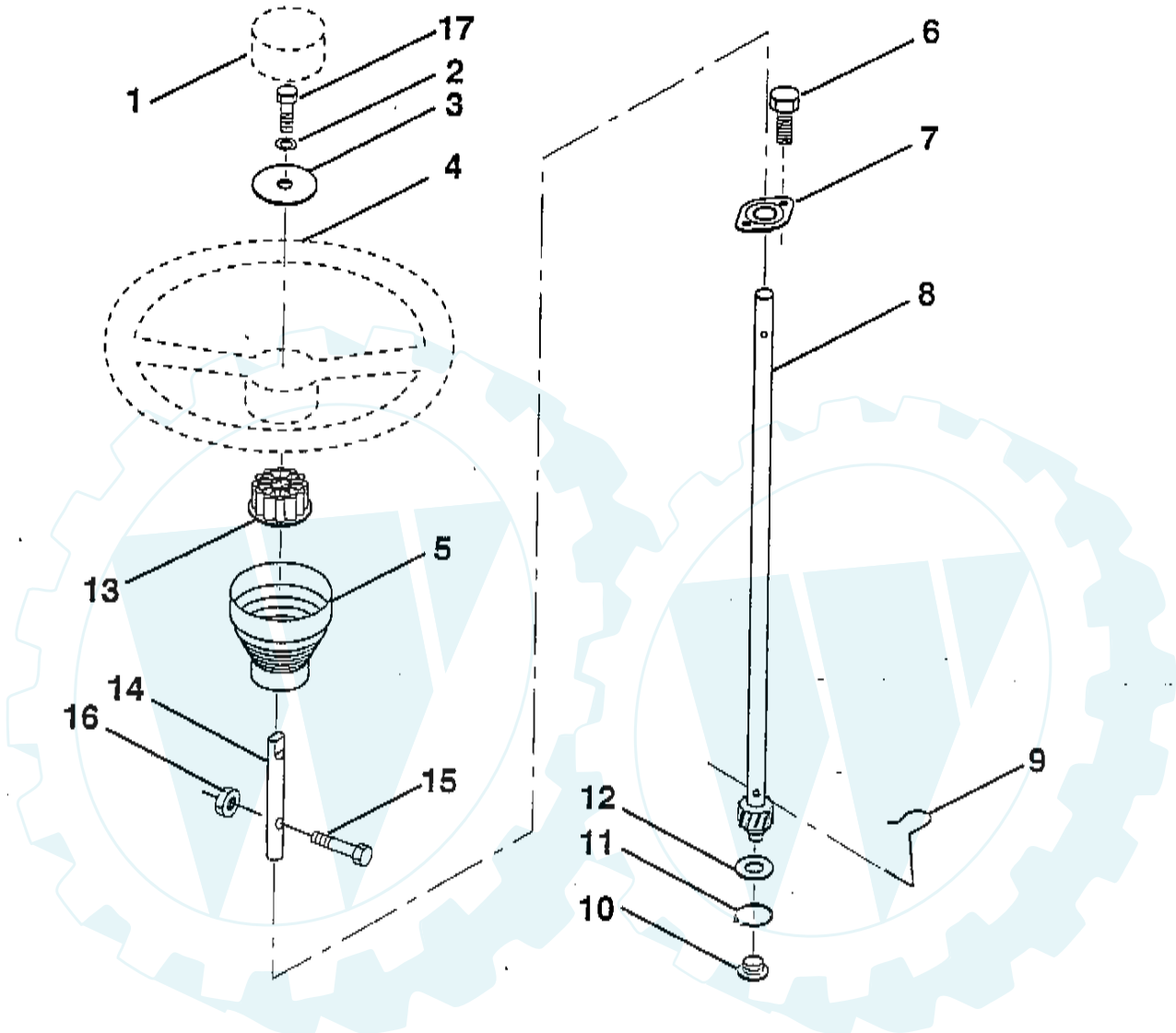
KEY NO.	PART NO.	DESCRIPTION
12	532003720	Spring
13	532126450	Clip, Height Adjustment
14	532126115	Knob, Height Stop
15	532122023	Adjustment, Quadrant Height
16	532124346	Nut, Self-Threading 3/16-18
17	872110404	Bolt, Carriage 1/4-20 x 1/2 Gr. 5
18	532130745	Support Assembly, Dash
19	532134744	Brace, Cross
20	817060408	Screw, Self-Tapping 1/4-20 x 1/2
21	532134014	Plug, Dome

HARDWARE SHOWN LARGER FOR EASIER IDENTIFICATION

# REPAIR PARTS

TRACTOR - - MODEL NUMBER 13-90E (P13TC90A)

## STEERING WHEEL



KEY NO.	PART NO.	DESCRIPTION
1	532140175	Insert, Wheel, Steering
2	810040600	Washer, Lock Hvy Hcl
3	819133808	Washer 12/32 x 2-3/8 x 8 Ga.
4	532139768	Wheel, Steering
5	532121897	Sleeve, Steering
6	532152927	Screw
7	532155104	Bushing, Steering
8	532147391	Shaft, Steering

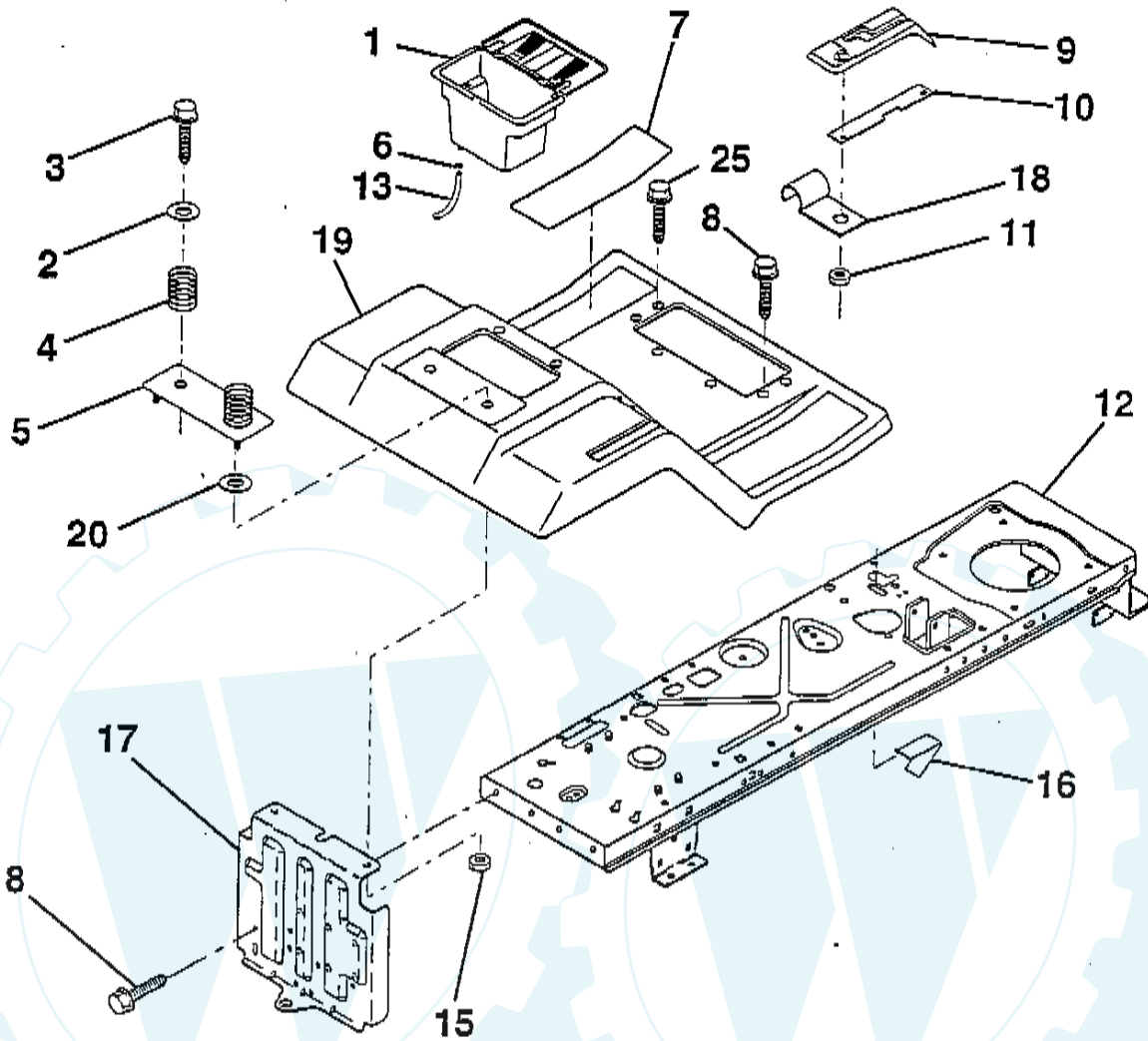
KEY NO.	PART NO.	DESCRIPTION
9	532124210	Clip, Steering
10	532123438	Bushing, Lower, Steering
11	812000045	Ring, Retaining
12	819211616	Washer 21/32 x 1 x 16 Ga.
13	532100711	Adaptor, Wheel, Steering
14	532153720	Extension, Shaft, Steering
15	874780520	Bolt, Fin., Hex 5/16-18 UNC x 1-1/4
16	873800500	Nut, Lock, Hex W/Ins. 5/16-18 UNC
17	874780616	Bolt, Fin Hex 3/8-16 UNC x 1

HARDWARE SHOWN LARGER FOR EASIER IDENTIFICATION

# REPAIR PARTS

TRACTOR - - MODEL NUMBER 13-90E (P13TC90A)

## FENDER / CHASSIS



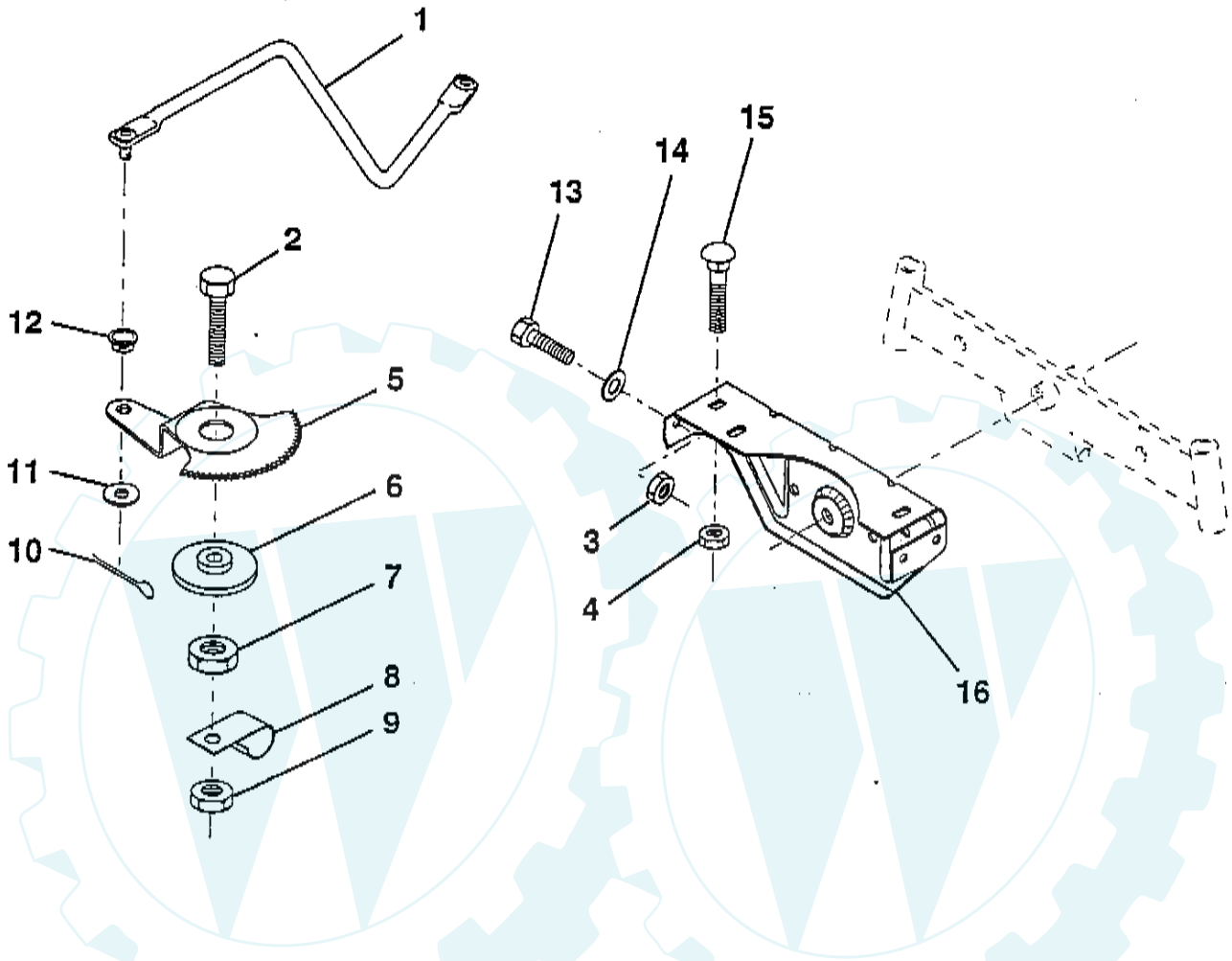
KEY NO.	PART NO.	DESCRIPTION	KEY NO.	PART NO.	DESCRIPTION
1	532156417	Case, Battery	11	532124346	Nut, Self-Threading, Washer Head 3/16
2	819132012	Washer 13/32 x 1-1/4 x 12 Ga.	12	532145190	Assembly, Frame
3	817490612	Screw, Hex Wsh. Thrdol. 3/8-16 x 3/4	13	532109238	Tube, Battery Drain
4	532124181	Spring, Compression, Seat	15	873640400	Nut Keps Blk Hex 1/4-20 Unc
5	532125139	Plate, Asm. Battery	16	532141736	Switch Actuator
6	532109596	Clamp, Hose	17	532140782	Drawbar
7	532124144	Pad, Footrest	18	532126470	Clip, Insulated
8	817490512	Screw, Hex Wsh. Thrdol. 5/16-18 x 3/4	19	532141266	Fender/Footrest
9	532126997	Console, Shift Control	20	819091413	Washer 9/32 x 7/8 x 13 Ga.
10	532139783	Bar, Shift Lock	25	817190516	Screw, Hex S.T. Thdrl. 5/16-18 x 1

HARDWARE SHOWN LARGER FOR EASIER IDENTIFICATION

# REPAIR PARTS

TRACTOR - - MODEL NUMBER 13-90E (P13TC90A)

## SECTOR GEAR / AXLE SUPPORT



KEY NO.	PART NO.	DESCRIPTION
1	532132566	Link, Drag
2	874780828	Bolt, Fin Hex 1/2-13 x 1-3/4
3	873680500	Nut, Crownlock 5/16-18
4	873680600	Nut, Crownlock 3/8-16
5	532121926	Gear, Sector
6	532121927	Bushing
7	873030800	Nut, Heavy Hex Top Lock 1/2-13 UNC
8	532126472	Clip, Insulated

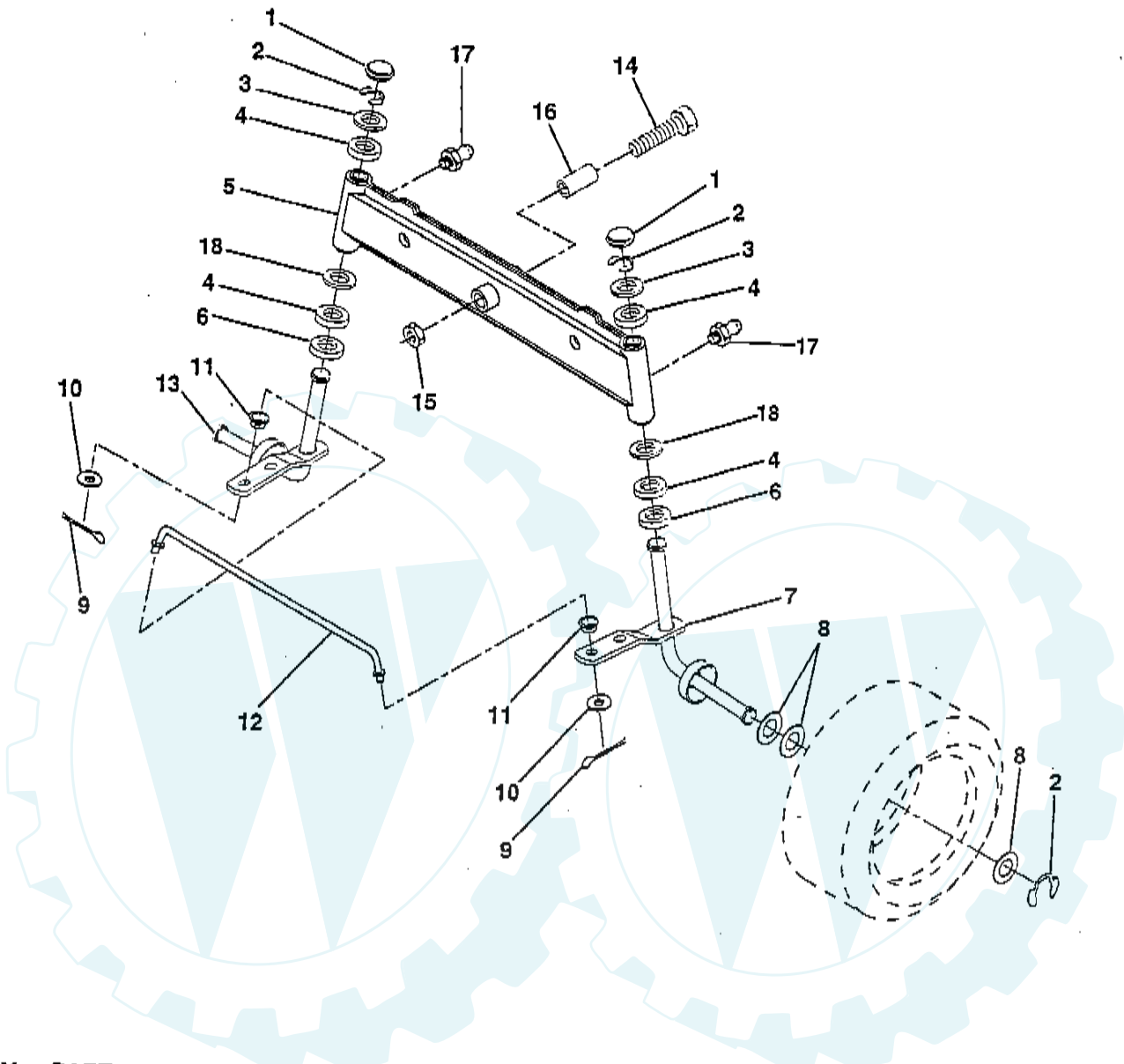
KEY NO.	PART NO.	DESCRIPTION
9	873680800	Nut, Crownlock 3/8-16
10	876020412	Pin, Cotter 1/8 x 3/4
11	819131316	Washer, 13/32 x 13/16 x 16 Ga.
12	532126847	Bushing
13	874760512	Bolt, Hex Hd. 5/16-18 UNC x 3/4
14	819111416	Washer 11/32 x 7/8 x 16 Ga.
15	872110606	Bolt, Carriage 3/8-16 UNC x 3/4
16	532137096	Support, Front Axle

HARDWARE SHOWN LARGER FOR EASIER IDENTIFICATION

# REPAIR PARTS

## TRACTOR -- MODEL NUMBER 13-90E (P13TC90A)

### FRONT AXLE



KEY NO.	PART NO.	DESCRIPTION	KEY NO.	PART NO.	DESCRIPTION
1	532121232	Cap, Spindle	10	819131316	Washer 13/32 x 13/16 x 16 Ga.
2	812000029	Ring, Clip	11	532126847	Bushing
3	532121748	Washer 25/32 x 1-5/8 x 16 Ga.	12	532130465	Rod, Tie
4	532124937	Bearing Col. Strg.	13	532137061	Spindle, L.H. Asm.
5	532142033	Axle, Front	14	874011056	Bolt Hex 5/8-11 UNC x 3-1/2
6	532124931	Bearing, Thrust	15	873901000	Nut Lock Flange 5/8-11
7	532137062	Spindle, R.H. Asm.	16	532110438	Spacer Bearing Axle
8	532121749	Washer 25/32 x 1-1/4 x 16 Ga.	17	532124836	Fitting Grease
9	876020412	Pin, Cotter 1/8 x 3/4	18	819272016	Washer 27/32 x 1-1/4 x 16 Ga.

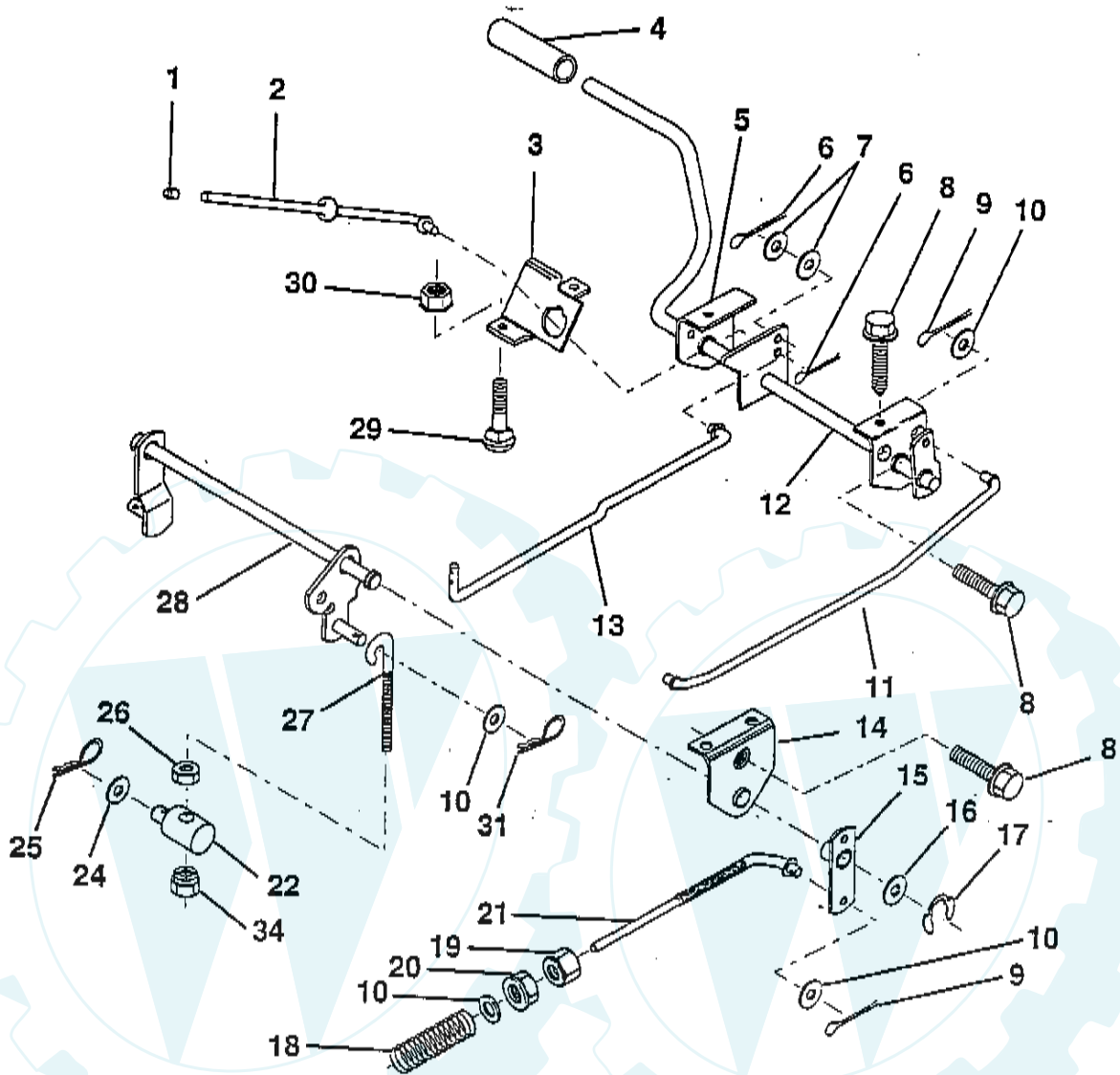
HARDWARE SHOWN LARGER FOR EASIER IDENTIFICATION



# REPAIR PARTS

## TRACTOR - - MODEL NUMBER 13-90E (P13TC90A)

### BRAKE / REAR MOWER LIFT ASSEMBLY



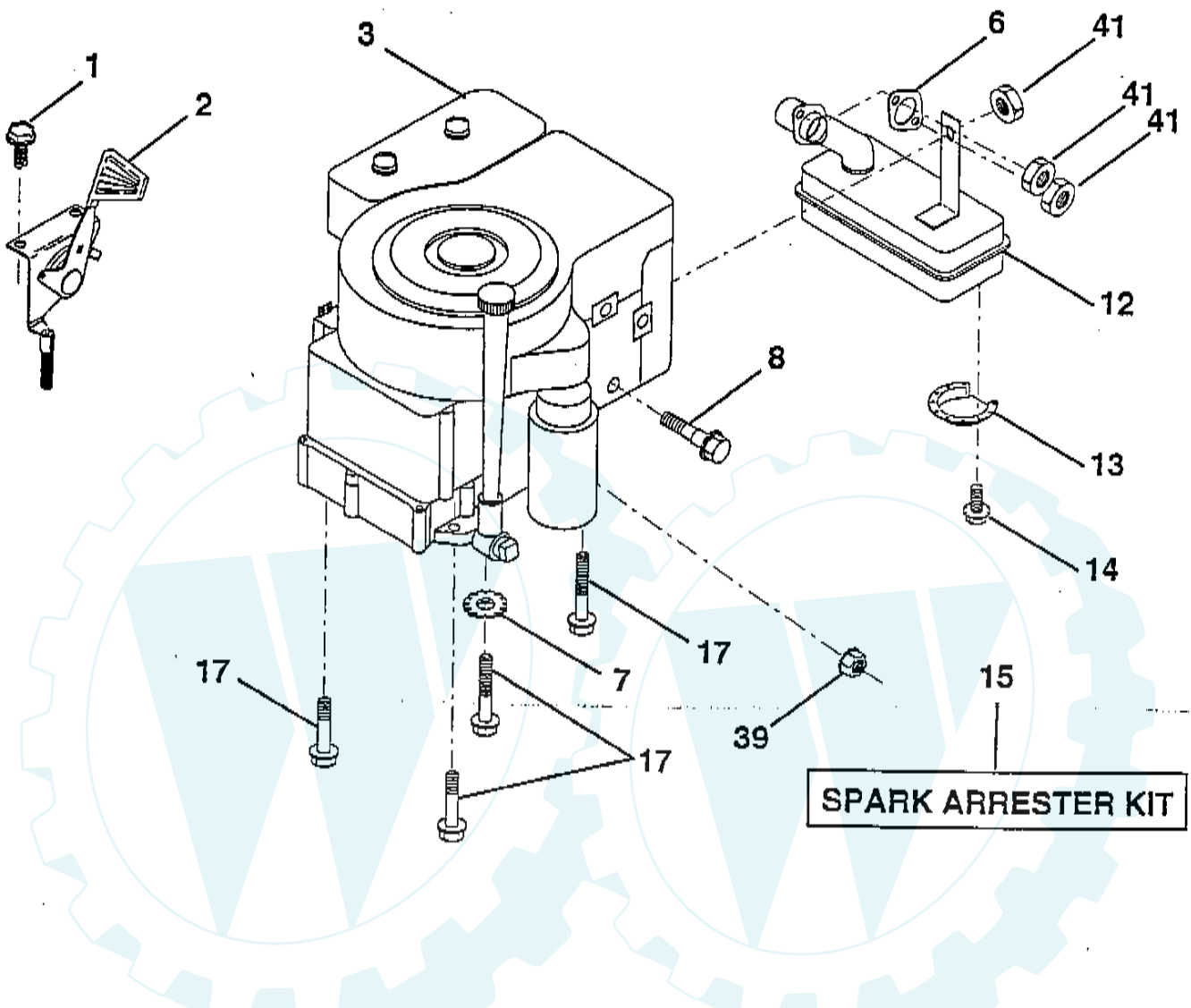
KEY NO.	PART NO.	DESCRIPTION	KEY NO.	PART NO.	DESCRIPTION
1	532071673	Cap, Plunger	16	819251816	Washer 25/32 x 1-1/8 x 16 Ga.
2	532123436	Rod, Parking Brake	17	812000034	Ring, Klip
3	532123437	Bracket, Parking Brake	18	532151332	Spring, Brake Rod
4	532008156	Cover, Pedal	19	873350600	Nut, Hex, Jam 3/8-16 UNC
5	532122504	Bracket, Clutch Pedal, LH	20	873680600	Nut, Lock, Hex W/Ins. 3/8-16 UNC
6	876020312	Pin, Cotter 3/32 x 3/4	21	532131460	Rod, Rear Brake
7	819131016	Washer 13/32 x 5/8 x 16 Ga.	22	532144585	Trunnion, Lift
8	817490508	Screw, Hex, Thd. Roll. 5/16-18 x 1/2	24	819132012	Washer 13/32 x 1-1/4 x 12 Ga.
9	876020412	Pin, Cotter 1/8 x 3/4	25	532124961	Spring, Retainer
10	819131316	Washer 13/32 x 13/16 x 16 Ga.	26	873930600	Nut, Centerlock 3/8-16 UNC
11	532123543	Rod, Brake Front	27	532127369	Link, Threaded
12	532139933	Assembly, Clutch/Brake Pedal	28	532140776	Assembly, Rear Mower Lift
13	532123394	Rod, Clutch	29	872110506	Bolt, Carriage 5/16-18 UNC x 3/4
14	532121978	Bracket, Lift, Shaft	30	873510500	Nut, Keps 5/16-16 UNC
15	532133332	Assembly, Brake, Pivot, Arm	31	532124660	Retainer, Spring
			34	873680600	Nut, Crownlock 3/8-16 UNC

HARDWARE SHOWN LARGER FOR EASIER IDENTIFICATION

# REPAIR PARTS

TRACTOR - - MODEL NUMBER 13-90E (P13TC90A)

ENGINE / THROTTLE



**SPARK ARRESTER KIT**

KEY NO.	PART NO.	DESCRIPTION
1	817060408	Screw, Hex Thd. Cut 1/4-20 x 1/2
2	532132752	Control, Throttle
3	-----	Engine, Tec. OHV 13
6	532272293	Gasket, Exhaust
7	811050600	Washer, Lock Ext. Tooth 3/8
8	532081328	Bolt, Shoulder 5/16
12	532156448	Muffler
13	532101326	Deflector, Mower

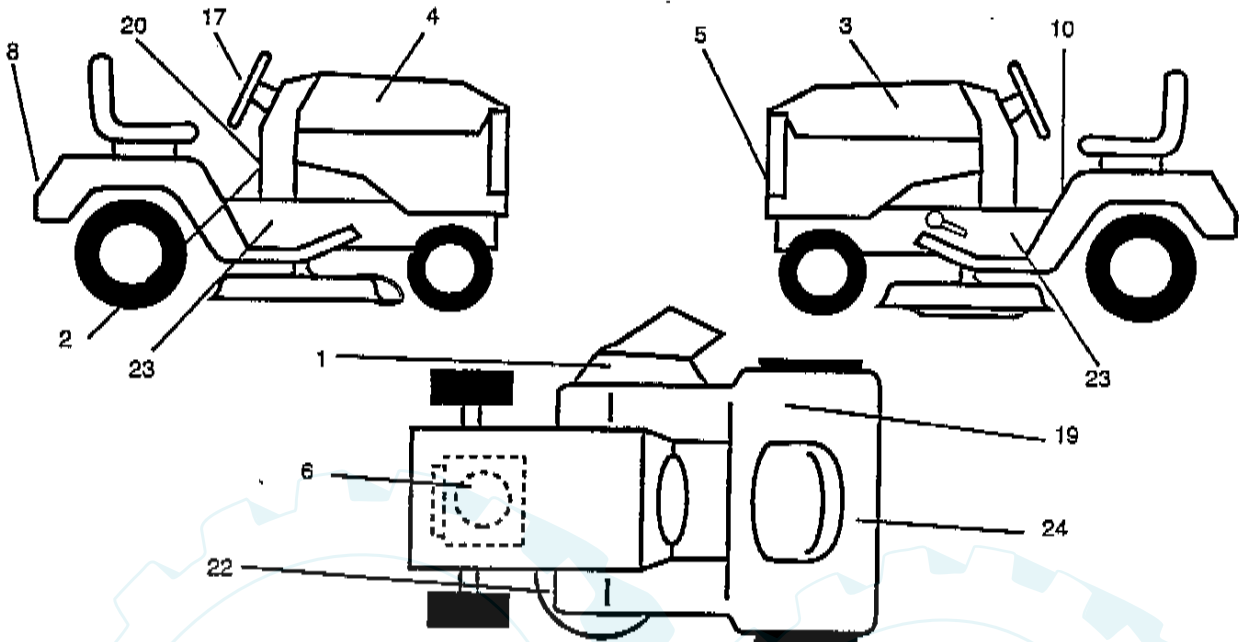
KEY NO.	PART NO.	DESCRIPTION
14	817030808	Screw, Spiderloc
15	532137180	Arrester, Spark (Optional equipment)
17	817490624	Screw, Hex Wsh Hd Thdrol 3/8-16 x 1-1/2
39	532128861	Nut, Flange 1/4-20
41	873900500	Nut Lock Hex Flange 5/16-18

HARDWARE SHOWN LARGER FOR EASIER IDENTIFICATION

# REPAIR PARTS

## TRACTOR -- MODEL NUMBER 13-90E (P13TC90A)

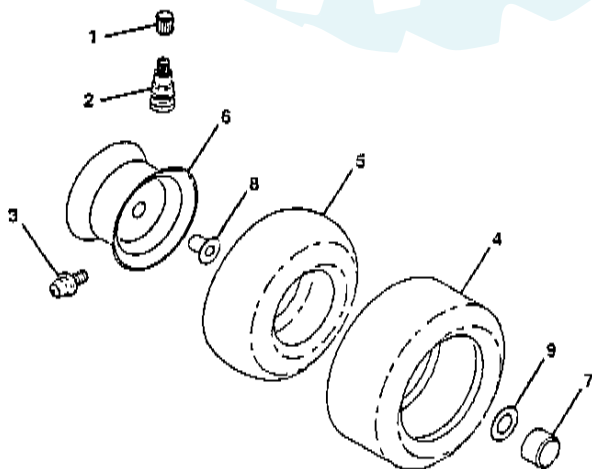
### DECALS



KEY NO.	PART NO.	DESCRIPTION
1	532145494	Decal, Cutfinger
2	532145437	Decal, Europ. Stand. CE Tractors
3	532157876	Decal, Hood, L. H.
4	532157875	Decal, Hood, R. H.
5	532140951	Decal, Grill
6	532156953	Decal, Tec Engine HP
8	532140987	Decal, Fender
10	532145498	Decal, Read, Owners Manual Syms
17	532146998	Decal, Steering Wheel
19	532126187	Decal DBA

KEY NO.	PART NO.	DESCRIPTION
20	532145545	Decal, Operating, Inst. Symbols
22	532136830	Decal, V-Belt Sch.
23	532137588	Decal, Chas. Turbo
24	532146451	Decal, Bat. Dan/Poi
--	532138311	Decal, Handle, Lift
--	532157023	Manual, Operator's (Scan.)
--	532157022	Manual, Operator's (Euro.)
Available accessories not included with tractor:		
--	C36	Grass Catcher
--	MK360	Mulch Kit
--	MP36	Mulch Plate

### WHEELS & TIRES

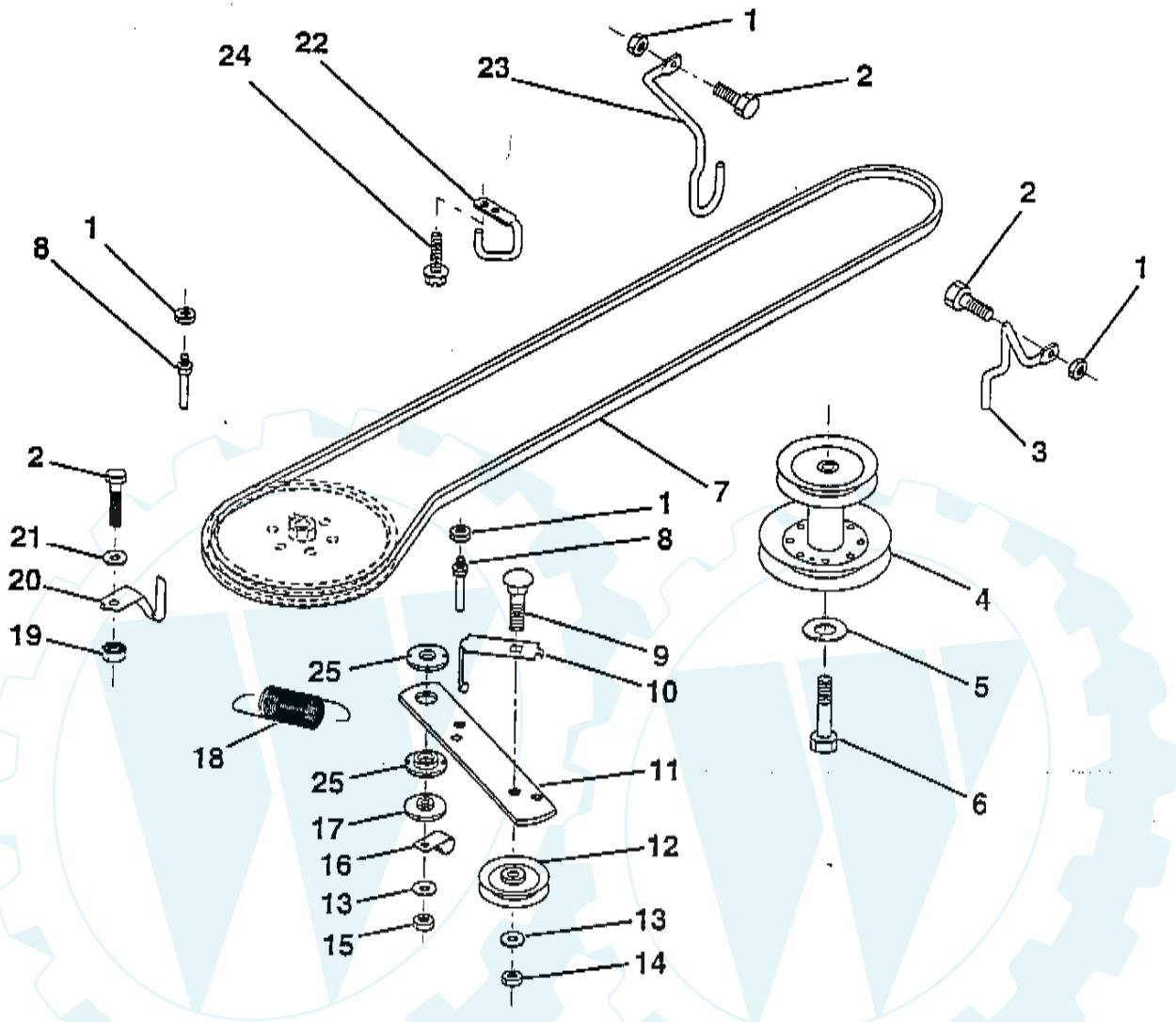


KEY NO.	PART NO.	DESCRIPTION
1	532059192	Cap, Valve
2	532065139	Stem, Valve
3	532124957	Fitting, Grease (Front Wheels Only)
4	532137422	Tire, Front
4	532132703	Tire, Rear
5	532059904	Tube, Front (Optional Service Item Only)
5	532008134	Tube, Rear (Optional Service Item Only)
6	532141472	Rim, Front
6	532141268	Rim, Rear
7	532104757	Cap, Axle
8	532124959	Bearing, Flange
9	532121748	Washer 25/32 x 1-5/8 x 16 Ga.
--	532144334	Sealant, Tire (10 oz. Tube)

# REPAIR PARTS

TRACTOR - - MODEL NUMBER 13-90E (P13TC90A)

## GROUND DRIVE



KEY NO.	PART NO.	DESCRIPTION
1	873680500	Nut, Crownlock 5/16-18
2	874760512	Bolt, Hex Hd 5/16-18 UNC x 3/4
3	532141342	Keeper, Mower Drive, R. H.
4	532138029	Pulley, Engine
5	810040700	Washer, Lock 7/16
6	871170744	Bolt, Fin. Hex 7/16-20
7	532126520	Traction, V-Belt Drive
8	532123405	Keeper, T/A Ground Drive Belt
9	872140612	Bolt, Carr. 3/8-16 UNC x 1-1/2
10	532123396	Keeper, Belt Ground Drive Idler
11	532150926	Arm, Ground Drive Clutch
12	532123674	Idler, Flat
13	819131316	Washer 13/32 x 13/16 x 16 Ga.

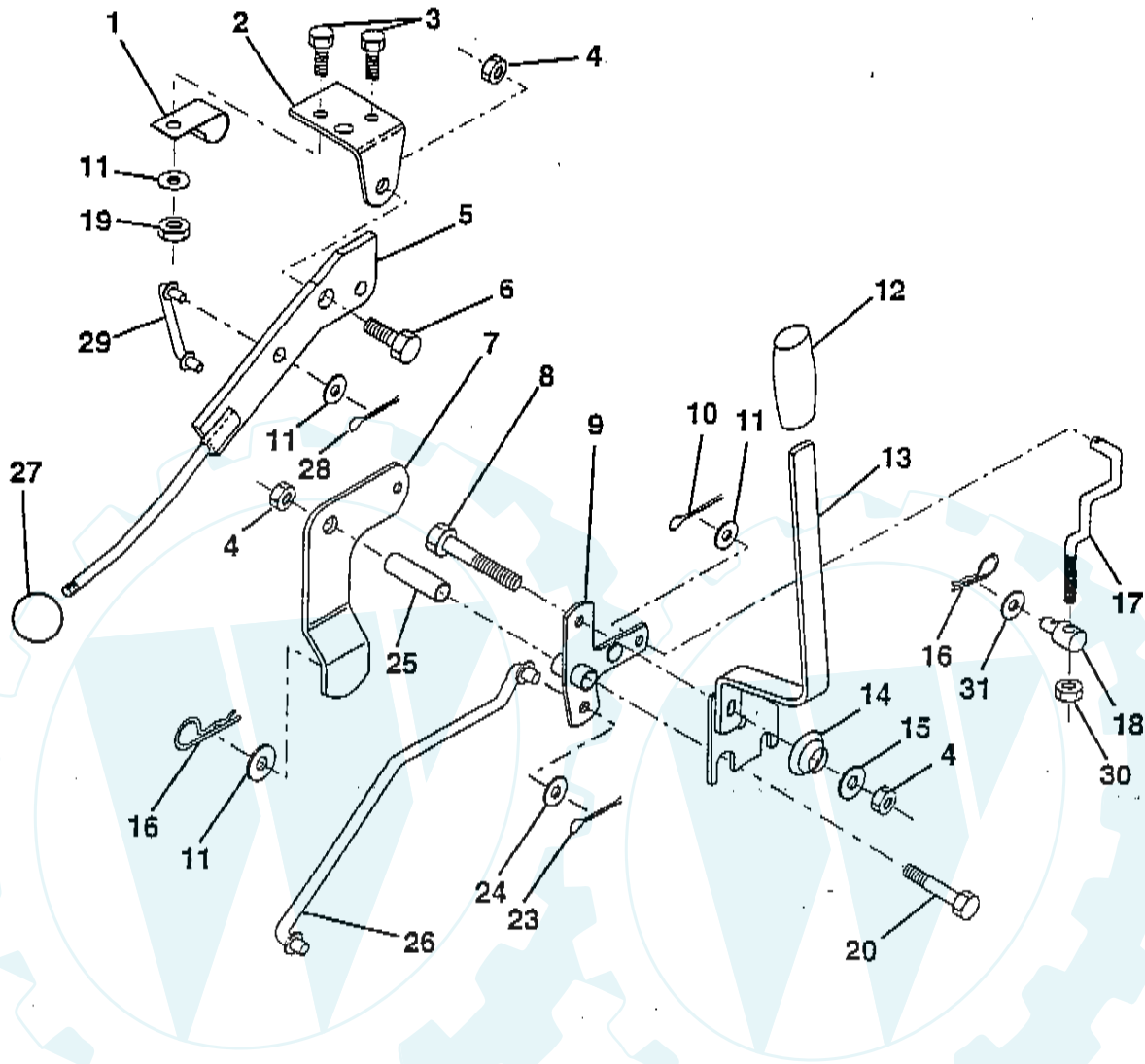
KEY NO.	PART NO.	DESCRIPTION
14	873930600	Nut, Centerlock 3/8-16 UNC
15	873680600	Nut, Crownlock 3/8-16 UNC
16	532126471	Clip, Insulated
17	532150932	Spacer, Retainer
18	532131459	Spring Extension
19	873510500	Nut, Keps 5/16-18 UNC
20	532139919	Keeper, T/A Ground Drive Belt
21	819111016	Washer 11/32 x 5/8 x 16 Ga.
22	532123404	Keeper, Frame Ground Drive Belt
23	532140916	Keeper, Mower Drive, L. H.
24	817720408	Screw, Thd. Cut 1/4-20 x 1/2
25	532150935	Bushing, Nylon

HARDWARE SHOWN LARGER FOR EASIER IDENTIFICATION

# REPAIR PARTS

TRACTOR - - MODEL NUMBER 13-90E (P13TC90A)

## MOWER LIFT LEVER



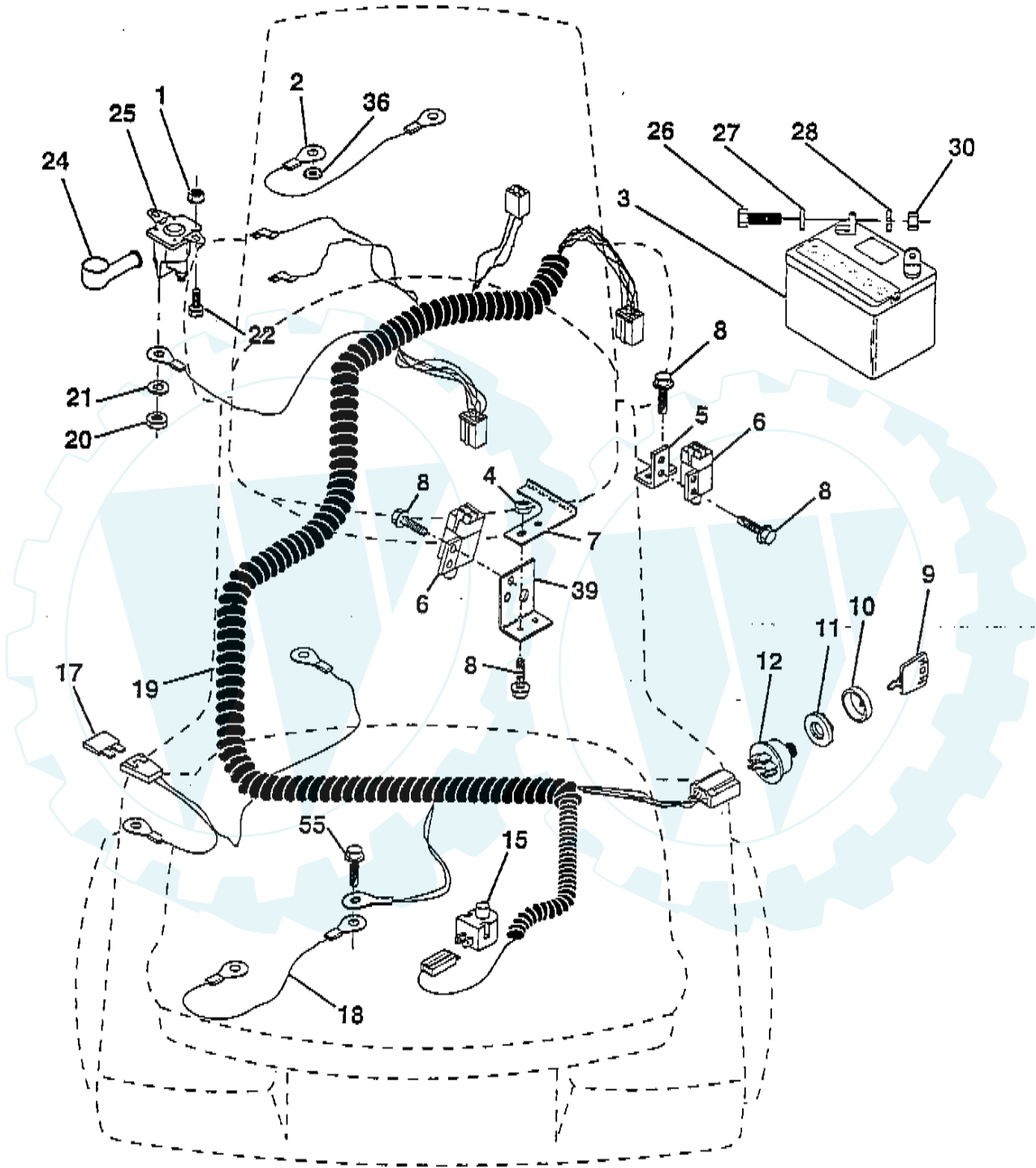
KEY NO.	PART NO.	DESCRIPTION	KEY NO.	PART NO.	DESCRIPTION
1	532126470	Clip, Insulated	15	819131212	Washer 13/32 x 3/4 x 12 Ga.
2	532122018	Bracket, Mower Clutch	16	532124961	Retainer, Spring
3	871110408	Bolt, Fin. Hex	17	532127359	Link, Front Lift
4	873680600	Nut, Crownlock 3/8-16 UNC	18	532142028	Trunnion, Threaded 3/8-16
5	532145187	Assembly, Clutch Lever	19	873680400	Nut, Crownlock 1/4-20
6	532106451	Bolt, Shoulder	20	874760644	Bolt, Fin. Hex
7	532135371	Assembly, Mower Clutch Arm			3/8-16 UNC x 2-3/4
8	874760636	Bolt, Hex 3/8-16 UNC x 2-1/4	23	876020416	Pin, Cotter 1/8 x 1
9	532121930	Assembly, Bracket Lift	24	819171612	Washer 17/32 x 1 x 12 Ga.
10	876020412	Pin, Cotter 1/8 x 3/4	25	532121933	Tube, Spacer
11	819131316	Washer 13/32 x 13/16 x 16 Ga.	26	532141470	Rod, Mower Lift
12	532131861	Grip, Handle	27	532106932	Knob
13	532139352	Assembly, Lift Handle	28	876020312	Pin, Cotter 3/32 x 3/4
14	532123496	Spring, Compression	29	532131655	Link, Mower Clutch
			30	873350600	Nut Hex Jam 3/8-16 UNC
			31	819132012	Washer 13/32 x 1-1/4 x 12 Ga.

HARDWARE SHOWN LARGER FOR EASIER IDENTIFICATION

# REPAIR PARTS

TRACTOR -- MODEL NUMBER 13-90E (P13TC90A)

## ELECTRICAL



# REPAIR PARTS

TRACTOR - - MODEL NUMBER 13-90E (P13TC90A)

## ELECTRICAL

KEY NO.	PART NO.	DESCRIPTION
1	873640400	Nut, Hex Keps 1/4-20
2	532004560	Assembly, Cable
3	532146138	Battery
4	532069180	Nut, Lock #10-24 UNC
5	532108236	Bracket, Switch
6	532109553	Switch, Interlock
7	532146374	keeper, Actuator
8	817021008	Screw, Tap Hex Hd.
9	532140401	Key, Molded
10	532141226	Cover, Key Ignition
11	532140400	Nut, Ignition
12	532144921	Switch, Ignition
15	532121305	Switch, Plunger
17	532108824	Fuse
18	532128353	Assembly, Cable
19	532146063	Harness, Ignition
20	873350400	Nut, Hex Jam 1/4-20
21	810090400	Washer, Lock 1/4
22	871110408	Bolt, Fin Hex 1/4-20 UNC x 1/2
24	532131563	Cover, Terminal
25	532145673	Solenoid
26	874760412	Bolt, Hex Hd. 1/4-20 UNC x 3/4
27	819091016	Washer 9/32 x 5/8 x 16
28	810040400	Washer, Lock 1/4
30	873220400	Nut, Fin Hex 1/4-20 UNC
36	811150400	Washer Lock 1/4 Ext.
39	532141735	Bracket, Switch Clutch
55	817490508	Screw, Thdrol 5/16-18 x 1/2

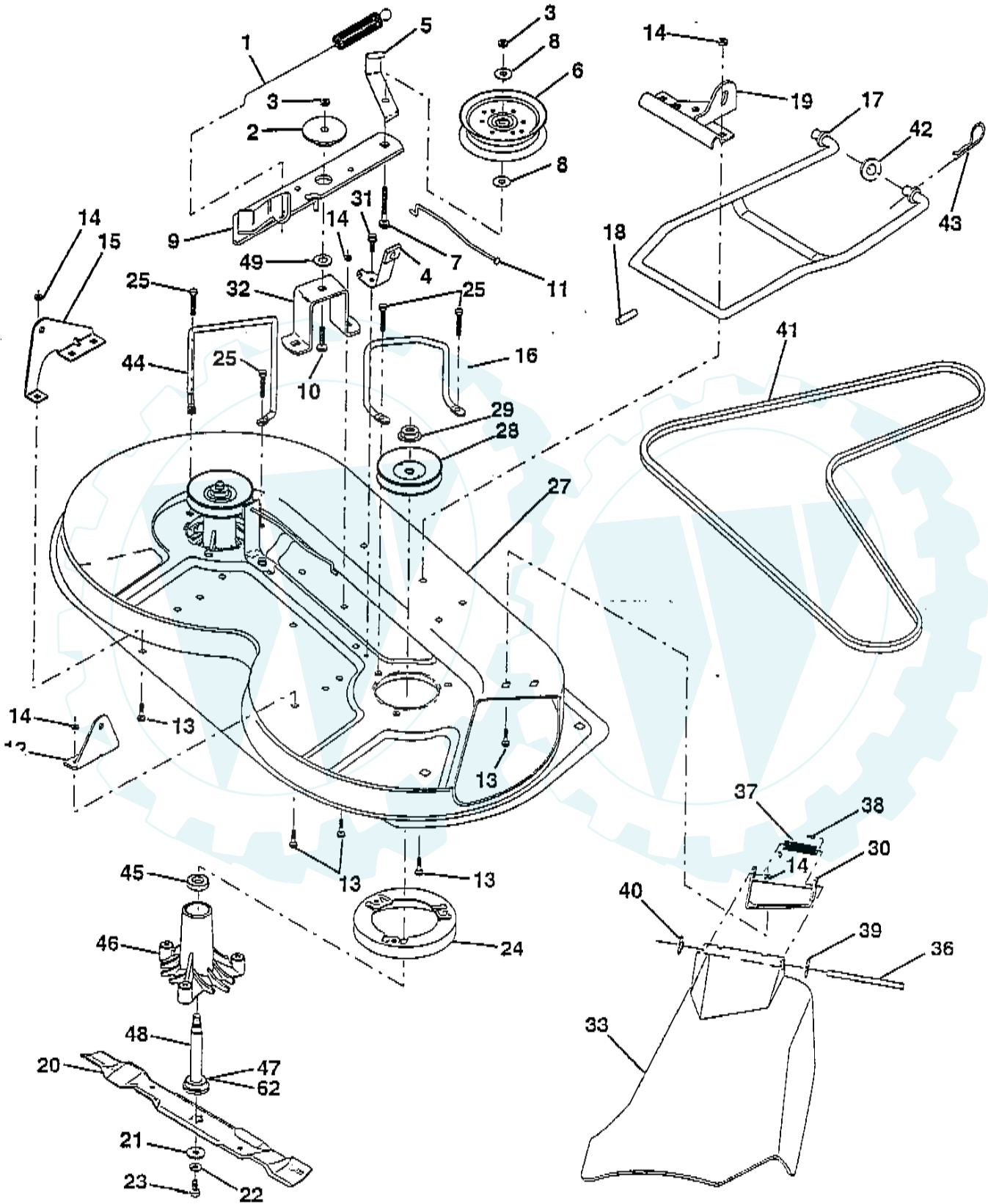
HARDWARE SHOWN LARGER FOR EASIER IDENTIFICATION



# REPAIR PARTS

## TRACTOR -- MODEL NUMBER 13-90E (P13TC90A)

### MOWER DECK





# REPAIR PARTS

## TRACTOR -- MODEL NUMBER 13-90E (P13TC90A)

### MOWER DECK

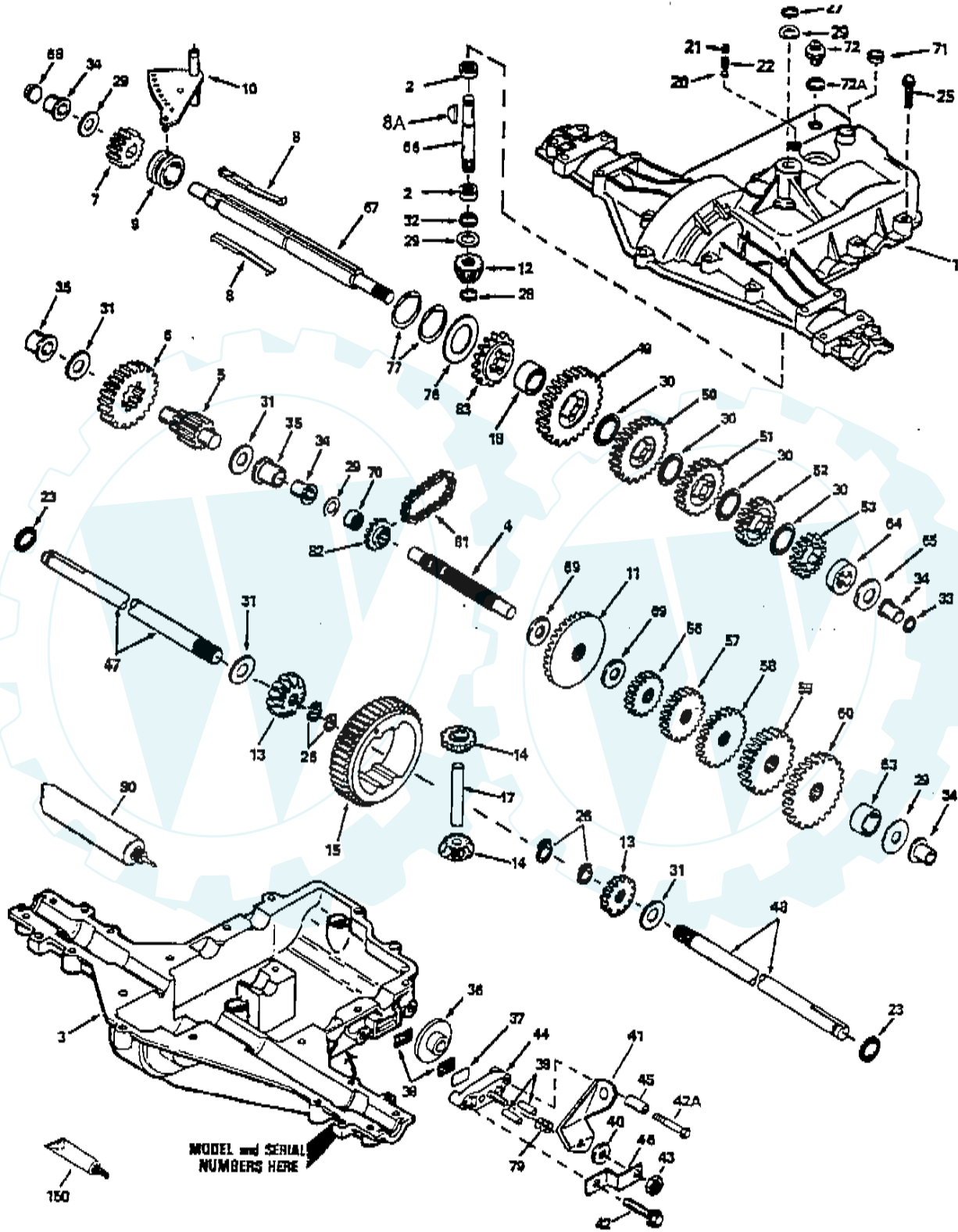
KEY NO.	PART NO.	DESCRIPTION	KEY NO.	PART NO.	DESCRIPTION
1	532140064	Spring, Mower Clutch	28	532153531	Pulley, Mandrel
2	532122052	Spacer, Retainer	29	532137266	Nut, Flangelock 9/16
3	873680600	Nut, Crownlock	30	532136631	Bracket, Asm. Deflector
4	532130840	Brake Asm.	31	817490508	Screw, Hex Wsh. Thdrol. 5/16-18 x 1/2
5	532131251	Guide, Belt Idler	32	532122051	Arm, Support Idler Mower
6	532121316	Pulley, Fiat Idler	33	532131560	Deflector
7	872110616	Bolt, Carr. 3/8-16 x 2 Gr. 5	36	532121980	Rod, Hinge
8	819131410	Washer 13/21 x 7/8 x 10 Ga.	37	532123713	Spring, Torsion Deflector
9	532127744	Arm Asm., Idler Mower	38	532105304	Cap, Sleeve
10	872140610	Bolt, Carriage 3/8-16 x 1-1/4	39	819111016	Washer 11/32 x 5/8 x 16 Ga.
11	532130841	Rod, Brake	40	532110452	Pushnut
12	532127356	Bracket, Lift R.H. Rear	41	532131264	V-Belt
13	872140506	Bolt, Carriage 5/16-18 x 3/4	42	819171616	Washer 11/32 x 5/8 x 16 Ga.
14	873680500	Nut, Crownlock 5/16-18	43	532124660	Retainer, Spring
15	532127357	Bracket, Lift L.H. Rear	44	532140608	Keeper, L.H.
16	532153298	Keeper, R.H.	45	532110485	Bearing
17	532128508	Link, Asm. Mower Stabilizer	46	532128774	Housing, Mandrel
18	532128511	Pin, Drive	47	532129895	Bearing
19	532127380	Bracket, Asm. Front	48	532137645	Shaft, Asm. Mandrel (Incl. Key #47)
20	532138496	Blade	49	532133943	Washer Hardened
21	532140296	Washer, Hard	62	532153390	Washer Felt
22	810030600	Washer, Lock 3/8	--	532130794	Mandrel Asm. (Includes Key Nos. 21-23, 26, 29 and 45-48)
23	532850857	Bolt 3/8-24 x 1-1/4 Gr. 8	--	532156866	Deck, Service Complete
24	532140329	Stripper			
25	532138776	Screw Thdrol. Hex Head			
27	532156600	Deck Assembly			

HARDWARE SHOWN LARGER FOR EASIER IDENTIFICATION

# REPAIR PARTS

TRACTOR - - MODEL NUMBER 13-90E (P13TC90A)

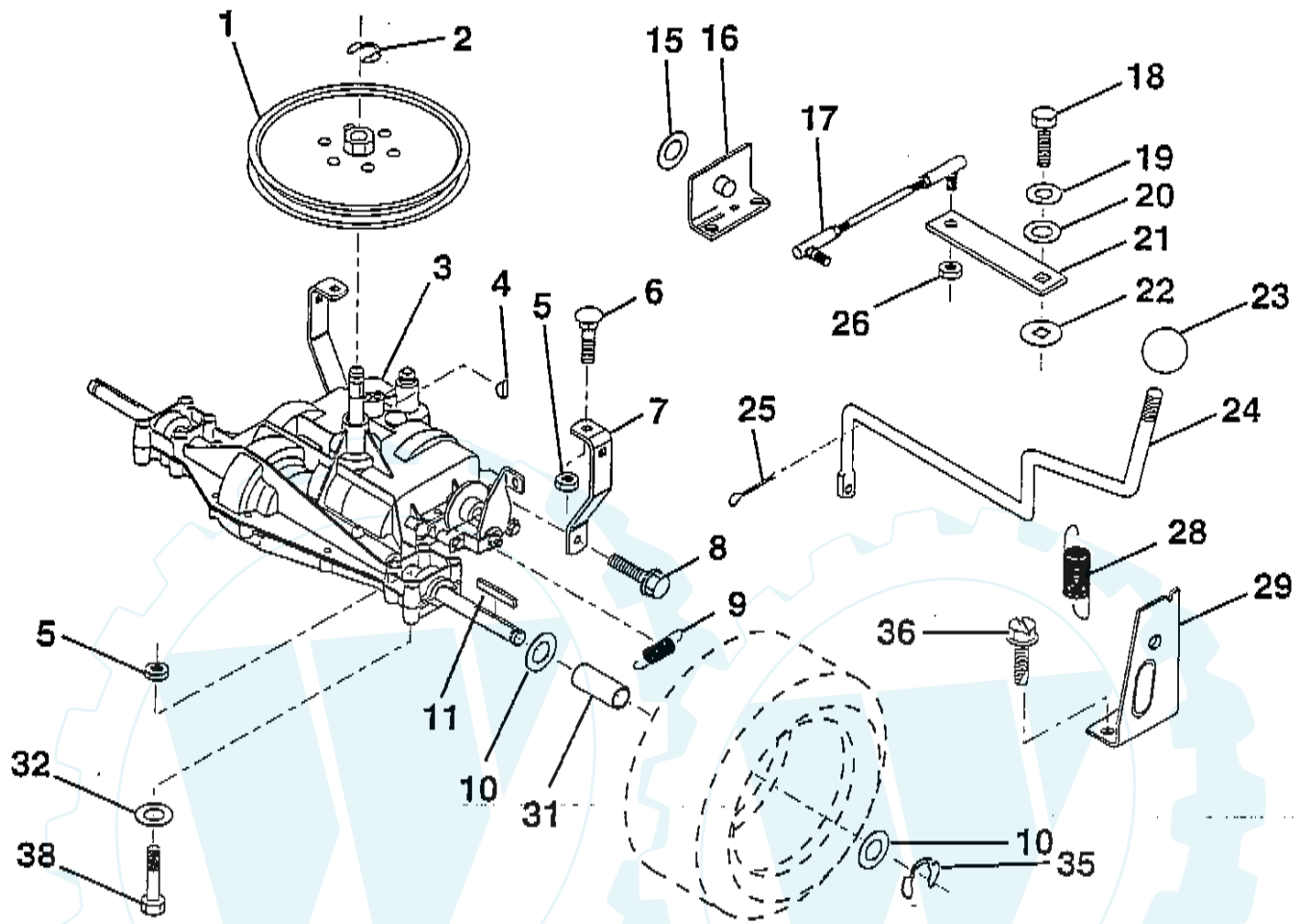
TRANSAXLE PEERLESS - MODEL NUMBER 930-009A



# REPAIR PARTS

## TRACTOR - - MODEL NUMBER 13-90E (P13TC90A)

### TRANSAXLE



KEY NO.	PART NO.	DESCRIPTION
1	532123385	Pulley
2	812000028	Ring, Retainer
3	532127050	Transaxle 5 Sp. Peerless 930-009
4	532125096	Key, Woodruff #9
5	873680500	Nut, Crownlock 5/16-18
6	872140506	Bolt, Carriage 5/16-18 UNC x 3/4
7	532123378	Strap, Torque
8	817490512	Screw 5/16-18 x 3/4
9	532146682	Spring, Brake
10	532121749	Washer 25/32 x 1-1/4 x 16 Ga.
11	532123583	Key, Square
15	819171616	Washer 17/32 x 1 x 16 Ga.
16	532124600	Support Handle Shift LH
17	532126293	Link, Shift
18	874550412	Bolt, Fin Hex 1/4-28 UNF x 3/4 Gr. 8

KEY NO.	PART NO.	DESCRIPTION
19	810040400	Washer, Lock 1/4
20	819091210	Washer 9/32 x 3/4 x 10 Ga.
21	532126292	Arm, Shift
22	532105701	Washer, Shift Plate
23	532106933	Knob, Duckhead
24	532126215	Rod, Shift
25	876020416	Pin, Cotter 1/8 x 1
26	873810500	Nut, Hex Nylon
28	532128085	Extension, Spring
29	532128084	Support Handle Shift RH
31	532137057	Spacer Split
32	819111116	Washer 11/32 x 11/16 x 16
35	812000001	E-Ring
36	817720408	Screw, Thd. Cut 1/4-20 x 1/2
38	874490544	Bolt Hex Flghd 5/16-18

HARDWARE SHOWN LARGER FOR EASIER IDENTIFICATION

# REPAIR PARTS

## TRACTOR - - MODEL NUMBER 13-90E (P13TC90A)

### TRANSAXLE PEERLESS - MODEL NUMBER 930-009A

REF PART NO. NO.	DESCRIPTION	REF PART NO. NO.	DESCRIPTION
1 772108A	Cover, Transaxle	42A 792085A	Screw 1/4-20 x 2-1/4
2 780086	Bearing, Needle	43 792075	Locknut 5/16-24
3 770102A	Case, Transaxle	44 790025	Holder, Brake Pad
4 776260	Shaft, Counter	45 786066	Spacer
5 776219B	Shaft and Pinion Assembly, Output	46 786086	Bracket, Brake Lever
6 778139	Gear, Output	47 774690	Axle 11-5/16" long
7 778136	Gear, Spur, 15 Teeth	48 774691	Axle 16-1/2" long
8 792136A	Key, Shift	49 778191	Gear, Spur, 37 Teeth (1-)
8A 792047	Key, Woodruff	50 778124A	Gear, Spur, 30 Teeth (2-)
9 784352	Collar, Shifter	51 778123A	Gear, Spur, 25 Teeth (3-)
10 784355	Rod and Fork Assembly, Shift	52 778122A	Gear, Spur, 22 Teeth (4-)
11 778229	Gear, Bevel, 42 Teeth	53 778273	Gear, Spur, 19 Teeth, Steel (5-)
12 778113A	Bevel Pinion, Input	56 778230	Gear, Spur, 12 Teeth (1-)
13 778221	Gear, Bevel	57 778126A	Gear, Spur, 20 Teeth (2-)
14 778068	Gear, Bevel Pinion	58 778127A	Gear, Spur, 25 Teeth (3-)
15 778260	Gear, Ring	59 778128A	Gear, Spur, 28 Teeth (4-)
17 786139	Pin, Drive	60 778163	Gear, Spur, 31 Teeth (5-)
18 786102	Spacer, Neutral	63 786071	Spacer
20 792077	Ball, Steel 5/16" diameter	64 786072	Spacer
21 792078	Set Screw 3/8-16 x 3/8	65 780109	Washer, Thrust
22 792079	Spring	66 776135	Shaft, Input
23 788061	Ring, Seal	67 776315A	Shaft, Brake, 4 Keyed
25 792073	Screw, Flanged Hex Head, Thread Forming 1/4-20 x 1-1/4	68 786116A	Plug
26 792125	Ring, Retainer (4 Required, Package of 2)	69 780051	Washer, Thrust
27 792035	Ring, Retainer	70 786118	Spacer
28 788040	Ring, Retainer	71 788069	Seal, Square Cut
29 780072	Washer, Thrust	72 792165	Plug, Threaded 9/16-18
30 780108	Washer, Thrust	72A 788091	"O" Ring
31 780001	Washer	76 780090	Washer, Thrust
32 792001	"O" Ring	77 788078A	Ring, Retaining, Inverted (Package of 2)
33 788095	Seal, Square Cut	79 792144	Spring, Brake
34 780105A	Bushing, Flanged	81 786081	Chain, Roller (Number 41 Chain, 24 Links)
35 780118A	Bushing, Flanged	82 786082	Sprocket, 9 Teeth (Reverse)
36 790003	Disk, Brake	83 786123	Sprocket, 18 Teeth (Reverse)
37 790007	Plate, Brake Pad	90 788067B	Grease, Bentonite, 32 Ounce Bottle
38 799021	Pad, Brake	150 510334	Gasket Eliminator (Loctite #515)
39 786026	Pin, Dowel		
40 792076A	Washer, Flat		
41 790079	Lever, Brake		
42 792073	Screw, Flanged Hex Head, Thread Forming 1/4-20 x 1-1/4		

**NOTE:** All component dimensions given in U.S. inches  
1 inch = 25.4 mm

Parts must be ordered from Tecumseh Products Co.

HARDWARE SHOWN LARGER FOR EASIER IDENTIFICATION