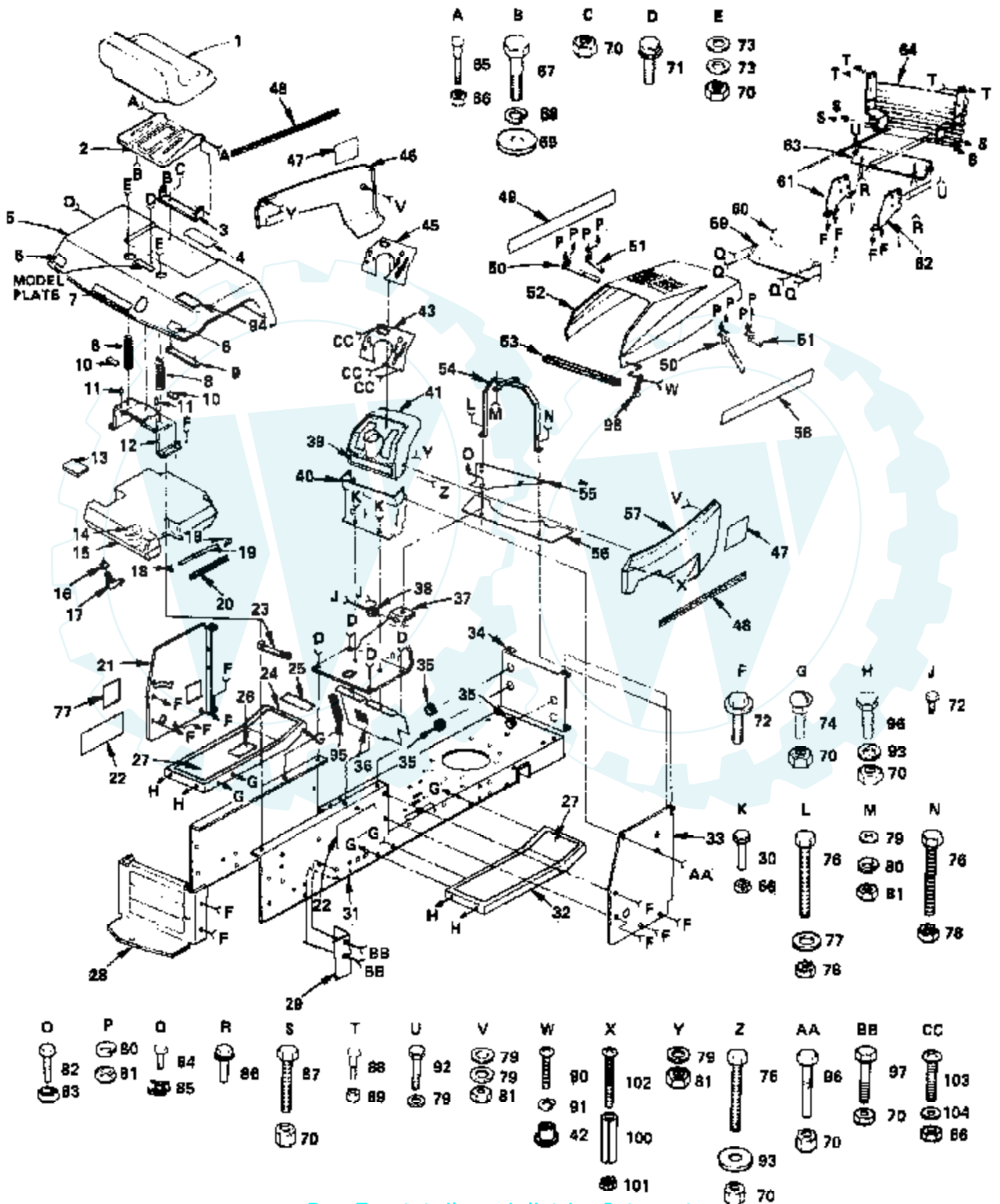
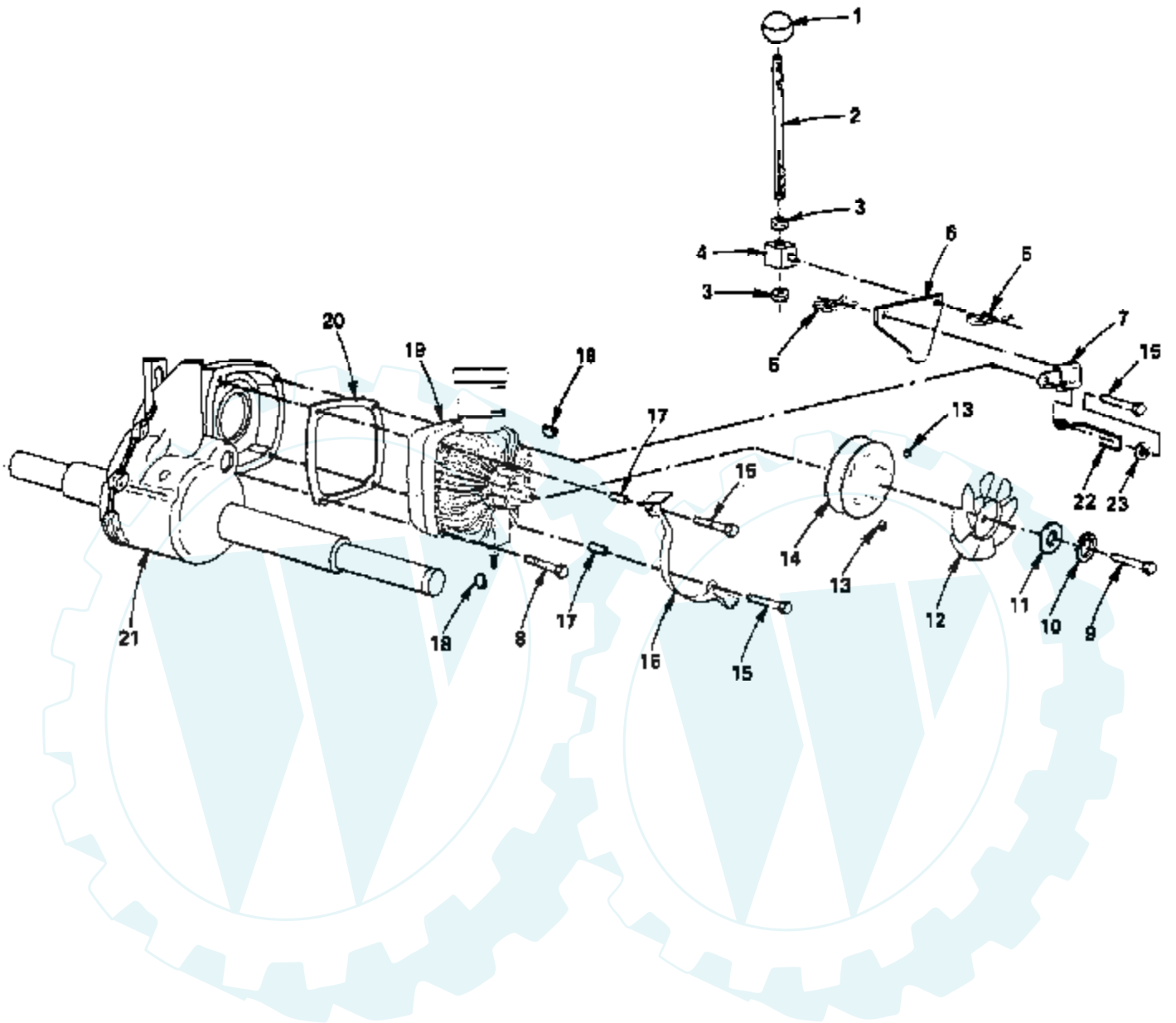


**ROPER YT 16 HYDROSTATIC YARD TRACTOR--MODEL NUMBERS YTH 180AR AND YTH 160AT
 CHASSIS AND ENCLOSURES**

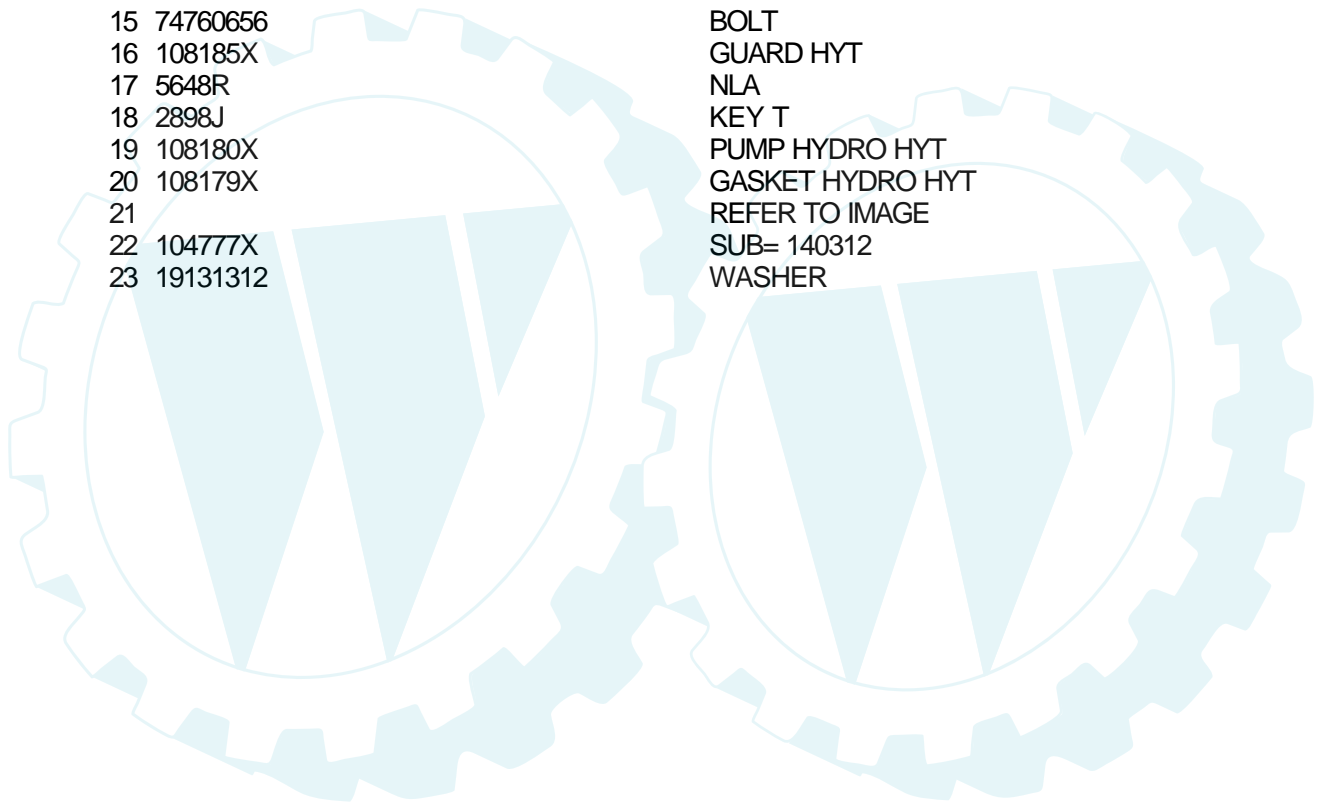


Ref #	Part Number	Qty	Description
1	108612X		SUB= 110057X
2	108176X		SUB= 109866X
3	105513X		SUB= 140551
4	106974X		SUB= 133796
4	108658X		SUB= 120822X
5	105507X358		SUB= 109593X367
6	106202X		REFLECTOR-TAIL YT
7	104810X		NLA
8	105512X		SPRING LT
9	105511X		SUB= 140675
10	105514X		"CLAMP, SPRING LT"
11	105531X		NUT-PUSH YT
12	105509X		SUB= 137113
13	106082X		PAD-SPACER LT
14	105965X		SUB= 158990
15	106020X		SUB= 151346
16	3645J		BUSHING OUTLET T
17	8710J		FUEL TANK STEM GT
18	6999R		SUB= 123487X
19	5277J		SUB= 8543R
20	109067X		COVER - CABLE
21	106966X		PANEL DASH HYT
22	104875X		NLA
23	8292J		SUB= 7192J
24	105465X		SUB= 145244X417
25	4900J		DECAL T
25	101892X		DECAL T
26	108516X		NLA
27	108256X		PAD FOOTREST T
28	102481X		SUB= 145009
29	109062X		SUB= 109219X
30	74350512		BOLT LT
31	108963X		SUB= 109512X
32	105464X		SUB= 145243X417
33	108398X		PANEL-DASH
34	104920X		NLA
35	9151R		SNAP BUSHING T
36	109061X		SUB= 109252X
37	108106X		SADDLE HYT
38	1554J		SUB= 155108
39	108635X		NLA
39	108813X		SUB= 138956
40	104805X		LOWER DASH
41	108396X		SUB= 121312X
42	2029J		WELDNUT
43	108558X		PLATE-DASH
44	19131316		WASHER
45	108555X		DECAL-DASH
45	108814X		DECAL-DASH
46	108372X358		SUB= 150302X505
47	108589X		DECAL-SIDE PANEL
48	104646X		NLA
49	104643X		NLA
50	106784X		SUB= 155013
51	104618X		SUB= 155013
52	108370X358		SUB= 150301X505
53	105037X		FOAM-STRIP LT
54	104904X		NLA

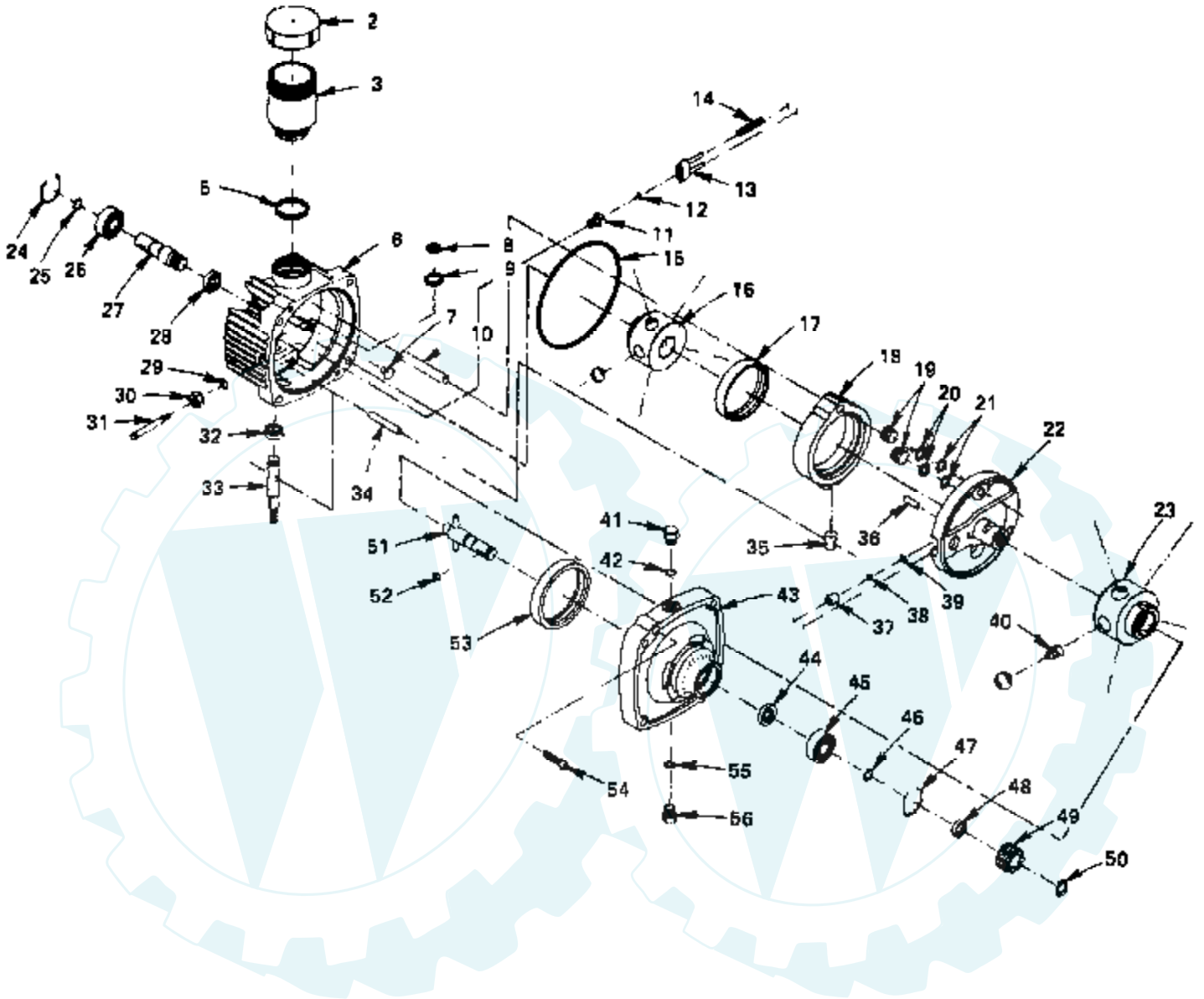
Ref #	Part Number	Qty	Description
55	106965X		SUB= 140181
56	104919X		SUB= 109740X
57	108371X358		SUB= 140679X505
58	104644X		NLA
59	104613X		SUB= 147717
60	106395X		LENS LT
61	104632X		SUPPORT-GRILL LT
62	104633X		NLA
63	104634X		SUB= 105419X388
64	104628X		GRILL GT
65	105529X		SUB= 139888
66	73680500		SUB= 73690500
67	74780612		BOLT
68	10110600		LOCKWASHER T
69	19132012		WASHER
70	73680600		SUB= 73690600
71	17490608		SCREW LT
72	17490612		SCREW
73	19132012		WASHER
74	72140606		BOLT
75	17431008		SUB= 98000165
76	74760620		SUB= 74780620
77	105505X		SUB= 121794X
78	73510600		NUT
79	19091216		WASHER PM
80	10090400		SUB= 10040400
81	73220400		SUB= 50675
82	74780512		BOLT
83	73510500		NUT
84	17211010		SCREW LT
85	104755X		""J"" FASTENER LT"
86	17490512		SCREW
87	74760616		BOLT
88	7605J		BOLT T
89	73680400		SUB= 73690400
90	74191008		SCREW
91	10071000		LOCKWASHER
92	17490412		SCREW HEX CRT
93	19131312		WASHER
94	7178J		DECAL-CAUTION
94	101893X		NLA
95	105036X		FOAM STRIP HYT
96	74760612		SUB= 74780612
97	74760610		BOLT
98	100225L		SUB= 109808X
99	73731000		NUT
100	7206J		SPACER LT
101	19070818		WASHER
102	74981020		SCREW
103	74180512		SCREW
104	19111116		WASHER



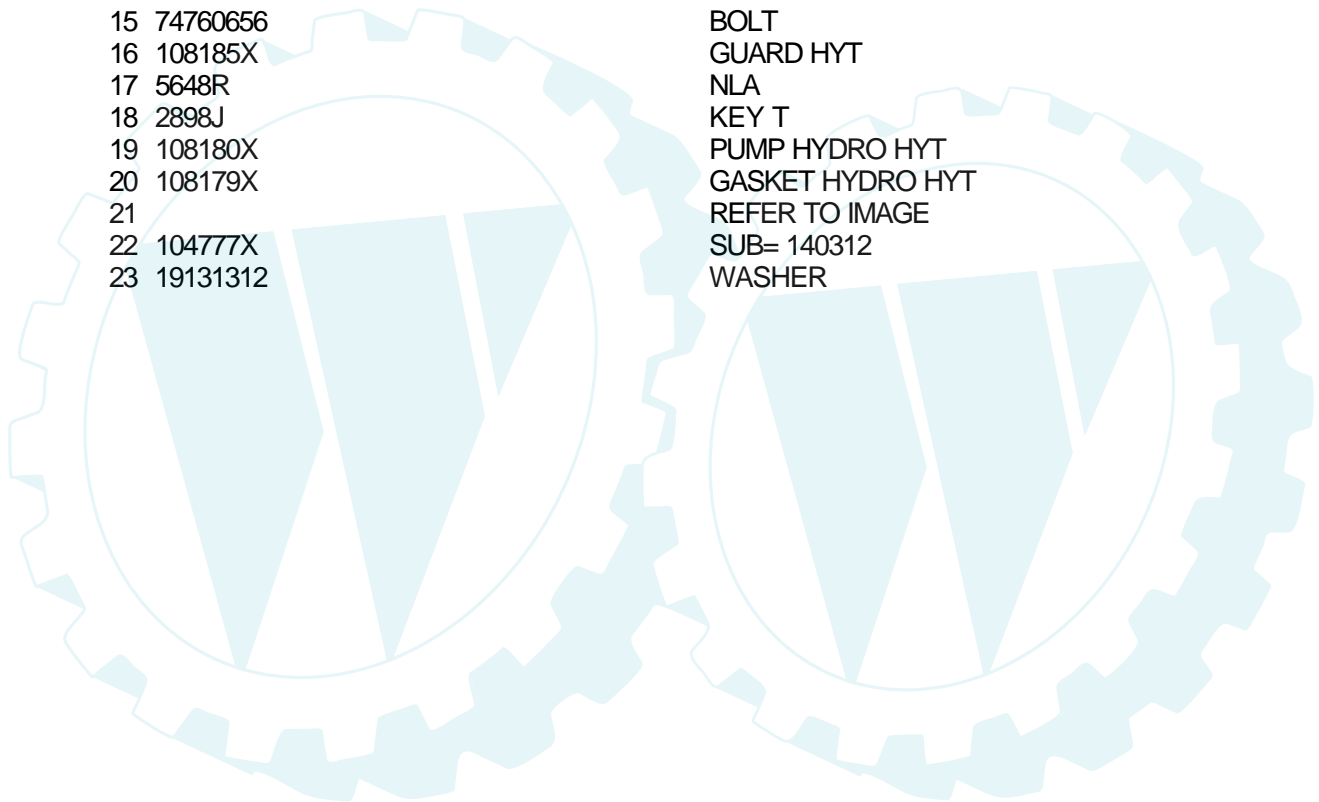
Ref #	Part Number	Qty	Description
1	106932X		KNOB T(3/8 HOLE)
2	108587X		ROD COAST HYT
3	73350600		NUT
4	108212X		TRUNION HYT
5	4921H		SPRING.RETAINER
6	108222X		CONTROL COAST HYT
7	108182X		BRKT ASSEM HYT
8	74760648		BOLT - HEX 3/8 - 16 X 3
9	74760416		BOLT
10	10040400		LOCKWASHER
11	19092016		WASHER
12	108833X		FAN HYDRO HYT
13	23200506		SET SCREW
14	108099X		PULLEY HYT
15	74760656		BOLT
16	108185X		GUARD HYT
17	5648R		NLA
18	2898J		KEY T
19	108180X		PUMP HYDRO HYT
20	108179X		GASKET HYDRO HYT
21			REFER TO IMAGE
22	104777X		SUB= 140312
23	19131312		WASHER



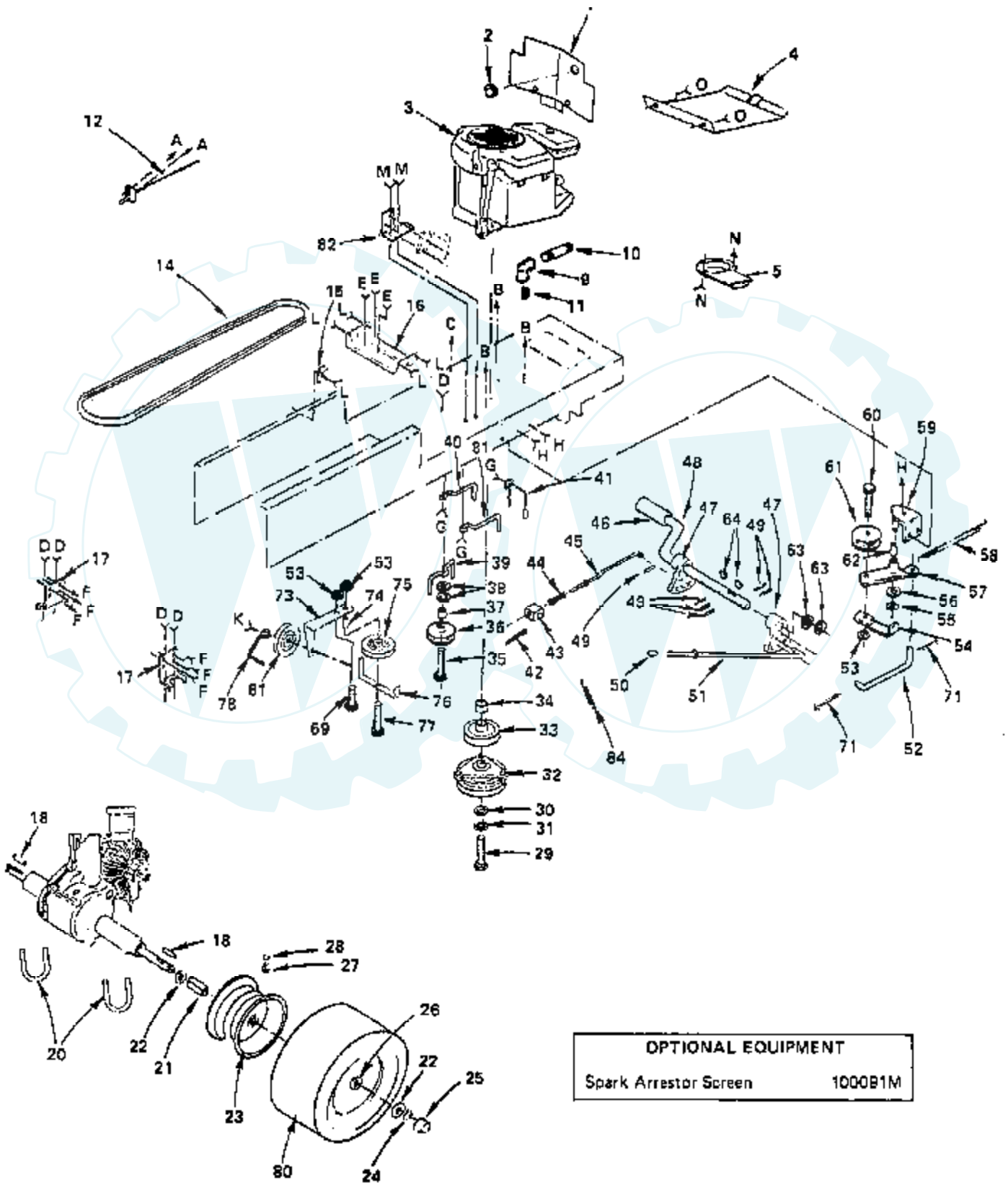
**ROPER YT 16 HYDROSTATIC YARD TRACTOR--MODEL NUMBERS YTH 160AR AND YTH 160AT
PUMP**



Ref #	Part Number	Qty	Description
1	106932X		KNOB T(3/8 HOLE)
2	108587X		ROD COAST HYT
3	73350600		NUT
4	108212X		TRUNION HYT
5	4921H		SPRING.RETAINER
6	108222X		CONTROL COAST HYT
7	108182X		BRKT ASSEM HYT
8	74760648		BOLT - HEX 3/8 - 16 X 3
9	74760416		BOLT
10	10040400		LOCKWASHER
11	19092016		WASHER
12	108833X		FAN HYDRO HYT
13	23200506		SET SCREW
14	108099X		PULLEY HYT
15	74760656		BOLT
16	108185X		GUARD HYT
17	5648R		NLA
18	2898J		KEY T
19	108180X		PUMP HYDRO HYT
20	108179X		GASKET HYDRO HYT
21			REFER TO IMAGE
22	104777X		SUB= 140312
23	19131312		WASHER



ROPER YT 16 HYDROSTATIC YARD TRACTOR - MODEL NUMBERS YTH 160AR AND YTH 160AT DRIVE



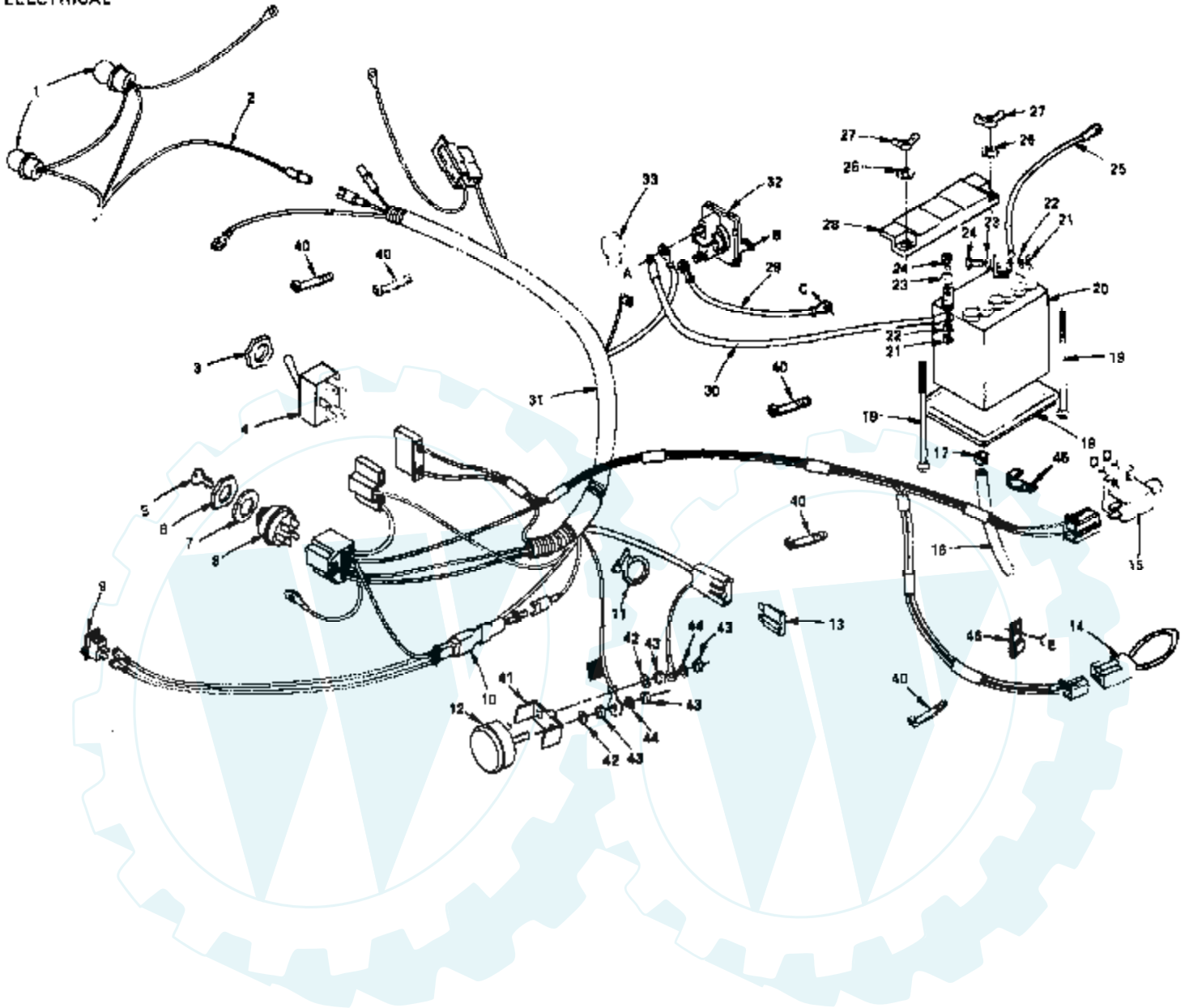
Ref #	Part Number	Qty	Description
1	104917X		BAFFLE YT
2	9151R		SNAP BUSHING T
3	402707		ENGINE, B&S
4	104916X		BAFFLE YT
5	106407X		SUB= 108767X
9	13200300		ELBOW
10	13280336		PIPE NIPPLE LT
11	91084		PLUG OIL DRAIN
12	108588X		SUB= 121524X
14	108103X		SUB= 120418X
15	2751R		CLIP T
16	108191X		NLA
17	108094X		BRKT, TRANSAXLE
18	9396E		SQ KEY STD
20	108093X		U-BOLT HYT
21	108097X		SPACER HYT
22	19332416		WASHER
23	108401X		RIM REAR HYT
24	12000053		E RING HYT
25	104757X		HUB CAP
26	19252616		SUB= 121748X
27	65139		VALVE STEM LT
28	59192		VALVE CAP
29	74610764		SUB= 71130768
30	108252X		WASHER T
31	10040700		LOCKWASHER
32	108218X		SUB= 142600
33	108102X		PULLEY ENGINE HYT
34	108217X		SPACER HYT
35	74760644		BOLT
36	4859J		SUB= 123674X
37	4470J		SPACER T
38	19131312		WASHER
39	106191X		SUB= 109070X
40	108100X		SUB= 120136X
41	108219X		SUB= 109172X
42	76020412		COTTER PIN
43	108212X		TRUNION HYT
44	108661X		SPRING BRAKE HYT
45	108112X		SUB= 121091X
46	8883R		PEDAL COVER T
47	106918X		ARM BRAKE LT
48	108096X		SHAFT, FOOT PEDAL
49	1572H		SUB= 2882J
50	71673		PLUNGER CAP T
51	105844X		SUB= 125637X
52	105710X		"LINK, CLUTCH T"
53	73680600		SUB= 73690600
54	106499X		SUB= 123205X
55	12000039		KLIP RING
56	207J		WASHER T
57	105705X		SUB= 125829X
58	105709X		"SPRING, RETURN LT"
59	105724X		SUB= 123102X
60	74760624		SUB= 74930624
61	106298X		SUB= 139245
62	105706X		"LY BEARING"
63	19252016		SUB= 121749X

Ref #	Part Number	Qty	Description
64	2228M		SUB= 2228M1
69	74760616		BOLT
71	76020412		COTTER PIN
73	108214X		BRKT IDLER HYT
74	101279K		SPACER SPLIT LTV
75	105307X		IDLER.PULLEY.LT
76	108216X		KEEPER BELT HYT
77	74760656		BOLT
78	105597X		BELT RETAINER GT
80	106274X		SUB= 122076X
	105101X		TUBE.20X8-10
81	108101X		SUB= 120443X
82	108236X		BRACKET LT
84	106319X		SPRING-EXT LT

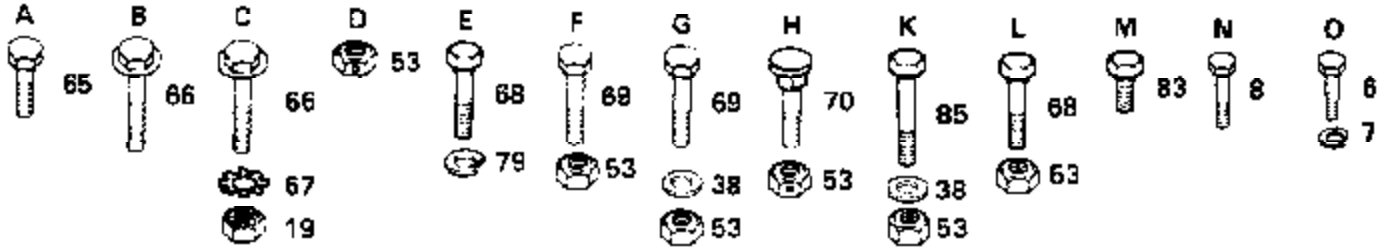


ROPER YT 16 HYDROSTATIC YARD TRACTOR--MODEL NUMBERS YTH 160AR AND YTH 160AT

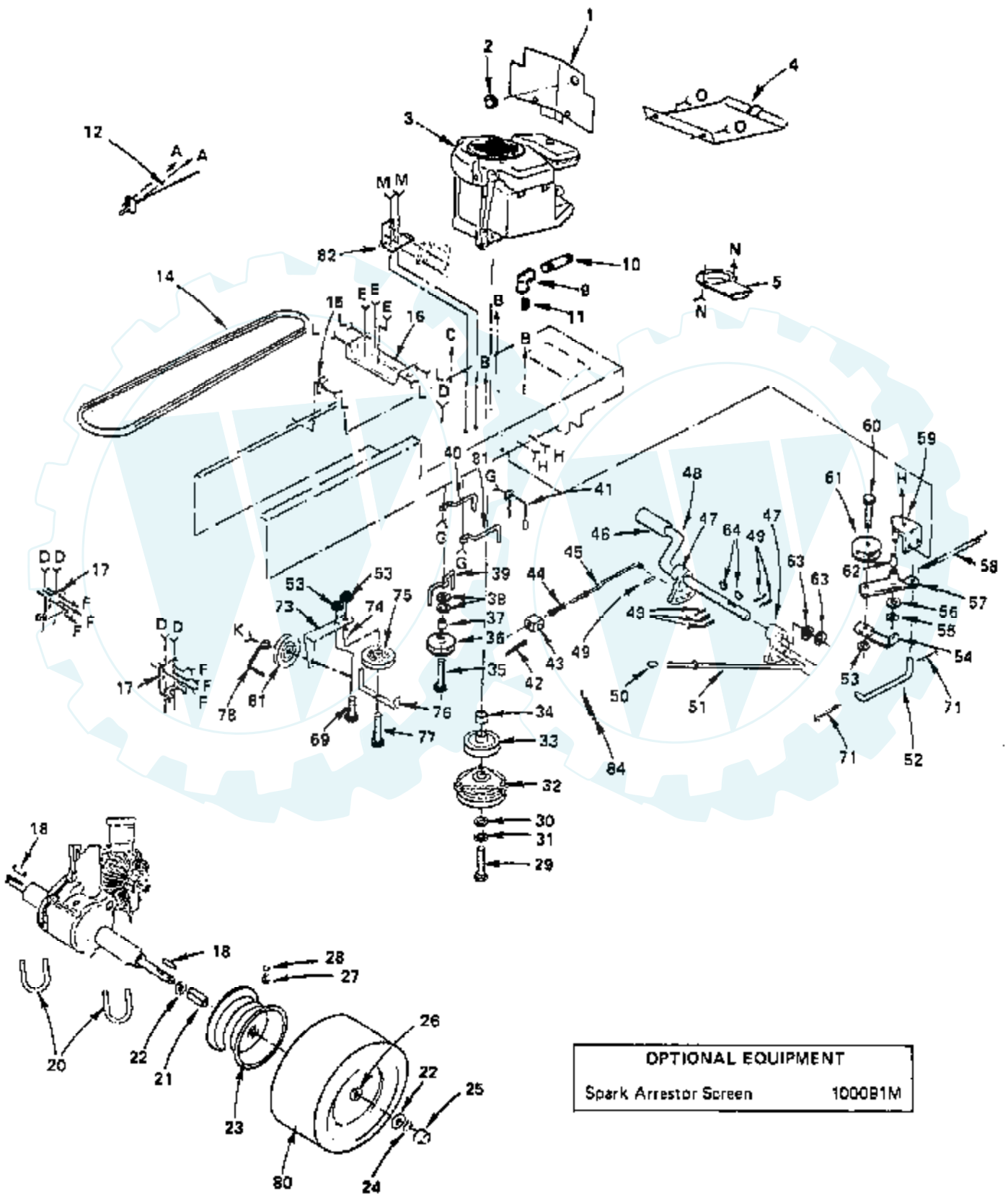
ELECTRICAL

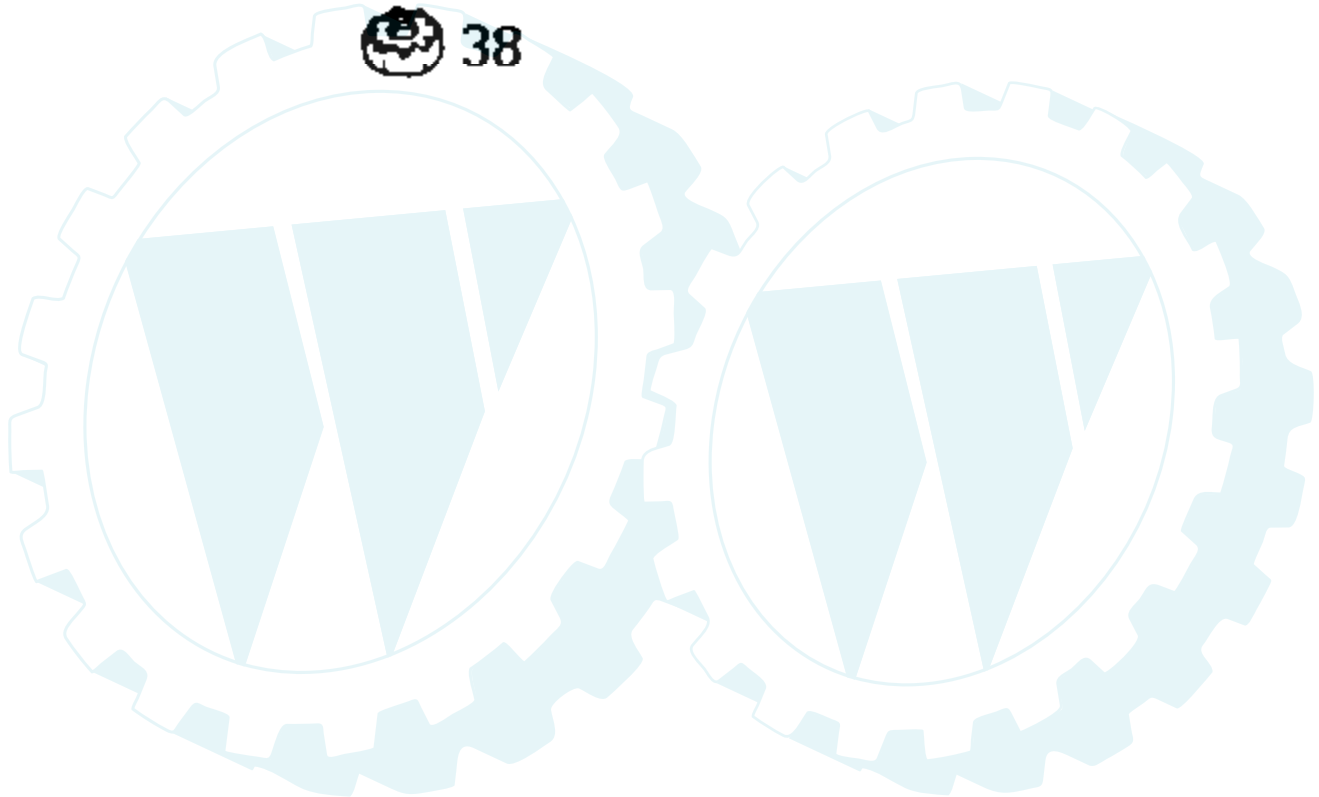
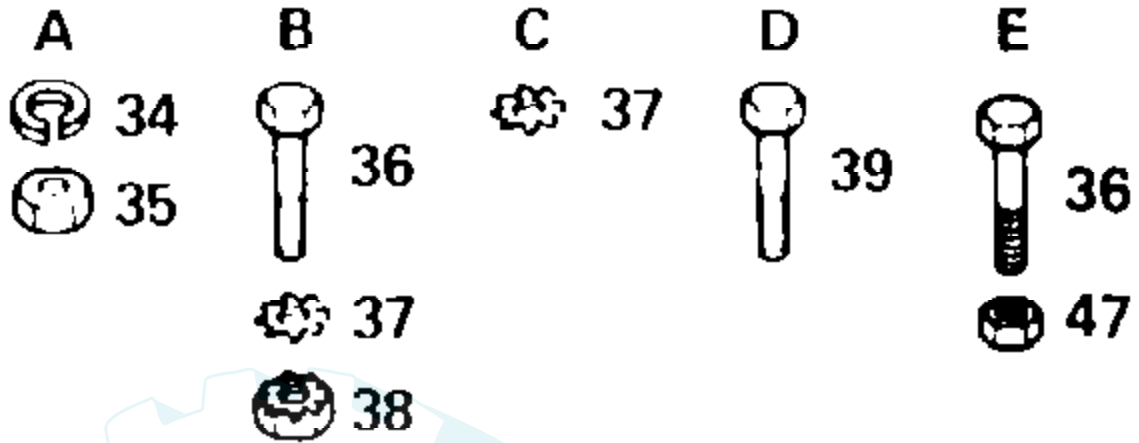


Ref #	Part Number	Qty	Description
1	4152J		HEADLAMP BULB
2	104873X		NLA
3	4022J		HEX NUT T
4	4021J		SWITCH.PTO.T
5	105613X		SUB= STD365410
6	3258J		CONDUIT NUT L
7	11151000		LOCKWASHER
8	4406R		SUB= STD365402
9	105381X		SUB= 110712X
10	106315X		SUB= 135665
11	106617X		NLA
12	9433R		AMMETER T
13	108824X		FUSE HYT
14	102501X		SUB= 141940
15	104445X		SWITCH-INTER. GT
16	100656K		SUB= 7697J
17	6999R		SUB= 123487X
18	7603J		"TRAY T, BATTERY"
19	72240460		BOLT
20	227J		SUB= 123899X
21	73220400		SUB= 50675
22	10040400		LOCKWASHER
23	19091016		WASHER
24	74760412		BOLT LT
25	4207J		CABLE T
26	11030400		LOCKWASHER GT
27	73490400		SUB= 146525
28	102476X		SUB= 150109
29	4208J		SUB= 4799J
30	4206J		CABLE-BATTERY T
31	108670X		NLA
32	2008J		SUB= 146154
33	719J		SUB= 154336
40	7192J		WIRE TIE
41	6009J		SUB= 532131708
42	6951J		NLA
43	6953J		NLA
44	6952J		SUB= 10071000
45	100207K		CLIP GTV
46	235R		CLIPT
	101539X		SHEET INSTR LT
	108549X		OWNER'S MANUAL



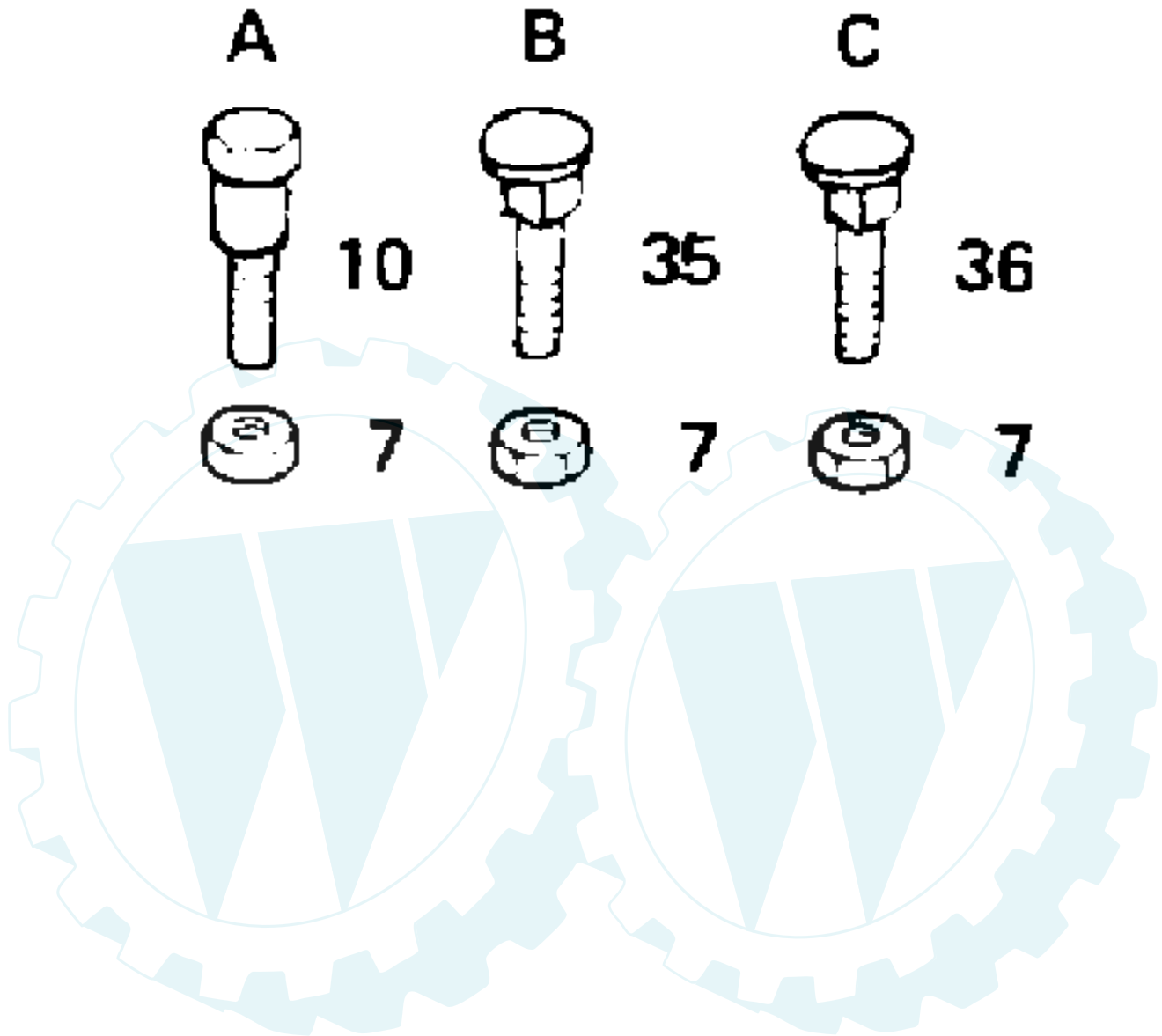
ROPER YT 16 HYDROSTATIC YARD TRACTOR MODEL NUMBERS YTH 160AR AND YTH 160AT
DRIVE





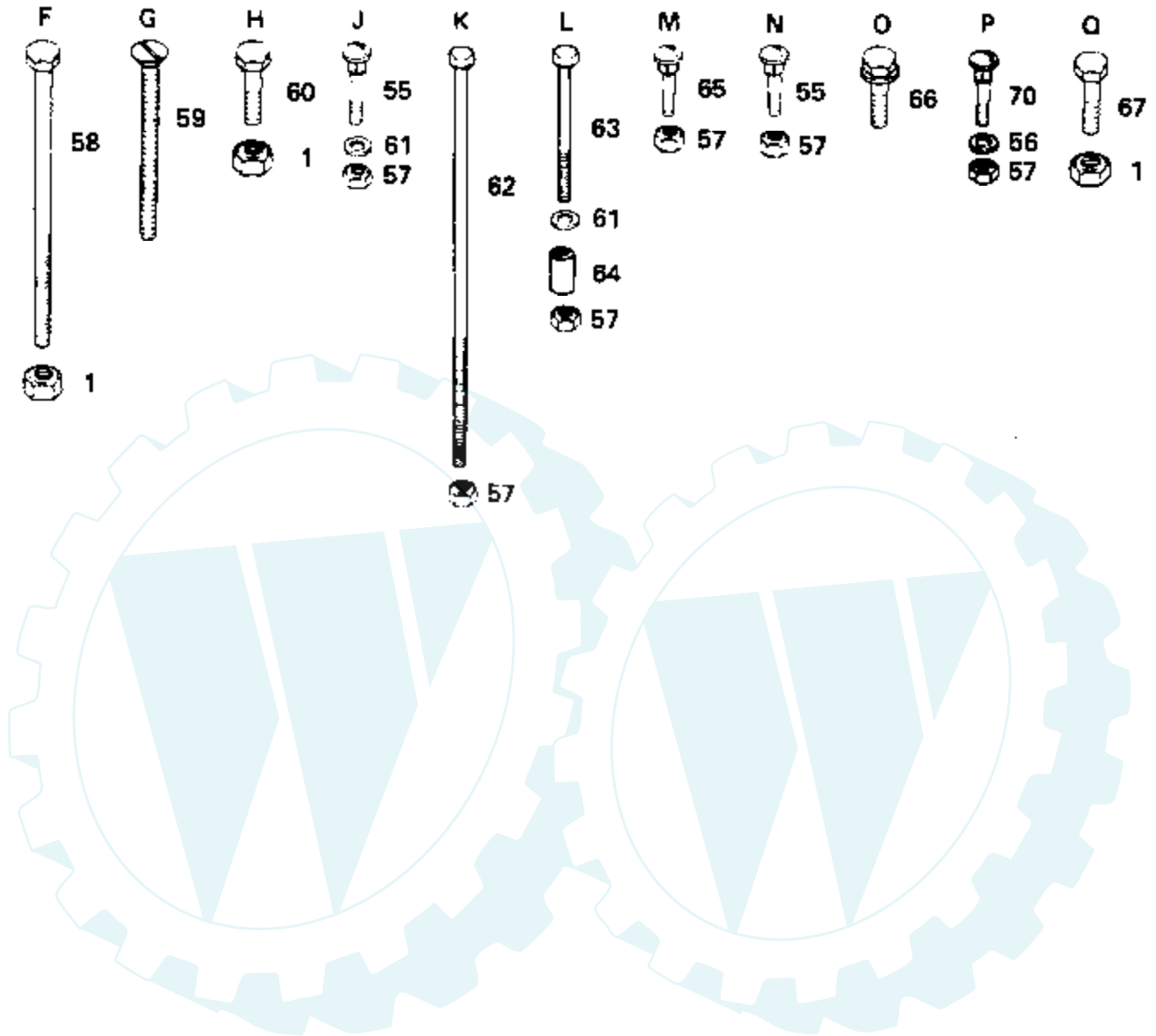
Ref #	Part Number	Qty	Description
34	10090400		SUB= 10040400
35	73350400		NUT
36	74780408		BOLT
37	11050400		LOCKWASHER
38	73510400		NUT
39	17021008		SCREW
47	73680400		SUB= 73690400
	101539X		SHEET INSTR LT
	108549X		OWNER'S MANUAL



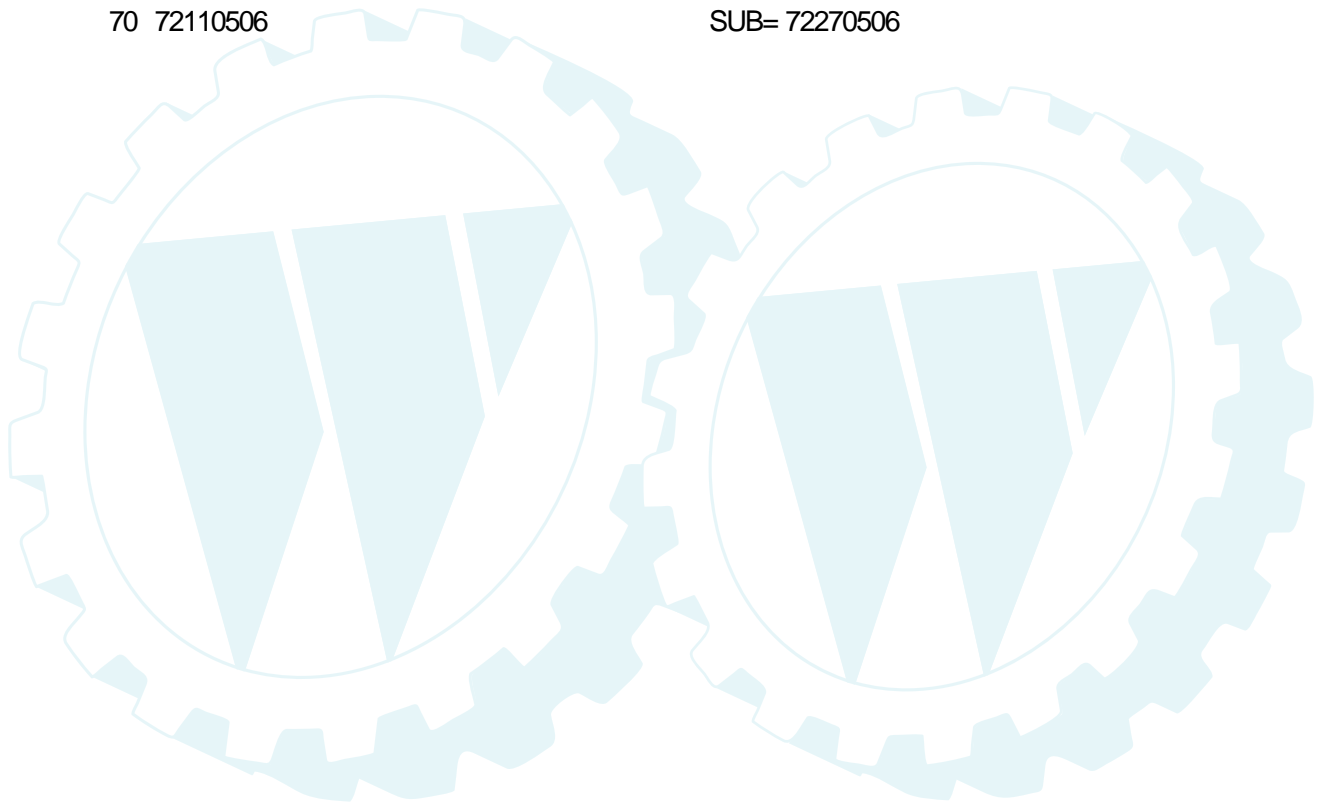


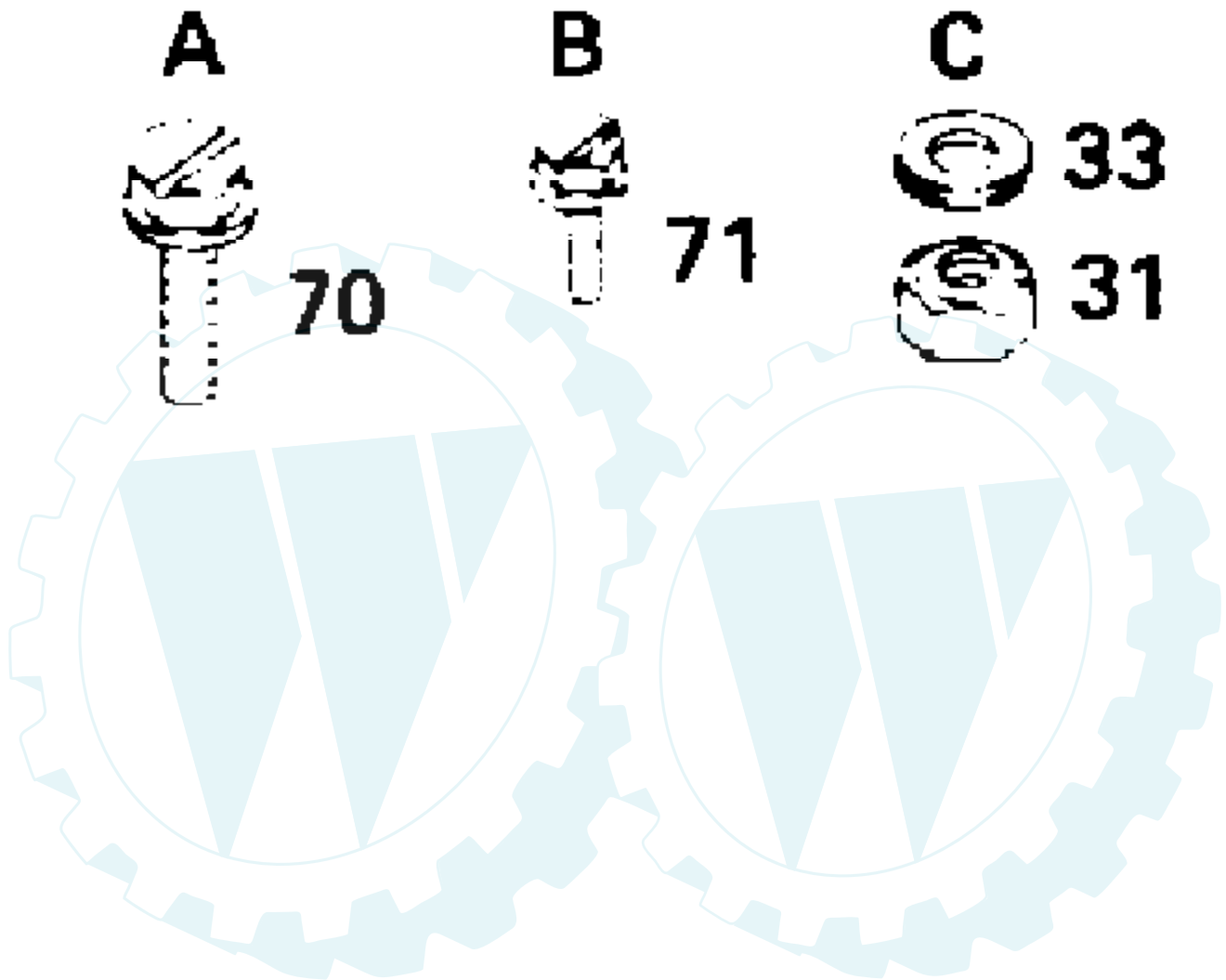
Ref #	Part Number	Qty	Description
7	73680600		SUB= 73690600
10	105848X		"BOLT, SHOULDER LT"
35	72140608		SUB= 72110608
36	72140606		BOLT





Ref #	Part Number	Qty	Description
1	73680600		SUB= 73690600
55	72140506		BOLT
56	19111116		WASHER
57	73680500		SUB= 73690500
58	74760648		BOLT - HEX 3/8 - 16 X 3
59	74110632		SCREW YT
60	74760612		SUB= 74780612
61	19111216		WASHER M
62	74760580		BOLT
63	74760524		BOLT.HEX.5/16-1.5
64	9173R		SPLIT SPACER RT
65	72140505		BOLT
66	17490612		SCREW
67	72140606		BOLT
70	72110506		SUB= 72270506

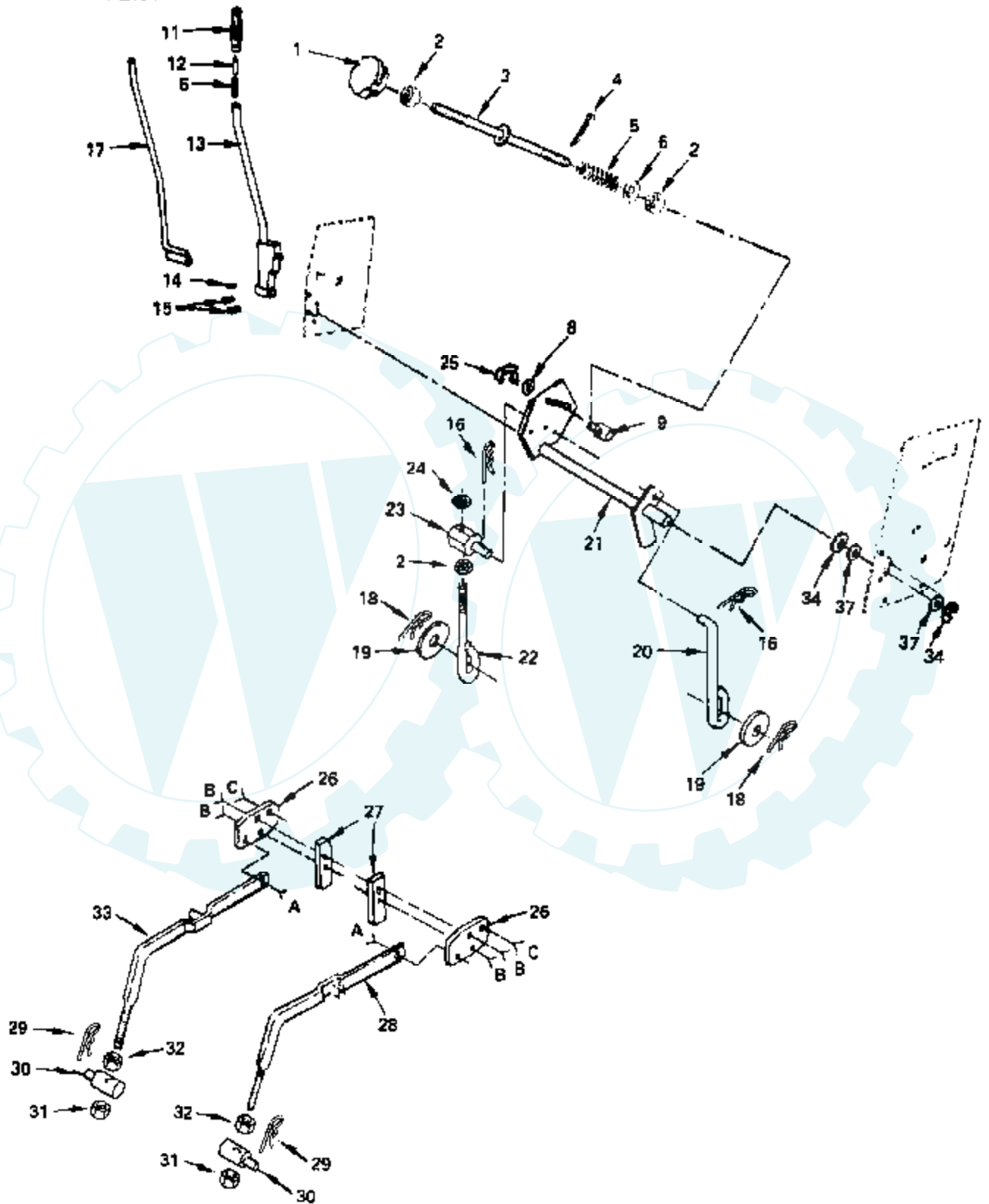




Ref #	Part Number	Qty	Description
31	73680600		SUB= 73690600
33	19131312		WASHER
70	17490612		SCREW
71	17490508		SCREW LT

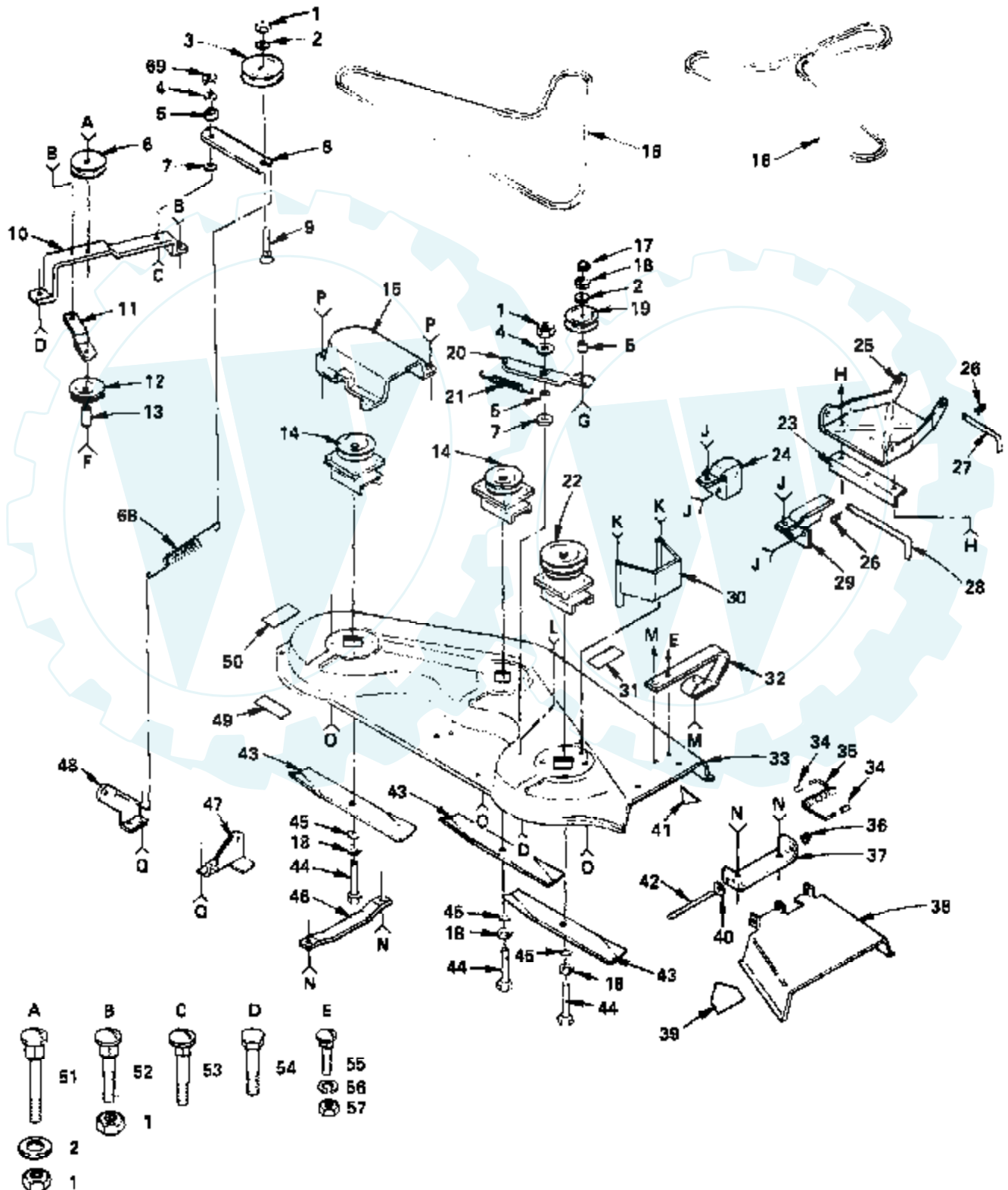


ROPER YT 16 HYDROSTATIC YARD TRACTOR--MODEL NUMBERS YTH 160AR AND YTH 160AT LIFT ADJUSTMENT



Ref #	Part Number	Qty	Description
1	100734K		SUB= 138057
2	73350600		NUT
3	100735K		ROD ADJUST LT
4	76020308		SUB= 3145
5	2876H		SPRING T
6	19131016		WASHER
8	19151216		WASHER
9	6519J		TRUNION T
11	106019X		SUB= 109413X
12	105723X		SUB= 125925X
13	104597X		LEVER ASSY LT
14	8330H		KEY STD
15	23180606		SCREW
16	4939M		SUB= 85902
17	104598X		ROD ASSY-LEVER LT
18	4921H		SPRING.RETAINER
19	19171616		WASHER
20	105856X		SUB= 110095X
21	109052X		SUB= 109990X
22	105855X		LINK LIFT LT
23	106204X		SUB= 132793
24	73680600		SUB= 73690600
25	12000037		KLIP RING
26	105864X		"BRACKET, SUSPE T"
27	106854X		SUB= 121252X
28	105862X		SUB= 121598X
29	9135R		SPRING H
30	106308X		SUB= 130171
31	73680800		NUT LTV
32	73220800		NUT
33	105863X		SUB= 121599X
34	12000029		RING
37	19292016		WASHER

**ROPER YT 16 HYDROSTATIC YARD TRACTOR--MODEL NUMBERS YTH 160AR AND YTH 160AT
MOWER**

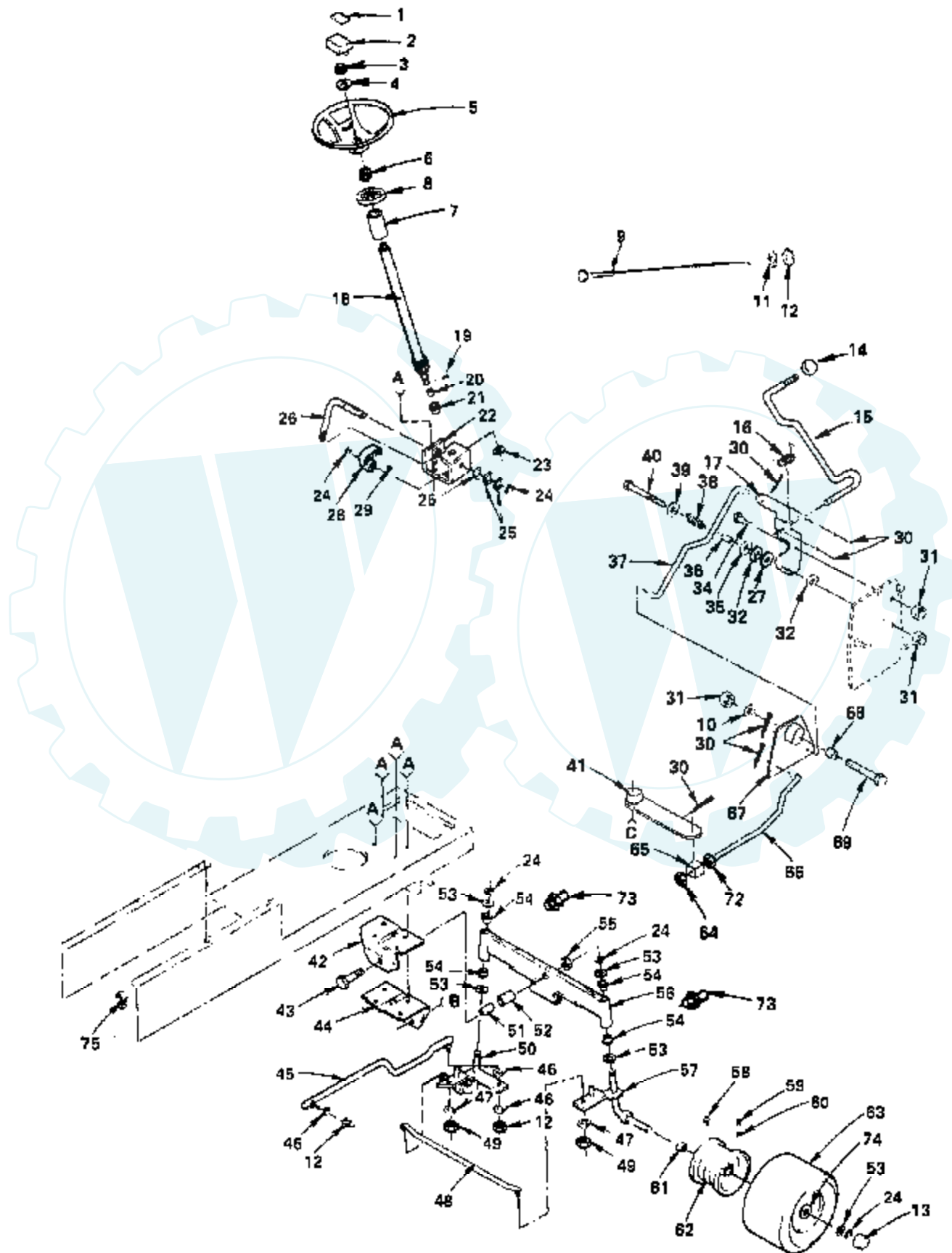


Ref #	Part Number	Qty	Description
1	73680600		SUB= 73690600
2	19131614		WASHER
3	102403X		IDLER-FLAT T
4	106514X		SUB= 106902X
5	106902X		SPACER RETAINER
6	677A451		IDLER-INSIDE T
7	106513X		"WASHER, WEAR LT"
8	108127X		ARM IDLER HYT
9	72140606		BOLT
10	106523X		"SUPPORT YT, BAR"
11	106522X		BRACE-IDLER YT
12	102948X		IDLER-FLAT YTV
13	106525X		SPACER YT
14	106037X		SUB= 136819
15	106214X		GUARD YT
16	106085X		BELT-V.79.1.MWR
17	73220600		NUT.HEX.3/8-16UNC
18	10040600		LOCKWASHER
19	102932X		IDLER.FLAT.GTV
20	106526X		ARM-IDLER YT
21	106531X		SPRING YT
22	106041X		SUB= 121705X
23	105872X		LINK STOP
24	106511X		BRACKET LH YT
25	105662X		LINK.PARALLEL
26	9135R		SPRING H
27	105744X		"ROD, FRT. PARAL T"
28	105743X		SUB= 109835X
29	106512X		BRACKET RH YT
30	108119X		GUARD BELT HYT
31	106679X		DECAL.WARNING.T
31	108695X		SUB= 106679X
32	8418J		SUB= 136321
33	105690X		SUB= 144729
34	105304X		CAP-SLEEVE LT
35	106734X		SUB= 123713X
36	5846R		SUB= 110452X
37	105896X		SUB= 137607
38	105895X		SUB= 109785X
39	78850		SUB= 85463
39	107339X		DECAL HYT
40	19111016		WASHER
41	106975X		DECAL - SAFETY STANDARD
42	106735X		ROD-HINGE T
43	106635X		SUB= 25034
44	74610624		BOLT.3/8-24X1-1/2
45	19132012		WASHER
46	7631J		RUNNER-LH M
47	106533X		SUB= 123807X
48	108359X		SUB= 123808X
49	108592X		DECAL HYT
50	105185X		DECAL-INST YT
51	72140610		BOLT.3/8-14X1.25
52	72140608		SUB= 72110608
53	72140612		BOLT
54	74760620		SUB= 74780620
55	72140506		BOLT
56	19111116		WASHER

Ref #	Part Number	Qty	Description
57	73680500		SUB= 73690500
68	102727X		"SPRING.EXT.8.5""
69	73930600		LOCKNUT

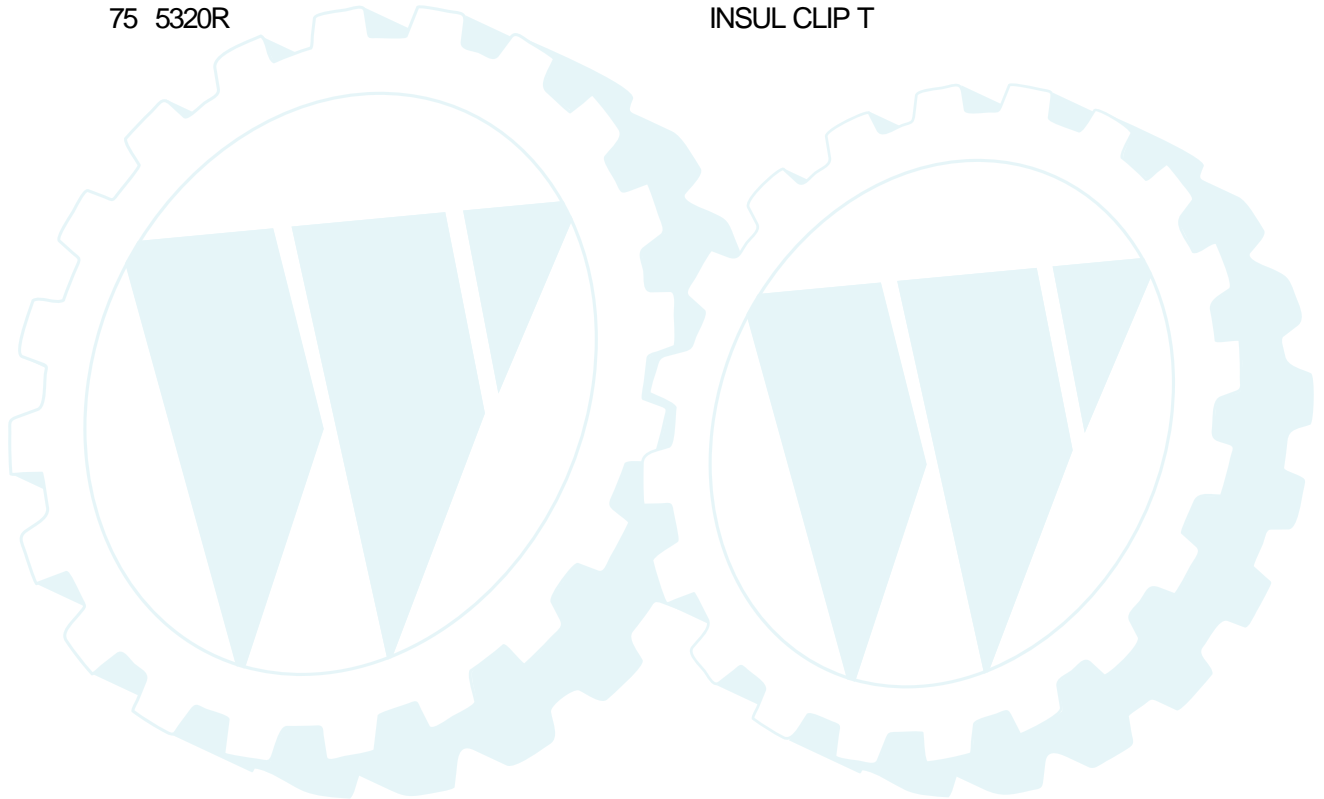


ROPER YT 16 HYDROSTATIC YARD TRACTOR--MODEL NUMBERS YTH 160AR AND YTH 160AT STEERING ASSEMBLY



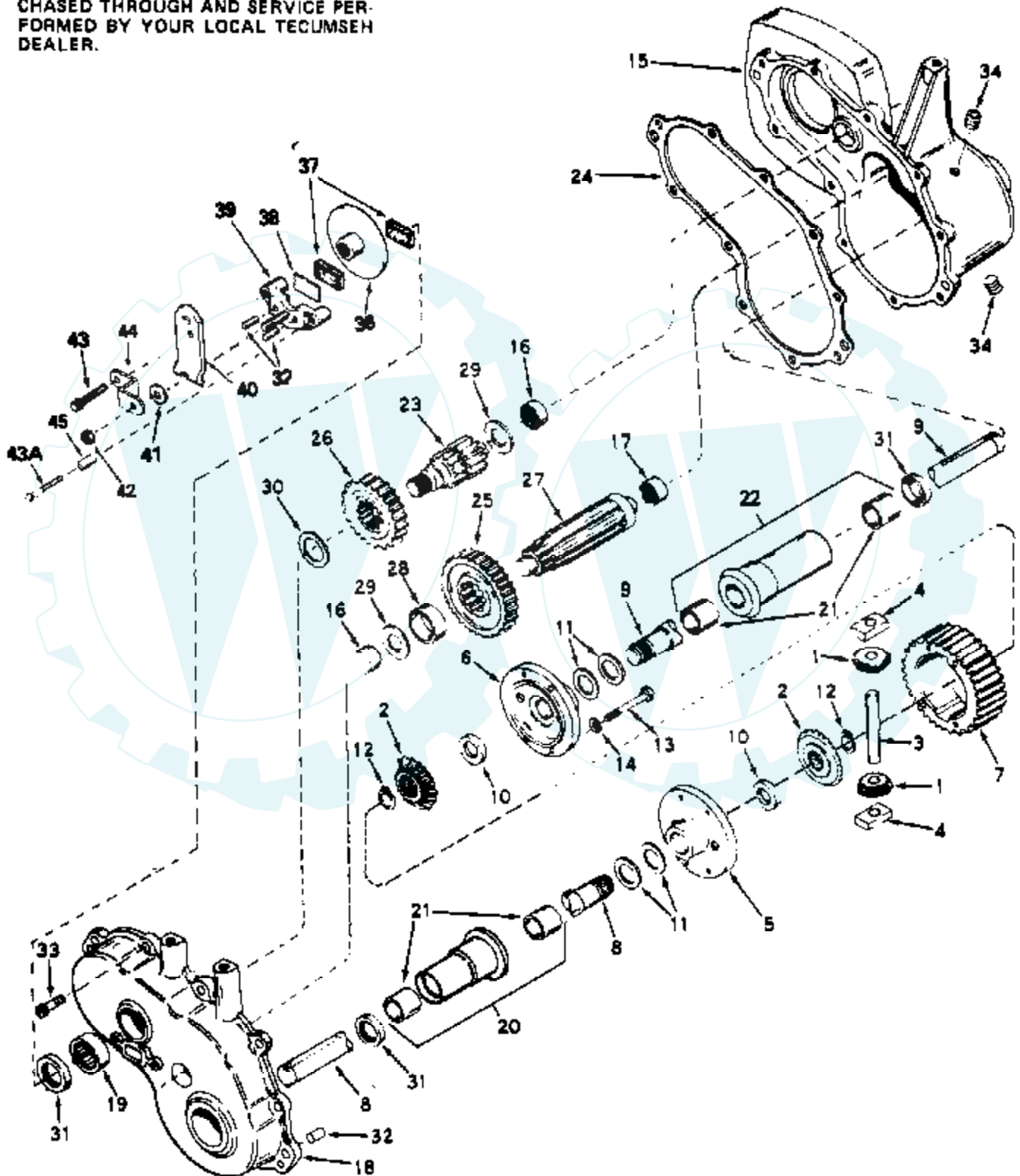
Ref #	Part Number	Qty	Description
1	104590X		DECAL - STEERING WHEEL
2	100710L		INSERT-WHEEL LT
3	73360800		NUT
4	100712K		WASHER
5	100713N		SUB= 150547
6	100711L		ADAPTER LT
7	106945X		TUBE YT
8	106943X		SPACER LT
9	6447J		SUB= 132781
10	19131316		WASHER
11	11050600		LOCKWASHER
12	73610600		SUB= 7810H
13	104757X		HUB CAP
14	106933X		KNOB T (1/2-HOLE)
15	108353X		NLA
16	108194X		NLA
17	108196X		BRKT CONTROL HYT
18	104814X		NLA
19	2882J		DRIVE PIN
20	74580		SHAFT SPACER LT
21	71208		BUSHING
22	102531X		SUB= 110150X
23	19212016		WASHER D
24	12000029		RING
25	6266H		WASHER .T
26	106127X		ROD-STEERING T
27	108972X		WASHER HYT
28	4301J		GEAR-SECTOR T
29	106126X		KEY-WOODRUFF LT
30	76020412		COTTER PIN
31	73680600		SUB= 73690600
32	108200X		WASHER FRIC HYT
34	108518X		BOLT HYT
35	19212016		WASHER D
36	108201X		SPACER HYT
37	108397X		LINK CONTROL HY
38	108844X		SPRING HYT
39	19132012		WASHER
40	74760648		BOLT - HEX 3/8 - 16 X 3
41	108209X		ARM ASSEM HYT
42	105663X		SUPPORT-SADDL T
43	74761060		BOLT LT
44	105664X		SUPPORT.SADDLE.FT
45	105727X		LINK-DRAG LT
46	10040600		LOCKWASHER
47	10040500		LOCKWASHER
48	108110X		ROD TIE HYT
49	73610500		NUT
50	105655X		SPINDLE LH YT
51	105726X		SUB= 154391
52	105725X		SUB= 110438X
53	19252016		SUB= 121749X
54	3366R		COL. SRTG. BEAR.
55	73901000		"NUT-LOC,FLANGE LT"
56	108075X		FRONT AXLE
57	105653X		SUB= 130897
58	278H		FITTING- LT
59	65139		VALVE STEM LT

Ref #	Part Number	Qty	Description
60	59192		VALVE CAP
61	9040H		"FLANGE, BEARING"
62	106218X		WHEEL LT
63	106222X		SUB= 122073X
	59904		TUBE.5.3/4.5/6
64	73350600		NUT
65	108212X		TRUNION HYT
66	108213X		ROD-ADJ. CONTROL
67	108205X		"HYT, BELLCRANK"
68	108198X		SPACER HYT
69	74760624		SUB= 74930624
72	73930600		LOCKNUT
73	6855M		ZERK M
74	19252616		SUB= 121748X
75	5320R		INSUL CLIP T



ROPER YT 16 HYDROSTATIC YARD TRACTOR--MODEL NUMBERS YTH 160AR AND YTH 160AT TRANSAXLE

ALL TRANSAXLE PARTS MUST BE PURCHASED THROUGH AND SERVICE PERFORMED BY YOUR LOCAL TECUMSEH DEALER.



Ref #	Part Number	Qty	Description
1	778197		PINION, 10T
2	778198		GEAR BEVEL
3	786019		PIN DRIVE
4	786027		BLOCK DRIVE
5	774028A		CARRIER, DIFFERENTIAL
6	774029A		CARRIER, DIFFERENTIAL
7	778033A		GEAR, RING
8	774526		AXLE
9	774527		AXLE
10	780107		WASHER
11	780042		WASHER THRUST
12	792018		RING STRAP
13	792020		SCREW, 1/4-20 X 2-1/4
14	792006		WASHER LOCK 1/4
15	770052		CASE ASSY
16	780013		BEARING, NEEDLE
17	780088		BEARING, NEEDLE
18	772085		COVER ASSY
19	780089		BEARING, NEEDLE
20	782041A		HOUSING & BUSHING ASSY
21	780054		BUSHING
22	782042A		HOUSING & BUSHING ASSY
23	776207		SHAFT, BRAKE
24	788044		GASKET
25	778036		GEAR, OUTPUT
26	778083		GEAR, IDLER
27	778041		SHAFT, OUTPUT
28	786017		SPACER
29	780001		WASHER
30	780090		WASHER, THRUST
31	788008		SEAL, OIL
32	786026		PIN DOWEL
33	792046		SCREW
34	792122		PLUG
36	790027		DISK, BRAKE
37	790006		PAD BRAKE
38	790007		PLATE BRAKE PAD
39	790025		HOLDER BRAKE PAD
40	790017		LEVER, BRAKE
41	792076		WASHER, FLAT
42	792075		LOCKNUT 5/16-24
43	792073		SCREW, 1/4-20 X 1-1/4
43A	792085		SCREW FLNG HEX 1/4-20 X 2-1/4
44	786086		BRKT BRAKE LEVER
45	786066		SPACER