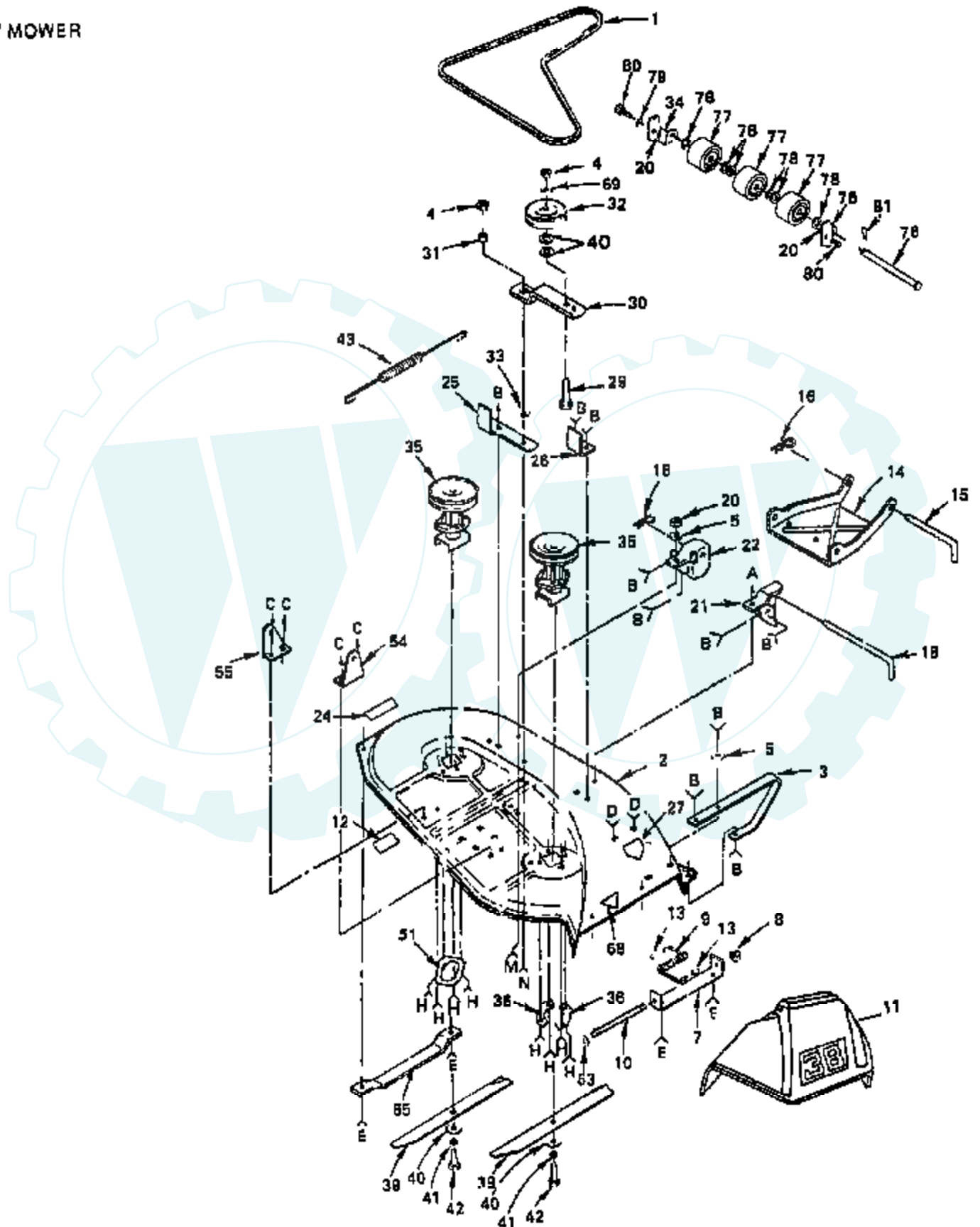


ROPER 14 H.P. TRACTOR - - MODEL NUMBER YT140DR

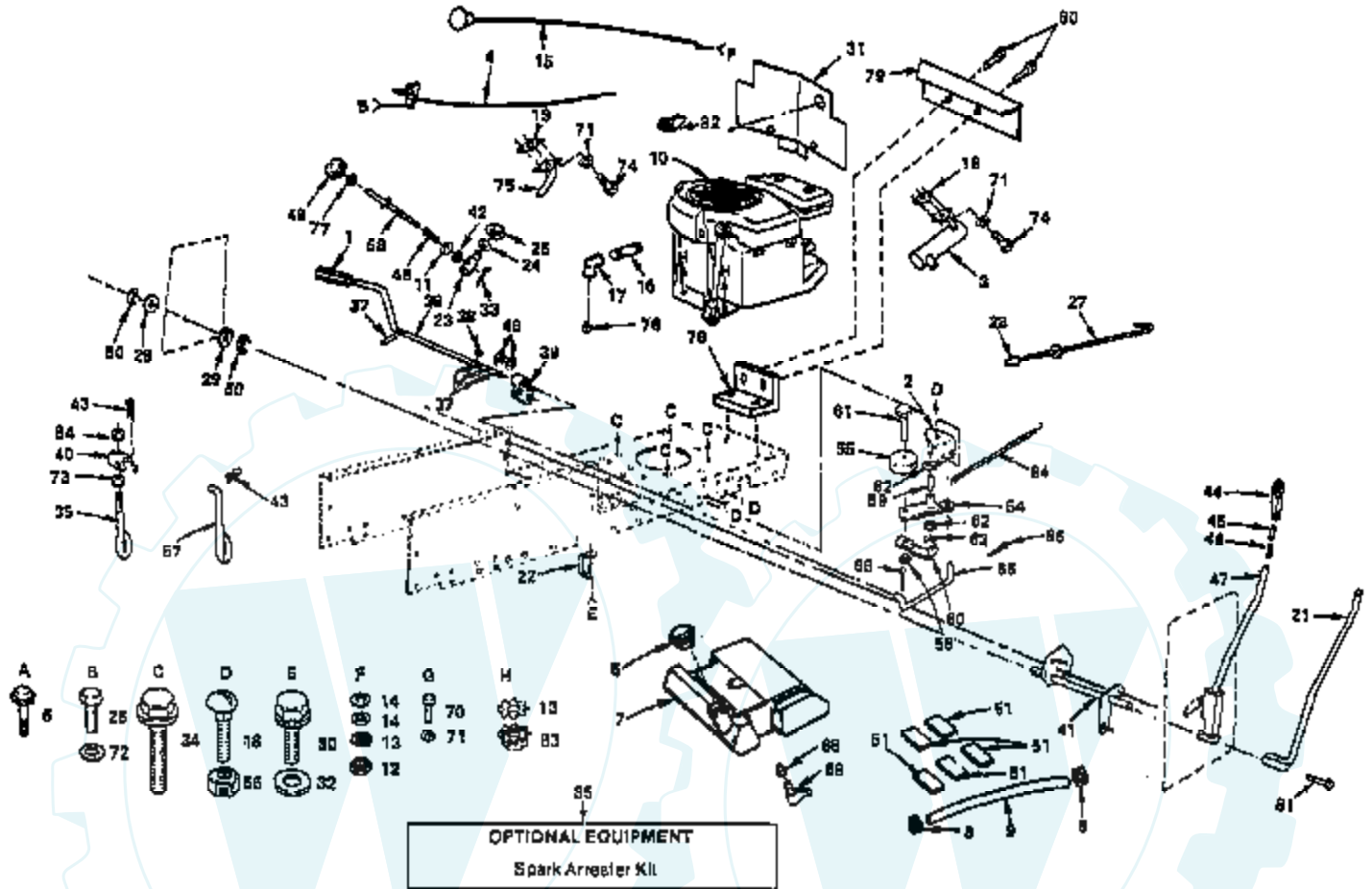
38" MOWER



Ref #	Part Number	Qty	Description
1	106085X		BELT-V.79.1.MWR
2	121458X		SUB= 144726
3	8417J		SUB= 128772
4	73680600		SUB= 73690600
5	19111216		WASHER M
7	105896X		SUB= 137607
8	110452X		NUT PUSH M
9	106734X		SUB= 123713X
10	106735X		ROD-HINGE T
11	106736X		DEFLECTOR-SHLD T
12	108682X		NLA
13	105304X		CAP-SLEEVE LT
14	105662X		LINK.PARALLEL
15	105744X		"ROD, FRT. PARAL T"
16	4921H		SPRING.RETAINER
18	109835X		HINGE PIN T
20	73680500		SUB= 73690500
21	109598X		BRACKET RH LT
22	109597X		BRACKET LH T
24	109820X		DECAL YT
25	109503X		SUPPORT ARM T
26	109504X		STOP T
27	120822X		DECAL
29	74760636		BOLT
30	108674X		SUB= 127162X
31	106902X		SPACER RETAINER
32	121316X		PULLEY IDLER
33	106513X		"WASHER, WEAR LT"
34	109646X		BRACKET LH T
35	121687X		"JACKSHAFT.38""LT"
36	100668L		SUPPORT PLATE LT
39	121263X		"BLADE.38"" HI-LI"
40	19131210		WASHER
41	10030600		SUB= 10040600
42	74610624		BOLT.3/8-24X1-1/2
43	102727X		"SPRING.EXT.8.5""
20	72140606		BOLT
51	110445X		SUPPORT T
54	105857X		"BRKT,SUSP RH T"
55	108673X		"BRKT,SUSP REAR LH"
63	19111016		WASHER
65	7631J		RUNNER-LH M
68	121349X		DECAL WARNING
69	19131316		WASHER
75	109647X		BRACKET RH T
76	109776X		PIVOT PIN T
77	109729X		ROLLER T
78	19151610		WASHER T
79	19151616		SUB= 19171616
80	74760512		BOLT
81	76020412		COTTER PIN

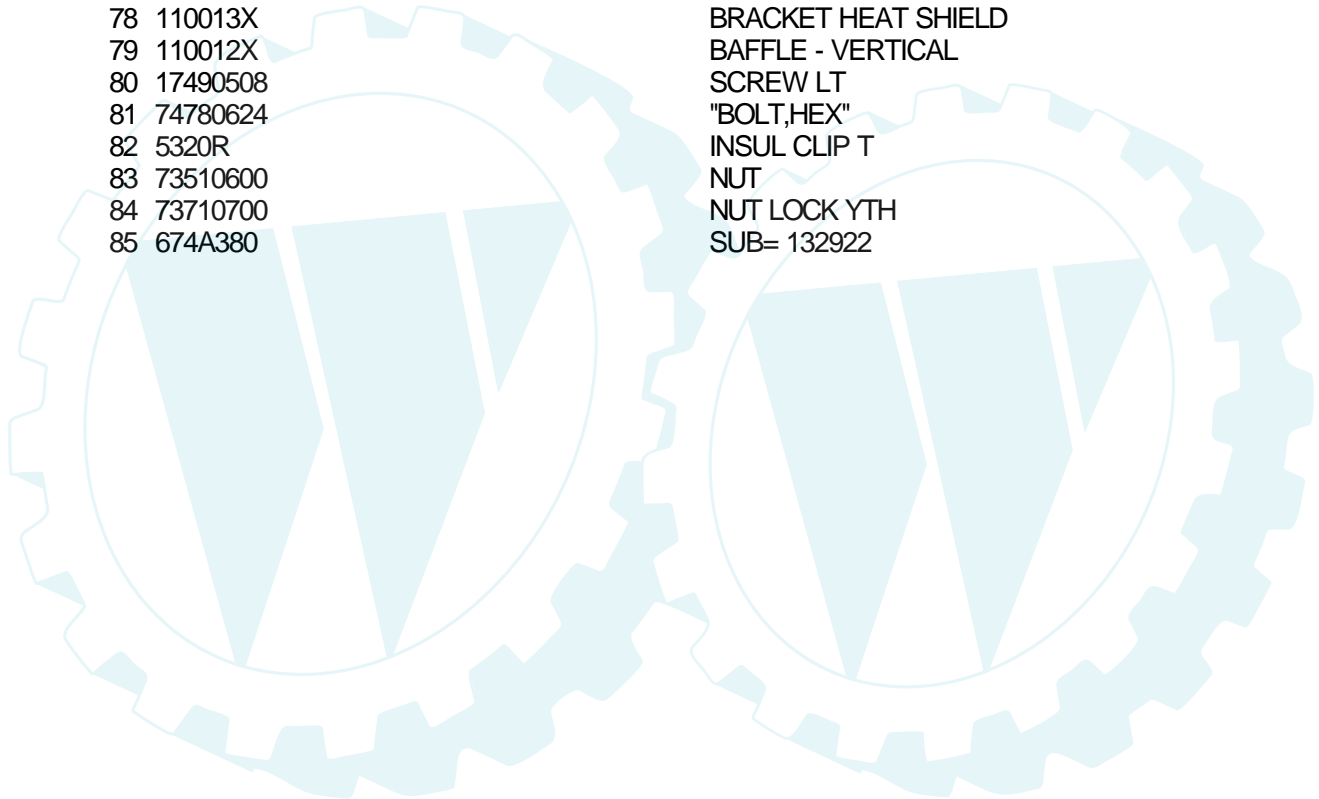
ROPER 14 H.P. TRACTOR -- MODEL NUMBER YT140DR

POWER & MECHANICAL CONTROLS GROUP



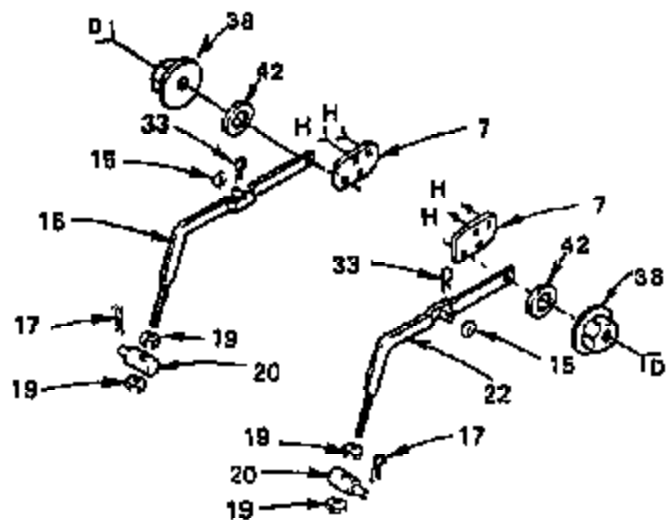
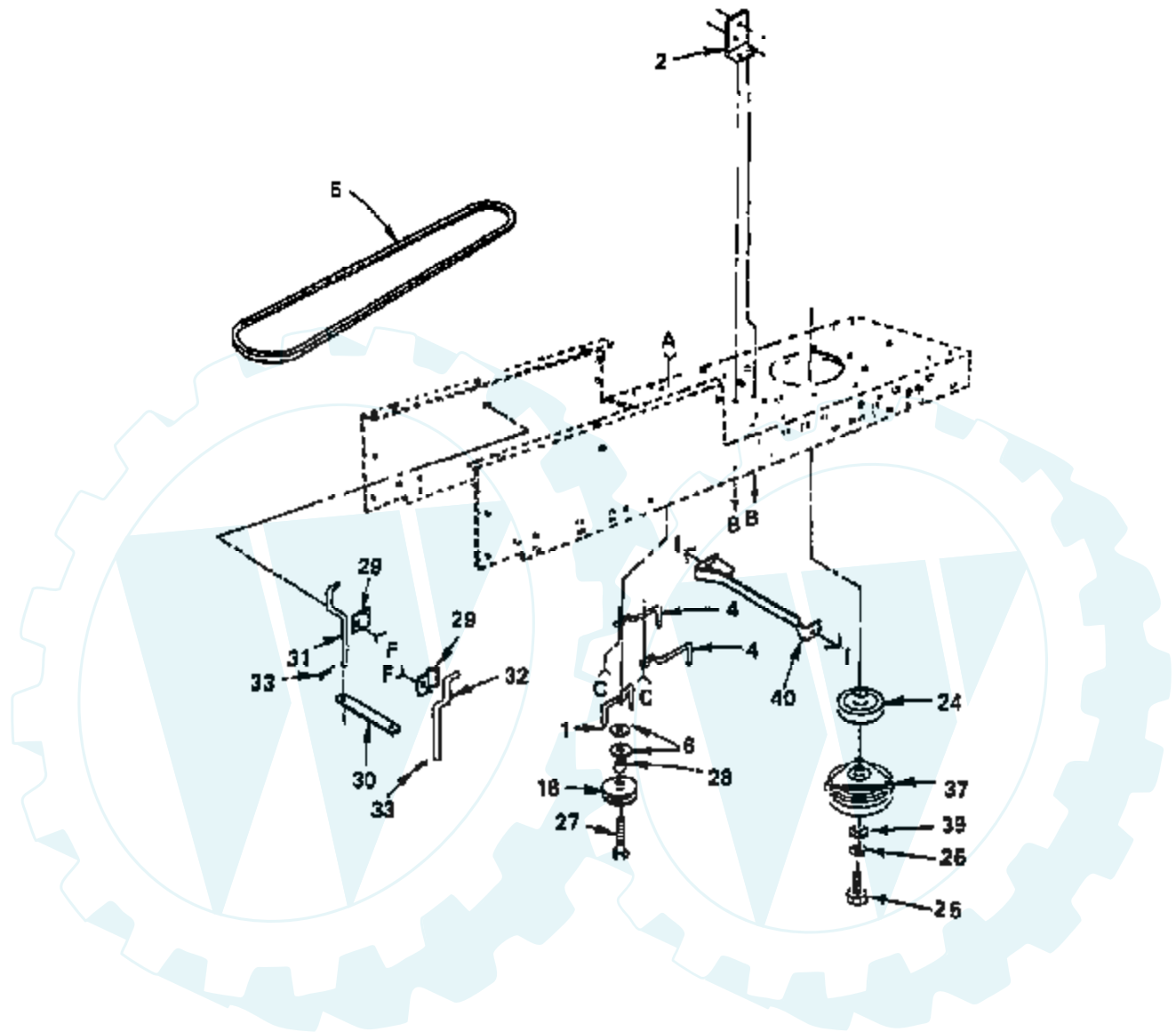
Ref #	Part Number	Qty	Description
1	8883R		PEDAL COVER T
2	105724X		SUB= 123102X
3	108373X		MUFFLER HYT
4	121523X		SUB= 532132748
5	121221X		SUB= 158990
6	17020806		SCREW
7	106020X		SUB= 151346
8	6999R		SUB= 123487X
9	5277J		SUB= 8543R
10	400707		ENGINE
11	19131016		WASHER
12	73610600		SUB= 7810H
13	11050600		LOCKWASHER
14	19131316		WASHER
15	122232X		SUB= 132778
16	13280336		PIPE NIPPLE LT
17	13200300		ELBOW
18	72140606		BOLT
19	8545J		SUB= 272250
21	121006X		LEVER ROD LT
22	104777X		SUB= 140312
23	110810X		TRUNION LT
24	19151216		WASHER
25	12000037		KLIP RING
26	17080408		SCREW
27	105844X		SUB= 125637X
28	71673		PLUNGER CAP T
29	19292016		WASHER
30	17490612		SCREW
31	104917X		BAFFLE YT
32	19131312		WASHER
33	76020308		SUB= 3145
34	17490624		SCREW LT
35	110448X		PIVOT PIN T
36	109037X		FOOT SHAFT PEDAL
37	1572H		SUB= 2882J
38	2228M		SUB= 2228M1
39	106918X		ARM BRAKE LT
40	110447X		SUB= 132793
41	121000X		SHAFT LIFT LT
42	110807X		NUT T
43	4939M		SUB= 85902
44	109413X		GRIP
45	105723X		SUB= 125925X
46	2876H		SPRING T
47	121002X		SUB= 123096X
48	121749X		WASHER
49	121891X		HDLE ADJ LIFT
50	12000022		E-RING
51	6431J		PAD-SPACER T
54	105707X		"ASS T, BELLCRAN"
55	106298X		SUB= 139245
56	73680600		SUB= 73690600
57	110029X		LIFT LINK LT
58	110729X		ROD LIFT LT
59	105706X		"LY, BEARING"
60	106499X		SUB= 123205X
61	74760624		SUB= 74930624

Ref #	Part Number	Qty	Description
62	110812X		WASHER LT
63	12000039		KLIP RING
64	105709X		"SPRING, RETURN LT"
65	105710X		"LINK, CLUTCH T"
66	76020412		COTTER PIN
68	3645J		BUSHING OUTLET T
69	8710J		FUEL TANK STEM GT
70	74780408		BOLT
71	10040400		LOCKWASHER
73	73360700		NUT
74	74780412		SUB= 74780414
75	100229L		EXHAUST TUBE T
76	91084		PLUG OIL DRAIN
77	73350600		NUT
78	110013X		BRACKET HEAT SHIELD
79	110012X		BAFFLE - VERTICAL
80	17490508		SCREW LT
81	74780624		"BOLT,HEX"
82	5320R		INSUL CLIP T
83	73510600		NUT
84	73710700		NUT LOCK YTH
85	674A380		SUB= 132922

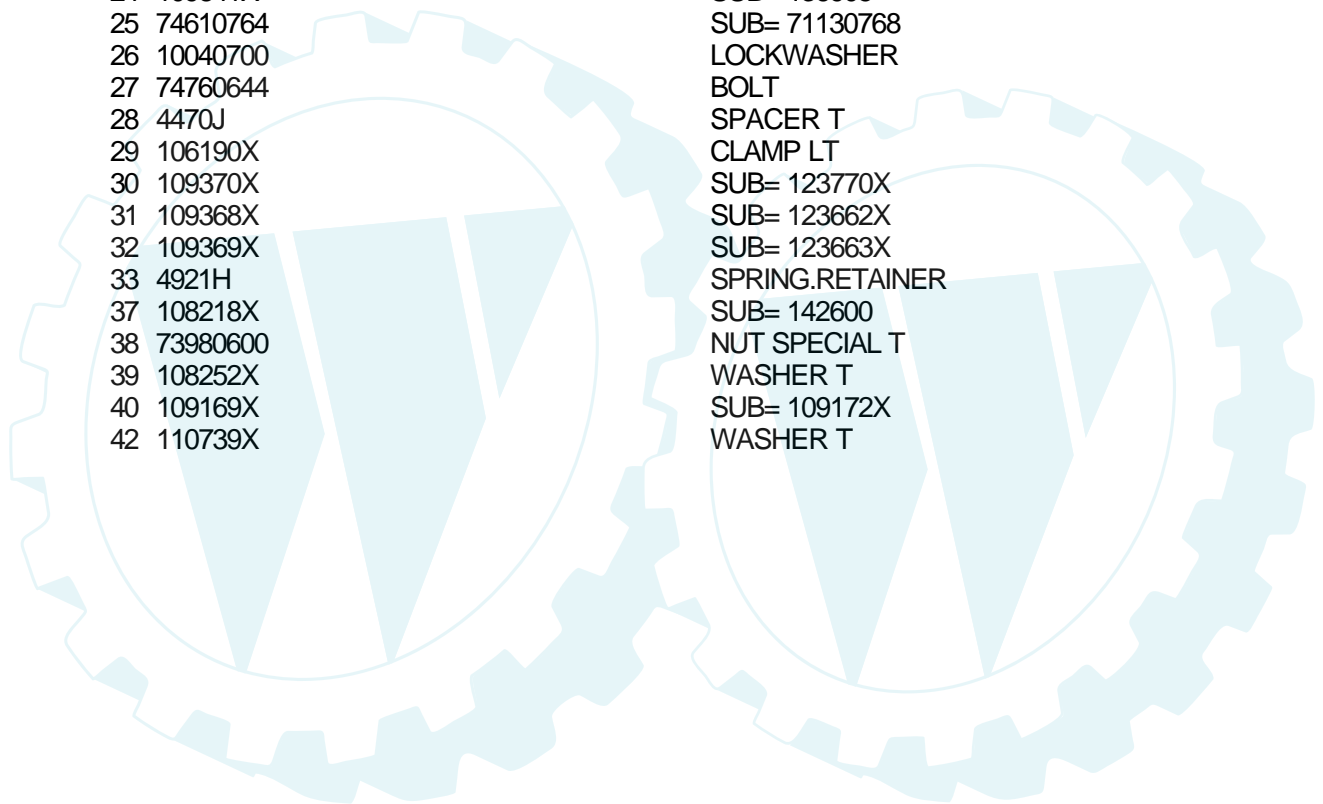


ROPER 14 H.P. TRACTOR - - MODEL NUMBER YT140DR

DRIVE GROUP

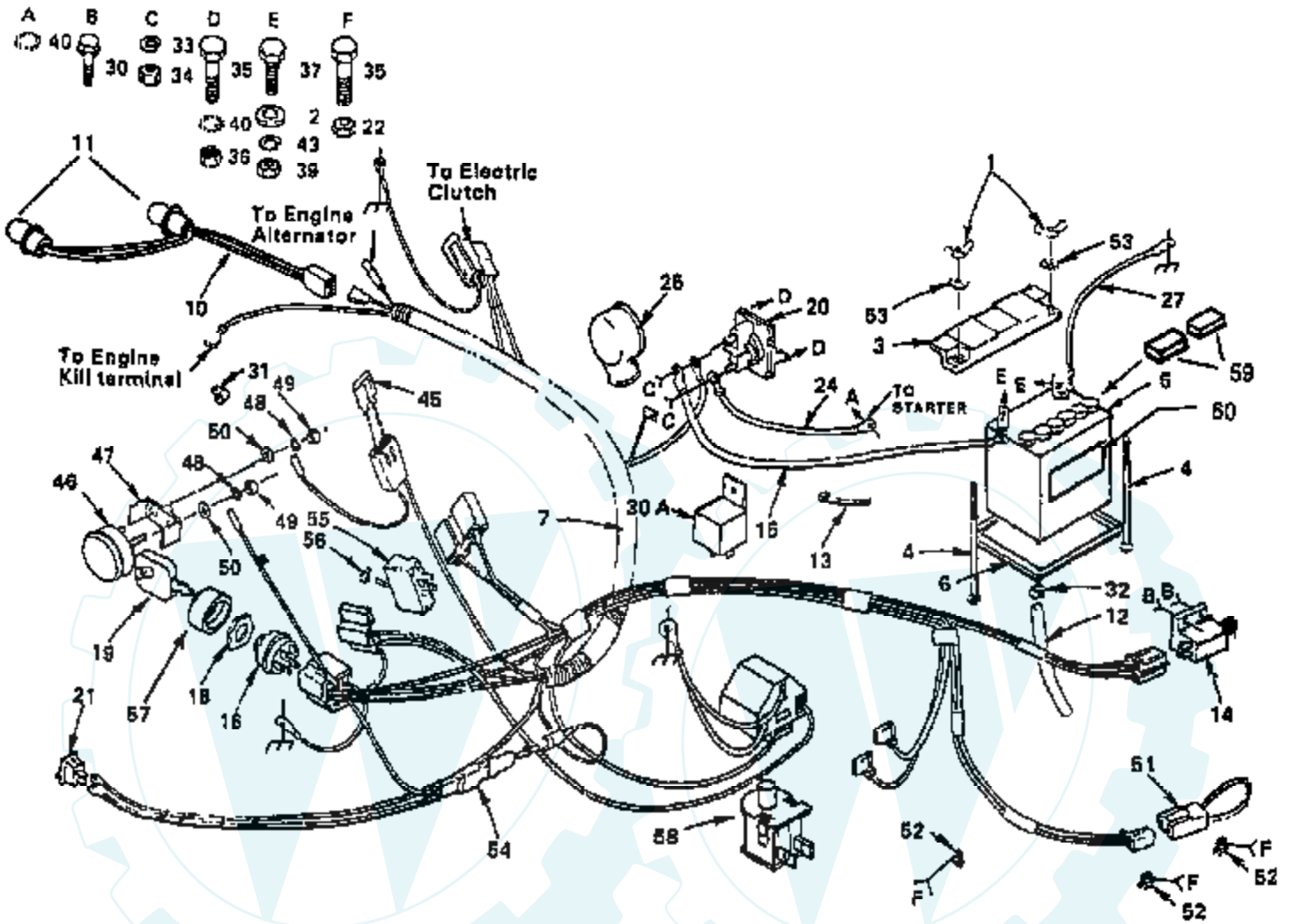


Ref #	Part Number	Qty	Description
1	109070X		BELT KEEPER LT
2	108236X		BRACKET LT
4	105730X		"KEEPER,BLT ENG LT"
5	120302X		SUB= 125907X
6	19131312		WASHER
7	105864X		"BRACKET, SUSPE T"
15	19171516		WASHER T
16	121599X		LH SUSP ARM ASM
17	9135R		SPRING H
18	4859J		SUB= 123674X
19	73220800		NUT
20	106308X		SUB= 130171
22	121598X		RH SUSP ARM ASM
24	109841X		SUB= 136905
25	74610764		SUB= 71130768
26	10040700		LOCKWASHER
27	74760644		BOLT
28	4470J		SPACER T
29	106190X		CLAMP LT
30	109370X		SUB= 123770X
31	109368X		SUB= 123662X
32	109369X		SUB= 123663X
33	4921H		SPRING.RETAINER
37	108218X		SUB= 142600
38	73980600		NUT SPECIAL T
39	108252X		WASHER T
40	109169X		SUB= 109172X
42	110739X		WASHER T



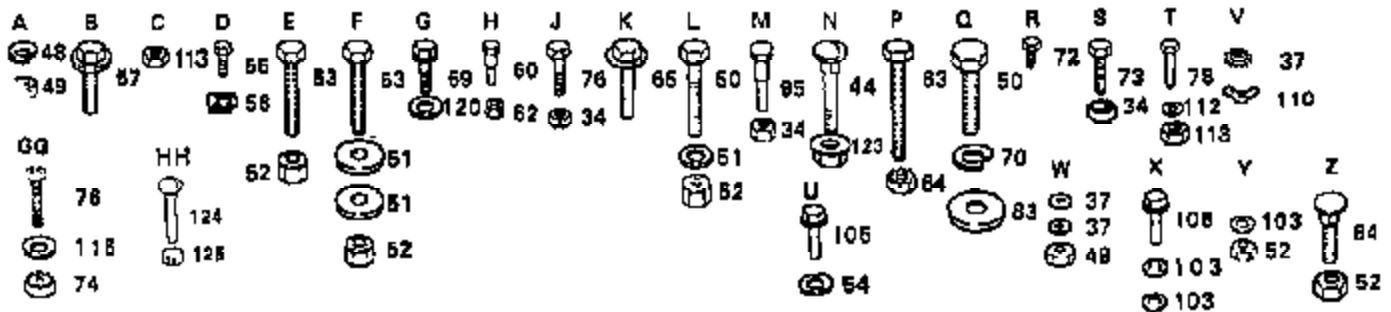
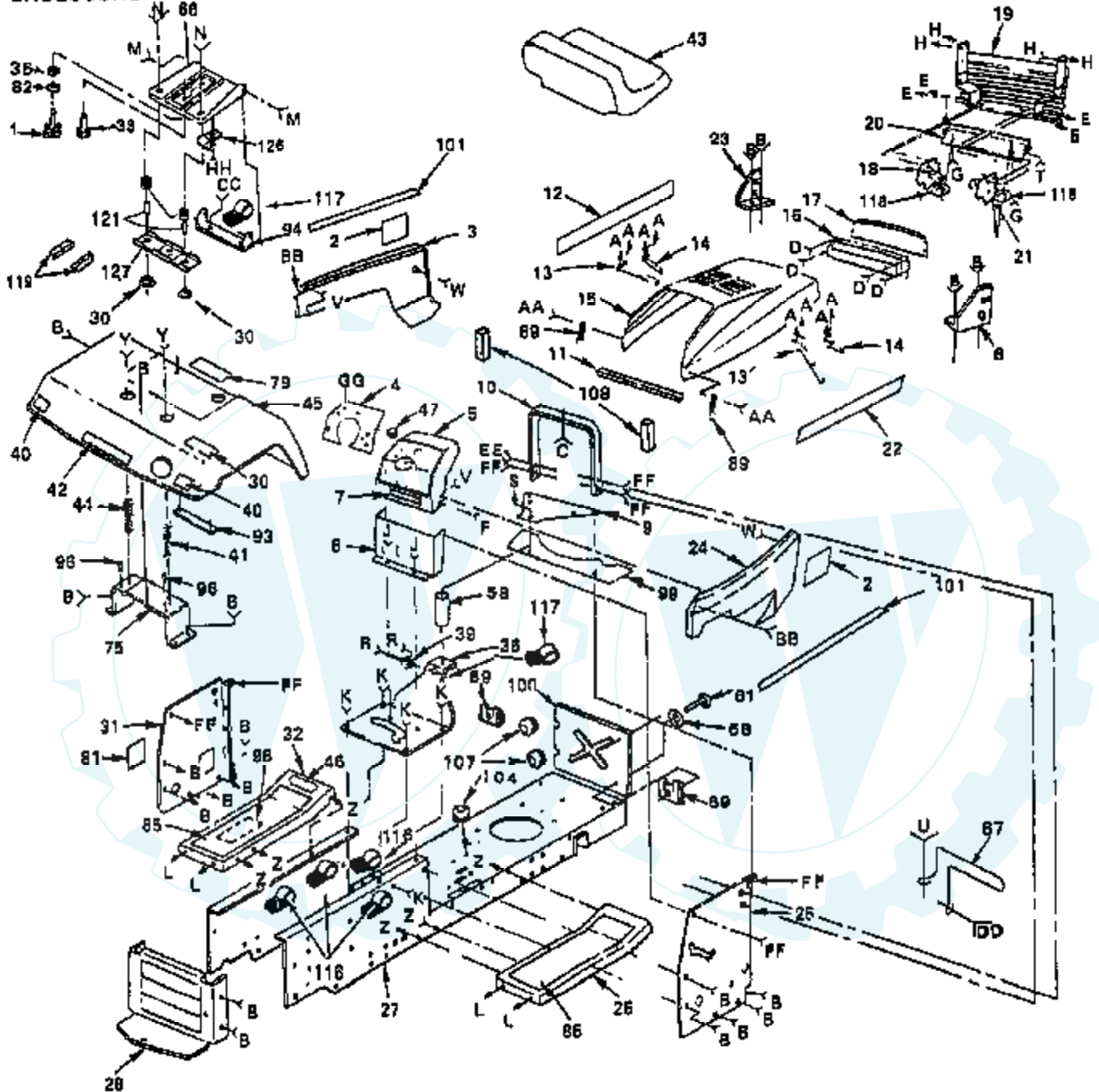
ROPER 14 H.P. TRACTOR - - MODEL NUMBER YT140DR

ELECTRICAL



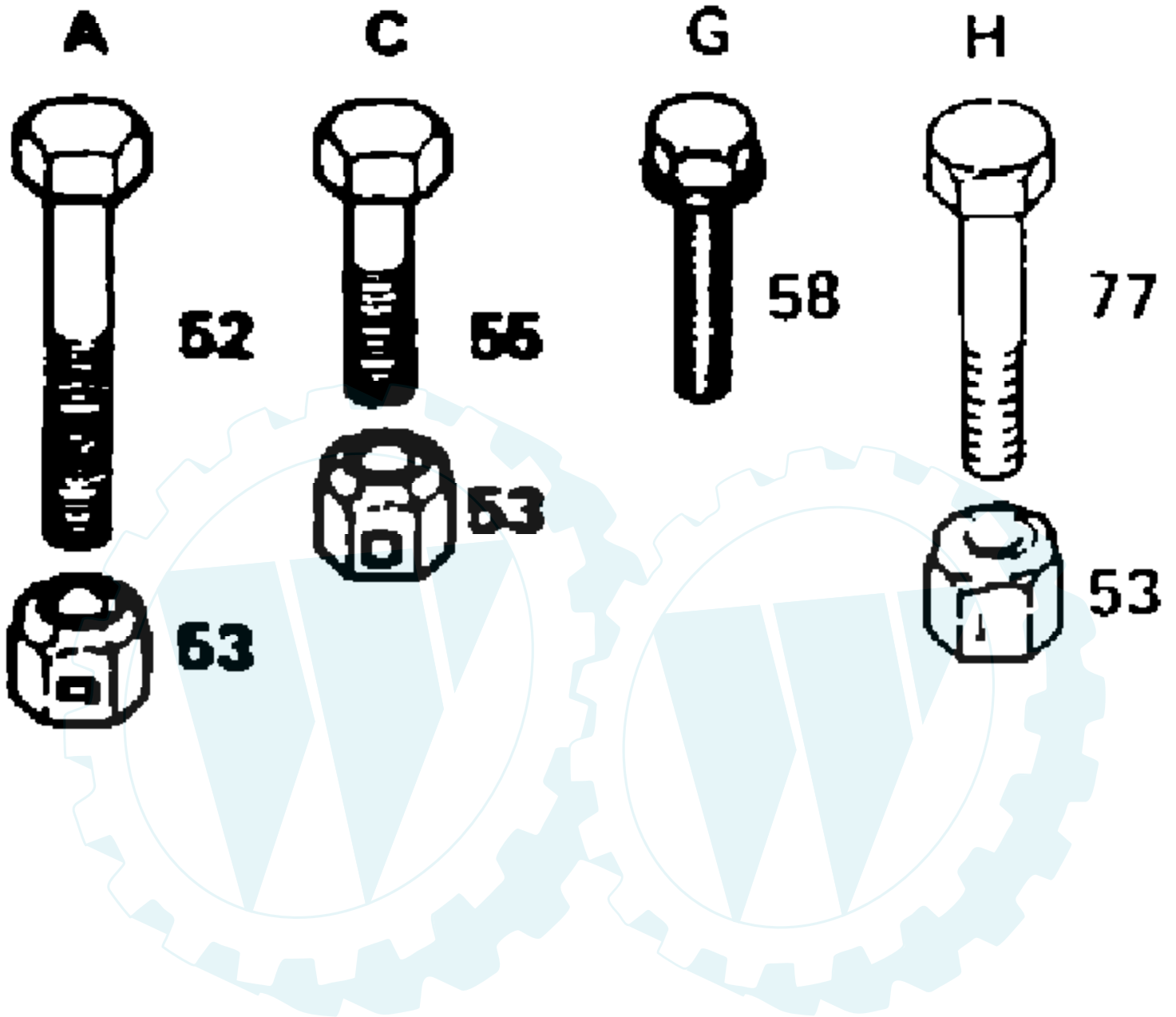
ROPER 14 H.P. TRACTOR - - MODEL NUMBER YT140DR

ENCLOSURES



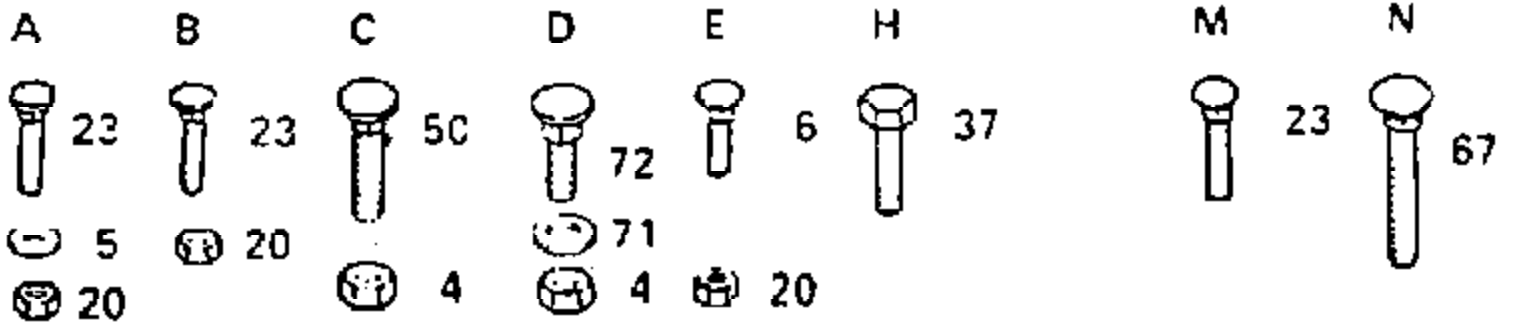
Ref #	Part Number	Qty	Description
1	120068X		"KNOB 1/2"" YT"
2	121680X		NLA
3	108372X388		SUB= 150302X505
4	121448X011		DASH PLATE
5	121312X		DASH
6	104805X		LOWER DASH
7	109821X		SUB= 138956
8	110853X		SUPPORT RH YTH
9	106965X		SUB= 140181
10	110829X		SUB= 124130X
11	109458X		FOAM STRIP T
12	121587X		NLA
13	106784X		SUB= 155013
14	104618X		SUB= 155013
15	108370X388		SUB= 150301X505
16	104613X		SUB= 147717
17	106395X		LENS LT
18	110855X		SUPPORT LH YTH
19	122100X		GRILL ASSY
20	105419X388		NLA
21	110854X		SUPPORT RH YTH
22	121588X		NLA
23	110852X		SUPPORT LH YTH
24	108371X388		SUB= 140679X505
26	105464X388		FOOTREST-R.H.
27	121277X		CHASSIS ASSY
28	121306X		SUB= 127866
30	121248X		BUSHING
31	105523X		DASH PANEL T
32	105465X388		FOOTREST LH YT
33	121144X		SUB= 127018X
34	73680500		SUB= 73690500
35	19151616		SUB= 19171616
36	108263X013		NLA
37	11030400		LOCKWASHER GT
39	1554J		SUB= 155108
40	106202X		REFLECTOR-TAIL YT
41	121067X		SPRING T
42	121586X		NLA
43	121442X		SUB= 140119
44	72170410		BOLT
45	121642X388		FENDER
46	101892X		DECAL T
47	5479J		PLUG BUTTON T
48	10090400		SUB= 10040400
49	73490400		SUB= 146525
50	74760612		SUB= 74780612
51	19131312		WASHER
52	73680600		SUB= 73690600
53	74760616		BOLT
54	19131616		WASHER HYT
55	17211010		SCREW LT
56	104755X		""J"" FASTENER LT"
57	17490612		SCREW
58	121236X		SPACER
59	17490512		SCREW
60	7605J		BOLT T
61	105751X		SUB= 123650X

Ref #	Part Number	Qty	Description
62	73680400		SUB= 73690400
63	74760620		SUB= 74780620
64	73510600		NUT
65	17490608		SCREW LT
66	121247X		SUB= 155925
67	108885X		GUARD MUFFLER HYT
68	105838X		RETAINER LT
69	105839X		RECEPTACLE LT
70	10040600		LOCKWASHER
72	17431008		SUB= 98000165
73	74760532		BOLT
74	73510500		NUT
75	105509X		SUB= 137113
76	74180512		SCREW
78	17190412		SCREW
79	120822X		DECAL
81	121794X		COVER ACCESS
82	19171720		WASHER
83	19131212		WASHER T
84	72140606		BOLT
85	109864X		SUB= 108256X
89	109808X		HOOD LATCH T
93	105511X		SUB= 140675
94	105513X		SUB= 140551
95	105529X		SUB= 139888
96	105531X		NUT-PUSH YT
98	109199X		SUB= 146046
99	109740X		REAR BAFFLE T
100	108105X		SUB= 133746
101	121589X		NLA
103	19131614		WASHER
104	9151R		SNAP BUSHING T
105	17490616		SCREW GTV
107	110436X		SUB= 9151R
108	109459X		STRIP - FOAM
110	73490400		SUB= 146525
112	19091216		WASHER PM
113	73220400		SUB= 50675
115	19111116		WASHER
116	5320R		INSUL CLIP T
117	2751R		CLIP T
118	19111212		WASHER
119	121251X		STRIP FORM
120	19111216		WASHER M
121	121249X		SPACER SPLIT
123	73900400		NUT T
124	74641008		SUB= 71031008
125	73951000		"NUT,KEPS"
126	4171R		CLIP T
127	121246X		BRKT SWITCH



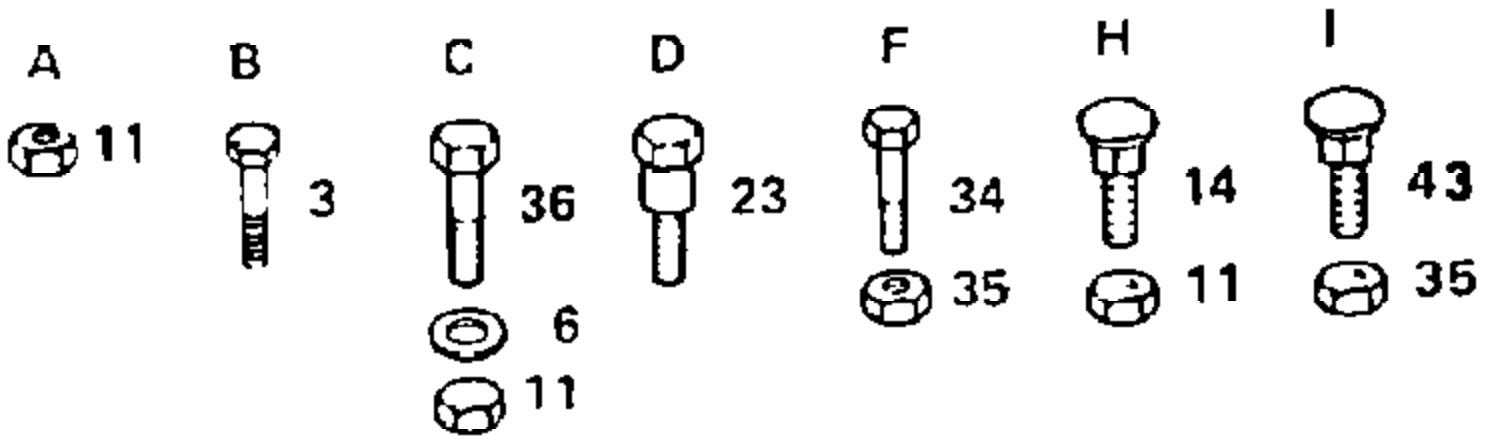
Ref #	Part Number	Qty	Description
52	74760644		BOLT
53	73680600		SUB= 73690600
55	74760612		SUB= 74780612
58	17490512		SCREW
77	74760616		BOLT





Ref #	Part Number	Qty	Description
4	73680600		SUB= 73690600
5	19111216		WASHER M
6	72140505		BOLT
20	73680500		SUB= 73690500
23	72140506		BOLT
37	17490612		SCREW
50	72140606		BOLT
67	72140610		BOLT.3/8-14X1.25
71	19141610		WASHER
72	72110606		BOLT

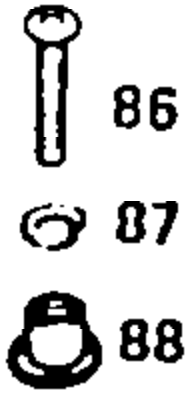




Ref #	Part Number	Qty	Description
3	17021008		SCREW
6	19131312		WASHER
11	73680600		SUB= 73690600
14	72140606		BOLT
23	105848X		"BOLT, SHOULDER LT"
34	74760512		BOLT
35	73680500		SUB= 73690500
36	74760616		BOLT
43	72140506		BOLT



AA



BB



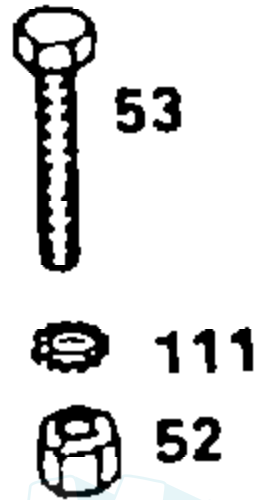
CC



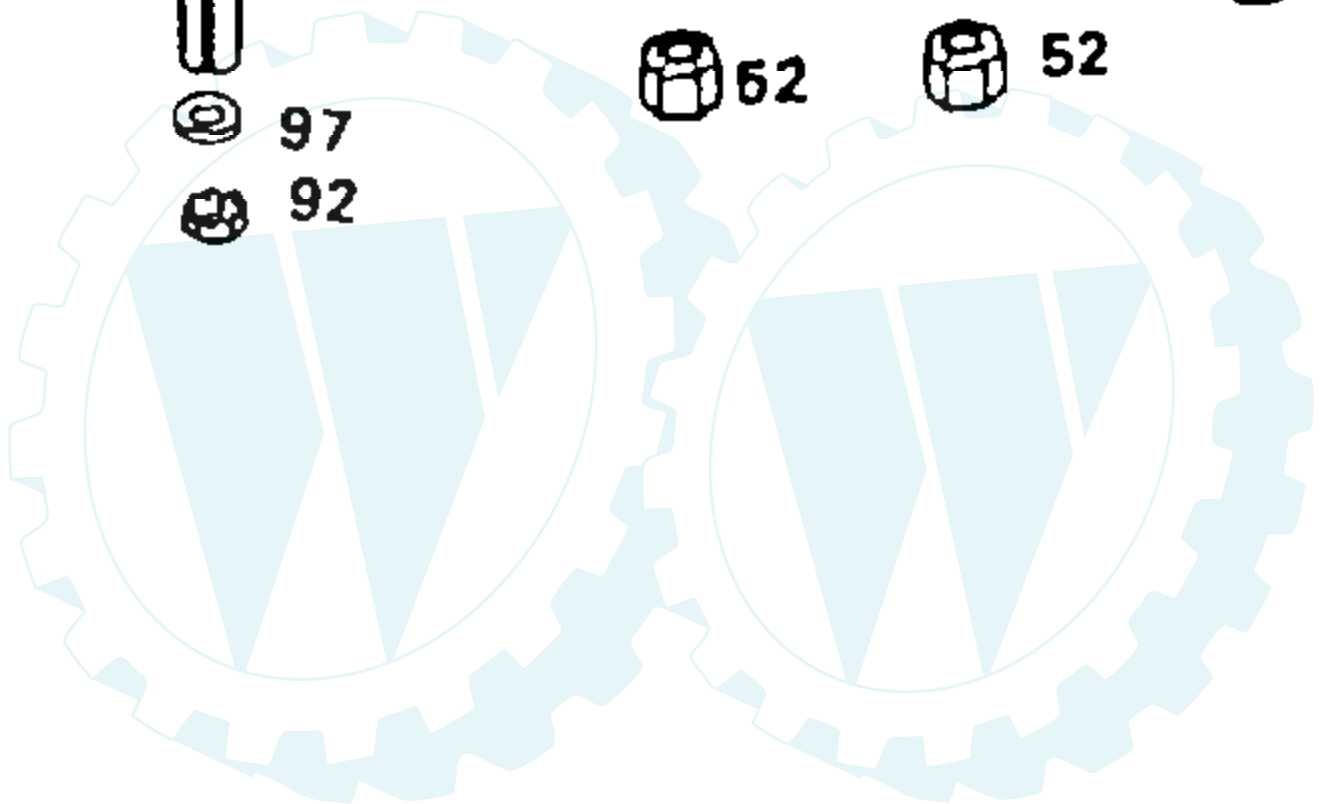
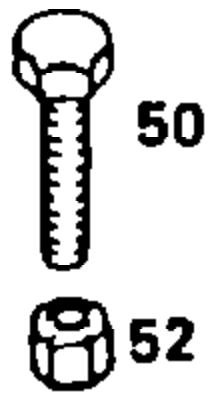
DD



EE



FF

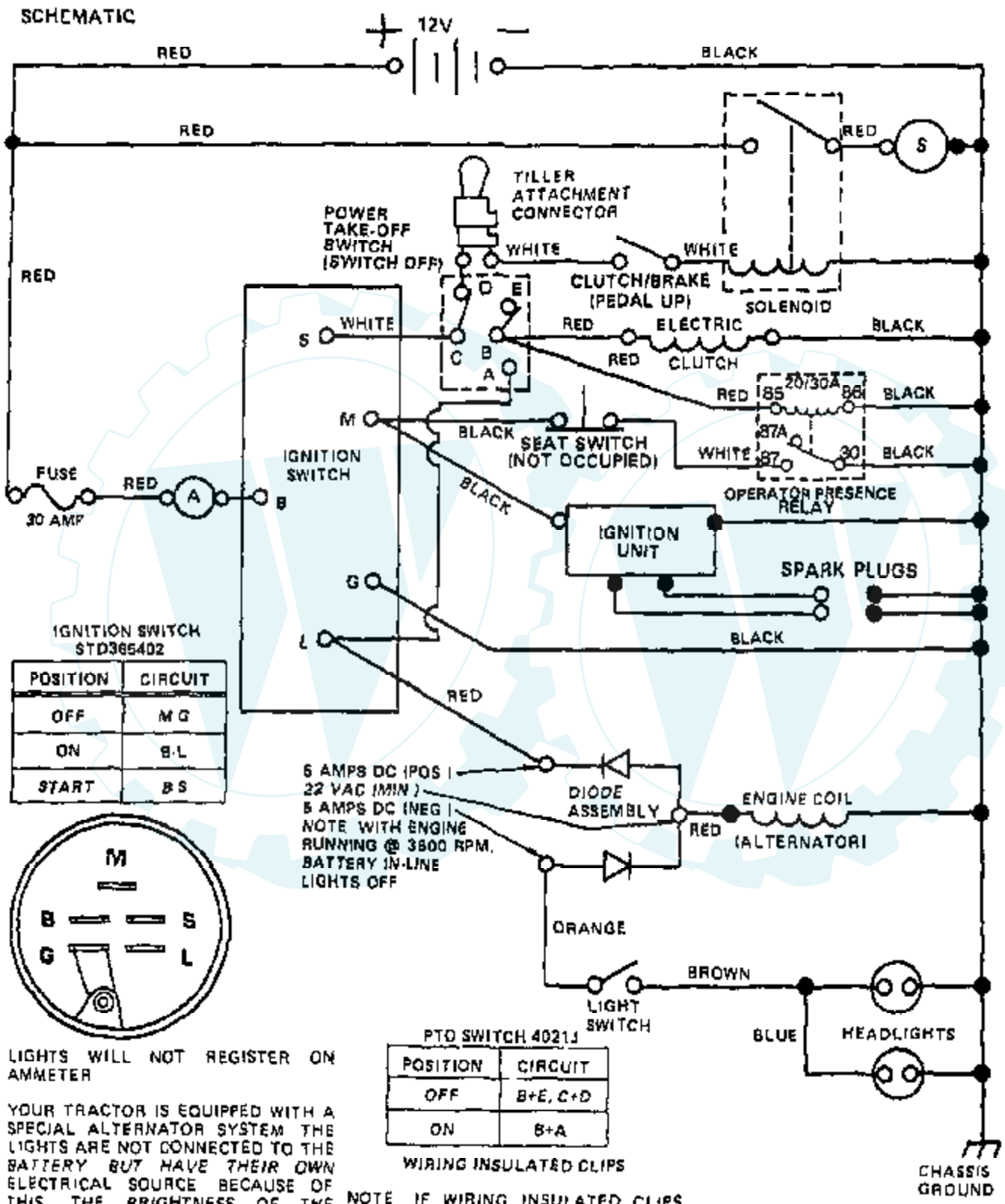


Ref #	Part Number	Qty	Description
50	74760612		SUB= 74780612
52	73680600		SUB= 73690600
53	74760616		BOLT
54	19131616		WASHER HYT
86	74191008		SCREW
87	10071000		LOCKWASHER
88	2029J		WELDNUT
90	74981020		SCREW
91	7206J		SPACER LT
92	73731000		NUT
97	19070818		WASHER
111	11050600		LOCKWASHER



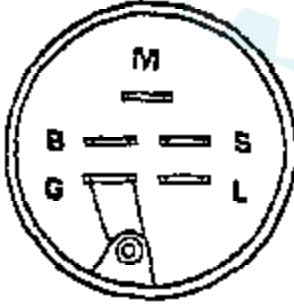
ROPER 14 H.P. TRACTOR - - MODEL NUMBER YT140DR

SCHEMATIC



IGNITION SWITCH STD365402

POSITION	CIRCUIT
OFF	M G
ON	B L
START	B S



PTO SWITCH 4021J

POSITION	CIRCUIT
OFF	B+E, C+D
ON	B+A

LIGHTS WILL NOT REGISTER ON AMMETER

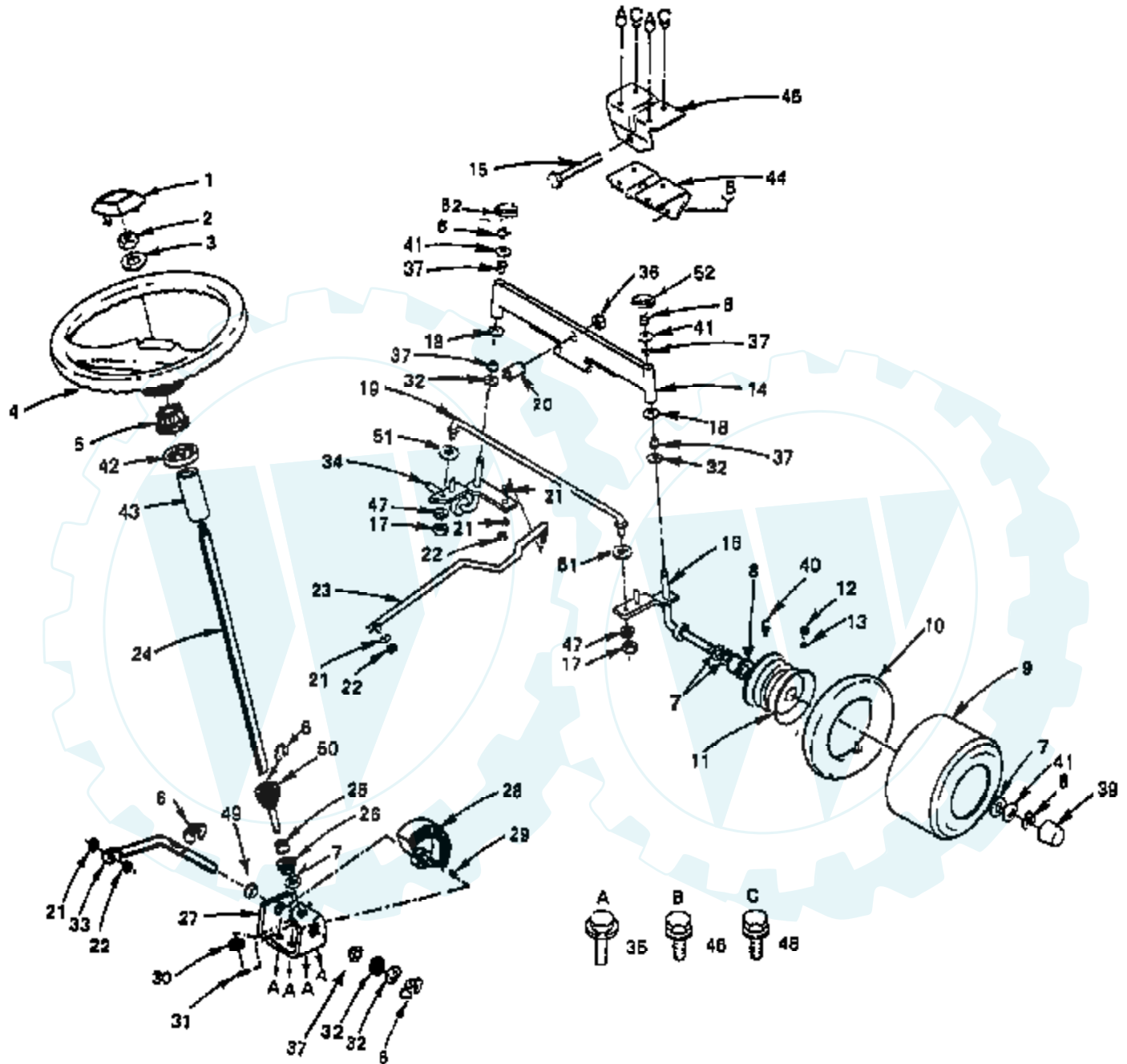
YOUR TRACTOR IS EQUIPPED WITH A SPECIAL ALTERNATOR SYSTEM THE LIGHTS ARE NOT CONNECTED TO THE BATTERY BUT HAVE THEIR OWN ELECTRICAL SOURCE BECAUSE OF THIS, THE BRIGHTNESS OF THE LIGHTS WILL CHANGE WITH THE ENGINE SPEED AT IDLE SPEED THE LIGHTS WILL DIM AS THE ENGINE IS SPEEDED UP, THE LIGHTS WILL BE COME THEIR BRIGHTEST

NOTE IF WIRING INSULATED CLIPS WERE REMOVED FOR SERVICING OF UNIT, THEY SHOULD BE REPLACED TO PROPERLY SECURE YOUR WIRING

- Non-removable connections
- Removable connections

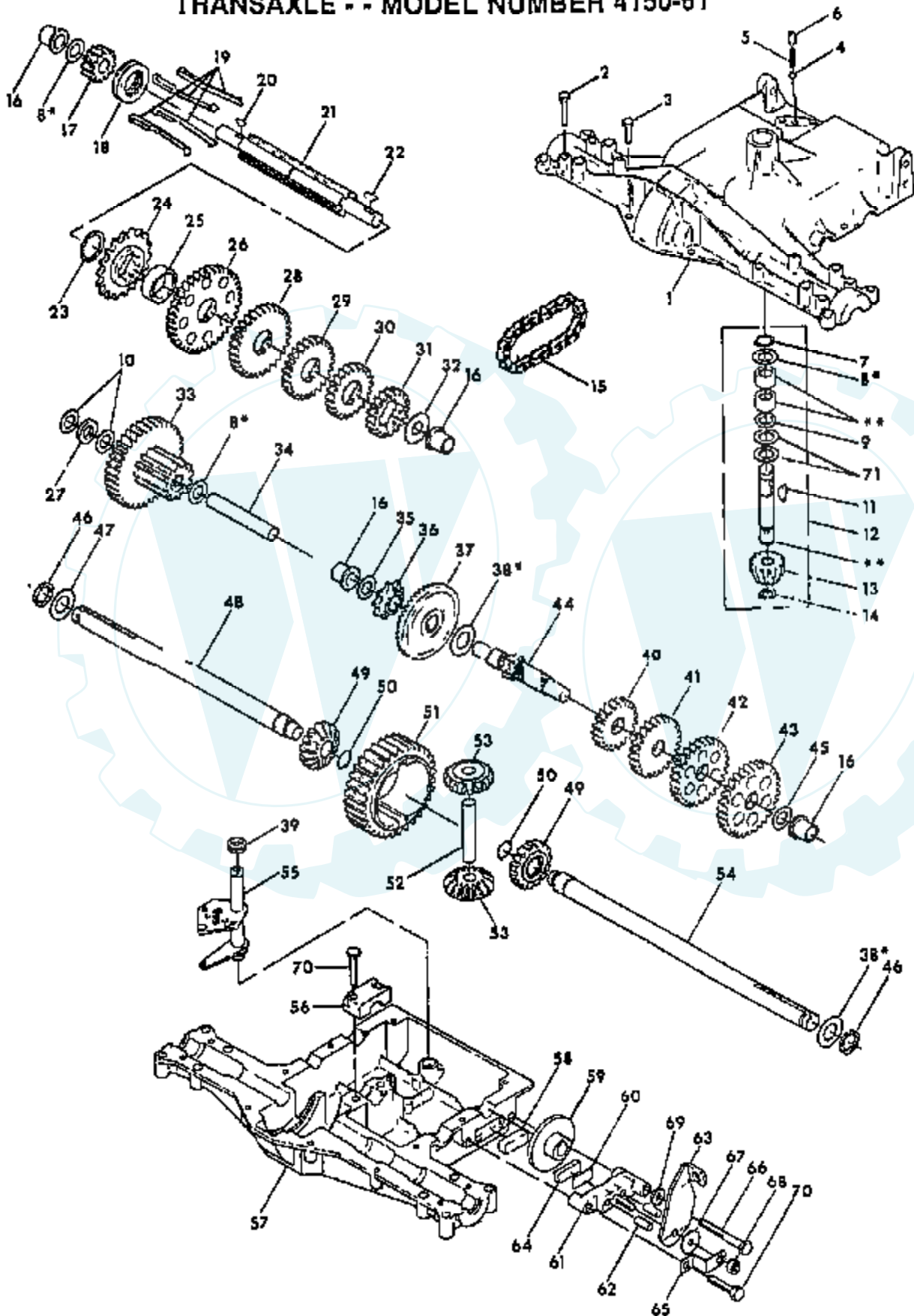
ROPER 14 H.P. TRACTOR - - MODEL NUMBER YT140DR

STEERING, FRONT AXLE AND WHEELS



Ref #	Part Number	Qty	Description
1	121584X		INSERT STEERING
2	73940800		SUB= 73360800
3	100712K		WASHER
4	121472X		SUB= 150546
5	100711L		ADAPTER LT
6	12000029		RING
7	121749X		WASHER
8	9040H		"FLANGE, BEARING"
9	106222X		SUB= 122073X
10	59904		TUBE.5.3/4.5/6
11	106732X		SUB= 106732X417
12	65139		VALVE STEM LT
13	59192		VALVE CAP
14	108075X		FRONT AXLE
15	74761060		BOLT LT
16	105654X		SUB= 130524
17	73810500		NUT.LOCK.5/16-24
18	19272016		WASHER
19	121334X		ROD TIE
20	110438X		BEARING
21	10040600		LOCKWASHER
22	73610600		SUB= 7810H
23	105727X		LINK-DRAG LT
24	109557X		STEERING SHAFT T
25	74580		SHAFT SPACER LT
26	71208		BUSHING
27	109432X		SUB= 110150X
28	108684X		GEAR.SECTOR.HYT
29	106126X		KEY-WOODRUFF LT
30	101930X		WASHER YTV
31	2882J		DRIVE PIN
32	6266H		WASHER .T
33	108683X		ROD STEERING T
34	105656X		SPINDLE-LH LT
35	17490612		SCREW
36	73901000		"NUT-LOC,FLANGE LT"
37	3366R		COL. SRTG. BEAR.
39	104757X		HUB CAP
40	278H		FITTING LT
41	121748X		WASHER
42	106943X		SPACER LT
43	106945X		TUBE YT
44	105664X		SUPPORT.SADDLE.FT
45	105663X		SUPPORT-SADDL T
46	17490508		SCREW LT
47	10040500		LOCKWASHER
48	17490616		SCREW GTV
49	109816X		NYLINER T
50	108685X		GEAR PINION T
51	19111216		WASHER M
52	121232X		CAP

ROPER 14 H.P. TRACTOR - - MODEL NUMBER YT140DR TRANSAXLE - - MODEL NUMBER 4150-61

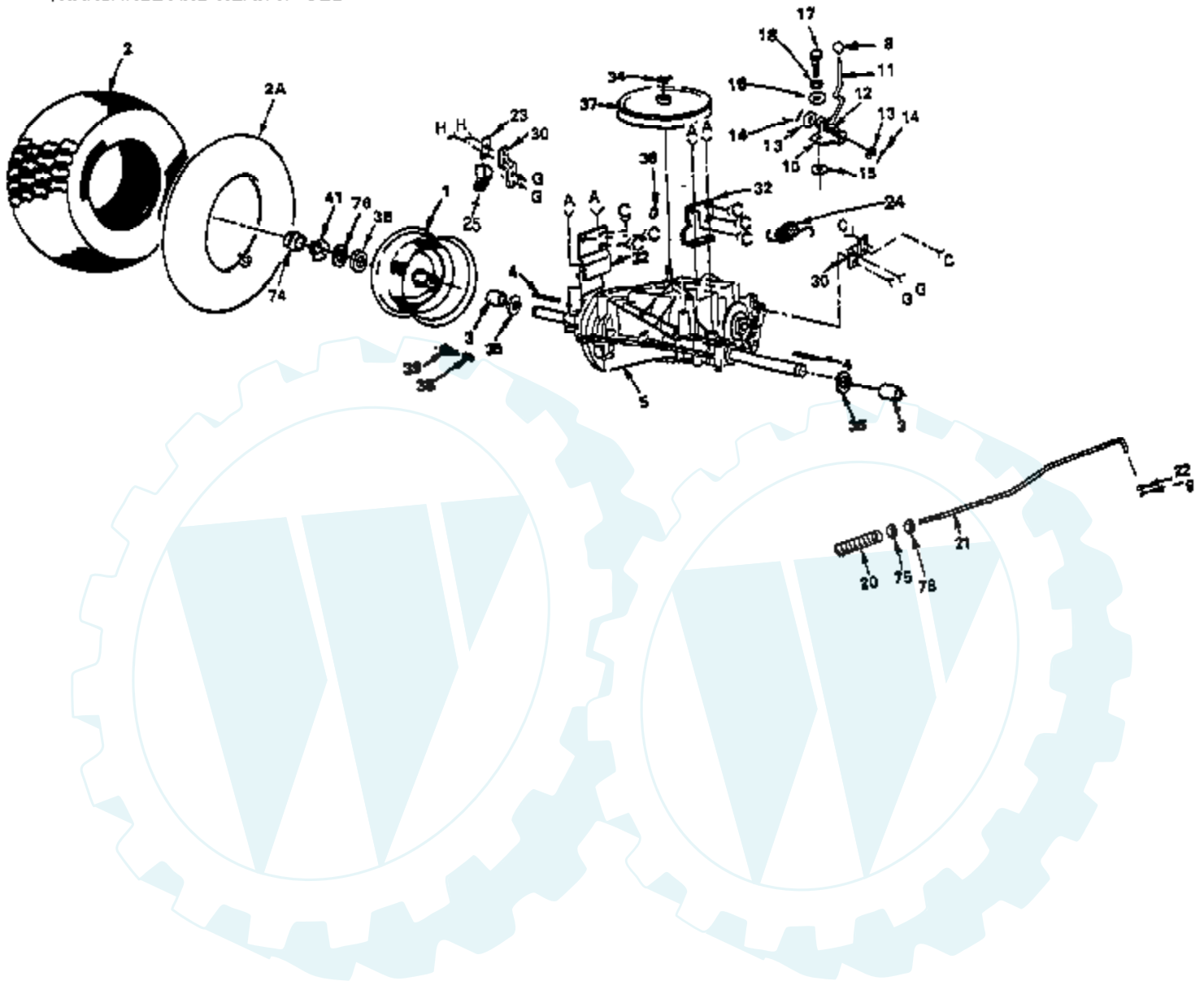


Ref #	Part Number	Qty	Description
1	3655-B		HOUSING, UPPER
2	1360		SCREW 1/4-20 X 1.31
3	3396		SCREW 1/4-20 X .875
4	1151		BALL DETENT
5	3626		SPRING, DETENT
6	3623		SCREW, SET
7	1099		RING RETAINING
8	1441		WASHER PLAIN
8	1423		WASHER, PLAIN .632 X 1.00 X .026
8	1082		WASHER PLAIN
8	1424		WASHER PLAIN
8	1068		WASHER PLAIN
8	1425		WASHER PLAIN
8	1358		WASHER PLAIN
8	1145		WASHER, PLAIN .632 X 1.00 X .060
8	1319		WASHER PLAIN
9	3312		O-RING
10	1425		WASHER PLAIN
11	1374		KEY WOODRUFF #9
12	4171		ASSY KIT INPUT SHAFT
13	3725		PINION BEVEL 14 TEETH
14	3624		RING, RETAINING
15	3625		CHAIN, 24 PITCHES
16	1542		BEARING, FLANGE
17	3709		GEAR, SPUR 14T
18	3631		COLLAR CLUTCH
19	3676		KEY, CLUTCH
20	1369		KEY WOODRUFF #3
21	3739		SHAFT, INTERMEDIATE
22	1375		KEY, WOODRUFF, #61
23	3627		RING, RETAINING
24	3640		SPROCKET, 18T
25	3841		SPACER
26	3787		GEAR, SPUR 40T
27	3422		SPACER .630 X 1.00 X .169
28	3785		GEAR, SPUR, 35 TEETH
29	3783		GEAR, SPUR, 25 TEETH
30	3869		GEAR, SPUR, 22 TEETH
31	3741		GEAR SPUR
32	3628		WASHER, PLAIN .640 X 1.37 X .061
33	4193		ASSY, GEAR, COMB., 12T & 35T
34	3918		SHAFT, IDLER
35	1959		WASHER PLAIN
36	3645		SPROCKET, 9 TEETH
37	3589		GEAR, BEVEL, 42 TEETH
38	3749		WASHER PLAIN
38	3652		WASHER PLAIN
38	3693		WASHER PLAIN
38	3653		WASHER PLAIN
38	3408		WASHER PLAIN
38	3732		WASHER PLAIN
38	3184		WASHER, PLAIN .758 X 1.25 X .031
38	3733		WASHER PLAIN
38	3198		WASHER PLAIN
38	3734		WASHER PLAIN
38	3735		WASHER PLAIN
38	3736		WASHER PLAIN
39	3180		WASHER PLAIN

Ref #	Part Number	Qty	Description
39	3789		V-RING
40	3707		GEAR SPUR, 15 TEETH
41	3719		GEAR, SPUR, 25 TEETH
42	3868		GEAR, SPUR, 28 TEETH
43	3683		GEAR, SPUR, 31 TEETH
44	3713		SHAFT, DRIVE
45	1145		WASHER, PLAIN .632 X 1.00 X .060
46	3191		SEAL FELT
47	3184		WASHER, PLAIN .758 X 1.25 X .031
48	3846		AXLE
49	3871		GEAR MITER 15 TEETH
50	3656		RING, RETAINING
51	3835		
52	3919		SHAFT, CROSS
53	3726		GEAR, MITER, 15 TEETH
54	3845		AXLE
55	4516		
56	3775		CAP, SUPPORT
57	3654-B		HOUSING, LOWER
58	3914		PUCK, FRICTION
59	3276		DISC, BRAKE
60	3758		SPACER
61	3916		JAW, BRAKE
62	3843		PIN, DOWEL
63	3768		LEVER, ACTUATING
64	3907		PUCK, FRICTION
65	3917		BRACKET, ANTI-ROTATION
66	3915		SCREW TAPPING
67	3760		WASHER, PLAIN .321 X 1.00 X .055
68	3847		LOCKNUT 5/16-24
69	3906		WASHER PLAIN
70	3724		SCREW TAPPING
71	3876		WASHER, PLAIN .632 X 1.38 X .046
72	4300		GREASE
			REFER TO IMAGE
			REFER TO IMAGE

ROPER 14 H.P. TRACTOR -- MODEL NUMBER YT140DR

TRANSAXLE AND REAR WHEEL



Ref #	Part Number	Qty	Description
1	106108X		SUB= 106108X417
2	106268X		SUB= 122074X
2A	7152J		TUBE.18X9.5-8
3	109502X		SPACER LT
4	2703J		SUB= 123583X
5	4150-61		TRANSAXLE
8	121274X		KNOB.DUCKHEAD.1/2
9	76020412		COTTER PIN
10	106919X		PLATE SHIFT LT
11	105699X		SUB= 110458X
12	105700X		SPRING LT
13	19151216		WASHER
14	76020416		PIN COTTER 1/8
15	105701X		WASH-SHFT PLT LT
16	19091210		WASHER LT
17	71040412		SUB= 74550412
18	10040400		LOCKWASHER
20	106888X		SPRING ROD LT
21	110437X		BRAKE ROD LT
22	19131316		WASHER
23	106157X		PLATE-STRAP LT
24	110422X		SUB= 146682
25	2751R		CLIP T
30	105842X		"STRAP, TORQUE LT"
32	109167X		BRACKET LT
34	12000028		SUB= 2267J
35	121749X		WASHER
36	2228M		SUB= 2228M1
37	105703X		SUB= 125478X
38	59192		VALVE CAP
39	65139		VALVE STEM LT
41	12000001		E-RING LT
74	104757X		HUB CAP
75	73680600		SUB= 73690600
76	121748X		WASHER
78	73350600		NUT