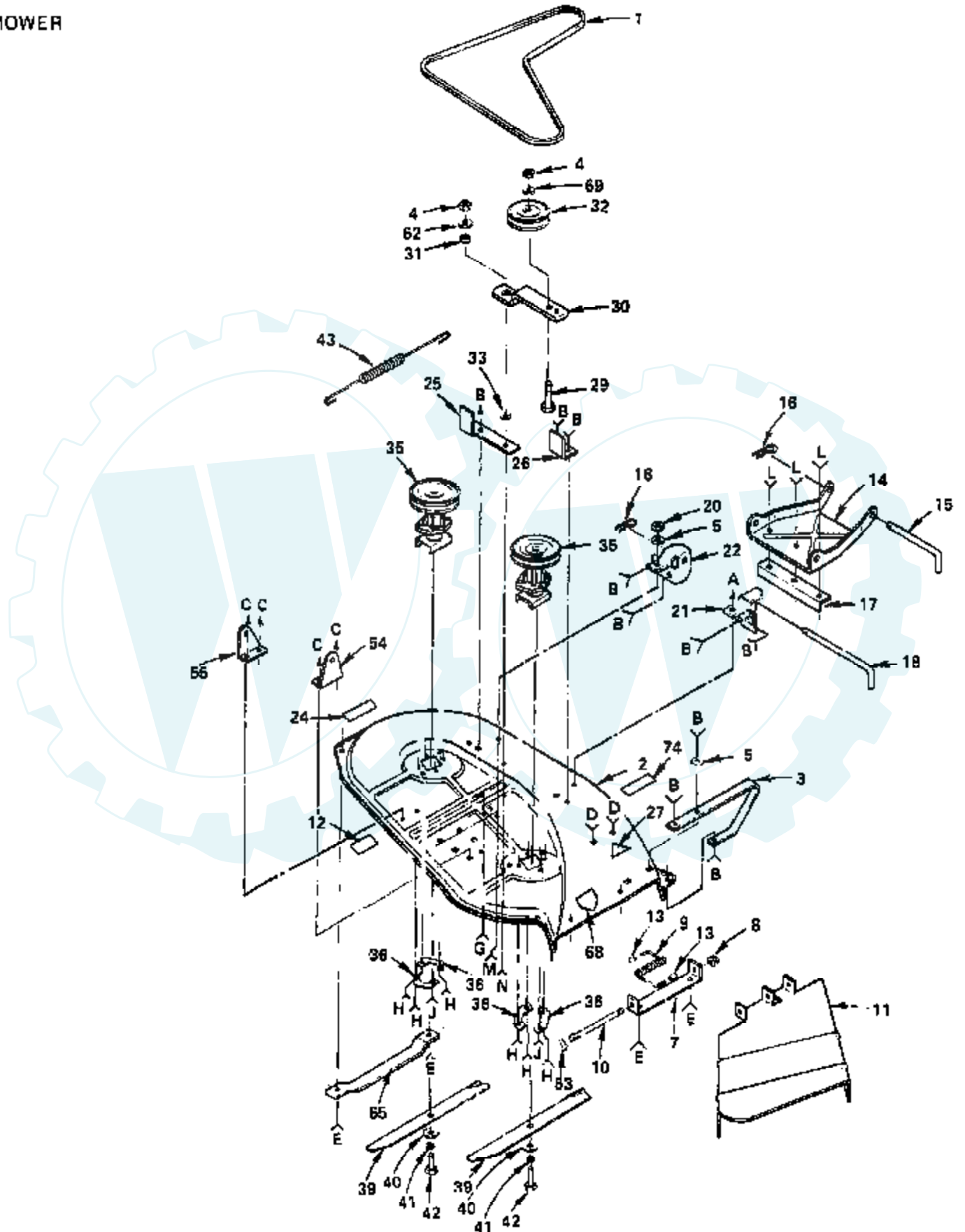


ROPER YT 14 TRACTOR--MODEL NUMBER YT140AR

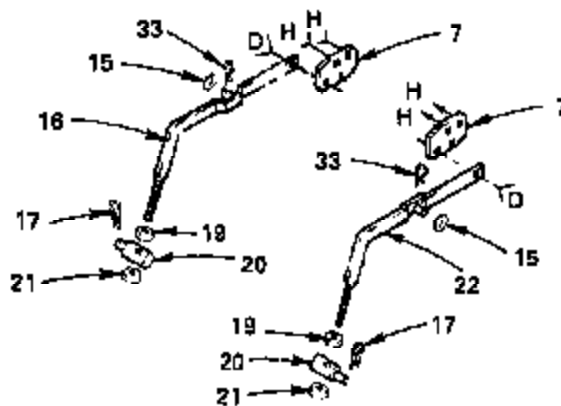
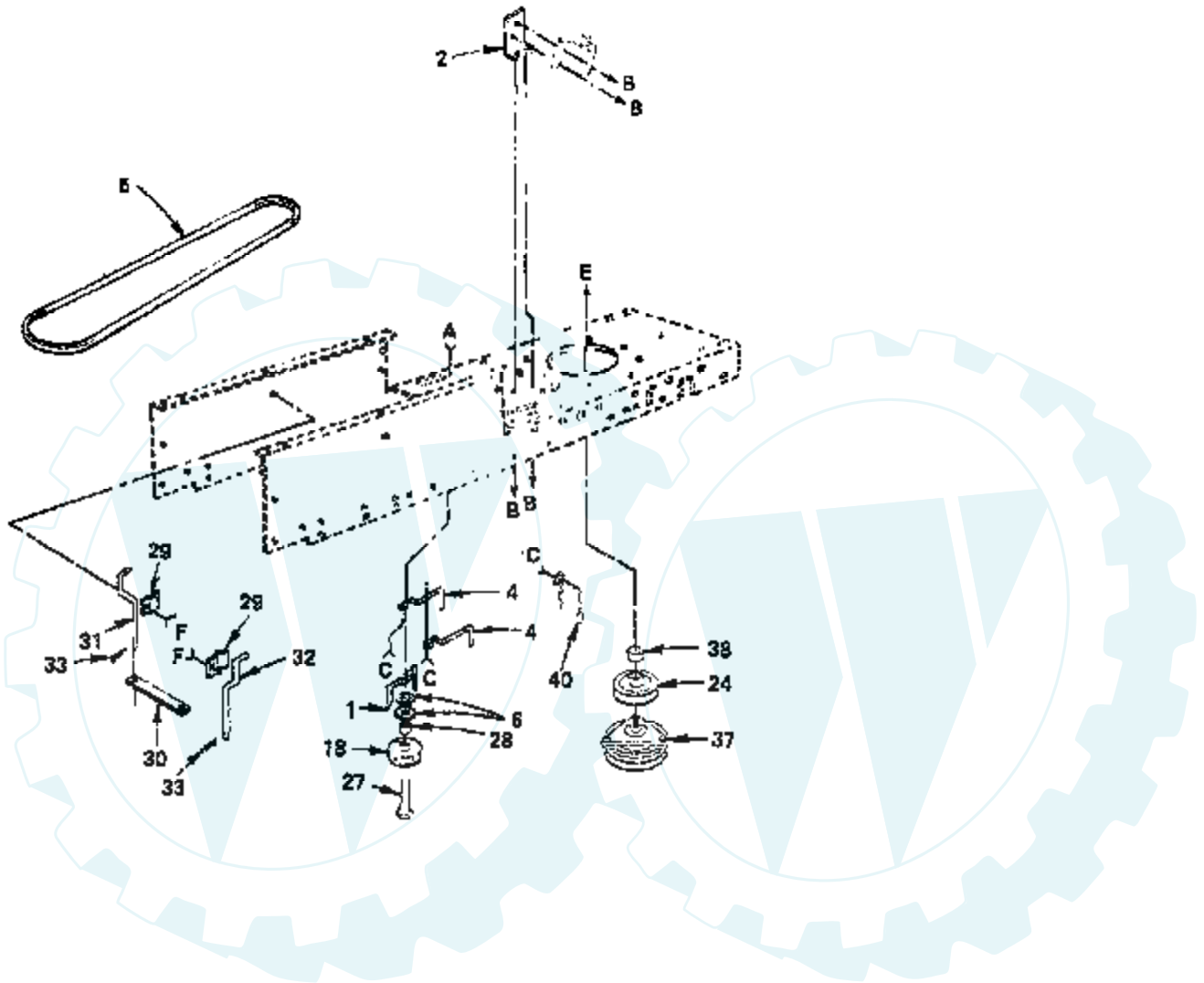
38" MOWER



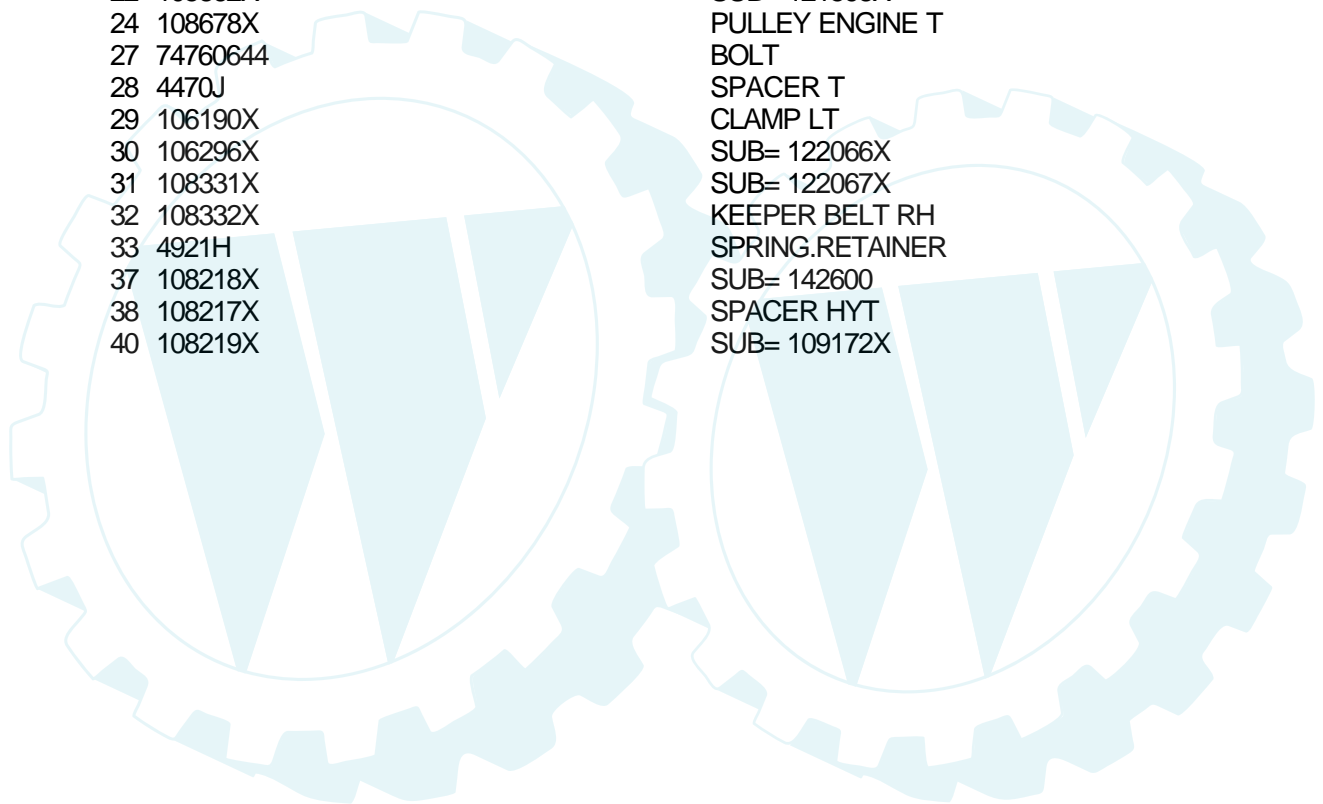
Ref #	Part Number	Qty	Description
1	106085X		BELT-V.79.1.MWR
2	108671X		SUB= 144726
3	8417J		SUB= 128772
4	73680600		SUB= 73690600
5	19111216		WASHER M
7	105896X		SUB= 137607
8	5846R		SUB= 110452X
9	106734X		SUB= 123713X
10	106735X		ROD-HINGE T
11	106736X		DEFLECTOR-SHLD T
12	108682X		NLA
13	105304X		CAP-SLEEVE LT
14	105662X		LINK.PARALLEL
15	105744X		"ROD, FRT. PARAL T"
16	3146R		RETAINER.SPRING
17	105872X		LINK STOP
18	105743X		SUB= 109835X
20	73680500		SUB= 73690500
21	105659X		SUB= 110095X
22	105660X		SUB= 109597X
24	3713J		DECAL INSTRUCTION CAUTION
25	106295X		SUB= 109503X
26	105850X		SUB= 109504X
27	106975X		DECAL - SAFETY STANDARD
29	74760632		SUB= 74930632
30	108674X		SUB= 127162X
31	106902X		SPACER RETAINER
32	102403X		IDLER-FLAT T
33	106513X		"WASHER, WEAR LT"
35	105891X		SUB= 121687X
36	100668L		SUPPORT PLATE LT
39	106634X		SUB= 25036
40	19132012		WASHER
41	10040600		LOCKWASHER
42	74610624		BOLT.3/8-24X1-1/2
43	102727X		"SPRING.EXT.8.5""
54	105857X		"BRKT,SUSP RH T"
55	108673X		"BRKT,SUSP REAR LH"
62	106514X		SUB= 106902X
63	19111016		WASHER
65	7631J		RUNNER-LH M
68	78850		SUB= 85463
69	19141614		WASHER
74	106679X		DECAL.WARNING.T

ROPER YT 14 TRACTOR--MODEL NUMBER YT140AR

DRIVE GROUP



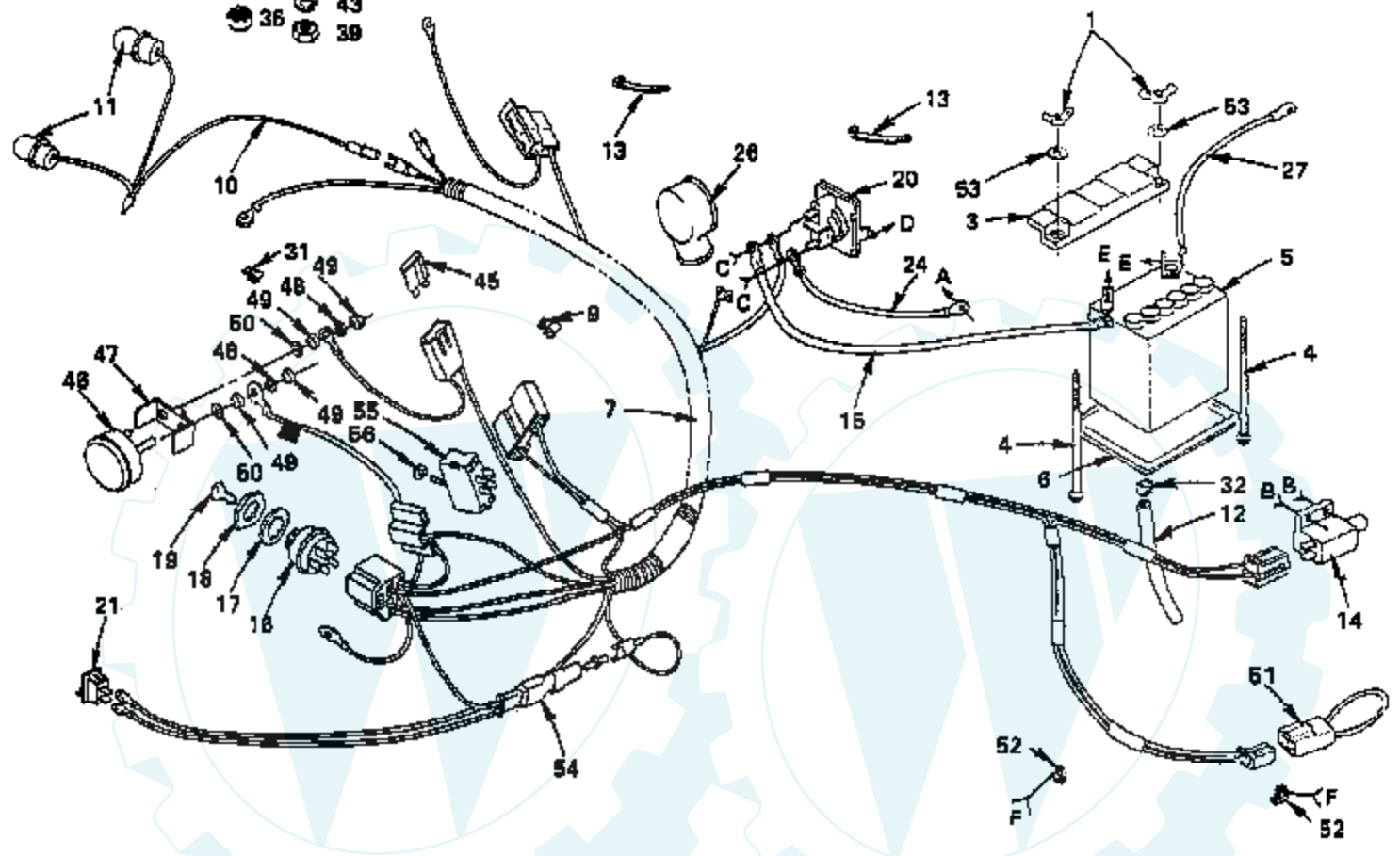
Ref #	Part Number	Qty	Description
1	106191X		SUB= 109070X
2	108236X		BRACKET LT
4	105730X		"KEEPER,BLT ENG LT"
5	105876X		SUB= 125908X
6	19131312		WASHER
7	105864X		"BRACKET, SUSPE T"
15	19171616		WASHER
16	105863X		SUB= 121599X
17	9135R		SPRING H
18	4859J		SUB= 123674X
19	73220800		NUT
20	106308X		SUB= 130171
21	73680800		NUT LTV
22	105862X		SUB= 121598X
24	108678X		PULLEY ENGINE T
27	74760644		BOLT
28	4470J		SPACER T
29	106190X		CLAMP LT
30	106296X		SUB= 122066X
31	108331X		SUB= 122067X
32	108332X		KEEPER BELT RH
33	4921H		SPRING.RETAINER
37	108218X		SUB= 142600
38	108217X		SPACER HYT
40	108219X		SUB= 109172X



ROPER YT 14 TRACTOR--MODEL NUMBER YT140AR

ELECTRICAL

- | | | | | | |
|----|----|----|----|----|----|
| A | B | C | D | E | F |
| 40 | 30 | 33 | 34 | 35 | 37 |
| | | | | 2 | 22 |
| | | | | 43 | 39 |
| | | | | 36 | |

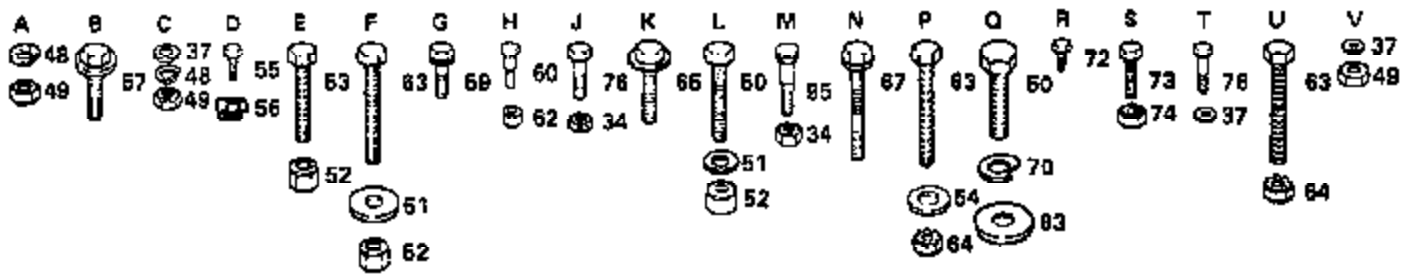
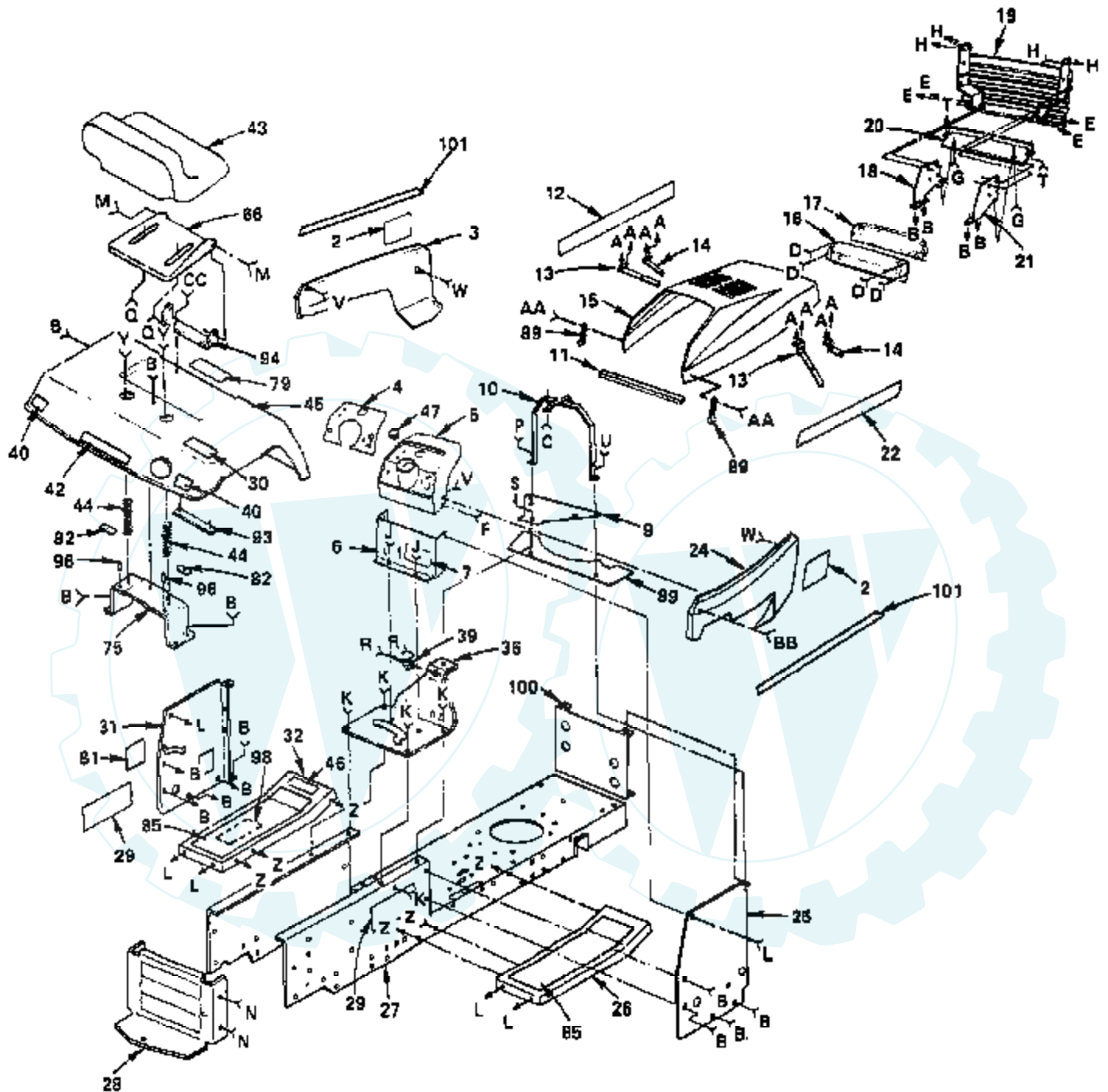


*STANDARD HARDWARE--PURCHASE LOCALLY

Ref #	Part Number	Qty	Description
1	73490400		SUB= 146525
2	19091016		WASHER
3	105371X		SUB= 150109
4	72240460		BOLT
5	227J		SUB= 123899X
6	7603J		"TRAY T, BATTERY"
7	108670X		NLA
9	4171R		CLIP T
10	7661J		HARNESS T
11	7662J		SUB= 4152J
12	100656K		SUB= 7697J
13	7192J		WIRE TIE
14	104445X		SWITCH-INTER. GT
15	2957J		"CABLE T, BATTERY"
16	4406R		SUB= STD365402
17	11151000		LOCKWASHER
18	3258J		CONDUIT NUT L
19	7552H		SUB= STD365410
20	2008J		SUB= 146154
21	105371X		SUB= 150109
22	73680400		SUB= 73690400
24	5907J		SUB= 597J
26	719J		SUB= 154336
27	2955J		CABLE ASSY LT
30	17021009		SUB= 17021008
31	2751R		CLIP T
32	6999R		SUB= 123487X
33	10090400		SUB= 10040400
34	73350400		NUT
35	74780408		BOLT
36	73510400		NUT
37	74760412		BOLT LT
39	73220400		SUB= 50675
40	11050400		LOCKWASHER
43	10040400		LOCKWASHER
45	108824X		FUSE HYT
46	9433R		AMMETER T
47	6009J		SUB= 532131708
48	6952J		SUB= 10071000
49	6953J		NLA
50	6951J		NLA
51	102501X		SUB= 141940
52	235R		CLIPT
53	11030400		LOCKWASHER GT
54	106315X		SUB= 135665
55	4021J		SWITCH.PTO.T
56	4022J		HEX NUT T
	101539X		SHEET INSTR LT
	108668X		OWNER'S MANUAL

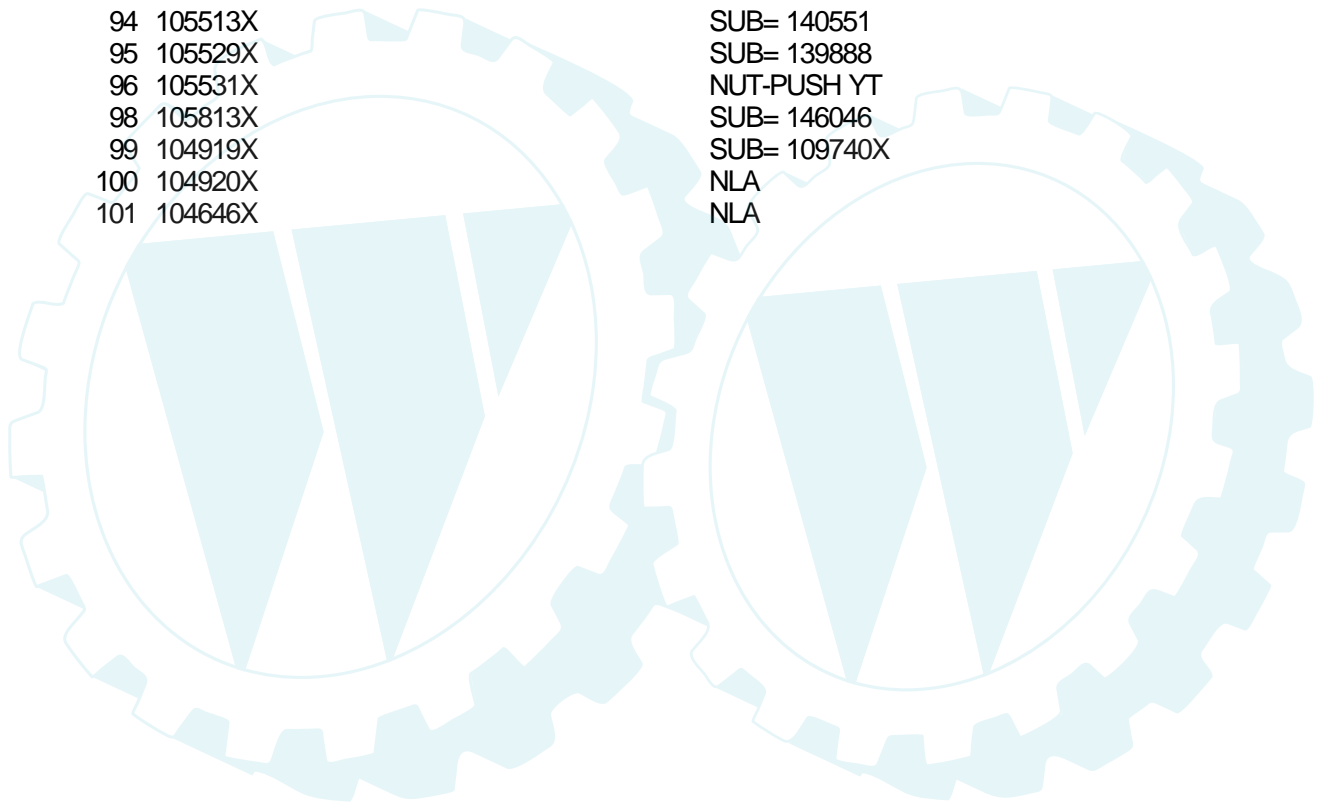
ROPER YT 14 TRACTOR-MODEL NUMBER YT140AR

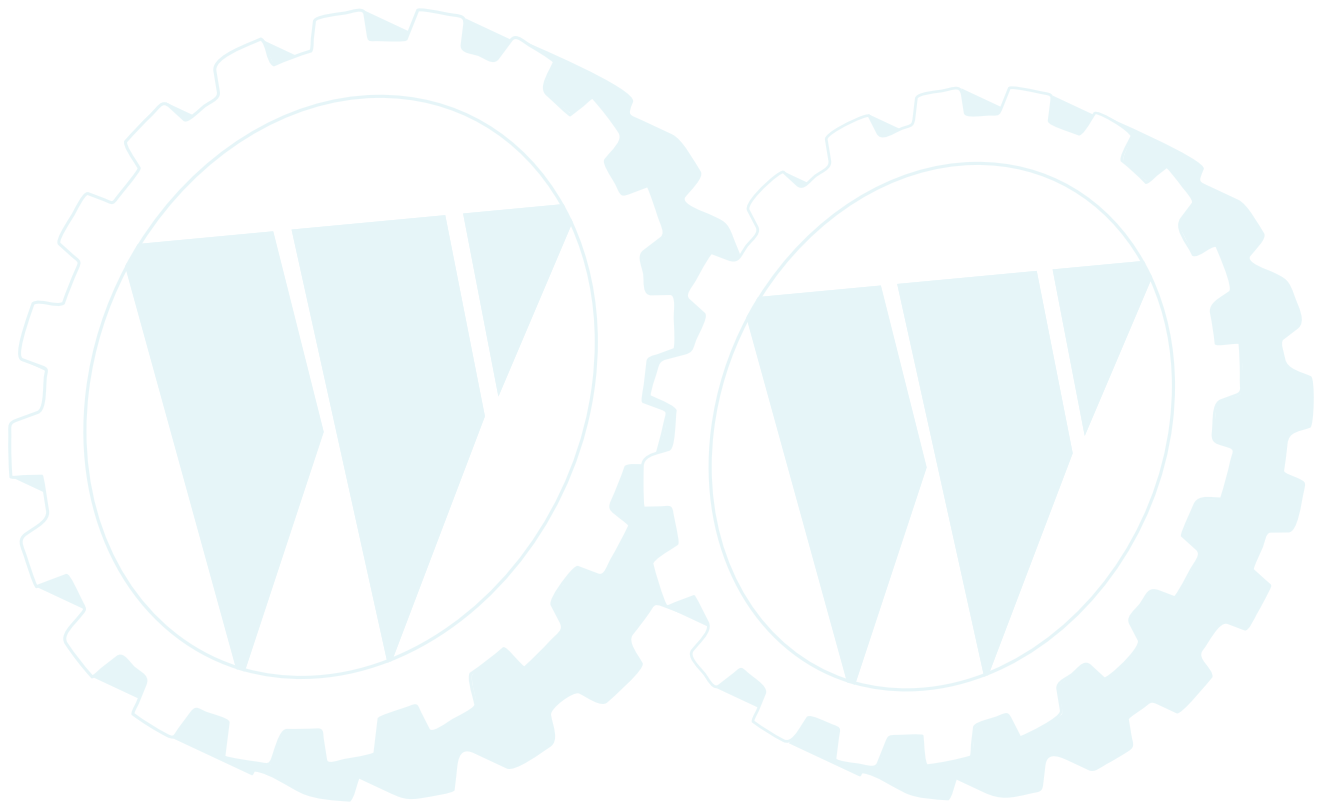
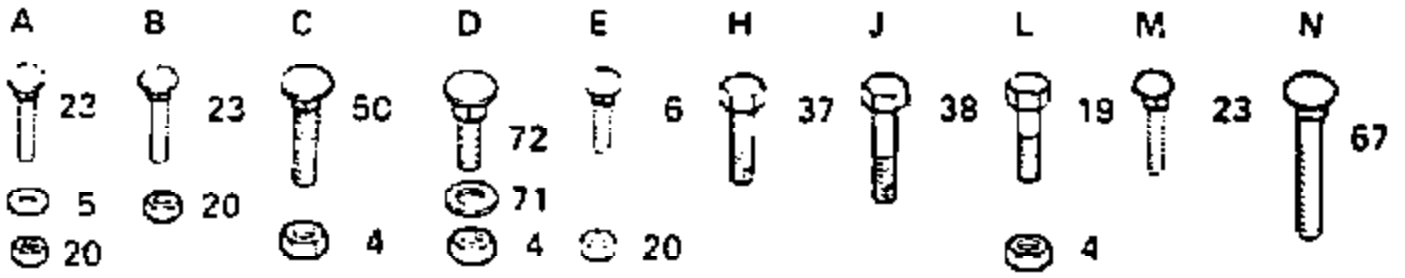
ENCLOSURES



Ref #	Part Number	Qty	Description
2	108677X		NLA
3	108372X358		SUB= 150302X505
4	108676X		DECAL-DASH
5	106796X		DASHBOARD T
6	104805X		LOWER DASH
7	108456X		SUB= 138955
9	106965X		SUB= 140181
10	104904X		NLA
11	105037X		FOAM-STRIP LT
12	104643X		NLA
13	106784X		SUB= 155013
14	104618X		SUB= 155013
15	108370X358		SUB= 150301X505
16	104613X		SUB= 147717
17	106395X		LENS LT
18	104632X		SUPPORT-GRILL LT
19	104628X		GRILL GT
20	104634X358		SUB= 105419X388
21	104633X		NLA
22	104644X		NLA
24	108371X358		SUB= 140679X505
25	108398X		PANEL-DASH
26	105464X358		SUB= 145243X505
27	108436X		SUB= 109512X
28	102481X		SUB= 145009
29	104875X		NLA
30	7178J		DECAL-CAUTION
31	106966X		PANEL DASH HYT
32	105465X358		SUB= 145244X428
34	73680500		SUB= 73690500
36	108263X		SUB= 108263X012
37	19091216		WASHER PM
39	1554J		SUB= 155108
40	106202X		REFLECTOR-TAIL YT
43	108613X		SUB= 110057X
44	105512X		SPRING LT
45	105507X358		SUB= 109593X367
46	4900J		DECAL T
47	8022J		PLUG-DASH T
48	10090400		SUB= 10040400
49	73220400		SUB= 50675
50	74760612		SUB= 74780612
51	19131312		WASHER
52	73680600		SUB= 73690600
53	74760616		BOLT
54	19131316		WASHER
55	17211010		SCREW LT
56	104755X		"" J"" FASTENER LT"
57	17490612		SCREW
59	17490512		SCREW
60	7605J		BOLT T
62	73680400		SUB= 73690400
63	74760620		SUB= 74780620
64	73510600		NUT
65	17490608		SCREW LT
66	108176X		SUB= 109866X
67	17490612		SCREW
70	10110600		LOCKWASHER T

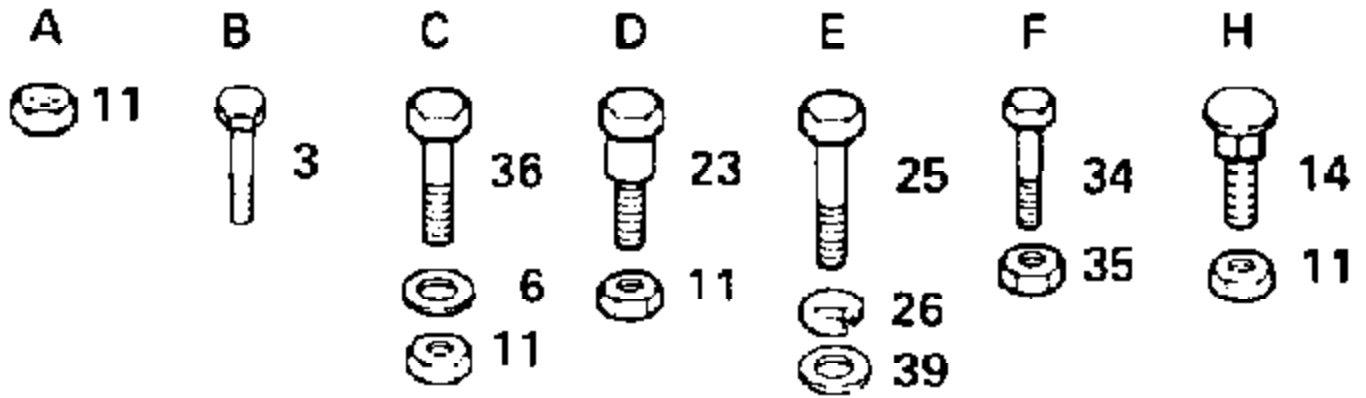
Ref #	Part Number	Qty	Description
72	17431008		SUB= 98000165
73	74780512		BOLT
74	73510500		NUT
75	105509X		SUB= 137113
76	74350512		BOLT LT
78	17490412		SCREW HEX CRT
79	106974X		SUB= 133796
81	105505X		SUB= 121794X
82	105514X		"CLAMP, SPRING LT"
83	19132012		WASHER
85	108256X		PAD FOOTREST T
89	74191008		SCREW
89	100225L		SUB= 109808X
93	105511X		SUB= 140675
94	105513X		SUB= 140551
95	105529X		SUB= 139888
96	105531X		NUT-PUSH YT
98	105813X		SUB= 146046
99	104919X		SUB= 109740X
100	104920X		NLA
101	104646X		NLA





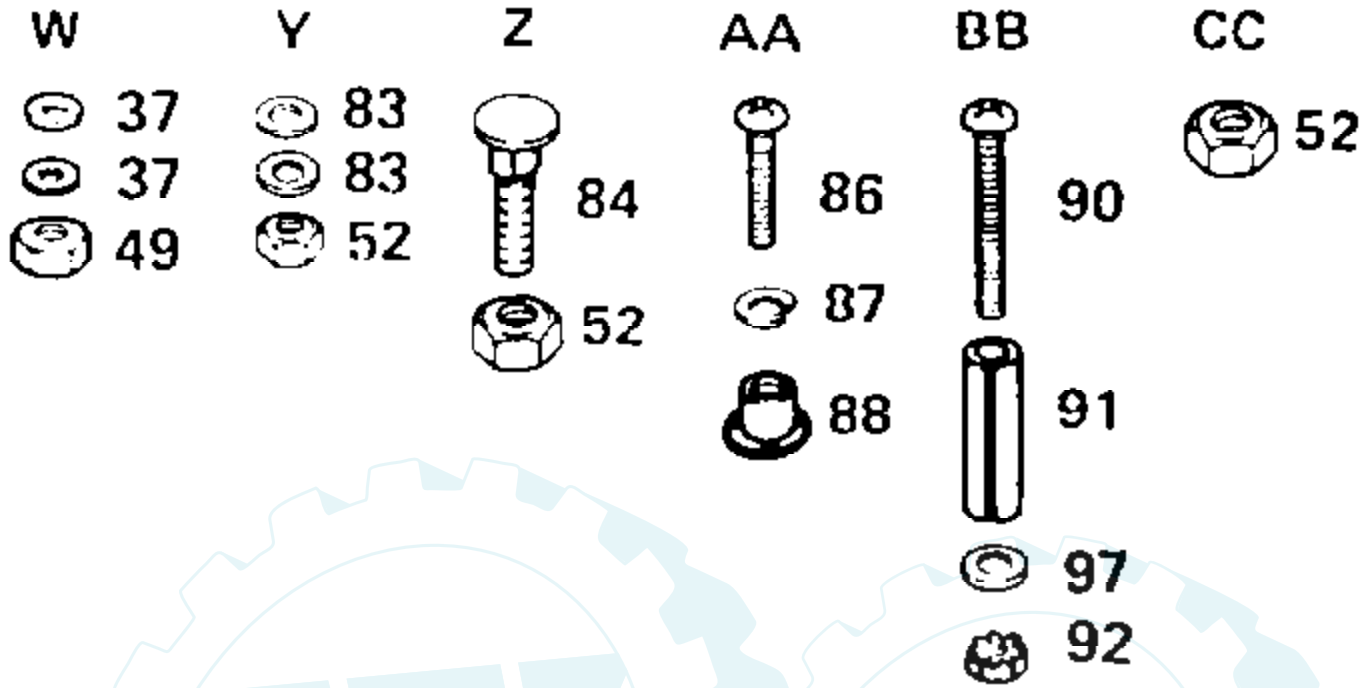
Ref #	Part Number	Qty	Description
4	73680600		SUB= 73690600
5	19111216		WASHER M
6	72140505		BOLT
19	74760612		SUB= 74780612
20	73680500		SUB= 73690500
23	72140506		BOLT
37	17490612		SCREW
38	17490620		SCREW
50	72140606		BOLT
67	72140610		BOLT.3/8-14X1.25
71	19141610		WASHER
72	72110606		BOLT





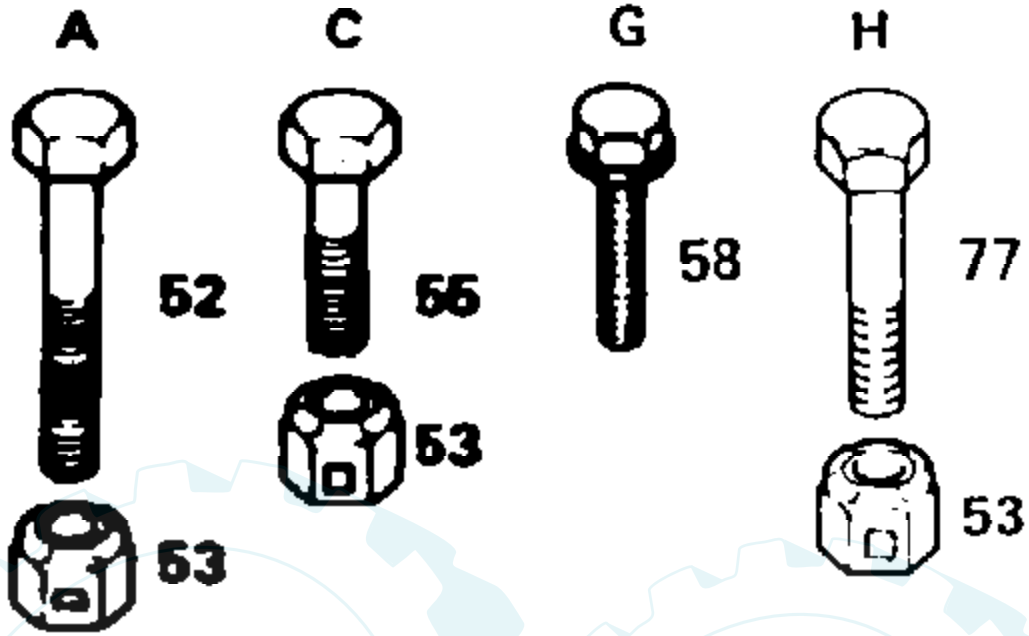
Ref #	Part Number	Qty	Description
3	17021008		SCREW
6	19131312		WASHER
11	73680600		SUB= 73690600
14	72140606		BOLT
23	105848X		"BOLT, SHOULDER LT"
25	74610764		SUB= 71130768
26	10040700		LOCKWASHER
34	74760512		BOLT
35	73680500		SUB= 73690500
36	74760616		BOLT
39	108252X		WASHER T





Ref #	Part Number	Qty	Description
37	19091216		WASHER PM
49	73220400		SUB= 50675
52	73680600		SUB= 73690600
83	19132012		WASHER
84	72140606		BOLT
86	74191008		SCREW
87	10071000		LOCKWASHER
88	2029J		WELDNUT
90	74981020		SCREW
91	7206J		SPACER LT
92	73731000		NUT
97	19070818		WASHER





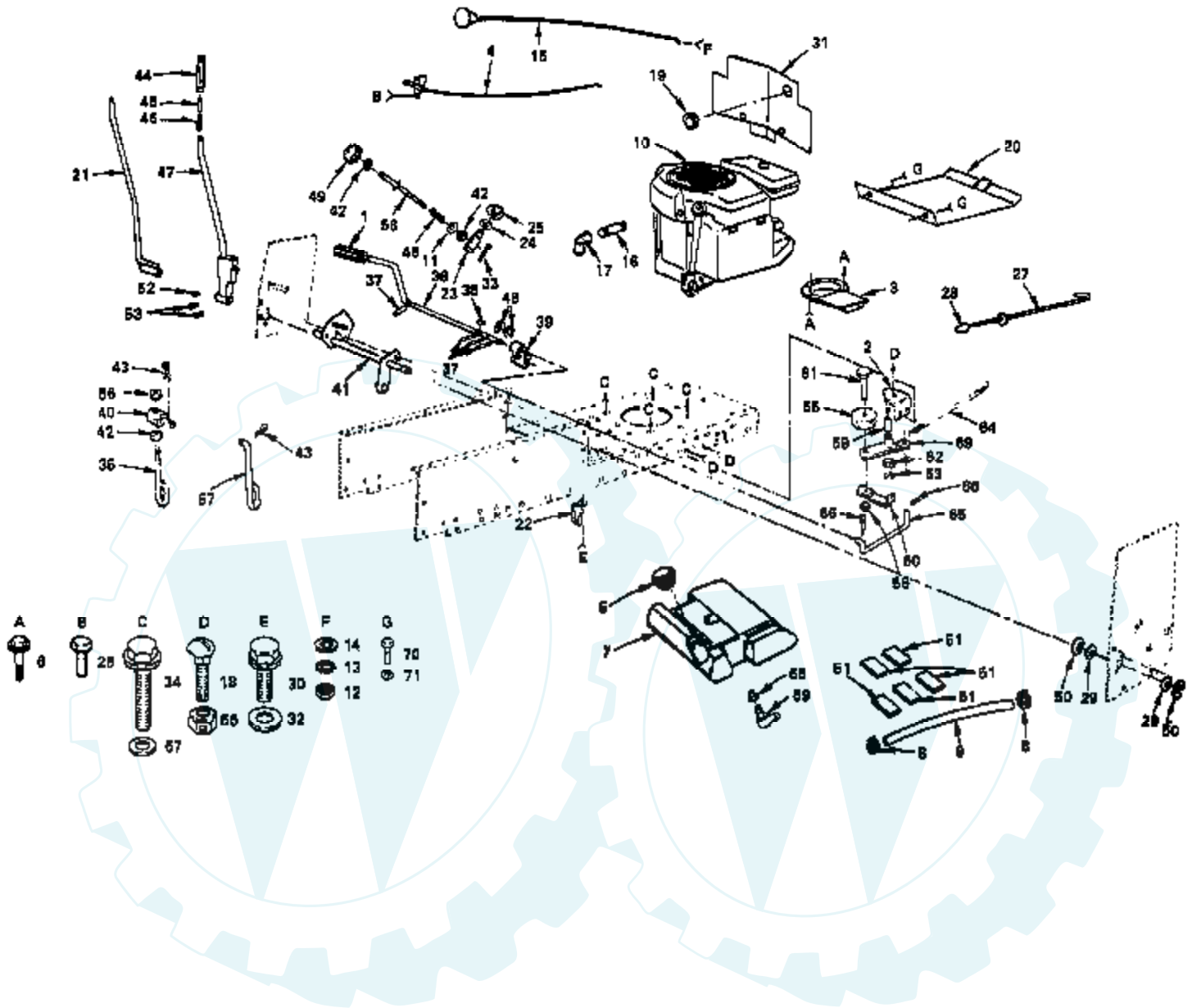
*STANDARD HARDWARE--PURCHASE LOCALLY

Ref #	Part Number	Qty	Description
52	74760644		BOLT
53	73680600		SUB= 73690600
55	74760612		SUB= 74780612
58	17490512		SCREW
77	74760616		BOLT



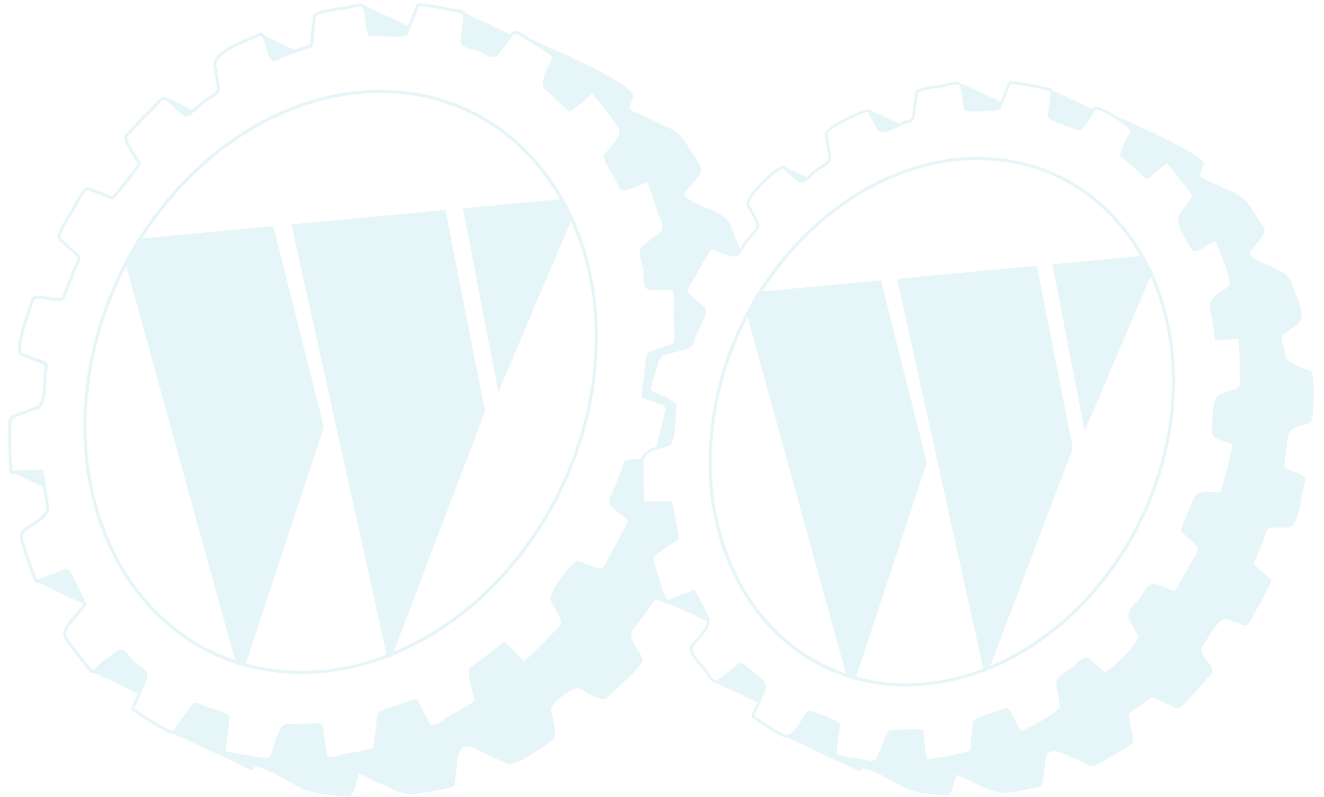
ROPER YT 14 TRACTOR--MODEL NUMBER YT140AR

POWER & MECHANICAL CONTROLS GROUP



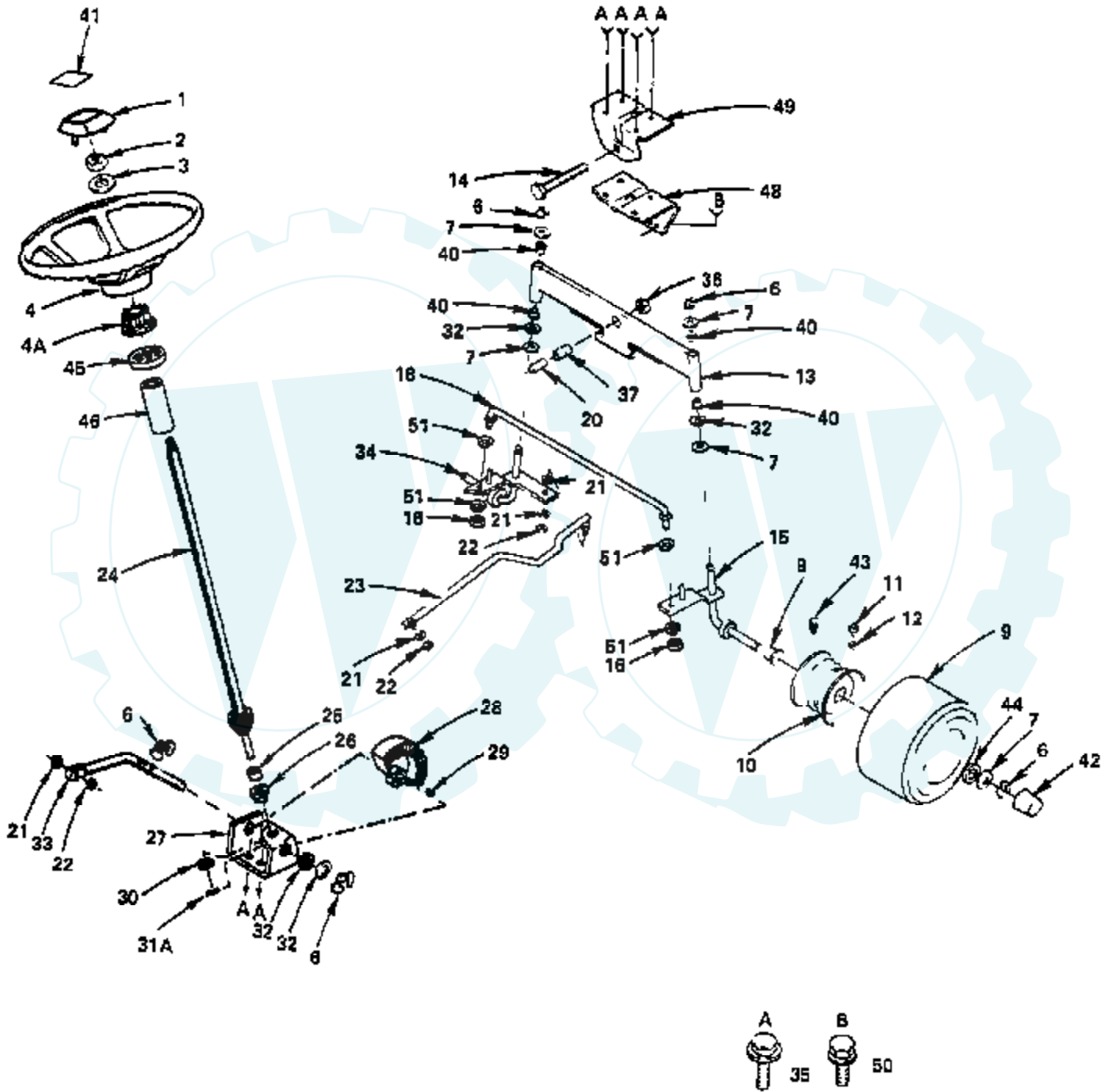
Ref #	Part Number	Qty	Description
1	8883R		PEDAL COVER T
2	105724X		SUB= 123102X
3	106407X		SUB= 108767X
4	108739X		SUB= 104870X
5	4609J		SUB= 158990
6	17020806		SCREW
7	106020X		SUB= 151346
8	6999R		SUB= 123487X
9	7834R		SUB= 8542R
10	400707		ENGINE
11	19131016		WASHER
12	73610600		SUB= 7810H
13	11050600		LOCKWASHER
14	19131316		WASHER
15	6447J		SUB= 132781
16	13280336		PIPE NIPPLE LT
17	13200300		ELBOW
18	72140606		BOLT
19	9151R		SNAP BUSHING T
20	104916X		BAFFLE YT
21	104598X		ROD ASSY-LEVER LT
22	104777X		SUB= 140312
23	6519J		TRUNION T
24	19151216		WASHER
25	12000037		KLIP RING
26	17720408		SCREW
27	105844X		SUB= 125637X
28	71673		PLUNGER CAP T
29	19292016		WASHER
30	17490612		SCREW
31	104917X		BAFFLE YT
32	19131312		WASHER
33	76020308		SUB= 3145
34	17490624		SCREW LT
35	105855X		LINK LIFT LT
36	105720X		SUB= 109037X
37	1572H		SUB= 2882J
38	2228M		SUB= 2228M1
39	106918X		ARM BRAKE LT
40	106204X		SUB= 132793
41	106979X		SUB= 109990X
42	73350600		NUT
43	4939M		SUB= 85902
44	106019X		SUB= 109413X
45	105723X		SUB= 125925X
46	2876H		SPRING T
47	104597X		LEVER ASSY LT
48	19252016		SUB= 121749X
49	100734K		SUB= 138057
50	12000029		RING
51	6431J		PAD-SPACER T
52	8330H		KEY STD
53	23180606		SCREW
54	105705X		SUB= 125829X
55	106298X		SUB= 139245
56	73680600		SUB= 73690600
57	105856X		SUB= 110095X
58	100735K		ROD ADJUST LT

Ref #	Part Number	Qty	Description
59	105706X		"LY, BEARING"
60	106499X		SUB= 123205X
61	74760624		SUB= 74930624
62	207J		WASHER T
63	12000039		KLIP RING
64	105709X		"SPRING, RETURN LT"
65	105710X		"LINK, CLUTCH T"
66	76020412		COTTER PIN
67	19131210		WASHER
68	3645J		BUSHING OUTLET T
69	8710J		FUEL TANK STEM GT
69	8710J		FUEL TANK STEM GT
70	74780408		BOLT
71	10040400		LOCKWASHER



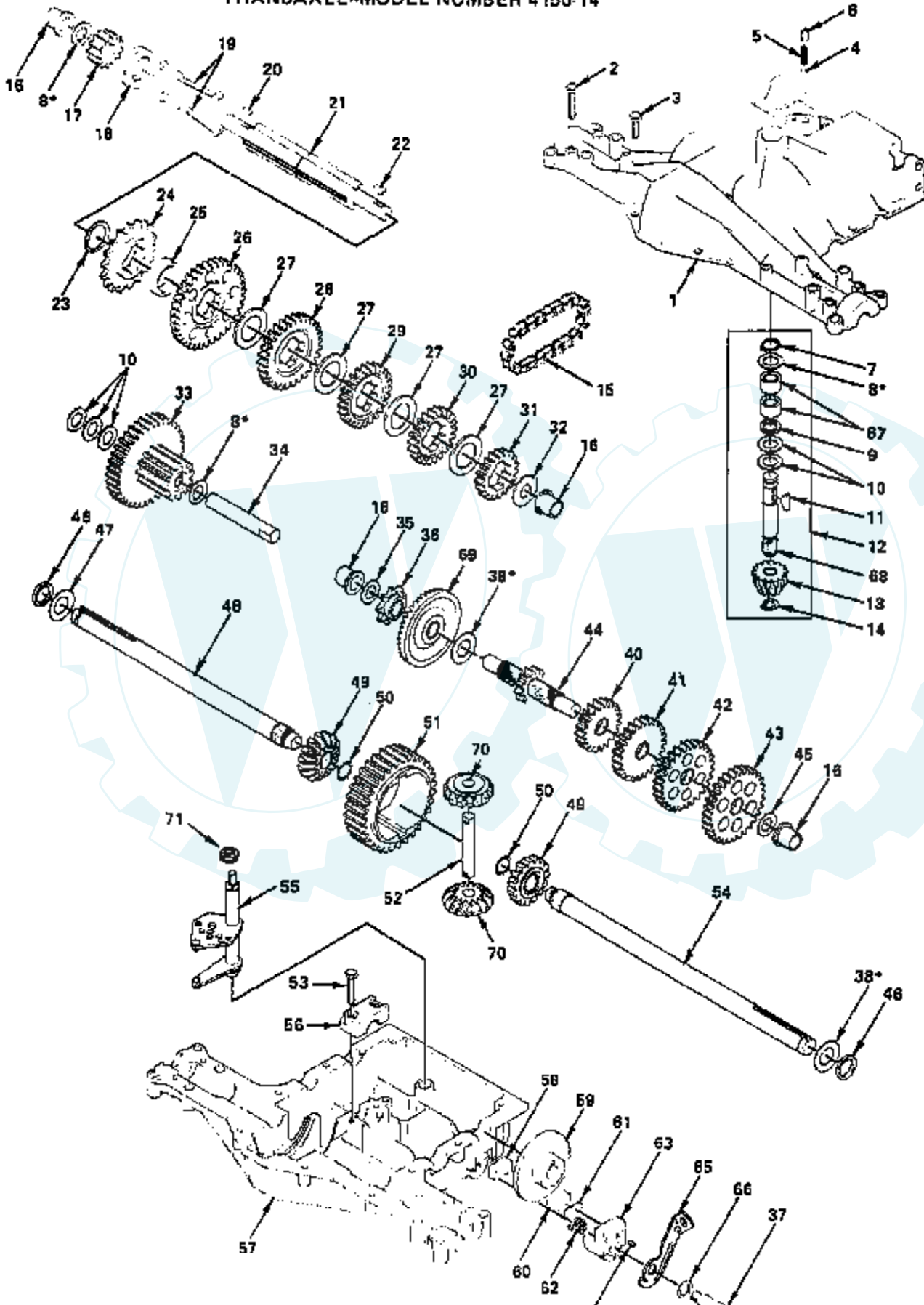
ROPER YT 14 TRACTOR-MODEL NUMBER YT140AR

STEERING, FRONT AXLE AND WHEELS



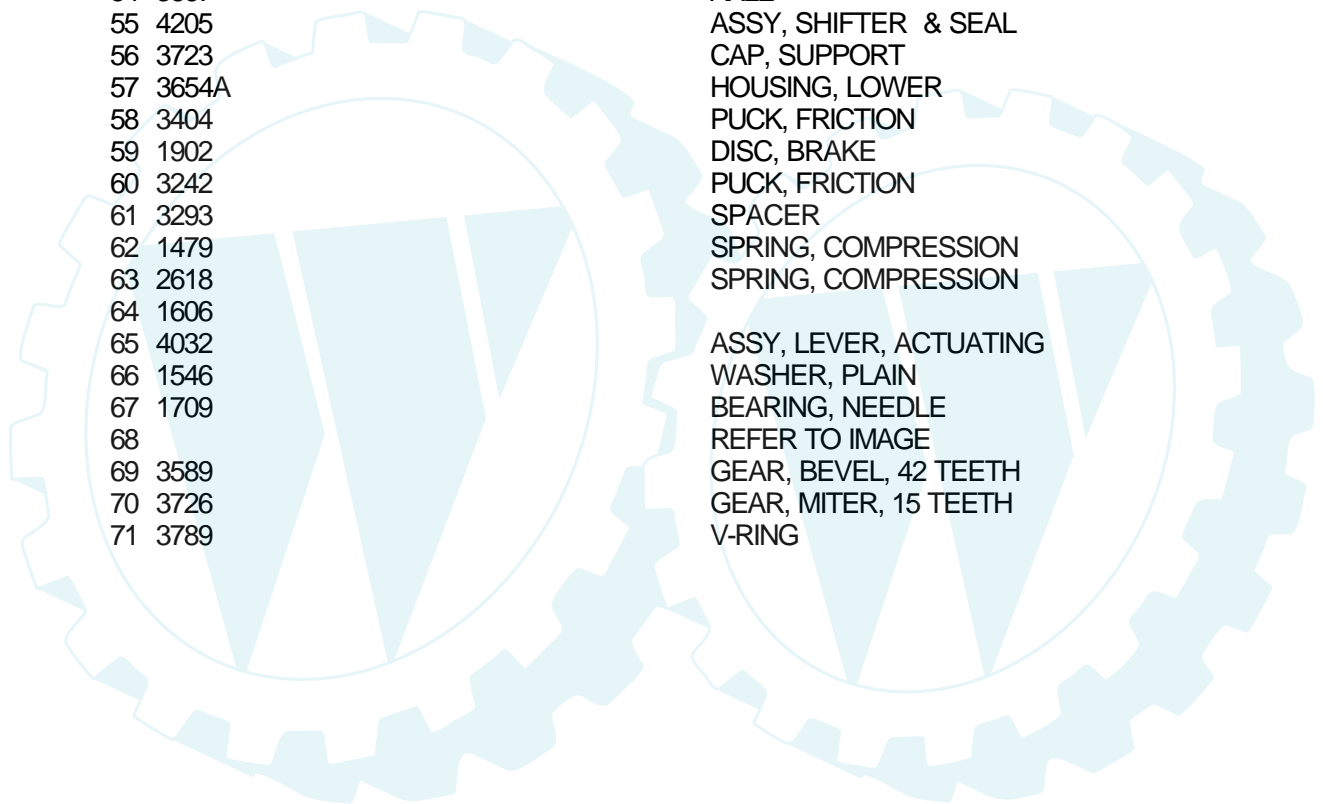
Ref #	Part Number	Qty	Description
1	100710L		INSERT-WHEEL LT
2	73360800		NUT
3	100712K		WASHER
4	100713N		SUB= 150547
4A	100711L		ADAPTER LT
6	12000029		RING
7	19252016		SUB= 121749X
8	9040H		"FLANGE, BEARING"
9	106222X 59904		SUB= 122073X TUBE.5.3/4.5/6
10	106218X		WHEEL LT
11	65139		VALVE STEM LT
12	59192		VALVE CAP
13	108075X		FRONT AXLE
14	74761060		BOLT LT
15	105654X		SUB= 130524
16	73610500		NUT
18	108110X		ROD TIE HYT
20	105726X		SUB= 154391
21	10040600		LOCKWASHER
22	73610600		SUB= 7810H
23	105727X		LINK-DRAG LT
24	104814X		NLA
25	74580		SHAFT SPACER LT
26	71208		BUSHING
27	102531X		SUB= 110150X
28	4301J		GEAR-SECTOR T
29	106126X		KEY-WOODRUFF LT
30	19212016		WASHER D
31A	2882J		DRIVE PIN
32	6266H		WASHER .T
33	106127X		ROD-STEERING T
34	105655X		SPINDLE LH YT
35	17490612		SCREW
36	73901000		"NUT-LOC,FLANGE LT"
37	105725X		SUB= 110438X
40	3366R		COL. SRTG. BEAR.
41	104590X		DECAL - STEERING WHEEL
42	104757X		HUB CAP
43	278H		FITTING LT
44	19252616		SUB= 121748X
45	106943X		SPACER LT
46	106945X		TUBE YT
48	105664X		SUPPORT.SADDLE.FT
49	105663X		SUPPORT-SADDL T
50	17490508		SCREW LT
51	10040500		LOCKWASHER

**ROPER YT 14 TRACTOR--MODEL NUMBER YT140AR
TRANSAXLE--MODEL NUMBER 4150-14**



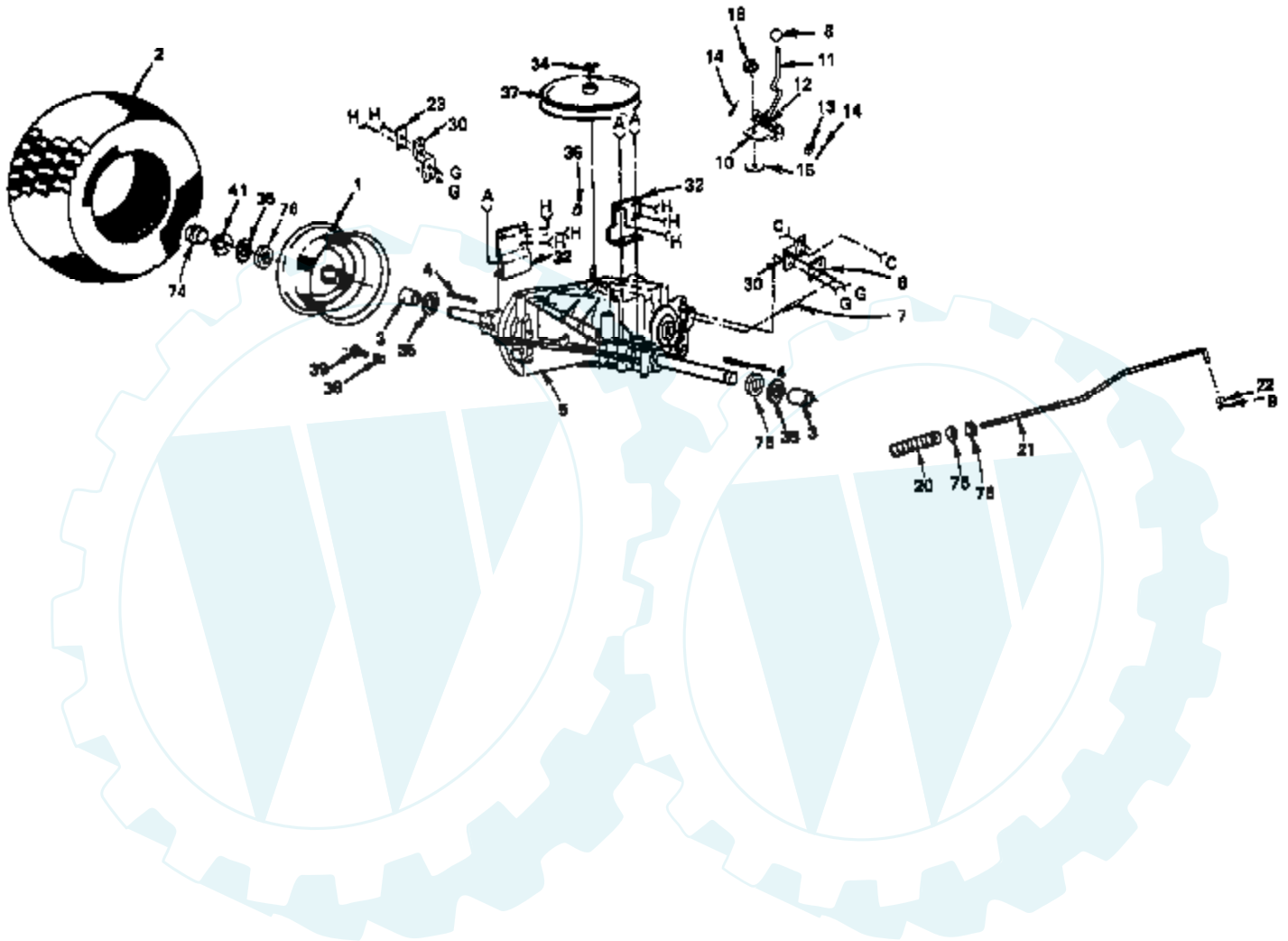
Ref #	Part Number	Qty	Description
1	3365B		
2	1360		SCREW 1/4-20 X 1.31
3	3396		SCREW 1/4-20 X .875
4	1151		BALL DETENT
5	3626		SPRING, DETENT
6	3623		SCREW, SET
7	1099		RING RETAINING
8	1441		WASHER PLAIN
8	1423		WASHER, PLAIN .632 X 1.00 X .026
8	1082		WASHER PLAIN
8	1424		WASHER PLAIN
8	1068		WASHER PLAIN
8	1425		WASHER PLAIN
8	1358		WASHER PLAIN
8	1145		WASHER, PLAIN .632 X 1.00 X .060
8	1319		WASHER PLAIN
9	3312		O-RING
10	1425		WASHER PLAIN
11	1374		KEY WOODRUFF #9
12	4171		ASSY KIT INPUT SHAFT
13	3725		PINION BEVEL 14 TEETH
14	3624		RING, RETAINING
15	3625		CHAIN, 24 PITCHES
16	1542		BEARING, FLANGE
17	3709		GEAR, SPUR 14T
18	3631		COLLAR CLUTCH
19	3676		KEY, CLUTCH
20	1369		KEY WOODRUFF #3
21	3739		SHAFT, INTERMEDIATE
22	1375		KEY, WOODRUFF, #61
23	3627		RING, RETAINING
24	3640		SPROCKET, 18T
25	3710		
26	3712		
27	3622		
28	3706		
29	3644		GEAR, SPUR, 30T
30	3643		GEAR, SPUR, 25T
31	3741		GEAR SPUR
32	3628		WASHER, PLAIN .640 X 1.37 X .061
33	4143		ASSY, GEAR
34	3658		SHAFT, IDLER
35	1959		WASHER PLAIN
36	3645		SPROCKET, 9 TEETH
37	1477		BOLT, SHOULDER
38	3652		WASHER PLAIN
38	3693		WASHER PLAIN
38	3653		WASHER PLAIN
38	3408		WASHER PLAIN
38	3732		WASHER PLAIN
38	3184		WASHER, PLAIN .758 X 1.25 X .031
38	3733		WASHER PLAIN
38	3198		WASHER PLAIN
38	3734		WASHER PLAIN
38	3735		WASHER PLAIN
38	3736		WASHER PLAIN
40	3707		GEAR SPUR, 15 TEETH
41	3637		GEAR, SPUR 20T

Ref #	Part Number	Qty	Description
42	3719		GEAR, SPUR, 25 TEETH
43	3683		GEAR, SPUR, 31 TEETH
44	3713		SHAFT, DRIVE
45	1145		WASHER, PLAIN .632 X 1.00 X .060
46	3191		SEAL FELT
47	3184		WASHER, PLAIN .758 X 1.25 X .031
48	3666		AXLE
48	3727		GEAR, MITER 15T
49	3727		GEAR, MITER 15T
50	3656		RING, RETAINING
51	3154		GEAR, SPUR, 32T
52	3179		SHAFT, CROSS
53	3724		SCREW TAPPING
54	3667		AXLE
55	4205		ASSY, SHIFTER & SEAL
56	3723		CAP, SUPPORT
57	3654A		HOUSING, LOWER
58	3404		PUCK, FRICTION
59	1902		DISC, BRAKE
60	3242		PUCK, FRICTION
61	3293		SPACER
62	1479		SPRING, COMPRESSION
63	2618		SPRING, COMPRESSION
64	1606		
65	4032		ASSY, LEVER, ACTUATING
66	1546		WASHER, PLAIN
67	1709		BEARING, NEEDLE
68			REFER TO IMAGE
69	3589		GEAR, BEVEL, 42 TEETH
70	3726		GEAR, MITER, 15 TEETH
71	3789		V-RING



ROPER YT 14 TRACTOR--MODEL NUMBE. YT140AR

TRANSAXLE AND REAR WHEEL



Ref #	Part Number	Qty	Description
1	106108X		SUB= 106108X417
2	106268X		SUB= 122074X
	7152J		TUBE.18X9.5-8
3	105702X		"SPACER, SPLIT LT"
4	2703J		SUB= 123583X
5	108399X		TRANSAXLE
6	106320X		BRACKET-SPRING LT
7	106319X		SPRING-EXT LT
8	106933X		KNOB T (1/2-HOLE)
9	76020412		COTTER PIN
10	106919X		PLATE SHIFT LT
11	105699X		SUB= 110458X
12	105700X		SPRING LT
13	19151216		WASHER
14	76020416		PIN COTTER 1/8
15	105701X		WASH-SHFT PLT LT
16	73960500		NLA
20	106888X		SPRING ROD LT
21	105752X		SUB= 110437X
22	19131316		WASHER
23	106157X		PLATE-STRAP LT
30	105842X		"STRAP, TORQUE LT"
32	3723J		SUB= 109167X
34	12000028		SUB= 2267J
35	19252016		SUB= 121749X
36	2228M		SUB= 2228M1
37	106192X		SUB= 125479X
38	59192		VALVE CAP
39	65139		VALVE STEM LT
41	12000001		E-RING LT
74	104757X		HUB CAP
75	73930600		LOCKNUT
76	19252616		SUB= 121748X
78	73350600		NUT