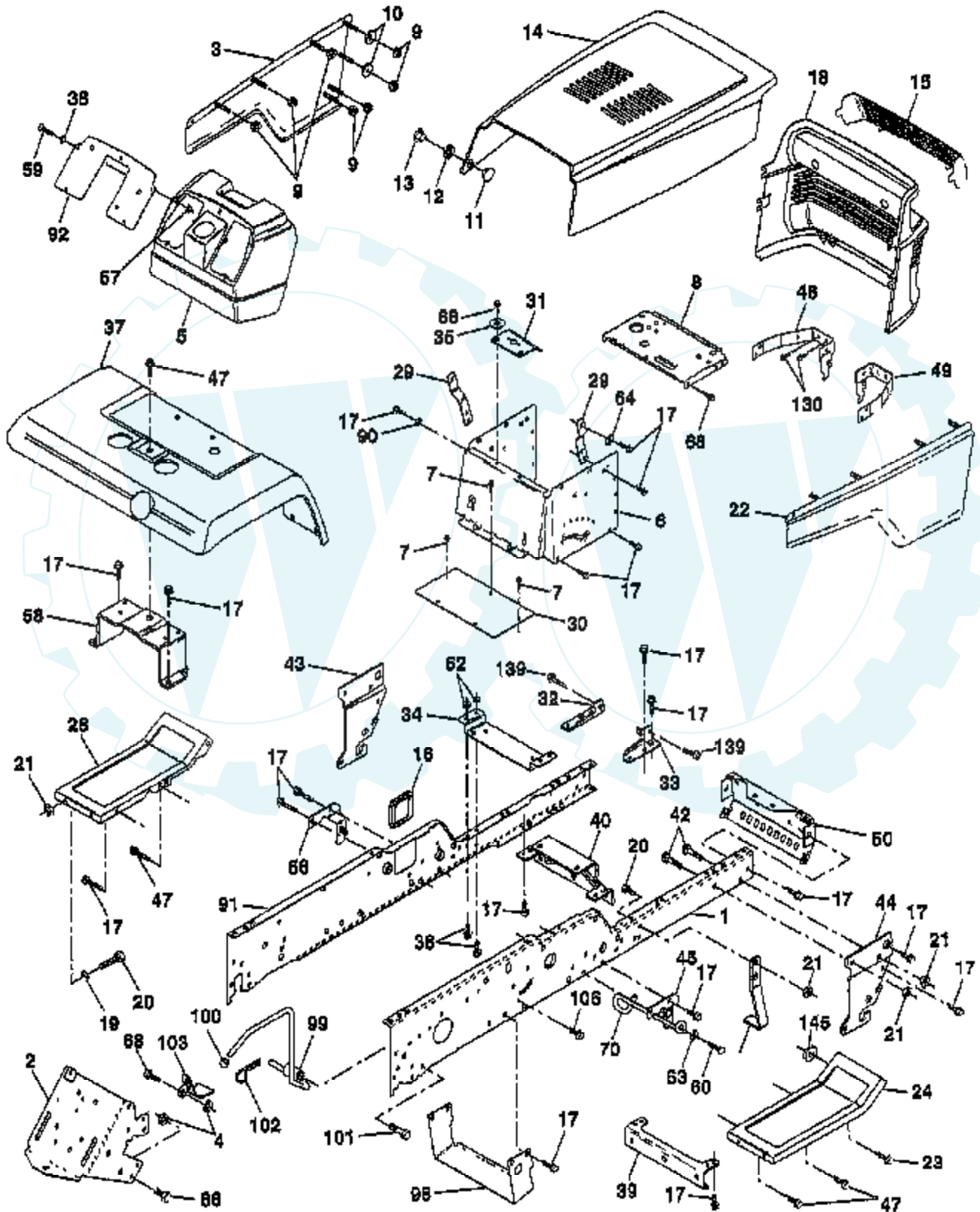


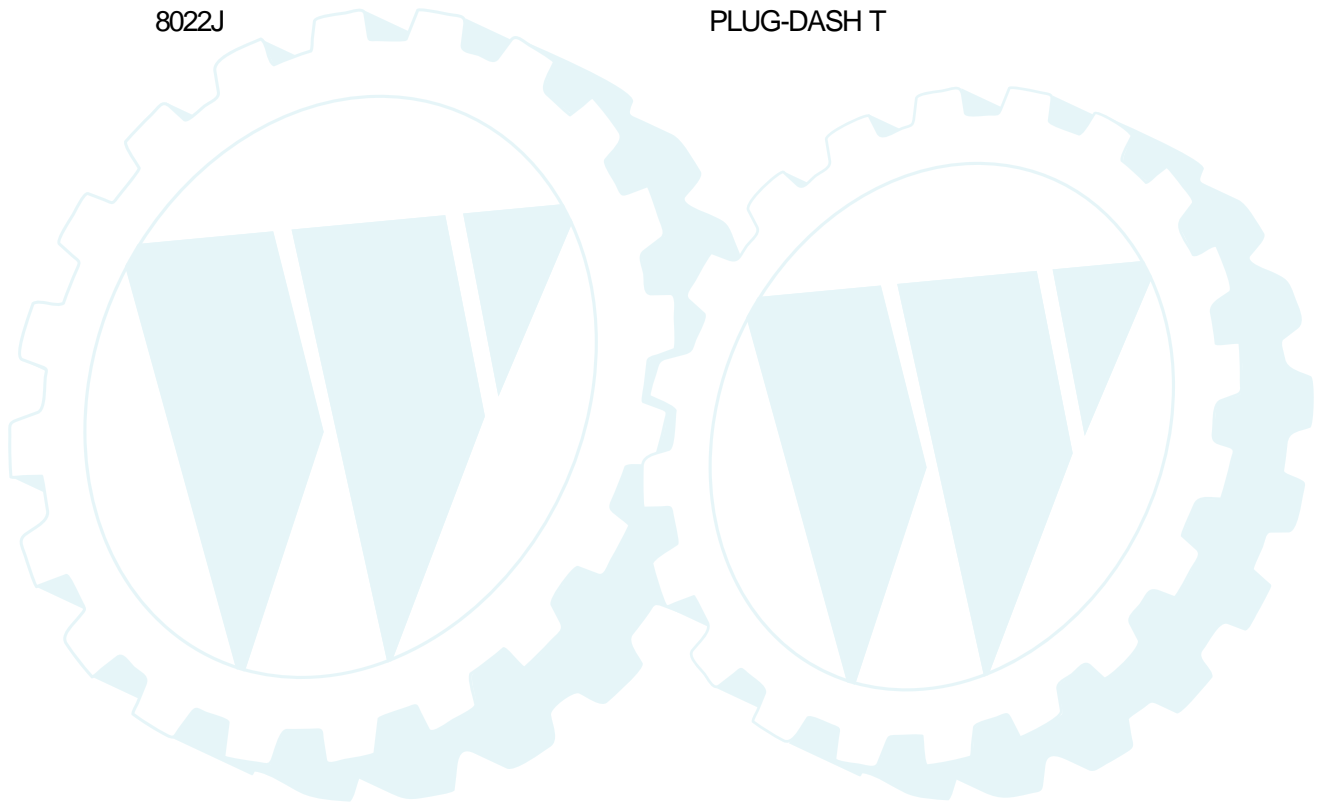
TRACTOR - - MODEL NUMBER YPQGT22H46A

CHASSIS AND ENCLOSURES



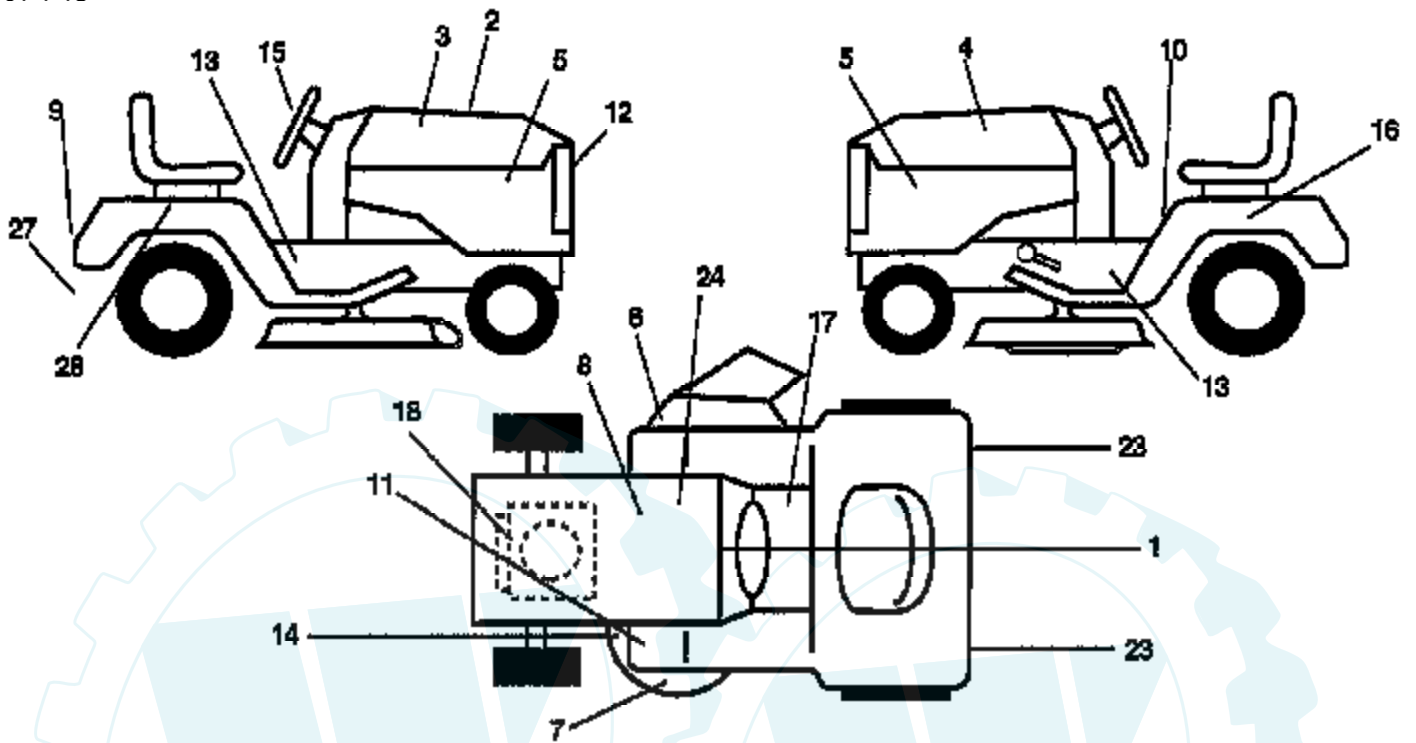
| Ref # | Part Number | Qty | Description |
|-------|-------------|-----|-----------------------|
| 1 | 150253 | | "RAIL,FRAME RH" |
| 2 | 140506 | | DRAWBAR GT |
| 3 | 136671X428 | | PANEL.ASM.SIDE.LHG |
| 4 | 73680700 | | NUT GTV |
| 5 | 145203 | | DASH.PLASTIC.BLK |
| 6 | 157882 | | DASH LOWER |
| 7 | 17720408 | | SCREW |
| 8 | 145166 | | SUPPORT.DASH.BTRY |
| 9 | 108067X | | PAL NUT LT |
| 10 | 19092016 | | WASHER |
| 11 | 137270 | | RIVET.RATCHET.MAL |
| 12 | 137269 | | WASHER.NYLON |
| 13 | 137271 | | RIVET.RATCH.FEMAL |
| 14 | 136673X428 | | HOOD.ASM.PNT |
| 15 | 136374X599 | | LENS.YT.GT.SEARS |
| 16 | 121794X | | COVER ACCESS |
| 17 | 17060612 | | SCREW |
| 18 | 136373X428 | | SUB= 136375 |
| 19 | 19131312 | | WASHER |
| 20 | 74760616 | | BOLT |
| 21 | 73800600 | | NUT |
| 22 | 136670X428 | | PANEL ASM, SIDE RH |
| 23 | 17060616 | | SCREW |
| 24 | 145243X428 | | FOOTREST.RH.LT/GT |
| 28 | 145244X428 | | FOOTREST PNT LH |
| 29 | 145349 | | BRACKET.SUPT.DASH |
| 30 | 145052 | | SADDLE.HYDRO.95 |
| 31 | 161419 | | BRKT SUPT 1-PC VG |
| 32 | 161327 | | BKRT.PIVOT.CHASSIS.LH |
| 33 | 161326 | | BKRT.PIVOT.CHASSIS.RH |
| 34 | 142131 | | BRACKET.ENG.SUPT. |
| 35 | 19111116 | | WASHER |
| 36 | 74780512 | | BOLT |
| 37 | 167270X428 | | FENDER.PNT.YTGT.WS. |
| 38 | 19091216 | | WASHER PM |
| 39 | 136961 | | BRACKET.AXLE.FRT. |
| 40 | 156111 | | "BRKT SUPPORT,AXLE" |
| 42 | 72140608 | | SUB= 72110608 |
| 43 | 136939 | | BRACKET.SUS.FT.LH |
| 44 | 136940 | | BRACKET.SUS.FT.RH |
| 45 | 154913 | | BRACKET.SUSP.RH. |
| 47 | 17490608 | | SCREW LT |
| 48 | 157105 | | BRKT ASM PIVOT LH |
| 49 | 157107 | | BRKT ASM PIVOT RH |
| 50 | 152728 | | "BRKT CHASSIS,FRNT" |
| 52 | 73680500 | | SUB= 73690500 |
| 56 | 154914 | | BRACKET.SUSP.LH. |
| 57 | 73640400 | | NUT HXKEP 1/4X20 |
| 58 | 137113 | | BRKT.ASM.FENDER |
| 59 | 74180412 | | SCREW |
| 60 | 17490620 | | SCREW |
| 63 | 19131614 | | WASHER |
| 64 | 144283 | | WASHER.SERRATED. |
| 68 | 17490508 | | SCREW LT |
| 70 | 137159 | | GUIDE.BELT.MID.SP |
| 84 | 142992 | | STOP.OVER.CENTER |
| 86 | 74760716 | | BOLT |
| 90 | 11050600 | | LOCKWASHER |

| Ref # | Part Number | Qty | Description |
|-------|-------------|-----|------------------------------|
| 91 | 156586 | | "RAIL FRAME,LH" |
| 92 | 166331X011 | | PLATE |
| 95 | 105531X | | NUT-PUSH YT |
| 98 | 140503 | | BRACKET SKID CHAS |
| 99 | 140871 | | ROD BYPASS |
| 100 | 124236X | | CAP |
| 101 | 17490628 | | SCREW LT |
| 102 | 4497H | | RETAINER M |
| 103 | 142273 | | LOCK BYPASS BRKT |
| 106 | 138776 | | SUB= 157722 |
| 120 | 19131616 | | WASHER HYT |
| 130 | 164863 | | "SCREW,HWHD.HI-LO#13-16X3/4" |
| 139 | 161330 | | BOLT.SHOULDER.5/16-18 |
| 145 | 19131414 | | WASHER |
| | 8022J | | PLUG-DASH T |



TRACTOR - - MODEL NUMBER YPQGT22H46A

DECALS

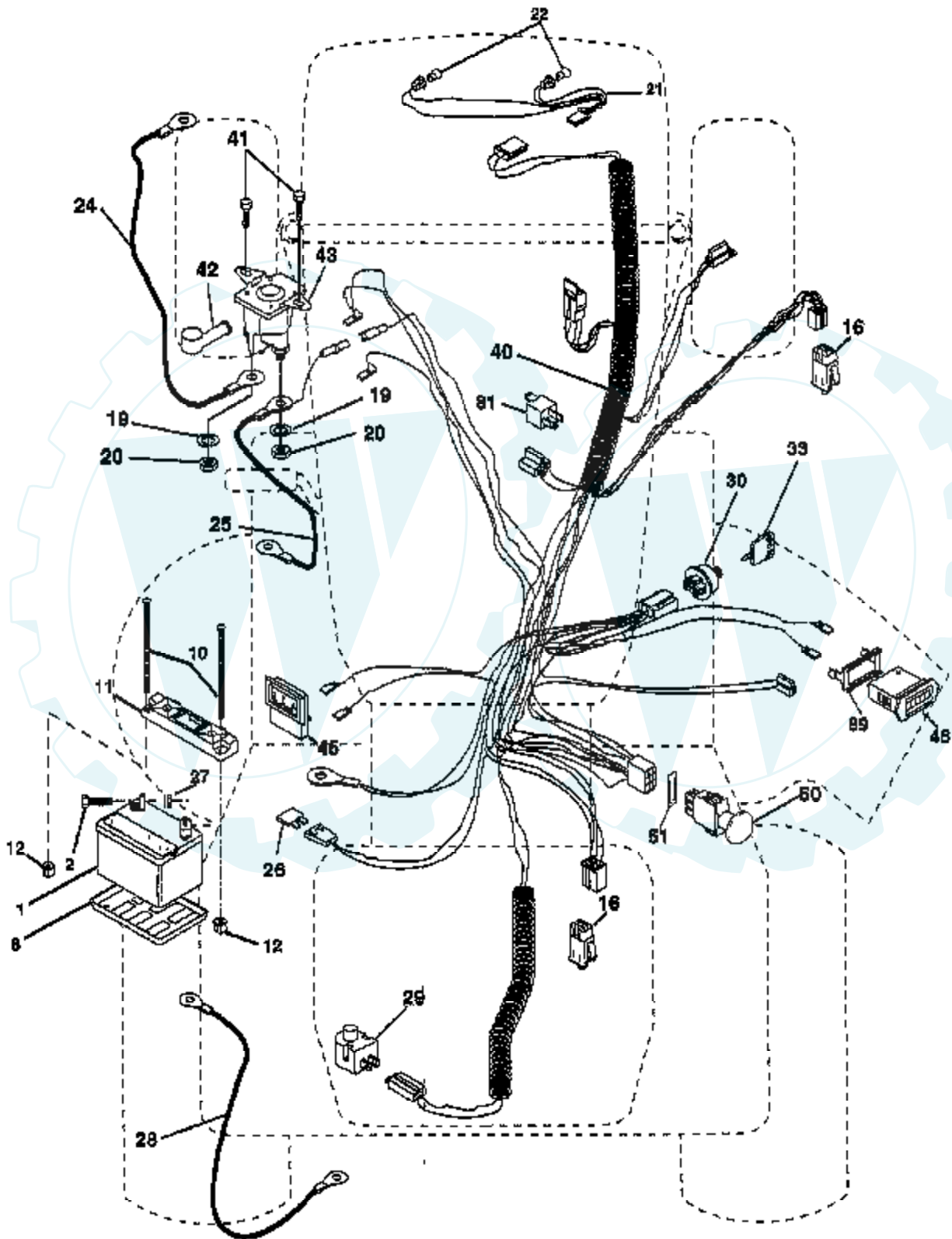


NOTE: All component dimensions given in U.S. inches
1 inch = 25.4 mm

| Ref # | Part Number | Qty | Description |
|-------|-------------|-----|--------------------------------|
| 1 | 156964 | | DECAL OPER INSTR. |
| 2 | 169725 | | DECAL |
| 3 | 169723 | | DECAL |
| 4 | 169724 | | DECAL |
| 5 | 168487 | | DECAL.DASH |
| 6 | 137259 | | "DECAL, WARNING" |
| 7 | 168548 | | DECAL.MOWER |
| 8 | 168427 | | DECAL.BATT |
| 9 | 156412 | | DECAL FENDER |
| 10 | 157140 | | DECAL.CAUT.ENG/FR |
| 11 | 101892X | | DECAL T |
| 12 | 156415 | | DECAL GRILLE |
| 13 | 158858 | | "DECAL-CHASSIS,46"" |
| 14 | 160397 | | SUB= 532160397 |
| 15 | 156428 | | DECAL INS STRG WH |
| 16 | 156432 | | DECAL FENDER LH |
| 17 | 140837 | | DECAL BRAK PARK |
| 18 | 24-113-13 | | DECAL/D-BAR CTRL MVT HYD YT/GT |
| 23 | 106202X | | REFLECTOR-TAIL YT |
| 24 | 145005 | | DECAL.BATRY.3-3908 |
| 27 | 142342 | | DECAL D-BAR CNTRL |
| 28 | 156431 | | DECAL FENDER RH |
| | 138311 | | DECAL HANDLE LIFT |
| | 133671 | | FOOTREST PAD |
| | 169731 | | DECAL |
| | 169732 | | DECAL |

TRACTOR - - MODEL NUMBER YPQGT22H46A

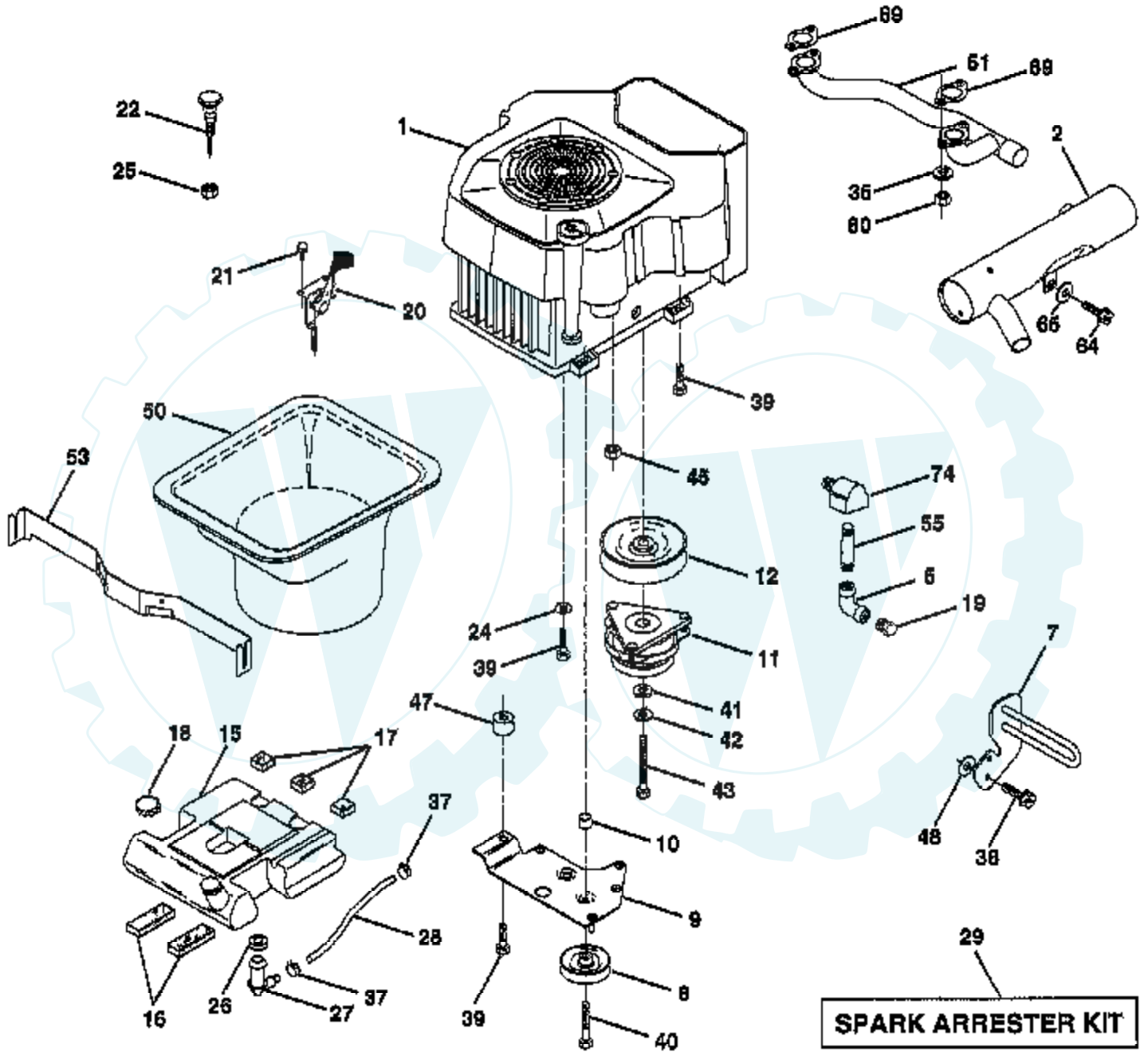
ELECTRICAL



| Ref # | Part Number | Qty | Description |
|-------|-------------|-----|--------------------------|
| 1 | 144927 | | SUB= 125603X |
| 2 | 74760412 | | BOLT LT |
| 8 | 7603J | | "TRAY T, BATTERY" |
| 10 | 145211 | | SUB= 150177 |
| 11 | 150109 | | HOLDDOWN BATTERY |
| 12 | 145769 | | SUB= 150177 |
| 16 | 153664 | | SWITCH INTERLOCK |
| 19 | 10090400 | | SUB= 10040400 |
| 20 | 73350400 | | NUT |
| 21 | 166182 | | HARNES.ASM.LIGHT.W/4152J |
| 22 | 4152J | | HEADLAMP BULB |
| 24 | 4014J | | CABLE.BATY.22.RED |
| 25 | 146686 | | CABLE.BATRY.4GA. |
| 26 | 108824X | | FUSE HYT |
| 27 | 73510400 | | NUT |
| 28 | 157899 | | "CABLE BATTERY,GRD" |
| 29 | 160784 | | SWITCH.PLUNGER |
| 30 | 163968 | | SWITCH.IGN. |
| 33 | 140401 | | KEY MLD GEN DELTA |
| 40 | 166176 | | HARNES.IGN. |
| 41 | 17720408 | | SCREW |
| 42 | 131563 | | SUB= 154336 |
| 43 | 145673 | | SUB= 146154 |
| 45 | 122822X | | AMMETER |
| 46 | 169635 | | METER HOUR |
| 50 | 154959 | | PTO SWITCH.BLK |
| 51 | 140405 | | RING RETAIN PTO |
| 81 | 109748X | | RELAY ASSY T |
| 89 | 169639 | | BRACKET SNAP |

TRACTOR - - MODEL NUMBER YPQGT22H46A

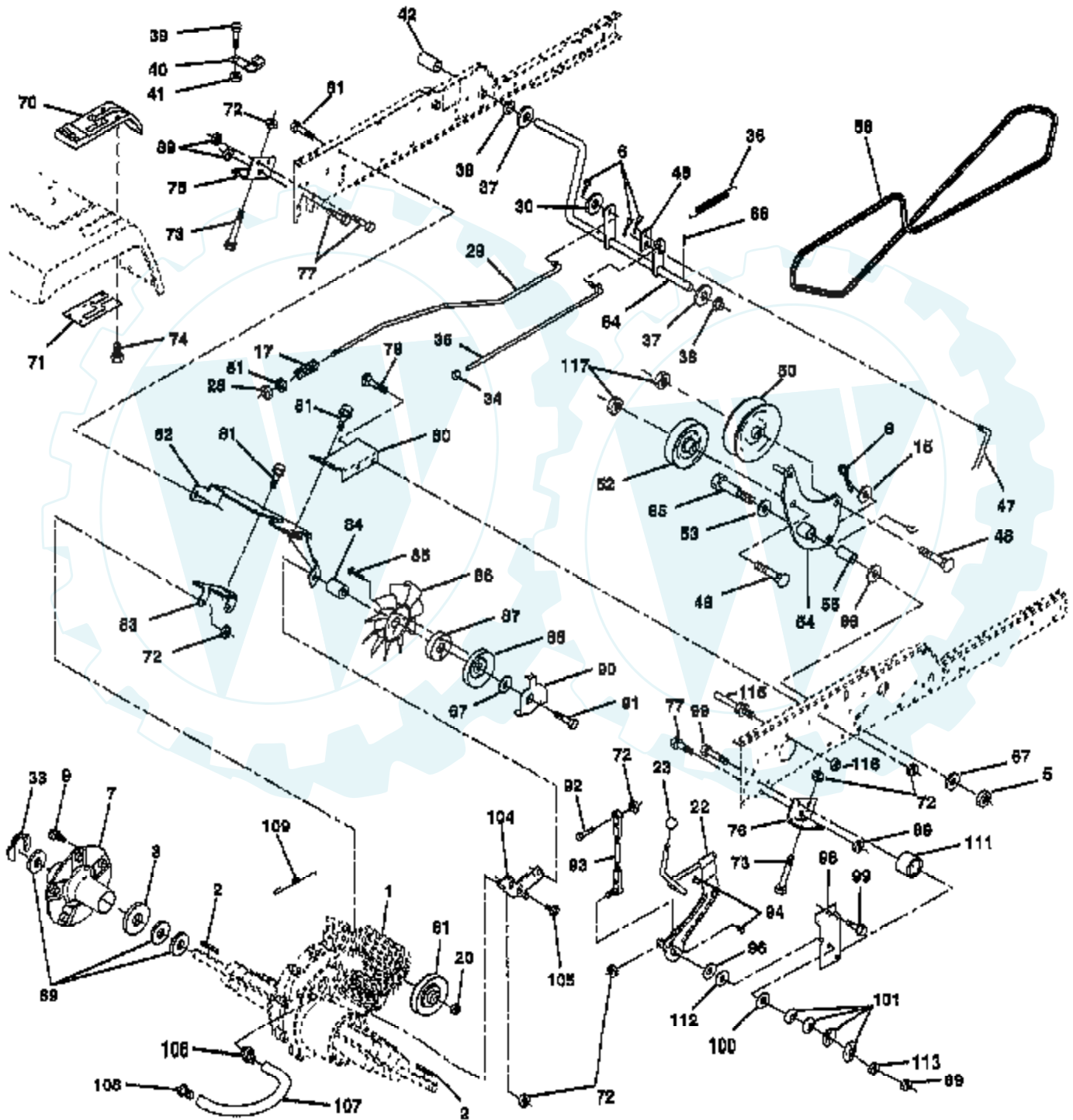
ENGINE



| Ref # | Part Number | Qty | Description |
|-------|-------------|-----|---------------------|
| 1 | SUPPLIER | | CHECK WITH SUPPLIER |
| 2 | 161063 | | MUFFLER.SIDE.VGT |
| 5 | 13200300 | | ELBOW |
| 7 | 151396 | | GUARD.MUFFLER.ASM |
| 8 | 121361X | | SUB= 139123 |
| 9 | 150828 | | KEEPER ASM BELT |
| 10 | 105432X | | BUSHING. |
| 11 | 140923 | | SUB= 150283 |
| 12 | 143996 | | PULLEY.ENG.CLUTCH |
| 15 | 151346 | | TANK FUEL REAR |
| 16 | 109227X | | PAD IDLER TI |
| 17 | 106082X | | PAD-SPACER LT |
| 18 | 140527 | | CAP ASM FUEL |
| 19 | 13290300 | | PLUG T |
| 20 | 143885 | | CONTROL.TRTL.37 |
| 21 | 17720410 | | SCREW LT |
| 22 | 132779 | | CHOKE CONTROL |
| 24 | 11050600 | | LOCKWASHER |
| 25 | 73920600 | | "NUT,KEPS 3/8-24IM" |
| 26 | 3645J | | BUSHING OUTLET T |
| 27 | 139277 | | STEM.TANK.FUEL |
| 28 | 7834R | | SUB= 8542R |
| 29 | 132920 | | SPARK ARREST KIT |
| 35 | 10010500 | | WASHER.SPLIT |
| 37 | 123487X | | HOSE CLAMP |
| 38 | 17060620 | | SCREW |
| 39 | 17490636 | | SCREW.3/8-16X2.25 |
| 40 | 17490664 | | SCREW.TT.3/8-16X4 |
| 41 | 126197X | | WASHER |
| 42 | 10040700 | | LOCKWASHER |
| 43 | 150280 | | BOLT.7/16-20X4.25 |
| 45 | 128861 | | NUT |
| 47 | 142040 | | SPACER.ENGINE |
| 48 | 19132007 | | WASHER T |
| 50 | 161862 | | DUCT AIR INTAKE |
| 51 | 161231 | | MANIFOLD.PIPE.VGT |
| 53 | 161829 | | ROD SUPT HOOD DUC |
| 55 | 13280336 | | PIPE NIPPLE LT |
| 64 | 17490612 | | SCREW |
| 65 | 19131614 | | WASHER |
| 69 | 24-041-02 | | GASKET |
| 74 | 162295 | | ELBOW STREET BASS |
| 80 | M73030800 | | NUT FLANGE M8-125 |

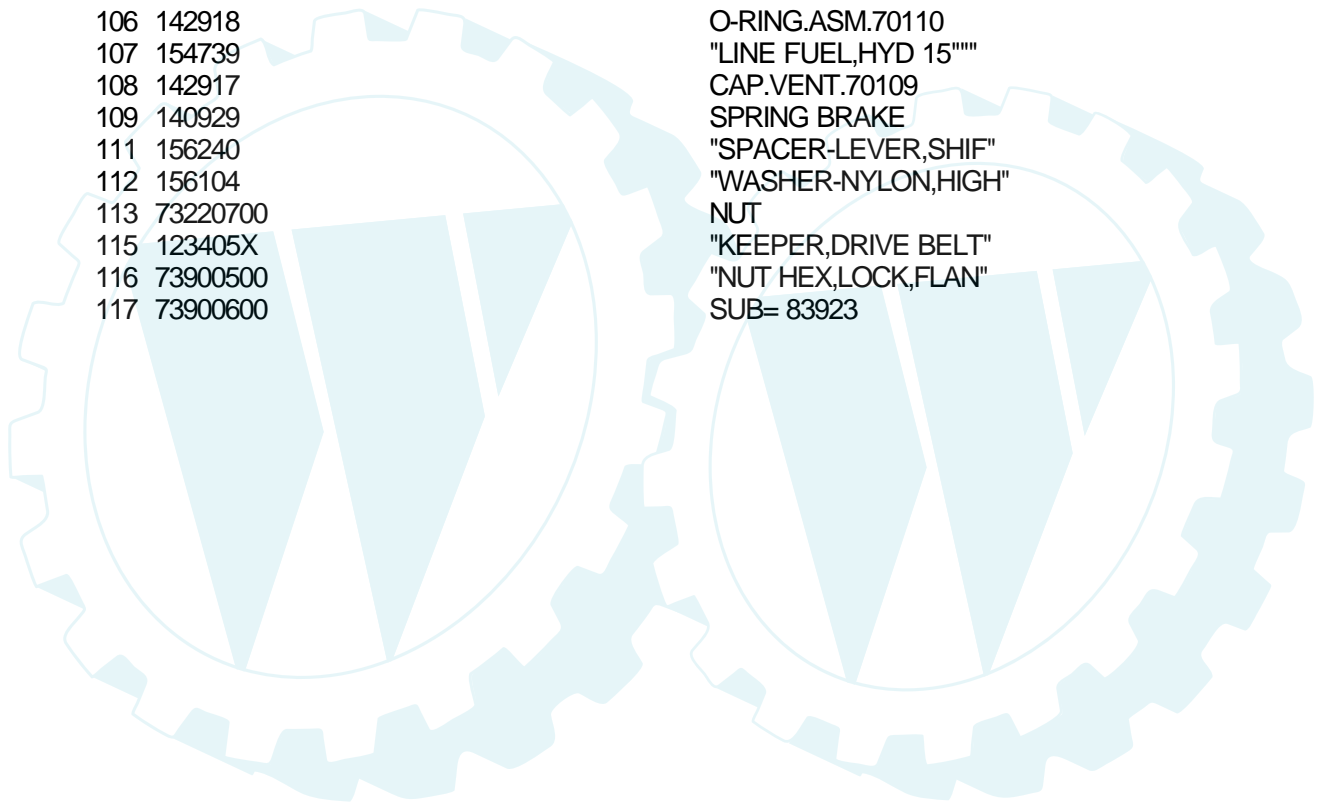
TRACTOR - - MODEL NUMBER YPQGT22H46A

GROUND DRIVE



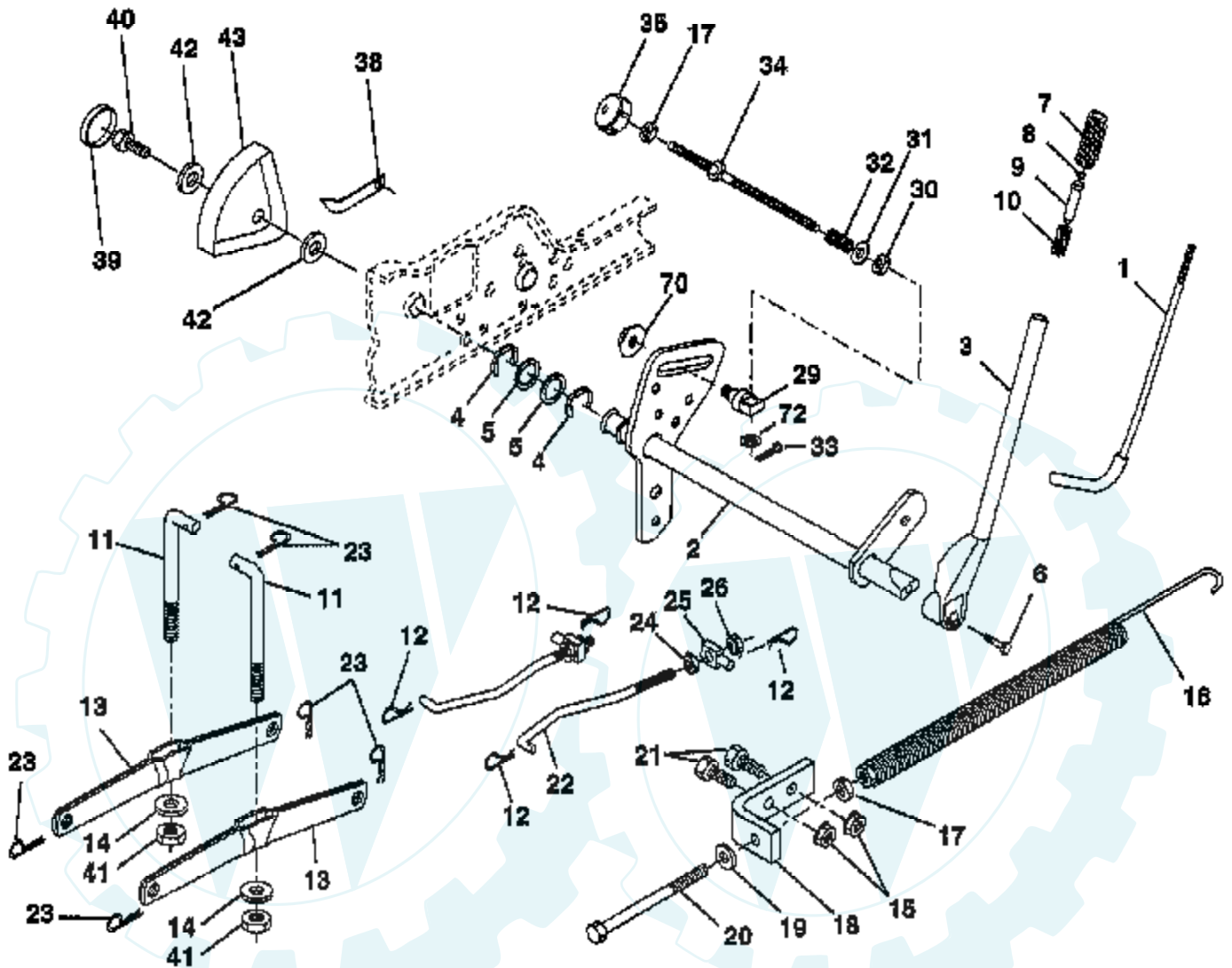
| Ref # | Part Number | Qty | Description |
|-------|-------------|-----|--------------------------------|
| 1 | SUPPLIER | | CHECK WITH SUPPLIER |
| 2 | 7070E | | KEY 1/4 X 2.5 |
| 3 | 7563R | | WASHER T |
| 5 | 73680600 | | SUB= 73690600 |
| 6 | 76020412 | | COTTER PIN |
| 7 | 140507 | | HUB WHEEL ASM |
| 9 | 140080 | | BOLT.HUB.WHL.REAR |
| 15 | 19131316 | | WASHER |
| 17 | 140921 | | SPRING ROD BRAKE |
| 20 | 73940800 | | SUB= 73360800 |
| 22 | 156103 | | ARM ASM SHIFT |
| 23 | 140845 | | KNOB DLX BLK/BLK |
| 28 | 73350600 | | NUT |
| 29 | 140494 | | ROD BRAKE |
| 30 | 19131616 | | WASHER HYT |
| 33 | 12000053 | | E RING HYT |
| 34 | 71673 | | PLUNGER CAP T |
| 35 | 137648 | | ROD BRAKE PART GT |
| 36 | 149412 | | SPRING.GRND.DRIVE |
| 37 | 121749X | | WASHER |
| 38 | 150035 | | BUSHING.NYLINER |
| 39 | 74321016 | | SCREW |
| 40 | 5304J | | ACT-SWITCH T |
| 41 | 73661000 | | NUT.FLANGE |
| 42 | 123533X | | "COVER,PEDAL" |
| 46 | 145170 | | RETAINER.SPRING |
| 47 | 138228 | | ROD.CLUTCH |
| 48 | 72110612 | | BOLT.3/8-16X1.50 |
| 50 | 131494 | | FLAT IDLER PULLEY |
| 51 | 73800600 | | NUT |
| 52 | 139123 | | PULLEY.IDLER.V.GR |
| 53 | 207J | | WASHER T |
| 54 | 161590 | | CLUTCH.ARM.ASM |
| 55 | 105706X | | "LY, BEARING" |
| 56 | 140218 | | BELT-V 84.5 |
| 61 | 140488 | | PULLEY TRANSAXLE |
| 64 | 154752 | | SHAFT-BRAKE/CLUTC |
| 65 | 67609 | | AXLE BOLT |
| 66 | 140296 | | WASHER.HARD.BLADE |
| 67 | 19131312 | | WASHER |
| 68 | 5142H | | ROLL PIN STD |
| 69 | 123800X | | WASHER |
| 70 | 164892X428 | | CONSOLE.SHIFT.AUTO.YT/GT.BLACK |
| 71 | 151179 | | "PLATE CONSOLE,SFT" |
| 72 | 73800500 | | NUT |
| 73 | 74490548 | | BOLT.HEX.FLGHD. |
| 74 | 142432 | | SCREW HEXWSH H-L |
| 76 | 140481 | | BRACKET TRAN VGTH |
| 77 | 74760716 | | BOLT |
| 79 | 72110505 | | BOLT |
| 80 | 140484 | | BRACKET TORQUE RH |
| 81 | 17060612 | | SCREW |
| 82 | 150586 | | BRACKET.MTG.FAN |
| 83 | 140479 | | STRAP TORQUE MID |
| 84 | 140490 | | SPACER |
| 85 | 17541020 | | SCREW YTV |
| 86 | 140462 | | "FAN 7"" HYDRO" |
| 87 | 140491 | | ADAPTER FAN |

| Ref # | Part Number | Qty | Description |
|-------|-------------|-----|--------------------------|
| 88 | 161592 | | PULLEY FAN |
| 89 | 73680700 | | NUT GTV |
| 90 | 140489 | | KEEPER BELT |
| 91 | 17490644 | | SCREW.HXWSH.3/8 |
| 92 | 74760520 | | BOLT |
| 93 | 140502 | | LINK ASM SHIFT |
| 94 | 133835 | | XMAS TREE FASTNER |
| 96 | 141103 | | WASHER NICKEL PLT |
| 98 | 141004 | | BRACKET SHIFT |
| 99 | 17060624 | | SCREW.3/8-16X1-1/2.SMGML |
| 100 | 126881X | | WASHER COMPRESSIN |
| 101 | 156106 | | WASHER-BELLVILLE |
| 104 | 140480 | | BRACKET IDLER |
| 105 | 17580408 | | SCREW CRT |
| 106 | 142918 | | O-RING.ASM.70110 |
| 107 | 154739 | | "LINE FUEL,HYD 15"" |
| 108 | 142917 | | CAP.VENT.70109 |
| 109 | 140929 | | SPRING BRAKE |
| 111 | 156240 | | "SPACER-LEVER,SHIF" |
| 112 | 156104 | | "WASHER-NYLON,HIGH" |
| 113 | 73220700 | | NUT |
| 115 | 123405X | | "KEEPER,DRIVE BELT" |
| 116 | 73900500 | | "NUT HEX,LOCK,FLAN" |
| 117 | 73900600 | | SUB= 83923 |



TRACTOR - - MODEL NUMBER YPQGT22H46A

LIFT ASSEMBLY

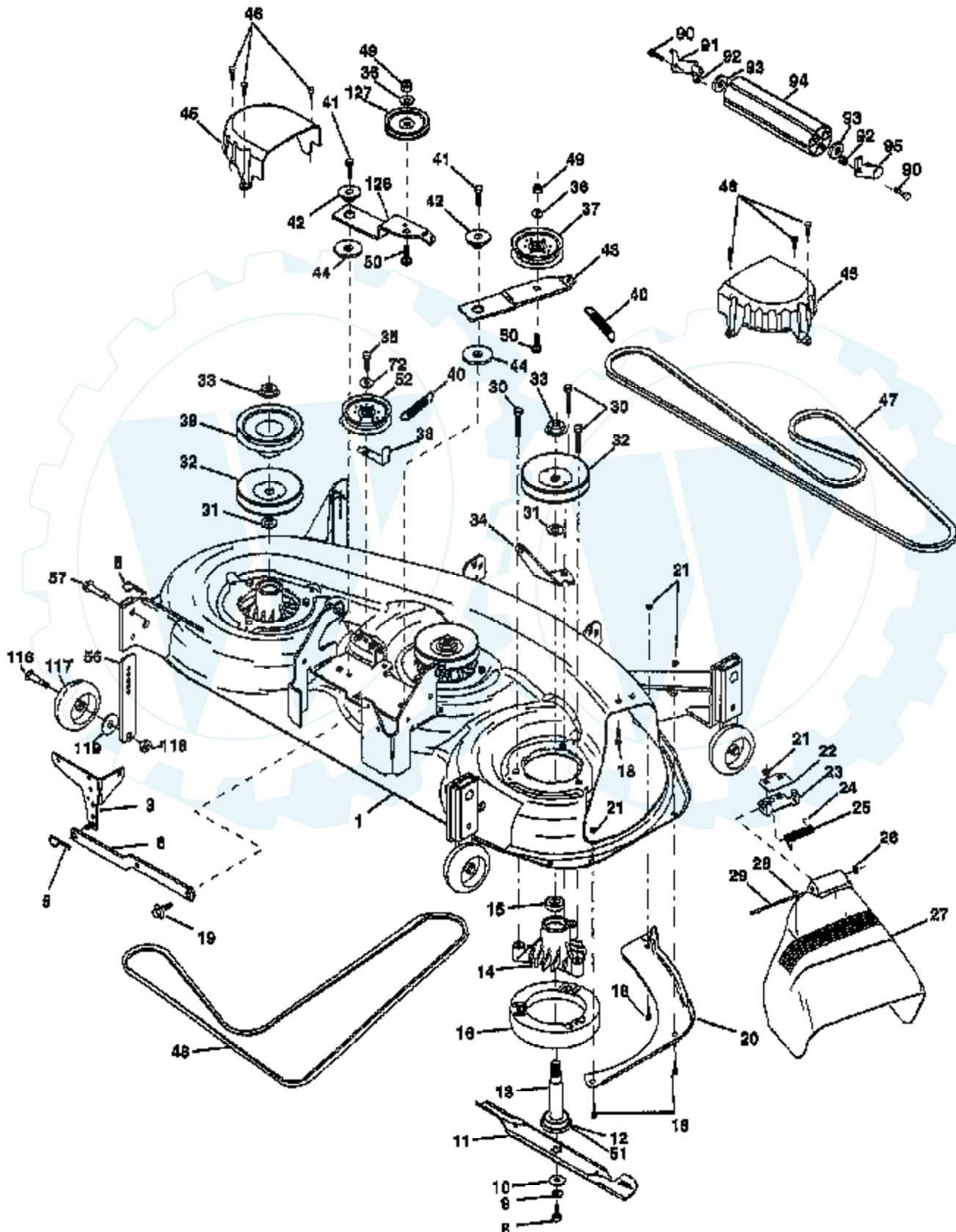


NOTE: All component dimensions given in U.S. inches
1 inch = 25.4 mm

| Ref # | Part Number | Qty | Description |
|-------|-------------|-----|--------------------|
| 1 | 121006X | | LEVER ROD LT |
| 2 | 159187 | | SHAFT.ASM.LIFT.VGT |
| 3 | 159189 | | LEVER.ASM.LIFT.RH |
| 4 | 12000022 | | E-RING |
| 5 | 19292016 | | WASHER |
| 6 | 74780624 | | "BOLT,HEX" |
| 7 | 125631X | | GRIP HANDLE |
| 8 | 124526X | | SUB= 125925X |
| 9 | 122364X | | SUB= 125925X |
| 10 | 2876H | | SPRING T |
| 11 | 146704 | | LINK.LIFT.MWR.VGT |
| 12 | 163552 | | RETAINER SPRING |
| 13 | 139868 | | ARM SUSP REAR |
| 14 | 140302 | | BEARING PVT LH |
| 15 | 73680600 | | SUB= 73690600 |
| 16 | 674A247 | | SUB= 918674A247 |
| 17 | 73350600 | | NUT |
| 18 | 143363 | | BRACKET SPRING AS |
| 19 | 19131316 | | WASHER |
| 20 | 5328J | | BOLT-ADJ SPRING T |
| 21 | 74760616 | | BOLT |
| 22 | 127218 | | LINK.FRONT |
| 23 | 4939M | | SUB= 85902 |
| 24 | 73350800 | | NUT |
| 25 | 130171 | | TRUNION |
| 26 | 73680800 | | NUT LTV |
| 29 | 150233 | | TRUNNION |
| 30 | 110807X | | NUT T |
| 31 | 19131016 | | WASHER |
| 32 | 137150 | | SPRING.COMP.INF.H |
| 33 | 76020308 | | SUB= 3145 |
| 34 | 137167 | | ROD.ADJ.LIFT |
| 35 | 138057 | | KNOB INF 3/8-16 |
| 38 | 155097 | | POINTER-INDICAT |
| 39 | 123935X | | "PLUG,HOLE" |
| 40 | 17490512 | | SCREW |
| 41 | 73540600 | | NUT.CROWNLOCK.3/8 |
| 42 | 19112410 | | WASHER |
| 43 | 123934X | | HEIGHT INDICATOR |
| 70 | 145212 | | NUT.HXFLG.LOCK. |
| 72 | 110452X | | NUT PUSH M |

TRACTOR - - MODEL NUMBER YPQGT22H46A

MOWER DECK



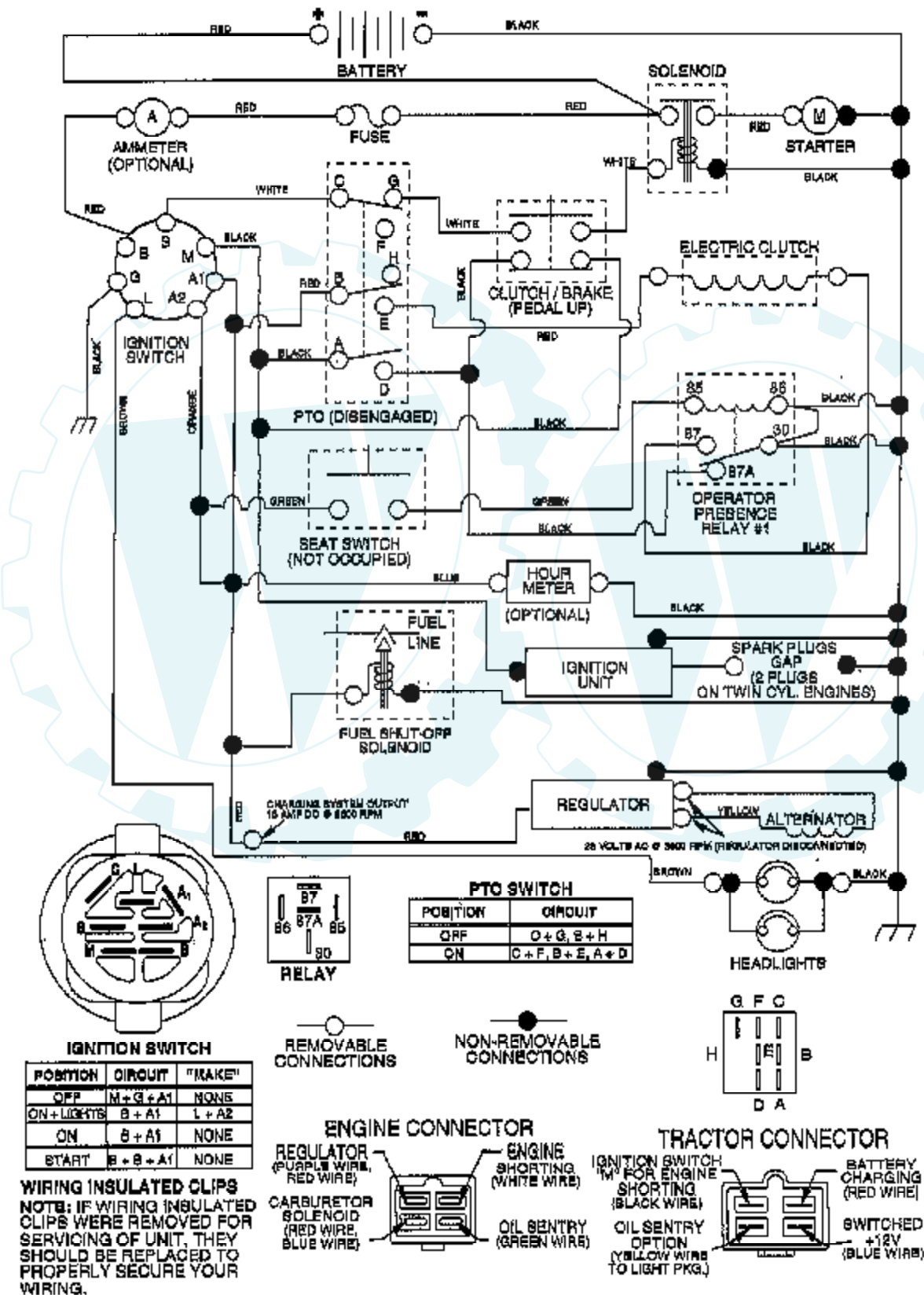
| Ref # | Part Number | Qty | Description |
|-------|-------------|-----|-----------------------|
| 1 | 164811 | | DECK.WELDMENT.MOWER |
| 3 | 138457 | | BRKT.ASM.SW.44/50 |
| 5 | 4939M | | SUB= 85902 |
| 6 | 130832 | | SUB= 130833 |
| 8 | 850857 | | BLADE BOLT |
| 9 | 10030600 | | SUB= 10040600 |
| 10 | 140296 | | WASHER.HARD.BLADE |
| 11 | 157033 | | "BLADE.HIGHLIFT46"" |
| 12 | 129895 | | BEARING.BALL |
| 13 | 137553 | | SHAFT.ASM.W/BRNG |
| 14 | 137152 | | HOUSING.MAND.44.V |
| 15 | 110485X | | BEARING |
| 16 | 140329 | | STRIPPER RND MWR |
| 18 | 72140505 | | BOLT |
| 19 | 132827 | | BOLT SHD 5/16-18 |
| 20 | 145055 | | BAFFLE.VORTEX.46 |
| 21 | 73680500 | | SUB= 73690500 |
| 22 | 134753 | | STIFFENER BRKT |
| 23 | 131267 | | DEFLECTOR BRKT |
| 24 | 105304X | | CAP-SLEEVE LT |
| 25 | 149287 | | SUB= 123713X |
| 26 | 110452X | | NUT PUSH M |
| 27 | 157788 | | SHIELD DEFLECTOR |
| 28 | 19111016 | | WASHER |
| 29 | 131491 | | HINGE ROD |
| 30 | 157722 | | "SCREW-THD ROLL,WA" |
| 31 | 129963 | | WASHER |
| 32 | 153531 | | PULLEY.MAND.36/46 |
| 33 | 137266 | | SUB= 139729 |
| 34 | 144945 | | ANCHOR.SPRING.46 |
| 35 | 17490628 | | SCREW LT |
| 36 | 19131316 | | WASHER |
| 38 | 156086 | | "KEEPER BELT,IDLER" |
| 39 | 144917 | | PULLEY.DRV.DCK.46 |
| 40 | 137273 | | "SPRING.SEC.44""VEN" |
| 41 | 17490620 | | SCREW |
| 42 | 165723 | | SPACER.RETAINER.MOWER |
| 43 | 144949 | | ARM.IDLER.DECK.46 |
| 44 | 133943 | | HARDENED WASHER |
| 45 | 145059 | | COVER.MANDREL.46 |
| 46 | 137729 | | SCREW.1/4-20X5/8 |
| 47 | 144959 | | BELT-V.SEC.46.KEL |
| 48 | 148763 | | BELT.MWR.PRM.85.4 |
| 49 | 73680600 | | SUB= 73690600 |
| 50 | 72110612 | | BOLT.3/8-16X1.50 |
| 51 | 153390 | | WASHER.FELT. |
| 52 | 156493 | | "PULLEY IDLER,FLAT" |
| 56 | 155986 | | SUB= 155986X505 |
| 57 | 156941 | | RIVET-PAN HEAD |
| 72 | 19131616 | | WASHER HYT |
| 90 | 74760616 | | BOLT |
| 91 | 132274 | | SUB= 532132274 |
| 92 | 73800600 | | NUT |
| 93 | 19171416 | | WASHER |
| 94 | 132264 | | SUB= 532132264 |
| 95 | 132273 | | SUB= 532132273 |
| 116 | 137644 | | BOLT SHOULDER |
| 117 | 133957 | | WHEEL GAGE DONUT |

| Ref # | Part Number | Qty | Description |
|-------|-------------|-----|------------------------|
| 118 | 73930600 | | LOCKNUT |
| 119 | 19121414 | | WASHER |
| 126 | 144948 | | ARM.IDLER.PRIM.46 |
| 127 | 146763 | | PULLEY.IDLER.4.25 |
| | 166211 | | "DECK.MOWER SERV. 46"" |
| | 143651 | | MANDREL SERV ASM |



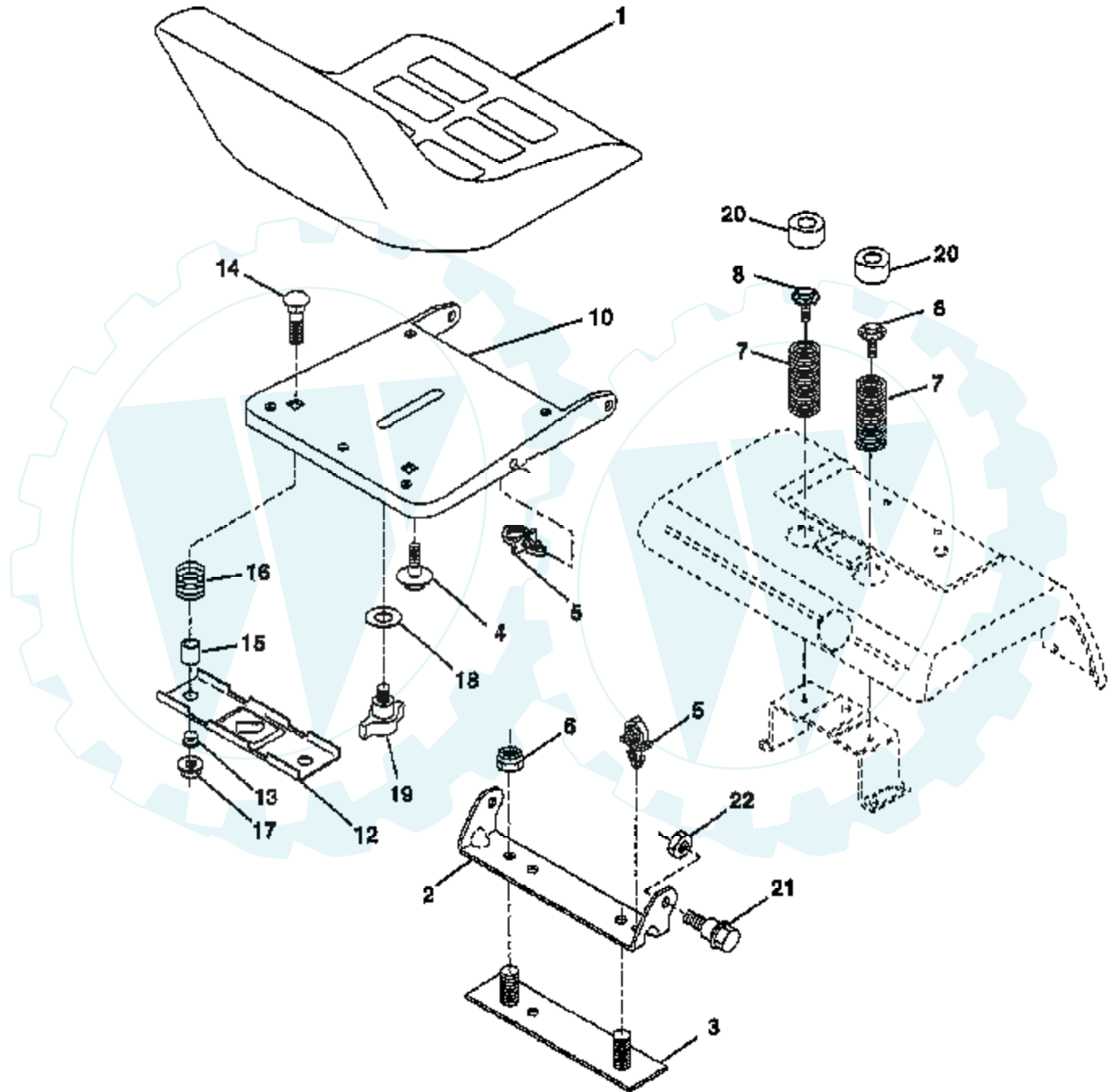
TRACTOR - - MODEL NUMBER YPQGT22H46A

SCHEMATIC



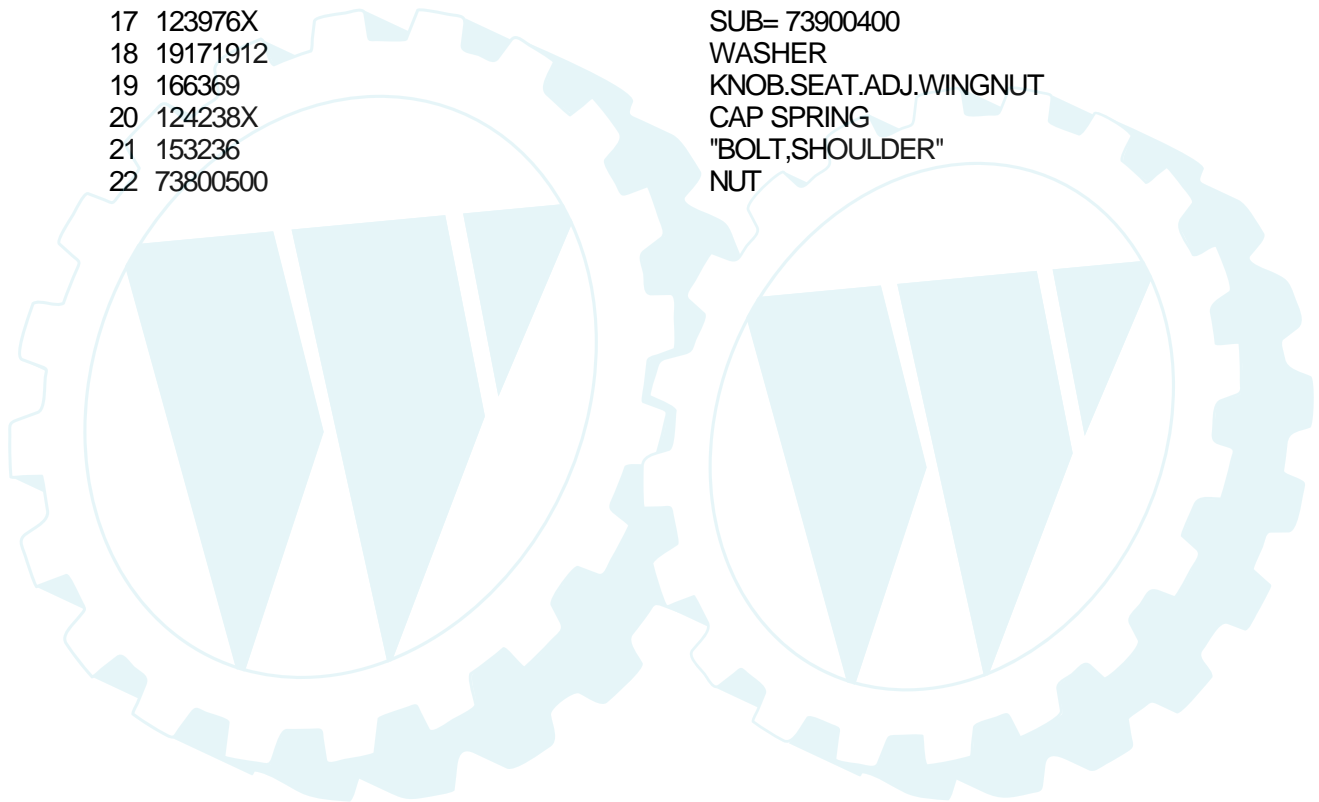
TRACTOR - - MODEL NUMBER YPQGT22H46A

SEAT ASSEMBLY



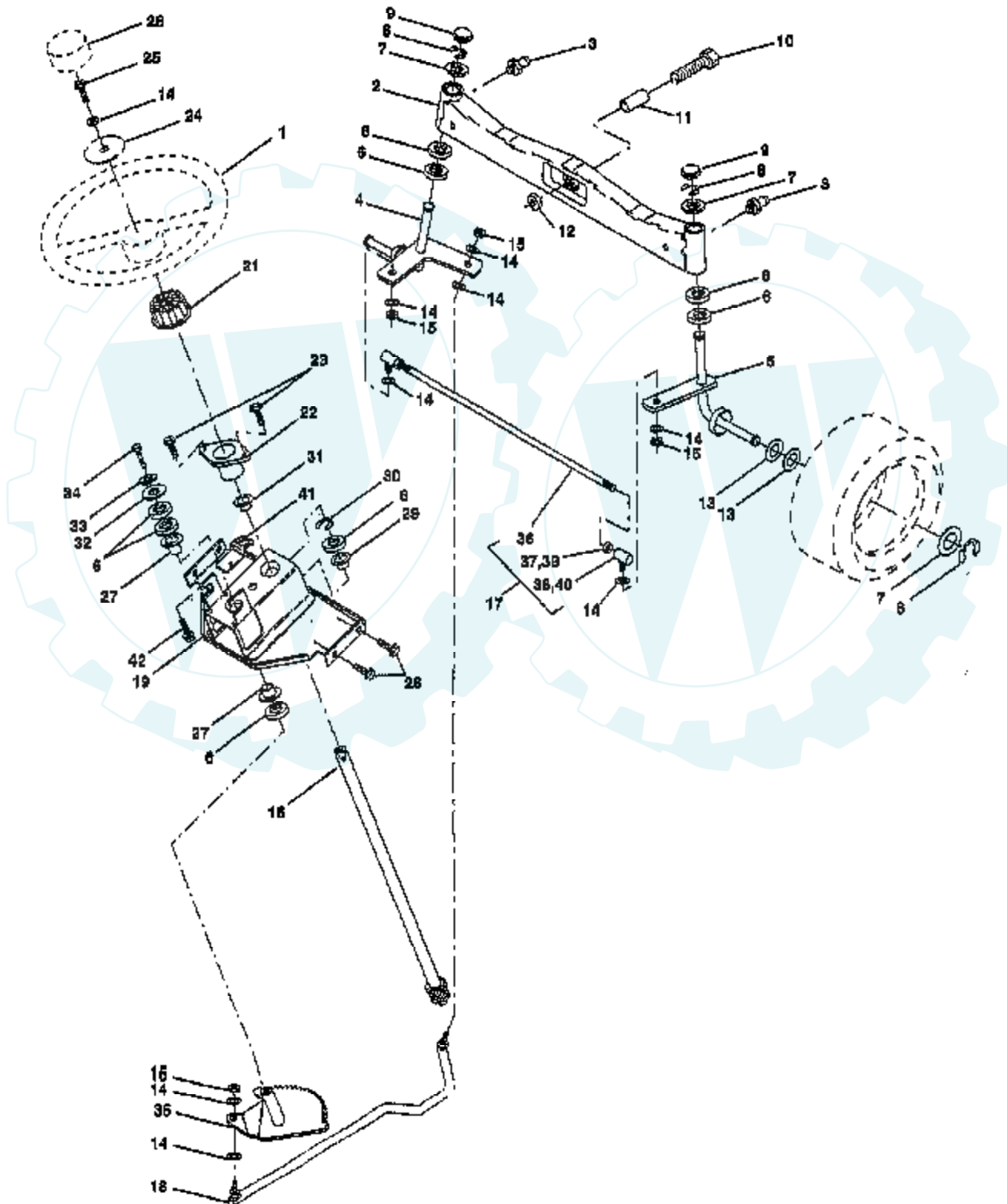
NOTE: All component dimensions given in U.S. inches
1 inch = 25.4 mm

| Ref # | Part Number | Qty | Description |
|-------|-------------|-----|-----------------------|
| 1 | 127440 | | SUB= 140121 |
| 2 | 140551 | | BRACKET PVT SEAT |
| 3 | 140675 | | STRAP ASM FENDER |
| 4 | 127018X | | "BOLT,SHOULDER" |
| 5 | 145006 | | CLIP.PUSH-IN.HING |
| 6 | 73800600 | | NUT |
| 7 | 124181X | | SPRING COMPRESSIO |
| 8 | 150176 | | BOLT.5/16-18.UNC |
| 10 | 155925 | | PAN-SEAT |
| 12 | 121246X | | BRKT SWITCH |
| 13 | 121248X | | BUSHING |
| 14 | 72050412 | | BOLT-RD HD SQ NK |
| 15 | 121249X | | SPACER SPLIT |
| 16 | 123740X | | SPRING COMPRESSED |
| 17 | 123976X | | SUB= 73900400 |
| 18 | 19171912 | | WASHER |
| 19 | 166369 | | KNOB.SEAT.ADJ.WINGNUT |
| 20 | 124238X | | CAP SPRING |
| 21 | 153236 | | "BOLT,SHOULDER" |
| 22 | 73800500 | | NUT |



TRACTOR - - MODEL NUMBER YPQGT22H46A

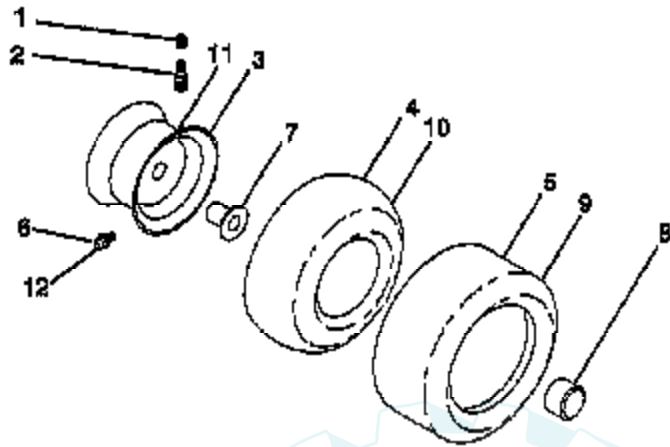
STEERING ASSEMBLY



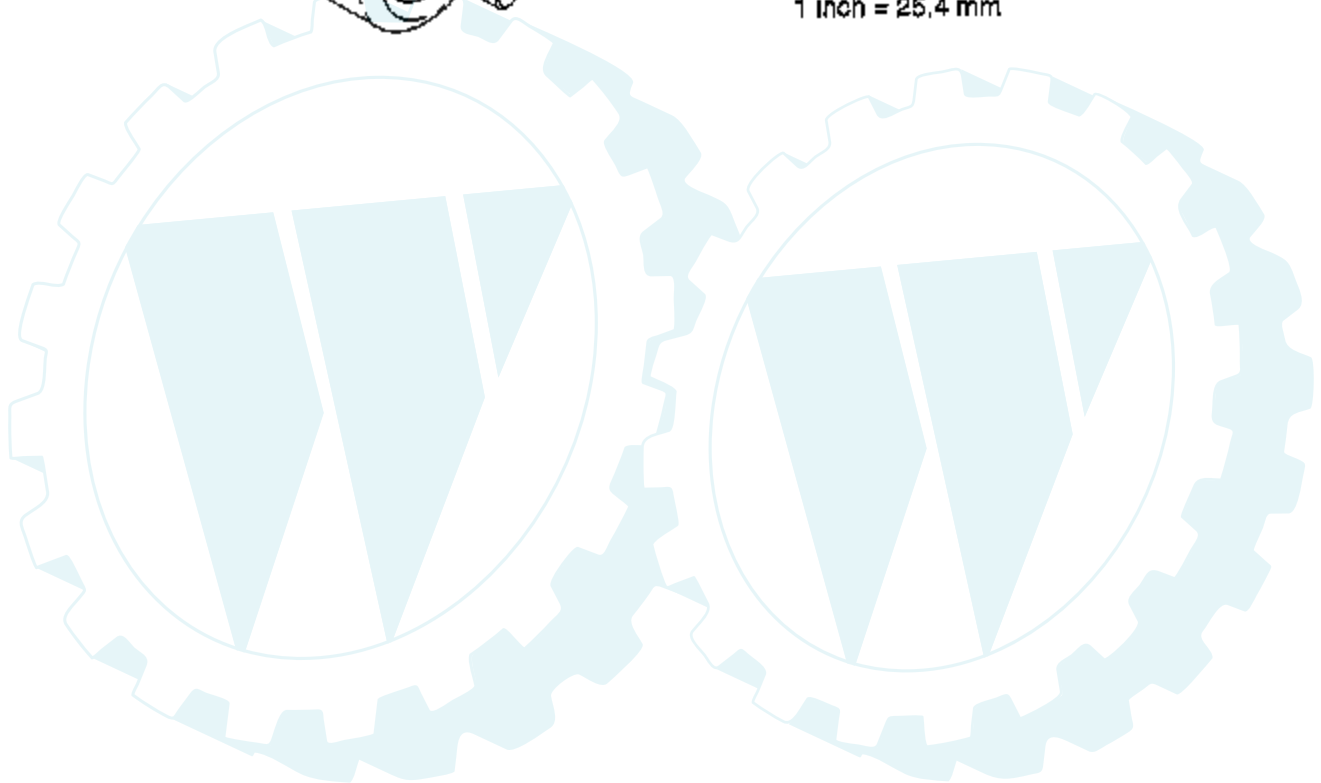
| Ref # | Part Number | Qty | Description |
|-------|-------------|-----|---------------------|
| 1 | 121472X | | SUB= 150546 |
| 2 | 137094 | | SUB= 532137094 |
| 3 | 6855M | | ZERK M |
| 4 | 161849 | | SPINDLE ASM LH |
| 5 | 161848 | | SPINDLE ASM RH |
| 6 | 6266H | | WASHER .T |
| 7 | 121748X | | WASHER |
| 8 | 12000029 | | RING |
| 9 | 121232X | | CAP |
| 10 | 74781044 | | BOLT |
| 11 | 136518 | | SPACER BEARING |
| 12 | 73901000 | | "NUT-LOC,FLANGE LT" |
| 13 | 121749X | | WASHER |
| 14 | 10040600 | | LOCKWASHER |
| 15 | 7810H | | GRIPCO NUT |
| 16 | 145103 | | SHAFT.STEER.VGT |
| 17 | 137347 | | ROD.ASM.TIE.BALL |
| 18 | 137155 | | DRAGLINK.BALL.JOI |
| 19 | 156011 | | SUPPORT ASM-STEER |
| 21 | 100711L | | ADAPTER LT |
| 22 | 155105 | | "BUSHING,STEERING" |
| 23 | 152927 | | "SCREW-TT,10-32 FL" |
| 24 | 19133812 | | WASHER |
| 25 | 74780616 | | BOLT |
| 26 | 126805X | | "INSERT,STR WHEEL" |
| 27 | 3366R | | COL. SRTG. BEAR. |
| 28 | 17060612 | | SCREW |
| 29 | 104239X | | "FLANGE GT, BEAR." |
| 30 | 12000034 | | KLIP RING |
| 31 | 138136 | | BUSHING.NYLINER. |
| 32 | 19111610 | | WASHER |
| 33 | 10040500 | | LOCKWASHER |
| 34 | 74760512 | | BOLT |
| 35 | 138059 | | GEAR.ASM.SECTOR. |
| 36 | 137156 | | SUB= 137347 |
| 37 | 73360600 | | NUT |
| 38 | 109850X | | JOINT.RH |
| 39 | 73700600 | | NUT |
| 40 | 109851X | | JOINT.LH |
| 41 | 155246 | | "BRKT-SW, INTER" |
| 42 | 17490508 | | SCREW LT |

WHEELS & TIRES

TRACTOR - - MODEL NUMBER YPQGT22H46A



NOTE: All component dimensions given in U.S. inches
1 inch = 25.4 mm



| Ref # | Part Number | Qty | Description |
|-------|-------------|-----|--------------------------|
| 1 | 59192 | | VALVE CAP |
| 2 | 65139 | | VALVE STEM LT |
| 3 | 106228X427 | | "RIM ASM 8"" FRT" |
| 4 | PARTSIMAGE | | REFER TO PARTS IMAGE |
| 4 | 8134H | | TUBE.16X6.5/7.5-8 |
| 5 | 106230X | | SUB= 122075X |
| 6 | 278H | | FITTING LT |
| 7 | 9040H | | "FLANGE, BEARING" |
| 8 | 104757X | | HUB CAP |
| 9 | 105588X | | SUB= 122077X |
| 10 | PARTSIMAGE | | REFER TO PARTS IMAGE |
| 10 | 7154J | | TUBE.23X8/10-12 |
| 11 | 106277X427 | | "RIM ASM 12"" REAR" |
| 12 | 6856M | | ZERK FITTING M |
| | 144334 | | SEALANT.TIRE 10 OZ. TUBE |

