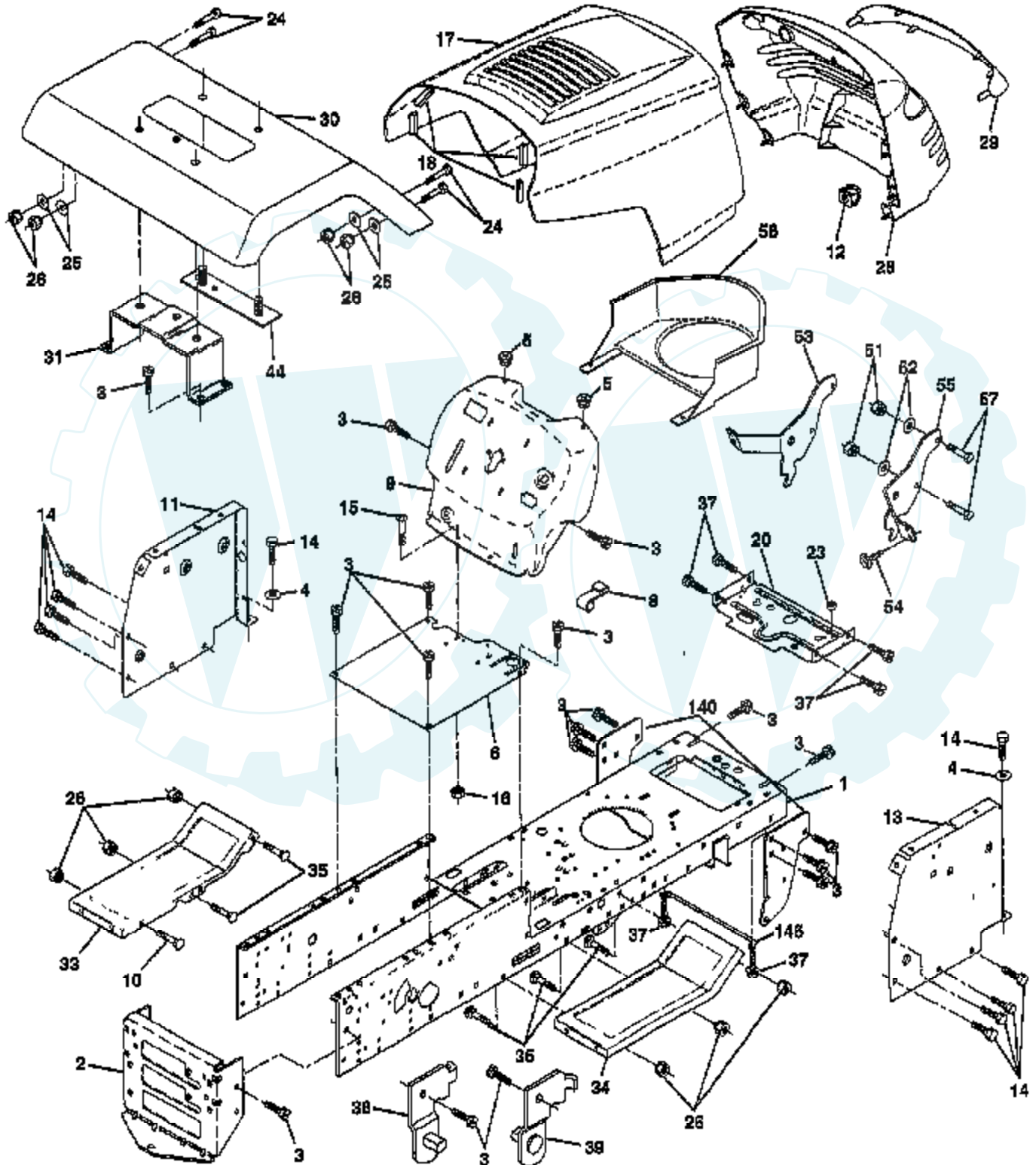


# TRACTOR - - MODEL NUMBER YPQ185H46A

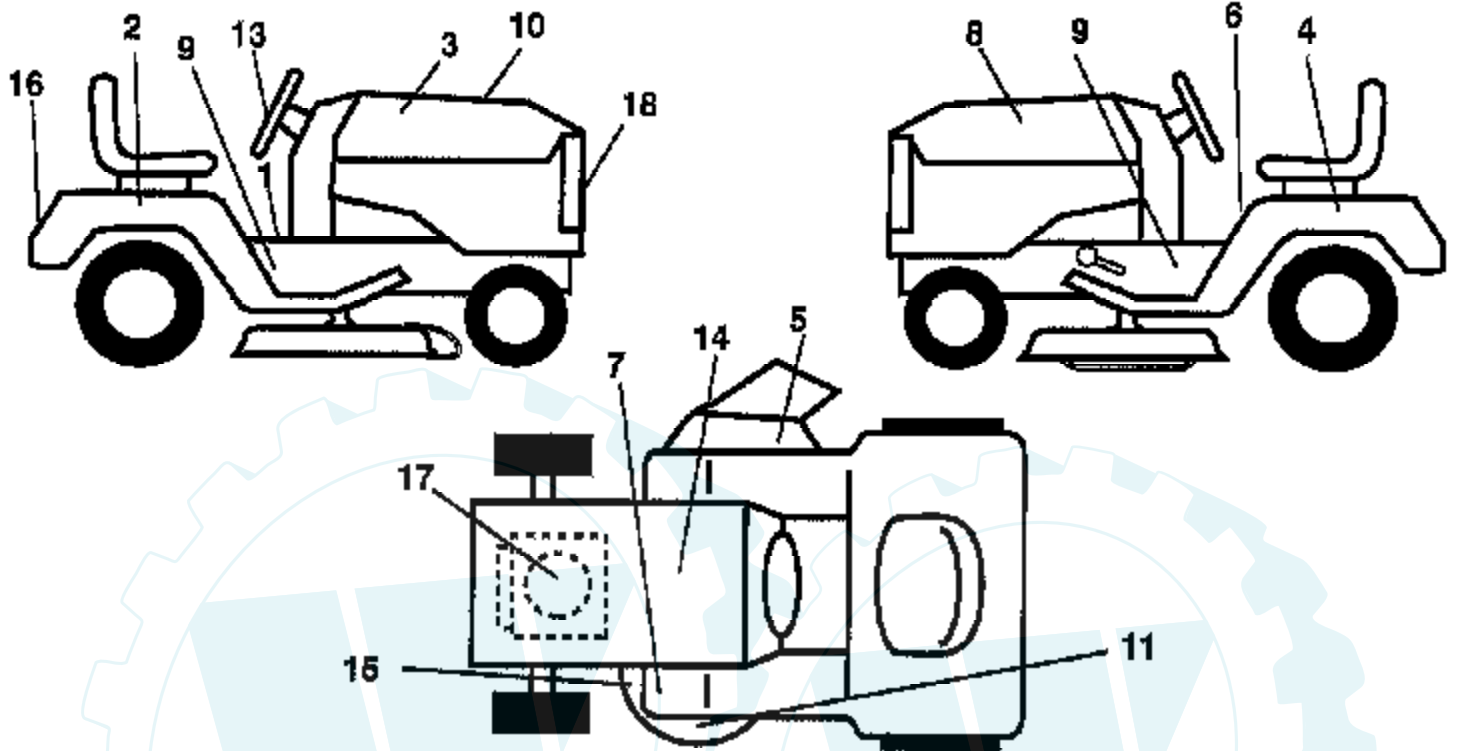
## CHASSIS AND ENCLOSURES



| Ref # | Part Number | Qty | Description              |
|-------|-------------|-----|--------------------------|
| 1     | 165480      |     | CHASSIS.STAMPING         |
| 2     | 140356      |     | SUB= 145009              |
| 3     | 17060612    |     | SCREW                    |
| 4     | 19131216    |     | WASHER                   |
| 5     | 155272      |     | BUMPER-HOOD/DASH         |
| 6     | 155923      |     | SADDLE                   |
| 8     | 126471X     |     | "CLIP,INSULATOR"         |
| 9     | 161938X012  |     | DASH.SILKSCREEN          |
| 10    | 72140608    |     | SUB= 72110608            |
| 11    | 155927      |     | "PANEL-DASH,LH"          |
| 12    | 145660      |     | CLIP.TINNERMAN           |
| 13    | 169117X010  |     | PANEL.ASM.SLKSCR.DASH.RH |
| 14    | 17490608    |     | SCREW LT                 |
| 15    | 74180512    |     | SCREW                    |
| 16    | 73510500    |     | NUT                      |
| 17    | 159639X428  |     | "HOOD W/TRIM,MS428"      |
| 18    | 126938X     |     | SUB= 532126938           |
| 20    | 156437      |     | "PLATE-MTG,BATT/FU"      |
| 23    | 124028X     |     | SUB= 532124028           |
| 24    | 74780616    |     | BOLT                     |
| 25    | 19131312    |     | WASHER                   |
| 26    | 73800600    |     | NUT                      |
| 28    | 157428      |     | GRILL                    |
| 29    | 146654X599  |     | GRILLE.LENS              |
| 30    | 167270X428  |     | FENDER.PNT.YTGT.WS.      |
| 31    | 137113      |     | BRKT.ASM.FENDER          |
| 33    | 145244X428  |     | FOOTREST PNT LH          |
| 34    | 145243X428  |     | FOOTREST.RH.LT/GT        |
| 35    | 72110606    |     | BOLT                     |
| 37    | 17490508    |     | SCREW LT                 |
| 38    | 139886      |     | BRACKET ASM LH           |
| 39    | 139887      |     | BRACKET ASM RH           |
| 44    | 140675      |     | STRAP ASM FENDER         |
| 51    | 73800400    |     | NUT                      |
| 52    | 19091416    |     | WASHER                   |
| 53    | 144697      |     | BRACKET.GRILLE.LH        |
| 54    | 161464      |     | SCREW.HEX.WS.HD          |
| 55    | 144696      |     | BRACKET.GRILLE.RH        |
| 57    | 74780412    |     | SUB= 74780414            |
| 58    | 140547      |     | DUCT.AIR.B&S.18HP        |
| 140   | 158418      |     | BRKT SUSPENSION          |
| 145   | 156524      |     | "ROD POVOT,CHASSIS"      |
|       | 5479J       |     | PLUG BUTTON T            |

## TRACTOR - - MODEL NUMBER YPQ185H46A

### DECALS

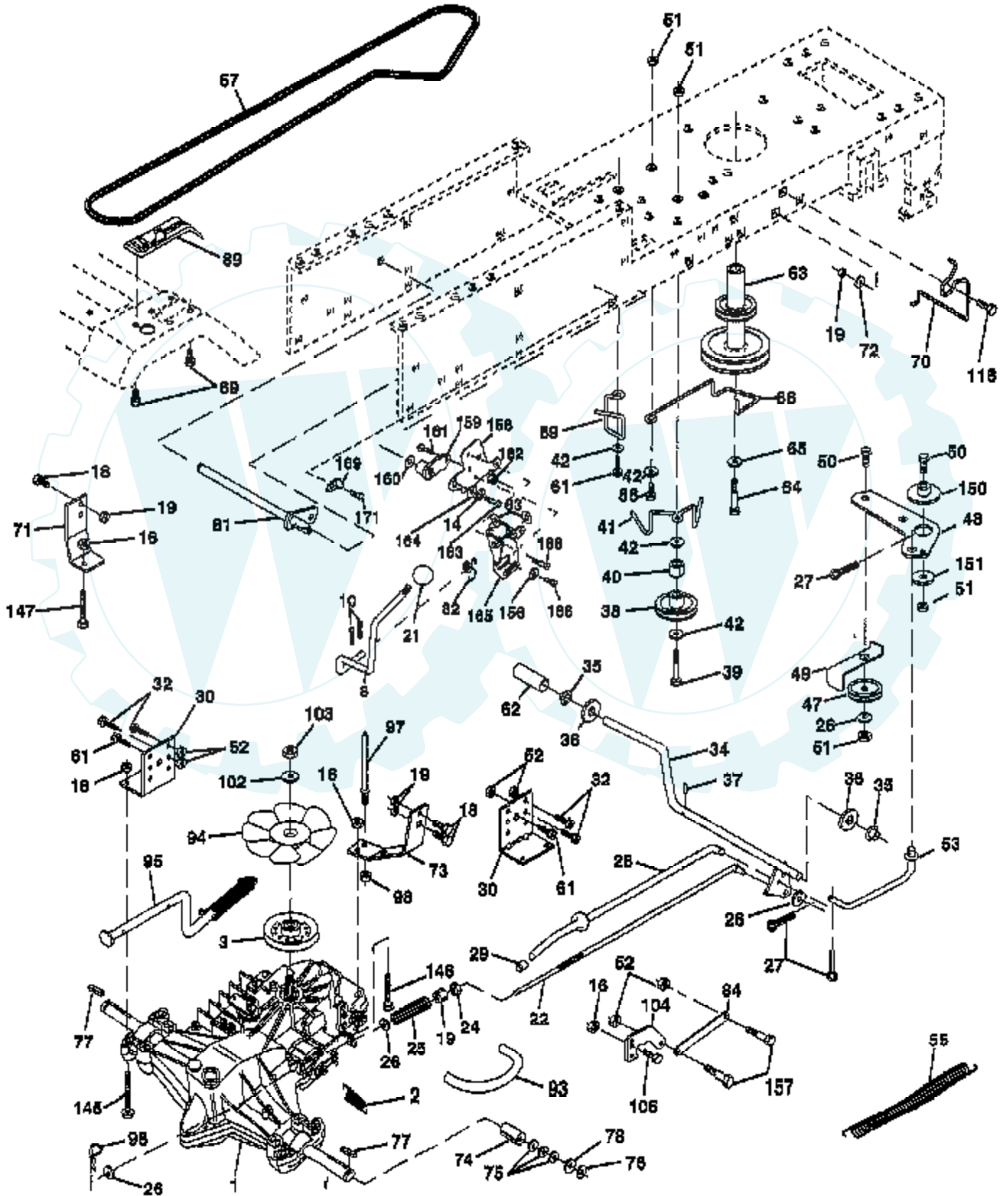


**NOTE:** All component dimensions given in U.S. inches  
1 inch = 25,4 mm.

| Ref # | Part Number | Qty | Description               |
|-------|-------------|-----|---------------------------|
| 1     | 156993      |     | DECAL SADDLE OPER         |
| 2     | 156431      |     | DECAL FENDER RH           |
| 3     | 159947      |     | DECAL HOOD RH18.5         |
| 4     | 156432      |     | DECAL FENDER LH           |
| 5     | 137259      |     | "DECAL, WARNING"          |
| 6     | 157140      |     | DECAL.CAUT.ENG/FR         |
| 7     | 101892X     |     | DECAL T                   |
| 8     | 159950      |     | DECAL HOOD LH18.6         |
| 9     | 158858      |     | "DECAL-CHASSIS,46""       |
| 10    | 169722      |     | DECAL, HOOD REPLACE PARTS |
| 11    | 168548      |     | DECAL.MOWER               |
| 13    | 156428      |     | DECAL INS STRG WH         |
| 14    | 145005      |     | DECAL.BATRY.3-3908        |
| 15    | 139346      |     | "DECAL.V.BELT.44""        |
| 16    | 156412      |     | DECAL FENDER              |
| 17    | 165358      |     | DECAL.HP.ENGINE           |
| 18    | 159210      |     | DECAL LENS                |
|       | 169210      |     | DECAL BY PASS LT HYDRO    |
|       | 138311      |     | DECAL HANDLE LIFT         |
|       | 133671      |     | FOOTREST PAD              |
|       | 169716      |     | MANUAL.O.YPQ185H46A       |
|       | 169717      |     | MANUAL                    |
| 1     | 59192       |     | VALVE CAP                 |
| 2     | 65139       |     | VALVE STEM LT             |
| 3     | 106222X     |     | SUB= 122073X              |
| 4     | PARTSIMAGE  |     | REFER TO PARTS IMAGE      |
| 4     | 59904       |     | TUBE.5.3/4.5/6            |
| 5     | 106732X427  |     | "RIM ASM 6"" FRT"         |
| 6     | 278H        |     | FITTING LT                |
| 7     | 9040H       |     | "FLANGE, BEARING"         |
| 8     | 106108X427  |     | "RIM AS 8"" REAR"         |
| 9     | 122082X     |     | SUB= 918122082X           |
| 10    | PARTSIMAGE  |     | REFER TO PARTS IMAGE      |
| 10    | 7152J       |     | TUBE.18X9.5-8             |
| 11    | 104757X     |     | HUB CAP                   |
|       | 144334      |     | SEALANT.TIRE 10 OZ. TUBE  |

# TRACTOR - - MODEL NUMBER YPQ185H46A

## DRIVE

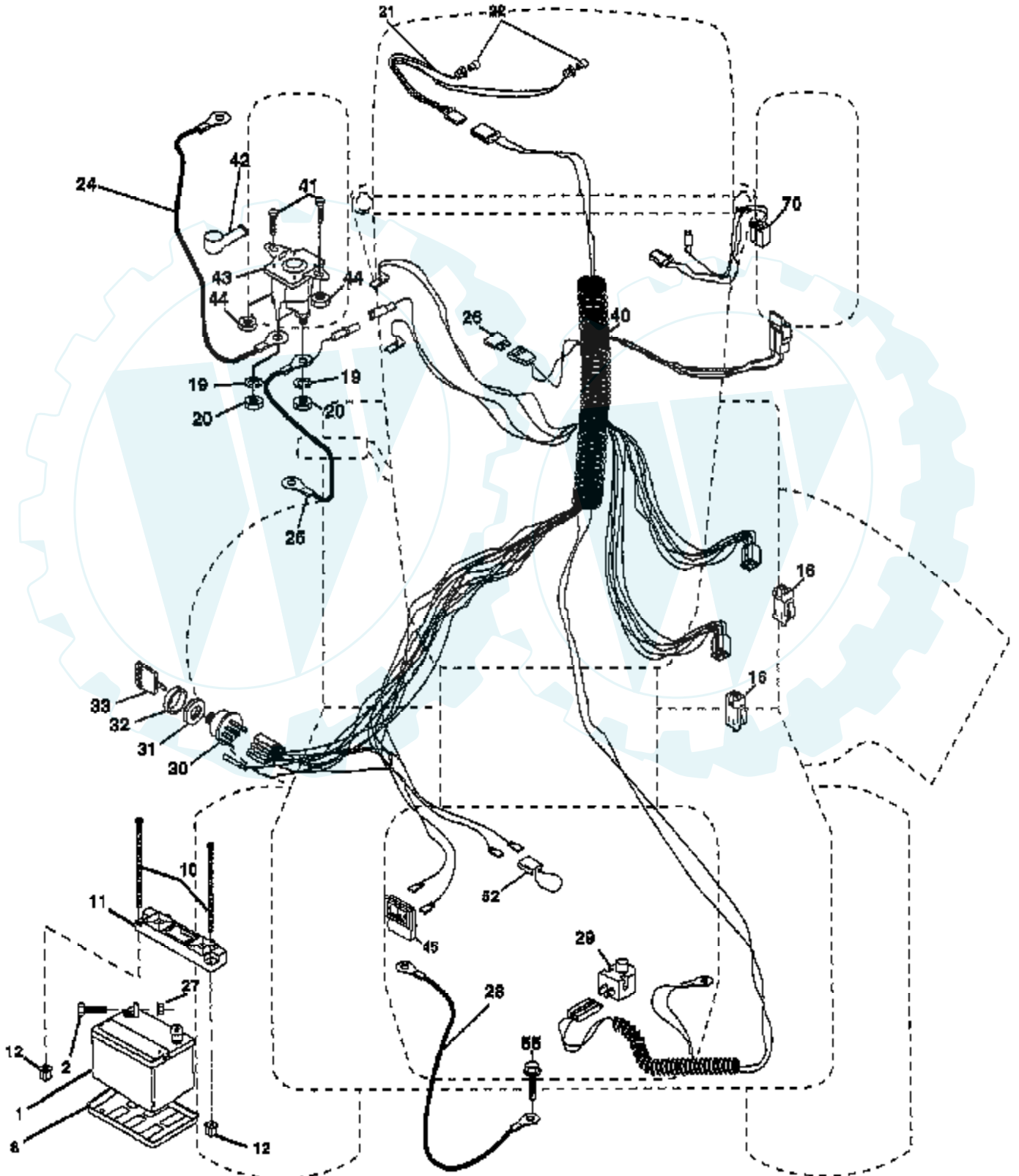


| Ref # | Part Number | Qty | Description              |
|-------|-------------|-----|--------------------------|
| 1     | SUPPLIER    |     | CHECK WITH SUPPLIER      |
| 2     | 142431      |     | SPRING RET BRAKE         |
| 3     | 143995      |     | PULLEY.TRANSAXLE         |
| 8     | 166020      |     | ROD.SHIFT.FEND.ADJ.YT    |
| 10    | 76020416    |     | PIN COTTER 1/8           |
| 14    | 10040400    |     | LOCKWASHER               |
| 16    | 73800500    |     | NUT                      |
| 18    | 74780616    |     | BOLT                     |
| 19    | 73800600    |     | NUT                      |
| 21    | 121274X     |     | KNOB.DUCKHEAD.1/2        |
| 22    | 145627      |     | ROD.BRAKE.HYDRO.         |
| 24    | 73350600    |     | NUT                      |
| 25    | 106888X     |     | SPRING ROD LT            |
| 26    | 19131316    |     | WASHER                   |
| 27    | 76020412    |     | COTTER PIN               |
| 28    | 145204      |     | ROD.BRAKE.PARK.LT        |
| 29    | 71673       |     | PLUNGER CAP T            |
| 30    | 130807      |     | TRANSAXLE MTG BKT        |
| 32    | 74760512    |     | BOLT                     |
| 34    | 155071      |     | SHAFT ASM-PEDAL F        |
| 35    | 120183X     |     | NYLON BEARING            |
| 36    | 19211616    |     | WASHER LT                |
| 37    | 1572H       |     | SUB= 2882J               |
| 38    | 131494      |     | FLAT IDLER PULLEY        |
| 39    | 74760644    |     | BOLT                     |
| 40    | 4470J       |     | SPACER T                 |
| 41    | 165838      |     | "KEEPER,BELT.IDLER FLAT" |
| 42    | 19131312    |     | WASHER                   |
| 47    | 127783      |     | SUB= 139245              |
| 48    | 154407      |     | BELLCRANK.CLUTCH         |
| 49    | 123205X     |     | RETAIN BELT              |
| 50    | 74760624    |     | SUB= 74930624            |
| 51    | 73680600    |     | SUB= 73690600            |
| 52    | 73680500    |     | SUB= 73690500            |
| 53    | 105710X     |     | "LINK, CLUTCH T"         |
| 55    | 105709X     |     | "SPRING, RETURN LT"      |
| 56    | 74760620    |     | SUB= 74780620            |
| 57    | 140294      |     | "BELT.GD DRV 82""        |
| 59    | 140312      |     | KEEPER BELT CNTSP        |
| 61    | 17060612    |     | SCREW                    |
| 62    | 8883R       |     | PEDAL COVER T            |
| 63    | 140186      |     | PULLEY.ENGINE            |
| 64    | 164975      |     | BOLT.HEX.7/16-20X4.GR.5  |
| 65    | 10040700    |     | LOCKWASHER               |
| 66    | 154778      |     | KEEPER-BELT              |
| 69    | 142432      |     | SCREW HEXWSH H-L         |
| 70    | 156470      |     | "GUIDE.BELT,RH ENG"      |
| 71    | 140158      |     | STRAP TORQ LH HYD        |
| 72    | 19132012    |     | WASHER                   |
| 73    | 156347      |     | "STRAP-TORQUE,RH"        |
| 74    | 121199X     |     | SPACER SPLIT             |
| 75    | 121749X     |     | WASHER                   |
| 76    | 12000001    |     | E-RING LT                |
| 77    | 123583X     |     | SQUARE KEY               |
| 78    | 121748X     |     | WASHER                   |
| 81    | 165591      |     | SHAFT.ASM.CROSS          |
| 82    | 123782X     |     | "SPRING TORSION"         |
| 83    | 19171216    |     | WASHER                   |

| Ref # | Part Number | Qty | Description                    |
|-------|-------------|-----|--------------------------------|
| 84    | 165815      |     | LINK.TRANSAXLE.LT/YT           |
| 89    | 164892X428  |     | CONSOLE.SHIFT.AUTO.YT/GT.BLACK |
| 93    | 142564      |     | "LINE FUEL HYD 4""             |
| 94    | 140462      |     | "FAN 7"" HYDRO"                |
| 95    | 167696      |     | CONTROL.ASM.BYPASS.HYDRO.99    |
| 96    | 4497H       |     | RETAINER M                     |
| 97    | 140469      |     | BOLT KEEPER RH                 |
| 98    | 73510600    |     | NUT                            |
| 102   | 141322      |     | WASHER BELLEVILLE              |
| 103   | 73940800    |     | SUB= 73360800                  |
| 104   | 140156      |     | ARM CONTROL HYDRO              |
| 105   | 71070516    |     | SCREW CAP 5/16-18              |
| 116   | 72110610    |     | BOLT RDHD 3/8-16               |
| 145   | 74490540    |     | BOLT.HEX.FLGHD                 |
| 146   | 74490536    |     | BOLT.HEX.FLGHD.                |
| 147   | 74490524    |     | BOLT.HEX.FLGHD                 |
| 150   | 165850      |     | BUSHING.BELLCRANK.GRD.DR       |
| 151   | 19133210    |     | WASHER                         |
| 156   | 166002      |     | WASHER.SRRTD.5/16              |
| 157   | 153236      |     | "BOLT,SHOULDER"                |
| 158   | 165589      |     | BRKT.SHIFT.MOUNT               |
| 159   | 165494      |     | HUB.SHIFT                      |
| 160   | 19292016    |     | WASHER                         |
| 161   | 72140406    |     | BOLT T                         |
| 162   | 73680400    |     | SUB= 73690400                  |
| 163   | 74780416    |     | NLA                            |
| 164   | 19091010    |     | WASHER.5/8X.281X10GA           |
| 165   | 165623      |     | BRKT.PIVOT.LEVER               |
| 166   | 166880      |     | SCREW.5/16-18X5/8              |
| 168   | 165492      |     | BOLT.SHOULDER.5/16-18X.561     |
| 169   | 165581      |     | PLATE.FASTENING                |
| 171   | 17490608    |     | SCREW LT                       |

# TRACTOR - - MODEL NUMBER YPQ185H46A

## ELECTRICAL

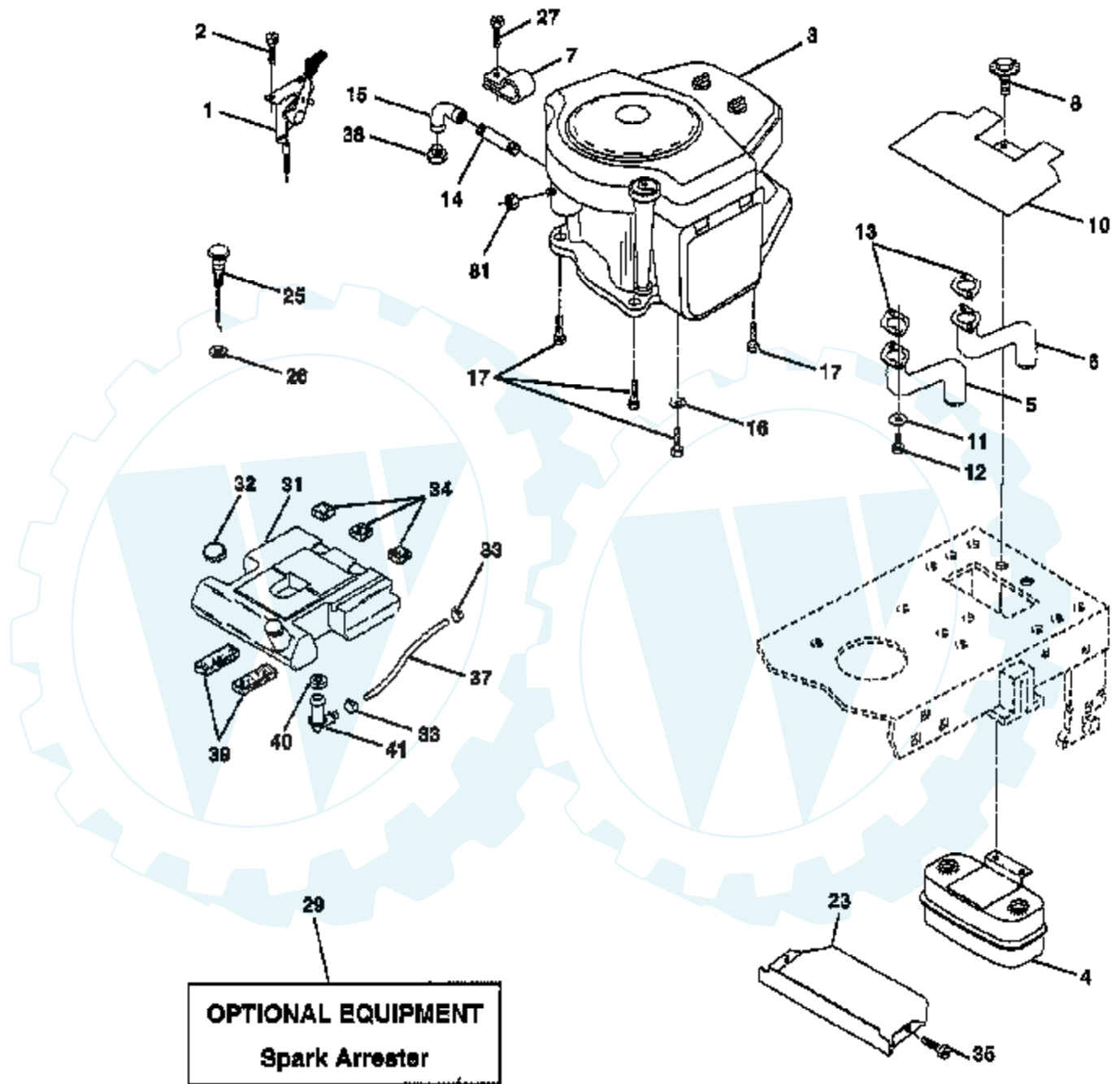




| Ref # | Part Number | Qty | Description              |
|-------|-------------|-----|--------------------------|
| 1     | 144925      |     | SUB= 123899X             |
| 2     | 74760412    |     | BOLT LT                  |
| 8     | 7603J       |     | "TRAY T, BATTERY"        |
| 10    | 145211      |     | SUB= 150177              |
| 11    | 150109      |     | HOLDDOWN BATTERY         |
| 12    | 145769      |     | SUB= 150177              |
| 16    | 153664      |     | SWITCH INTERLOCK         |
| 19    | 10090400    |     | SUB= 10040400            |
| 20    | 73350400    |     | NUT                      |
| 21    | 166181      |     | HARNES.ASM.LIGHT W/4152J |
| 22    | 4152J       |     | HEADLAMP BULB            |
| 24    | 4799J       |     | "CABLE T, BATTERY"       |
| 25    | 146148      |     | CABLE.6GA.22W/16W        |
| 26    | 166180      |     | FUSE.15 AMP              |
| 27    | 73510400    |     | NUT                      |
| 28    | 145491      |     | CABLE.GRND.6GA.21        |
| 29    | 121305X     |     | SWITCH SEAT              |
| 30    | 140301      |     | SWITCH IGN 4POS          |
| 31    | 124211X     |     | NUT IGNITION             |
| 32    | 141226      |     | COVER KEY SWITCH         |
| 33    | 122147X     |     | KEY                      |
| 40    | 166145      |     | HARNES.IGNITION          |
| 41    | 71110408    |     | BOLT HXHD FIN            |
| 42    | 131563      |     | SUB= 154336              |
| 43    | 145673      |     | SUB= 146154              |
| 44    | 73640400    |     | NUT HXKEP 1/4X20         |
| 45    | 121433X     |     | SUB= 122822X             |
| 52    | 141940      |     | PROTECTION LOOP          |
| 55    | 17490508    |     | SCREW LT                 |
| 70    | 166658      |     | HARNES.ENGINE            |

## TRACTOR - - MODEL NUMBER YPQ185H46A

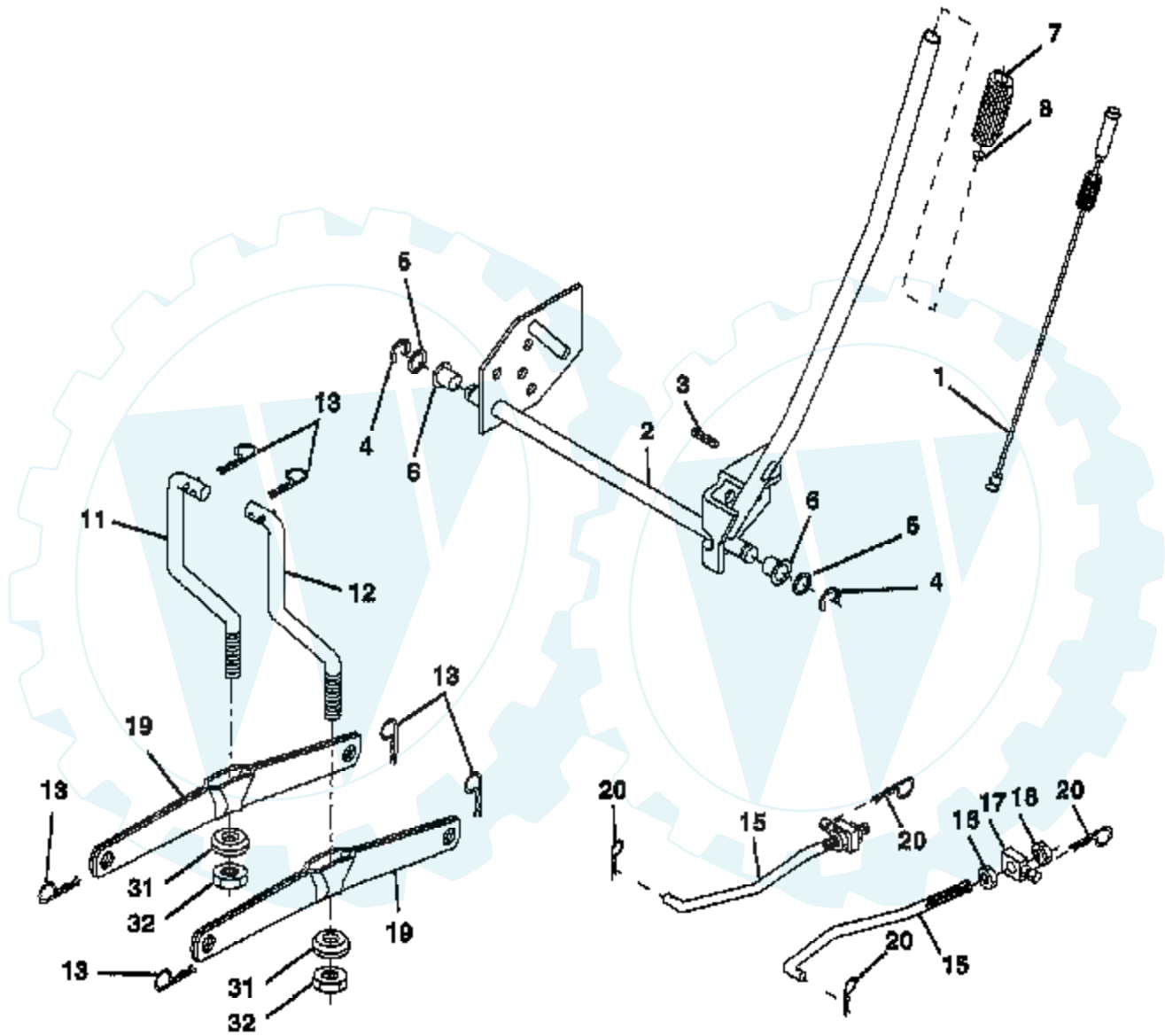
### ENGINE



| Ref # | Part Number | Qty | Description         |
|-------|-------------|-----|---------------------|
| 1     | 141295      |     | CONTROL THRT 35.5   |
| 2     | 17720410    |     | SCREW LT            |
| 3     | SUPPLIER    |     | CHECK WITH SUPPLIER |
| 4     | 149723      |     | MUFFLER.TW.LOTONE   |
| 5     | 144069      |     | EXHAUST.B&S.18.LH   |
| 6     | 144068      |     | EXHAUST.B&S.18.RH   |
| 7     | 138129      |     | CLAMP.TUBE.DBL.EN   |
| 8     | 150176      |     | BOLT.5/16-18.UNC    |
| 10    | 145552      |     | SHIELD.HEAT.        |
| 11    | 10040400    |     | LOCKWASHER          |
| 12    | 74780412    |     | SUB= 74780414       |
| 13    | 165287      |     | GASKET MUFFLER      |
| 14    | 13280336    |     | PIPE NIPPLE LT      |
| 15    | 13200300    |     | ELBOW               |
| 16    | 11050600    |     | LOCKWASHER          |
| 17    | 17490624    |     | SCREW LT            |
| 23    | 159880      |     | SHIELD.BRN/DBR.GD   |
| 25    | 145996      |     | CONTROL.CHOKE.37    |
| 26    | 73920600    |     | "NUT,KEPS 3/8-24IM" |
| 27    | 152927      |     | "SCREW-TT,10-32 FL" |
| 29    | 137180      |     | SUB= 532137180      |
| 31    | 151346      |     | TANK FUEL REAR      |
| 32    | 140527      |     | CAP ASM FUEL        |
| 33    | 123487X     |     | HOSE CLAMP          |
| 34    | 106082X     |     | PAD-SPACER LT       |
| 35    | 17060512    |     | SCREW               |
| 37    | 8543R       |     | FUEL LINE T         |
| 38    | SUPPLIER    |     | CHECK WITH SUPPLIER |
| 39    | 109227X     |     | PAD IDLER TI        |
| 40    | 3645J       |     | BUSHING OUTLET T    |
| 41    | 139277      |     | STEM.TANK.FUEL      |
| 81    | 128861      |     | NUT                 |

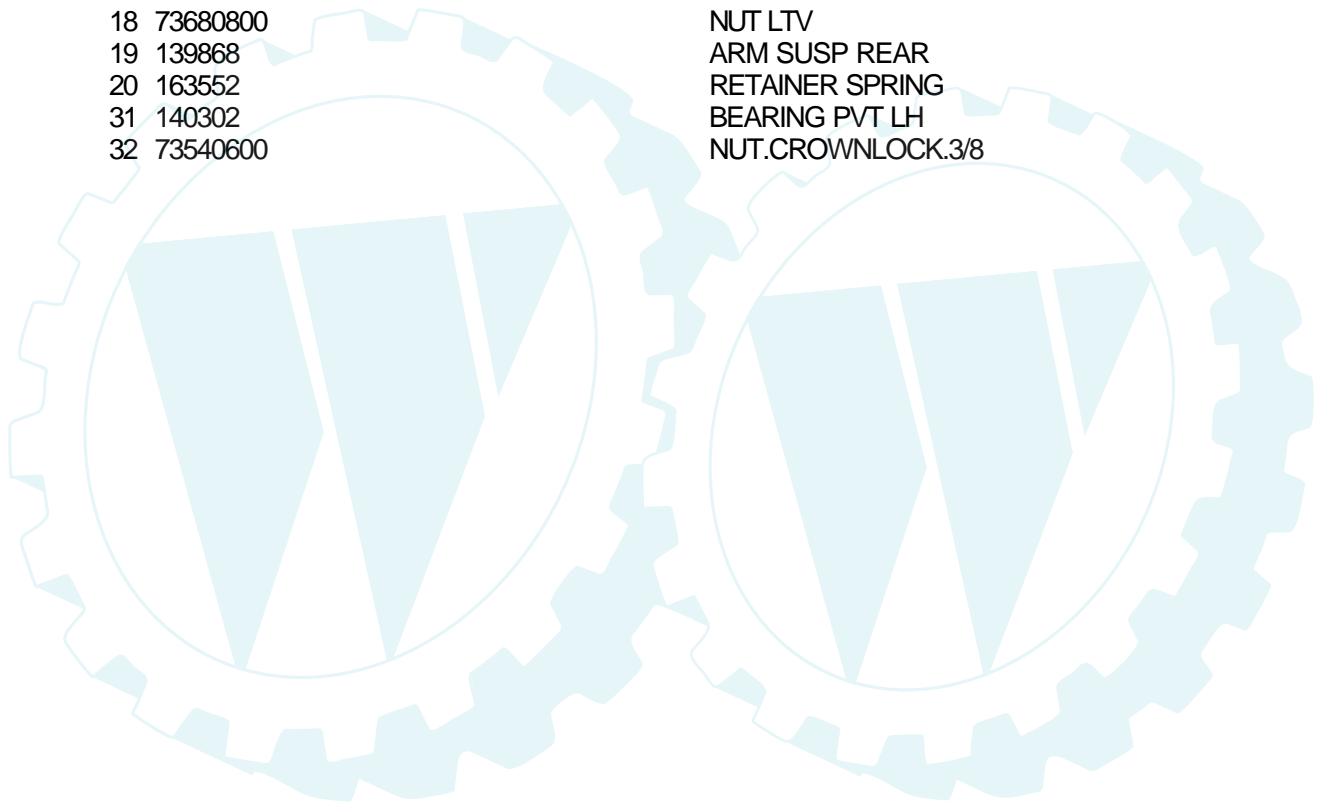
# TRACTOR - - MODEL NUMBER YPQ185H46A

## LIFT



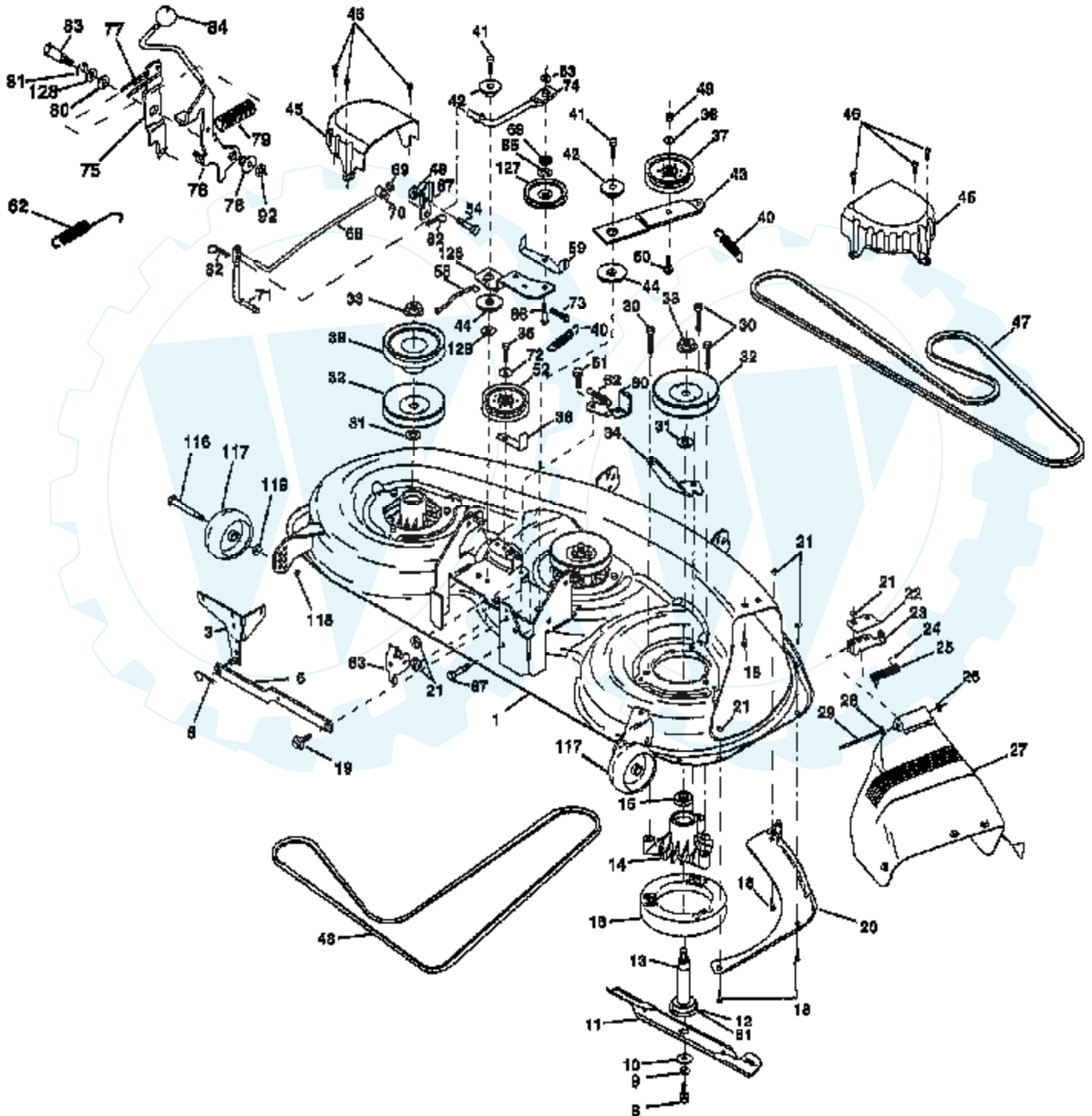
**NOTE:** All component dimensions given in U. S. inches  
1 inch = 25.4 mm

| Ref # | Part Number | Qty | Description         |
|-------|-------------|-----|---------------------|
| 1     | 159460      |     | WIRE ASM W.SPRING   |
| 2     | 159471      |     | "SHAFT ASM LIFT,RH" |
| 3     | 105767X     |     | PIN-GROOVE LT       |
| 4     | 12000002    |     | SUB= 2225J          |
| 5     | 19211621    |     | WASHER              |
| 6     | 120183X     |     | NYLON BEARING       |
| 7     | 125631X     |     | GRIP HANDLE         |
| 8     | 124526X     |     | SUB= 125925X        |
| 11    | 139865      |     | SUB= 918139865      |
| 12    | 139866      |     | SUB= 151140         |
| 13    | 4939M       |     | SUB= 85902          |
| 15    | 127218      |     | LINK.FRONT          |
| 16    | 73350800    |     | NUT                 |
| 17    | 130171      |     | TRUNION             |
| 18    | 73680800    |     | NUT LTV             |
| 19    | 139868      |     | ARM SUSP REAR       |
| 20    | 163552      |     | RETAINER SPRING     |
| 31    | 140302      |     | BEARING PVT LH      |
| 32    | 73540600    |     | NUT.CROWNLOCK.3/8   |



# TRACTOR - - MODEL NUMBER YPQ185H46A

## MOWER DECK



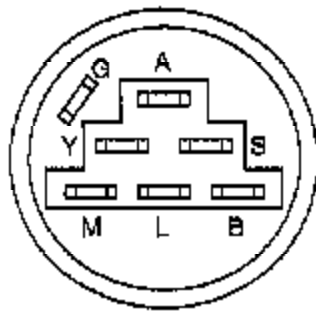
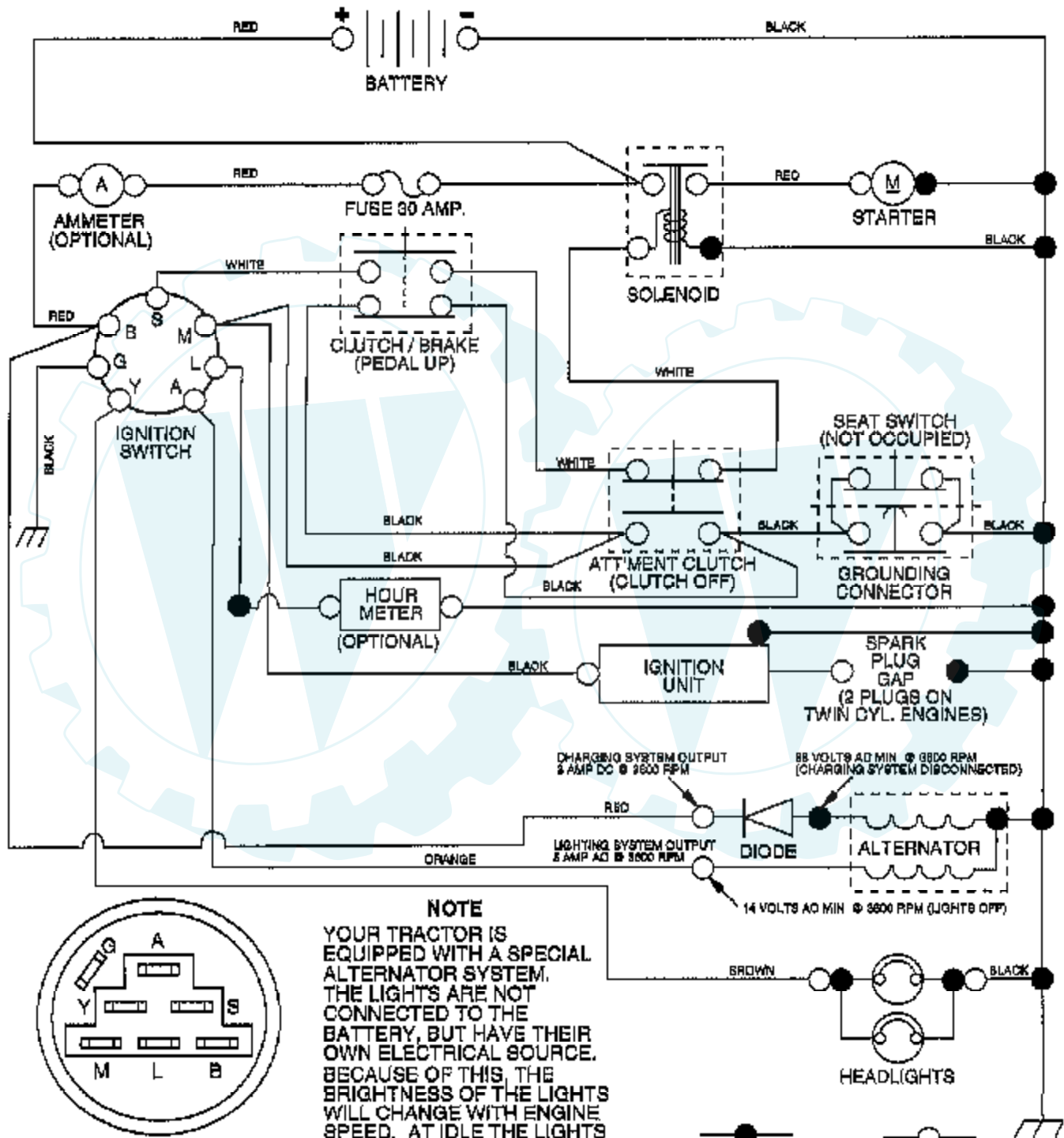
| Ref # | Part Number | Qty | Description           |
|-------|-------------|-----|-----------------------|
| 1     | 164210      |     | "DECK.ASM.MOWER46""   |
| 3     | 138457      |     | BRKT.ASM.SW.44/50     |
| 5     | 4939M       |     | SUB= 85902            |
| 6     | 130832      |     | SUB= 130833           |
| 8     | 850857      |     | BLADE BOLT            |
| 9     | 10030600    |     | SUB= 10040600         |
| 10    | 140296      |     | WASHER.HARD.BLADE     |
| 11    | 163819      |     | "BLADE MULCH 46""     |
| 12    | 129895      |     | BEARING.BALL          |
| 13    | 137553      |     | SHAFT.ASM.W/BRNG      |
| 14    | 137152      |     | HOUSING.MAND.44.V     |
| 15    | 110485X     |     | BEARING               |
| 16    | 140329      |     | STRIPPER RND MWR      |
| 18    | 72140505    |     | BOLT                  |
| 19    | 132827      |     | BOLT SHD 5/16-18      |
| 20    | 145055      |     | BAFFLE.VORTEX.46      |
| 21    | 73680500    |     | SUB= 73690500         |
| 22    | 134753      |     | STIFFENER BRKT        |
| 23    | 131267      |     | DEFLECTOR BRKT        |
| 24    | 105304X     |     | CAP-SLEEVE LT         |
| 25    | 149287      |     | SUB= 123713X          |
| 26    | 110452X     |     | NUT PUSH M            |
| 27    | 157788      |     | SHIELD DEFLECTOR      |
| 28    | 19111016    |     | WASHER                |
| 29    | 131491      |     | HINGE ROD             |
| 30    | 157722      |     | "SCREW-THD ROLL,WA"   |
| 31    | 129963      |     | WASHER                |
| 32    | 153531      |     | PULLEY.MAND.36/46     |
| 33    | 137266      |     | SUB= 139729           |
| 34    | 144945      |     | ANCHOR.SPRING.46      |
| 35    | 17490628    |     | SCREW LT              |
| 36    | 19131316    |     | WASHER                |
| 37    | 131494      |     | FLAT IDLER PULLEY     |
| 38    | 156086      |     | "KEEPER BELT,IDLER"   |
| 39    | 144917      |     | PULLEY.DRV.DCK.46     |
| 40    | 137273      |     | "SPRING.SEC.44""VEN"  |
| 41    | 17060620    |     | SCREW                 |
| 42    | 165723      |     | SPACER.RETAINER.MOWER |
| 43    | 144949      |     | ARM.IDLER.DECK.46     |
| 44    | 133943      |     | HARDENED WASHER       |
| 45    | 145059      |     | COVER.MANDREL.46      |
| 46    | 137729      |     | SCREW.1/4-20X5/8      |
| 47    | 144959      |     | BELT-V.SEC.46.KEL     |
| 48    | 158818      |     | V BELT MOWER          |
| 49    | 73680600    |     | SUB= 73690600         |
| 50    | 72110612    |     | BOLT.3/8-16X1.50      |
| 51    | 153390      |     | WASHER.FELT.          |
| 52    | 156493      |     | "PULLEY IDLER,FLAT"   |
| 53    | 19131312    |     | WASHER                |
| 54    | 74780616    |     | BOLT                  |
| 58    | 156488      |     | "LINK BRAKE, 43""     |
| 59    | 157034      |     | "GUIDE BELT,46""MOW"  |
| 60    | 156722      |     | ARM ASM BRAKE         |
| 61    | 161315      |     | BOLT.SHOULDER.5/16-18 |
| 62    | 131870      |     | RETURN SPRING         |
| 63    | 156473      |     | "BRKT ROD,CLUTCH"     |
| 67    | 74760512    |     | BOLT                  |
| 68    | 156487      |     | SUB= 157060           |

| Ref # | Part Number | Qty | Description       |
|-------|-------------|-----|-------------------|
| 69    | 73350600    |     | NUT               |
| 70    | 142028      |     | TRUNION ADJ       |
| 71    | 133551      |     | PIVOT ROD         |
| 72    | 19131316    |     | WASHER            |
| 73    | 76020412    |     | COTTER PIN        |
| 74    | 156474      |     | LINK CLUTCH       |
| 75    | 127847      |     | CLUTCH ARM SECOND |
| 76    | 160570      |     | LEVER.ASM.CLUTCH  |
| 77    | 127845      |     | SPRING KEEPER     |
| 78    | 127498      |     | BUSHING           |
| 79    | 153701      |     | SPRING.CLUTCH.MWR |
| 80    | 121748X     |     | WASHER            |
| 81    | 12000029    |     | RING              |
| 82    | 4497H       |     | RETAINER M        |
| 83    | 128903      |     | SHOULDER BOLT     |
| 84    | 162132      |     | KNOB.RD.7/16-14   |
| 85    | 10040600    |     | LOCKWASHER        |
| 86    | 158565      |     | "BOLT CARR, SH"   |
| 87    | 158373      |     | BRACKET.EXTENSION |
| 92    | 73800600    |     | NUT               |
| 116   | 137644      |     | BOLT.SHOULDER     |
| 117   | 133957      |     | WHEEL GAGE DONUT  |
| 118   | 73930600    |     | LOCKNUT           |
| 119   | 19121414    |     | WASHER            |
| 126   | 156472      |     | ARM IDLER         |
| 127   | 146763      |     | PULLEY.IDLER.4.25 |
| 128   | 6266H       |     | WASHER .T         |
| 129   | 19133808    |     | WASHER T          |
|       | 143651      |     | MANDREL SERV ASM  |
|       | 164846      |     | DECK COMPLETE     |



## TRACTOR - - MODEL NUMBER YPQ185H46A

### SCHEMATIC



**IGNITION SWITCH**

| POSITION | CIRCUIT   | "MAKE" |
|----------|-----------|--------|
| OFF      | G + M + L | NONE   |
| RUNLIGHT | B + L     | A + Y  |
| RUN      | B + L     | NONE   |
| START    | B + L + S | NONE   |

**NOTE**  
YOUR TRACTOR IS EQUIPPED WITH A SPECIAL ALTERNATOR SYSTEM. THE LIGHTS ARE NOT CONNECTED TO THE BATTERY, BUT HAVE THEIR OWN ELECTRICAL SOURCE. BECAUSE OF THIS, THE BRIGHTNESS OF THE LIGHTS WILL CHANGE WITH ENGINE SPEED. AT IDLE THE LIGHTS WILL DIM. AS THE ENGINE IS SPEEDED UP, THE LIGHTS WILL BECOME THEIR BRIGHTEST.

**WIRING INSULATED CLIPS**

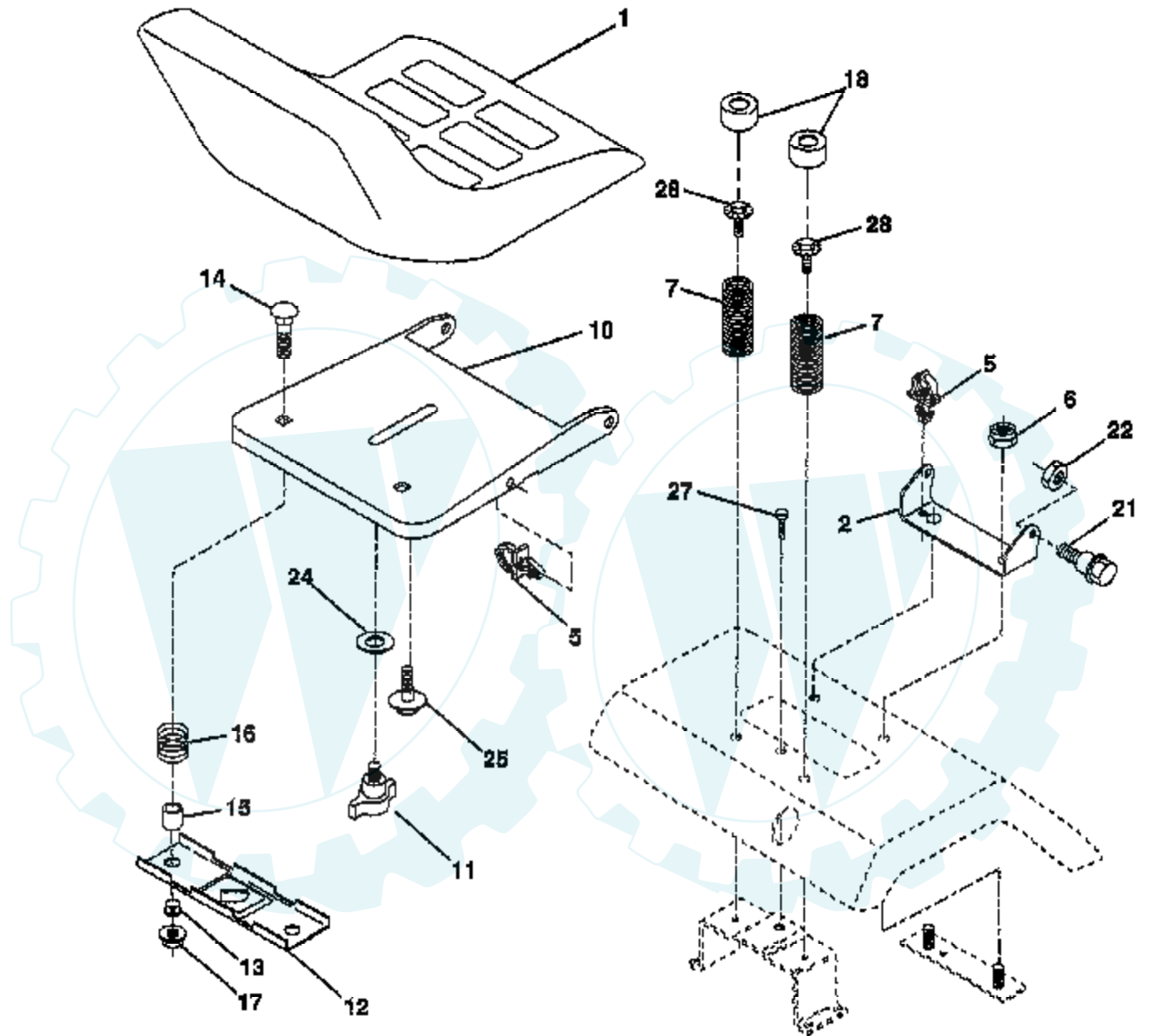
**NOTE:** IF WIRING INSULATED CLIPS WERE REMOVED FOR SERVICING OF UNIT, THEY SHOULD BE REPLACED TO PROPERLY SECURE YOUR WIRING.

Der Ersatzteilspezialist im Internet.

NON-REMOVABLE CONNECTIONS      REMOVABLE CONNECTIONS

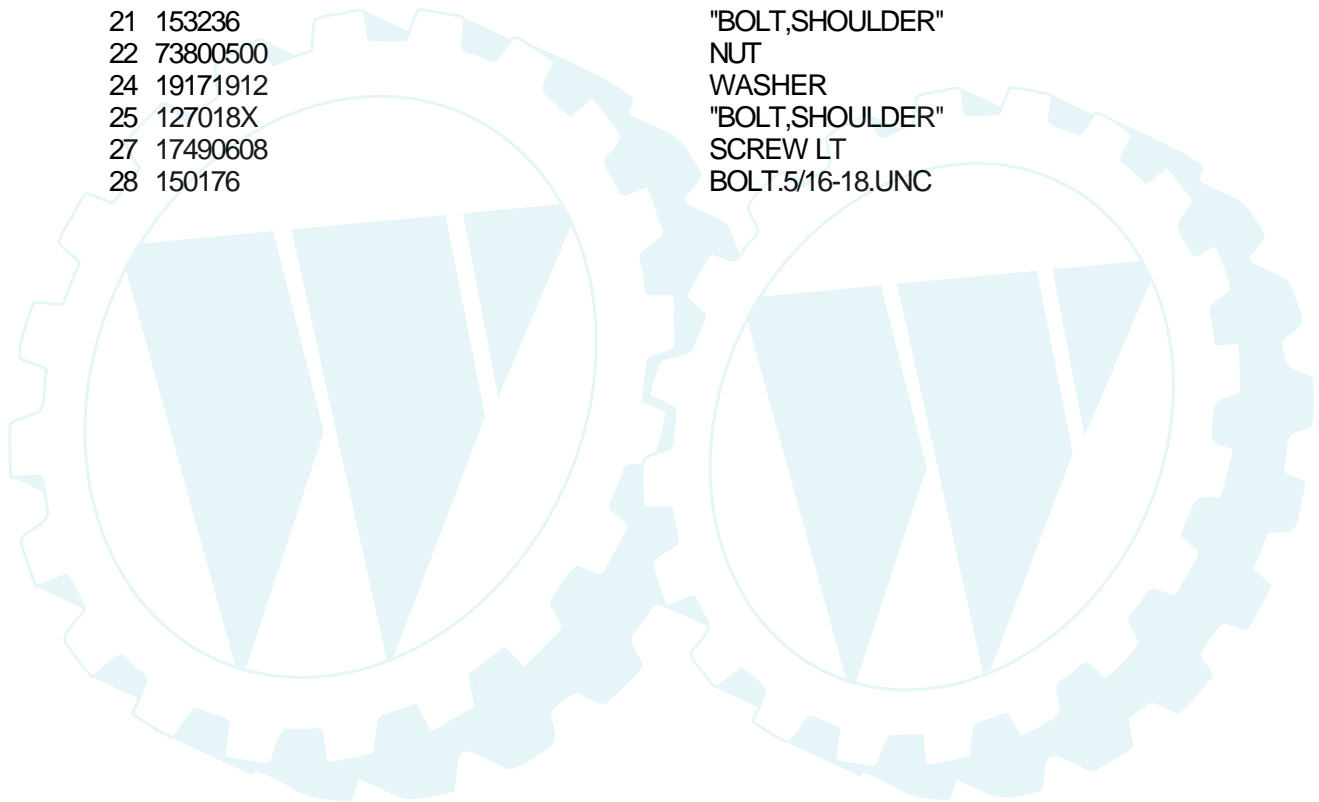
## TRACTOR - - MODEL NUMBER YPQ185H46A

### SEAT ASSEMBLY

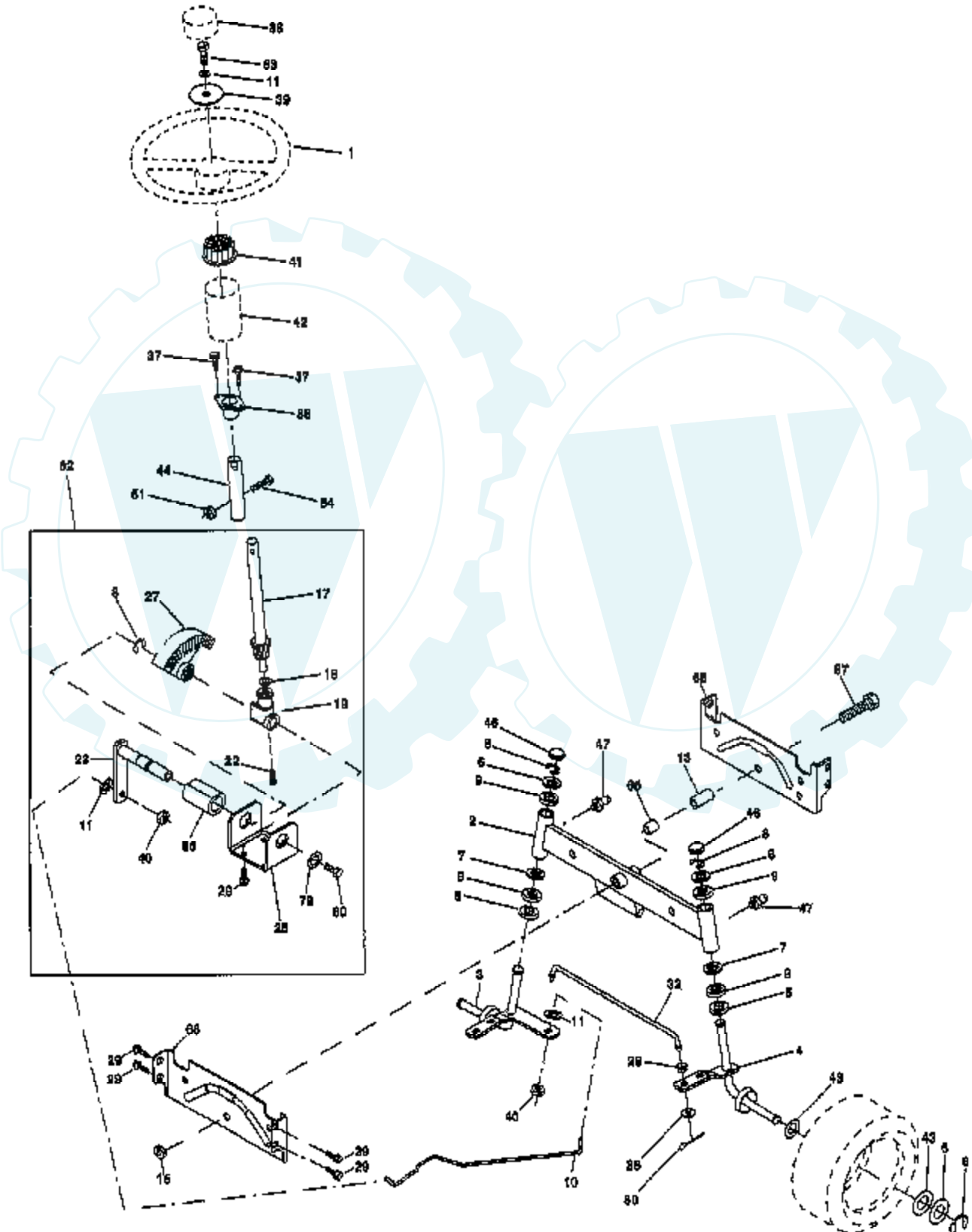


**NOTE:** All component dimensions given in U.S. inches  
1 inch = 25.4 mm.

| Ref # | Part Number | Qty | Description           |
|-------|-------------|-----|-----------------------|
| 1     | 140118      |     | SEAT.2500/1516.BK     |
| 2     | 140551      |     | BRACKET PVT SEAT      |
| 5     | 145006      |     | CLIP.PUSH-IN.HING     |
| 6     | 73800600    |     | NUT                   |
| 7     | 124181X     |     | SPRING COMPRESSIO     |
| 10    | 155925      |     | PAN-SEAT              |
| 11    | 166369      |     | KNOB.SEAT.ADJ.WINGNUT |
| 12    | 121246X     |     | BRKT SWITCH           |
| 13    | 121248X     |     | BUSHING               |
| 14    | 72050412    |     | BOLT-RD HD SQ NK      |
| 15    | 121249X     |     | SPACER SPLIT          |
| 16    | 123740X     |     | SPRING COMPRESSED     |
| 17    | 123976X     |     | SUB= 73900400         |
| 18    | 124238X     |     | CAP SPRING            |
| 21    | 153236      |     | "BOLT,SHOULDER"       |
| 22    | 73800500    |     | NUT                   |
| 24    | 19171912    |     | WASHER                |
| 25    | 127018X     |     | "BOLT,SHOULDER"       |
| 27    | 17490608    |     | SCREW LT              |
| 28    | 150176      |     | BOLT.5/16-18.UNC      |



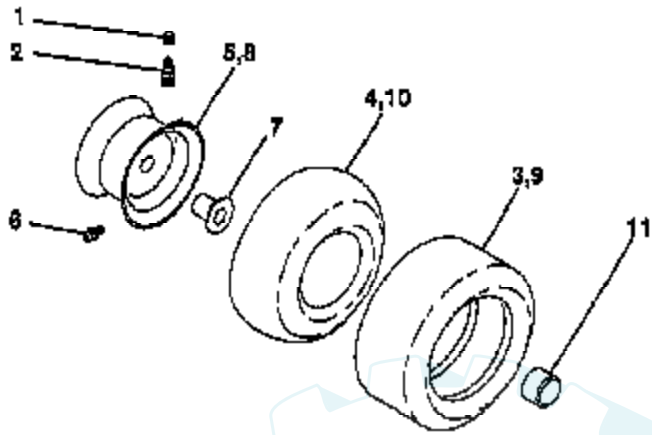
# TRACTOR - - MODEL NUMBER YPQ185H46A STEERING ASSEMBLY



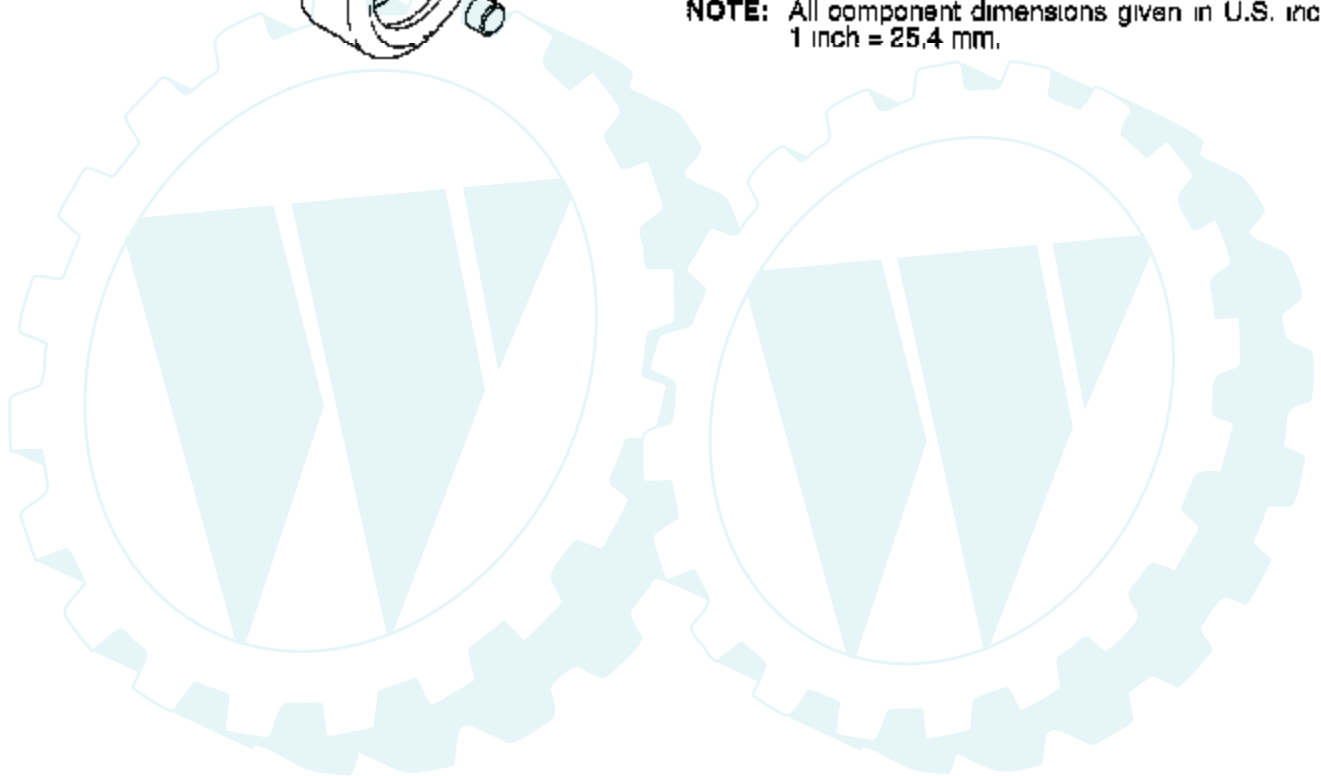
| Ref # | Part Number | Qty | Description            |
|-------|-------------|-----|------------------------|
| 1     | 121472X     |     | SUB= 150546            |
| 2     | 154427      |     | AXLE ASM               |
| 3     | 156483      |     | SPINDLE.ASM.LH         |
| 4     | 157473      |     | "SPINDLE ASM,RH"       |
| 5     | 6266H       |     | WASHER .T              |
| 6     | 121748X     |     | WASHER                 |
| 7     | 19272016    |     | WASHER                 |
| 8     | 12000029    |     | RING                   |
| 9     | 3366R       |     | COL. SRTG. BEAR.       |
| 10    | 156438      |     | DRAGLINK-STAMPED       |
| 11    | 10040600    |     | LOCKWASHER             |
| 13    | 154779      |     | BEARING AXLE           |
| 15    | 73901000    |     | "NUT-LOC,FLANGE LT"    |
| 17    | 156546      |     | SHAFT ASM STEERIN      |
| 18    | 57079       |     | THRUST WASHER          |
| 19    | 160395      |     | SUPPORT.SHAFT.STEER    |
| 22    | 165857      |     | SCREW.HX.WSH.HD        |
| 23    | 165851      |     | SHAFT.ASM.PITMAN       |
| 25    | 154406      |     | BRKT-STEERING          |
| 26    | 126847X     |     | BUSHING.DRAGLINK       |
| 27    | 136874      |     | GEAR SECTOR            |
| 28    | 19131416    |     | WASHER                 |
| 29    | 17060612    |     | SCREW                  |
| 30    | 76020412    |     | COTTER PIN             |
| 32    | 130465      |     | TIE ROD                |
| 36    | 155099      |     | BUSHING.STEERING       |
| 37    | 152927      |     | "SCREW-TT,10-32 FL"    |
| 38    | 126805X     |     | "INSERT,STR WHEEL"     |
| 39    | 19133812    |     | WASHER                 |
| 40    | 7810H       |     | GRIPCO NUT             |
| 41    | 100711L     |     | ADAPTER LT             |
| 42    | 145054X428  |     | BOOT.STEERING.DASH.P/L |
| 43    | 121749X     |     | WASHER                 |
| 44    | 153720      |     | EXT SHAFT STEERIN      |
| 46    | 121232X     |     | CAP                    |
| 47    | 6855M       |     | ZERK M                 |
| 51    | 73800500    |     | NUT                    |
| 54    | 74780520    |     | BOLT                   |
| 62    | 167902      |     | KIT.STEER.ASM          |
| 63    | 74780616    |     | BOLT                   |
| 65    | 154780      |     | SPACER AXLE            |
| 66    | 154404      |     | "BEARING-ARM,PITMA"    |
| 67    | 74781044    |     | BOLT                   |
| 68    | 154429      |     | BRACE AXLE             |
| 79    | 19132012    |     | WASHER                 |
| 80    | 74950612    |     | BOLT.HX.NYLON3/8-16X3/ |

## TRACTOR - - MODEL NUMBER YPQ185H46A

### WHEELS & TIRES



**NOTE:** All component dimensions given in U.S. inches  
1 inch = 25,4 mm.



| Ref # | Part Number | Qty | Description              |
|-------|-------------|-----|--------------------------|
| 1     | 59192       |     | VALVE CAP                |
| 2     | 65139       |     | VALVE STEM LT            |
| 3     | 106222X     |     | SUB= 122073X             |
| 4     | PARTSIMAGE  |     | REFER TO PARTS IMAGE     |
| 4     | 59904       |     | TUBE.5.3/4.5/6           |
| 5     | 106732X427  |     | "RIM ASM 6"" FRT"        |
| 6     | 278H        |     | FITTING LT               |
| 7     | 9040H       |     | "FLANGE, BEARING"        |
| 8     | 106108X427  |     | "RIM AS 8"" REAR"        |
| 9     | 122082X     |     | SUB= 918122082X          |
| 10    | PARTSIMAGE  |     | REFER TO PARTS IMAGE     |
| 10    | 7152J       |     | TUBE.18X9.5-8            |
| 11    | 104757X     |     | HUB CAP                  |
|       | 144334      |     | SEALANT.TIRE 10 OZ. TUBE |

