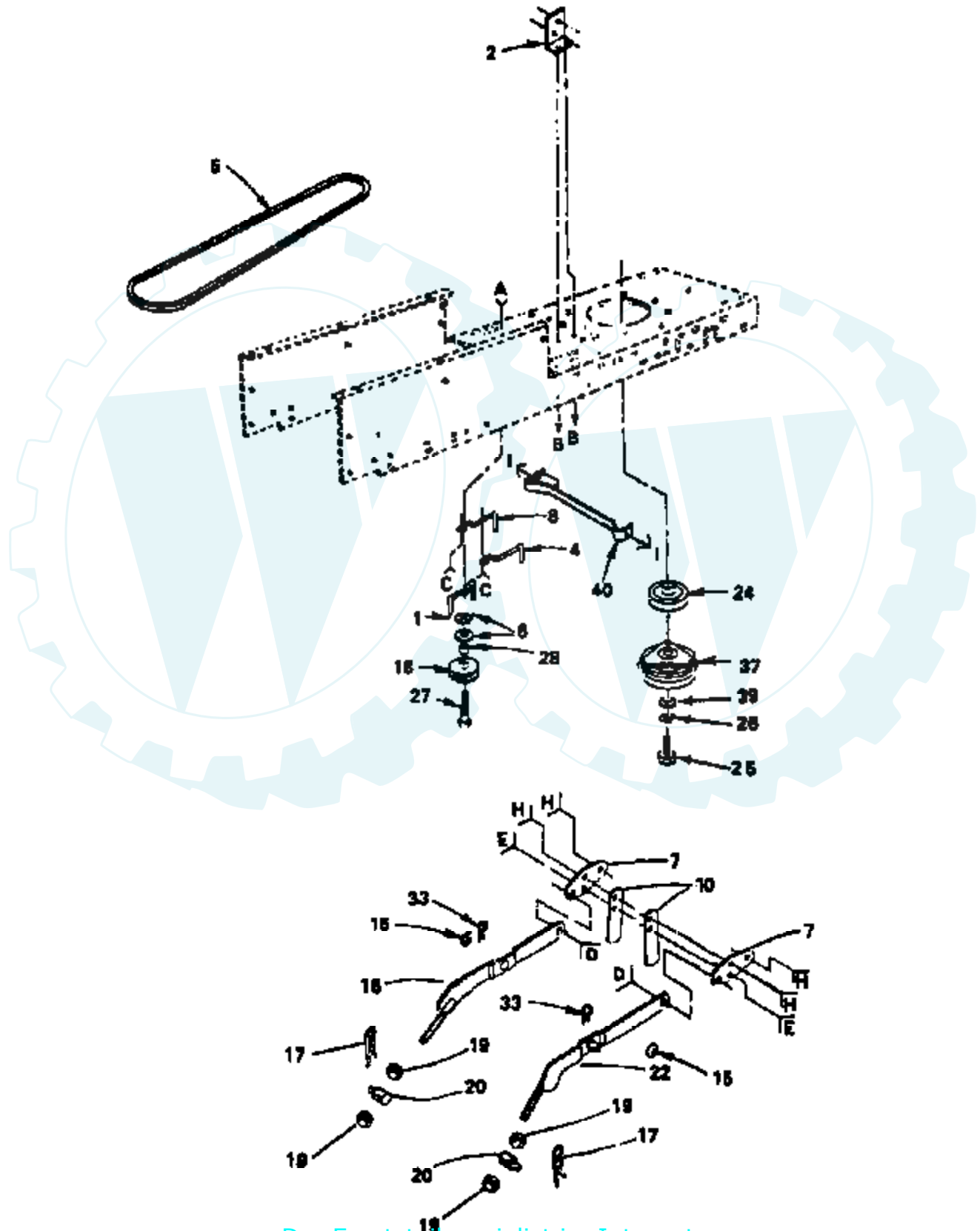
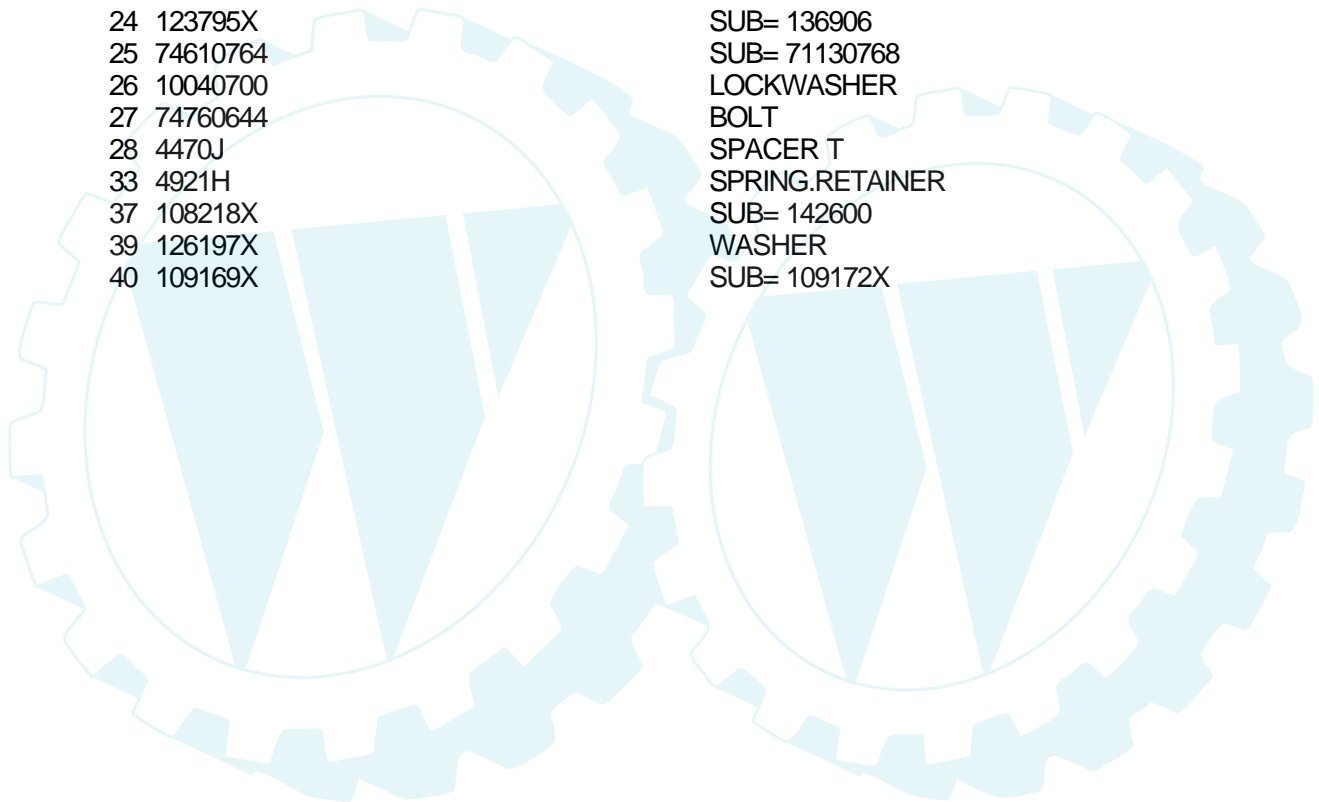


GARDEN TRACTOR

DRIVE GROUP

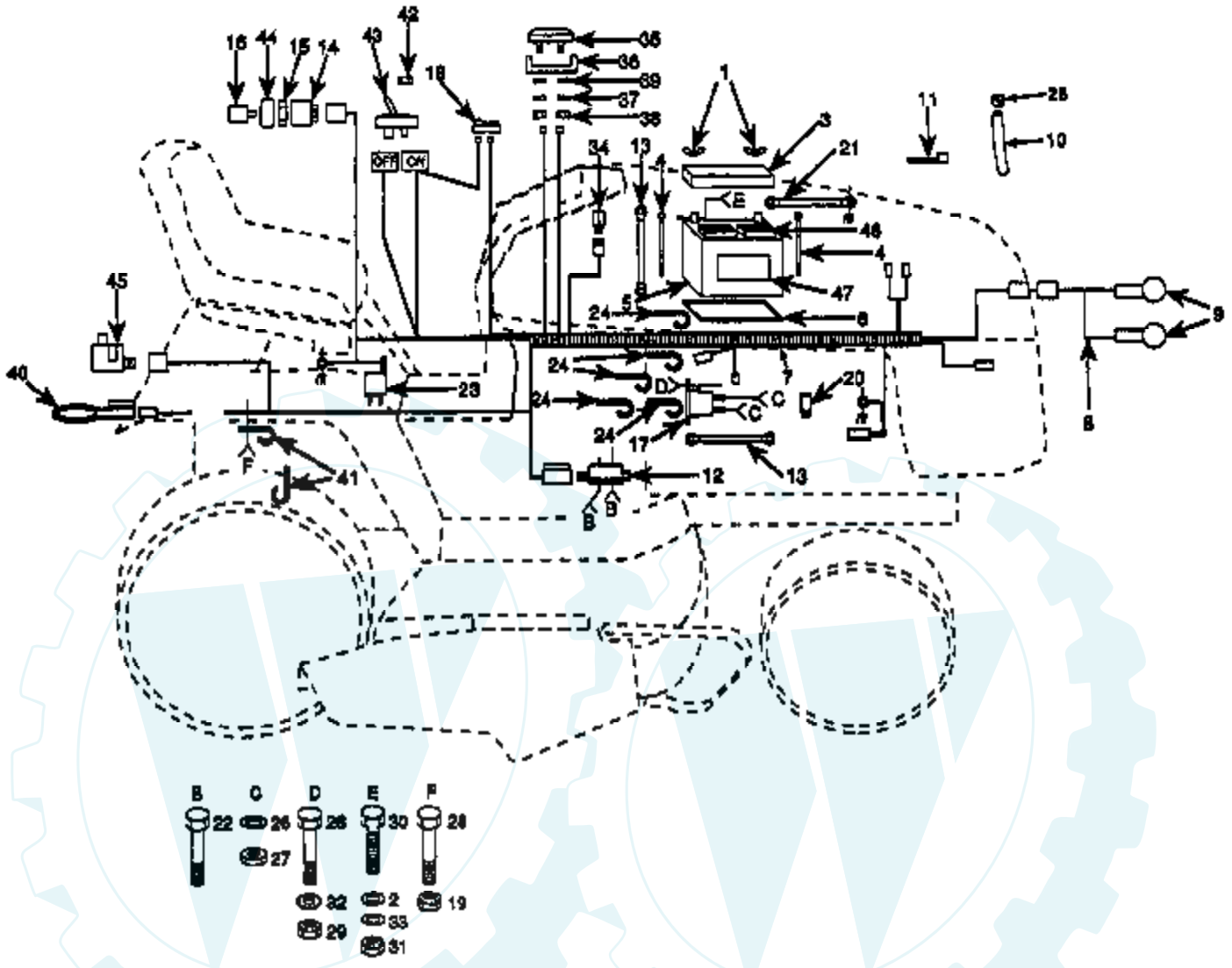


Ref #	Part Number	Qty	Description
2	108236X		BRACKET LT
4	105730X		"KEEPER,BLT ENG LT"
5	123796X		BELT.GRDRV.94.75
6	19131316		WASHER
7	105864X		"BRACKET, SUSPE T"
8	121218X		KEEPER BELT ENGLH
10	121252X		UPSTOP
15	19171516		WASHER T
16	121599X		LH SUSP ARM ASM
17	9135R		SPRING H
18	123674X		PULLEY.IDLER.FLAT
19	73220800		NUT
20	106308X		SUB= 130171
22	121598X		RH SUSP ARM ASM
24	123795X		SUB= 136906
25	74610764		SUB= 71130768
26	10040700		LOCKWASHER
27	74760644		BOLT
28	4470J		SPACER T
33	4921H		SPRING.RETAINER
37	108218X		SUB= 142600
39	126197X		WASHER
40	109169X		SUB= 109172X



GARDEN TRACTOR

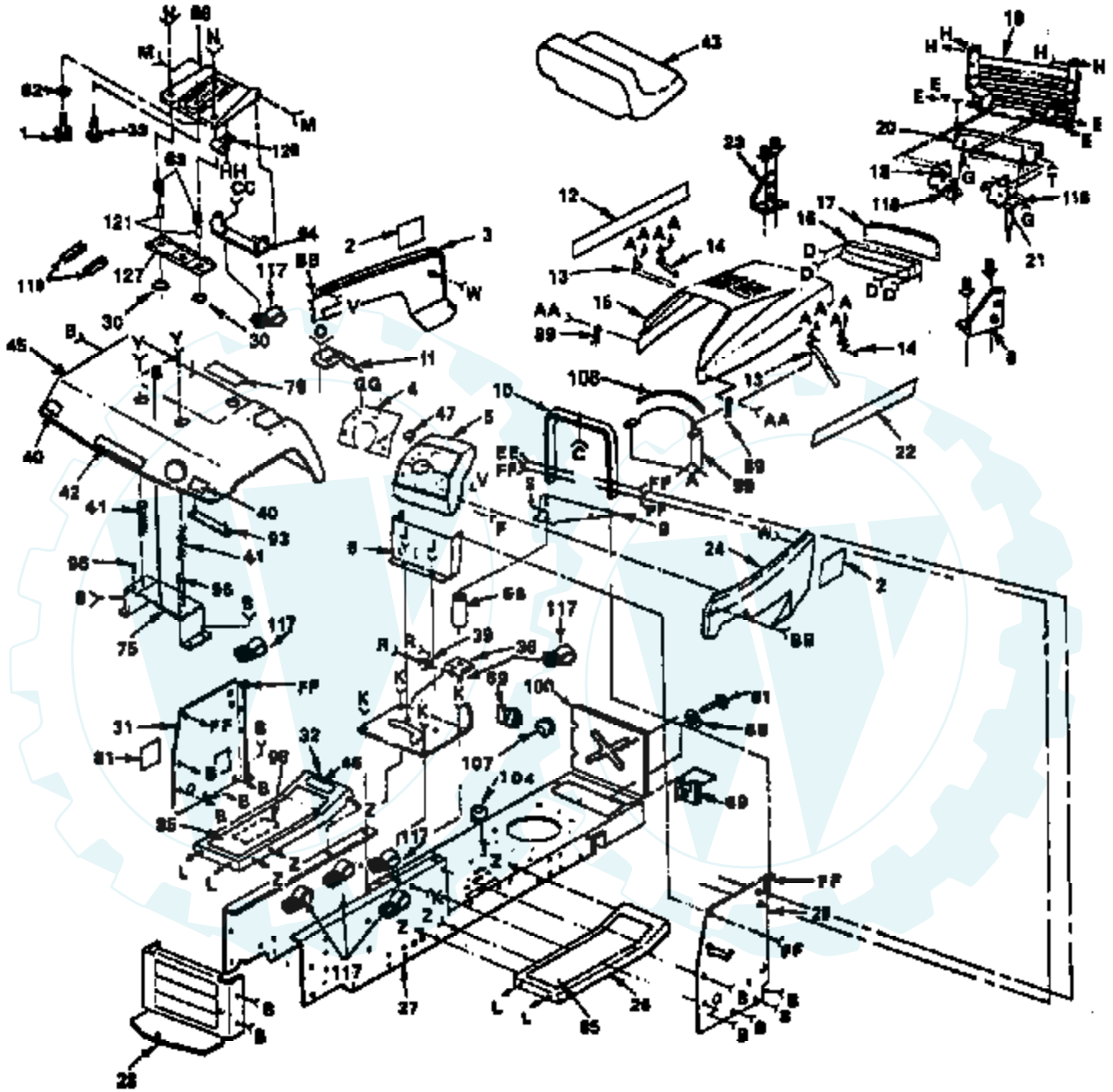
ELECTRICAL



Ref #	Part Number	Qty	Description
2	19091016		WASHER
3	102476X		SUB= 150109
4	72240460		BOLT
5	121537X		SUB= 123899X
6	7603J		"TRAY T, BATTERY"
7	122910X		HARNESS
8	124108X		SUB= 110859X
9	7662J		SUB= 4152J
10	100541K		SUB= 7697J
11	7192J		WIRE TIE
12	104445X		SWITCH-INTER. GT
13	4206J		CABLE-BATTERY T
14	102972X		SUB= 918102972X
15	109788X		SUB= 124211X
16	122147X		KEY
17	109081X		SUB= 146154
18	110712X		SWITCH LT
19	73680400		SUB= 73690400
20	719J		SUB= 154336
21	4207J		CABLE T
22	17021008		SCREW
23	109748X		RELAY ASSY T
24	2751R		CLIP T
25	109596X		HOSE CLAMP T
26	10090400		SUB= 10040400
27	73350400		NUT
28	74780408		BOLT
29	73510400		NUT
30	74760412		BOLT LT
31	73220400		SUB= 50675
32	11050400		LOCKWASHER
33	10040400		LOCKWASHER
34	108824X		FUSE HYT
35	9433R		AMMETER T
36	6009J		SUB= 532131708
37	10101000		SUB= 10071000
38	73911000		NUT
39	19070818		WASHER
40	102501X		SUB= 141940
41	235R		CLIPT
42	4022J		HEX NUT T
43	126016X		SUB= 4021J
44	109787X		SUB= 147626
45	121305X		SWITCH SEAT
46	121264X		"CAP,BATTERY "
47	121549X		DECAL
	124077X		NLA
	101539X		SHEET INSTR LT
	125998X		OWNER'S MANUAL (FRENCH)
	101572X		SHEET-INSTRUCTION (FRENCH)

GARDEN TRACTOR

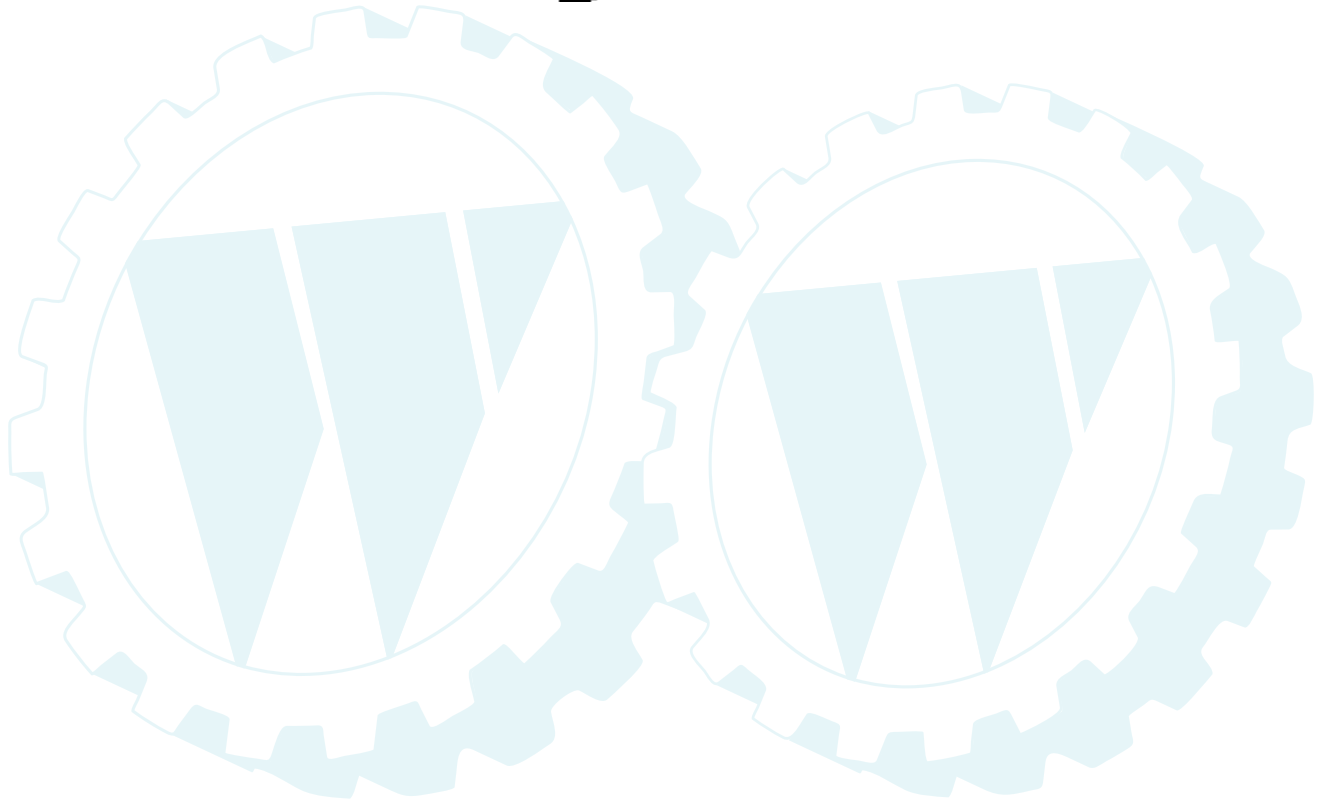
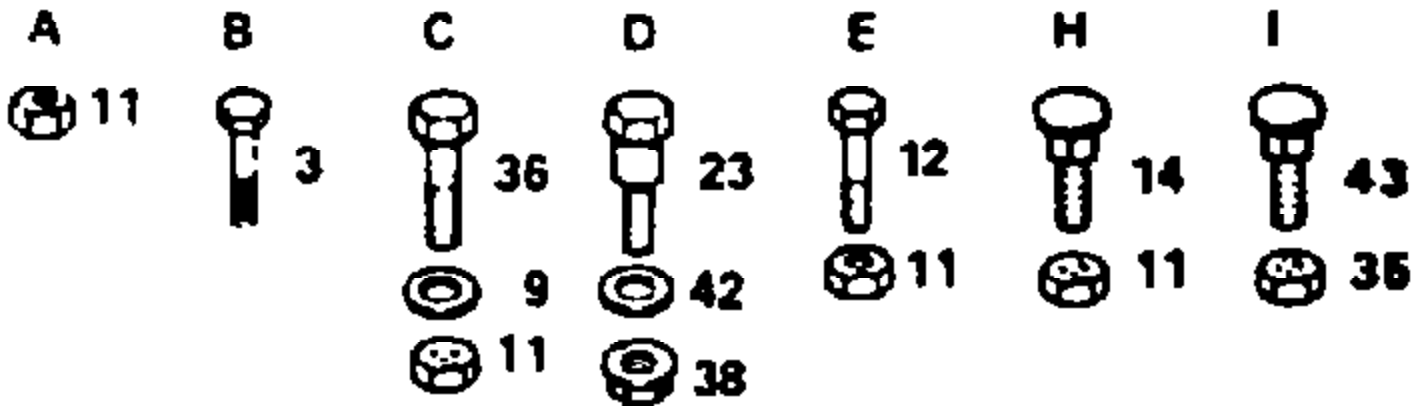
ENCLOSURES



- | | | | | | | | | | | | | | | | | | | | | | |
|----|----|-----|-----|----|----|----|----|----|----|----|----|-----|----|----|----|-----|-----|-----|-----|----|--|
| A | B | C | D | E | F | G | H | J | K | L | M | N | O | R | S | T | V | W | Y | Z | |
| 48 | 57 | 109 | 113 | 55 | 53 | 53 | 58 | 60 | 78 | 58 | 50 | 96 | 44 | 54 | 72 | 72 | 37 | 112 | 103 | 54 | |
| 52 | 78 | HH | 52 | 52 | 51 | 51 | 52 | 52 | 34 | 51 | 34 | 121 | 38 | 24 | 24 | 110 | 113 | 52 | 52 | | |
| 74 | | 124 | | 52 | 51 | 52 | | | | | | | | | | | | | | | |
| | | 125 | | | 52 | | | | | | | | | | | | | | | | |

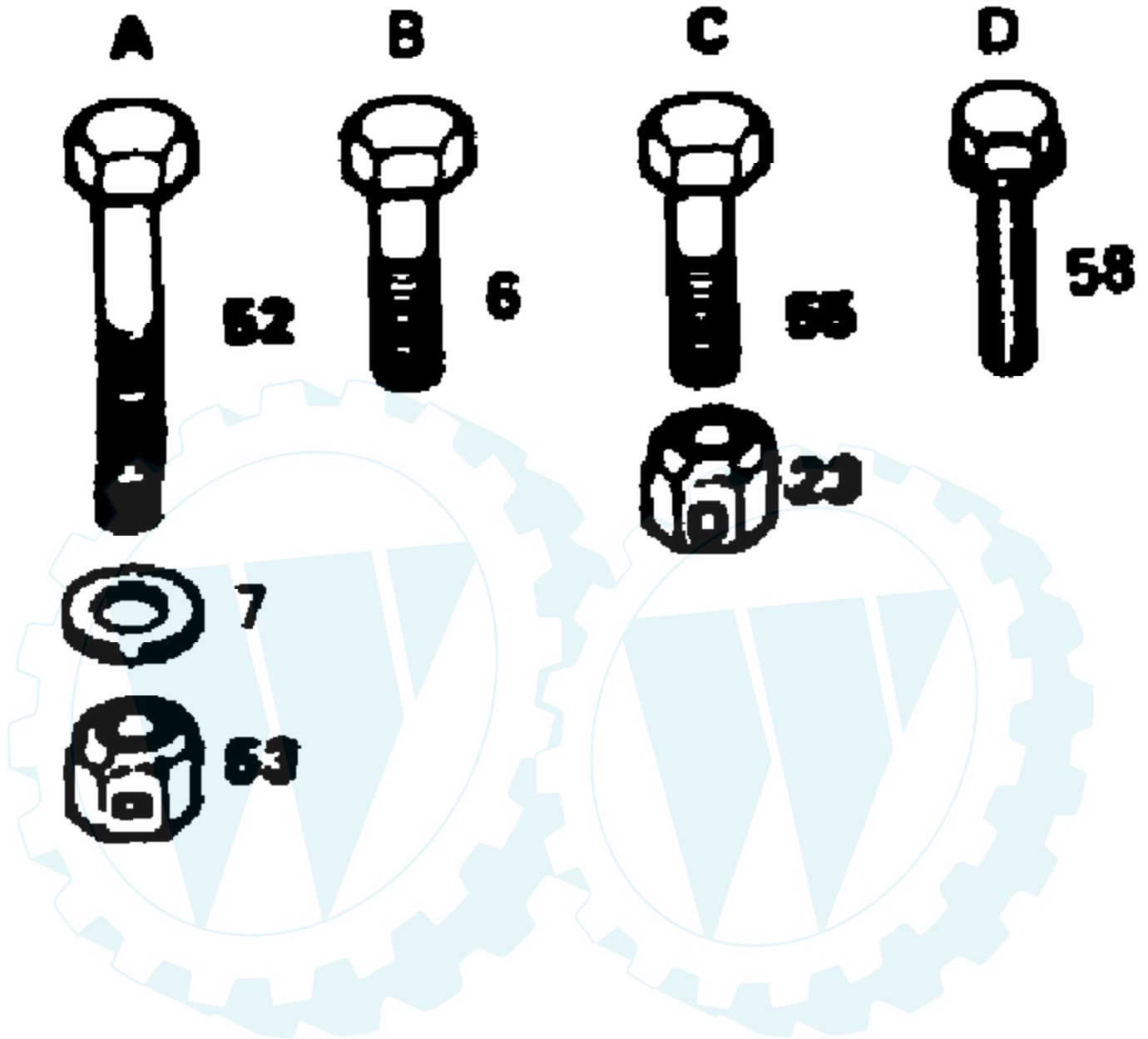
Ref #	Part Number	Qty	Description
2	124052X		NLA
3	121888X388		SUB= 150302X505
4	121444X011		DASHPLATE
5	124252X		SUB= 140398
6	104805X		LOWER DASH
8	110853X		SUPPORT RH YTH
9	106965X		SUB= 140181
10	110829X		SUB= 124130X
11	123825X		CONSOLE SHIFTER
12	123965X		DECAL HOOD LH
13	106784X		SUB= 155013
14	104618X		SUB= 155013
15	121886X388		SUB= 150301X505
16	124392X		SUB= 147717
17	106395X		LENS LT
18	110855X		SUPPORT LH YTH
19	122100X		GRILL ASSY
20	105419X388		NLA
21	110854X		SUPPORT RH YTH
22	123966X		NLA
23	110852X		SUPPORT LH YTH
24	121887X388		SUB= 140679X505
27	121277X		CHASSIS ASSY
28	123785X		DRAW BAR
29	19060718		WASHER
30	121248X		BUSHING
31	124118X		PANEL DASH LH
32	105465X388		FOOTREST LH YT
33	121144X		SUB= 127018X
34	73680500		SUB= 73690500
36	123783X013		SADDLE
37	11030400		LOCKWASHER GT
38	10100800		"WASHER,LOCK"
39	1554J		SUB= 155108
40	106202X		REFLECTOR-TAIL YT
41	124181X		SPRING COMPRESSIO
42	123964X		NLA
43	121442X		SUB= 140119
44	72170410		BOLT
45	123784X388		FENDER
46	101892X		DECAL T
47	5479J		PLUG BUTTON T
49	73510400		NUT
50	74760612		SUB= 74780612
51	19131312		WASHER
52	73680600		SUB= 73690600
53	74760616		BOLT
54	74640806		SCREW
55	17211010		SCREW LT
56	104755X		""J"" FASTENER LT"
57	17490612		SCREW
58	121236X		SPACER
59	17490512		SCREW
60	123481X		SUB= 7605J
61	123650X		STUD.1/4.TURN
62	73680400		SUB= 73690400
63	121250X		SPRING
65	17490608		SCREW LT

Ref #	Part Number	Qty	Description
66	124294X		SUB= 155925
68	105838X		RETAINER LT
69	105839X		RECEPTACLE LT
72	17431008		SUB= 98000165
73	74760532		BOLT
74	73510500		NUT
75	105509X		SUB= 137113
76	74180512		SCREW
78	17190412		SCREW
79	120822X		DECAL
81	121794X		COVER ACCESS
82	19171912		WASHER
84	72140606		BOLT
85	108256X		PAD FOOTREST T
88	2029J		WELDNUT
89	109808X		HOOD LATCH T
93	105511X		SUB= 140675
94	105513X		SUB= 140551
96	105531X		NUT-PUSH YT
98	109199X		SUB= 146046
99	123091X		VERTICAL BAFFLE
100	108105X		SUB= 133746
103	19131614		WASHER
104	9151R		SNAP BUSHING T
107	110436X		SUB= 9151R
108	109459X		STRIP - FOAM
109	11050400		LOCKWASHER
110	73490400		SUB= 146525
112	19091216		WASHER PM
113	73220400		SUB= 50675
115	19111116		WASHER
117	2751R		CLIP T
118	19111212		WASHER
119	121251X		STRIP FORM
121	121249X		SPACER SPLIT
123	123976X		SUB= 73900400
124	74641008		SUB= 71031008
126	4171R		CLIP T
127	121246X		BRKT SWITCH
128	125690X		DECAL



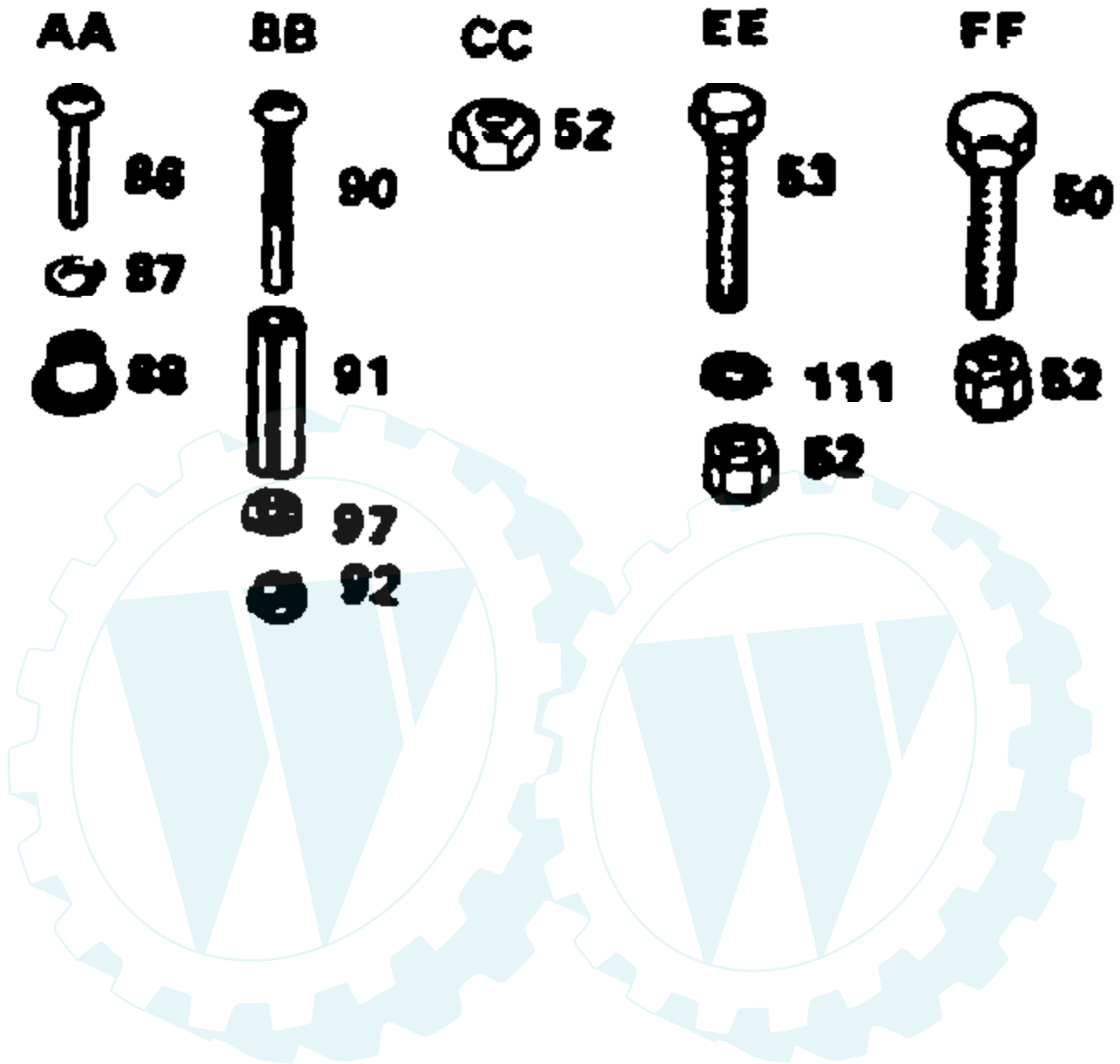
Ref #	Part Number	Qty	Description
3	17021008		SCREW
9	19131312		WASHER
11	73680600		SUB= 73690600
12	72140608		SUB= 72110608
14	72140606		BOLT
23	105848X		"BOLT, SHOULDER LT"
35	73680500		SUB= 73690500
36	74760616		BOLT
38	73980600		NUT SPECIAL T
42	110739X		WASHER T
43	72140506		BOLT





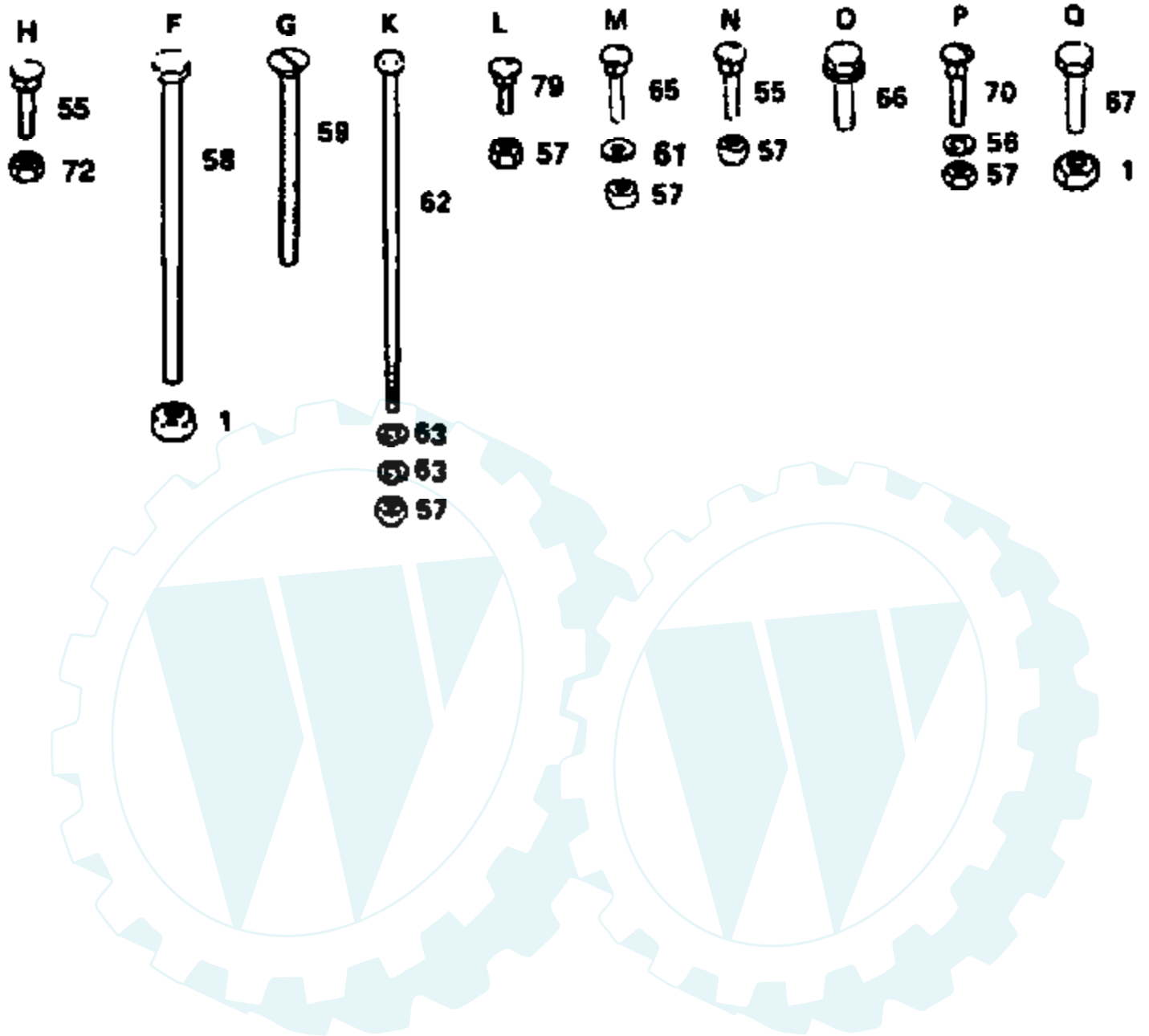
Ref #	Part Number	Qty	Description
6	17490612		SCREW
7	19111214		WASHER
23	73680600		SUB= 73690600
52	74780544		BOLT HEX
53	73680500		SUB= 73690500
55	74760612		SUB= 74780612
58	17490512		SCREW





Ref #	Part Number	Qty	Description
50	74760612		SUB= 74780612
52	73680600		SUB= 73690600
53	74760616		BOLT
86	74191008		SCREW
87	10071000		LOCKWASHER
88	2029J		WELDNUT
90	74981020		SCREW
91	7206J		SPACER LT
92	73731000		NUT
97	19070818		WASHER
111	11050600		LOCKWASHER



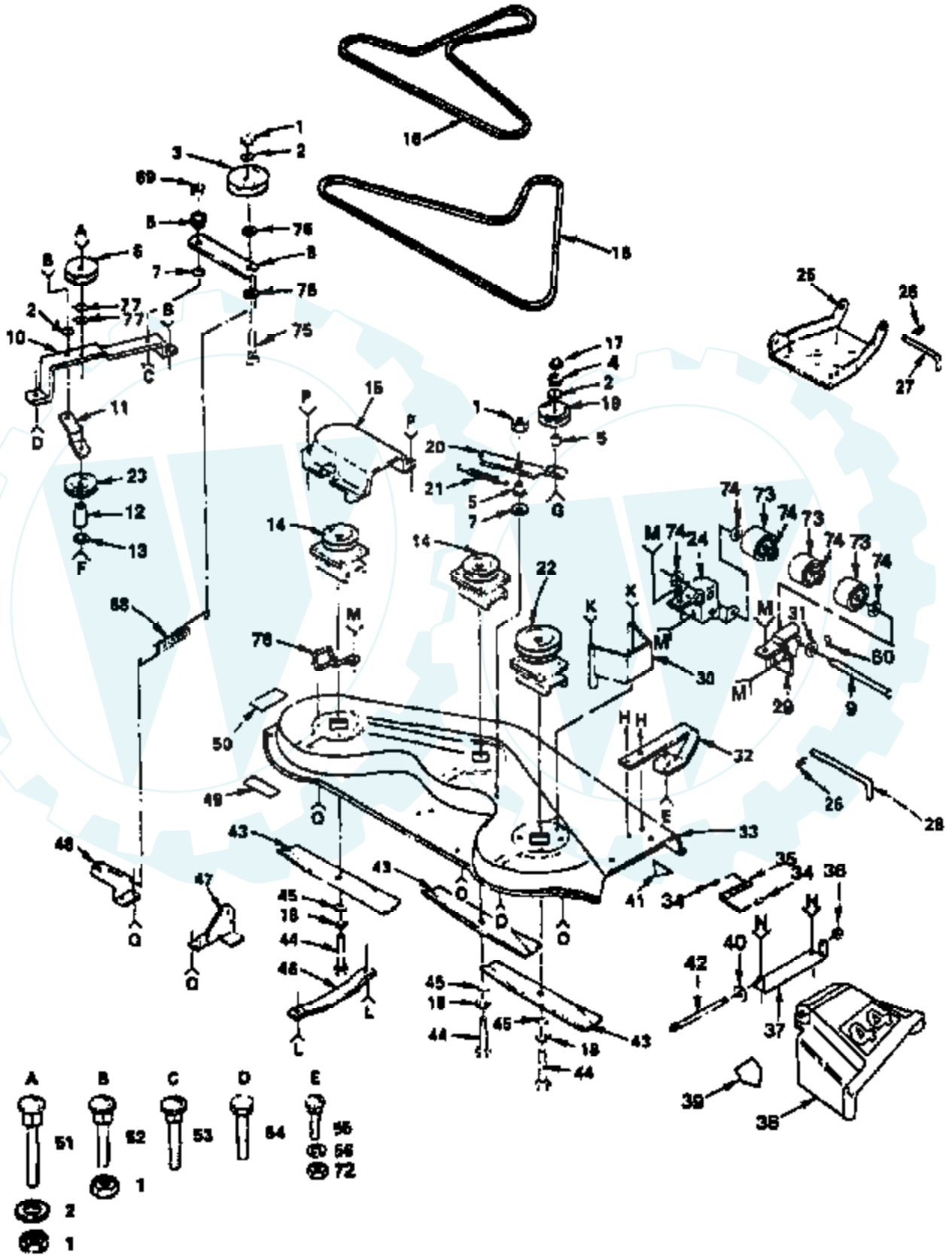


Ref #	Part Number	Qty	Description
55	72140506		BOLT
56	19111116		WASHER
57	73680500		SUB= 73690500
58	74760648		BOLT - HEX 3/8 - 16 X 3
59	74110632		SCREW YT
61	19111216		WASHER M
65	72140506		BOLT
66	17490612		SCREW
67	72140606		BOLT
70	72110506		SUB= 72270506
72	1685H		SUB= 68478
79	72110505		BOLT
	121826X		SUB= 532131508



GARDEN TRACTOR

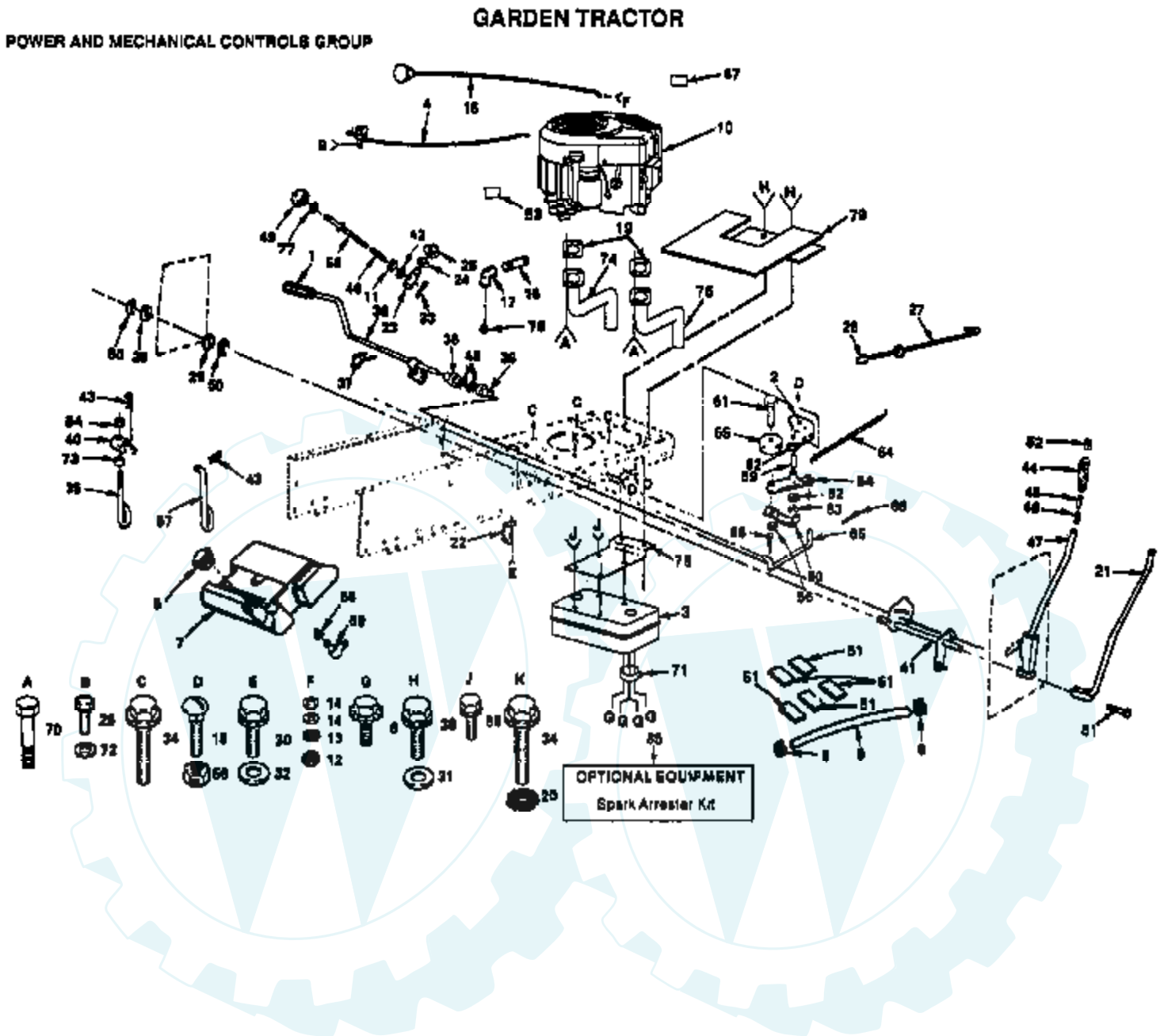
MOWER



Ref #	Part Number	Qty	Description
2	19131614		WASHER
3	121316X		PULLEY IDLER
4	10040600		LOCKWASHER
5	106902X		SPACER RETAINER
6	677A451		IDLER-INSIDE T
7	106513X		"WASHER, WEAR LT"
8	121425X		ARM IDLER
9	109776X		PIVOT PIN T
10	106523X		"SUPPORT YT, BAR"
11	106522X		BRACE-IDLER YT
12	121236X		SPACER
13	19131316		WASHER
14	121658X		SUB= 136819
15	106214X		GUARD YT
16	106085X		BELT-V.79.1.MWR
17	73220600		NUT.HEX.3/8-16UNC
18	10030600		SUB= 10040600
19	102932X		IDLER.FLAT.GTV
20	106526X		ARM-IDLER YT
21	7644J		SPRING T
22	121705X		JACKSHAFT
23	102403X		IDLER-FLAT T
24	109599X		BRACKET LH YTH
25	105662X		LINK.PARALLEL
26	4921H		SPRING.RETAINER
27	105744X		"ROD, FRT. PARAL T"
28	109835X		HINGE PIN T
29	109600X		BRACKET RH YTH
30	108119X		GUARD BELT HYT
31	19151616		SUB= 19171616
32	8418J		SUB= 136321
33	121423X		SUB= 144729
34	105304X		CAP-SLEEVE LT
35	106734X		SUB= 123713X
36	110452X		NUT PUSH M
37	109743X		SUB= 137607
38	109785X		DEFLECTOR SHIELD
39	121349X		DECAL WARNING
40	19111016		WASHER
41			REFER TO IMAGE
42	106735X		ROD-HINGE T
43	106635X		SUB= 25034
43	122265X		SUB= 25034
44	74610624		BOLT.3/8-24X1-1/2
45	19132012		WASHER
47	109278X		SUB= 123807X
48	108359X		SUB= 123808X
49	108592X		DECAL HYT
50	105185X		DECAL-INST YT
51	72140614		BOLT
52	72140608		SUB= 72110608
53	72140612		BOLT
54	74760620		SUB= 74780620
55	72140506		BOLT
56	19111116		WASHER
60	76020412		COTTER PIN
68	102727X		"SPRING EXT 8.5""
69	73930600		LOCKNUT

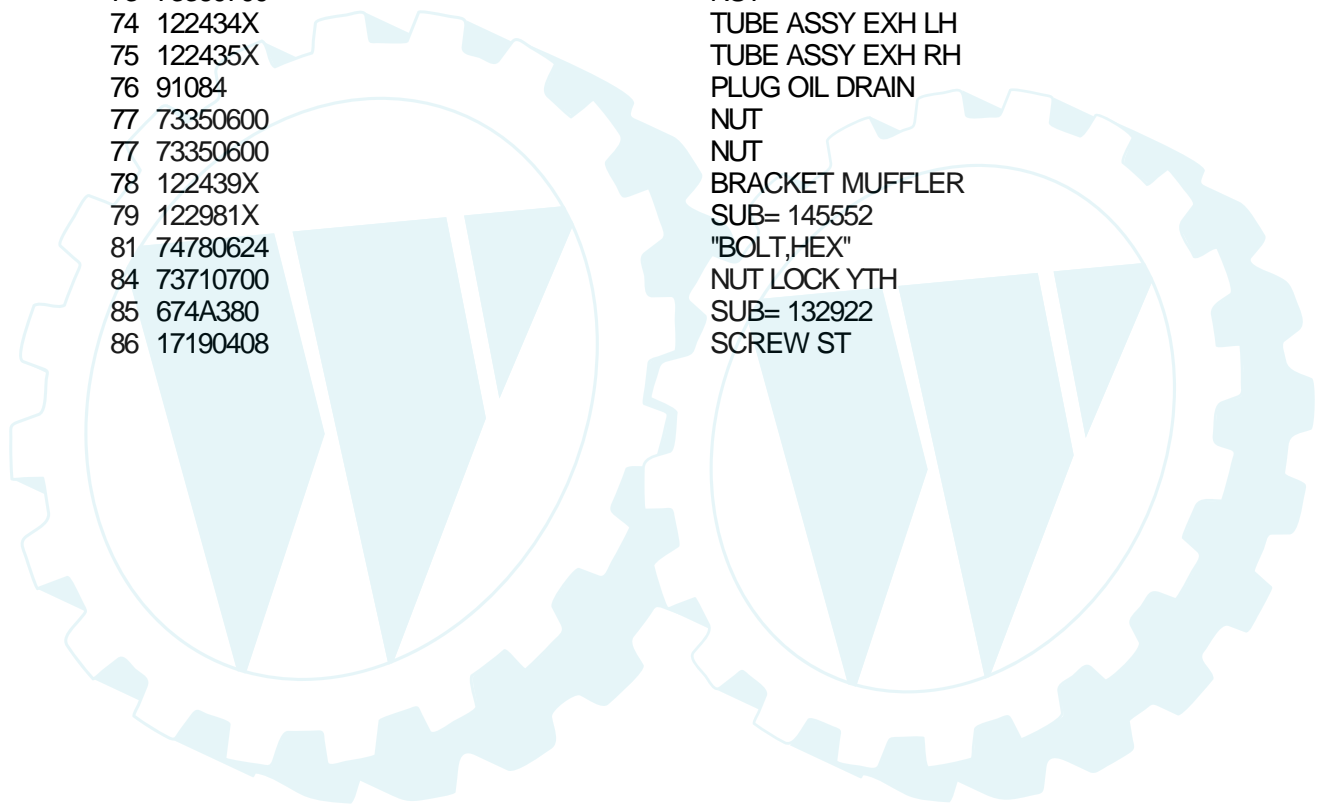
Ref #	Part Number	Qty	Description
72	1685H		SUB= 68478
73	109729X		ROLLER T
74	19151610		WASHER T
75	72140620		BOLT
76	19131210		WASHER
77	19131410		WASHER
78	121352X		BELT RETIANER
	121826X		SUB= 532131508





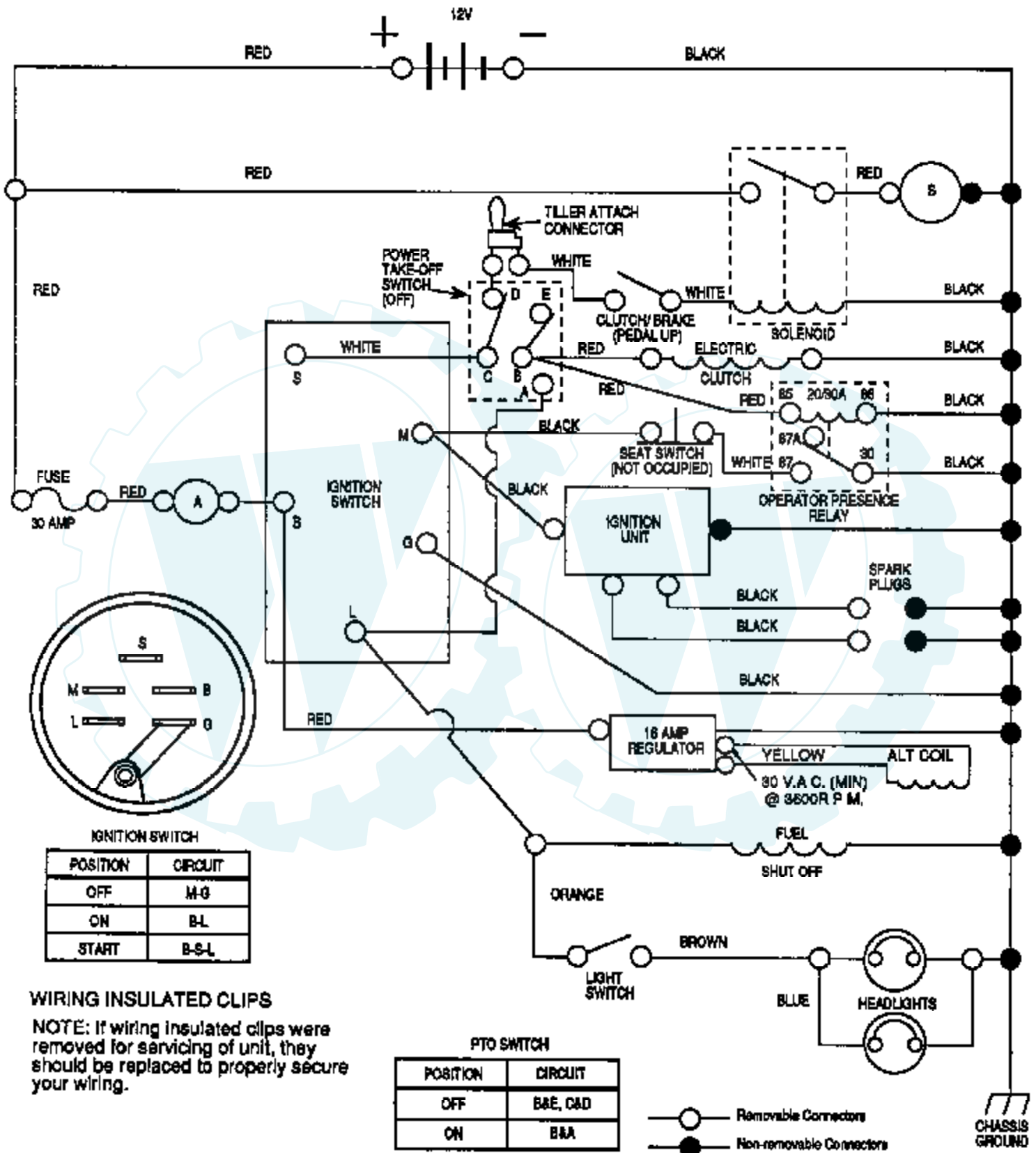
Ref #	Part Number	Qty	Description
2	123102X		BRKT ASM
3	122440X		SUB= 149723
4	122927X		SUB= 532132748
5	123549X		SUB= 158990
6	17450808		SCREW LT
7	106020X		SUB= 151346
8	123487X		HOSE CLAMP
9	8542R		FUEL LINE T
10	122436X		PIPE, EXHAUST
11	19131016		WASHER
12	73610600		SUB= 7810H
13	11050600		LOCKWASHER
14	19131316		WASHER
15	122926X		SUB= 132781
16	13280336		PIPE NIPPLE LT
17	13200300		ELBOW
18	72140606		BOLT
19			REFER TO IMAGE
20	11050600		LOCKWASHER
21	121006X		LEVER ROD LT
22	123788X		RETAINER BELT
23	110810X		TRUNION LT
24	19151216		WASHER
25	12000037		KLIP RING
26	17080408		SCREW
27	125637X		ROD BRAKE PARK
28	71673		PLUNGER CAP T
29	19292016		WASHER
30	17490612		SCREW
31	19131614		WASHER
32	19131316		WASHER
33	76020308		SUB= 3145
34	17490624		SCREW LT
35	110448X		PIVOT PIN T
36	122424X		SUB= 149001
37	1572H		SUB= 2882J
38	120183X		NYLON BEARING
39	17490512		SCREW
40	110447X		SUB= 132793
41	121000X		SHAFT LIFT LT
42	110807X		NUT T
43	4939M		SUB= 85902
44	109413X		GRIP
45	122364X		SUB= 125925X
46	2876H		SPRING T
47	121002X		SUB= 123096X
48	19211616		WASHER LT
49	121891X		HDLE ADJ LIFT
50	12000022		E-RING
51	6431J		PAD-SPACER T
52	124526X		SUB= 125925X
53	125971X		DECAL, MAINTENANCE
54	123789X		ARM IDLER
55	123766X		SUB= 139245
56	73680600		SUB= 73690600
57	110029X		LIFT LINK LT
58	110729X		ROD LIFT LT
59	105706X		"LY, BEARING"

Ref #	Part Number	Qty	Description
60	123205X		RETAIN BELT
61	74760624		SUB= 74930624
62	110812X		WASHER LT
63	12000039		KLIP RING
64	105709X		"SPRING, RETURN LT"
65	105710X		"LINK, CLUTCH T"
66	76020412		COTTER PIN
67	123161X		DECAL, ENGINE INSTRUCTION
68	3645J		BUSHING OUTLET T
69	8710J		FUEL TANK STEM GT
70			REFER TO IMAGE
71	101326L		DEFLECTOR.222573
72	110457X		SUB= 19091016
73	73360700		NUT
74	122434X		TUBE ASSY EXH LH
75	122435X		TUBE ASSY EXH RH
76	91084		PLUG OIL DRAIN
77	73350600		NUT
77	73350600		NUT
78	122439X		BRACKET MUFFLER
79	122981X		SUB= 145552
81	74780624		"BOLT,HEX"
84	73710700		NUT LOCK YTH
85	674A380		SUB= 132922
86	17190408		SCREW ST



GARDEN TRACTOR

SCHEMATIC



WIRING INSULATED CLIPS

NOTE: If wiring insulated clips were removed for servicing of unit, they should be replaced to properly secure your wiring.

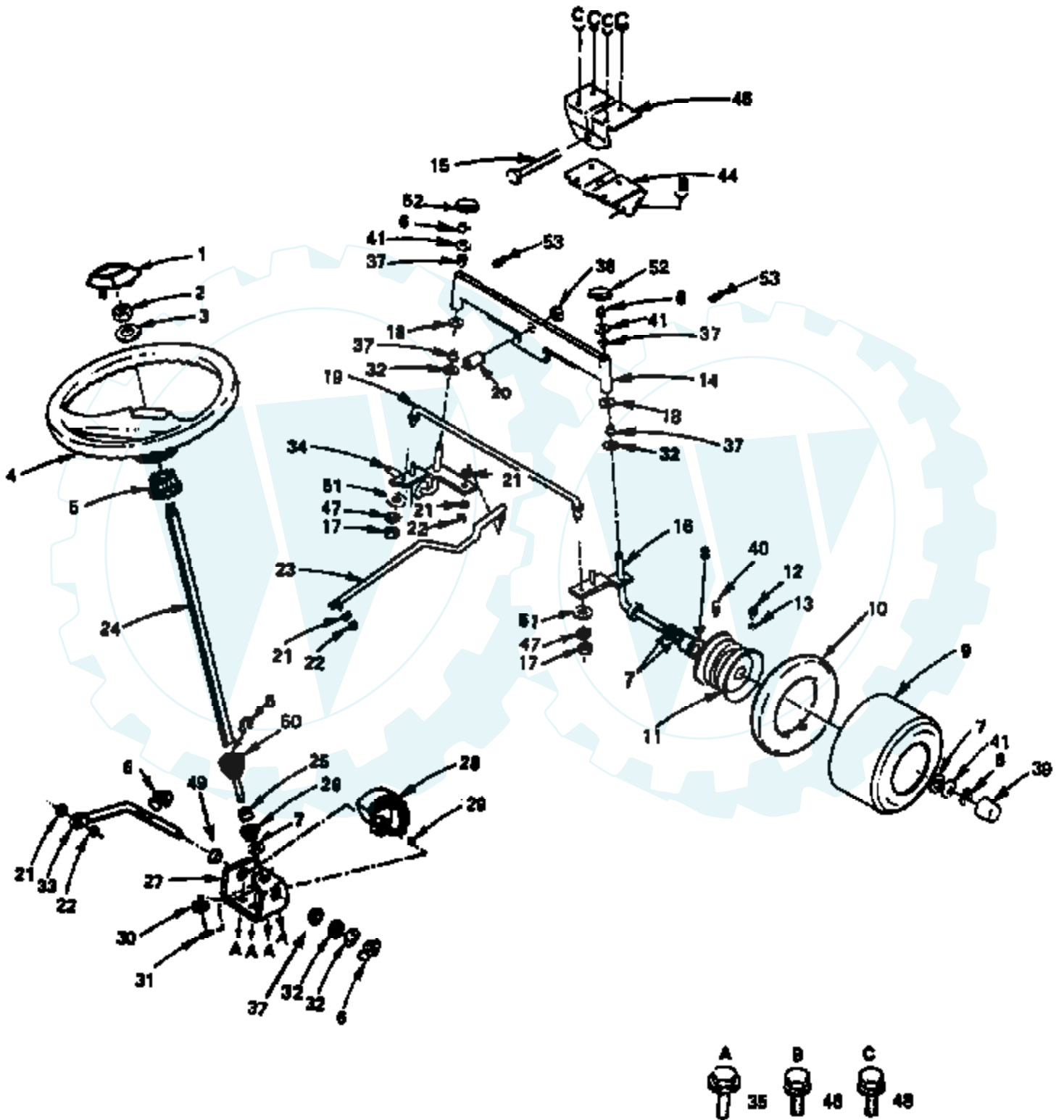
NOTE: YOUR TRACTOR IS EQUIPPED WITH A SPECIAL ALTERNATOR SYSTEM. THE LIGHTS ARE NOT CONNECTED TO THE BATTERY, BUT HAVE THEIR OWN ELECTRICAL SOURCE. BECAUSE OF THIS, THE BRIGHTNESS OF THE LIGHTS WILL CHANGE WITH THE ENGINE SPEED. AT IDLE SPEED THE LIGHTS WILL DIM. AS THE ENGINE IS SPEEDED UP, THE LIGHTS WILL BECOME THEIR BRIGHTEST.

Ref #	Part Number	Qty	Description
2	124052X		NLA
3	121888X388		SUB= 150302X505
4	121444X011		DASHPLATE
5	124252X		SUB= 140398
6	104805X		LOWER DASH
8	110853X		SUPPORT RH YTH
9	106965X		SUB= 140181
10	110829X		SUB= 124130X
11	123825X		CONSOLE SHIFTER
12	123965X		DECAL HOOD LH
13	106784X		SUB= 155013
14	104618X		SUB= 155013
15	121886X388		SUB= 150301X505
16	124392X		SUB= 147717
17	106395X		LENS LT
18	110855X		SUPPORT LH YTH
19	122100X		GRILL ASSY
20	105419X388		NLA
21	110854X		SUPPORT RH YTH
22	123966X		NLA
23	110852X		SUPPORT LH YTH
24	121887X388		SUB= 140679X505
27	121277X		CHASSIS ASSY
28	123785X		DRAW BAR
29	19060718		WASHER
30	121248X		BUSHING
31	124118X		PANEL DASH LH
32	105465X388		FOOTREST LH YT
33	121144X		SUB= 127018X
34	73680500		SUB= 73690500
36	123783X013		SADDLE
37	11030400		LOCKWASHER GT
38	10100800		"WASHER,LOCK"
39	1554J		SUB= 155108
40	106202X		REFLECTOR-TAIL YT
41	124181X		SPRING COMPRESSIO
42	123964X		NLA
43	121442X		SUB= 140119
44	72170410		BOLT
45	123784X388		FENDER
46	101892X		DECAL T
47	5479J		PLUG BUTTON T
49	73510400		NUT
50	74760612		SUB= 74780612
51	19131312		WASHER
52	73680600		SUB= 73690600
53	74760616		BOLT
54	74640806		SCREW
55	17211010		SCREW LT
56	104755X		""J"" FASTENER LT"
57	17490612		SCREW
58	121236X		SPACER
59	17490512		SCREW
60	123481X		SUB= 7605J
61	123650X		STUD.1/4.TURN
62	73680400		SUB= 73690400
63	121250X		SPRING
65	17490608		SCREW LT

Ref #	Part Number	Qty	Description
66	124294X		SUB= 155925
68	105838X		RETAINER LT
69	105839X		RECEPTACLE LT
72	17431008		SUB= 98000165
73	74760532		BOLT
74	73510500		NUT
75	105509X		SUB= 137113
76	74180512		SCREW
78	17190412		SCREW
79	120822X		DECAL
81	121794X		COVER ACCESS
82	19171912		WASHER
84	72140606		BOLT
85	108256X		PAD FOOTREST T
86	74191008		SCREW
87	10071000		LOCKWASHER
88	2029J		WELDNUT
89	109808X		HOOD LATCH T
90	74981020		SCREW
91	7206J		SPACER LT
92	73731000		NUT
93	105511X		SUB= 140675
94	105513X		SUB= 140551
95	105529X		SUB= 139888
96	105531X		NUT-PUSH YT
97	19070818		WASHER
98	109199X		SUB= 146046
99	123091X		VERTICAL BAFFLE
100	108105X		SUB= 133746
103	19131614		WASHER
104	9151R		SNAP BUSHING T
107	110436X		SUB= 9151R
108	109459X		STRIP - FOAM
109	11050400		LOCKWASHER
110	73490400		SUB= 146525
111	11050600		LOCKWASHER
112	19091216		WASHER PM
113	73220400		SUB= 50675
115	19111116		WASHER
117	2751R		CLIP T
118	19111212		WASHER
119	121251X		STRIP FORM
121	121249X		SPACER SPLIT
123	123976X		SUB= 73900400
127	74641008		SUB= 71031008
125	73951000		"NUT,KEPS"
126	4171R		CLIP T
127	121246X		BRKT SWITCH
128	125690X		DECAL

GARDEN TRACTOR

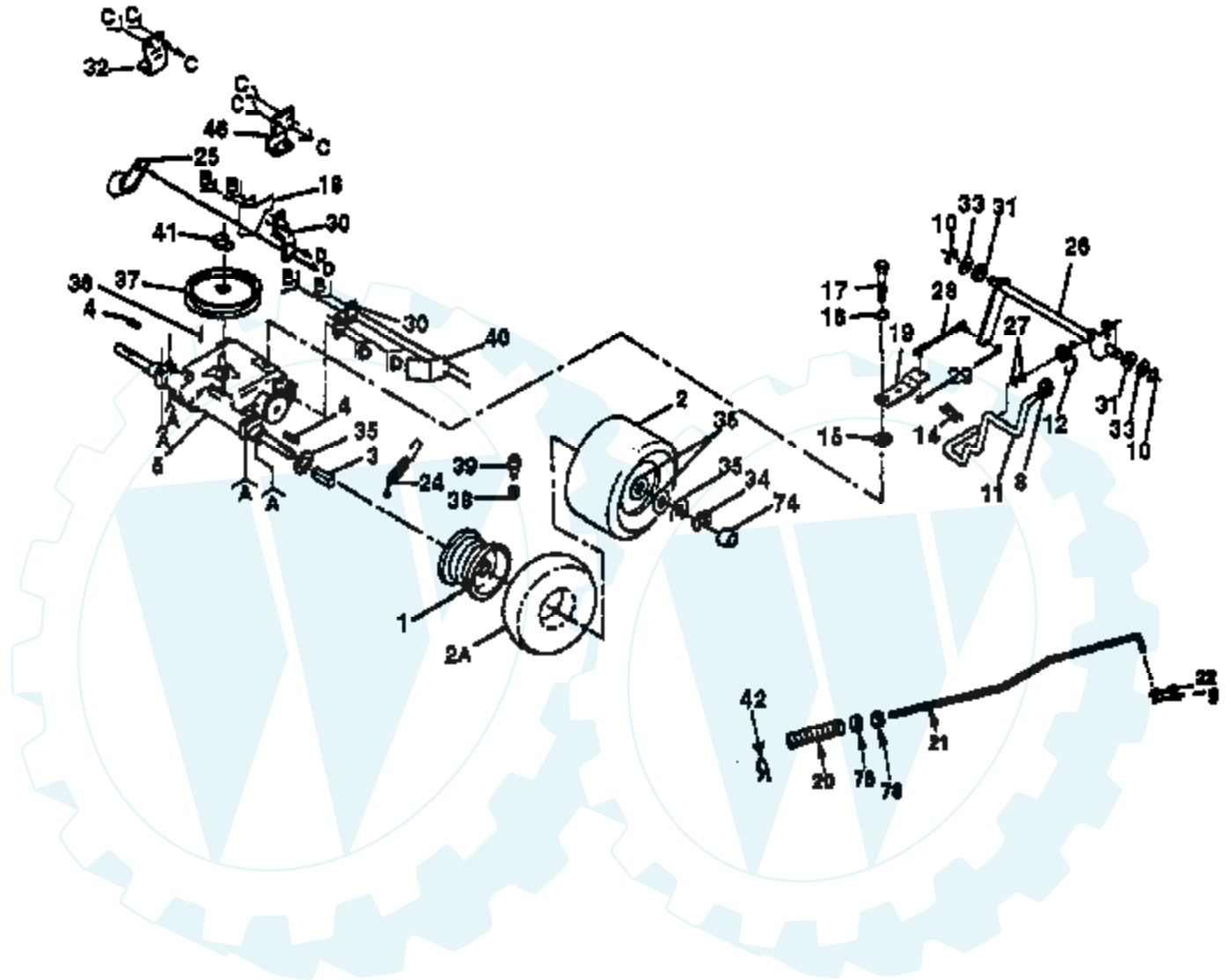
STEERING, FRONT AXLE AND WHEELS



Ref #	Part Number	Qty	Description
2	73940800		SUB= 73360800
3	100712K		WASHER
4	121472X		SUB= 150546
5	100711L		ADAPTER LT
6	12000029		RING
7	121749X		WASHER
8	9040H		"FLANGE, BEARING"
9	106222X		SUB= 122073X
10	59904		TUBE.5.3/4.5/6
11	106732X		SUB= 106732X417
12	65139		VALVE STEM LT
13	59192		VALVE CAP
14	108075X		FRONT AXLE
15	74761060		BOLT LT
16	105654X		SUB= 130524
17	73810500		NUT.LOCK.5/16-24
18	19272016		WASHER
19	121334X		ROD TIE
20	110438X		BEARING
21	10040600		LOCKWASHER
22	73610600		SUB= 7810H
23	105727X		LINK-DRAG LT
24	109557X		STEERING SHAFT T
25	74580		SHAFT SPACER LT
26	71208		BUSHING
27	109432X		SUB= 110150X
28	108684X		GEAR.SECTOR.HYT
29	106126X		KEY-WOODRUFF LT
30	101930X		WASHER YTV
31	2882J		DRIVE PIN
32	6266H		WASHER .T
33	108683X		ROD STEERING T
34	105656X		SPINDLE-LH LT
35	17490612		SCREW
36	73901000		"NUT-LOC,FLANGE LT"
37	3366R		COL. SRTG. BEAR.
39	104757X		HUB CAP
40	278H		FITTING LT
41	121748X		WASHER
44	105664X		SUPPORT.SADDLE.FT
45	105663X		SUPPORT-SADDL T
46	17490508		SCREW LT
47	10040500		LOCKWASHER
48	122819X		SCREW SPECIAL
49	109816X		NYLINER T
50	108685X		GEAR PINION T
51	19111216		WASHER M
52	121232X		CAP
53	6855M		ZERK M

GARDEN TRACTOR

TRANSAXLE AND REAR WHEEL



Ref #	Part Number	Qty	Description
2	124106X		SUB= 138756
2A	7154J		TUBE.23X8/10-12
3	108097X		SPACER HYT
4	9396E		SQ KEY STD
8	106933X		KNOB T (1/2-HOLE)
9	76020412		COTTER PIN
10	12000008		KLIP RING
11	123781X		SUB= 141002
12	123782X		"SPRING,TORSION"
14	76020416		PIN COTTER 1/8
15	105701X		WASH-SHFT PLT LT
16	19091216		WASHER PM
17	71040412		SUB= 74550412
18	123791X		KEEPER BELT LH
19	123794X		"ARM,SHIFT"
20	126909X		"SPRING,ROD BRAKE"
21	123786X		ROD BRAKE
22	19131316		WASHER
24	110422X		SUB= 146682
25	2751R		CLIP T
26	123772X		"SHAFT,SHIFTER"
27	19171216		WASHER
28	123793X		"ROD,TIE "
29	73530400		NUT 1/4-28
30	123787X		STRAP TORQUE
31	71208		BUSHING
32	123780X		BRKT TRANS LH
33	19212016		WASHER D
34	12000053		E RING HYT
35	123800X		WASHER
36	2228M		SUB= 2228M1
37	121327X		PULLEY TRANSAXLE
38	59192		VALVE CAP
39	65139		VALVE STEM LT
40	123792X		"KEEPER,BELT RH"
41	12000004		RING
42	4497H		RETAINER M
46	123776X		BRKT TRANS RH
74	104757X		HUB CAP
75	73800600		NUT
78	73350600		NUT