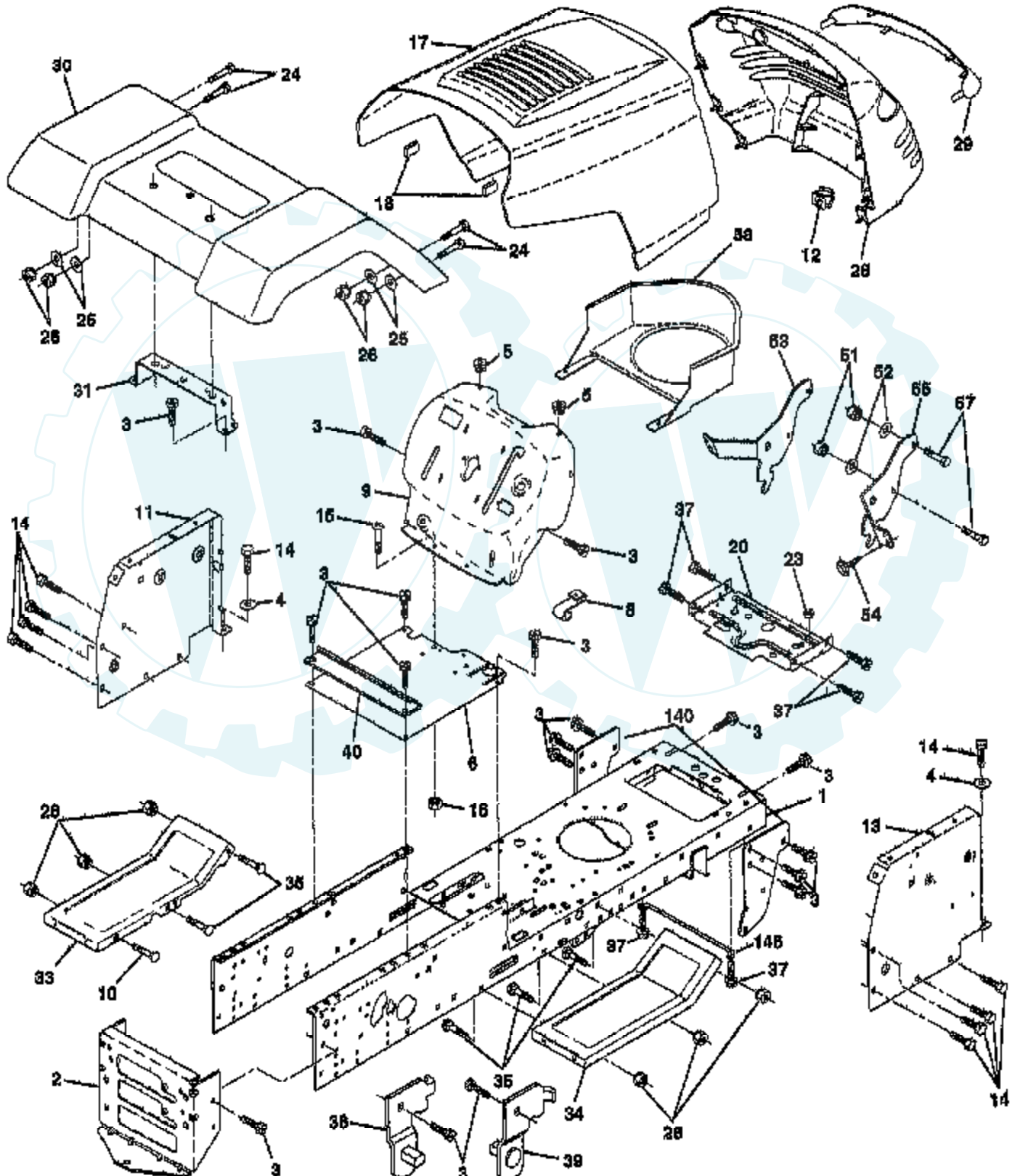


TRACTOR - - MODEL NUMBER YPB17H42B

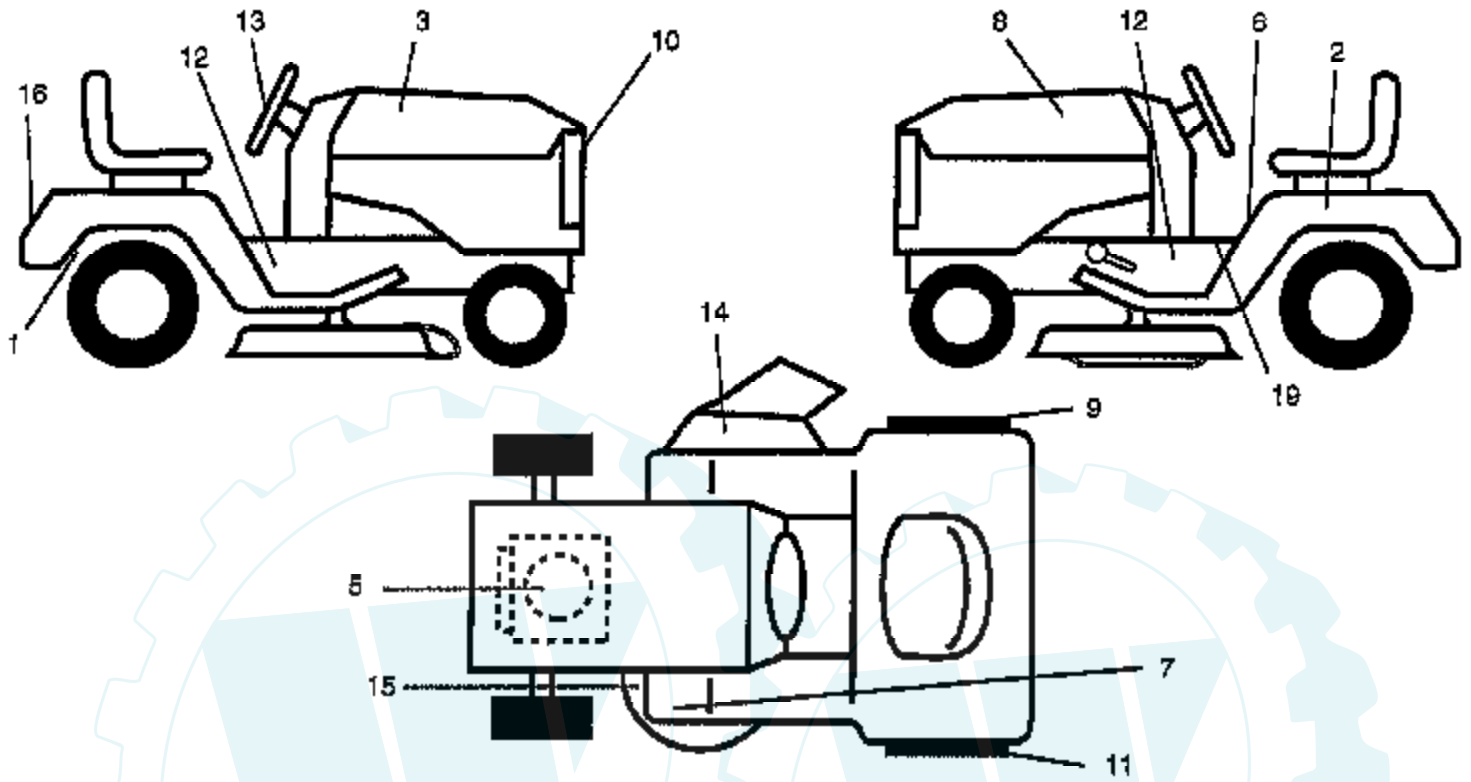
CHASSIS AND ENCLOSURES



| Ref # | Part Number | Qty | Description |
|-------|-------------|-----|----------------------------|
| 1 | 165480 | | CHASSIS.STAMPING |
| 2 | 140356 | | SUB= 145009 |
| 3 | 17060612 | | SCREW |
| 4 | 19131216 | | WASHER |
| 5 | 155272 | | BUMPER-HOOD/DASH |
| 6 | 155923 | | SADDLE |
| 8 | 155138 | | CLIP.RETAINER |
| 9 | 161938X012 | | DASH.SILKSCREEN |
| 10 | 72140608 | | SUB= 72110608 |
| 11 | 155927 | | "PANEL-DASH,LH" |
| 12 | 145660 | | CLIP.TINNERMAN |
| 13 | 169118 | | PANEL.ASM.DASH.RH |
| 14 | 17490608 | | SCREW LT |
| 15 | 74180512 | | SCREW |
| 16 | 73510500 | | NUT |
| 17 | 159639X428 | | "HOOD W/TRIM,MS428" |
| 18 | 126938X | | SUB= 532126938 |
| 20 | 156437 | | "PLATE-MTG,BATT/FU" |
| 23 | 124028X | | SUB= 532124028 |
| 24 | 74780616 | | BOLT |
| 25 | 19131312 | | WASHER |
| 26 | 73800600 | | NUT |
| 28 | 157428 | | GRILL |
| 29 | 146654X599 | | GRILLE.LENS |
| 30 | 168744X428 | | FENDER.LTST.WLDMNT.W/SHIFT |
| 31 | 139976 | | BRACKET SUPT FEND |
| 33 | 145244X428 | | FOOTREST PNT LH |
| 34 | 145243X428 | | FOOTREST.RH.LT/GT |
| 35 | 72110606 | | BOLT |
| 37 | 17490508 | | SCREW LT |
| 38 | 139886 | | BRACKET ASM LH |
| 39 | 139887 | | BRACKET ASM RH |
| 40 | 139977 | | SPACER FENDER LT |
| 51 | 73800400 | | NUT |
| 52 | 19091416 | | WASHER |
| 53 | 144697 | | BRACKET.GRILLE.LH |
| 54 | 161464 | | SCREW.HEX.WS.HD |
| 55 | 144696 | | BRACKET.GRILLE.RH |
| 57 | 74780412 | | SUB= 74780414 |
| 58 | 162266 | | AIR DUCT |
| 140 | 158418 | | BRKT SUSPENSION |
| 145 | 156524 | | "ROD POVOT,CHASSIS" |

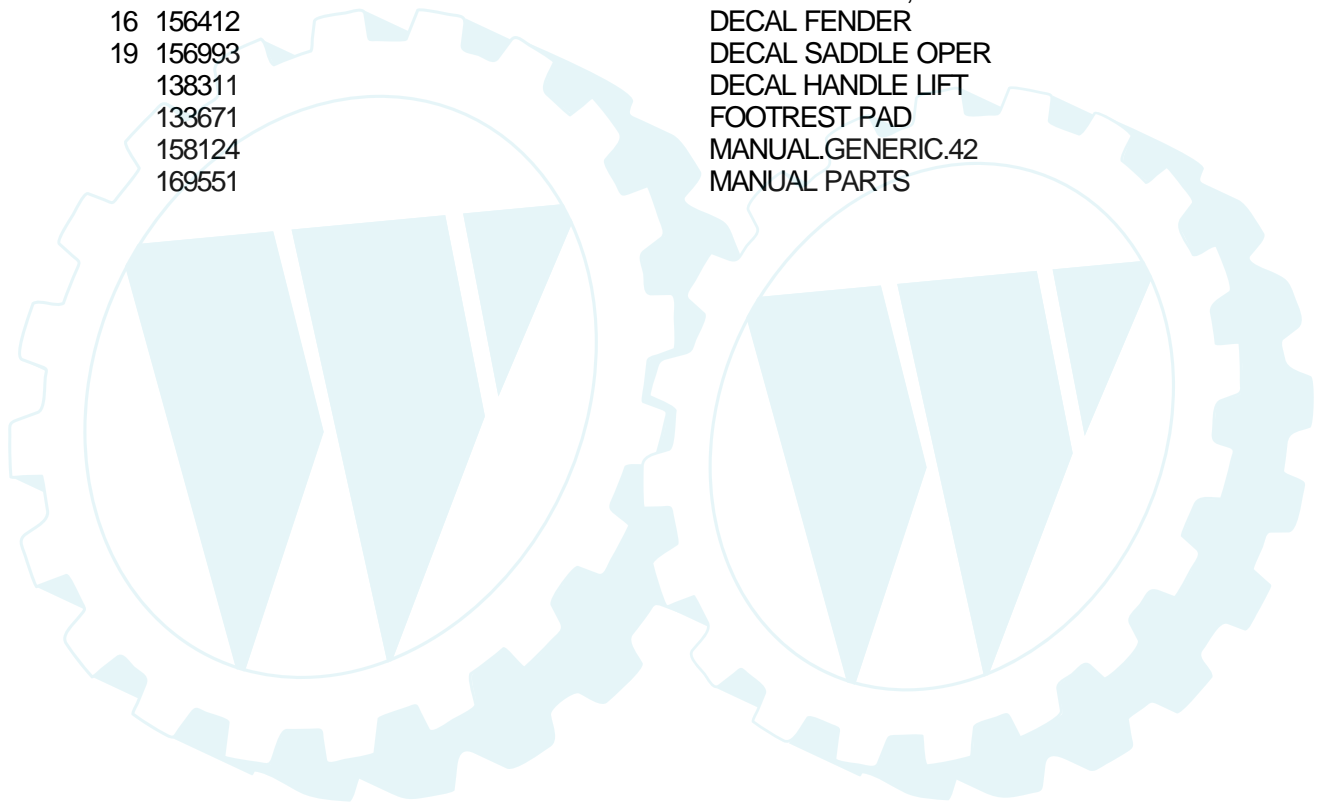
TRACTOR - - MODEL NUMBER YPB17H42B

DECALS



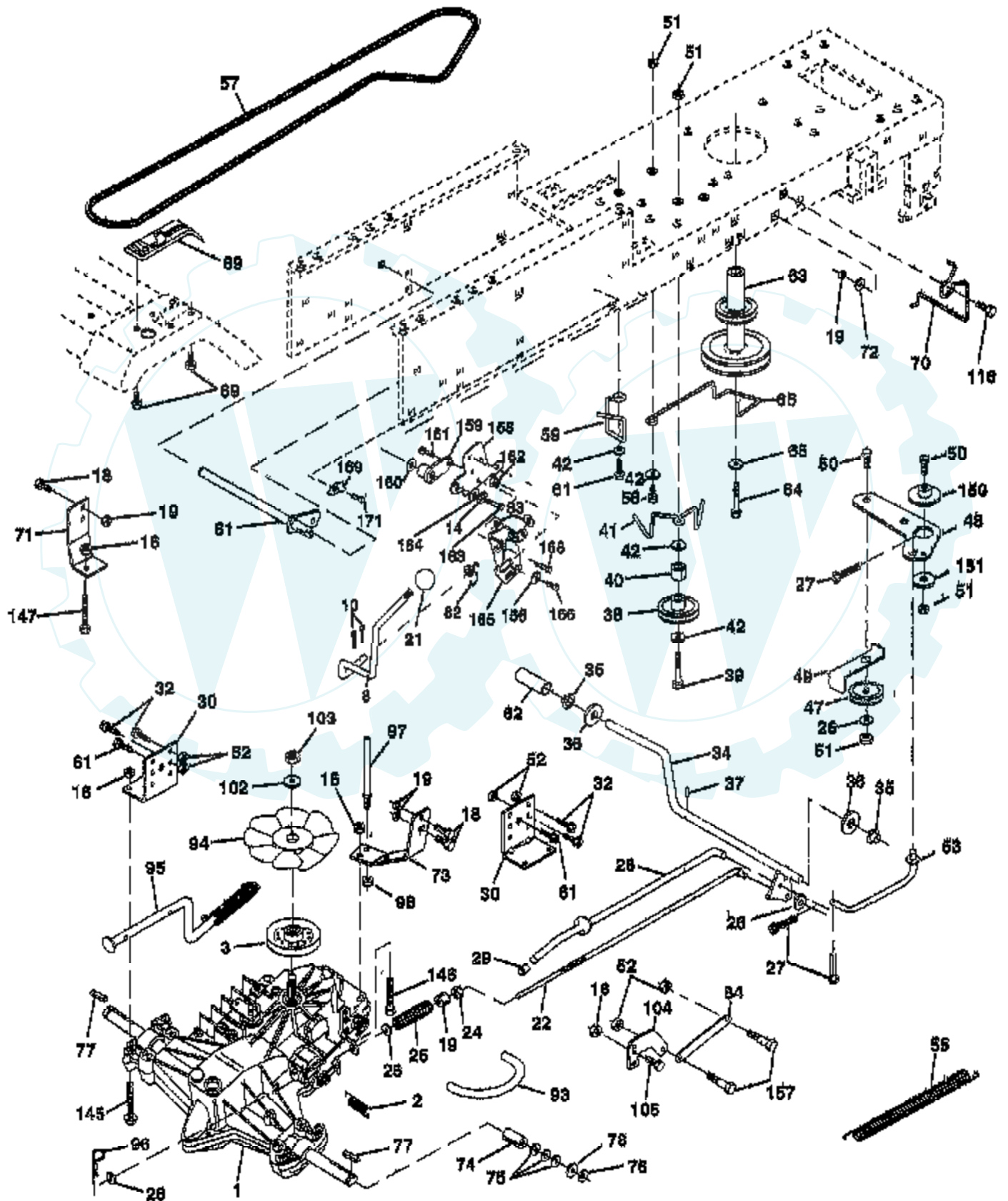
NOTE: All component dimensions given in U.S. inches
1 inch = 25.4 mm

| Ref # | Part Number | Qty | Description |
|-------|-------------|-----|------------------------|
| 1 | 169210 | | DECAL BY PASS LT HYDRO |
| 2 | 145005 | | DECAL.BATRY.3-3908 |
| 3 | 145005 | | DECAL.BATRY.3-3908 |
| 5 | 168894 | | DECAL, HP ENGINE |
| 6 | 157140 | | DECAL.CAUT.ENG/FR |
| 7 | 101892X | | DECAL T |
| 8 | 168784 | | DECAL |
| 9 | 156431 | | DECAL FENDER RH |
| 10 | 159210 | | DECAL LENS |
| 11 | 156432 | | DECAL FENDER LH |
| 12 | 159209 | | DECAL CHASSIS |
| 13 | 156428 | | DECAL INS STRG WH |
| 14 | 137259 | | "DECAL, WARNING" |
| 15 | 160396 | | "DECAL-SCHEM,BELT" |
| 16 | 156412 | | DECAL FENDER |
| 19 | 156993 | | DECAL SADDLE OPER |
| | 138311 | | DECAL HANDLE LIFT |
| | 133671 | | FOOTREST PAD |
| | 158124 | | MANUAL.GENERIC.42 |
| | 169551 | | MANUAL PARTS |



TRACTOR - - MODEL NUMBER YPB17H42B

DRIVE

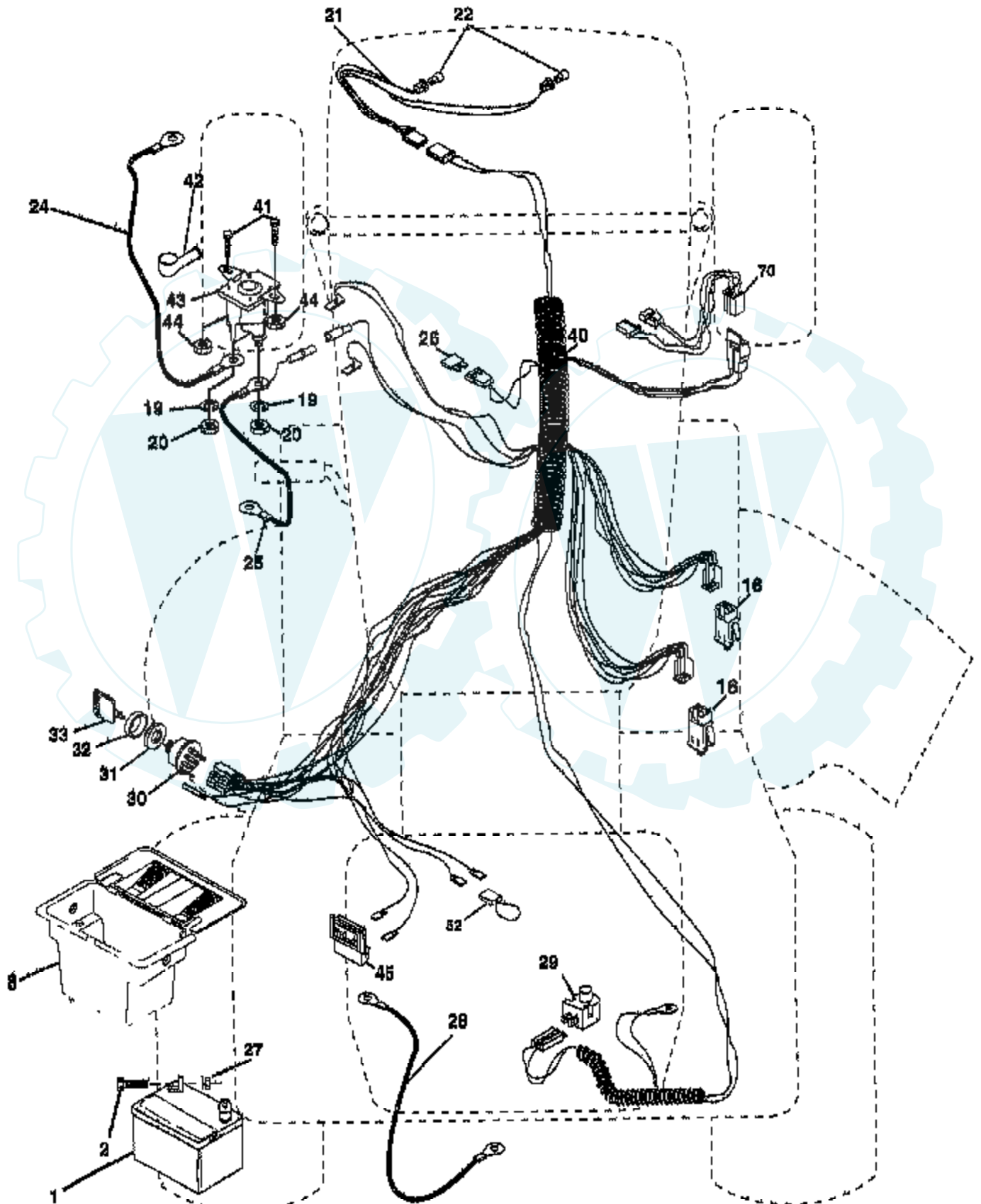


| Ref # | Part Number | Qty | Description |
|-------|-------------|-----|-----------------------------|
| 1 | SUPPLIER | | CHECK WITH SUPPLIER |
| 2 | 142431 | | SPRING RET BRAKE |
| 3 | 143995 | | PULLEY.TRANSAXLE |
| 8 | 165619 | | ROD.SHIFT.FENDER.ADJ.LT.CRD |
| 10 | 76020416 | | PIN COTTER 1/8 |
| 14 | 10040400 | | LOCKWASHER |
| 16 | 73800500 | | NUT |
| 18 | 74780616 | | BOLT |
| 19 | 73800600 | | NUT |
| 21 | 140845 | | KNOB DLX BLK/BLK |
| 22 | 145627 | | ROD.BRAKE.HYDRO. |
| 24 | 73550600 | | NUT HEX JAM 3/8-16 |
| 25 | 106888X | | SPRING ROD LT |
| 26 | 19131316 | | WASHER |
| 27 | 76020412 | | COTTER PIN |
| 28 | 145204 | | ROD.BRAKE.PARK.LT |
| 29 | 71673 | | PLUNGER CAP T |
| 30 | 130807 | | TRANSAXLE MTG BKT |
| 32 | 74760512 | | BOLT |
| 34 | 155071 | | SHAFT ASM-PEDAL F |
| 35 | 120183X | | NYLON BEARING |
| 36 | 19211616 | | WASHER LT |
| 37 | 1572H | | SUB= 2882J |
| 38 | 131494 | | FLAT IDLER PULLEY |
| 39 | 74760644 | | BOLT |
| 40 | 4470J | | SPACER T |
| 41 | 165838 | | "KEEPER,BELT.IDLER FLAT" |
| 42 | 19131312 | | WASHER |
| 47 | 127783 | | SUB= 139245 |
| 48 | 154407 | | BELLCRANK.CLUTCH |
| 49 | 123205X | | RETAIN BELT |
| 50 | 74760624 | | SUB= 74930624 |
| 51 | 73680600 | | SUB= 73690600 |
| 52 | 73680500 | | SUB= 73690500 |
| 53 | 105710X | | "LINK, CLUTCH T" |
| 55 | 105709X | | "SPRING, RETURN LT" |
| 56 | 74760620 | | SUB= 74780620 |
| 57 | 140294 | | "BELT.GD DRV 82"" |
| 59 | 140312 | | KEEPER BELT CNTSP |
| 61 | 17060612 | | SCREW |
| 62 | 123533X | | "COVER,PEDAL" |
| 63 | 140186 | | PULLEY.ENGINE |
| 64 | 71170764 | | BOLT |
| 65 | 10040700 | | LOCKWASHER |
| 66 | 154778 | | KEEPER-BELT |
| 69 | 142432 | | SCREW HEXWSH H-L |
| 70 | 134683 | | KEEPER BELT ENG |
| 71 | 140158 | | STRAP TORQ LH HYD |
| 72 | 19132012 | | WASHER |
| 73 | 156347 | | "STRAP-TORQUE,RH" |
| 74 | 121199X | | SPACER SPLIT |
| 75 | 121749X | | WASHER |
| 76 | 12000001 | | E-RING LT |
| 77 | 123583X | | SQUARE KEY |
| 78 | 121748X | | WASHER |
| 81 | 165591 | | SHAFT.ASM.CROSS |
| 82 | 123782X | | "SPRING TORSION" |
| 83 | 19171216 | | WASHER |

| Ref # | Part Number | Qty | Description |
|-------|-------------|-----|-----------------------------|
| 84 | 165815 | | LINK.TRANSAXLE.LT/YT |
| 89 | 164893X428 | | CONSOLE.SHIFT.LT |
| 93 | 142564 | | "LINE FUEL HYD 4"" |
| 94 | 140462 | | "FAN 7"" HYDRO" |
| 95 | 167696 | | CONTROL.ASM.BYPASS.HYDRO.99 |
| 96 | 4497H | | RETAINER M |
| 97 | 140469 | | BOLT KEEPER RH |
| 98 | 73510600 | | NUT |
| 102 | 141322 | | WASHER BELLEVILLE |
| 103 | 73940800 | | SUB= 73360800 |
| 104 | 140156 | | ARM CONTROL HYDRO |
| 105 | 71070516 | | SCREW CAP 5/16-18 |
| 116 | 72110610 | | BOLT RDHD 3/8-16 |
| 145 | 74490540 | | BOLT.HEX.FLGHD |
| 146 | 74490536 | | BOLT.HEX.FLGHD. |
| 147 | 74490524 | | BOLT.HEX.FLGHD |
| 150 | 165850 | | BUSHING.BELLCRANK.GRD.DR |
| 151 | 19133210 | | WASHER |
| 156 | 166002 | | WASHER.SRRTD.5/16 |
| 157 | 153236 | | "BOLT,SHOULDER" |
| 158 | 165589 | | BRKT.SHIFT.MOUNT |
| 159 | 165494 | | HUB.SHIFT |
| 160 | 19292016 | | WASHER |
| 161 | 72140406 | | BOLT T |
| 162 | 73680400 | | SUB= 73690400 |
| 163 | 74780416 | | NLA |
| 164 | 19091010 | | WASHER.5/8X.281X10GA |
| 165 | 165623 | | BRKT.PIVOT.LEVER |
| 166 | 166880 | | SCREW.5/16-18X5/8 |
| 168 | 165492 | | BOLT.SHOULDER.5/16-18X.561 |
| 169 | 165581 | | PLATE.FASTENING |
| 171 | 17490608 | | SCREW LT |

TRACTOR - - MODEL NUMBER YPB17H42B

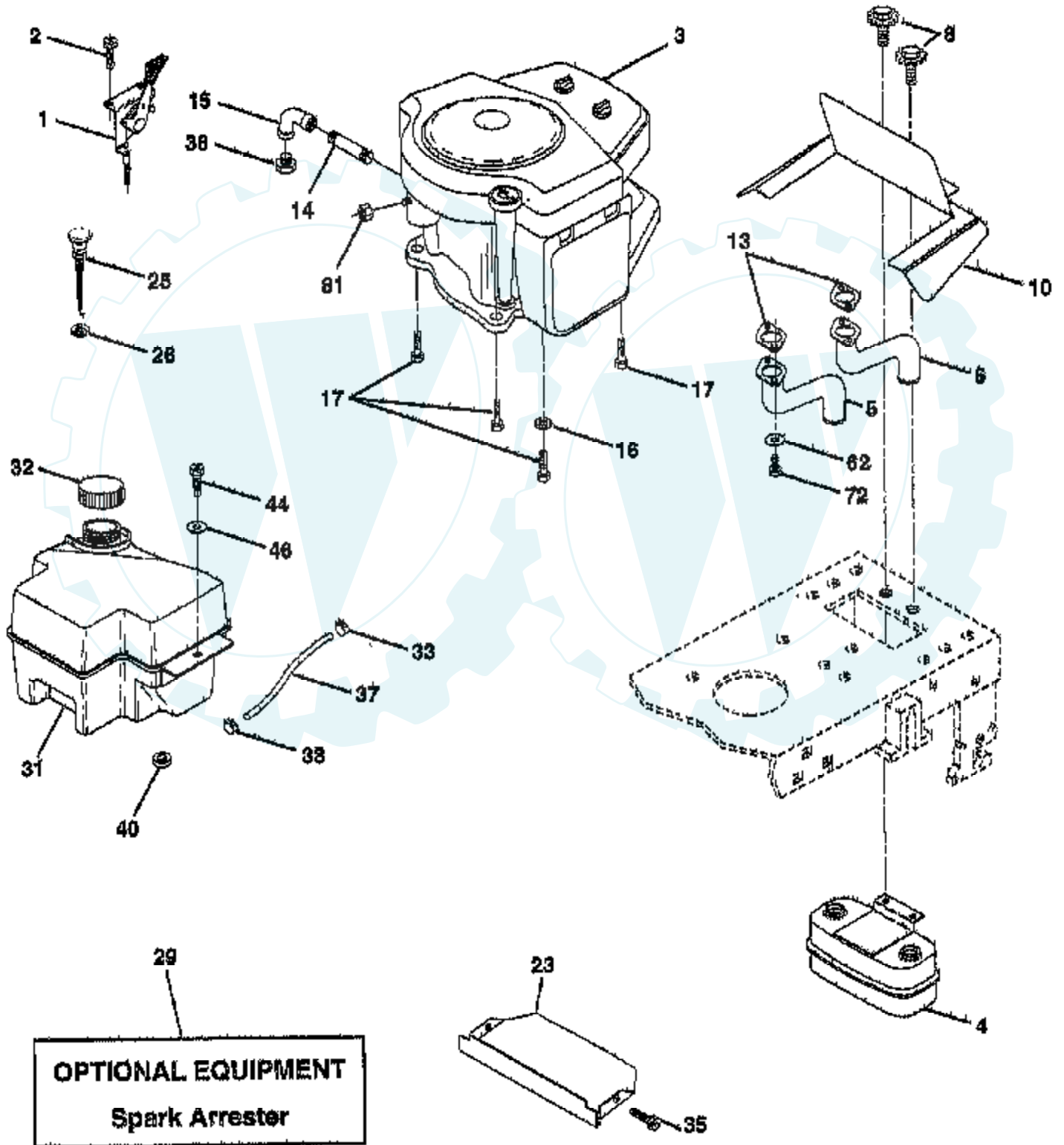
ELECTRICAL



| Ref # | Part Number | Qty | Description |
|-------|-------------|-----|--------------------------|
| | REFER | | REFER TO IMAGE |
| 1 | 144925 | | SUB= 123899X |
| 2 | 74760412 | | BOLT LT |
| 8 | 156417 | | "CASE,BATTERY.MECH" |
| 16 | 153664 | | SWITCH INTERLOCK |
| 19 | 10090400 | | SUB= 10040400 |
| 20 | 73350400 | | NUT |
| 21 | 166181 | | HARNES.ASM.LIGHT W/4152J |
| 22 | 4152J | | HEADLAMP BULB |
| 24 | 4799J | | "CABLE T, BATTERY" |
| 25 | 146147 | | CABLE.BTRY.6GA.RD |
| 26 | 166180 | | FUSE.15 AMP |
| 27 | 73510400 | | NUT |
| 28 | 4207J | | CABLE T |
| 29 | 121305X | | SWITCH SEAT |
| 30 | 140301 | | SWITCH IGN 4POS |
| 31 | 124211X | | NUT IGNITION |
| 32 | 141226 | | COVER KEY SWITCH |
| 33 | 122147X | | KEY |
| 40 | 166145 | | HARNES.IGNITION |
| 41 | 71110408 | | BOLT HXHD FIN |
| 42 | 131563 | | SUB= 154336 |
| 43 | 145673 | | SUB= 146154 |
| 44 | 73640400 | | NUT HXKEP 1/4X20 |
| 45 | 121433X | | SUB= 122822X |
| 52 | 141940 | | PROTECTION LOOP |
| 70 | 166659 | | HARNES.ENGINE.B&S |

TRACTOR - - MODEL NUMBER YPB17H42B

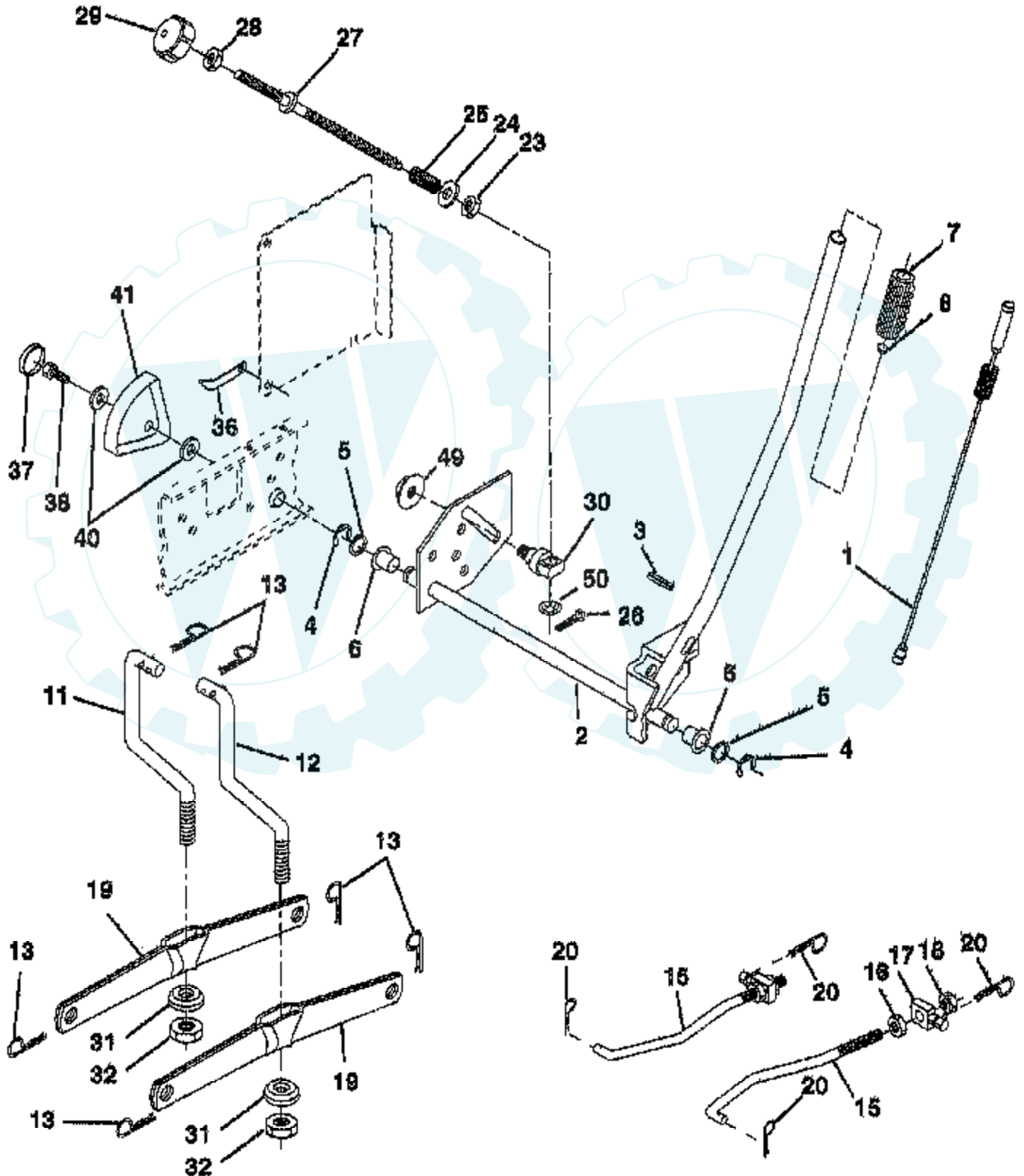
ENGINE



| Ref # | Part Number | Qty | Description |
|-------|-------------|-----|----------------------|
| 1 | 148875 | | CONTROL THROT. LH |
| 2 | 17720410 | | SCREW LT |
| 3 | SUPPLIER | | CHECK WITH SUPPLIER |
| 4 | 149723 | | MUFFLER.TW.LOTONE |
| 5 | 159955 | | TUBE MANIFOLD LH |
| 6 | 160589 | | TUBE MANIFOLD RH |
| 8 | 150176 | | BOLT.5/16-18.UNC |
| 10 | 162797 | | SHIELD.BROWNING |
| 13 | 165391 | | SUB= 273485 |
| 14 | 13280336 | | PIPE NIPPLE LT |
| 15 | 13200300 | | ELBOW |
| 16 | 11050600 | | LOCKWASHER |
| 17 | 17490624 | | SCREW LT |
| 23 | 156880 | | SHIELD BRN/DBR GUARD |
| 25 | 145996 | | CONTROL.CHOKE.37 |
| 26 | 73920600 | | "NUT,KEPS 3/8-24IM" |
| 29 | 137180 | | SUB= 532137180 |
| 31 | 161911 | | TANK.FUEL.FRONT. |
| 32 | 140527 | | CAP ASM FUEL |
| 33 | 123487X | | HOSE CLAMP |
| 35 | 17060512 | | SCREW |
| 37 | 137040 | | LINE FUEL |
| 38 | SUPPLIER | | CHECK WITH SUPPLIER |
| 40 | 124028X | | SUB= 532124028 |
| 44 | 17490412 | | SCREW HEX CRT |
| 46 | 19091416 | | WASHER |
| 62 | 10040500 | | LOCKWASHER |
| 72 | 71070512 | | SCREW |
| 81 | 128861 | | NUT |

TRACTOR - - MODEL NUMBER YPB17H42B

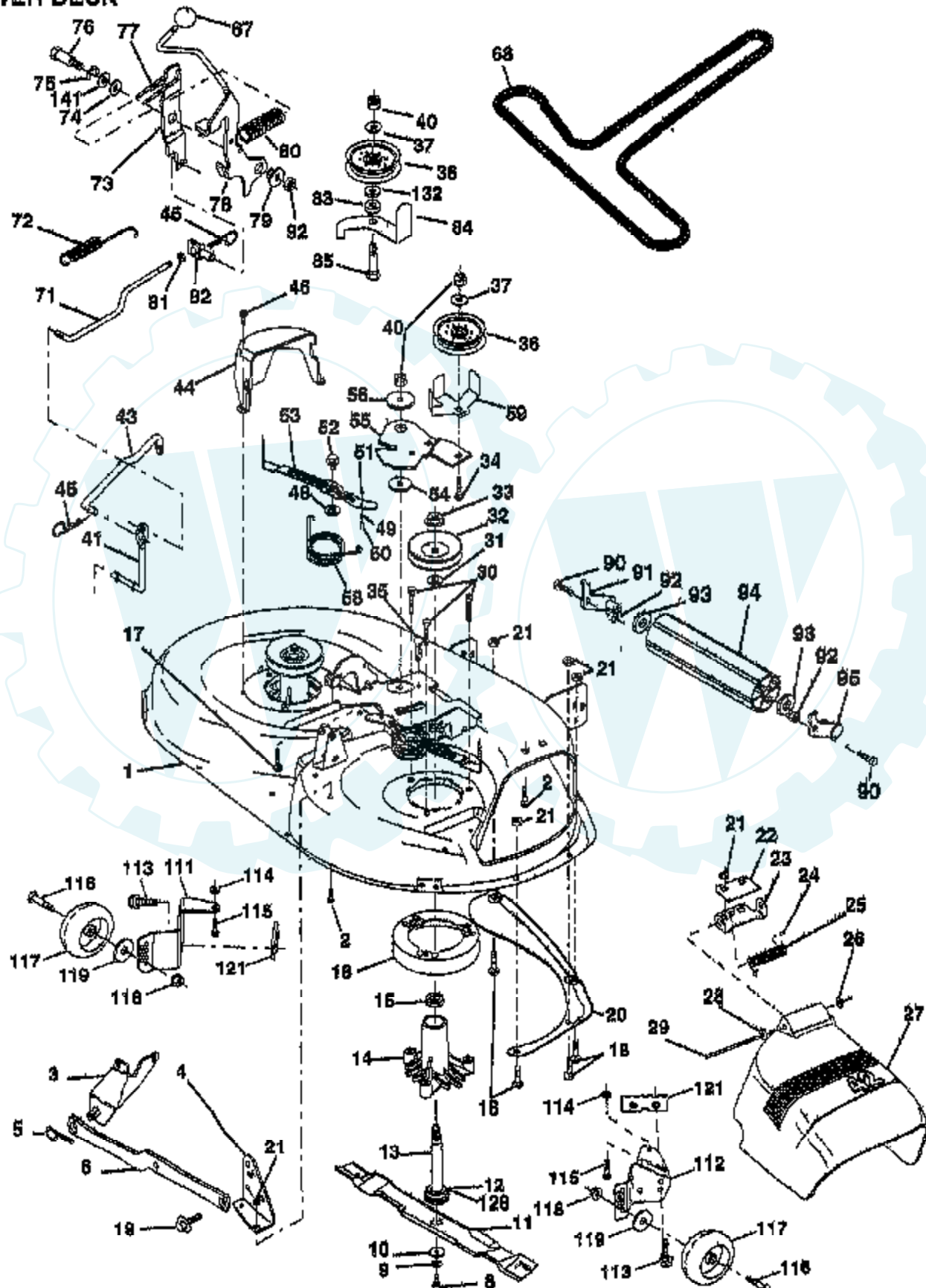
LIFT



| Ref # | Part Number | Qty | Description |
|-------|-------------|-----|---------------------|
| 1 | 159460 | | WIRE ASM W.SPRING |
| 2 | 159471 | | "SHAFT ASM LIFT,RH" |
| 3 | 105767X | | PIN-GROOVE LT |
| 4 | 12000002 | | SUB= 2225J |
| 5 | 19211621 | | WASHER |
| 6 | 120183X | | NYLON BEARING |
| 7 | 125631X | | GRIP HANDLE |
| 8 | 124526X | | SUB= 125925X |
| 11 | 139865 | | SUB= 918139865 |
| 12 | 139866 | | SUB= 151140 |
| 13 | 4939M | | SUB= 85902 |
| 15 | 127218 | | LINK.FRONT |
| 16 | 73350800 | | NUT |
| 17 | 130171 | | TRUNION |
| 18 | 73680800 | | NUT LTV |
| 19 | 139868 | | ARM SUSP REAR |
| 20 | 163552 | | RETAINER SPRING |
| 23 | 110807X | | NUT T |
| 24 | 19131016 | | WASHER |
| 25 | 2876H | | SPRING T |
| 26 | 76020308 | | SUB= 3145 |
| 27 | 126971X | | SUB= 532126971 |
| 28 | 73350600 | | NUT |
| 29 | 138057 | | KNOB INF 3/8-16 |
| 30 | 150233 | | TRUNNION |
| 31 | 140302 | | BEARING PVT LH |
| 32 | 73540600 | | NUT.CROWNLOCK.3/8 |
| 36 | 155097 | | POINTER-INDICAT |
| 37 | 123935X | | "PLUG,HOLE" |
| 38 | 17060512 | | SCREW |
| 40 | 19112410 | | WASHER |
| 41 | 123934X | | HEIGHT INDICATOR |
| 49 | 145212 | | NUT.HXFLG.LOCK. |
| 50 | 110452X | | NUT PUSH M |

TRACTOR - - MODEL NUMBER YPB17H42B

MOWER DECK

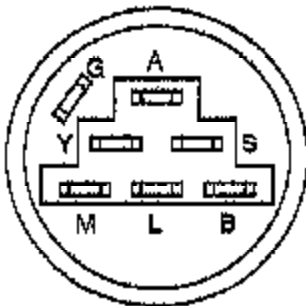
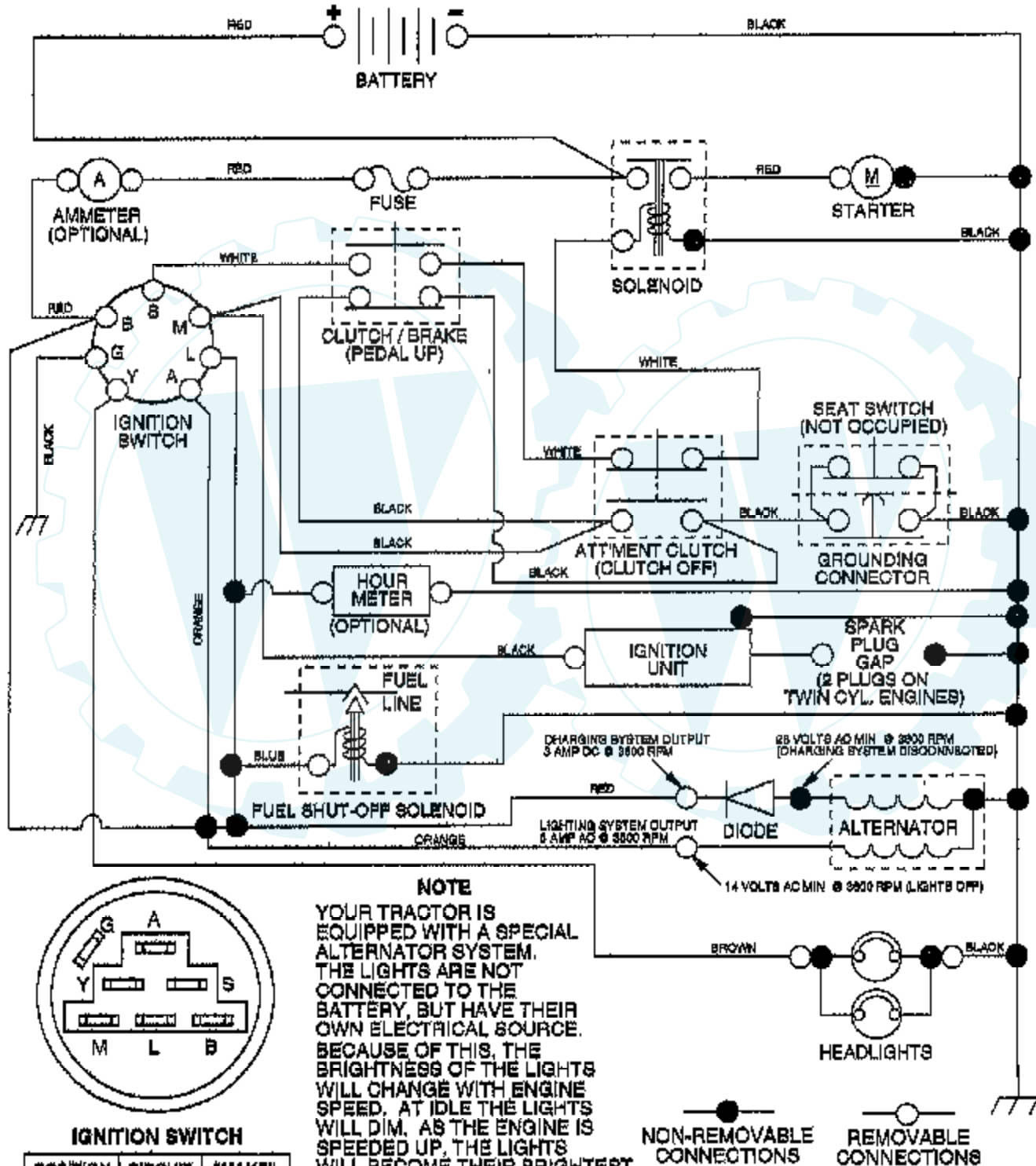


| Ref # | Part Number | Qty | Description |
|-------|-------------|-----|-----------------------|
| 1 | 164961 | | "HOUSING ASSY.42"" |
| 2 | 72140506 | | BOLT |
| 3 | 138017 | | BRKT ASM SWAY BAR |
| 4 | 138440 | | BRKT DECK SW BAR |
| 5 | 4939M | | SUB= 85902 |
| 6 | 130832 | | SUB= 130833 |
| 8 | 850857 | | BLADE BOLT |
| 9 | 10030600 | | SUB= 10040600 |
| 10 | 140296 | | WASHER.HARD.BLADE |
| 11 | 138498 | | "BLADE.42"" HIPERF" |
| 12 | 129895 | | BEARING.BALL |
| 13 | 137645 | | SUB= 137646 |
| 14 | 128774 | | HSG ASM MANDREL |
| 15 | 110485X | | BEARING |
| 16 | 140329 | | STRIPPER RND MWR |
| 17 | 72110610 | | BOLT RDHD 3/8-16 |
| 18 | 72140505 | | BOLT |
| 19 | 132827 | | BOLT SHD 5/16-18 |
| 20 | 159770 | | BAFFLE VORTEX 42 |
| 21 | 73680500 | | SUB= 73690500 |
| 22 | 134753 | | STIFFENER BRKT |
| 23 | 131267 | | DEFLECTOR BRKT |
| 24 | 105304X | | CAP-SLEEVE LT |
| 25 | 123713X | | SPRING TORSION |
| 26 | 110452X | | NUT PUSH M |
| 27 | 130968 | | DEFLECTOR.SHIELD |
| 28 | 19111016 | | WASHER |
| 29 | 131491 | | HINGE ROD |
| 30 | 157722 | | "SCREW-THD ROLL,WA" |
| 31 | 129963 | | WASHER |
| 32 | 153535 | | PULLEY.MANDREL.42 |
| 33 | 137266 | | SUB= 139729 |
| 34 | 72110614 | | BOLT |
| 35 | 133835 | | XMAS TREE FASTNER |
| 36 | 131494 | | FLAT IDLER PULLEY |
| 37 | 19131316 | | WASHER |
| 40 | 73680600 | | SUB= 73690600 |
| 41 | 133551 | | PIVOT ROD |
| 43 | 140083 | | ROD CLUTCH W/NIBS |
| 44 | 140088 | | GUARD MAND LH BLK |
| 45 | 4497H | | RETAINER M |
| 46 | 137729 | | SCREW.1/4-20X5/8 |
| 48 | 133944 | | HARD SMALL WASHER |
| 49 | 155066 | | ROLLER ASM-CAM |
| 50 | 131340 | | SHOULDER BOLT |
| 51 | 69180 | | LOCKNUT |
| 52 | 139888 | | BOLT.SHLD.5/16-18 |
| 53 | 131845 | | BRAKE PAD ARM ASM |
| 54 | 133943 | | HARDENED WASHER |
| 55 | 155046 | | ARM-IDLER |
| 56 | 165723 | | SPACER.RETAINER.MOWER |
| 58 | 140086 | | SPRING TORSN BRAK |
| 59 | 141043 | | GUARD IDLER TUV |
| 67 | 162132 | | KNOB.RD.7/16-14 |
| 68 | 144200 | | BELT.V.T-PATH |
| 71 | 142427 | | ROD CLUTCH 38/42 |
| 72 | 131870 | | RETURN SPRING |
| 73 | 127847 | | CLUTCH ARM SECOND |

| Ref # | Part Number | Qty | Description |
|-------|-------------|-----|-----------------------------|
| 74 | 121748X | | WASHER |
| 75 | 12000029 | | RING |
| 76 | 128903 | | SHOULDER BOLT |
| 77 | 127845 | | SPRING KEEPER |
| 78 | 160570 | | LEVER.ASM.CLUTCH |
| 79 | 127498 | | BUSHING |
| 80 | 153701 | | SPRING.CLUTCH.MWR |
| 81 | 73350600 | | NUT |
| 82 | 142028 | | TRUNION ADJ |
| 83 | 120958X | | WASHER |
| 84 | 156084 | | "KEEPER-BELT,FIXED" |
| 85 | 72140620 | | BOLT |
| 90 | 74760616 | | BOLT |
| 91 | 132274 | | SUB= 532132274 |
| 92 | 73800600 | | NUT |
| 93 | 19171416 | | WASHER |
| 94 | 132264 | | SUB= 532132264 |
| 95 | 132273 | | SUB= 532132273 |
| 111 | 155197 | | BRACKET.GWHL.LH. |
| 112 | 155198 | | BRACKET.GWHL.RH. |
| 113 | 17060512 | | SCREW |
| 114 | 73510500 | | NUT |
| 115 | 72110504 | | SUB= 872110504 |
| 116 | 4898H | | BOLT M |
| 117 | 165746 | | WHEEL.GUAGE |
| 118 | 73930600 | | LOCKNUT |
| 119 | 19121414 | | WASHER |
| 121 | 143723 | | BRACKET.EXTRD.GWL |
| 128 | 153390 | | WASHER.FELT. |
| 132 | 19132203 | | WASHER GT |
| 141 | 6266H | | WASHER .T |
| | 130794 | | MANDREL ASM |
| | 164962 | | "DECK.MOWER SERV.42"" MECH" |

TRACTOR - - MODEL NUMBER YPB17H42B

SCHEMATIC

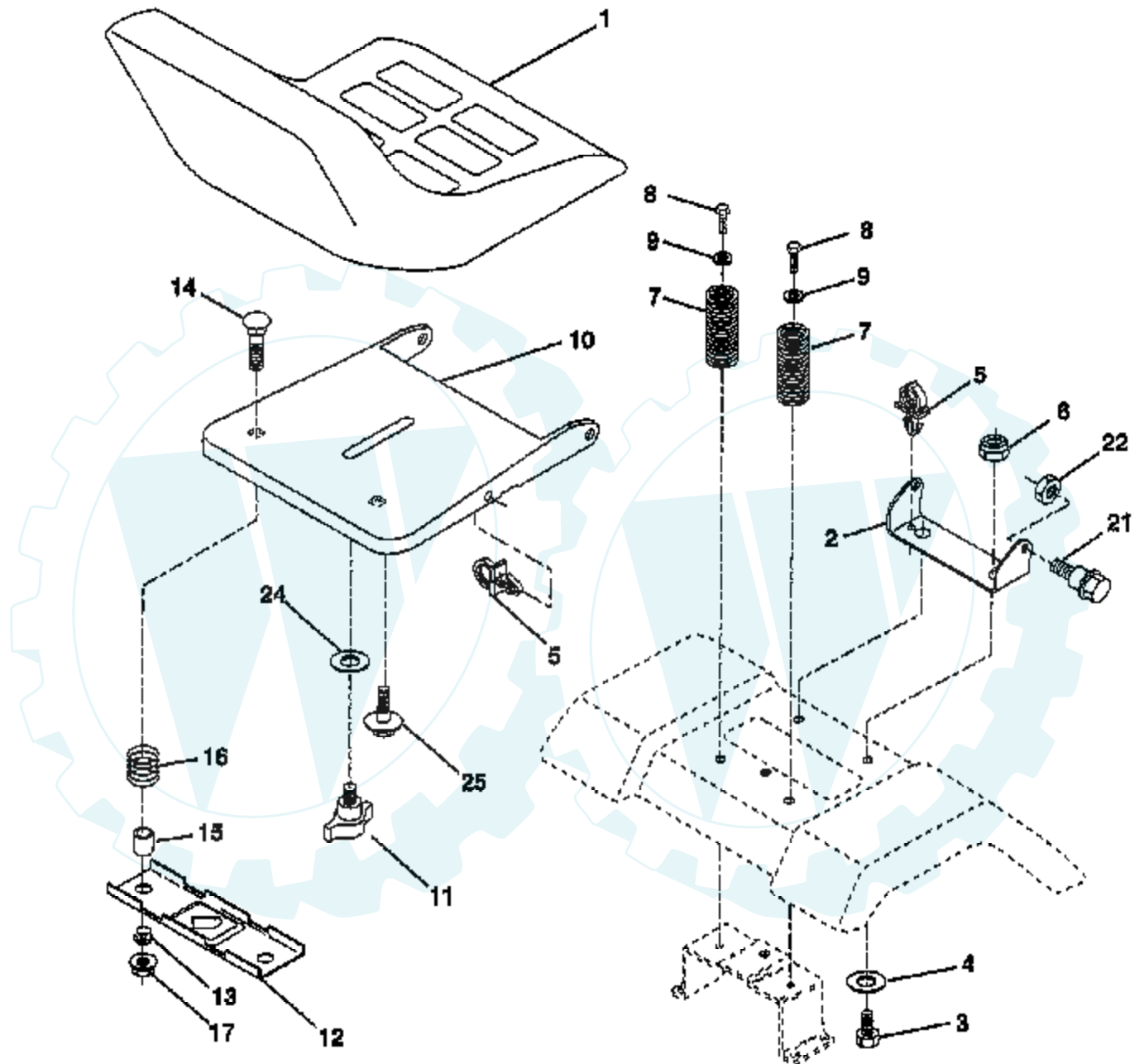


IGNITION SWITCH

| POSITION | CIRCUIT | "MAKE" |
|-----------|-----------|--------|
| OFF | G + M + L | NONE |
| RUN/LIGHT | B + L | A + Y |
| RUN | B + L | NONE |
| START | B + L + S | NONE |

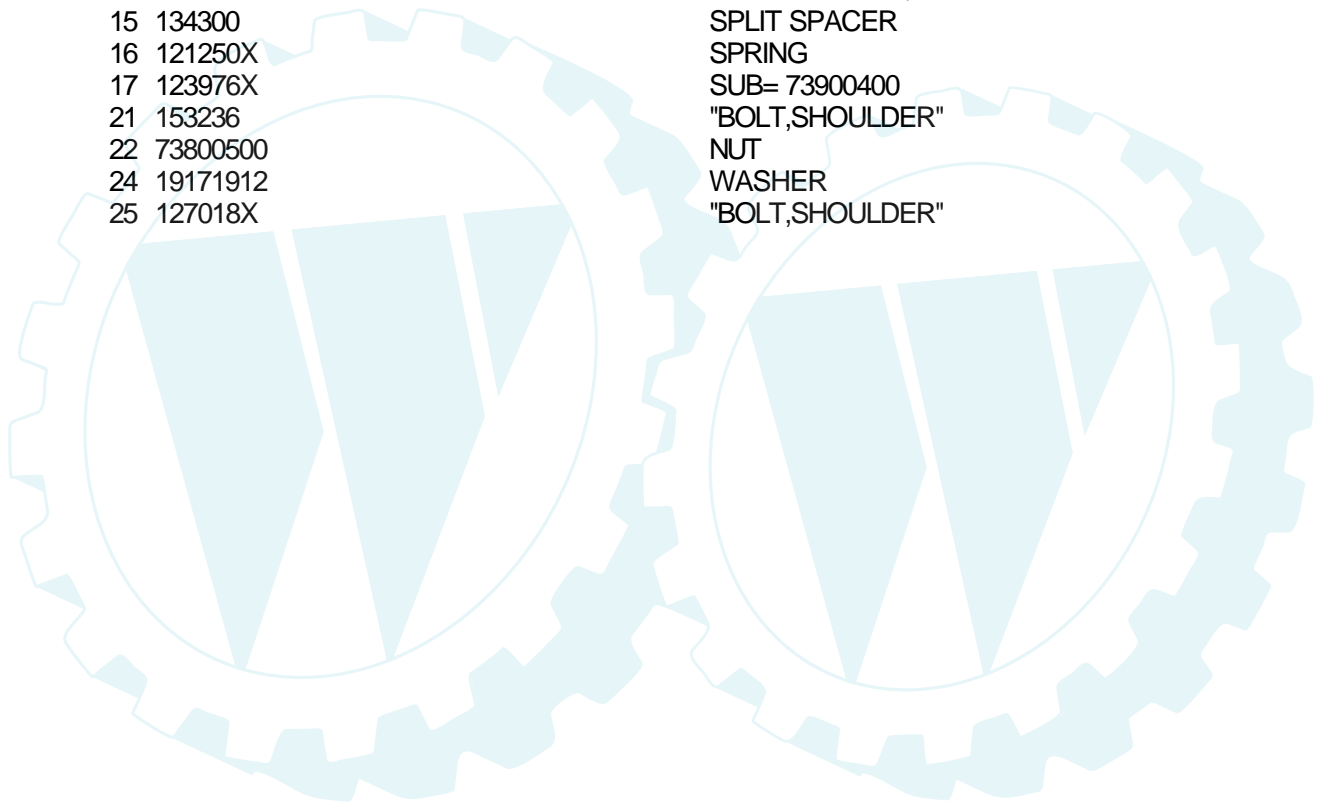
TRACTOR - - MODEL NUMBER YPB17H42B

SEAT ASSEMBLY



NOTE: All component dimensions given in U.S. inches
1 inch = 25.4 mm

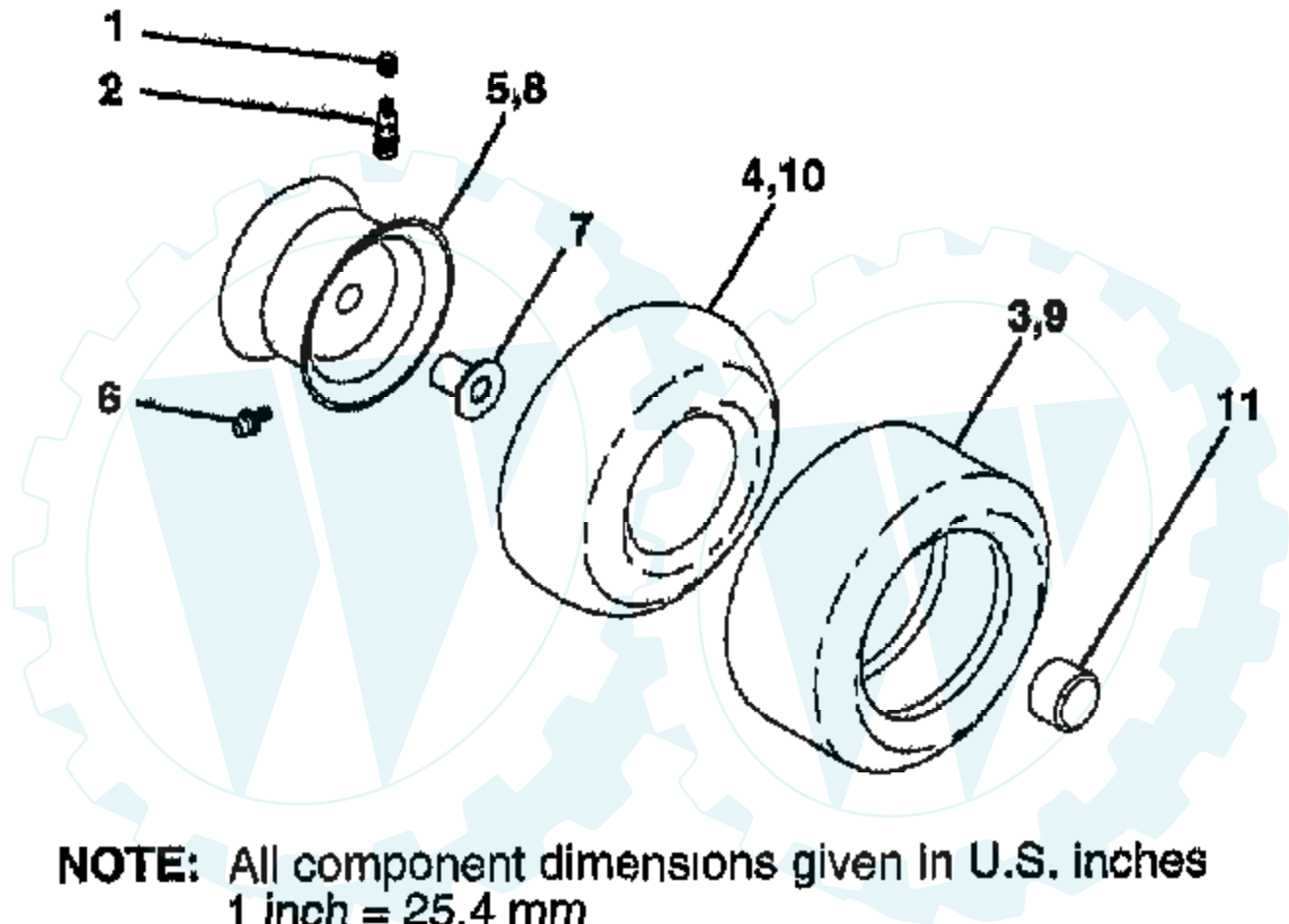
| Ref # | Part Number | Qty | Description |
|-------|-------------|-----|-----------------------|
| 1 | 140117 | | SEAT.2400/1416.BK |
| 2 | 140551 | | BRACKET PVT SEAT |
| 3 | 74760616 | | BOLT |
| 4 | 19131610 | | WASHER PM |
| 5 | 145006 | | CLIP.PUSH-IN.HING |
| 6 | 73800600 | | NUT |
| 7 | 124181X | | SPRING COMPRESSIO |
| 8 | 17060616 | | SCREW |
| 9 | 19131614 | | WASHER |
| 10 | 155925 | | PAN-SEAT |
| 11 | 166369 | | KNOB.SEAT.ADJ.WINGNUT |
| 12 | 121246X | | BRKT SWITCH |
| 13 | 121248X | | BUSHING |
| 14 | 72050412 | | BOLT-RD HD SQ NK |
| 15 | 134300 | | SPLIT SPACER |
| 16 | 121250X | | SPRING |
| 17 | 123976X | | SUB= 73900400 |
| 21 | 153236 | | "BOLT,SHOULDER" |
| 22 | 73800500 | | NUT |
| 24 | 19171912 | | WASHER |
| 25 | 127018X | | "BOLT,SHOULDER" |



| Ref # | Part Number | Qty | Description |
|-------|-------------|-----|------------------------|
| 1 | 121472X | | SUB= 150546 |
| 2 | 154427 | | AXLE ASM |
| 3 | 156483 | | SPINDLE.ASM.LH |
| 4 | 157473 | | "SPINDLE ASM,RH" |
| 5 | 6266H | | WASHER .T |
| 6 | 121748X | | WASHER |
| 7 | 19272016 | | WASHER |
| 8 | 12000029 | | RING |
| 9 | 3366R | | COL. SRTG. BEAR. |
| 10 | 156438 | | DRAGLINK-STAMPED |
| 11 | 10040600 | | LOCKWASHER |
| 13 | 154779 | | BEARING AXLE |
| 15 | 73901000 | | "NUT-LOC,FLANGE LT" |
| 17 | 156546 | | SHAFT ASM STEERIN |
| 18 | 57079 | | THRUST WASHER |
| 19 | 160395 | | SUPPORT.SHAFT.STEER |
| 22 | 165857 | | SCREW.HX.WSH.HD |
| 23 | 165851 | | SHAFT.ASM.PITMAN |
| 25 | 154406 | | BRKT-STEERING |
| 26 | 126847X | | BUSHING.DRAGLINK |
| 27 | 136874 | | GEAR SECTOR |
| 28 | 19131416 | | WASHER |
| 29 | 17060612 | | SCREW |
| 30 | 76020412 | | COTTER PIN |
| 32 | 130465 | | TIE ROD |
| 36 | 155099 | | BUSHING.STEERING |
| 37 | 152927 | | "SCREW-TT,10-32 FL" |
| 38 | 126805X | | "INSERT,STR WHEEL" |
| 39 | 19133812 | | WASHER |
| 40 | 7810H | | GRIPCO NUT |
| 41 | 100711L | | ADAPTER LT |
| 42 | 145054X428 | | BOOT.STEERING.DASH.P/L |
| 43 | 121749X | | WASHER |
| 44 | 153720 | | EXT SHAFT STEERIN |
| 46 | 121232X | | CAP |
| 47 | 6855M | | ZERK M |
| 51 | 73800500 | | NUT |
| 54 | 74780520 | | BOLT |
| 62 | 167902 | | KIT.STEER.ASM |
| 63 | 74780616 | | BOLT |
| 65 | 154780 | | SPACER AXLE |
| 66 | 154404 | | "BEARING-ARM,PITMA" |
| 67 | 74781044 | | BOLT |
| 68 | 154429 | | BRACE AXLE |
| 79 | 19132012 | | WASHER |
| 80 | 74950612 | | BOLT.HX.NYLON3/8-16X3/ |

TRACTOR - - MODEL NUMBER YPB17H42B

WHEELS AND TIRES



| Ref # | Part Number | Qty | Description |
|-------|-------------|-----|--------------------------|
| 1 | 59192 | | VALVE CAP |
| 2 | 65139 | | VALVE STEM LT |
| 3 | 106222X | | SUB= 122073X |
| 4 | PARTSIMAGE | | REFER TO PARTS IMAGE |
| 4 | 59904 | | TUBE.5.3/4.5/6 |
| 5 | 106732X427 | | "RIM ASM 6" FRT" |
| 6 | 278H | | FITTING LT |
| 7 | 9040H | | "FLANGE, BEARING" |
| 8 | 106108X427 | | "RIM AS 8" REAR" |
| 9 | 122082X | | SUB= 918122082X |
| 10 | PARTSIMAGE | | REFER TO PARTS IMAGE |
| 10 | 7152J | | TUBE.18X9.5-8 |
| 11 | 104757X | | HUB CAP |
| | 144334 | | SEALANT.TIRE 10 OZ. TUBE |

