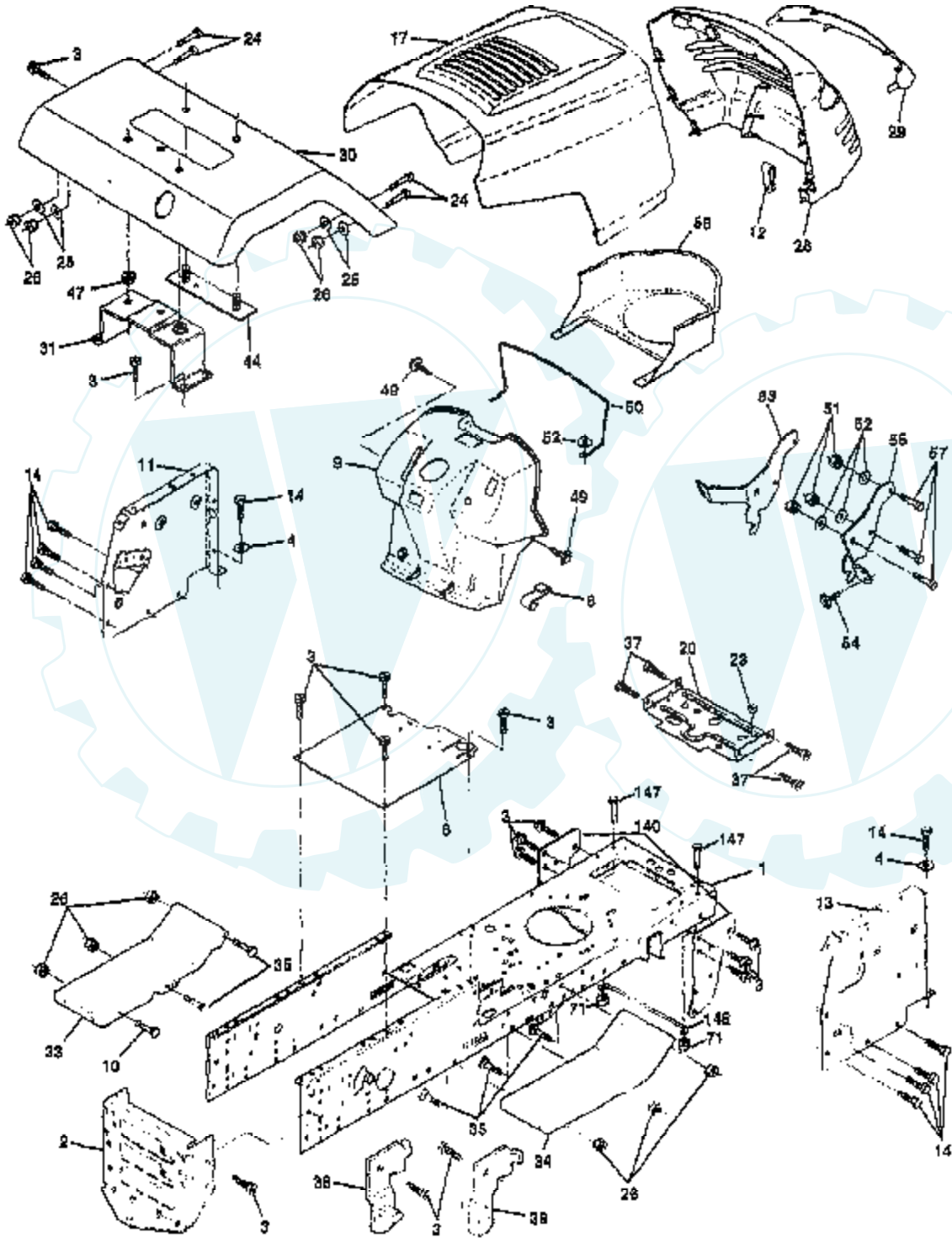


TRACTOR - - MODEL NUMBER YP1946A

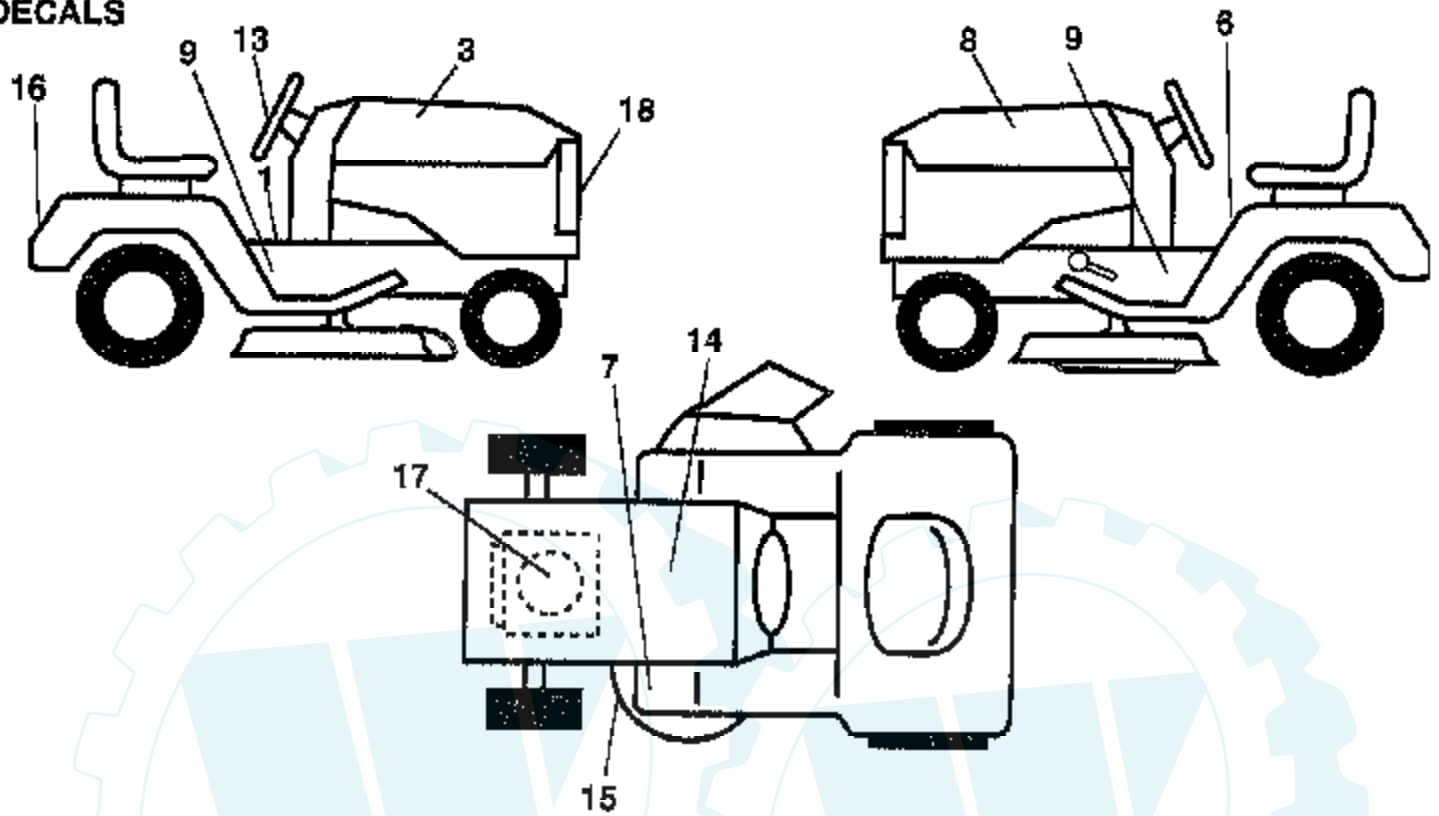
CHASSIS AND ENCLOSURES



Ref #	Part Number	Qty	Description
1	159530		CHASSIS ASM
2	140356		SUB= 145009
3	17490612		SCREW
4	19131216		WASHER
6	155923		SADDLE
8	126471X		"CLIP,INSULATOR"
9	156243		DASH.PRVT.LBL.
10	72140608		SUB= 72110608
11	155931		PANEL DASH ASM
12	145660		CLIP.TINNERMAN
13	155938		"PANEL DASH,RH"
14	17490608		SCREW LT
17	139394X428		SUB= 159639X428
20	156437		"PLATE-MTG,BATT/FU"
23	124028X		SUB= 532124028
24	74780616		BOLT
25	19131312		WASHER
26	73800600		NUT
28	157428		GRILL
29	146654		LENS.EURO.W/DECAL
30	140002X428		"FENDER WS,FTK"
31	137113		BRKT.ASM.FENDER
33	145244X428		FOOTREST PNT LH
34	145243X428		FOOTREST.RH.LT/GT
35	72110606		BOLT
37	17490508		SCREW LT
38	139886		BRACKET ASM LH
39	139887		BRACKET ASM RH
44	140675		STRAP ASM FENDER
47	105531X		NUT-PUSH YT
49	17490412		SCREW HEX CRT
50	156271		"ROD SUPPORT,DASH"
51	73800400		NUT
52	19091416		WASHER
53	144697		BRACKET.GRILLE.LH
54	17030814		SUB= 91817030814
55	144696		BRACKET.GRILLE.RH
57	74780412		SUB= 74780414
58	140527		CAP ASM FUEL
71	73680400		SUB= 73690400
140	158418		BRKT SUSPENSION
145	156524		"ROD POVOT,CHASSIS"
147			CHECK WITH SUPPLIER
	5479J		PLUG BUTTON T

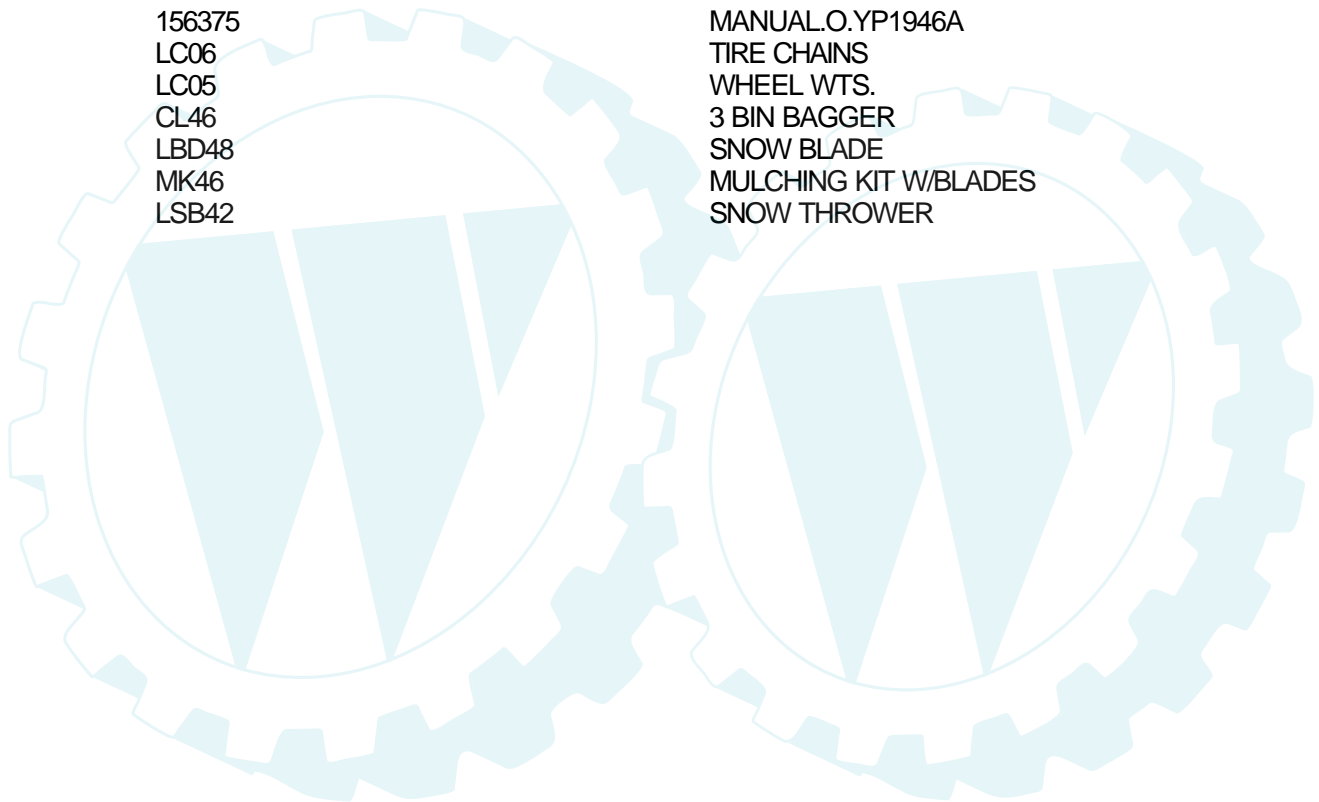
TRACTOR -- MODEL NUMBER YP1946A

DECALS



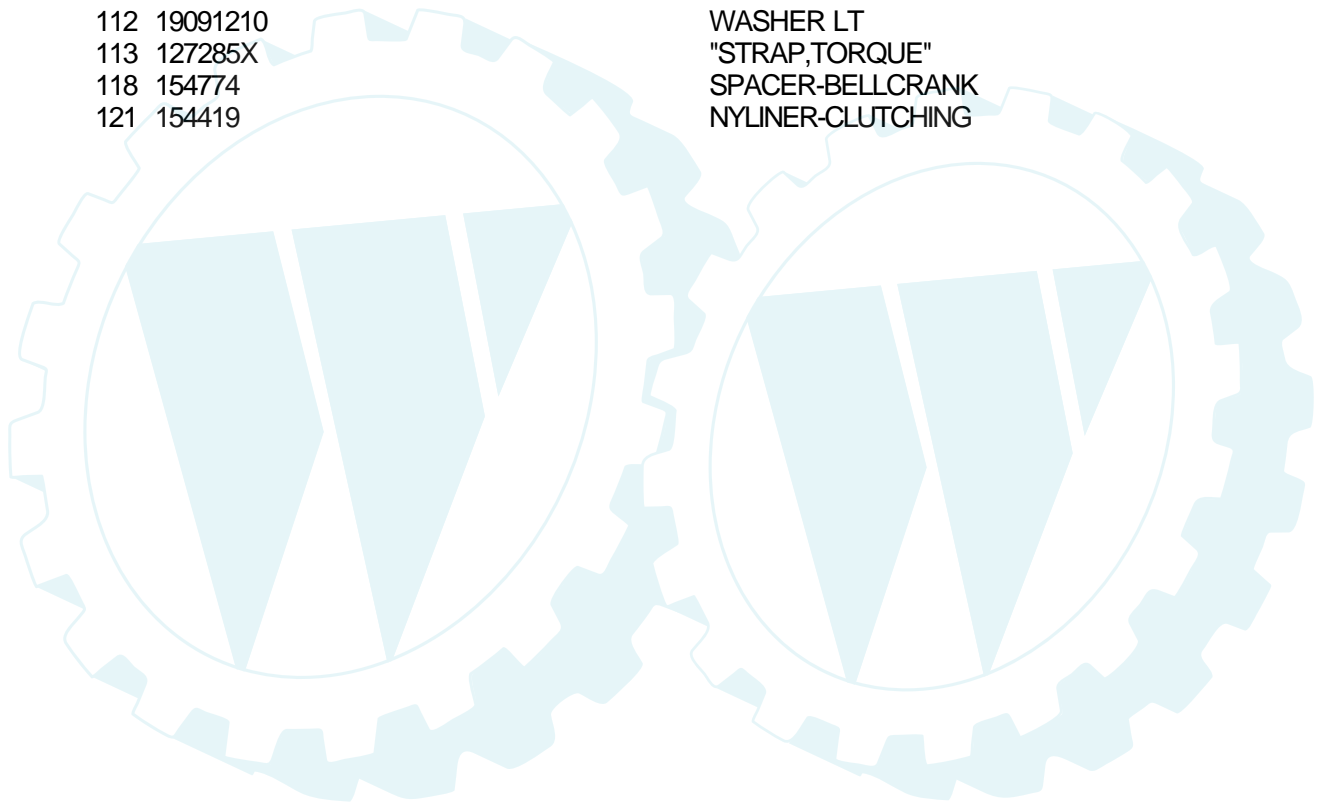
NOTE: All component dimensions given in U.S. inches
1 Inch = 25.4 mm.

Ref #	Part Number	Qty	Description
1	156867		"DECAL DASH,OPER."
3	159216		"DECAL HOOD,RH 19H"
6	157002		"DECAL DANGER,FEND"
7	4900J		DECAL T
8	159127		MANL.P.YP6Y22CHA
9	157582		"DECAL CHASSIS,46""
13	156428		DECAL INS STRG WH
14	145005		DECAL.BATRY.3-3908
15	139346		"DECAL.V.BELT.44""
16	156412		DECAL FENDER
17	273218		DECAL, HP ENGINE
18	159210		DECAL LENS
	138311		DECAL HANDLE LIFT
	133671		FOOTREST PAD
	156375		MANUAL.O.YP1946A
	LC06		TIRE CHAINS
	LC05		WHEEL WTS.
	CL46		3 BIN BAGGER
	LBD48		SNOW BLADE
	MK46		MULCHING KIT W/BLADES
	LSB42		SNOW THROWER



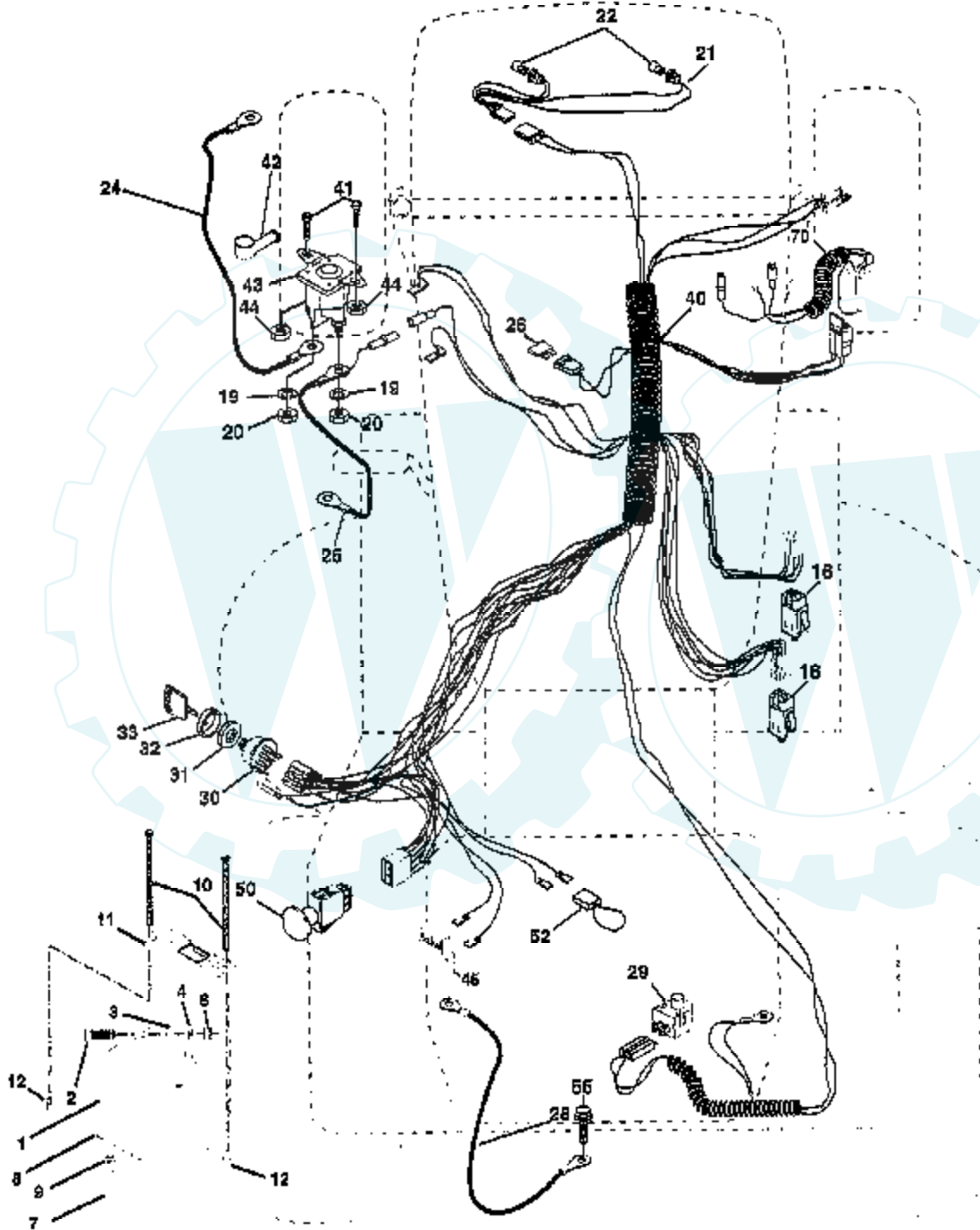
Ref #	Part Number	Qty	Description
2	146682		SPRING.BRAKE.RETU
3	123666X		PULLEY TRANS
4	12000028		SUB= 2267J
5	121520X		STRAP TORQUE
6	17490512		SCREW
8	141002		ROD SHIFT FEND YT
9	137140		SUB= 142600
10	76020416		PIN COTTER 1/8
11	105701X		WASH-SHFT PLT LT
13	74550412		BOLT.1/4-28.W/PAT
14	10040400		LOCKWASHER
15	74490544		BOLT.HX.FLG.5/16
17	126197X		WASHER
18	74780616		BOLT
19	73800600		NUT
20	150280		BOLT.7/16-20X4.25
21	121274X		KNOB.DUCKHEAD.1/2
22	130804		BRAKE ROD
23	137141		BRACKET.ASM.MTG
24	73350600		NUT
25	106888X		SPRING ROD LT
26	19131316		WASHER
27	76020412		COTTER PIN
28	145204		ROD.BRAKE.PARK.LT
29	71673		PLUNGER CAP T
30	130807		TRANSAXLE MTG BKT
31	127275X		"KEEPER,BELT LH T"
32	74760512		BOLT
33	72140506		BOLT
34	155071		SHAFT ASM-PEDAL F
35	120183X		NYLON BEARING
36	19211616		WASHER LT
37	1572H		SUB= 2882J
38	123674X		PULLEY.IDLER.FLAT
39	74760644		BOLT
40	4470J		SPACER T
41	154777		SUB= 165692
42	19131312		WASHER
43	19111012		WASHER T
47	127783		SUB= 139245
48	154604		BELLCRANK ASM
49	123205X		RETAIN BELT
50	74760624		SUB= 74930624
51	73680600		SUB= 73690600
52	73680500		SUB= 73690500
53	105710X		"LINK, CLUTCH T"
55	105709X		"SPRING, RETURN LT"
56	74760620		SUB= 74780620
57	130801		SUB= 138255
59	140312		KEEPER BELT CNTSP
61	17490612		SCREW
62	123533X		"COVER,PEDAL"
63	140189		PULLEY CLU ELEC
65	10040700		LOCKWASHER
66	154778		KEEPER-BELT
74	137057		SPACER AXLE
75	121749X		WASHER
76	12000001		E-RING LT

Ref #	Part Number	Qty	Description
77	123583X		SQUARE KEY
78	121748X		WASHER
79	2228M		SUB= 2228M1
80	145090		"ARM.SHIFT.20""TIRE"
81	156049		SHAFT.CROS.P930.
82	123782X		"SPRING,TORSION"
83	19171216		WASHER
84	145643		"ROD.TIE.20""P930LT"
86	71208		BUSHING
87	19212016		WASHER D
88	12000008		KLIP RING
89	139991		CONSOLE SHIFT
90	124346X		NUT
96			CHECK WITH SUPPLIER
112	19091210		WASHER LT
113	127285X		"STRAP,TORQUE"
118	154774		SPACER-BELLCRANK
121	154419		NYLINER-CLUTCHING



TRACTOR -- MODEL NUMBER YP1946A

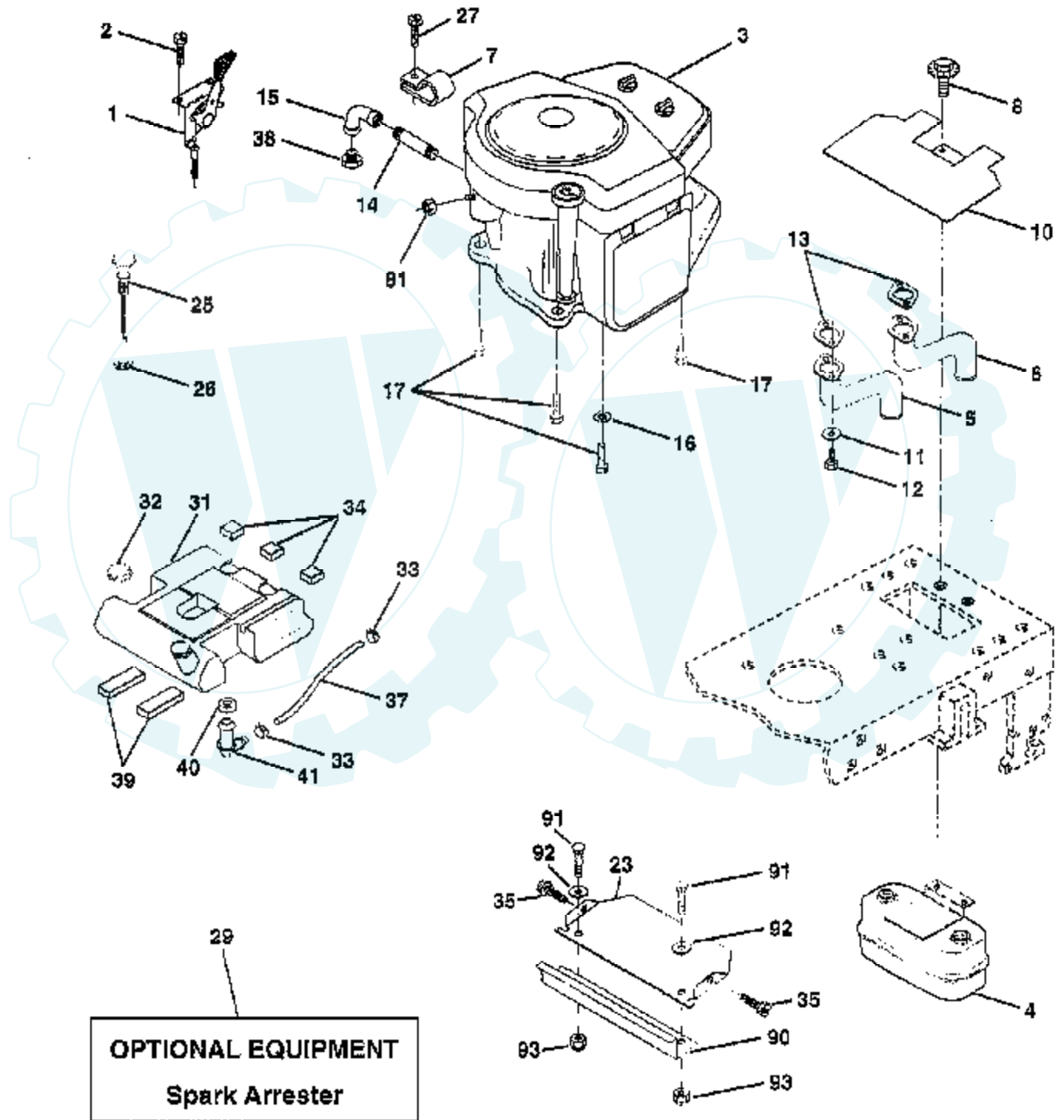
ELECTRICAL



Ref #	Part Number	Qty	Description
1	144925		SUB= 123899X
2			CHECK WITH SUPPLIER
3	19091016		WASHER
4	10040400		LOCKWASHER
6	73220400		SUB= 50675
7	7697J		"DRAIN TU T, BATT"
8	7603J		"TRAY T, BATTERY"
9	109596X		HOSE CLAMP T
10	145211		SUB= 150177
11	150109		HOLDDOWN BATTERY
12	145769		SUB= 150177
16	153664		SWITCH INTERLOCK
19	10090400		SUB= 10040400
20	73350400		NUT
21	136850		"HARNES, LIGHT SOC"
22	4152J		HEADLAMP BULB
24	4799J		"CABLE T, BATTERY"
25	146148		CABLE.6GA.22W/16W
26	108824X		FUSE HYT
28	145491		CABLE.GRND.6GA.21
29	121305X		SWITCH SEAT
30	140301		SWITCH IGN 4POS
31	124211X		NUT IGNITION
32	141226		COVER KEY SWITCH
33	122147X		KEY
40	158684		HARNES IGNITION
41	71110408		BOLT HXHD FIN
42	131563		SUB= 154336
43	145673		SUB= 146154
44	73640400		NUT HXKEP 1/4X20
45	122822X		AMMETER
50	154959		PTO SWITCH.BLK
52	141940		PROTECTION LOOP
55	17490508		SCREW LT
70	143906		HARNES ENG B&S

TRACTOR - - MODEL NUMBER YP1946A

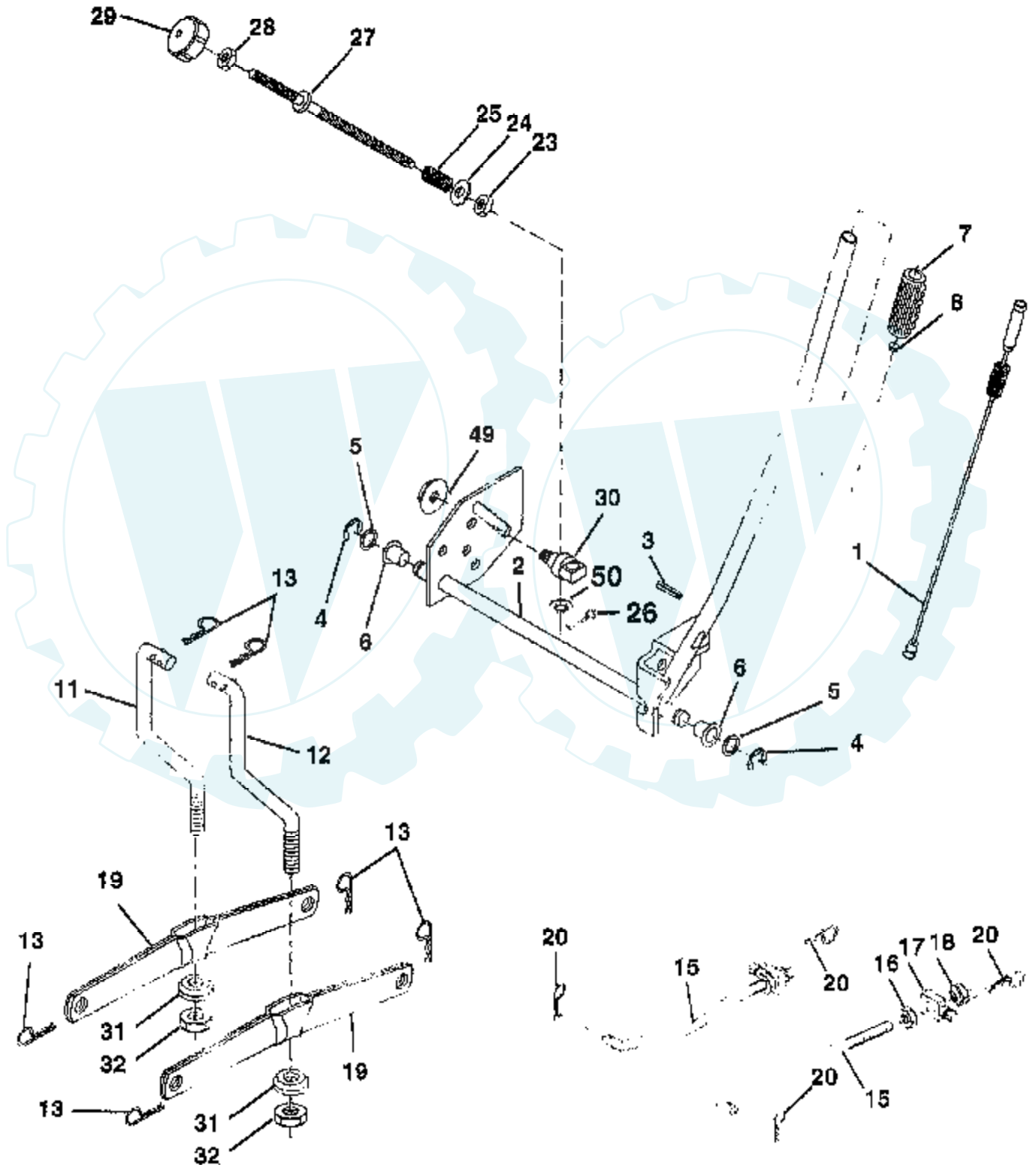
ENGINE



Ref #	Part Number	Qty	Description
1	141295		CONTROL THRT 35.5
2	17720410		SCREW LT
3			CHECK WITH SUPPLIER
4	149723		MUFFLER.TW.LOTONE
5	144069		EXHAUST.B&S.18.LH
6	144068		EXHAUST.B&S.18.RH
7	138129		CLAMP.TUBE.DBL.EN
8	150176		BOLT.5/16-18.UNC
10	145552		SHIELD.HEAT.
14	13280336		PIPE NIPPLE LT
15	13200300		ELBOW
16	11050600		LOCKWASHER
17	17490624		SCREW LT
23	156123		SHIELD-HEAT
25	145996		CONTROL.CHOKE.37
26	73920600		"NUT,KEPS 3/8-24IM"
27	152927		"SCREW-TT,10-32 FL"
29	137180		SUB= 532137180
31	151346		TANK FUEL REAR
32	140527		CAP ASM FUEL
33	123487X		HOSE CLAMP
34	106082X		PAD-SPACER LT
35	17490512		SCREW
37	8543R		FUEL LINE T
39	109227X		PAD IDLER TI
40	3645J		BUSHING OUTLET T
41	139277		STEM.TANK.FUEL
81	128861		NUT
90	159520		GUARD-DEBRIS
91	7110408		BOLT BLK FIN HEX 1/4-20 UNCX 1/2
92	19091016		WASHER
93	123976X		SUB= 73900400

TRACTOR - - MODEL NUMBER YP1946A

LIFT



Ref #	Part Number	Qty	Description
1	159460		WIRE ASM W.SPRING
2	159479		SHAFT ASM LFT LH
3	138284		PIN GROOVE
4	12000002		SUB= 2225J
5	19211621		WASHER
6	120183X		NYLON BEARING
7	125631X		GRIP HANDLE
8	124526X		SUB= 125925X
11	139865		SUB= 918139865
12	139866		SUB= 151140
13	4939M		SUB= 85902
15	127218		LINK.FRONT
16	73350800		NUT
17	130171		TRUNION
18	73800800		NUT.LK.W/WSH.1/2.
19	139868		ARM SUSP REAR
20	3146R		RETAINER.SPRING
23	110807X		NUT T
24	19131016		WASHER
25	2876H		SPRING T
26	76020308		SUB= 3145
27	126971X		SUB= 532126971
28	73350600		NUT
29	138057		KNOB INF 3/8-16
30	150233		TRUNNION
31	140302		BEARING PVT LH
32	73540600		NUT.CROWNLOCK.3/8
36	155097		POINTER-INDICAT
37	123935X		"PLUG,HOLE"
38	17490512		SCREW
40	19112410		WASHER
41	123934X		HEIGHT INDICATOR
49	145212		NUT.HXFLG.LOCK.
50			CHECK WITH SUPPLIER

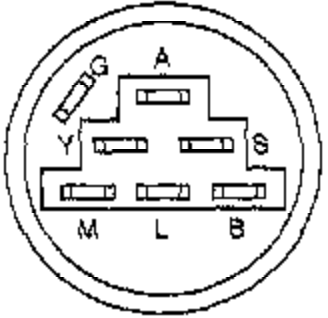
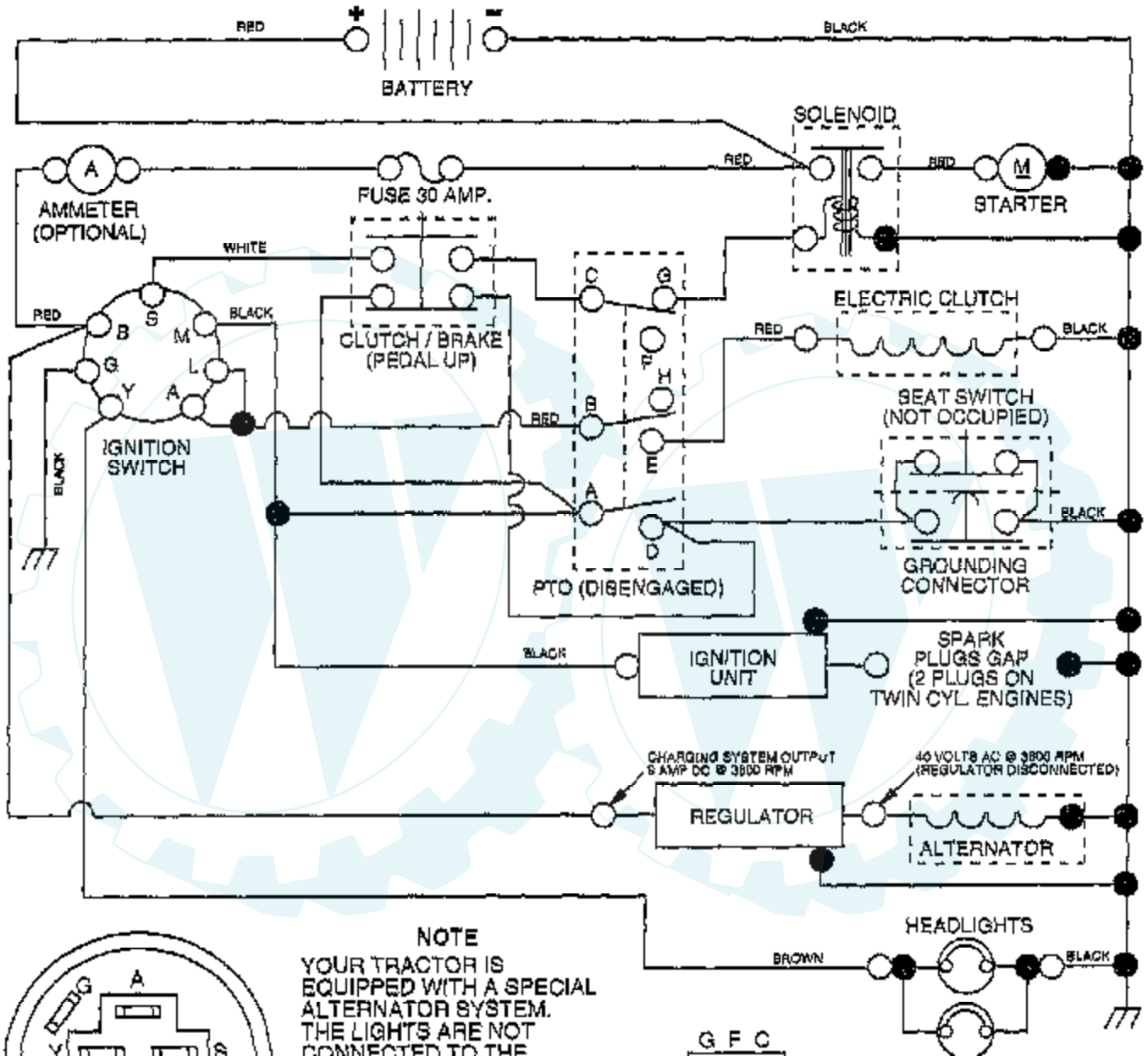
Ref #	Part Number	Qty	Description
1	156948		"MOWER ASM 46""
3	138457		BRKT.ASM.SW.44/50
5	4939M		SUB= 85902
6	130832		SUB= 130833
8	850857		BLADE BOLT
9	10030600		SUB= 10040600
10	140296		WASHER.HARD.BLADE
11	157353		SUB= 159705
12	129895		BEARING.BALL
13	137553		SHAFT.ASM.W/BRNG
14	137152		HOUSING.MAND.44.V
15	110485X		BEARING
16	140329		STRIPPER RND MWR
18	72140505		BOLT
19	132827		BOLT SHD 5/16-18
20	145055		BAFFLE.VORTEX.46
21	73680500		SUB= 73690500
22	134753		STIFFENER BRKT
23	131267		DEFLECTOR BRKT
24	105304X		CAP-SLEEVE LT
25	123713X		SPRING TORSION
26			CHECK WITH SUPPLIER
27	157788		SHIELD DEFLECTOR
28	19111016		WASHER
29	131491		HINGE ROD
30			CHECK WITH SUPPLIER
31	129963		WASHER
32	153531		PULLEY.MAND.36/46
33	137266		SUB= 139729
34	144945		ANCHOR.SPRING.46
35	17490628		SCREW LT
36	19131316		WASHER
37	131494		FLAT IDLER PULLEY
38	156086		"KEEPER BELT,IDLER"
39	144917		PULLEY.DRV.DCK.46
40	137273		"SPRING.SEC.44""VEN"
41	17490620		SCREW
42	122052X		SPACER RETAINER
43	144949		ARM.IDLER.DECK.46
44	133943		HARDENED WASHER
45	145059		COVER.MANDREL.46
46	137729		SCREW.1/4-20X5/8
47	144959		BELT-V.SEC.46.KEL
48	139573		BELT V PRIM 50
49	73680600		SUB= 73690600
50	72110612		BOLT.3/8-16X1.50
51	153390		WASHER.FELT.
52	156493		"PULLEY IDLER,FLAT"
72	19131616		WASHER HYT
90	74760616		BOLT
91	132274 {91}		
92	73800600		NUT
93	19171416		WASHER
94	132264		SUB= 532132264
95	132273		SUB= 532132273
116	137644		BOLT.SHOULDER
117	133957		WHEEL GAGE DONUT
118	73930600		LOCKNUT

Ref #	Part Number	Qty	Description
119	19121414		WASHER
126	144948		ARM.IDLER.PRIM.46
127	146763		PULLEY.IDLER.4.25
	143651		MANDREL SERV ASM
	157251		MOWER SERV DECK46



TRACTOR - - MODEL NUMBER YP1946A

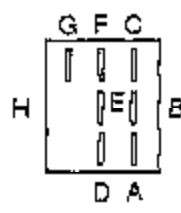
SCHEMATIC



IGNITION SWITCH

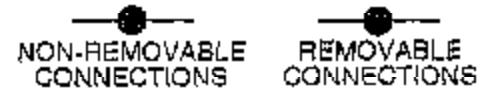
POSITION	CIRCUIT	"MAKE"
OFF	G + M + L	NONE
RUN/LIGHT	B + L	A + Y
RUN	B + L	NONE
START	B + L + S	NONE

NOTE
YOUR TRACTOR IS EQUIPPED WITH A SPECIAL ALTERNATOR SYSTEM. THE LIGHTS ARE NOT CONNECTED TO THE BATTERY, BUT HAVE THEIR OWN ELECTRICAL SOURCE. BECAUSE OF THIS, THE BRIGHTNESS OF THE LIGHTS WILL CHANGE WITH ENGINE SPEED. AT IDLE THE LIGHTS WILL DIM. AS THE ENGINE IS SPEEDED UP, THE LIGHTS WILL BECOME THEIR BRIGHTEST.



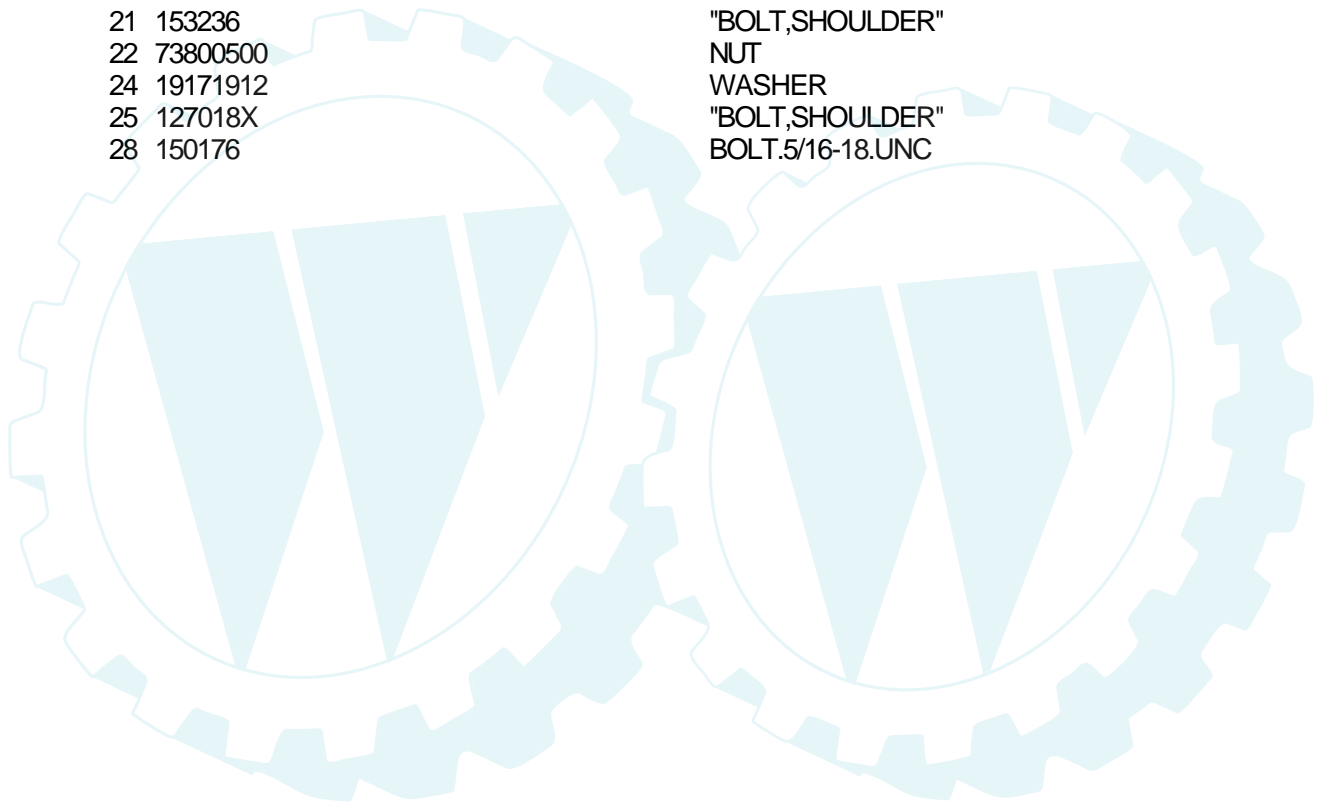
PTO SWITCH

POSITION	CIRCUIT
OFF	C + G, B + H
DN	C + F, B + E, A + D



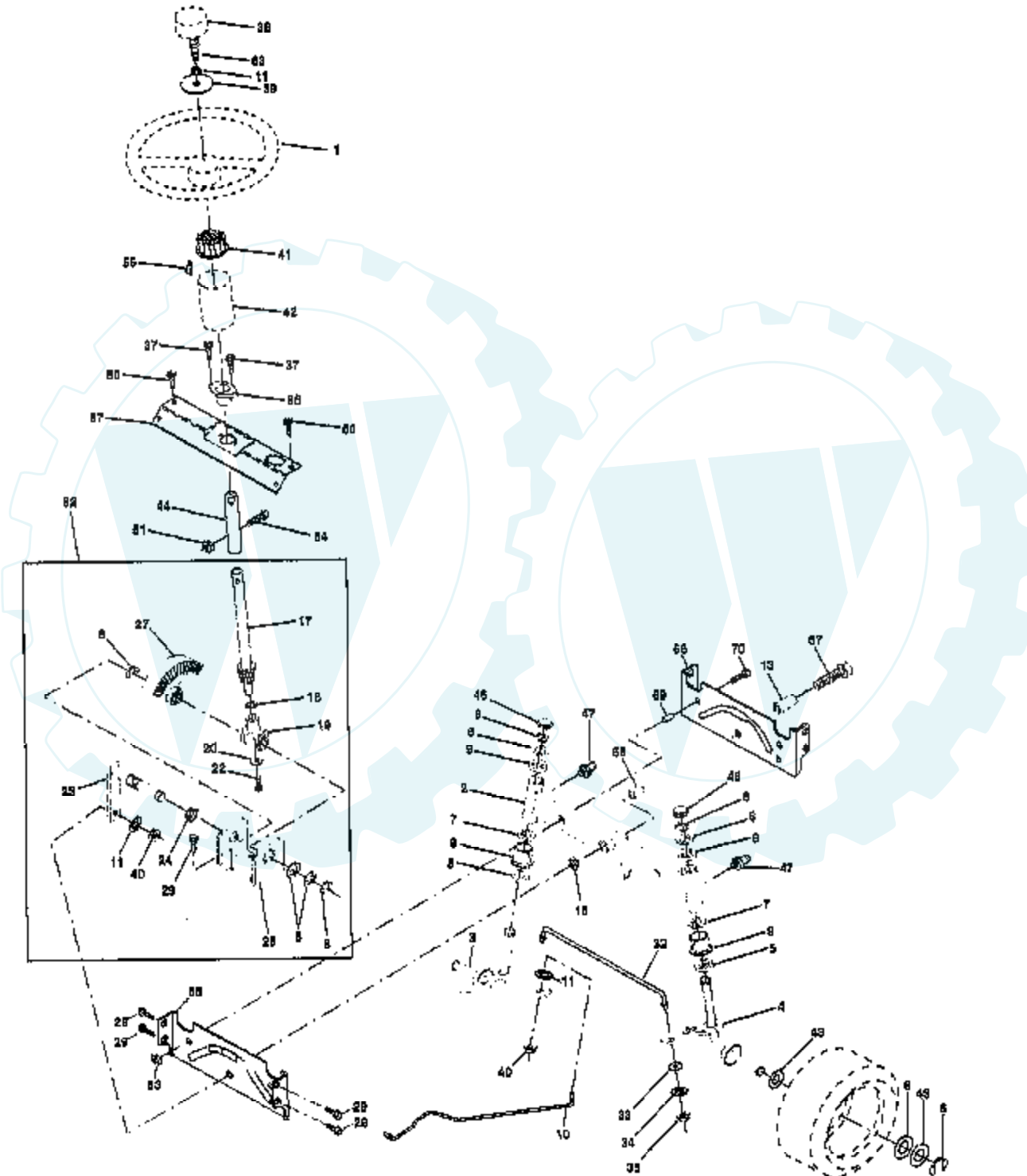
WIRING INSULATED CLIPS
NOTE: IF WIRING INSULATED CLIPS WERE REMOVED FOR SERVICING OF UNIT, THEY SHOULD BE REPLACED TO PROPERLY SECURE YOUR WIRING.

Ref #	Part Number	Qty	Description
1	140118		SEAT.2500/1516.BK
2	140551		BRACKET PVT SEAT
5	145006		CLIP.PUSH-IN.HING
6	73800600		NUT
7	124181X		SPRING COMPRESSIO
10	155925		PAN-SEAT
11	120068X		"KNOB 1/2"" YT"
12	121246X		BRKT SWITCH
13	121248X		BUSHING
14	72050411		SUB= 872050411
15	121249X		SPACER SPLIT
16	123740X		SPRING COMPRESSED
17	123976X		SUB= 73900400
18	124238X		CAP SPRING
21	153236		"BOLT,SHOULDER"
22	73800500		NUT
24	19171912		WASHER
25	127018X		"BOLT,SHOULDER"
28	150176		BOLT.5/16-18.UNC



TRACTOR -- MODEL NUMBER YP1946A

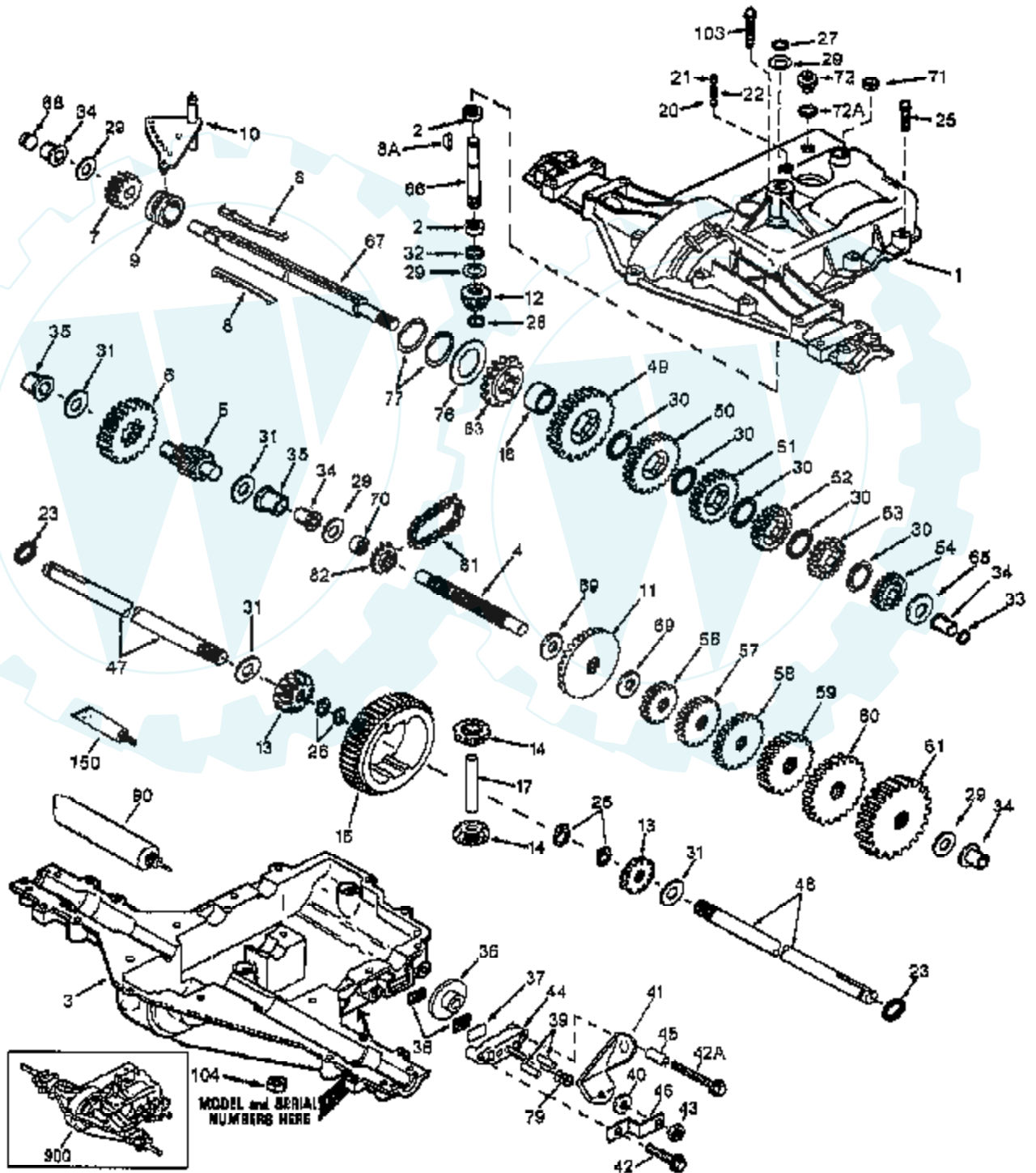
STEERING ASSEMBLY



Ref #	Part Number	Qty	Description
1	121472X		SUB= 150546
2	154427		AXLE ASM
3	156483		SPINDLE.ASM.LH
4	157473		"SPINDLE ASM,RH"
5	6266H		WASHER .T
6	121748X		WASHER
7	19272016		WASHER
8	12000029		RING
9	3366R		COL. SRTG. BEAR.
10	156438		DRAGLINK-STAMPED
11	10040600		LOCKWASHER
13	154779		BEARING AXLE
15	73901000		"NUT-LOC,FLANGE LT"
17	156546		SHAFT ASM STEERIN
18	57079		THRUST WASHER
19	124035X		SUPPORT.SHAFT
20	126684X		SUB= 532126684
22	71200410		SCREW HEX SOC1/4-
23	127501		SUB= 918127501
25	154406		BRKT-STEERING
27	136874		GEAR SECTOR
29	17490612		SCREW
32	139929		ROD.TIE.19.75
33	19111216		WASHER M
34	10040500		LOCKWASHER
35	73810500		NUT.LOCK.5/16-24
36	155104		BUSHING.STR.623
37	152927		"SCREW-TT,10-32 FL"
38	126805X		"INSERT,STR WHEEL"
39	19133808		WASHER T
40	7810H		GRIPCO NUT
41	100711L		ADAPTER LT
42	140216		BOOT SHAFT STEER
43	121749X		WASHER
44	153721		SHAFT EXT STEERIN
46	121232X		CAP
47	6855M		ZERK M
50	17490412		SCREW HEX CRT
51	73800500		NUT
53	73680600		SUB= 73690600
54	74780520		BOLT
55	140285		CLIP TINNEMAN
57	140172		SUPPORT SHAFT STR
62	156594		KIT STEERING ASM
63	74780616		BOLT
65	154780		SPACER AXLE
66	154404		"BEARING-ARM,PITMA"
67	74781044		BOLT
68	154429		BRACE AXLE
69	160367		"SPACER BRCAE,AXLE"
70	74780636		BOLT.HEX.3/8-16X2

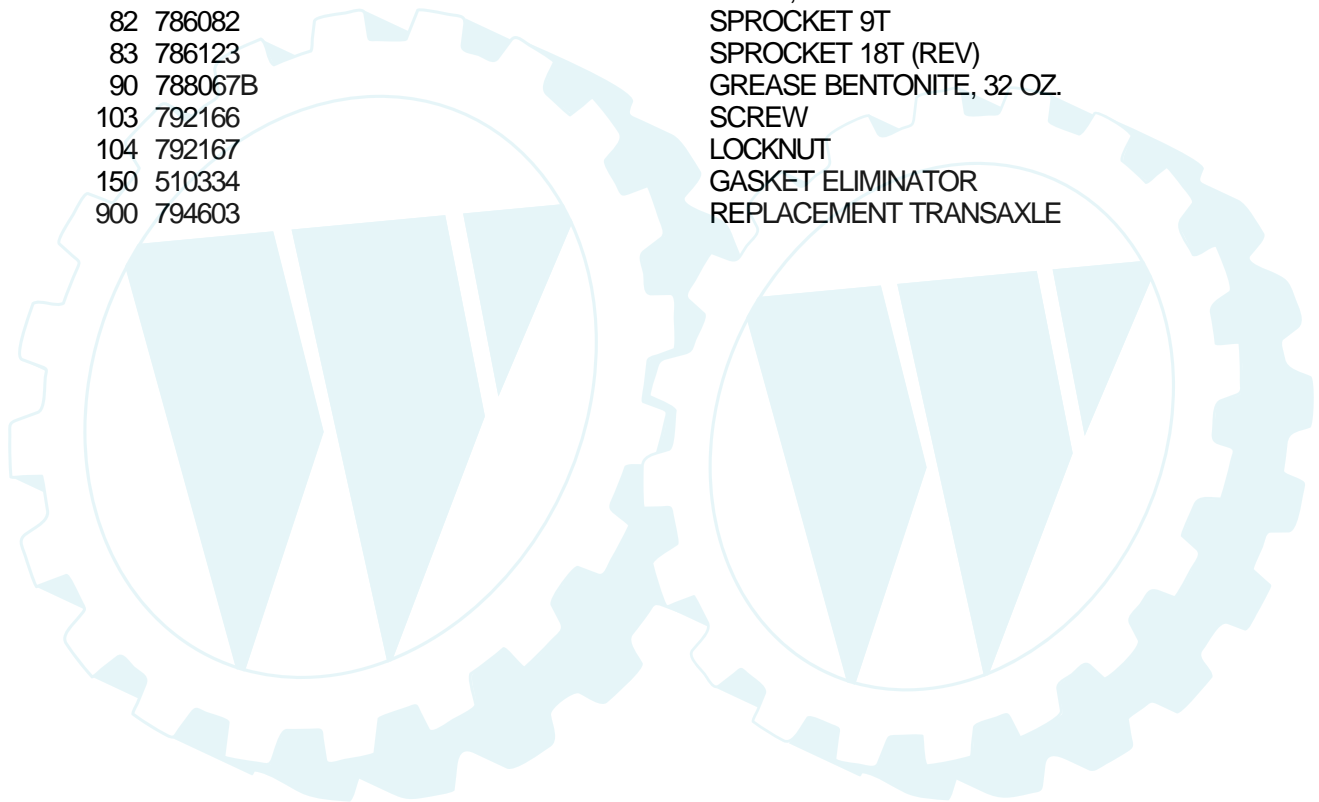
TRACTOR - - MODEL NUMBER YP1946A TRANSAXLE PEERLESS - MODEL NUMBER 930-055A

TRANSAXLE



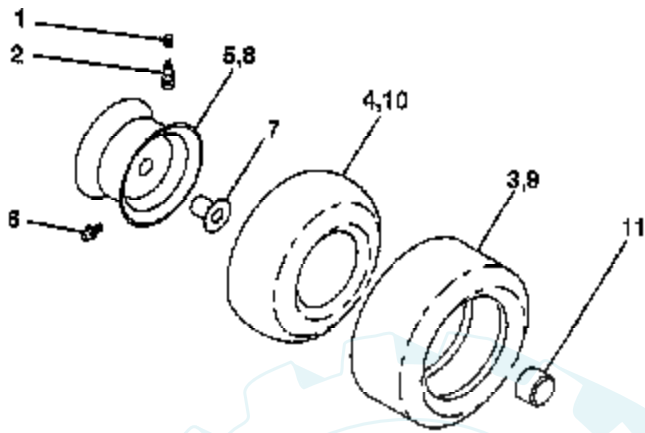
Ref #	Part Number	Qty	Description
1	772108A		TRANSAXLE COVER
2	780086		BEARING, NEEDLE
3	770102A		TRANSAXLE CASE
4	776260		SHAFT, COUNTER
5	776219B		OUTPUT SHAFT AND PINION
6	778139		GEAR, OUTPUT
7	778136		GEAR, SPUR, 15 TEETH
8	792136A		SHIFT KEY
8A	792047		KEY, WOODRUFF
9	784352		COLLAR, SHIFTER
10	784355		ROD & FORK ASSY, SHIFT
11	778229		GEAR, BEVEL, 42 TEETH
12	778113A		BEVEL PINION, INPUT
13	778221		GEAR, BEVEL
14	778068		GEAR, BEVEL, PINION
15	778260		GEAR, RING
17	786139		PIN, DRIVE
18	786102		SPACER, NEUTRAL
20	792077		BALL STEEL, 5/16" DIA.
21	792078		SCREW, 3/8-16 X 3/8"
22	792079		SPRING
23	788061		RING, SEAL
25	792073		SCREW, 1/4-20 X 1-1/4
26	792125		RING RETAINER
27	792035		RING, RETAINER
28	788040		RETAINING RING
29	780072		WASHER THRUST
30	780108		WASHER THRUST
31	780001		WASHER
32	792001		"O" RING
33	788095		SEAL, SQUARE CUT
34	780105A		BUSHING, FLANGED
35	780118A		BUSHING, FLANGED
36	790003		DISK, BRAKE
37	790007		PLATE BRAKE PAD
38	799021		BRAKE PAD
39	786026		PIN DOWEL
40	792076A		WASHER
41	790079		BRAKE LEVER
42	792073		SCREW, 1/4-20 X 1-1/4
42A	792085A		SCREW, 1/4-20 X 2-1/4
43	792075		LOCKNUT 5/16-24
44	790025		HOLDER BRAKE PAD
45	786066		SPACER
46	786086		BRKT BRAKE LEVER
47	774690		AXLE
48	774691		AXLE
49	778215		GEAR, SPUR, 37 TEETH
50	778125		GEAR, SPUR, 35 TEETH
51	778124A		GEAR, SPUR, 30 TEETH
52	778123A		GEAR, SPUR, 25 TEETH
53	778122A		GEAR, SPUR, 22 TEETH
54	778273		GEAR, SPUR, 19T
56	778230		GEAR, SPUR, 12 TEETH
57	778151		GEAR, SPUR, 15 TEETH
58	778126A		GEAR, SPUR, 20 TEETH
59	778127A		GEAR, SPUR, 25 TEETH
60	778128A		GEAR, SPUR, 28 TEETH

Ref #	Part Number	Qty	Description
61	778163		GEAR, SPUR, 31 TEETH
65	780109		WASHER, THRUST
66	776135		SHAFT, INPUT
67	776315A		SHAFT, BRAKE, 4 KEYED
68	786116A		PLUG
69	780051		WASHER THRUST
70	786118		SPACER
71	788069		SEAL SQUARE CUT
72	792165		THREADED PLUG 9/16-18
72A	788091		"O" RING
76	780090		WASHER, THRUST
77	788078A		INVERTED RETAINING RING
79	792144		SPRING
81	786081		CHAIN, ROLLER
82	786082		SPROCKET 9T
83	786123		SPROCKET 18T (REV)
90	788067B		GREASE BENTONITE, 32 OZ.
103	792166		SCREW
104	792167		LOCKNUT
150	510334		GASKET ELIMINATOR
900	794603		REPLACEMENT TRANSAXLE



TRACTOR - - MODEL NUMBER YP1946A

WHEELS & TIRES



NOTE: All component dimensions given in U.S. inches
1 Inch = 25.4 mm.



Ref #	Part Number	Qty	Description
1	59192		VALVE CAP
2	65139		VALVE STEM LT
3	106222X		SUB= 122073X
4	59904		TUBE.5.3/4.5/6
5	106732X427		"RIM ASM 6"" FRT"
6	278H		FITTING LT
7	9040H		"FLANGE, BEARING"
8	106108X427		"RIM AS 8"" REAR"
9	122082X		SUB= 918122082X
10	7152J		TUBE.18X9.5-8
11	104757X		HUB CAP
	144334		SEALANT.TIRE 10 OZ. TUBE

