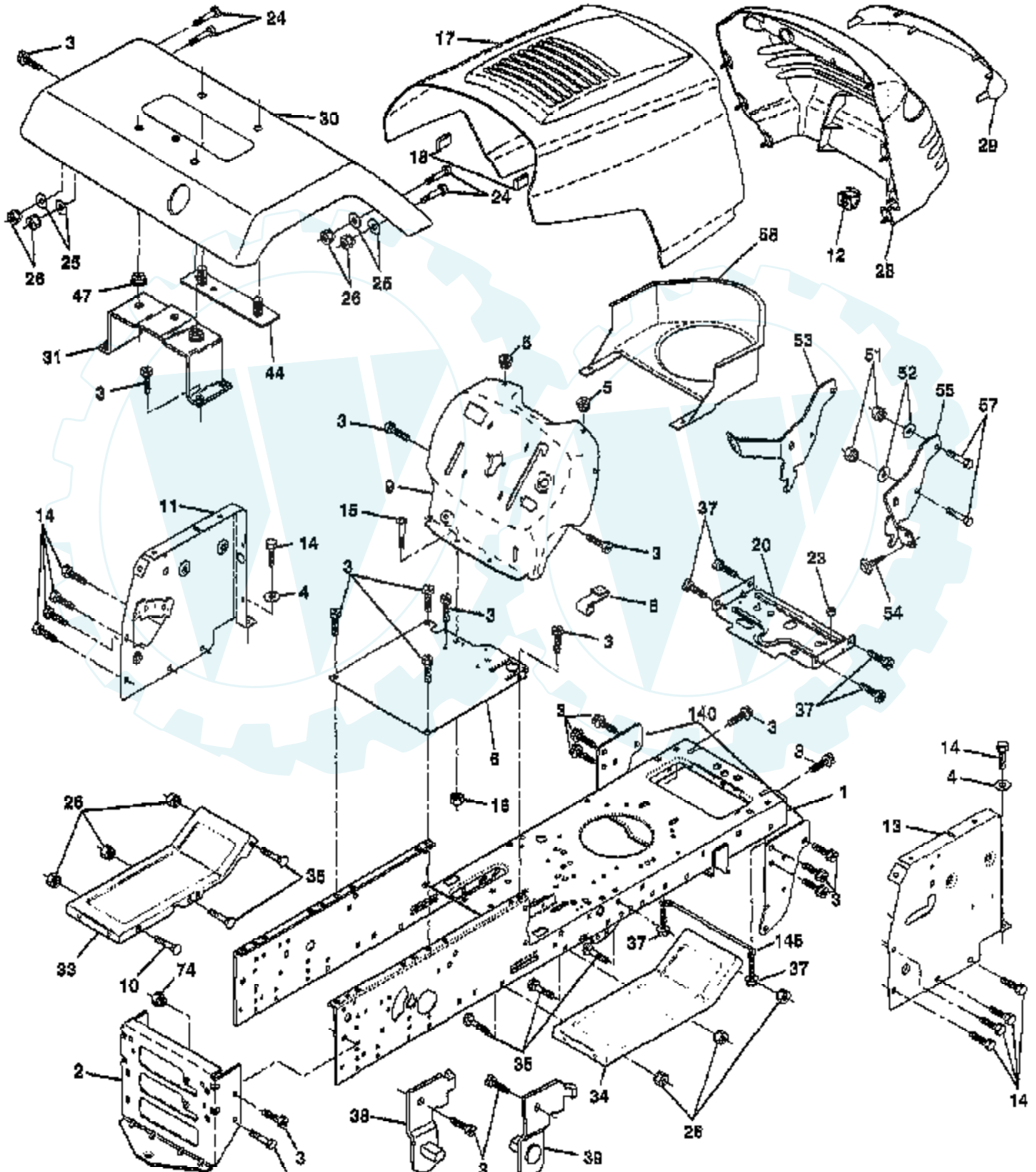


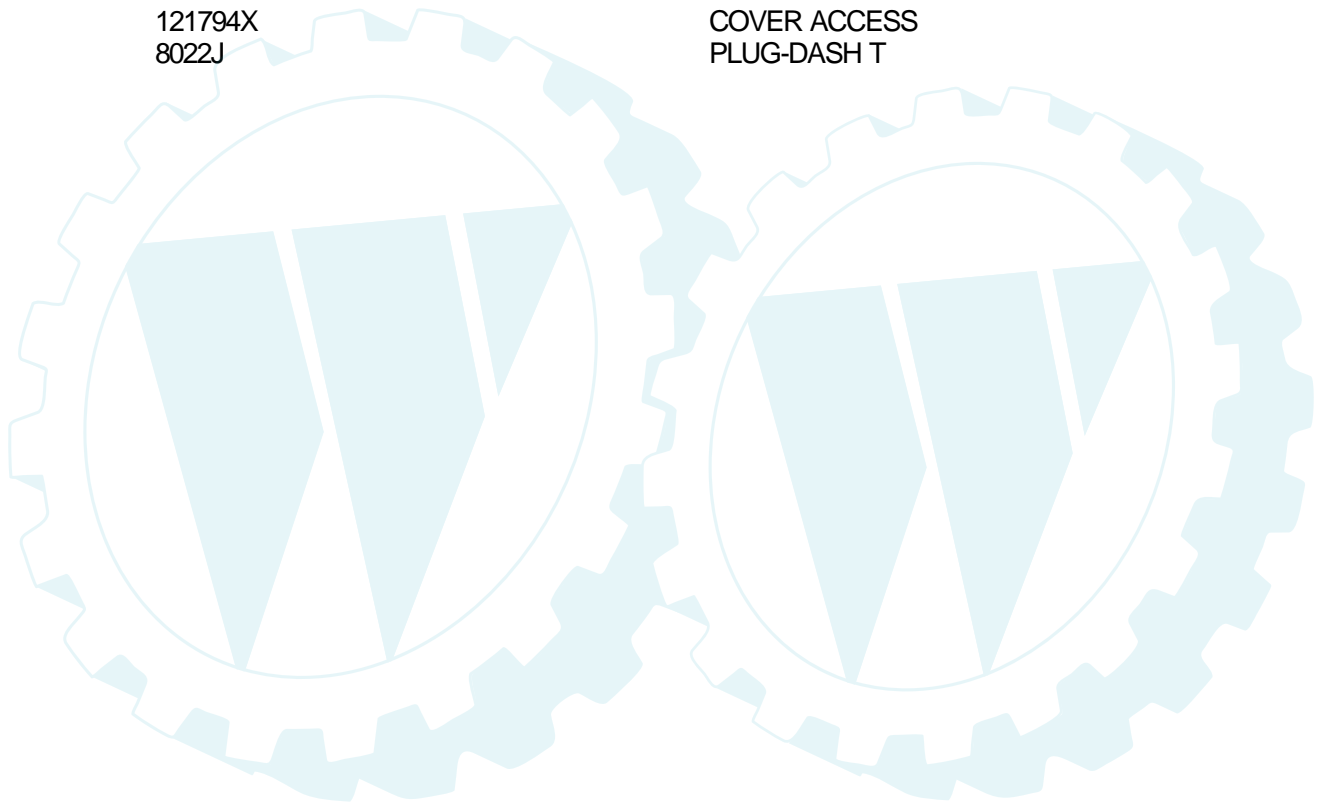
TRACTOR - - MODEL NUMBER YGTB18546A

CHASSIS AND ENCLOSURES



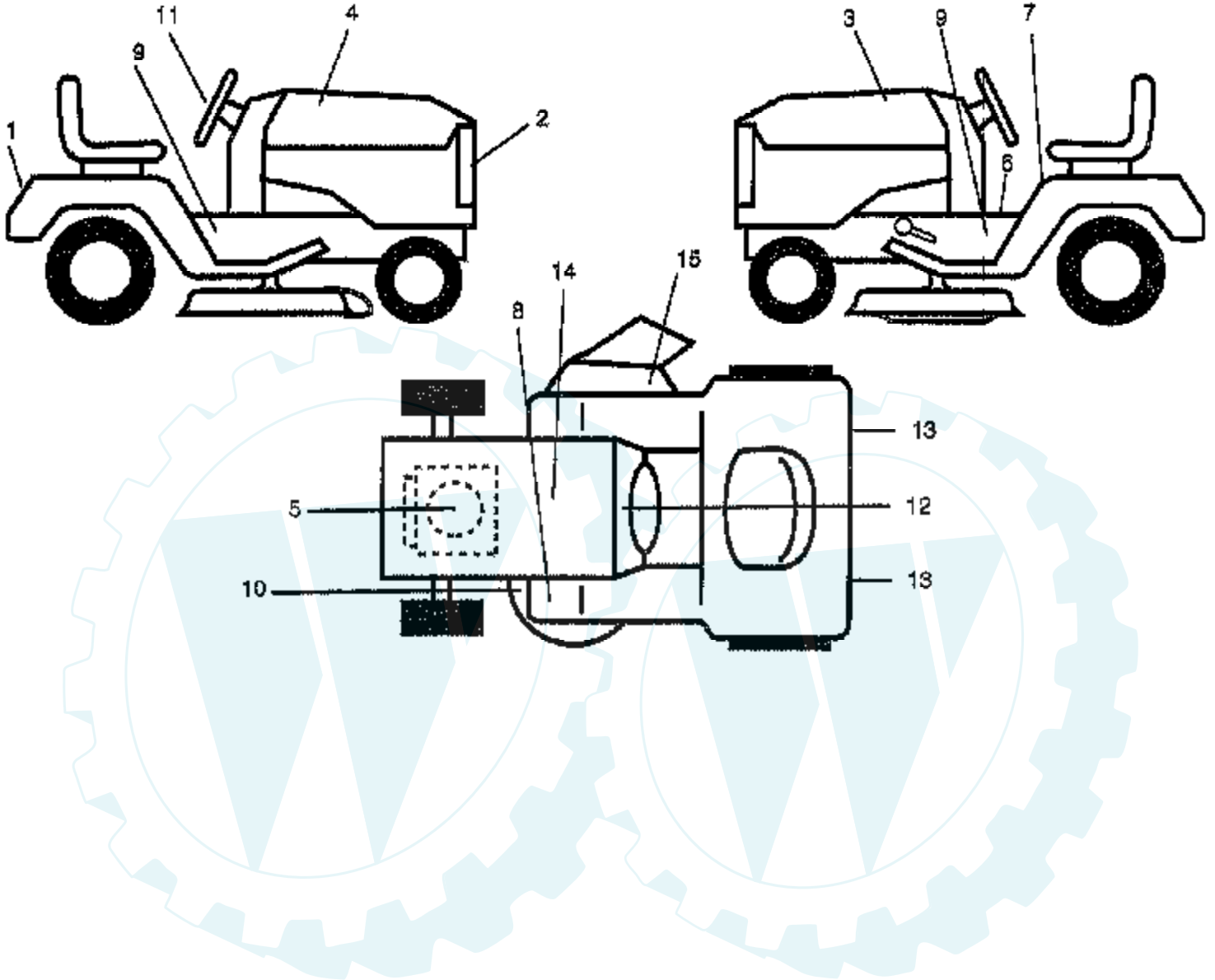
| Ref # | Part Number | Qty | Description |
|-------|-------------|-----|---------------------|
| 1 | 165480 | | CHASSIS.STAMPING |
| 2 | 140356 | | SUB= 145009 |
| 3 | 17490612 | | SCREW |
| 4 | 19131216 | | WASHER |
| 5 | 155272 | | BUMPER-HOOD/DASH |
| 6 | 155923 | | SADDLE |
| 8 | 126471X | | "CLIP,INSULATOR" |
| 9 | 154587X011 | | DASH.PANEL.ASSY |
| 10 | 72140608 | | SUB= 72110608 |
| 11 | 156682 | | PANEL ASM DASH LH |
| 12 | 145660 | | CLIP.TINNERMAN |
| 13 | 157230 | | PANEL DASH RH |
| 14 | 17490608 | | SCREW LT |
| 15 | 74180512 | | SCREW |
| 16 | 73510500 | | NUT |
| 17 | 159639X428 | | "HOOD W/TRIM,MS428" |
| 18 | 126938X | | SUB= 532126938 |
| 20 | 156347 | | "STRAP-TORQUE,RH" |
| 23 | 124028X | | SUB= 532124028 |
| 24 | 74780616 | | BOLT |
| 25 | 19131312 | | WASHER |
| 26 | 73800600 | | NUT |
| 28 | 157428 | | GRILL |
| 29 | 146654X599 | | GRILLE.LENS |
| 30 | 140002X428 | | "FENDER WS,FTK" |
| 31 | 137113 | | BRKT.ASM.FENDER |
| 33 | 145244X428 | | FOOTREST PNT LH |
| 34 | 145243X428 | | FOOTREST.RH.LT/GT |
| 35 | 72110606 | | BOLT |
| 36 | 108067X | | PAL NUT LT |
| 37 | 17490508 | | SCREW LT |
| 38 | 139886 | | BRACKET ASM LH |
| 39 | 139887 | | BRACKET ASM RH |
| 43 | 17490612 | | SCREW |
| 44 | 140675 | | STRAP ASM FENDER |
| 45 | 147717 | | BEZEL.ASM. |
| 47 | 105531X | | NUT-PUSH YT |
| 50 | 145205 | | DASH.SUPT.YP/HUSQ |
| 51 | 73800400 | | NUT |
| 52 | 19091416 | | WASHER |
| 53 | 144697 | | BRACKET.GRILLE.LH |
| 54 | 161464 | | SCREW.HEX.WS.HD |
| 55 | 144696 | | BRACKET.GRILLE.RH |
| 56 | 150271 | | EXT DASH LTYT |
| 57 | 74780412 | | SUB= 74780414 |
| 58 | 140547 | | DUCT.AIR.B&S.18HP |
| 59 | 110436X | | SUB= 9151R |
| 64 | 150272 | | DASH.LOWER.LT |
| 66 | 156286X010 | | "PLATE DASH,SLKSCR" |
| 67 | 19111116 | | WASHER |
| 72 | 144916X428 | | STRAP-GRILLE |
| 74 | 73680600 | | SUB= 73690600 |
| 77 | 74191008 | | SCREW |
| 79 | 2029J | | WELDNUT |
| 80 | 109808X | | HOOD LATCH T |
| 82 | 74981020 | | SCREW |
| 83 | 7206J | | SPACER.LT |
| 85 | 73731000 | | NUT |

| Ref # | Part Number | Qty | Description |
|-------|-------------|-----|---------------------|
| 86 | 150303X428 | | "PANEL ASM SIDE,RH" |
| 87 | 150302X428 | | "PANEL ASM-SIDE,LH" |
| 90 | 19091216 | | WASHER PM |
| 91 | 73220400 | | SUB= 50675 |
| 92 | 10040400 | | LOCKWASHER |
| 108 | 74760612 | | SUB= 74780612 |
| 135 | 74291006 | | SCREW.10-24X3/8. |
| 136 | 60867 | | ACORN NUT RB |
| 137 | 110356X | | SNAP CAP LT |
| 138 | 110357X | | WASHER LT |
| 139 | 150195 | | BKT.SPT.HOOD/PANL |
| 140 | 158418 | | BRKT SUSPENSION |
| 145 | 156524 | | "ROD POVOT,CHASSIS" |
| 152 | 17720408 | | SCREW |
| | 121794X | | COVER ACCESS |
| | 8022J | | PLUG-DASH T |

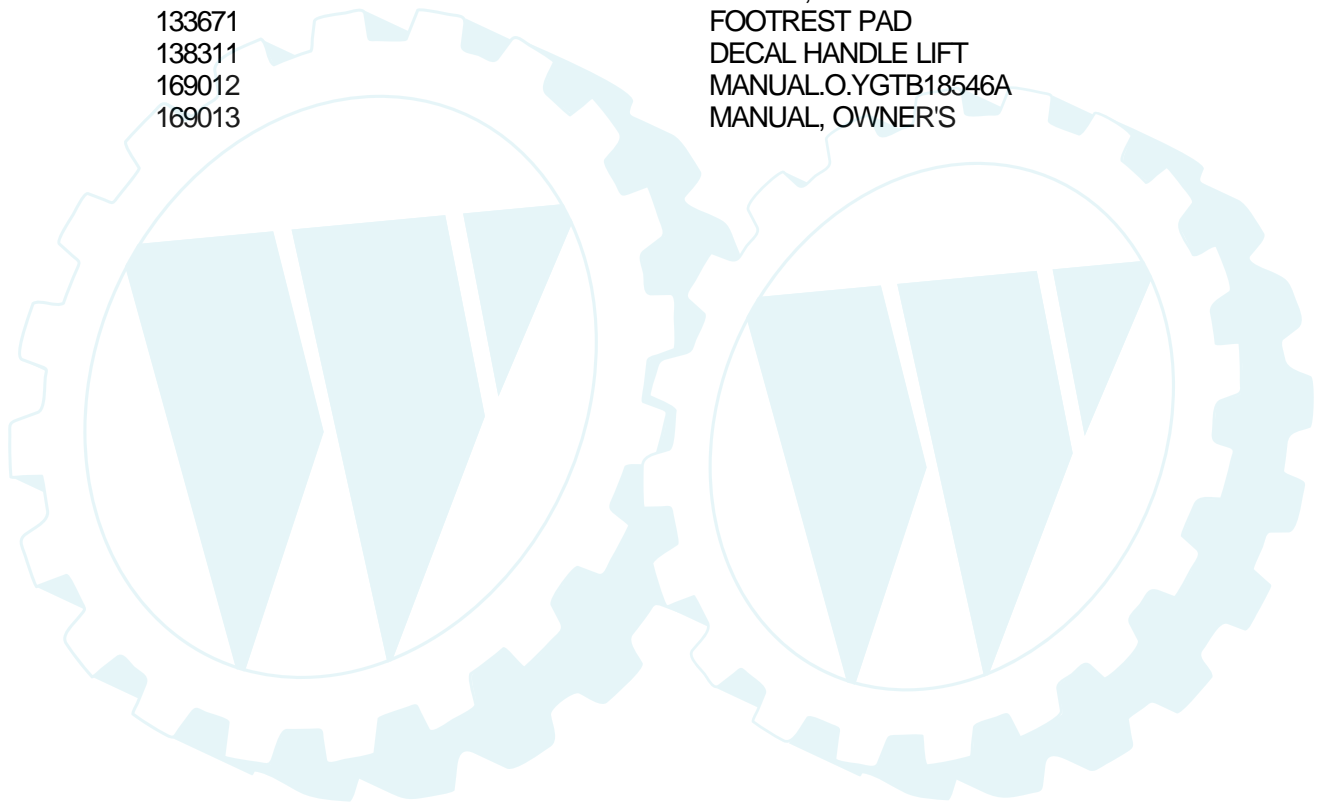


TRACTOR -- MODEL NUMBER YGTB18546A

DECALS

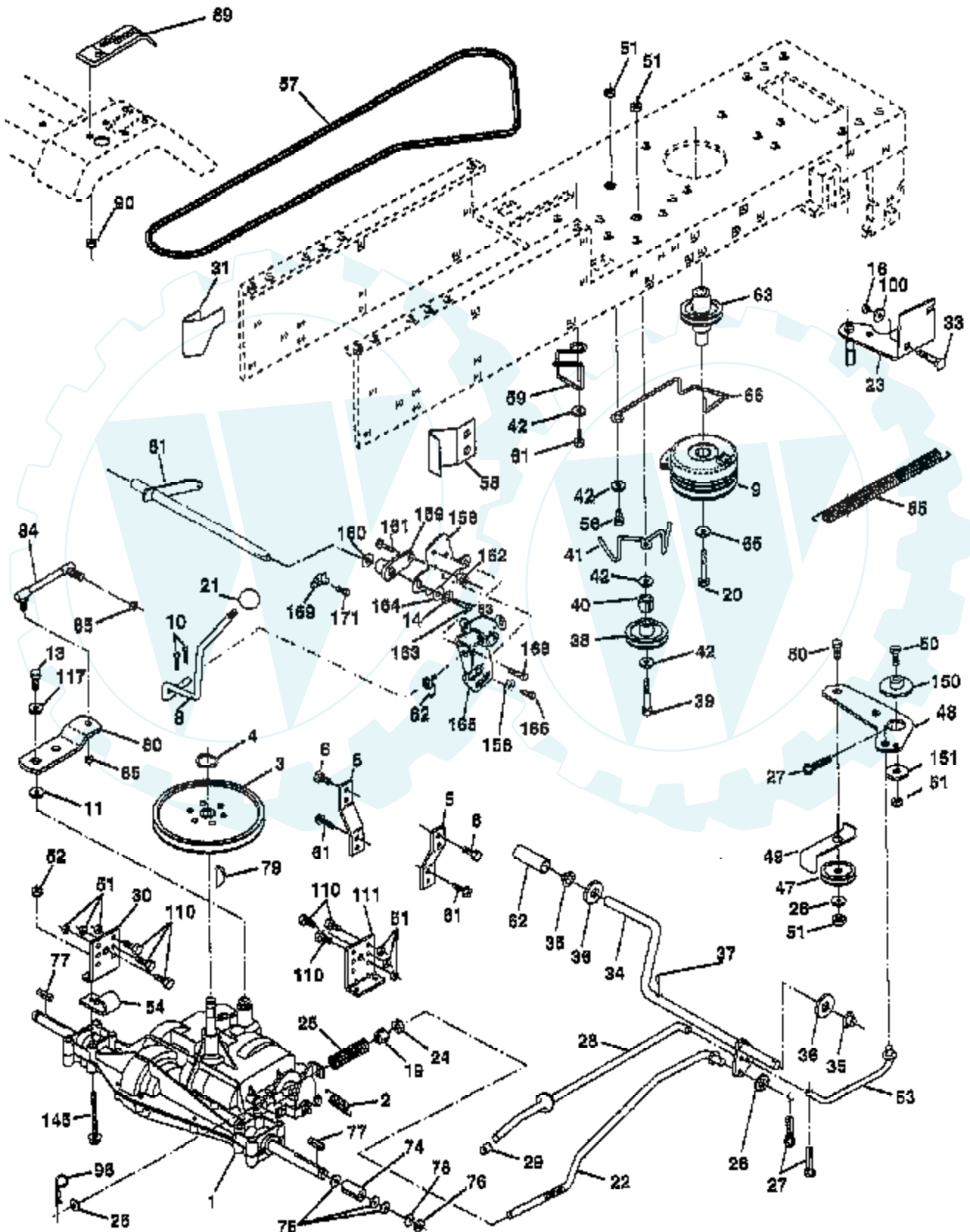


| Ref # | Part Number | Qty | Description |
|-------|-------------|-----|---------------------|
| 1 | 156412 | | DECAL FENDER |
| 2 | 159210 | | DECAL LENS |
| 3 | 159950 | | DECAL HOOD LH18.6 |
| 4 | 159947 | | DECAL HOOD RH18.5 |
| 5 | 165358 | | DECAL.HP.ENGINE |
| 6 | 157163 | | "DECAL.OPER,SDL" |
| 7 | 157140 | | DECAL.CAUT.ENG/FR |
| 8 | 101892X | | DECAL T |
| 9 | 157582 | | "DECAL CHASSIS,46"" |
| 10 | 160397 | | SUB= 532160397 |
| 11 | 159211 | | "DECAL INSERT,STRG" |
| 13 | 106202X | | REFLECTOR-TAIL YT |
| 14 | 145005 | | DECAL.BATRY.3-3908 |
| 15 | 137259 | | "DECAL, WARNING" |
| | 133671 | | FOOTREST PAD |
| | 138311 | | DECAL HANDLE LIFT |
| | 169012 | | MANUAL.O.YGTB18546A |
| | 169013 | | MANUAL, OWNER'S |



TRACTOR - - MODEL NUMBER YGTB18546A

DRIVE

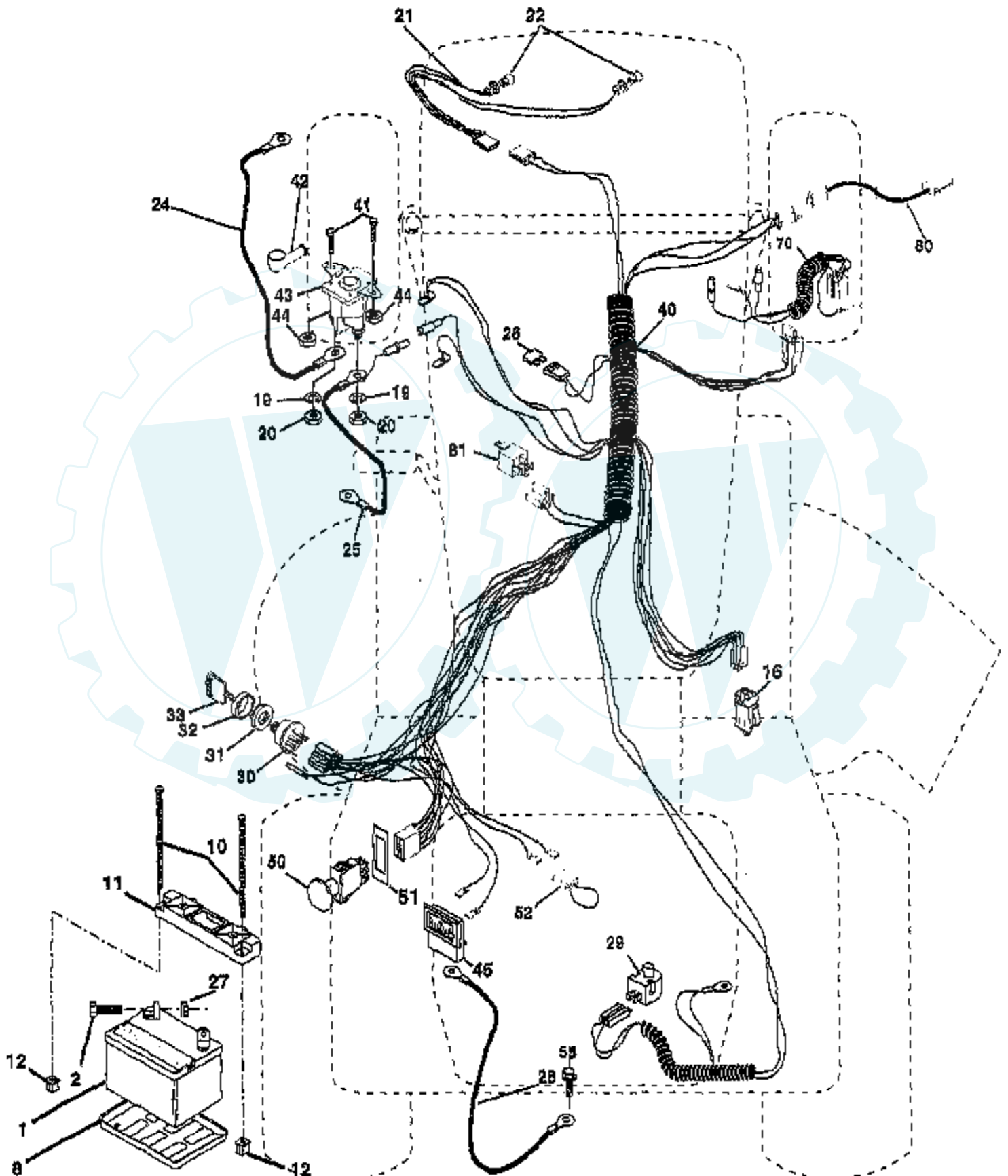


| Ref # | Part Number | Qty | Description |
|-------|-------------|-----|--------------------------|
| 1 | SUPPLIER | | CHECK WITH SUPPLIER |
| 2 | 110422X | | SUB= 146682 |
| 3 | 121327X | | PULLEY TRANSAXLE |
| 4 | 12000004 | | RING |
| 5 | 123787X | | STRAP TORQUE |
| 6 | 17490512 | | SCREW |
| 8 | 166020 | | ROD.SHIFT.FEND.ADJ.YT |
| 9 | 160889 | | CLUTCH.ELECTRIC |
| 10 | 76020416 | | PIN COTTER 1/8 |
| 11 | 105701X | | WASH-SHFT PLT LT |
| 13 | 74550412 | | BOLT.1/4-28.W/PAT |
| 14 | 10040400 | | LOCKWASHER |
| 16 | 73800500 | | NUT |
| 19 | 73800600 | | NUT |
| 20 | 150280 | | BOLT.7/16-20X4.25 |
| 21 | 121274X | | KNOB.DUCKHEAD.1/2 |
| 22 | 145340 | | ROD.ASM.BK.44.MWR |
| 23 | 154978 | | BRACKET.CLUT.MTG. |
| 24 | 73350600 | | NUT |
| 25 | 126909X | | "SPRING,ROD BRAKE" |
| 26 | 19131316 | | WASHER |
| 27 | 76020412 | | COTTER PIN |
| 28 | 145204 | | ROD.BRAKE.PARK.LT |
| 29 | 71673 | | PLUNGER CAP T |
| 30 | 123780X | | BRKT TRANS LH |
| 31 | 123791X | | KEEPER BELT LH |
| 33 | 72140506 | | BOLT |
| 34 | 155071 | | SHAFT ASM-PEDAL F |
| 35 | 120183X | | NYLON BEARING |
| 36 | 19211616 | | WASHER LT |
| 37 | 1572H | | SUB= 2882J |
| 38 | 131494 | | FLAT IDLER PULLEY |
| 39 | 74760644 | | BOLT |
| 40 | 4470J | | SPACER T |
| 41 | 165838 | | "KEEPER,BELT.IDLER FLAT" |
| 42 | 19131312 | | WASHER |
| 47 | 127783 | | SUB= 139245 |
| 48 | 154407 | | BELLCRANK.CLUTCH |
| 49 | 123205X | | RETAIN BELT |
| 50 | 74760624 | | SUB= 74930624 |
| 51 | 73680600 | | SUB= 73690600 |
| 52 | 73680500 | | SUB= 73690500 |
| 53 | 105710X | | "LINK, CLUTCH T" |
| 54 | 126471X | | "CLIP,INSULATOR" |
| 55 | 105709X | | "SPRING, RETURN LT" |
| 56 | 74760620 | | SUB= 74780620 |
| 57 | 163817 | | V-BELT.DRIVE |
| 58 | 123792X | | "KEEPER,BELT RH" |
| 59 | 140312 | | KEEPER BELT CNTSP |
| 61 | 17490612 | | SCREW |
| 62 | 123533X | | "COVER,PEDAL" |
| 63 | 145868 | | PULLEY.CLUTCH.EVX |
| 65 | 10040700 | | LOCKWASHER |
| 66 | 154778 | | KEEPER-BELT |
| 74 | 108097X | | SPACER HYT |
| 75 | 123800X | | WASHER |
| 76 | 12000053 | | E RING HYT |
| 77 | 9396E | | SQ KEY STD |

| Ref # | Part Number | Qty | Description |
|-------|-------------|-----|-----------------------------|
| 79 | 2228M | | SUB= 2228M1 |
| 80 | 123794X | | "ARM,SHIFT" |
| 81 | 165601 | | SHAFT ASM. CROSS TAPERED |
| 82 | 123782X | | "SPRING,TORSION" |
| 83 | 19171216 | | WASHER |
| 84 | 166230 | | LINK TRANSAXLE |
| 85 | 150360 | | NUT.CNT.LOCK.1/4 |
| 89 | 139992X428 | | CONSOLE.SHIFT.6SP.GTV.BLACK |
| 90 | 124346X | | NUT |
| 96 | 4497H | | RETAINER M |
| 100 | 19111216 | | WASHER M |
| 110 | 74760612 | | SUB= 74780612 |
| 111 | 123776X | | BRKT TRANS RH |
| 117 | 19091216 | | WASHER PM |
| 145 | 74490540 | | BOLT.HEX.FLGHD |
| 150 | 165850 | | BUSHING.BELLCRANK.GRD.DR |
| 151 | 19133210 | | WASHER |
| 156 | 166002 | | WASHER.SRRTD.5/16 |
| 158 | 165589 | | BRKT.SHIFT.MOUNT |
| 159 | 165494 | | HUB.SHIFT |
| 160 | 19292016 | | WASHER |
| 161 | 72140406 | | BOLT T |
| 162 | 73680400 | | SUB= 73690400 |
| 163 | 74780416 | | NLA |
| 164 | 19091010 | | WASHER.5/8X.281X10GA |
| 165 | 165623 | | BRKT.PIVOT.LEVER |
| 166 | 166880 | | SCREW.5/16-18X5/8 |
| 168 | 165492 | | BOLT.SHOULDER.5/16-18X.561 |
| 169 | 165581 | | PLATE.FASTENING |
| 171 | 17490608 | | SCREW LT |

TRACTOR - - MODEL NUMBER YGTB18546A

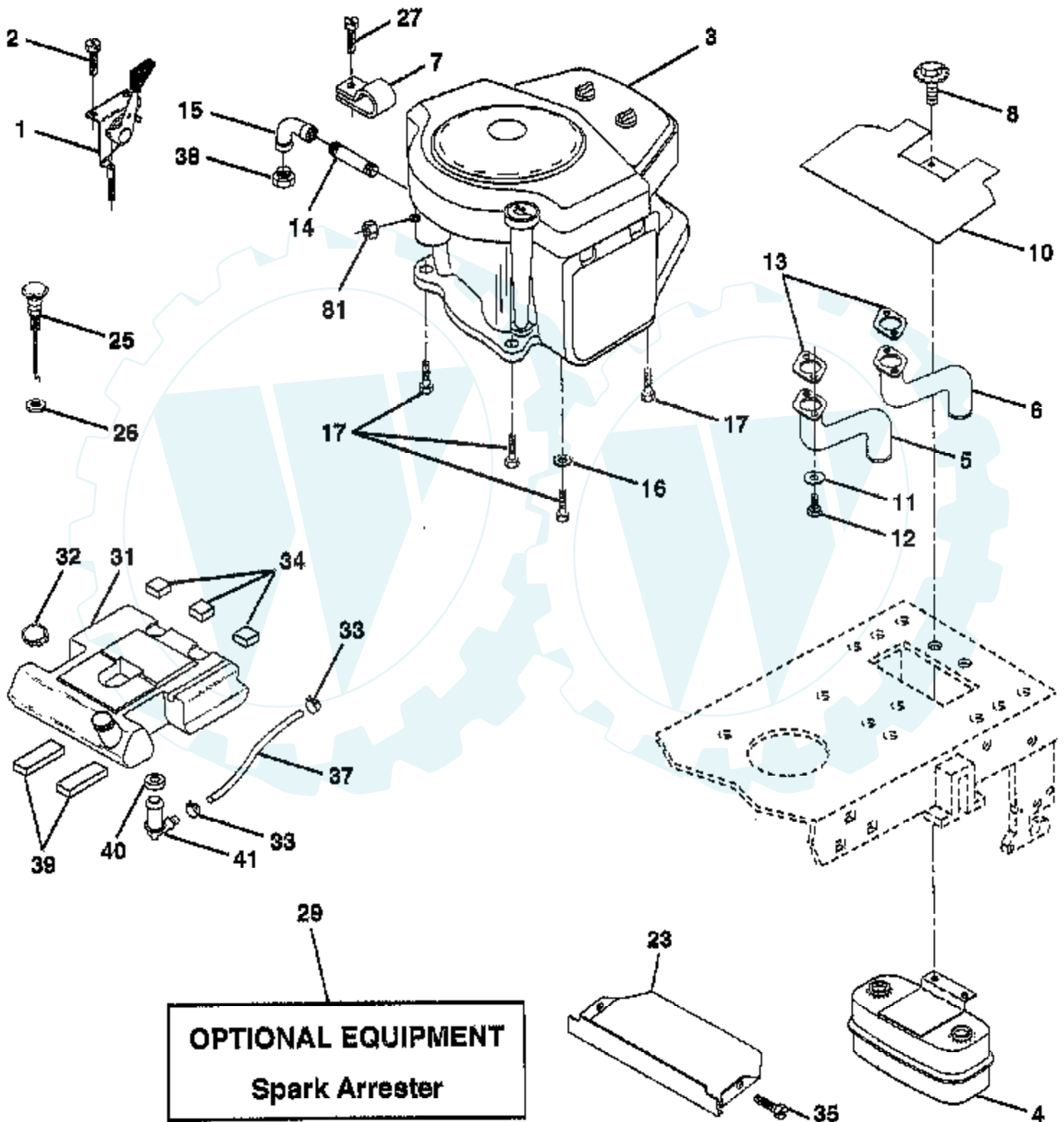
ELECTRICAL



| Ref # | Part Number | Qty | Description |
|-------|-------------|-----|--------------------------|
| 1 | 163465 | | SUB= 123899X |
| 2 | 74760412 | | BOLT LT |
| 8 | 7603J | | "TRAY T, BATTERY" |
| 10 | 145211 | | SUB= 150177 |
| 11 | 150109 | | HOLDDOWN BATTERY |
| 12 | 145769 | | SUB= 150177 |
| 16 | 153664 | | SWITCH INTERLOCK |
| 19 | 10090400 | | SUB= 10040400 |
| 20 | 73350400 | | NUT |
| 21 | 166181 | | HARNES.ASM.LIGHT W/4152J |
| 22 | 4152J | | HEADLAMP BULB |
| 24 | 4799J | | "CABLE T, BATTERY" |
| 25 | 146148 | | CABLE.6GA.22W/16W |
| 26 | 166180 | | FUSE.15 AMP |
| 27 | 73510400 | | NUT |
| 28 | 145491 | | CABLE.GRND.6GA.21 |
| 29 | 160784 | | SWITCH.PLUNGER |
| 30 | 140301 | | SWITCH IGN 4POS |
| 31 | 124211X | | NUT IGNITION |
| 32 | 141226 | | COVER KEY SWITCH |
| 33 | 122147X | | KEY |
| 40 | 166150 | | HARNES.IGNITION |
| 41 | 71110408 | | BOLT HXHD FIN |
| 42 | 131563 | | SUB= 154336 |
| 43 | 145673 | | SUB= 146154 |
| 44 | 73640400 | | NUT HXKEP 1/4X20 |
| 45 | 122822X | | AMMETER |
| 50 | 154959 | | PTO SWITCH.BLK |
| 51 | 140405 | | RING RETAIN PTO |
| 52 | 141940 | | PROTECTION LOOP |
| 55 | 17490508 | | SCREW LT |
| 70 | 166664 | | HARNES.ENGINE |
| 80 | 146685 | | HARNES.CLUT.EVX. |
| 81 | 109748X | | RELAY ASSY T |

TRACTOR - - MODEL NUMBER YGTB18546A

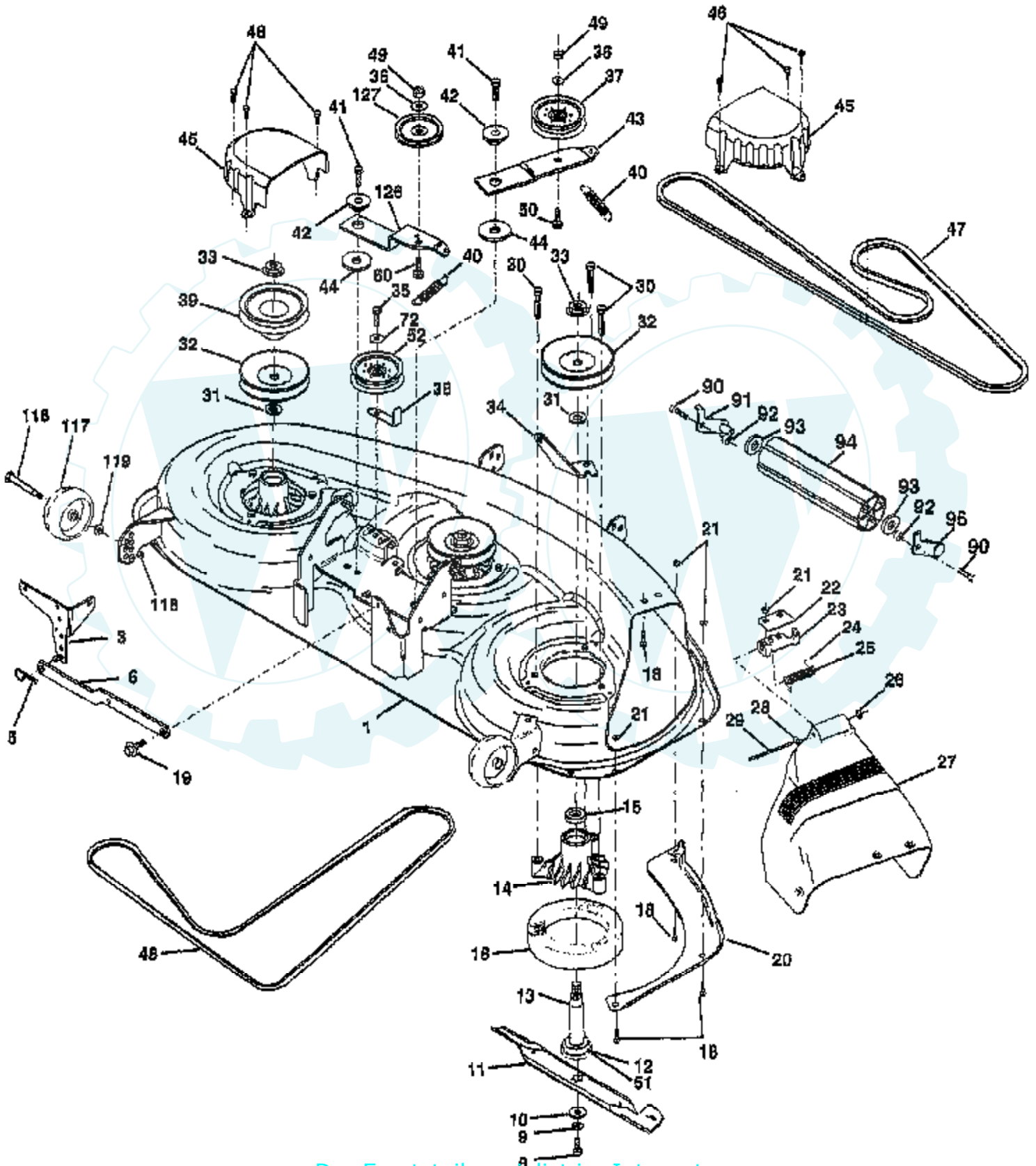
ENGINE



| Ref # | Part Number | Qty | Description |
|-------|-------------|-----|---------------------|
| 1 | 141295 | | CONTROL THRT 35.5 |
| 2 | 17720410 | | SCREW LT |
| 3 | SUPPLIER | | CHECK WITH SUPPLIER |
| 4 | 149723 | | MUFFLER.TW.LOTONE |
| 5 | 144068 | | EXHAUST.B&S.18.RH |
| 6 | 144069 | | EXHAUST.B&S.18.LH |
| 7 | 138129 | | CLAMP.TUBE.DBL.EN |
| 8 | 150176 | | BOLT.5/16-18.UNC |
| 10 | 145552 | | SHIELD.HEAT. |
| 11 | 10040400 | | LOCKWASHER |
| 12 | 74780412 | | SUB= 74780414 |
| 13 | 165287 | | GASKET MUFFLER |
| 14 | 13280336 | | PIPE NIPPLE LT |
| 15 | 13200300 | | ELBOW |
| 16 | 11050600 | | LOCKWASHER |
| 17 | 17490624 | | SCREW LT |
| 23 | 159880 | | SHIELD.BRN/DBR.GD |
| 25 | 145996 | | CONTROL.CHOKE.37 |
| 26 | 73920600 | | "NUT,KEPS 3/8-24IM" |
| 27 | 152927 | | "SCREW-TT,10-32 FL" |
| 29 | 137180 | | SUB= 532137180 |
| 31 | 151346 | | TANK FUEL REAR |
| 32 | 140527 | | CAP ASM FUEL |
| 33 | 123487X | | HOSE CLAMP |
| 34 | 106082X | | PAD-SPACER LT |
| 35 | 17490512 | | SCREW |
| 37 | 8543R | | FUEL LINE T |
| 38 | SUPPLIER | | CHECK WITH SUPPLIER |
| 39 | 109227X | | PAD IDLER TI |
| 40 | 3645J | | BUSHING OUTLET T |
| 41 | 139277 | | STEM.TANK.FUEL |
| 81 | 128861 | | NUT |

TRACTOR - - MODEL NUMBER YGTB18546A

MOWER DECK



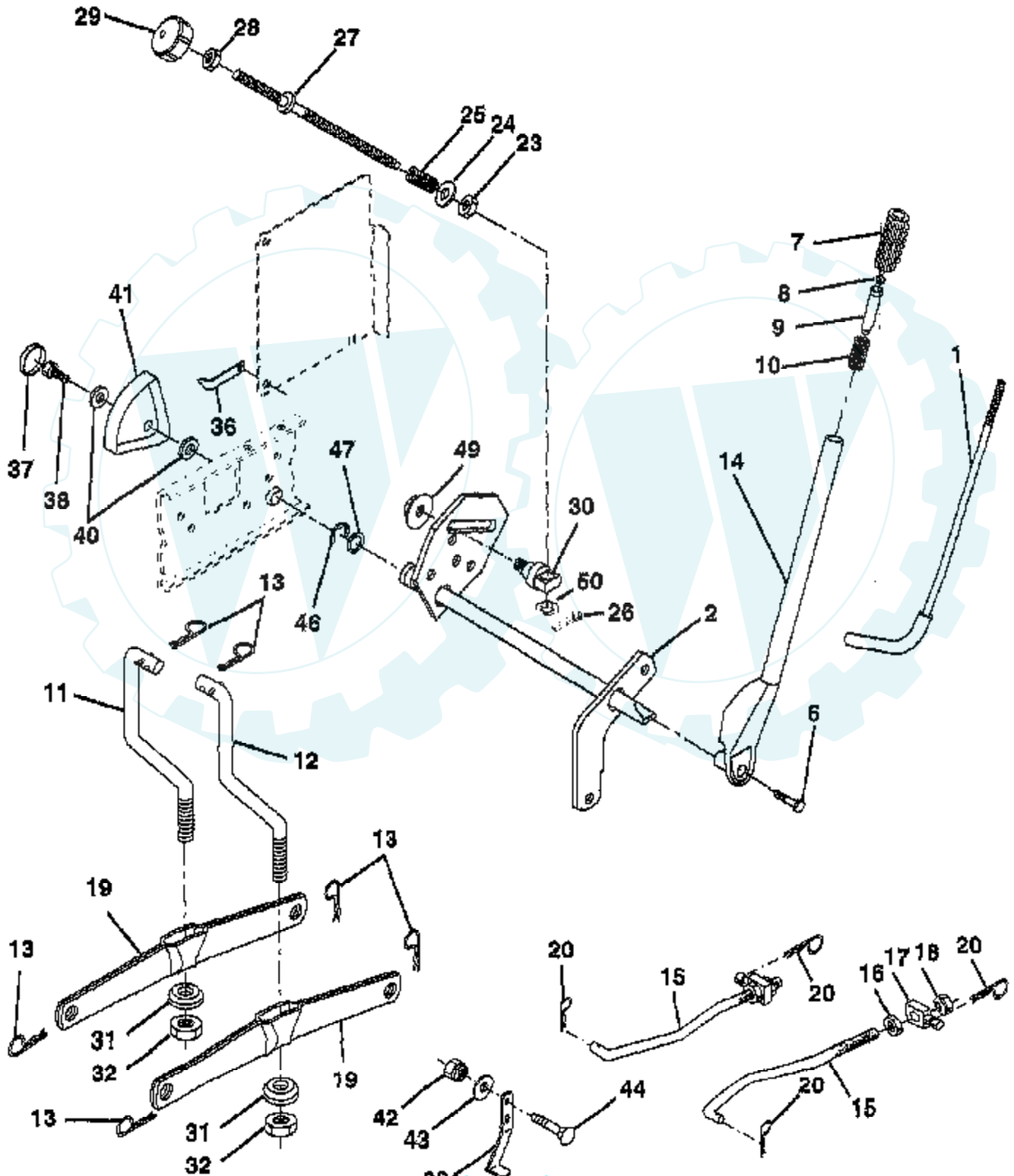
| Ref # | Part Number | Qty | Description |
|-------|-------------|-----|----------------------|
| 1 | 164210 | | "DECK.ASM.MOWER46"" |
| 3 | 138457 | | BRKT.ASM.SW.44/50 |
| 5 | 4939M | | SUB= 85902 |
| 6 | 130832 | | SUB= 130833 |
| 8 | 850857 | | BLADE BOLT |
| 9 | 10030600 | | SUB= 10040600 |
| 10 | 140296 | | WASHER.HARD.BLADE |
| 11 | 163819 | | "BLADE MULCH 46"" |
| 12 | 129895 | | BEARING.BALL |
| 13 | 137553 | | SHAFT.ASM.W/BRNG |
| 14 | 137152 | | HOUSING.MAND.44.V |
| 15 | 110485X | | BEARING |
| 16 | 140329 | | STRIPPER RND MWR |
| 18 | 72140505 | | BOLT |
| 19 | 132827 | | BOLT SHD 5/16-18 |
| 20 | 145055 | | BAFFLE.VORTEX.46 |
| 21 | 73680500 | | SUB= 73690500 |
| 22 | 134753 | | STIFFENER BRKT |
| 23 | 131267 | | DEFLECTOR BRKT |
| 24 | 105304X | | CAP-SLEEVE LT |
| 25 | 149287 | | SUB= 123713X |
| 26 | 110452X | | NUT PUSH M |
| 27 | 157788 | | SHIELD DEFLECTOR |
| 28 | 19111016 | | WASHER |
| 29 | 131491 | | HINGE ROD |
| 30 | 157722 | | "SCREW-THD ROLL,WA" |
| 31 | 129963 | | WASHER |
| 32 | 153531 | | PULLEY.MAND.36/46 |
| 33 | 137266 | | SUB= 139729 |
| 34 | 144945 | | ANCHOR.SPRING.46 |
| 35 | 17490628 | | SCREW LT |
| 36 | 19131316 | | WASHER |
| 37 | 131494 | | FLAT IDLER PULLEY |
| 38 | 156086 | | "KEEPER BELT,IDLER" |
| 39 | 144917 | | PULLEY.DRV.DCK.46 |
| 40 | 137273 | | "SPRING.SEC.44""VEN" |
| 41 | 17490620 | | SCREW |
| 42 | 122052X | | SPACER RETAINER |
| 43 | 144949 | | ARM.IDLER.DECK.46 |
| 44 | 133943 | | HARDENED WASHER |
| 45 | 145059 | | COVER.MANDREL.46 |
| 46 | 137729 | | SCREW.1/4-20X5/8 |
| 47 | 144959 | | BELT-V.SEC.46.KEL |
| 48 | 148763 | | BELT.MWR.PRM.85.4 |
| 49 | 73680600 | | SUB= 73690600 |
| 50 | 72110612 | | BOLT.3/8-16X1.50 |
| 51 | 153390 | | WASHER.FELT. |
| 52 | 156493 | | "PULLEY IDLER,FLAT" |
| 72 | 19131616 | | WASHER HYT |
| 90 | 74760616 | | BOLT |
| 91 | 132274 | | SUB= 532132274 |
| 92 | 73800600 | | NUT |
| 93 | 19171416 | | WASHER |
| 94 | 132264 | | SUB= 532132264 |
| 95 | 132273 | | SUB= 532132273 |
| 116 | 4898H | | BOLT M |
| 117 | 165746 | | WHEEL GUAGE |
| 118 | 73930600 | | LOCKNUT |

| Ref # | Part Number | Qty | Description |
|-------|-------------|-----|-------------------|
| 119 | 19121414 | | WASHER |
| 126 | 144948 | | ARM.IDLER.PRIM.46 |
| 127 | 146763 | | PULLEY.IDLER.4.25 |
| | 143651 | | MANDREL SERV ASM |
| | 166222 | | DECK COMPLETE |



TRACTOR - - MODEL NUMBER YGTB18546A

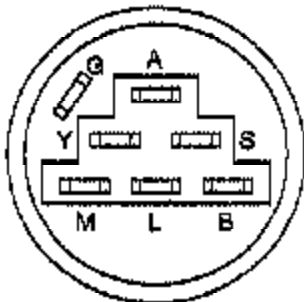
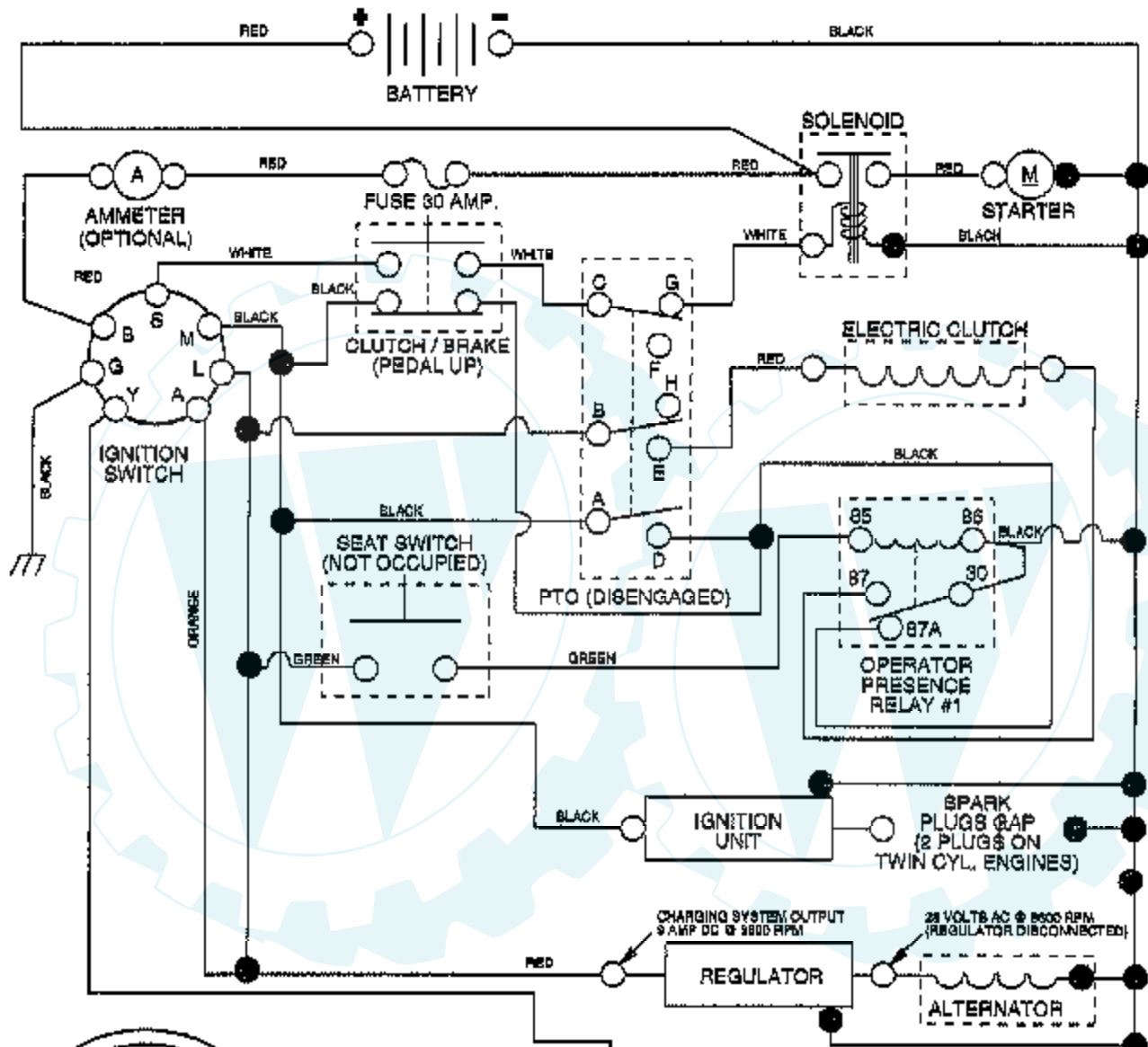
MOWER LIFT



| Ref # | Part Number | Qty | Description |
|-------|-------------|-----|--------------------------|
| 1 | 121006X | | LEVER ROD LT |
| 2 | 159188 | | LEVER ASSY LIFT.RH. |
| 6 | 74780624 | | "BOLT,HEX" |
| 7 | 125631X | | GRIP HANDLE |
| 8 | 124526X | | SUB= 125925X |
| 9 | 122364X | | SUB= 125925X |
| 10 | 2876H | | SPRING T |
| 11 | 145537 | | LINK.LIFT.LH.GTV |
| 12 | 145536 | | LINK.LIFT.RH.GTV. |
| 13 | 4939M | | SUB= 85902 |
| 14 | 159189 | | LEVER.ASM.LIFT.RH |
| 15 | 127218 | | LINK.FRONT |
| 16 | 73350800 | | NUT |
| 17 | 130171 | | TRUNION |
| 18 | 73680800 | | NUT LTV |
| 19 | 139868 | | ARM SUSP REAR |
| 20 | 163552 | | RETAINER SPRING |
| 23 | 110807X | | NUT T |
| 24 | 19131016 | | WASHER |
| 25 | 2876H | | SPRING T |
| 26 | 76020308 | | SUB= 3145 |
| 27 | 126971X | | SUB= 532126971 |
| 28 | 73350600 | | NUT |
| 29 | 138057 | | KNOB INF 3/8-16 |
| 30 | 150233 | | TRUNNION |
| 31 | 140302 | | BEARING PVT LH |
| 32 | 73540600 | | NUT.CROWNLOCK.3/8 |
| 36 | 155097X | | POINTER HEIGHT INDICATOR |
| 37 | 123935X | | "PLUG,HOLE" |
| 38 | 17490512 | | SCREW |
| 39 | 142992 | | STOP.OVER.CENTER |
| 40 | 19112410 | | WASHER |
| 41 | 123934X | | HEIGHT INDICATOR |
| 42 | 73680600 | | SUB= 73690600 |
| 43 | 19131612 | | WASHER GT |
| 44 | 72240608 | | BOLT |
| 46 | 12000022 | | E-RING |
| 47 | 19292016 | | WASHER |
| 49 | 145212 | | NUT.HXFLG.LOCK. |
| 50 | 110452X | | NUT PUSH M |

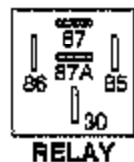
TRACTOR - - MODEL NUMBER YGTB18546A

SCHEMATIC

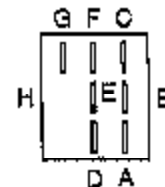


WIRING INSULATED CLIPS
NOTE: IF WIRING INSULATED CLIPS WERE REMOVED FOR SERVICING OF UNIT, THEY SHOULD BE REPLACED TO PROPERLY SECURE YOUR WIRING.

| IGNITION SWITCH | | |
|-----------------|-----------|--------|
| POSITION | CIRCUIT | "MAKE" |
| OFF | G + M + L | NONE |
| RUN/LIGHT | B + L | A + Y |
| RUN | B + L | NONE |
| START | B + L + S | NONE |



| PTO SWITCH | |
|------------|---------------------|
| POSITION | CIRCUIT |
| OFF | C + G, B + H |
| ON | G + F, B + E, A + D |



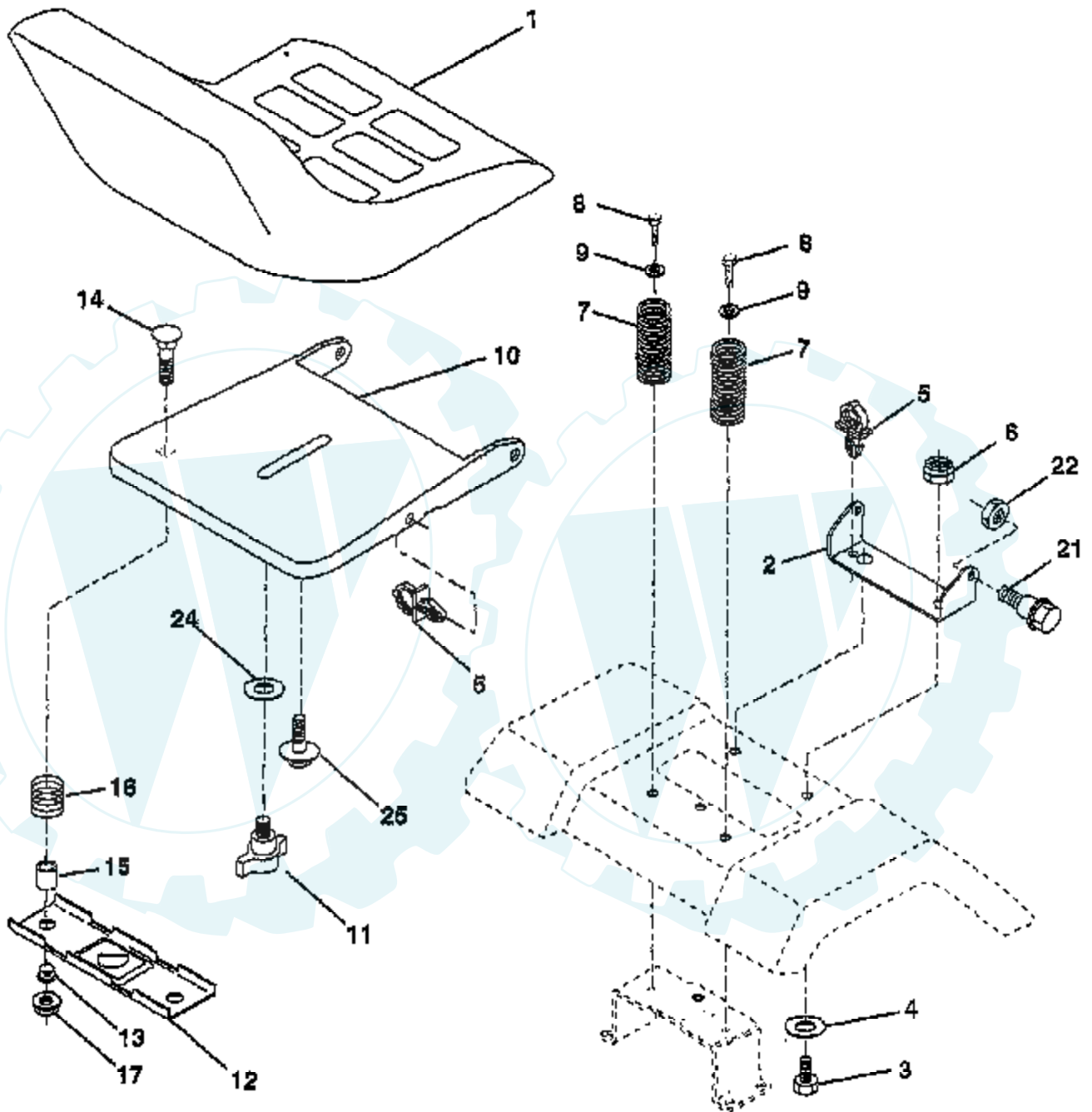
NON-REMOVABLE CONNECTIONS

REMOVABLE CONNECTIONS

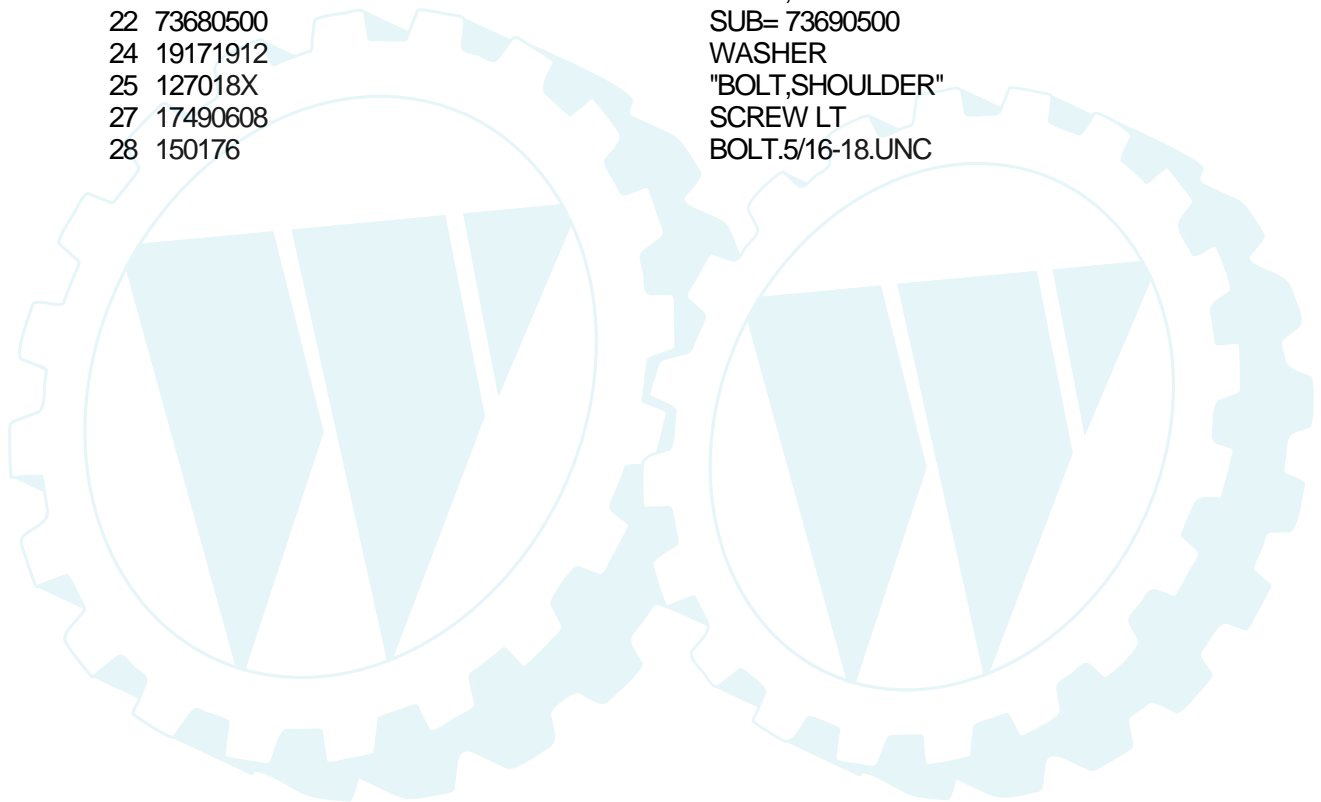
TRACTOR - - MODEL NUMBER YGTB18546A

SEAT ASSEMBLY

NOTE: All component dimensions given in U.S. Inches
1 inch = 25,4 mm

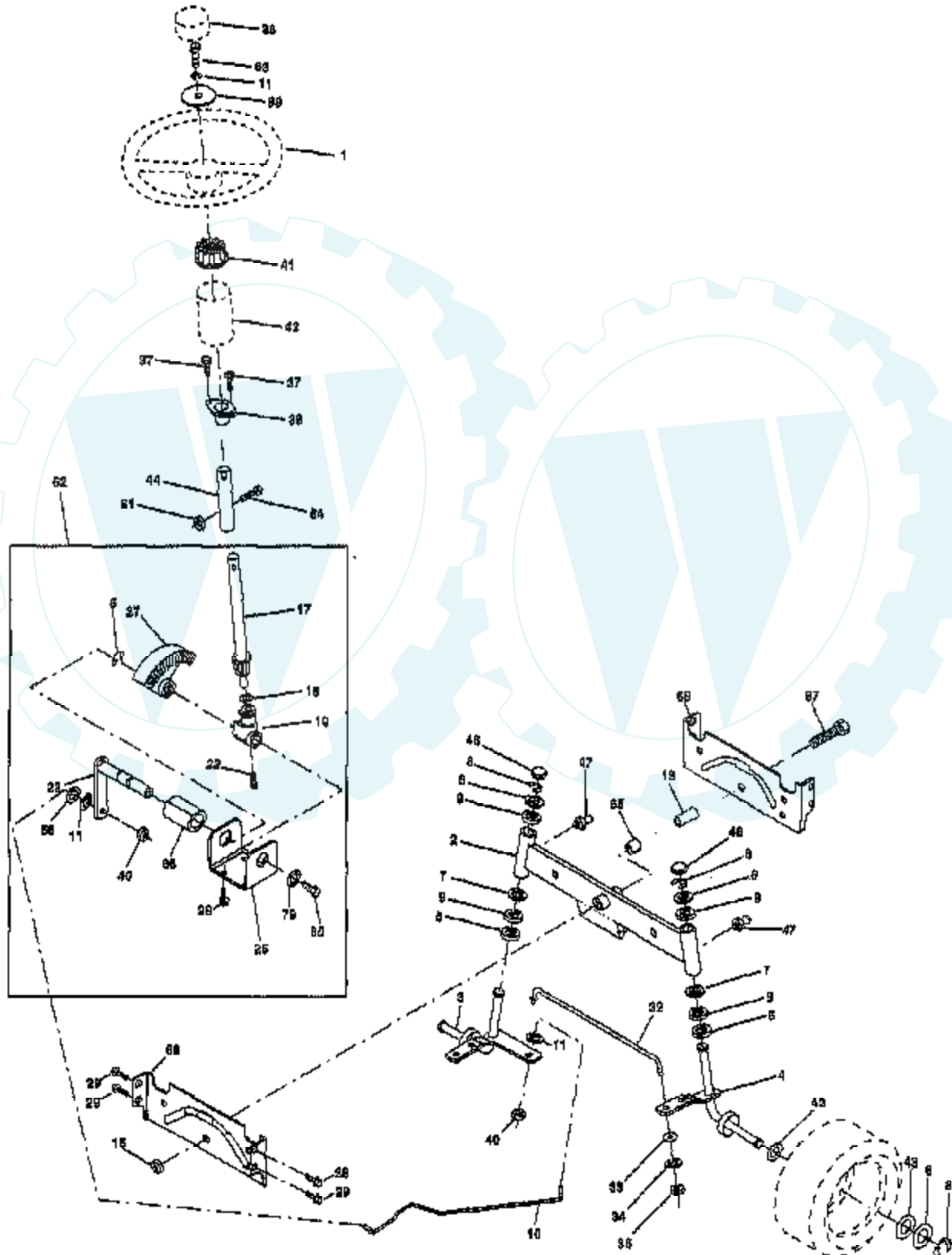


| Ref # | Part Number | Qty | Description |
|-------|-------------|-----|-----------------------|
| 1 | 140118 | | SEAT.2500/1516.BK |
| 2 | 140551 | | BRACKET PVT SEAT |
| 3 | 145006 | | CLIP.PUSH-IN.HING |
| 6 | 73800600 | | NUT |
| 7 | 124181X | | SPRING COMPRESSIO |
| 10 | 155925 | | PAN-SEAT |
| 11 | 166369 | | KNOB.SEAT.ADJ.WINGNUT |
| 12 | 121246X | | BRKT SWITCH |
| 13 | 121248X | | BUSHING |
| 14 | 72050412 | | BOLT-RD HD SQ NK |
| 15 | 121249X | | SPACER SPLIT |
| 16 | 123740X | | SPRING COMPRESSED |
| 17 | 123976X | | SUB= 73900400 |
| 21 | 153236 | | "BOLT,SHOULDER" |
| 22 | 73680500 | | SUB= 73690500 |
| 24 | 19171912 | | WASHER |
| 25 | 127018X | | "BOLT,SHOULDER" |
| 27 | 17490608 | | SCREW LT |
| 28 | 150176 | | BOLT.5/16-18.UNC |



TRACTOR - - MODEL NUMBER YGTB18546A

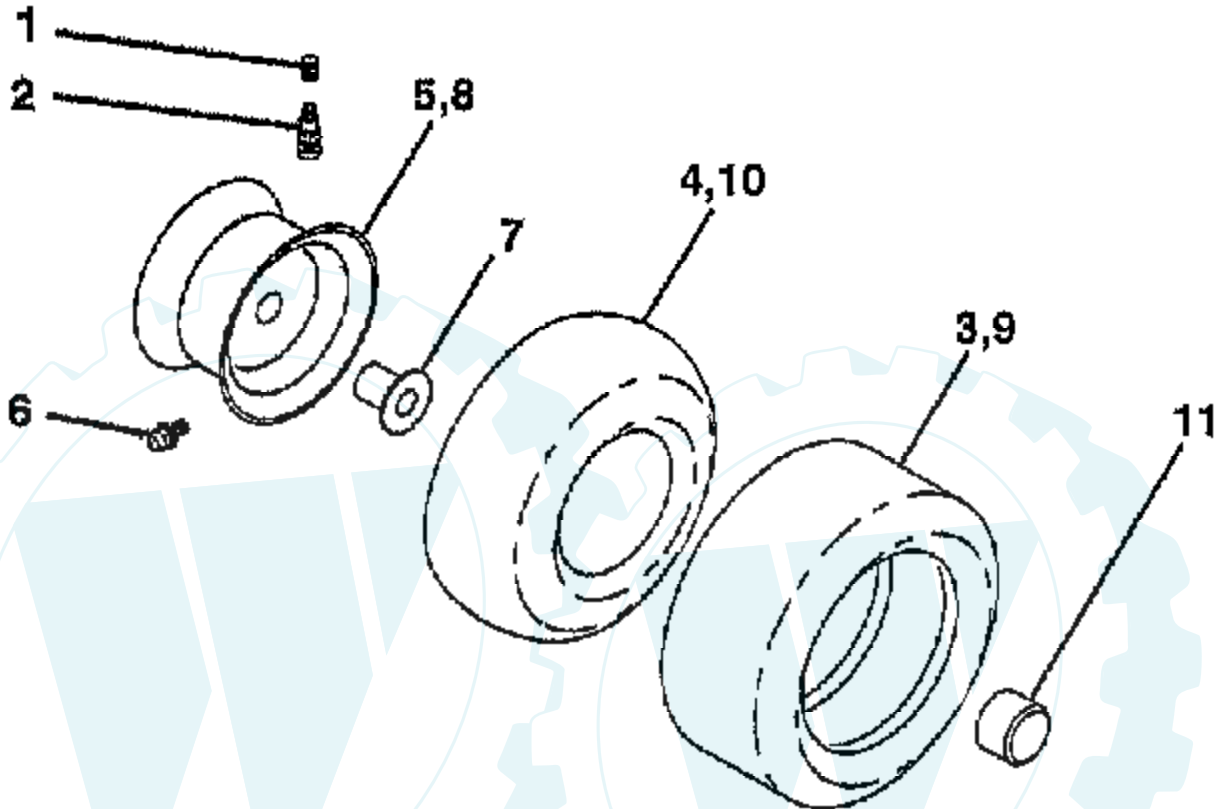
STEERING ASSEMBLY



| Ref # | Part Number | Qty | Description |
|-------|-------------|-----|------------------------|
| 1 | 140044 | | WHEEL STR AYP BLK |
| 2 | 154427 | | AXLE ASM |
| 3 | 156486 | | "SPINDLE ASM,RH" |
| 4 | 157475 | | "SPINDLE AMS,LH" |
| 5 | 6266H | | WASHER .T |
| 6 | 121748X | | WASHER |
| 8 | 12000029 | | RING |
| 9 | 3366R | | COL. SRTG. BEAR. |
| 10 | 156438 | | DRAGLINK-STAMPED |
| 11 | 10040600 | | LOCKWASHER |
| 12 | 73940800 | | SUB= 73360800 |
| 13 | 154779 | | BEARING AXLE |
| 15 | 73901000 | | "NUT-LOC,FLANGE LT" |
| 17 | 156546 | | SHAFT ASM STEERIN |
| 18 | 57079 | | THRUST WASHER |
| 19 | 160395 | | SUPPORT.SHAFT.STEER |
| 22 | 165857 | | SCREW.HX.WSH.HD |
| 23 | 165851 | | SHAFT.ASM.PITMAN |
| 25 | 154406 | | BRKT-STEERING |
| 27 | 136874 | | GEAR SECTOR |
| 29 | 17490612 | | SCREW |
| 32 | 139929 | | ROD.TIE.19.75 |
| 33 | 19111216 | | WASHER M |
| 34 | 10040500 | | LOCKWASHER |
| 35 | 73810500 | | NUT.LOCK.5/16-24 |
| 36 | 155099 | | BUSHING.STEERING |
| 37 | 152927 | | "SCREW-TT,10-32 FL" |
| 38 | 140045 | | CAP STEER AYP |
| 39 | 19133808 | | WASHER T |
| 40 | 7810H | | GRIPCO NUT |
| 41 | 100711L | | ADAPTER LT |
| 42 | 145054 | | BOOT.STEER.PL |
| 43 | 121749X | | WASHER |
| 44 | 153720 | | EXT SHAFT STEERIN |
| 46 | 121232X | | CAP |
| 47 | 6855M | | ZERK M |
| 51 | 73800500 | | NUT |
| 54 | 74780520 | | BOLT |
| 56 | 19131210 | | WASHER |
| 62 | 167902 | | KIT.STEER.ASM |
| 63 | 74780616 | | BOLT |
| 65 | 154780 | | SPACER AXLE |
| 66 | 154404 | | "BEARING-ARM,PITMA" |
| 67 | 74781044 | | BOLT |
| 68 | 154429 | | BRACE AXLE |
| 74 | 109850 | | JOINT ASM BALL |
| 75 | 109851 | | JOINT ASM BALL |
| 76 | 137156 | | SUB= 137347 |
| 77 | 73700600 | | NUT |
| 78 | 73360600 | | NUT |
| 79 | 19132012 | | WASHER |
| 80 | 74950612 | | BOLT.HX.NYLON3/8-16X3/ |

TRACTOR - - MODEL NUMBER YGTB18546A

WHEELS & TIRES



NOTE: All component dimensions given in U.S. inches
1 inch = 25.4 mm

| Ref # | Part Number | Qty | Description |
|-------|-------------|-----|--------------------------|
| 1 | 59192 | | VALVE CAP |
| 2 | 65139 | | VALVE STEM LT |
| 3 | 106230X | | SUB= 122075X |
| 4 | PARTSIMAGE | | REFER TO PARTS IMAGE |
| 5 | 106228X427 | | "RIM ASM 8" FRT" |
| 6 | 278H | | FITTING LT |
| 7 | 9040H | | "FLANGE, BEARING" |
| 8 | 124074X427 | | RIM.REAR. |
| 9 | 124106X | | SUB= 138756 |
| 10 | PARTSIMAGE | | REFER TO PARTS IMAGE |
| 10 | 7154J | | TUBE.23X8/10-12 |
| 11 | 104757X | | HUB CAP |
| | 144334 | | SEALANT.TIRE 10 OZ. TUBE |

