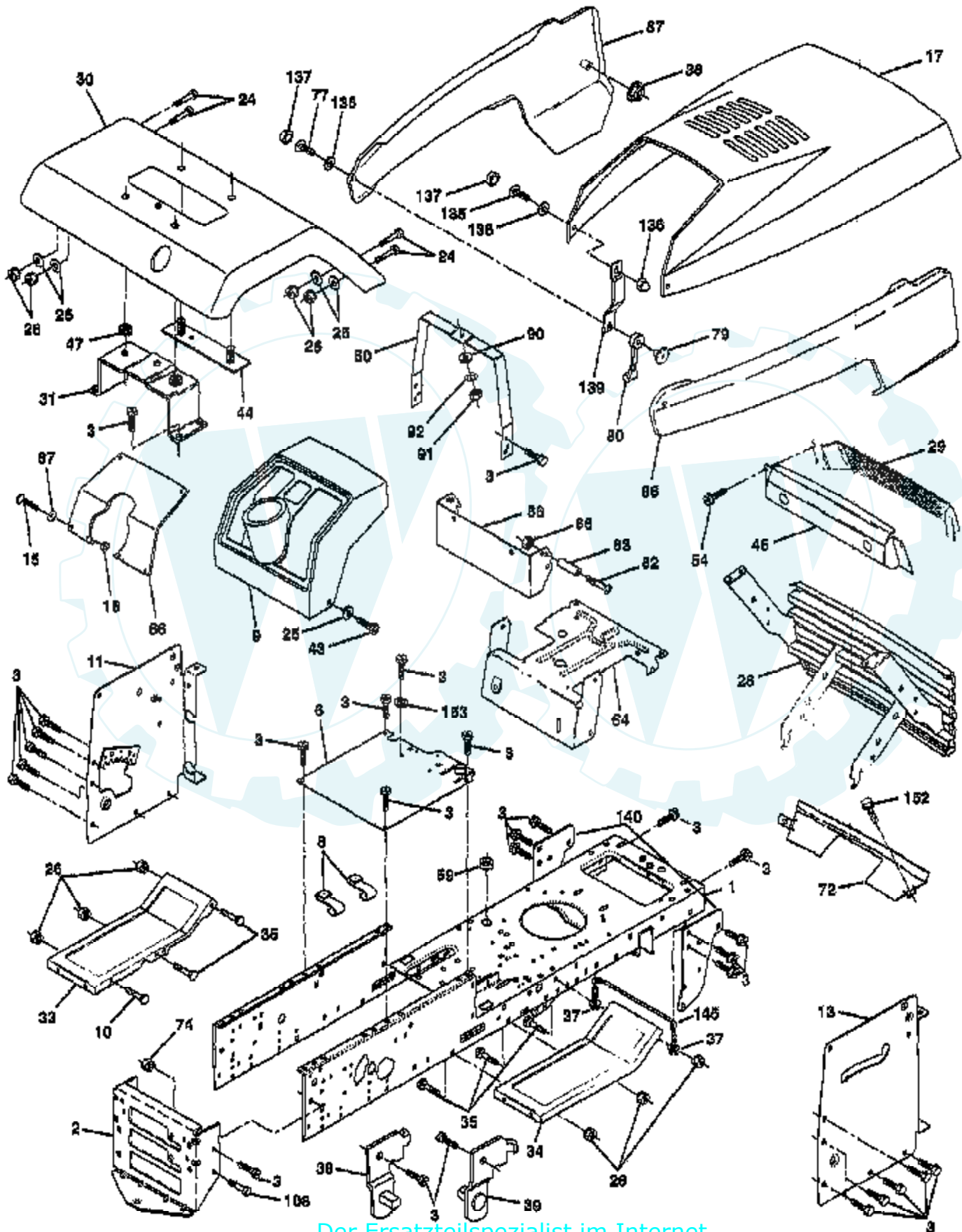


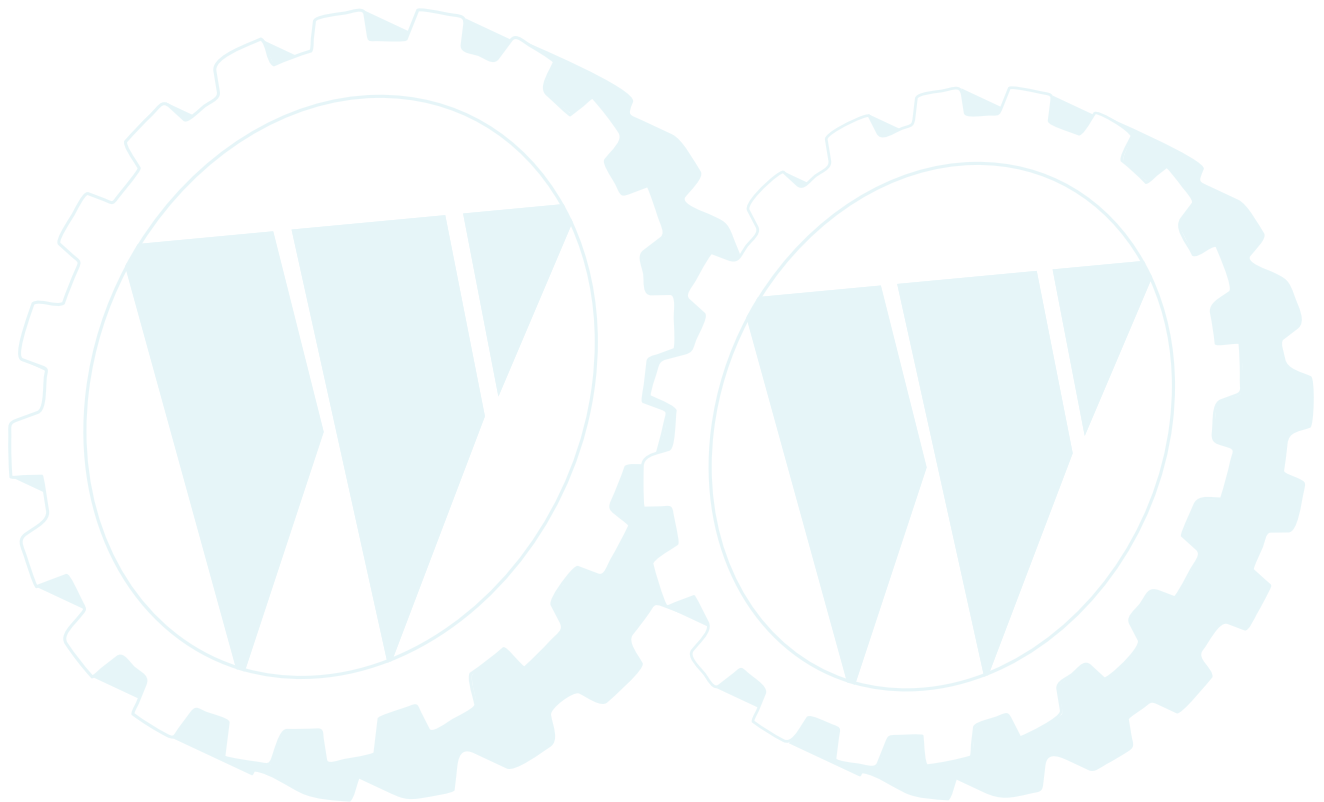
TRACTOR - - MODEL NUMBER YGT20H46A

CHASSIS AND ENCLOSURES



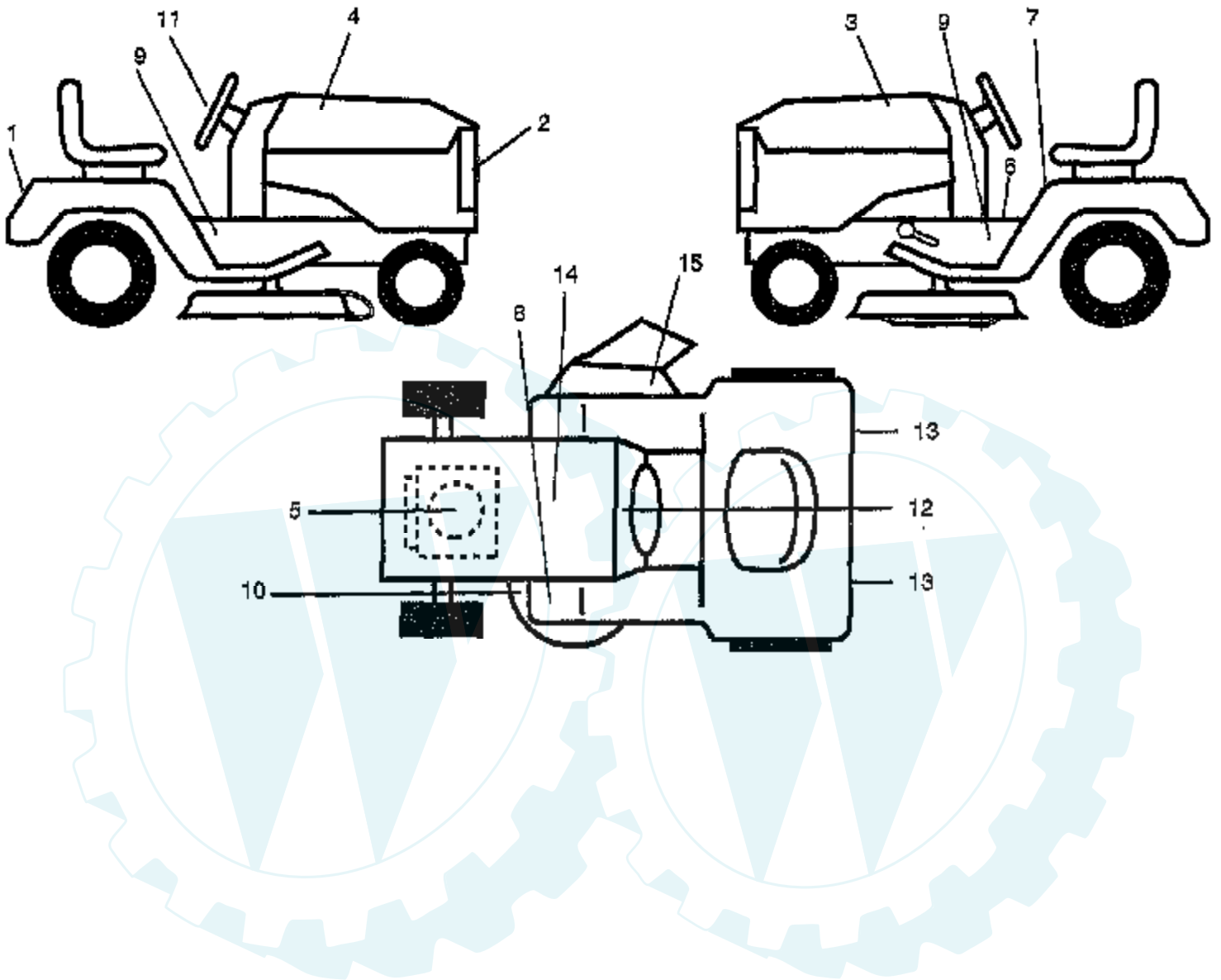
| Ref # | Part Number | Qty | Description |
|-------|-------------|-----|---------------------|
| 1 | 165480 | | CHASSIS.STAMPING |
| 2 | 140356 | | SUB= 145009 |
| 3 | 17490612 | | SCREW |
| 6 | 155923 | | SADDLE |
| 8 | 126471X | | "CLIP,INSULATOR" |
| 9 | 140398 | | DASHBOARD BLACK |
| 10 | 72140608 | | SUB= 72110608 |
| 11 | 159954 | | DASHBRD.PANEL.LH |
| 13 | 159953 | | DASHBRD.PANEL.RH |
| 15 | 74180512 | | SCREW |
| 16 | 73510500 | | NUT |
| 17 | 150301X428 | | "HOOD, YARD PRO" |
| 24 | 74780616 | | BOLT |
| 25 | 19131312 | | WASHER |
| 26 | 73800600 | | NUT |
| 28 | 150197 | | GRILLE ASM PNT |
| 29 | 146459 | | LENS.BAR.CLEAR |
| 30 | 140002X428 | | "FENDER WS,FTK" |
| 31 | 137113 | | BRKT.ASM.FENDER |
| 33 | 145244X428 | | FOOTREST PNT LH |
| 34 | 145243X428 | | FOOTREST.RH.LT/GT |
| 35 | 72110606 | | BOLT |
| 36 | 108067X | | PAL NUT LT |
| 37 | 17490508 | | SCREW LT |
| 38 | 139886 | | BRACKET ASM LH |
| 39 | 139887 | | BRACKET ASM RH |
| 43 | 17490612 | | SCREW |
| 44 | 140675 | | STRAP ASM FENDER |
| 45 | 147717 | | BEZEL.ASM. |
| 47 | 105531X | | NUT-PUSH YT |
| 50 | 145205 | | DASH.SUPT.YP/HUSQ |
| 54 | 161464 | | SCREW.HEX.WS.HD |
| 56 | 150271 | | EXT DASH LTYT |
| 59 | 110436X | | SUB= 9151R |
| 64 | 150272 | | DASH.LOWER.LT |
| 66 | 166681X010 | | PLATE |
| 67 | 19111116 | | WASHER |
| 72 | 144916X428 | | STRAP-GRILLE |
| 74 | 73680600 | | SUB= 73690600 |
| 77 | 74191008 | | SCREW |
| 79 | 2029J | | WELDNUT |
| 80 | 109808X | | HOOD LATCH T |
| 82 | 74981020 | | SCREW |
| 83 | 7206J | | SPACER LT |
| 85 | 73731000 | | NUT |
| 86 | 150303X428 | | "PANEL ASM SIDE,RH" |
| 87 | 150302X428 | | "PANEL ASM-SIDE,LH" |
| 90 | 19091216 | | WASHER PM |
| 91 | 73220400 | | SUB= 50675 |
| 92 | 10040400 | | LOCKWASHER |
| 108 | 74760612 | | SUB= 74780612 |
| 135 | 74291006 | | SCREW.10-24X3/8. |
| 136 | 60867 | | ACORN NUT RB |
| 137 | 110356X | | SNAP CAP LT |
| 138 | 110357X | | WASHER LT |
| 139 | 150195 | | BKT.SPT.HOOD/PANL |
| 140 | 158418 | | BRKT.SUSPENSION |
| 145 | 156524 | | "ROD POVOT,CHASSIS" |

| Ref # | Part Number | Qty | Description |
|-------|-------------|-----|--------------|
| 152 | 17720408 | | SCREW |
| 153 | 19132203 | | WASHER GT |
| | 121794X | | COVER ACCESS |
| | 8022J | | PLUG-DASH T |

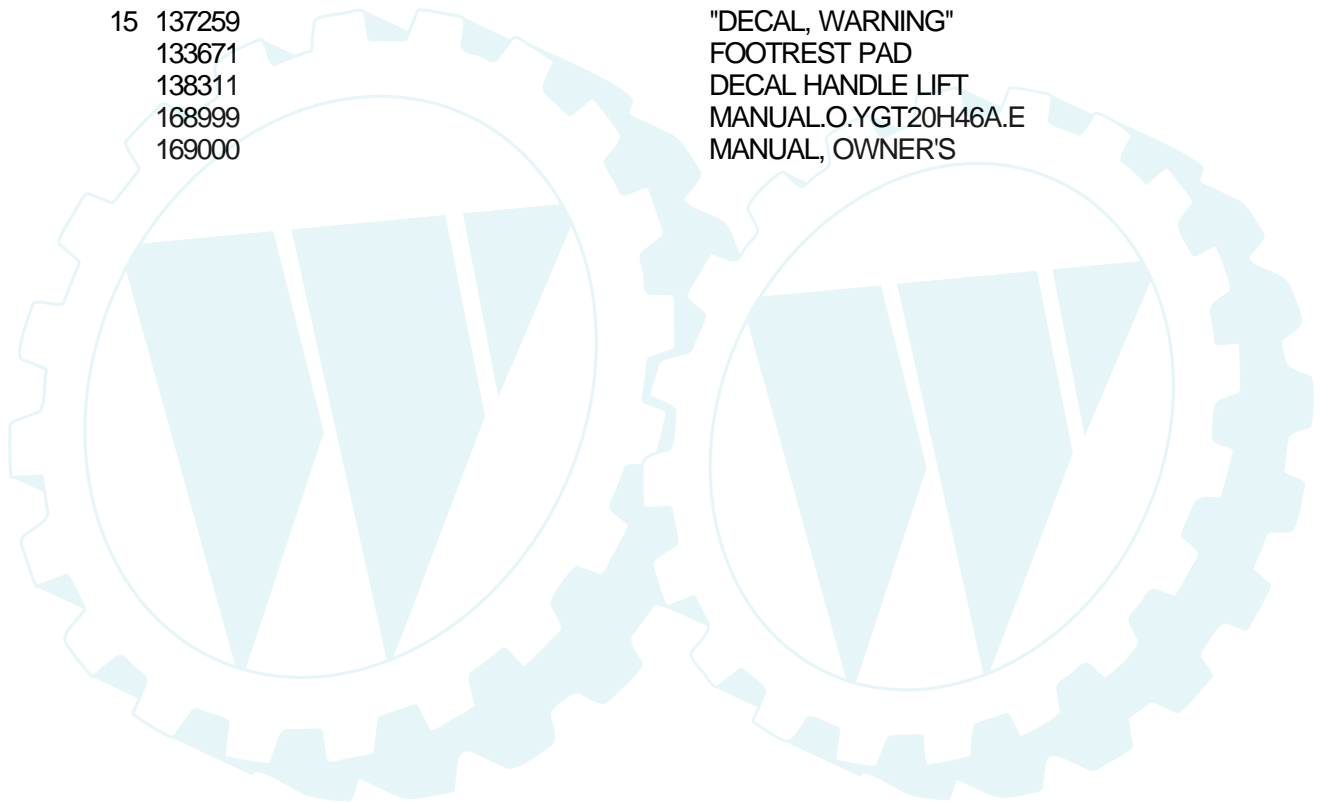


TRACTOR - - MODEL NUMBER YGT20H46A

DECALS

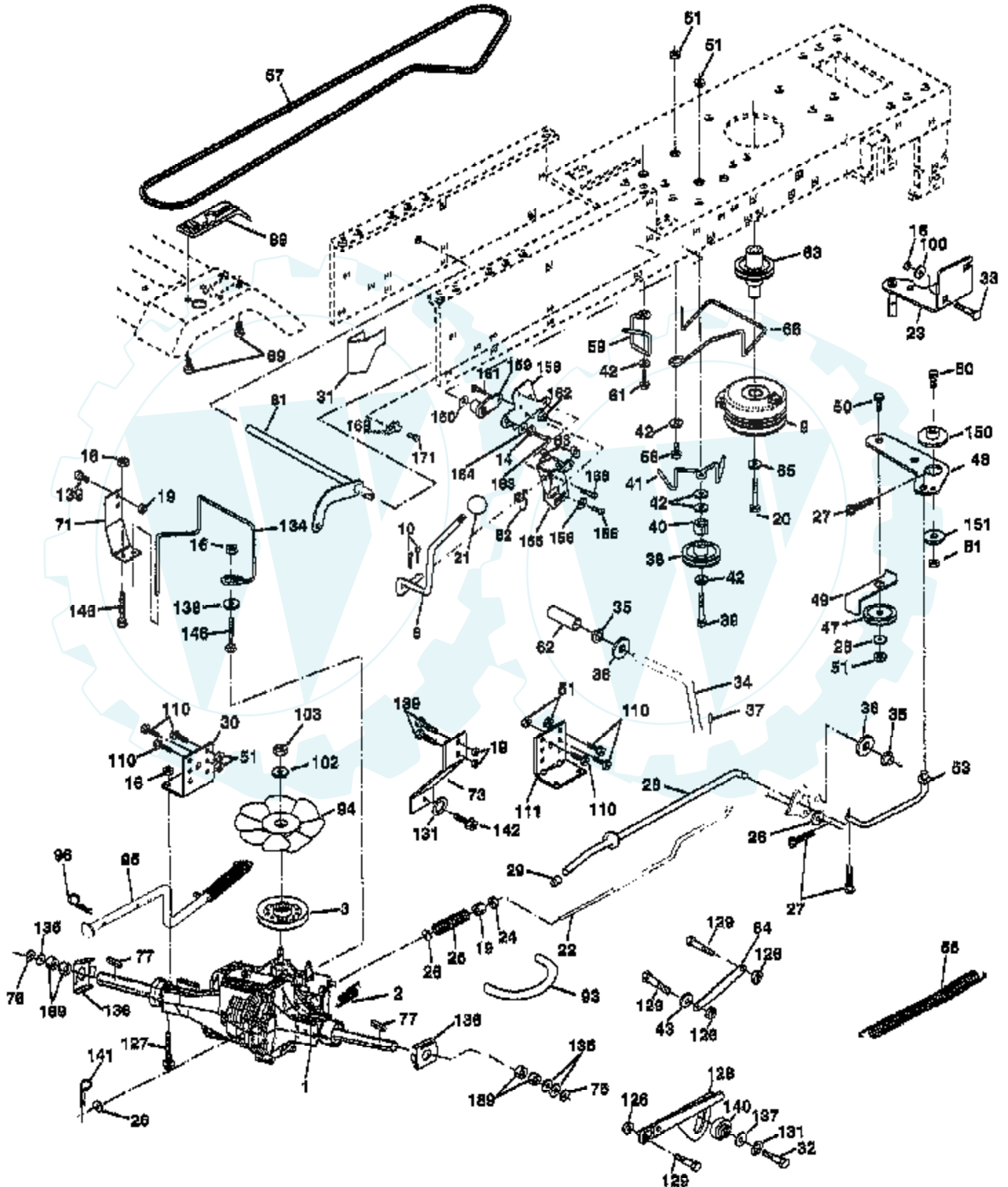


| Ref # | Part Number | Qty | Description |
|-------|-------------|-----|----------------------|
| 1 | 156412 | | DECAL FENDER |
| 2 | 156415 | | DECAL GRILLE |
| 3 | 162351 | | DECAL HOOD LH |
| 4 | 162350 | | DECAL HOOD RH |
| 5 | 165399 | | DECAL .B&S.20HP |
| 6 | 140837 | | DECAL BRAK PARK |
| 7 | 157140 | | DECAL.CAUT.ENG/FR |
| 8 | 101892X | | DECAL T |
| 9 | 158858 | | "DECAL-CHASSIS,46"" |
| 10 | 160397 | | SUB= 532160397 |
| 11 | 156428 | | DECAL INS STRG WH |
| 12 | 156964 | | DECAL OPER INSTR. |
| 13 | 106202X | | REFLECTOR-TAIL YT |
| 14 | 145005 | | DECAL.BATRY.3-3908 |
| 15 | 137259 | | "DECAL, WARNING" |
| | 133671 | | FOOTREST PAD |
| | 138311 | | DECAL HANDLE LIFT |
| | 168999 | | MANUAL.O.YGT20H46A.E |
| | 169000 | | MANUAL, OWNER'S |



TRACTOR - - MODEL NUMBER YGT20H46A

DRIVE

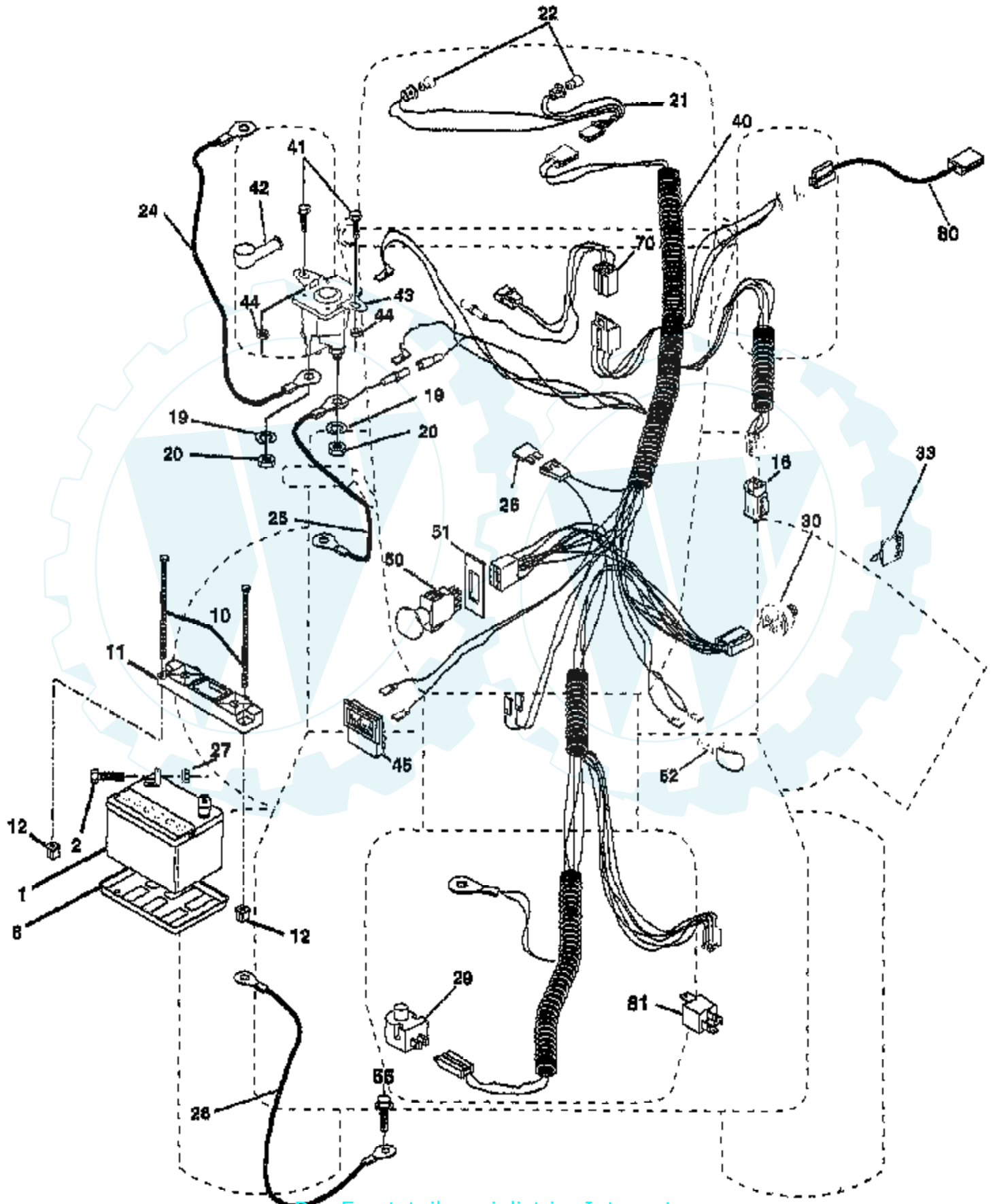


| Ref # | Part Number | Qty | Description |
|-------|-------------|-----|--------------------------------|
| 1 | SUPPLIER | | CHECK WITH SUPPLIER |
| 2 | 142431 | | SPRING RET BRAKE |
| 3 | 143995 | | PULLEY.TRANSAXLE |
| 8 | 166020 | | ROD.SHIFT.FEND.ADJ.YT |
| 9 | 160889 | | CLUTCH.ELECTRIC |
| 10 | 76020416 | | PIN COTTER 1/8 |
| 14 | 10040400 | | LOCKWASHER |
| 16 | 73800500 | | NUT |
| 19 | 73800600 | | NUT |
| 20 | 150280 | | BOLT.7/16-20X4.25 |
| 21 | 121274X | | KNOB.DUCKHEAD.1/2 |
| 22 | 158274 | | BRAKE.ROD.HYDRO. |
| 23 | 154798 | | DASH-LOWER |
| 24 | 73550600 | | NUT HEX JAM 3/8-16 |
| 25 | 106888X | | SPRING ROD LT |
| 26 | 19131316 | | WASHER |
| 27 | 76020412 | | COTTER PIN |
| 28 | 145204 | | ROD.BRAKE.PARK.LT |
| 29 | 71673 | | PLUNGER CAP T |
| 30 | 123780X | | BRKT TRANS LH |
| 31 | 123791X | | KEEPER BELT LH |
| 32 | 74760512 | | BOLT |
| 33 | 72140506 | | BOLT |
| 34 | 155071 | | SHAFT ASM-PEDAL F |
| 35 | 120183X | | NYLON BEARING |
| 36 | 19211616 | | WASHER LT |
| 37 | 1572H | | SUB= 2882J |
| 38 | 131494 | | FLAT IDLER PULLEY |
| 39 | 74760644 | | BOLT |
| 40 | 4470J | | SPACER T |
| 41 | 165838 | | "KEEPER,BELT.IDLER FLAT" |
| 42 | 19131312 | | WASHER |
| 43 | 19111012 | | WASHER T |
| 47 | 127783 | | SUB= 139245 |
| 48 | 154407 | | BELLCRANK.CLUTCH |
| 49 | 123205X | | RETAIN BELT |
| 50 | 74760624 | | SUB= 74930624 |
| 51 | 73680600 | | SUB= 73690600 |
| 53 | 105710X | | "LINK, CLUTCH T" |
| 55 | 105709X | | "SPRING, RETURN LT" |
| 56 | 74760620 | | SUB= 74780620 |
| 57 | 161741 | | BELT.DRIVE |
| 59 | 140312 | | KEEPER BELT CNTSP |
| 61 | 17490612 | | SCREW |
| 62 | 123533X | | "COVER,PEDAL" |
| 63 | 161401 | | PULLEY.ENGINE.1-1/8 |
| 65 | 10040700 | | LOCKWASHER |
| 66 | 161488 | | ENGINE BELT KEEP |
| 69 | 142432 | | SCREW HEXWSH H-L |
| 71 | 158283 | | STRAP.TORQUE.LH.HYDRO |
| 73 | 158282 | | STRAP.TORQUE.RH.HYDRO |
| 76 | 12000053 | | E RING HYT |
| 77 | 9396E | | SQ KEY STD |
| 81 | 165598 | | SHIFT.ASM.CROSS.TAPER |
| 82 | 123782X | | "SPRING,TORSION" |
| 83 | 19171216 | | WASHER |
| 84 | 165926 | | TRANSAXLE LINK |
| 89 | 164892X428 | | CONSOLE.SHIFT.AUTO.YT/GT.BLACK |

| Ref # | Part Number | Qty | Description |
|-------|-------------|-----|----------------------------|
| 90 | 124346X | | NUT |
| 93 | 142564 | | "LINE FUEL HYD 4"" |
| 94 | 140462 | | "FAN 7"" HYDRO" |
| 95 | 158508 | | CONTROL.ASM.BYPAS |
| 96 | 4497H | | RETAINER M |
| 100 | 19111216 | | WASHER M |
| 102 | 141322 | | WASHER BELLEVILLE |
| 103 | 73940800 | | SUB= 73360800 |
| 110 | 74760612 | | SUB= 74780612 |
| 111 | 123776X | | BRKT TRANS RH |
| 126 | 1685H | | SUB= 68478 |
| 127 | 74490548 | | BOLT.HEX.FLGHD. |
| 128 | 158284 | | BRKT NEUTRAL ADJ |
| 129 | 105529X | | SUB= 139888 |
| 131 | 10140500 | | SUB= 10040500 |
| 134 | 158278 | | "KEEPER BELT,RH" |
| 135 | 123800X | | WASHER |
| 136 | 163168 | | WASHER.AXLE.HYDRO |
| 137 | 19111212 | | WASHER |
| 138 | 19112016 | | WASHER |
| 139 | 74780612 | | BOLT |
| 140 | 4475J | | BUSHING.PINION.SECTOR |
| 141 | 159197 | | PIN HITCH |
| 142 | 74330516 | | BOLT.5/16X24X1 |
| 146 | 94490536 | | BOLT |
| 150 | 165850 | | BUSHING.BELLCRANK.GRD.DR |
| 151 | 19133210 | | WASHER |
| 156 | 166002 | | WASHER.SRRTD.5/16 |
| 158 | 165589 | | BRKT.SHIFT.MOUNT |
| 159 | 165494 | | HUB.SHIFT |
| 160 | 19292016 | | WASHER |
| 161 | 72140406 | | BOLT T |
| 162 | 73680400 | | SUB= 73690400 |
| 163 | 74780416 | | NLA |
| 164 | 19091010 | | WASHER.5/8X.281X10GA |
| 165 | 165623 | | BRKT.PIVOT.LEVER |
| 166 | 166880 | | SCREW.5/16-18X5/8 |
| 168 | 165492 | | BOLT.SHOULDER.5/16-18X.561 |
| 169 | 165581 | | PLATE.FASTENING |
| 171 | 17490608 | | SCREW LT |
| 189 | 160849 | | WASHER.SPACER AXL |

TRACTOR - - MODEL NUMBER YGT20H46A

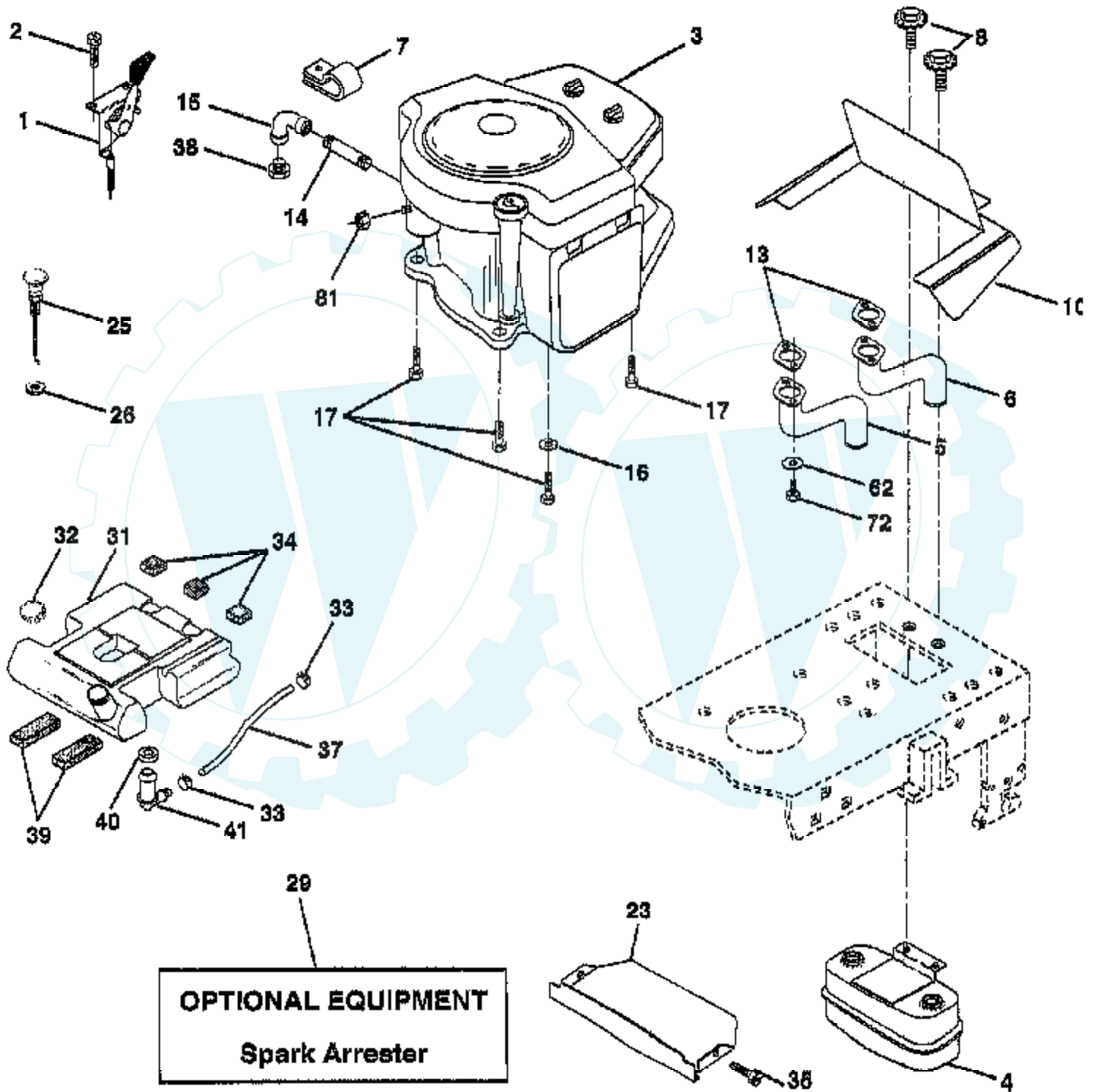
ELECTRICAL



| Ref # | Part Number | Qty | Description |
|-------|-------------|-----|---------------------------|
| 1 | 163465 | | SUB= 123899X |
| 2 | 74760412 | | BOLT LT |
| 8 | 7603J | | "TRAY T, BATTERY" |
| 10 | 145211 | | SUB= 150177 |
| 11 | 150109 | | HOLDDOWN BATTERY |
| 12 | 145769 | | SUB= 150177 |
| 16 | 153664 | | SWITCH INTERLOCK |
| 19 | 10090400 | | SUB= 10040400 |
| 20 | 73350400 | | NUT |
| 21 | 166182 | | HARNESS.ASM.LIGHT.W/4152J |
| 22 | 4152J | | HEADLAMP BULB |
| 24 | 4206J | | CABLE-BATTERY T |
| 25 | 146148 | | CABLE.6GA.22W/16W |
| 26 | 166180 | | FUSE.15 AMP |
| 27 | 73510400 | | NUT |
| 28 | 145491 | | CABLE.GRND.6GA.21 |
| 29 | 160784 | | SWITCH.PLUNGER |
| 30 | 163968 | | SWITCH.IGN. |
| 33 | 140401 | | KEY MLD GEN DELTA |
| 40 | 166168 | | HARNESS |
| 41 | 71110408 | | BOLT HXHD FIN |
| 42 | 131563 | | SUB= 154336 |
| 43 | 145673 | | SUB= 146154 |
| 44 | 73640400 | | NUT HXKEP 1/4X20 |
| 45 | 122822X | | AMMETER |
| 50 | 154959 | | PTO SWITCH.BLK |
| 51 | 140405 | | RING RETAIN PTO |
| 52 | 141940 | | PROTECTION LOOP |
| 55 | 17490508 | | SCREW LT |
| 70 | 166668 | | HARNESS.ENGINE |
| 80 | 146685 | | HARNESS.CLUT.EVX. |
| 81 | 109748X | | RELAY ASSY T |

TRACTOR - - MODEL NUMBER YGT20H46A

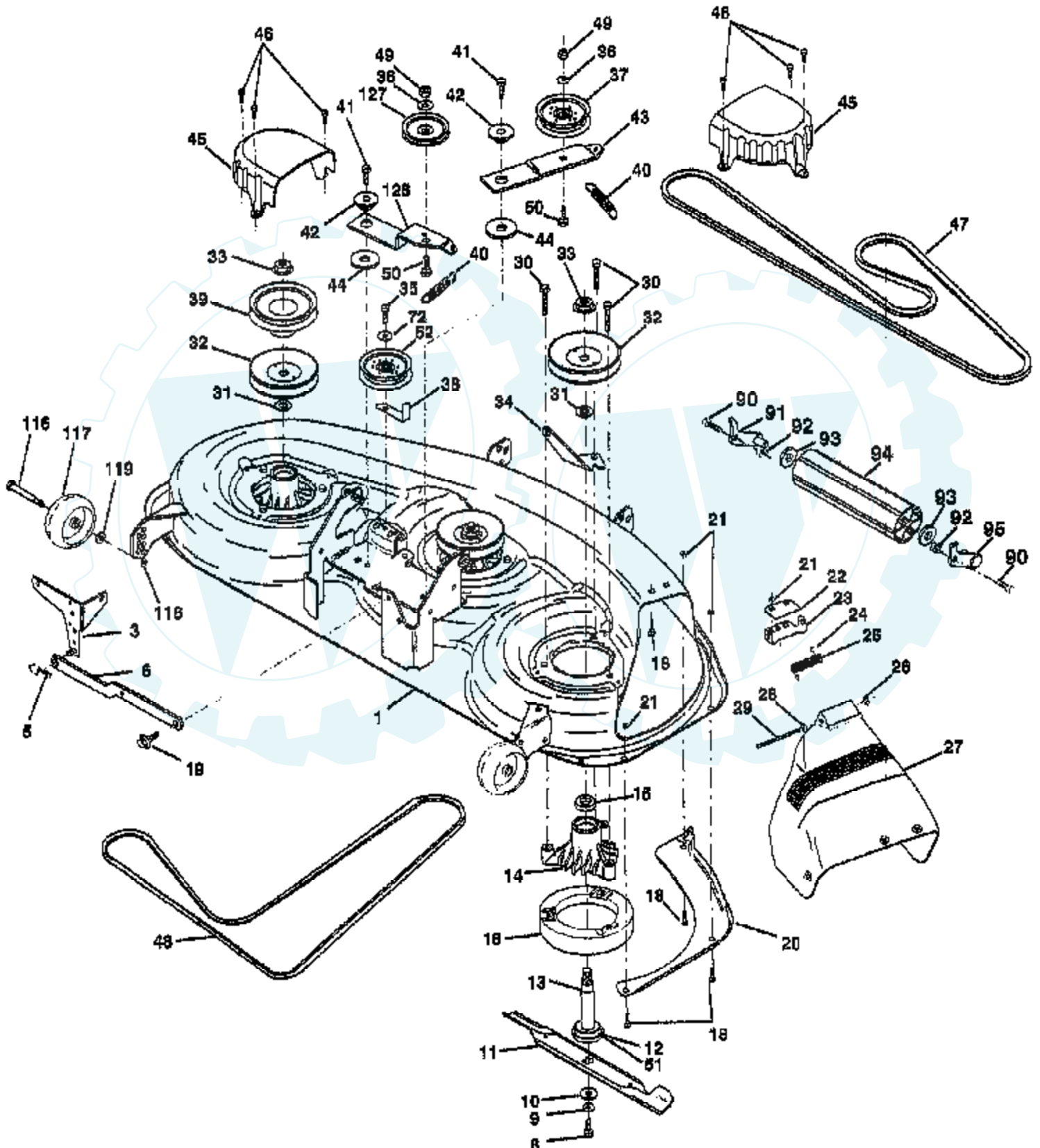
ENGINE



| Ref # | Part Number | Qty | Description |
|-------|-------------|-----|---------------------|
| 1 | 132748 | | SUB= 532132748 |
| 2 | 17720410 | | SCREW LT |
| 3 | SUPPLIER | | CHECK WITH SUPPLIER |
| 4 | 149723 | | MUFFLER.TW.LOTONE |
| 5 | 159955 | | TUBE MANIFOLD LH |
| 6 | 160589 | | TUBE MANIFOLD RH |
| 7 | 126470X | | "CLIP,INSULATOR" |
| 8 | 150176 | | BOLT.5/16-18.UNC |
| 10 | 162797 | | SHIELD.BROWNING |
| 13 | 165391 | | SUB= 273485 |
| 14 | 13280336 | | PIPE NIPPLE LT |
| 15 | 13200300 | | ELBOW |
| 16 | 11050600 | | LOCKWASHER |
| 17 | 17490624 | | SCREW LT |
| 23 | 159880 | | SHIELD.BRN/DBR.GD |
| 25 | 138672 | | "CONTROL.CHOKE.51"" |
| 26 | 73920600 | | "NUT,KEPS 3/8-24IM" |
| 29 | 137180 | | SUB= 532137180 |
| 31 | 151346 | | TANK FUEL REAR |
| 32 | 140527 | | CAP ASM FUEL |
| 33 | 123487X | | HOSE CLAMP |
| 34 | 106082X | | PAD-SPACER LT |
| 35 | 150176 | | BOLT.5/16-18.UNC |
| 37 | 8543R | | FUEL LINE T |
| 38 | SUPPLIER | | CHECK WITH SUPPLIER |
| 39 | 109227X | | PAD IDLER TI |
| 40 | 3645J | | BUSHING OUTLET T |
| 41 | 139277 | | STEM.TANK.FUEL |
| 62 | 10040500 | | LOCKWASHER |
| 72 | 71070512 | | SCREW |
| 81 | 128861 | | NUT |

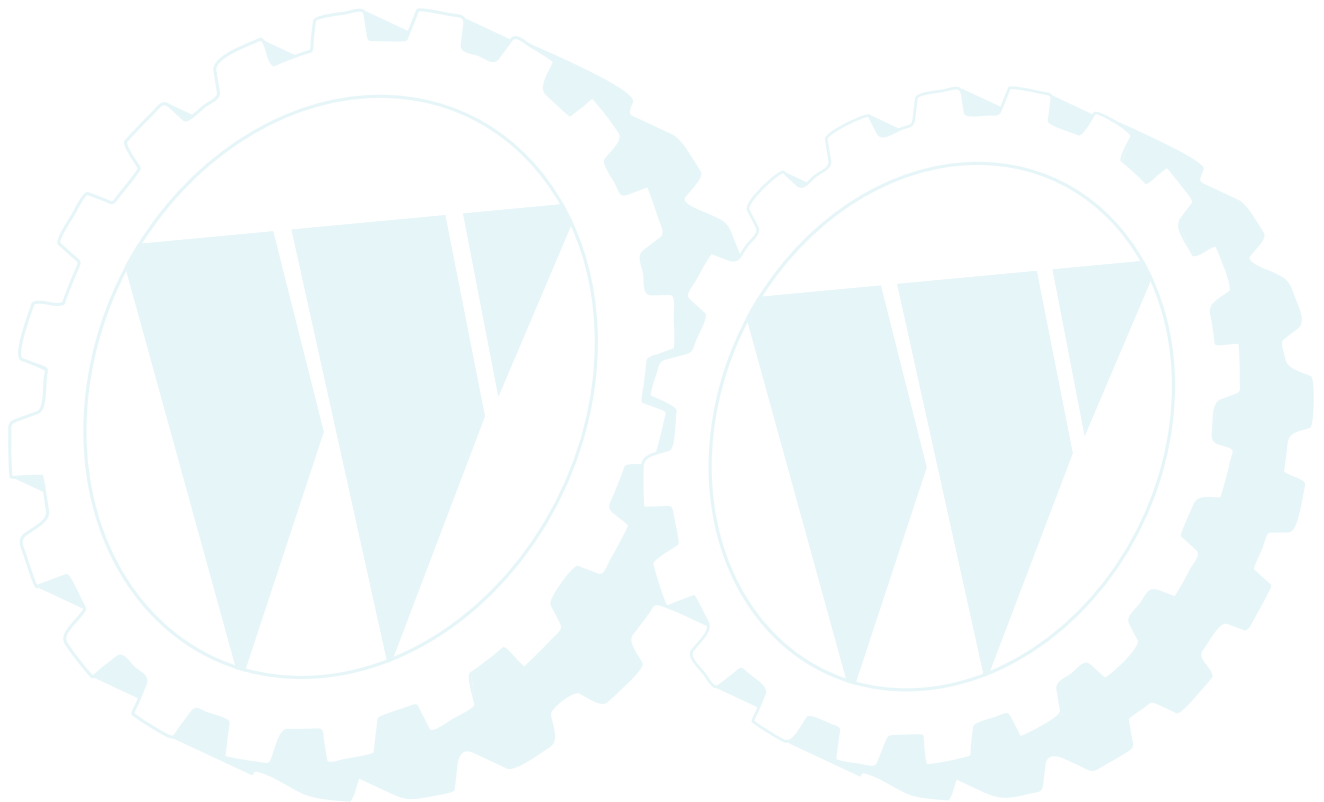
TRACTOR - - MODEL NUMBER YGT20H46A

MOWER DECK



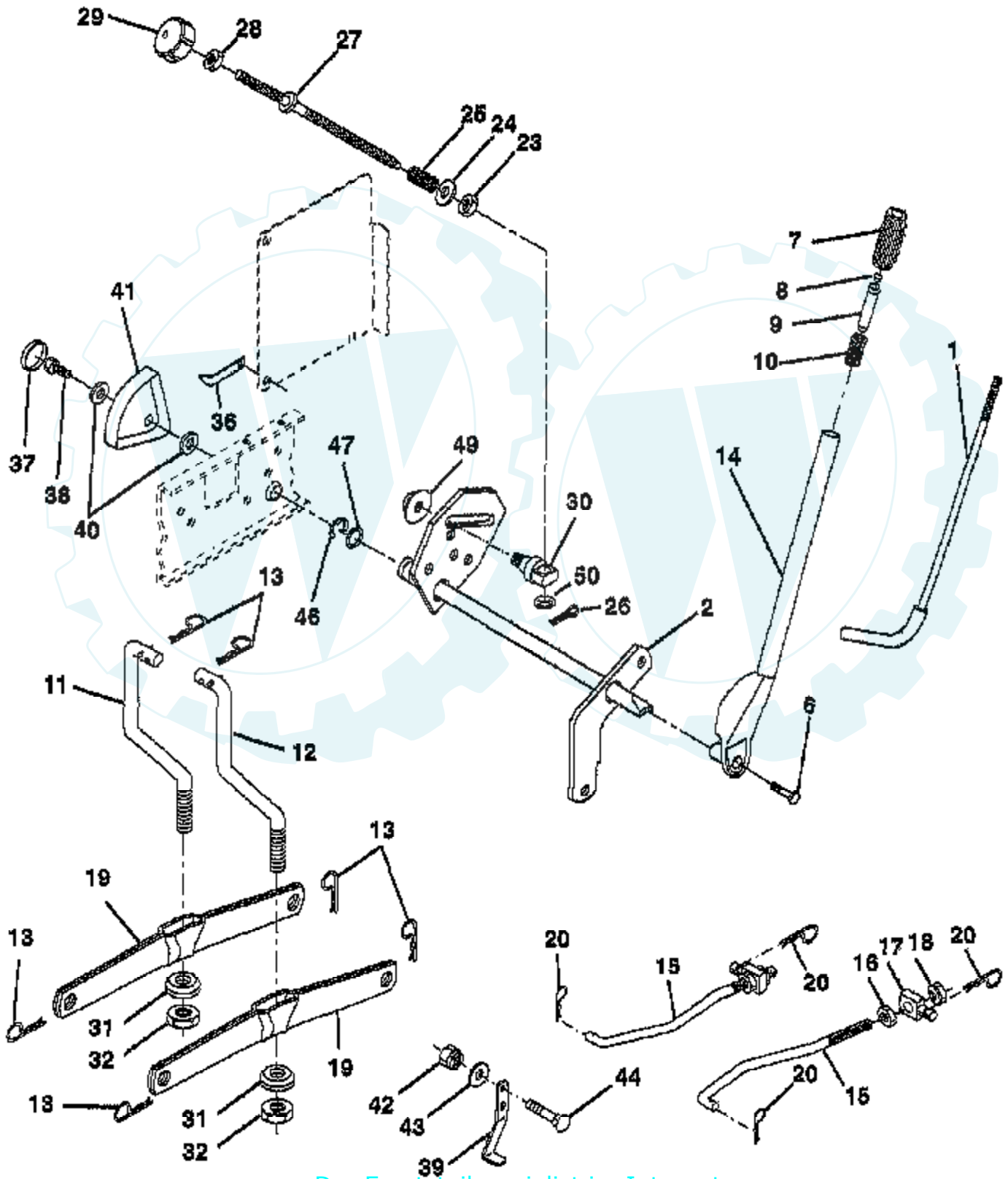
| Ref # | Part Number | Qty | Description |
|-------|-------------|-----|----------------------|
| 1 | 164210 | | "DECK.ASM.MOWER46"" |
| 3 | 138457 | | BRKT.ASM.SW.44/50 |
| 5 | 4939M | | SUB= 85902 |
| 6 | 130832 | | SUB= 130833 |
| 8 | 850857 | | BLADE BOLT |
| 9 | 10030600 | | SUB= 10040600 |
| 10 | 140296 | | WASHER.HARD.BLADE |
| 11 | 163819 | | "BLADE MULCH 46"" |
| 12 | 129895 | | BEARING.BALL |
| 13 | 137553 | | SHAFT.ASM.W/BRNG |
| 14 | 137152 | | HOUSING.MAND.44.V |
| 15 | 110485X | | BEARING |
| 16 | 140329 | | STRIPPER RND MWR |
| 18 | 72140505 | | BOLT |
| 19 | 132827 | | BOLT SHD 5/16-18 |
| 20 | 145055 | | BAFFLE.VORTEX.46 |
| 21 | 73680500 | | SUB= 73690500 |
| 22 | 134753 | | STIFFENER BRKT |
| 23 | 131267 | | DEFLECTOR BRKT |
| 24 | 105304X | | CAP-SLEEVE LT |
| 25 | 149287 | | SUB= 123713X |
| 26 | 110452X | | NUT PUSH M |
| 27 | 157788 | | SHIELD DEFLECTOR |
| 28 | 19111016 | | WASHER |
| 29 | 131491 | | HINGE ROD |
| 30 | 157722 | | "SCREW-THD ROLL,WA" |
| 31 | 129963 | | WASHER |
| 32 | 153531 | | PULLEY.MAND.36/46 |
| 33 | 137266 | | SUB= 139729 |
| 34 | 144945 | | ANCHOR.SPRING.46 |
| 35 | 17490628 | | SCREW LT |
| 36 | 19131316 | | WASHER |
| 37 | 131494 | | FLAT IDLER PULLEY |
| 38 | 156086 | | "KEEPER BELT,IDLER" |
| 39 | 144917 | | PULLEY.DRV.DCK.46 |
| 40 | 137273 | | "SPRING.SEC.44""VEN" |
| 41 | 17490620 | | SCREW |
| 42 | 122052X | | SPACER RETAINER |
| 43 | 144949 | | ARM.IDLER.DECK.46 |
| 44 | 133943 | | HARDENED WASHER |
| 45 | 145059 | | COVER.MANDREL.46 |
| 46 | 137729 | | SCREW.1/4-20X5/8 |
| 47 | 144959 | | BELT-V.SEC.46.KEL |
| 48 | 148763 | | BELT.MWR.PRM.85.4 |
| 49 | 73680600 | | SUB= 73690600 |
| 50 | 72110612 | | BOLT.3/8-16X1.50 |
| 51 | 153390 | | WASHER.FELT. |
| 52 | 156493 | | "PULLEY IDLER,FLAT" |
| 72 | 19131616 | | WASHER HYT |
| 90 | 74760616 | | BOLT |
| 91 | 132274 | | SUB= 532132274 |
| 92 | 73800600 | | NUT |
| 93 | 19171416 | | WASHER |
| 94 | 132264 | | SUB= 532132264 |
| 95 | 132273 | | SUB= 532132273 |
| 116 | 137644 | | BOLT.SHOULDER |
| 117 | 133957 | | WHEEL GAGE DONUT |
| 118 | 73930600 | | LOCKNUT |

| Ref # | Part Number | Qty | Description |
|-------|-------------|-----|-------------------|
| 119 | 19121414 | | WASHER |
| 126 | 144948 | | ARM.IDLER.PRIM.46 |
| 127 | 146763 | | PULLEY.IDLER.4.25 |
| | 143651 | | MANDREL SERV ASM |
| | 166222 | | DECK COMPLETE |



TRACTOR - - MODEL NUMBER YGT20H46A

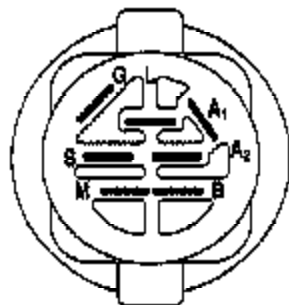
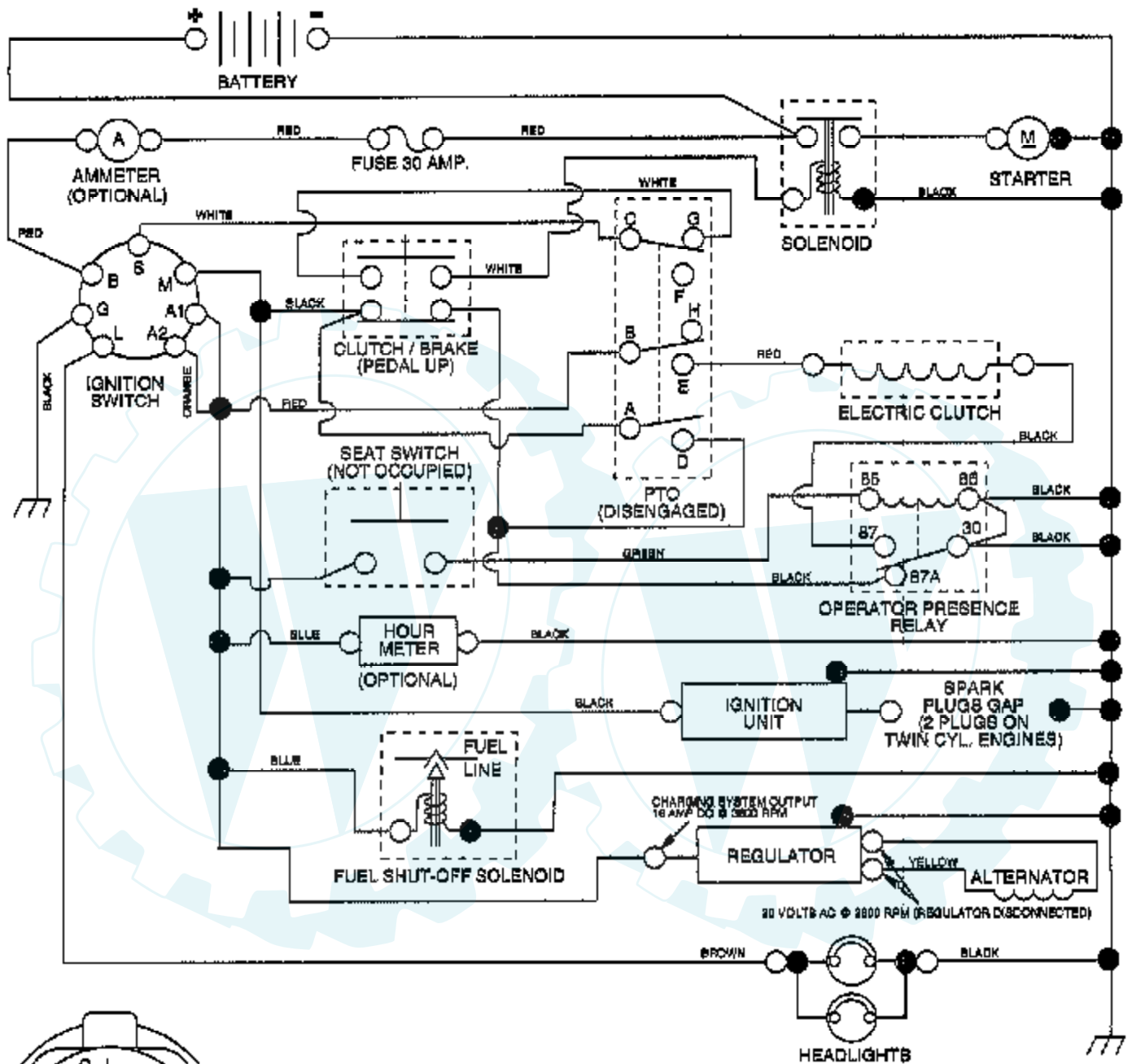
MOWER LIFT



| Ref # | Part Number | Qty | Description |
|-------|-------------|-----|--------------------------|
| 1 | 121006X | | LEVER ROD LT |
| 2 | 159188 | | LEVER ASSY LIFT.RH. |
| 6 | 74780624 | | "BOLT,HEX" |
| 7 | 125631X | | GRIP HANDLE |
| 8 | 124526X | | SUB= 125925X |
| 9 | 122364X | | SUB= 125925X |
| 10 | 2876H | | SPRING T |
| 11 | 145537 | | LINK.LIFT.LH.GTV |
| 12 | 145536 | | LINK.LIFT.RH.GTV. |
| 13 | 4939M | | SUB= 85902 |
| 14 | 159189 | | LEVER.ASM.LIFT.RH |
| 15 | 127218 | | LINK.FRONT |
| 16 | 73350800 | | NUT |
| 17 | 130171 | | TRUNION |
| 18 | 73680800 | | NUT LTV |
| 19 | 139868 | | ARM SUSP REAR |
| 20 | 163552 | | RETAINER SPRING |
| 23 | 110807X | | NUT T |
| 24 | 19131016 | | WASHER |
| 25 | 137150 | | SPRING.COMP.INF.H |
| 26 | 76020308 | | SUB= 3145 |
| 27 | 137167 | | ROD.ADJ.LIFT |
| 28 | 73350600 | | NUT |
| 29 | 138057 | | KNOB INF 3/8-16 |
| 30 | 150233 | | TRUNNION |
| 31 | 140302 | | BEARING PVT LH |
| 32 | 73540600 | | NUT.CROWNLOCK.3/8 |
| 36 | 155097X | | POINTER HEIGHT INDICATOR |
| 37 | 123935X | | "PLUG,HOLE" |
| 38 | 17490512 | | SCREW |
| 39 | 142992 | | STOP.OVER.CENTER |
| 40 | 19112410 | | WASHER |
| 41 | 123934X | | HEIGHT INDICATOR |
| 42 | 73680600 | | SUB= 73690600 |
| 43 | 19131612 | | WASHER GT |
| 44 | 72240608 | | BOLT |
| 46 | 12000022 | | E-RING |
| 47 | 19292016 | | WASHER |
| 49 | 145212 | | NUT.HXFLG.LOCK. |
| 50 | 110452X | | NUT PUSH M |

TRACTOR - - MODEL NO. YGT20H46A

SCHEMATIC



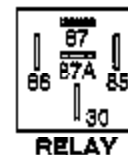
IGNITION SWITCH

| POSITION | CIRCUIT | "MAKE" |
|-----------|---------|--------|
| OFF | M+G+A1 | NONE |
| RUN/LIGHT | B+A1 | A2+L |
| RUN | B+A1 | NONE |
| START | B+B+A1 | NONE |

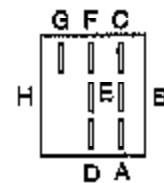
WIRING INSULATED CLIPS
NOTE: IF WIRING INSULATED CLIPS WERE REMOVED FOR SERVICING OF UNIT, THEY SHOULD BE REPLACED TO PROPERLY SECURE YOUR WIRING.

PTO SWITCH

| POSITION | CIRCUIT |
|----------|---------------|
| OFF | C+G, B+H |
| ON | G+F, B+E, A+D |



RELAY



RELAY

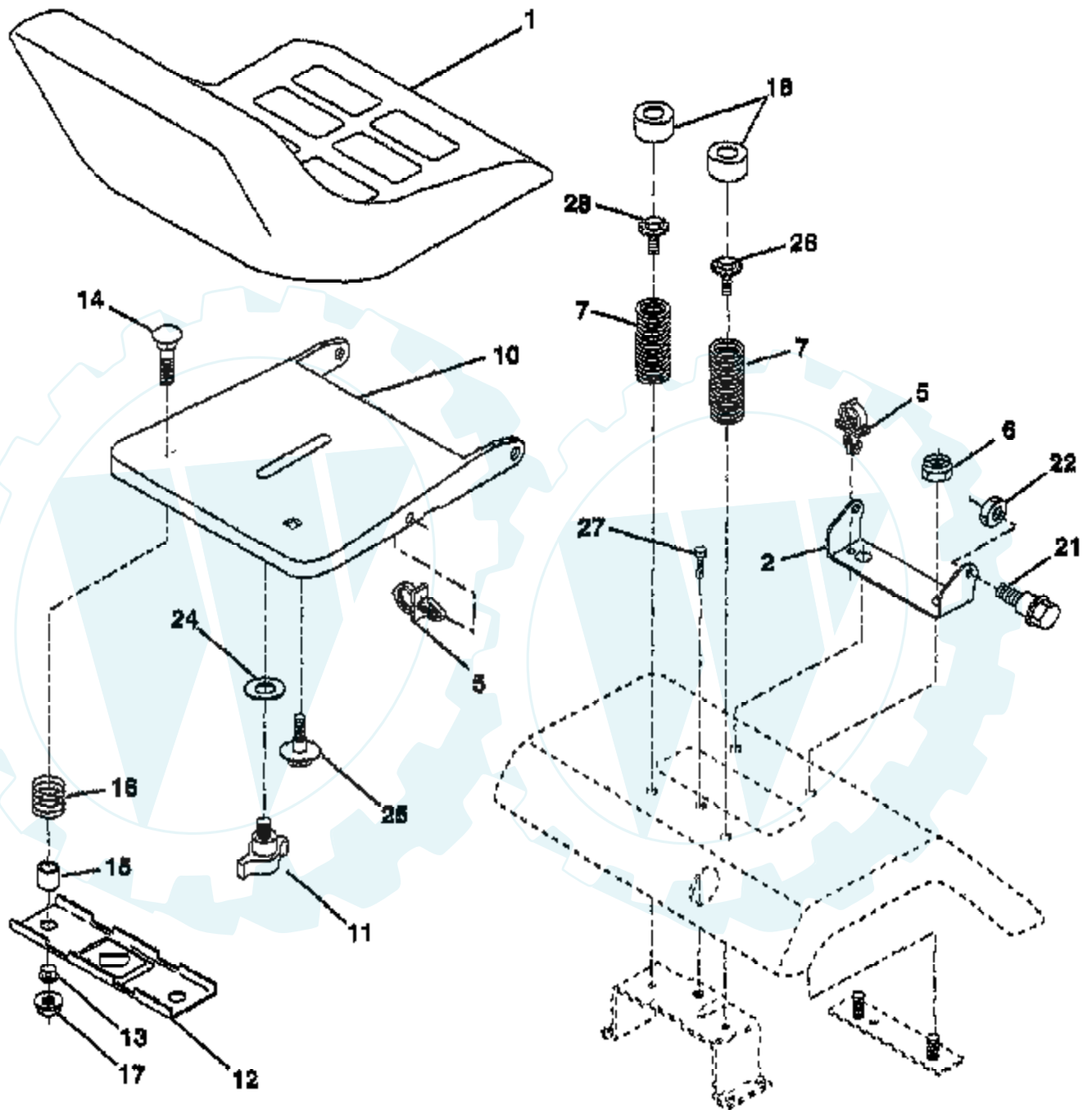
●
NON-REMOVABLE CONNECTIONS

○
REMOVABLE CONNECTIONS

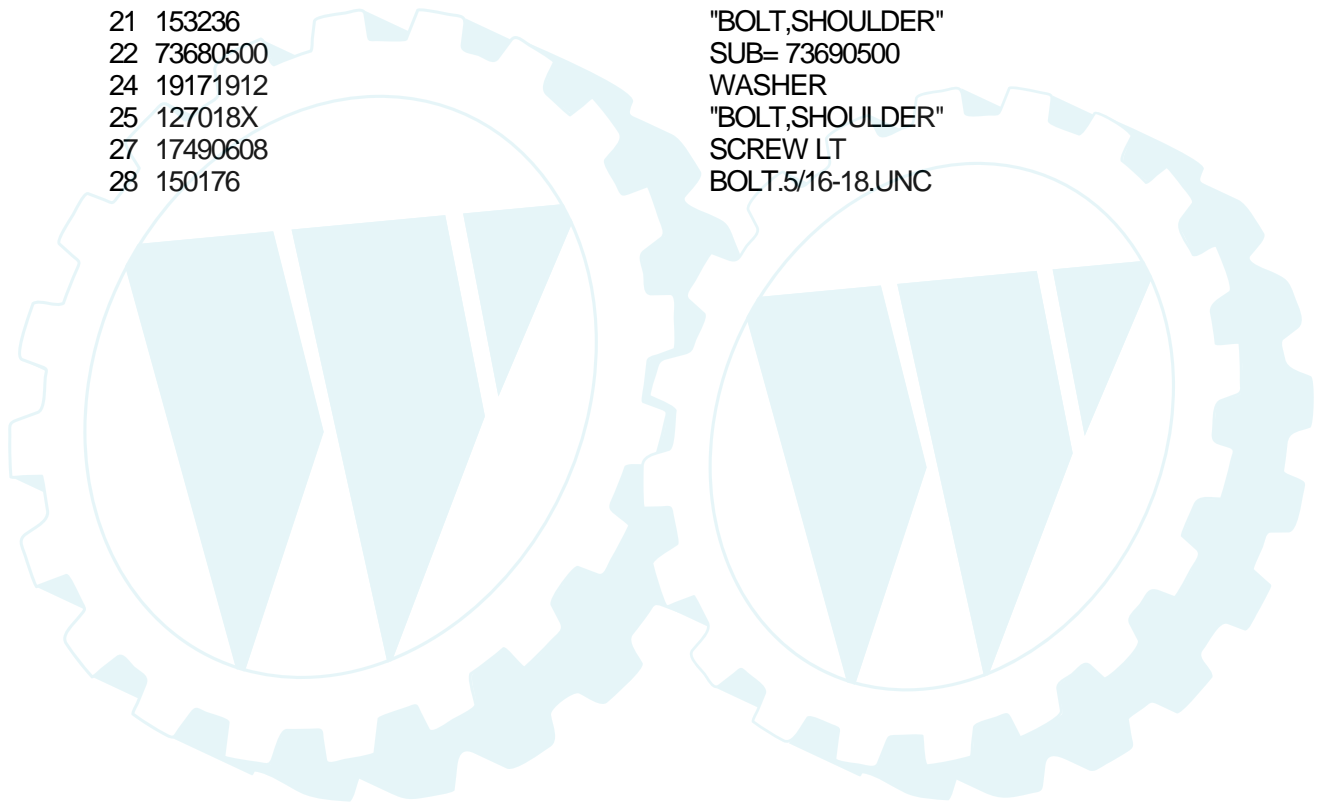
TRACTOR - - MODEL NUMBER YGT20H46A

SEAT ASSEMBLY

NOTE: All component dimensions given in U.S. inches
1 inch = 25.4 mm



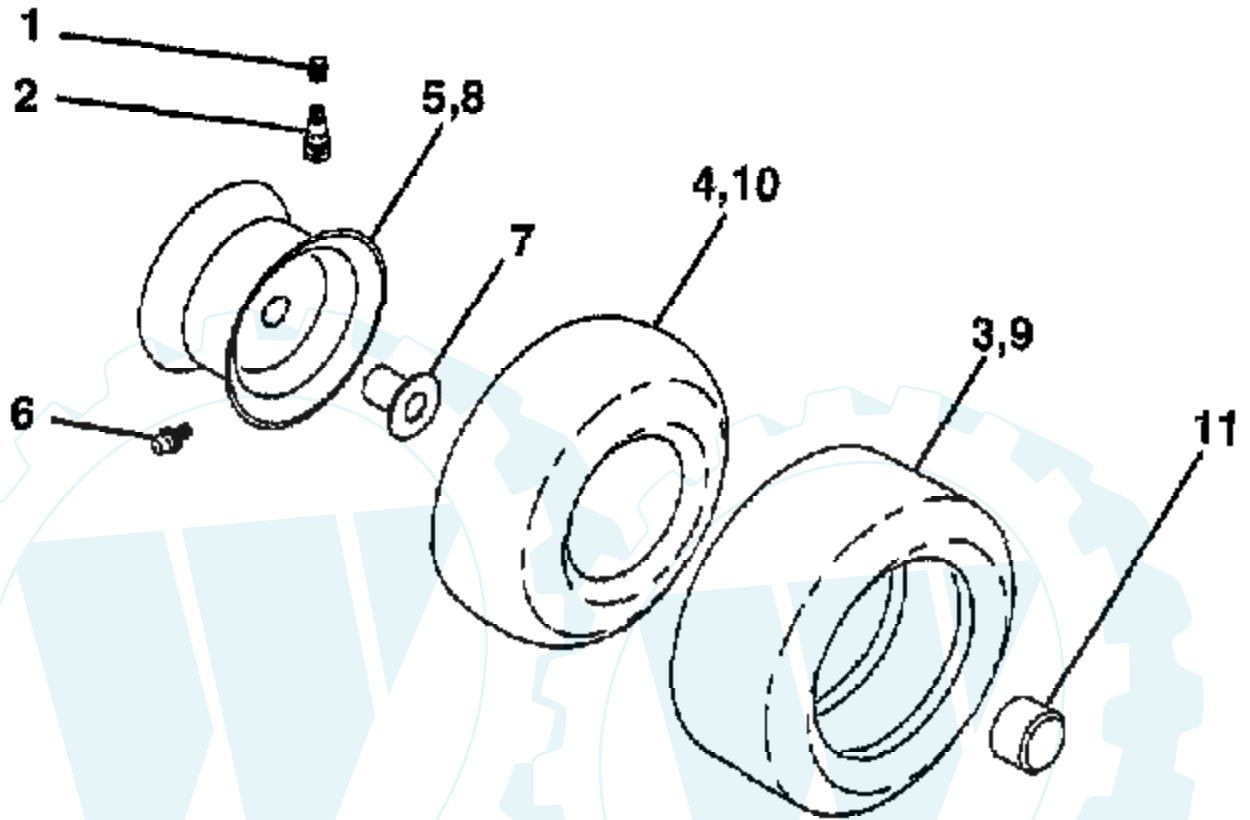
| Ref # | Part Number | Qty | Description |
|-------|-------------|-----|-----------------------|
| 1 | 127440 | | SUB= 140121 |
| 2 | 140551 | | BRACKET PVT SEAT |
| 5 | 145006 | | CLIP.PUSH-IN.HING |
| 6 | 73800600 | | NUT |
| 7 | 124181X | | SPRING COMPRESSIO |
| 10 | 155925 | | PAN-SEAT |
| 11 | 166369 | | KNOB.SEAT.ADJ.WINGNUT |
| 12 | 121246X | | BRKT SWITCH |
| 13 | 121248X | | BUSHING |
| 14 | 72050412 | | BOLT-RD HD SQ NK |
| 15 | 121249X | | SPACER SPLIT |
| 16 | 123740X | | SPRING COMPRESSED |
| 17 | 123976X | | SUB= 73900400 |
| 18 | 124238X | | CAP SPRING |
| 21 | 153236 | | "BOLT,SHOULDER" |
| 22 | 73680500 | | SUB= 73690500 |
| 24 | 19171912 | | WASHER |
| 25 | 127018X | | "BOLT,SHOULDER" |
| 27 | 17490608 | | SCREW LT |
| 28 | 150176 | | BOLT.5/16-18.UNC |



| Ref # | Part Number | Qty | Description |
|-------|-------------|-----|------------------------|
| 1 | 121472X | | SUB= 150546 |
| 2 | 137094 | | SUB= 532137094 |
| 3 | 157482 | | "SPINDLE ASM,RH" |
| 4 | 157481 | | "SPINDLE ASM,RH" |
| 5 | 6266H | | WASHER .T |
| 6 | 121748X | | WASHER |
| 8 | 12000029 | | RING |
| 10 | 154432 | | LINK.DRAG |
| 11 | 10040600 | | LOCKWASHER |
| 12 | 73940800 | | SUB= 73360800 |
| 13 | 154779 | | BEARING AXLE |
| 15 | 73901000 | | "NUT-LOC,FLANGE LT" |
| 17 | 156544 | | STEERING SHAFT |
| 18 | 57079 | | THRUST WASHER |
| 19 | 160395 | | SUPPORT.SHAFT.STEER |
| 22 | 165857 | | SCREW.HX.WSH.HD |
| 23 | 165851 | | SHAFT.ASM.PITMAN |
| 25 | 154406 | | BRKT-STEERING |
| 27 | 136874 | | GEAR SECTOR |
| 29 | 17490612 | | SCREW |
| 32 | 137347 | | ROD.ASM.TIE.BALL |
| 36 | 145207 | | BUSHING.STRG.3/4 |
| 37 | 152927 | | "SCREW-TT,10-32 FL" |
| 38 | 126805X | | "INSERT,STR WHEEL" |
| 39 | 100712K | | WASHER |
| 40 | 7810H | | GRIPCO NUT |
| 41 | 100711L | | ADAPTER LT |
| 43 | 121749X | | WASHER |
| 46 | 121232X | | CAP |
| 47 | 6855M | | ZERK M |
| 62 | 167902 | | KIT.STEER.ASM |
| 65 | 154780 | | SPACER AXLE |
| 66 | 154404 | | "BEARING-ARM,PITMA" |
| 67 | 74781044 | | BOLT |
| 68 | 154429 | | BRACE AXLE |
| 74 | 109850 | | JOINT ASM BALL |
| 75 | 109851 | | JOINT ASM BALL |
| 76 | 137156 | | SUB= 137347 |
| 77 | 73700600 | | NUT |
| 78 | 73360600 | | NUT |
| 79 | 19132012 | | WASHER |
| 80 | 74950612 | | BOLT.HX.NYLON3/8-16X3/ |

TRACTOR - - MODEL NUMBER YGT20H46A

WHEELS & TIRES



NOTE: All component dimensions given in U.S. inches
1 inch = 25.4 mm

| Ref # | Part Number | Qty | Description |
|-------|-------------|-----|--------------------------|
| 1 | 59192 | | VALVE CAP |
| 2 | 65139 | | VALVE STEM LT |
| 3 | 106230X | | SUB= 122075X |
| 4 | PARTSIMAGE | | REFER TO PARTS IMAGE |
| 4 | 59904 | | TUBE.5.3/4.5/6 |
| 5 | 106228X427 | | "RIM ASM 8" FRT" |
| 6 | 278H | | FITTING LT |
| 7 | 9040H | | "FLANGE, BEARING" |
| 8 | 124074X427 | | RIM.REAR. |
| 9 | 140183 | | TIRE.R.23X9.5-12 |
| 10 | PARTSIMAGE | | REFER TO PARTS IMAGE |
| 10 | 7154J | | TUBE.23X8/10-12 |
| 11 | 104757X | | HUB CAP |
| | 144334 | | SEALANT.TIRE 10 OZ. TUBE |

