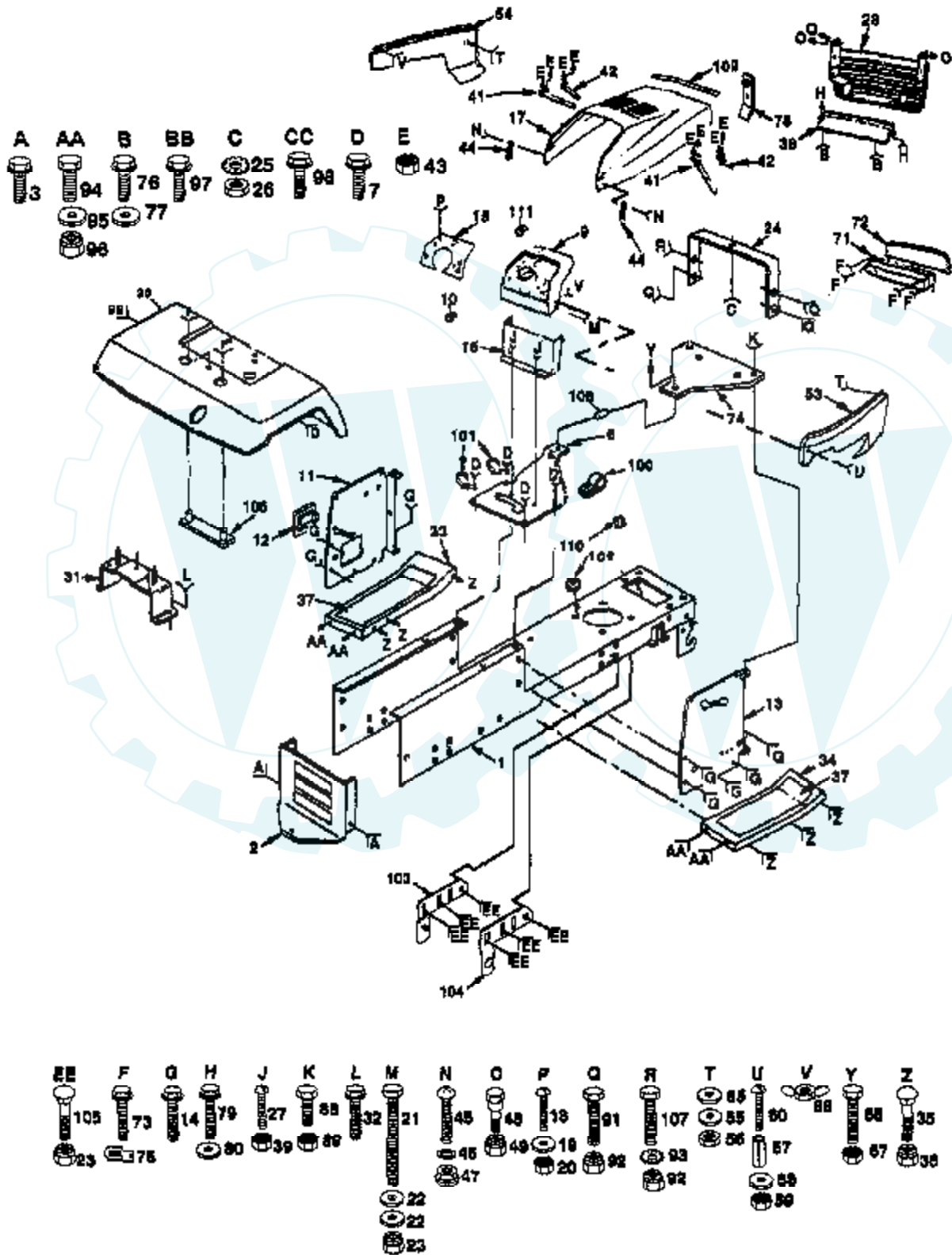
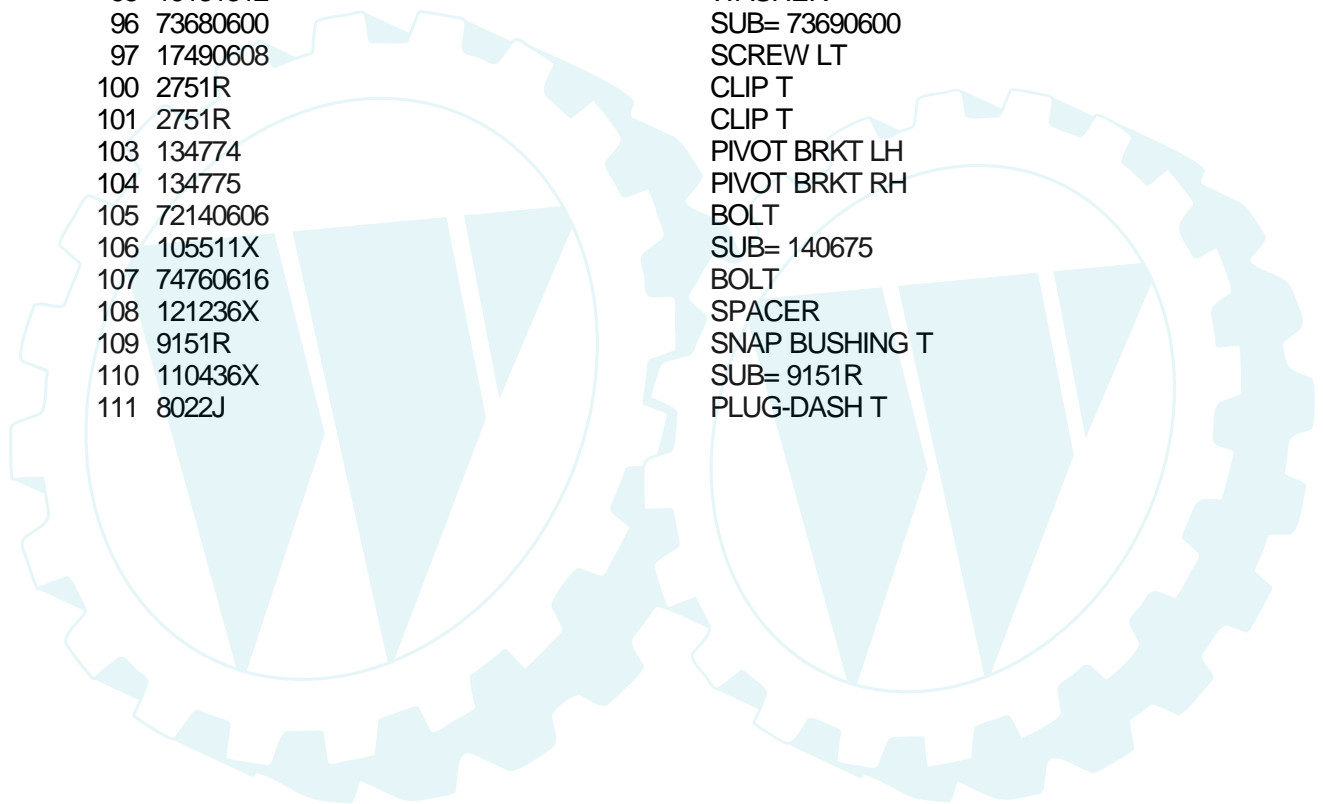


### 14 HP 42" TRACTOR -- MODEL NUMBER YE1442A CHASSIS AND ENCLOSURES



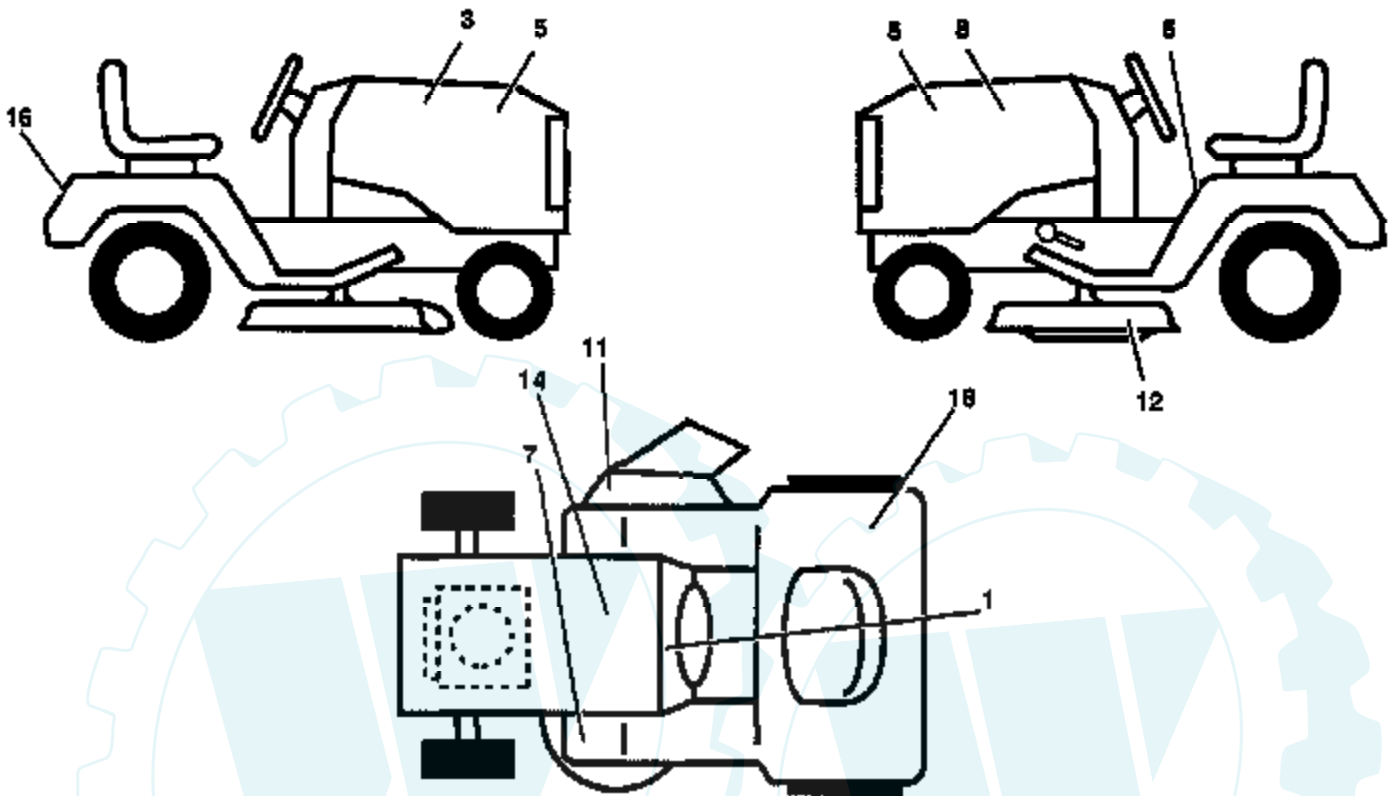
Ref #	Part Number	Qty	Description
1	135034		SUB= 145501
2	130805		SUB= 145009
3	17490612		SCREW
6	131005X017		SADDLE
7	17490608		SCREW LT
9	124252X		SUB= 140398
10	5479J		PLUG BUTTON T
11	124118X		PANEL DASH LH
12	121794X		COVER ACCESS
13	133748		DASH PANEL RH
14	17490612		SCREW
15	121444X015		DASHPLATE
16	104783X		DASH ASSY LT
17	132635X505		SUB= 150301X505
18	74180512		SCREW
19	19111116		WASHER
20	73510500		NUT
21	74760620		SUB= 74780620
22	19131312		WASHER
23	73680600		SUB= 73690600
24	124130X		SUPPORT ASS'Y
25	11050400		LOCKWASHER
26	73220400		SUB= 50675
27	74180512		SCREW
28	131716		SUB= 532131716
30	121642X505		FENDER
31	105509X		SUB= 137113
32	17490612		SCREW
33	105465X505		SUB= 145244X505
34	105464X505		SUB= 145243X505
35	72110606		BOLT
36	73680600		SUB= 73690600
37	133671		FOOTREST PAD
38	105419X505		GRILL STRAP
39	73510500		NUT
41	106784X		SUB= 155013
42	104618X		SUB= 155013
43	73510400		NUT
44	109808X		HOOD LATCH T
45	74191008		SCREW
46	10071000		LOCKWASHER
47	2029J		WELDNUT
48	123481X		SUB= 7605J
49	73680400		SUB= 73690400
53	132636X505		"PANEL,SIDE RH"
54	132637X505		"PANEL,SIDE LH"
55	19091216		WASHER PM
56	73220400		SUB= 50675
57	7206J		SPACER LT
58	19070818		WASHER
59	73731000		NUT
60	74981020		SCREW
66	123198X		SUB= 146525
71	124392X417		SUB= 147717
72	106395X		LENS LT
73	17211010		SCREW LT
74	106965X		SUB= 140181
75	104755X		"J" FASTENER LT"

Ref #	Part Number	Qty	Description
76	17490512		SCREW
77	19131210		WASHER
78	132644		SUB= 532132644
79	17490412		SCREW HEX CRT
80	19091016		WASHER
85	74760532		BOLT
87	73510500		NUT
88	74760620		SUB= 74780620
89	73510600		NUT
91	74760612		SUB= 74780612
92	73680600		SUB= 73690600
93	11050600		LOCKWASHER
94	74760612		SUB= 74780612
95	19131312		WASHER
96	73680600		SUB= 73690600
97	17490608		SCREW LT
100	2751R		CLIP T
101	2751R		CLIP T
103	134774		PIVOT BRKT LH
104	134775		PIVOT BRKT RH
105	72140606		BOLT
106	105511X		SUB= 140675
107	74760616		BOLT
108	121236X		SPACER
109	9151R		SNAP BUSHING T
110	110436X		SUB= 9151R
111	8022J		PLUG-DASH T



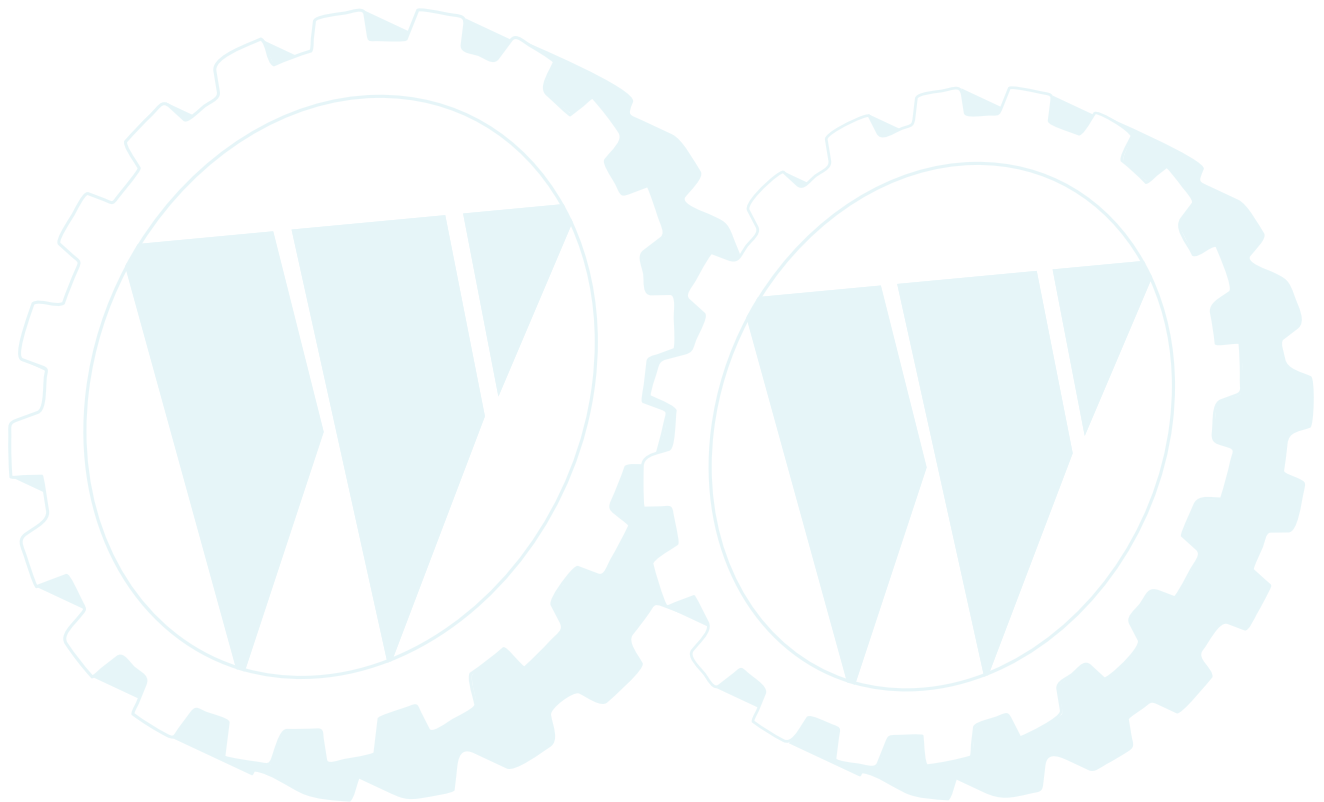
## 14 HP 42" TRACTOR - - MODEL NUMBER YE1442A

### DECALS



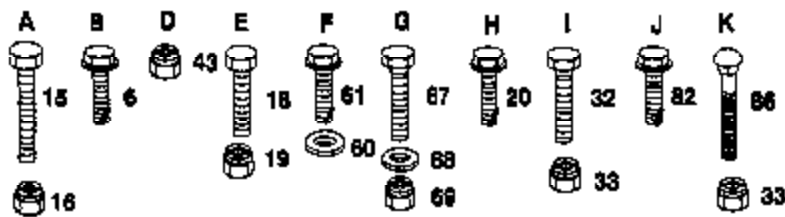
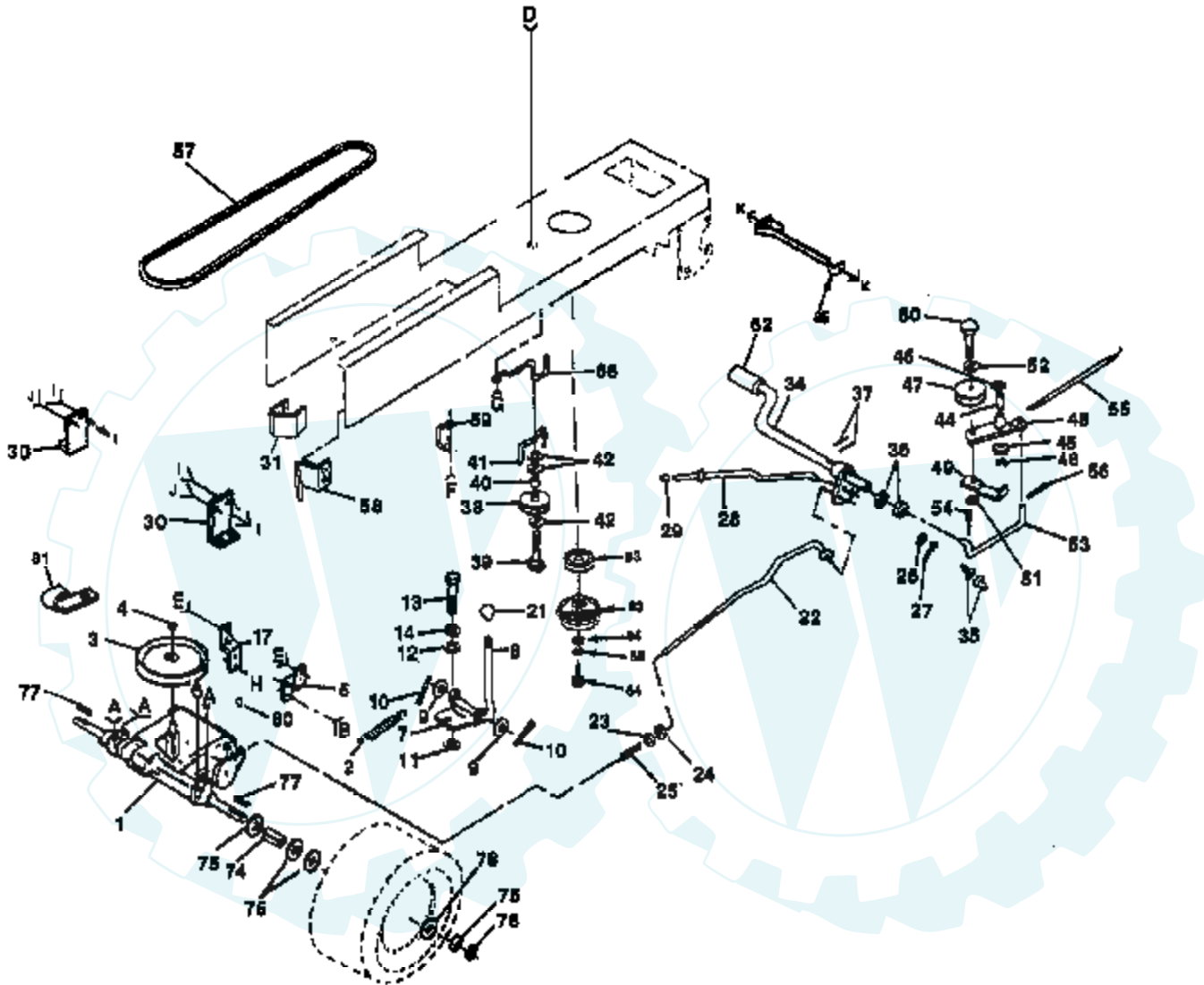
**NOTE:** All component dimensions given in U.S. inches - 1  
inch = 25.4 mm

Ref #	Part Number	Qty	Description
1	109821X		SUB= 138956
3	123966X		NLA
5	126167X		DECAL
6	133795		DECAL CAUTION
7	101892X		DECAL T
8	123965X		DECAL HOOD LH
11	121349X		DECAL WARNING
12	109820X		DECAL YT
14	121549X		DECAL
16	123964X		NLA
18	125690X		DECAL
	132704		MANUAL, OPERATOR'S
	133075		"MANUAL,PARTS"



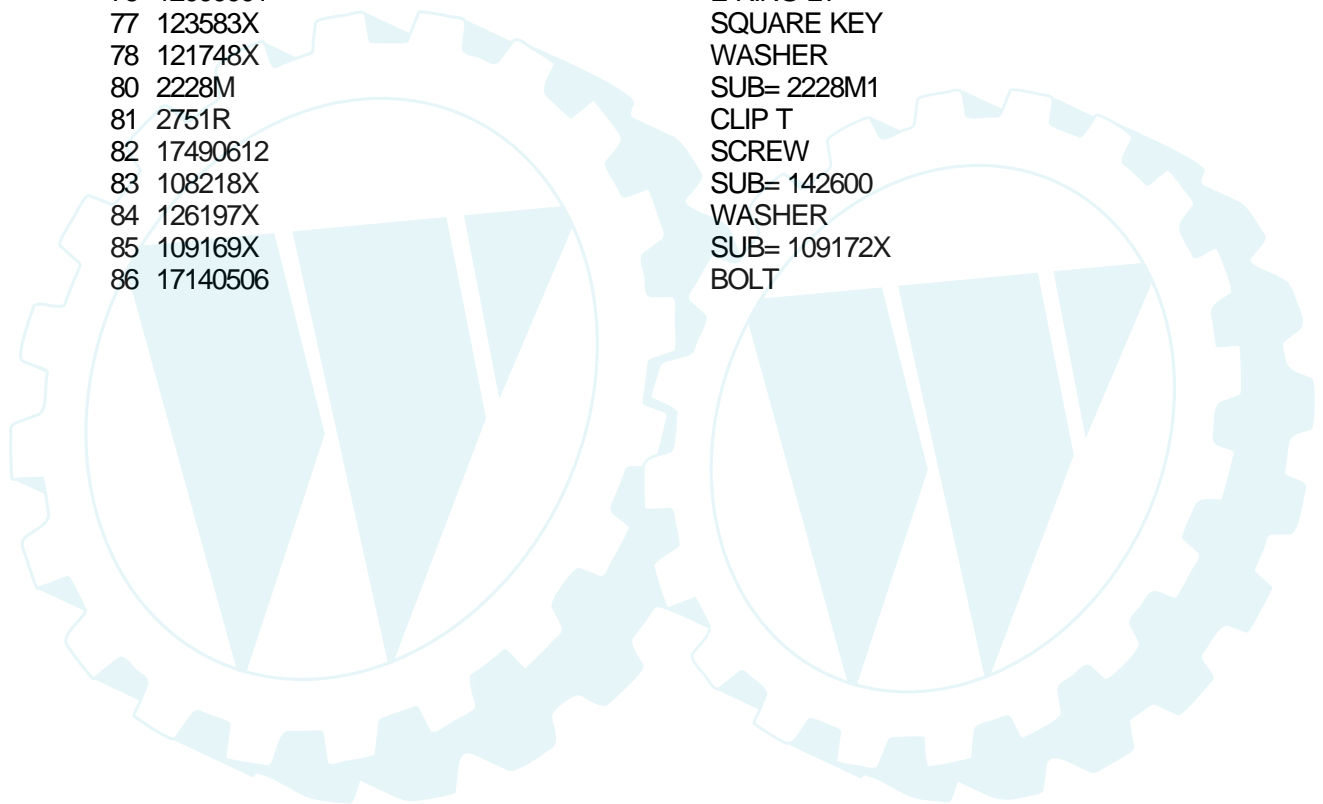
### 14 HP 42" TRACTOR - - MODEL NUMBER YE1442A

#### DRIVE



Ref #	Part Number	Qty	Description
1	124162X		SUB= 137367
2	110422X		SUB= 146682
3	123666X		PULLEY TRANS
4	12000028		SUB= 2267J
5	121520X		STRAP TORQUE
6	17490512		SCREW
7	130802		SUB= 162240
8	131679		SHIFT ROD
9	19151216		WASHER
10	76020416		PIN COTTER 1/8
11	105701X		WASH-SHFT PLT LT
12	19091210		WASHER LT
13	71040412		SUB= 74550412
14	10040400		LOCKWASHER
15	74760540		BOLT
16	73680500		SUB= 73690500
17	121520X		STRAP TORQUE
18	74760612		SUB= 74780612
19	73680600		SUB= 73690600
20	17490512		SCREW
21	121274X		KNOB.DUCKHEAD.1/2
22	130804		BRAKE ROD
23	73800600		NUT
24	73350600		NUT
25	106888X		SPRING ROD LT
26	19131316		WASHER
27	76020412		COTTER PIN
28	133261		BRAKE PARK ROD
29	71673		PLUNGER CAP T
30	130807		TRANSAXLE MTG BKT
31	127275X		"KEEPER,BELT LH T"
32	74760512		BOLT
33	73680500		SUB= 73690500
34	122424X		SUB= 149001
35	120183X		NYLON BEARING
36	19211616		WASHER LT
37	1572H		SUB= 2882J
38	123674X		PULLEY.IDLER.FLAT
39	74760644		BOLT
40	4470J		SPACER T
41	109070X		BELT KEEPER LT
42	19131312		WASHER
43	73680600		SUB= 73690600
44	105706X		"LY, BEARING"
45	110812X		WASHER LT
46	12000039		KLIP RING
47	127783		SUB= 139245
48	123789X		ARM IDLER
49	123205X		RETAIN BELT
50	74760624		SUB= 74930624
51	73680600		SUB= 73690600
52	19131316		WASHER
53	105710X		"LINK, CLUTCH T"
54	76020412		COTTER PIN
55	105709X		"SPRING, RETURN LT"
56	76020412		COTTER PIN
57	130801		SUB= 138255
58	127274X		"KEEPER,BELT RH T"

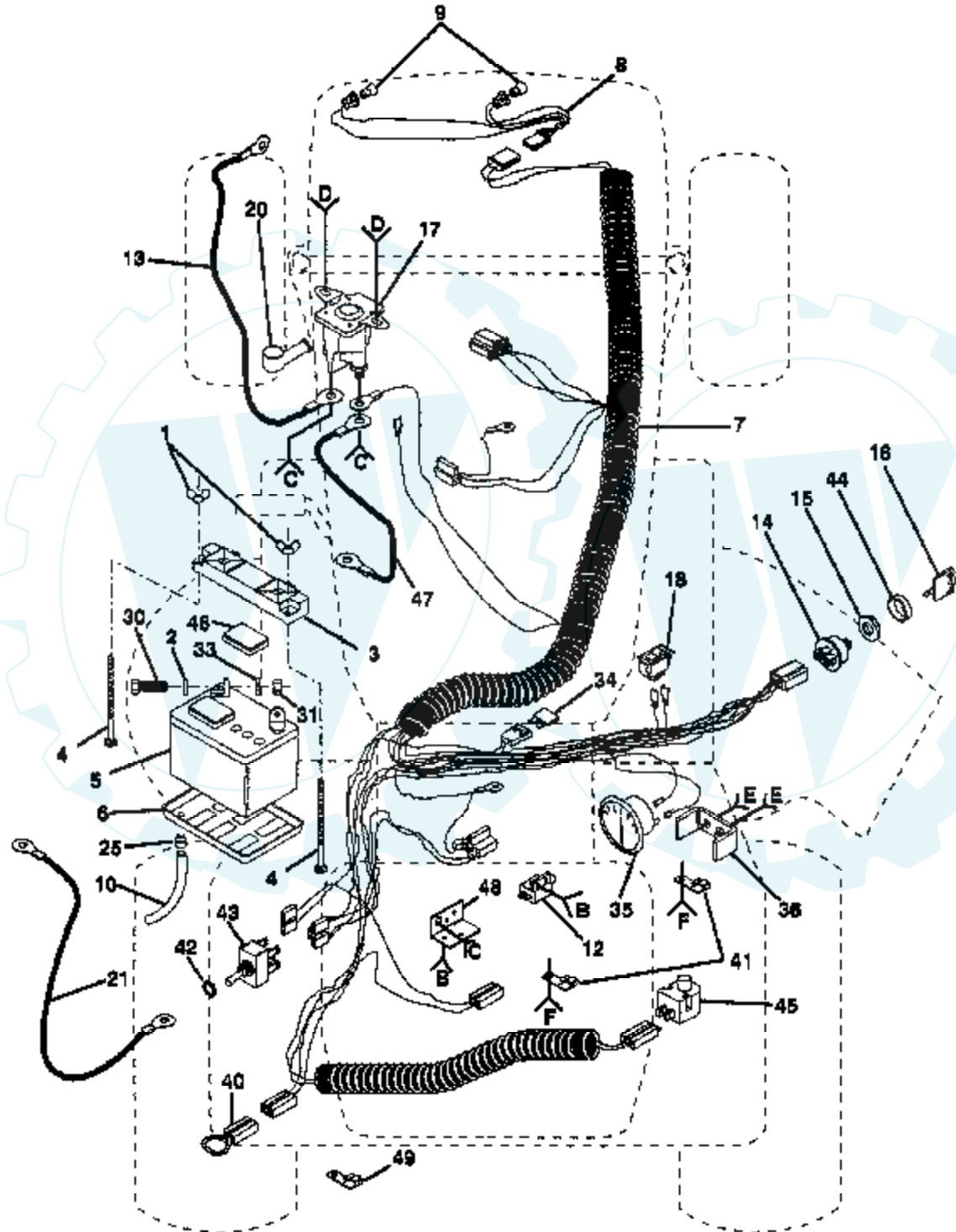
Ref #	Part Number	Qty	Description
59	104777X		SUB= 140312
60	19131312		WASHER
61	17490612		SCREW
62	8883R		PEDAL COVER T
63	109841X		SUB= 136905
64	M747810110		"BOLT,HEX"
65	10040700		LOCKWASHER
66	129921		KEEPER.BELT.ENG.L
67	74760616		BOLT
68	19131312		WASHER
69	73680600		SUB= 73690600
74	109502X		SPACER LT
75	121749X		WASHER
76	12000001		E-RING LT
77	123583X		SQUARE KEY
78	121748X		WASHER
80	2228M		SUB= 2228M1
81	2751R		CLIP T
82	17490612		SCREW
83	108218X		SUB= 142600
84	126197X		WASHER
85	109169X		SUB= 109172X
86	17140506		BOLT





14 HP 42" TRACTOR -- MODEL NUMBER YE1442A

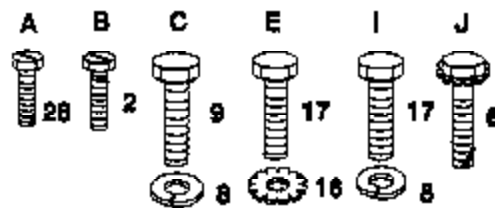
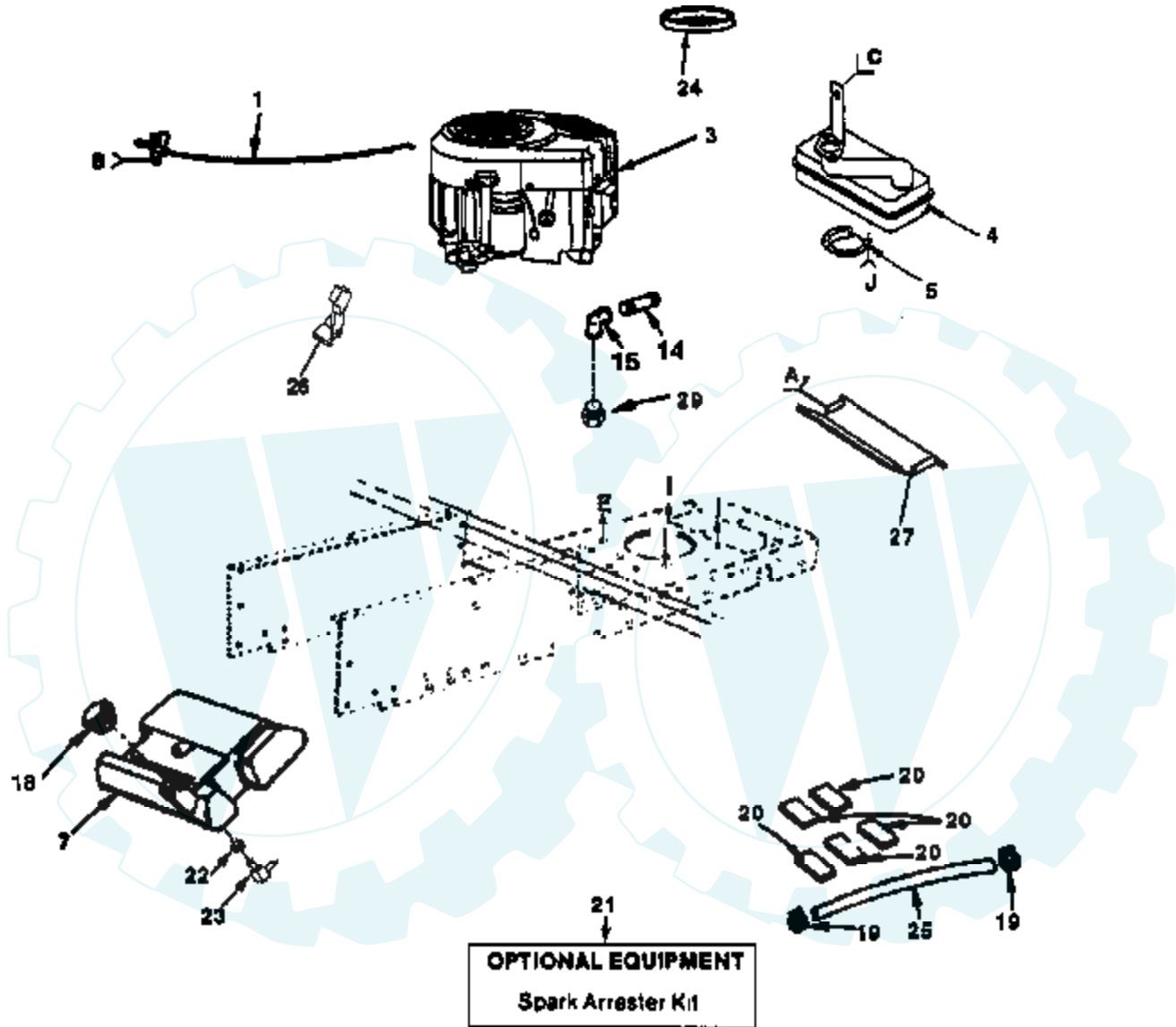
ELECTRICAL



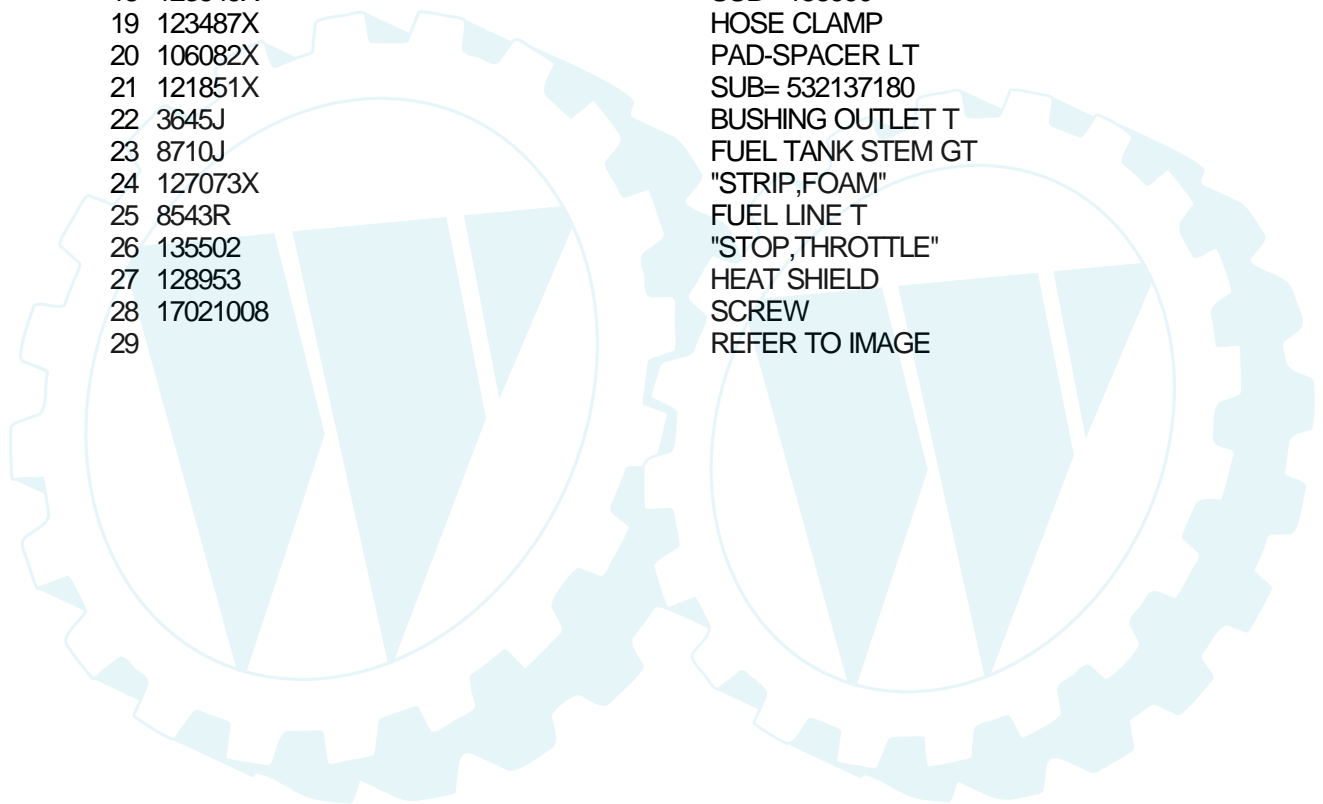
Ref #	Part Number	Qty	Description
1	123198X		SUB= 146525
2	19091016		WASHER
3	102476X		SUB= 150109
4	72240460		BOLT
5	121537X		SUB= 123899X
6	3603J		SUB= 7603J
7	135150		SUB= 532135150
8	127441X		SUB= 136850
9	4152J		HEADLAMP BULB
10	7604J		SUB= 7697J
12	104445X		SWITCH-INTER. GT
13	4799J		"CABLE T, BATTERY"
14	102972X		SUB= 918102972X
15	124211X		NUT IGNITION
16	122147X		KEY
17	109081X		SUB= 146154
18	110712X		SWITCH LT
20	131563		SUB= 154336
21	4207J		CABLE T
25	109596X		HOSE CLAMP T
30	74760412		BOLT LT
31	73220400		SUB= 50675
33	10040400		LOCKWASHER
34	108824X		FUSE HYT
35	9433R		AMMETER T
36	131708		SUB= 532131708
40	102501X		SUB= 141940
41	235R		CLIPT
42	4022J		HEX NUT T
43	126016X		SUB= 4021J
44	123620X		SUB= 141226
45	121305X		SWITCH SEAT
46	121264X		"CAP,BATTERY "
47	4206J		CABLE-BATTERY T
48	108236X		BRACKET LT
49	2751R		CLIP T

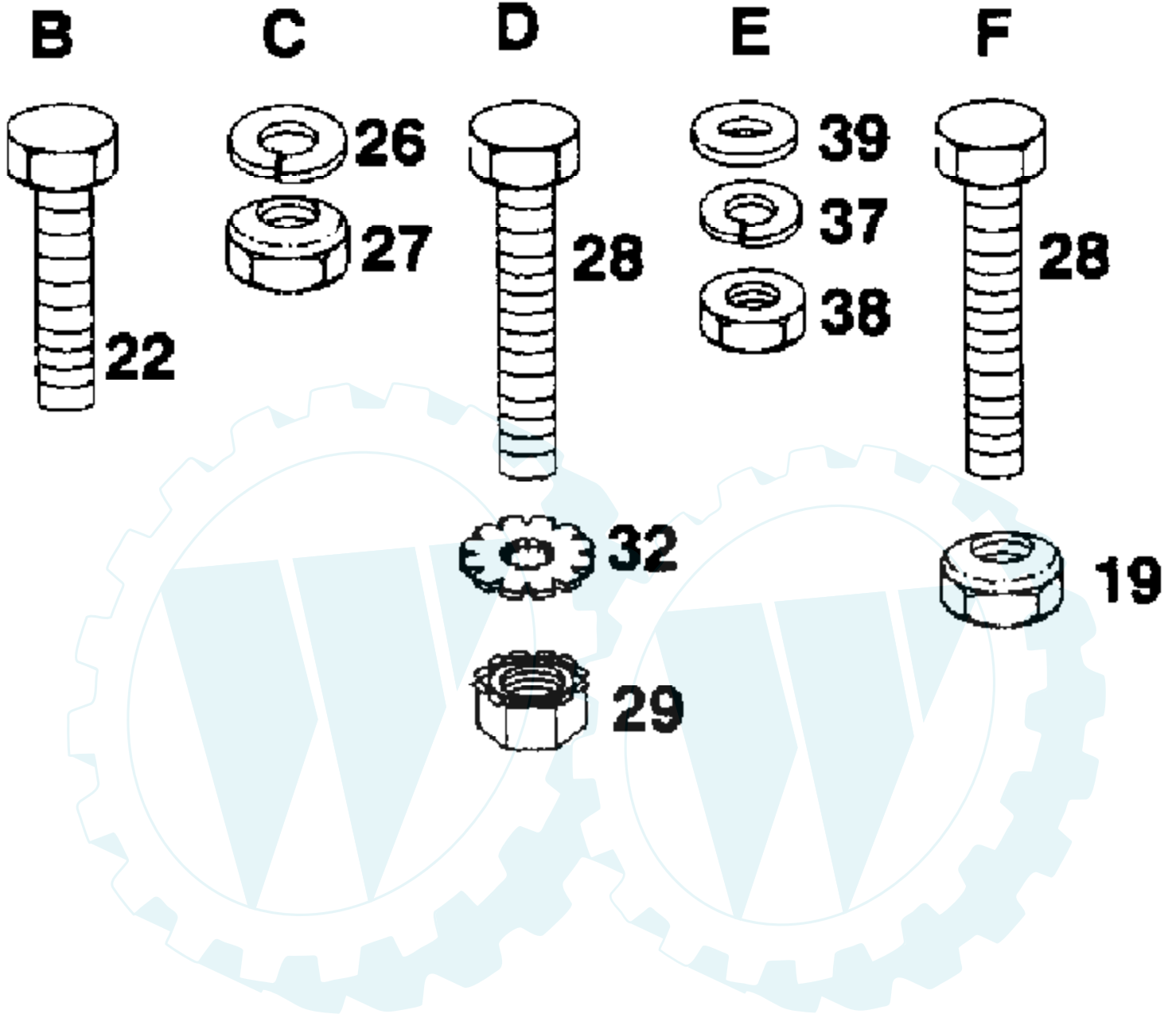
### 14 HP 42" TRACTOR - - MODEL NUMBER YE1442A

#### ENGINE

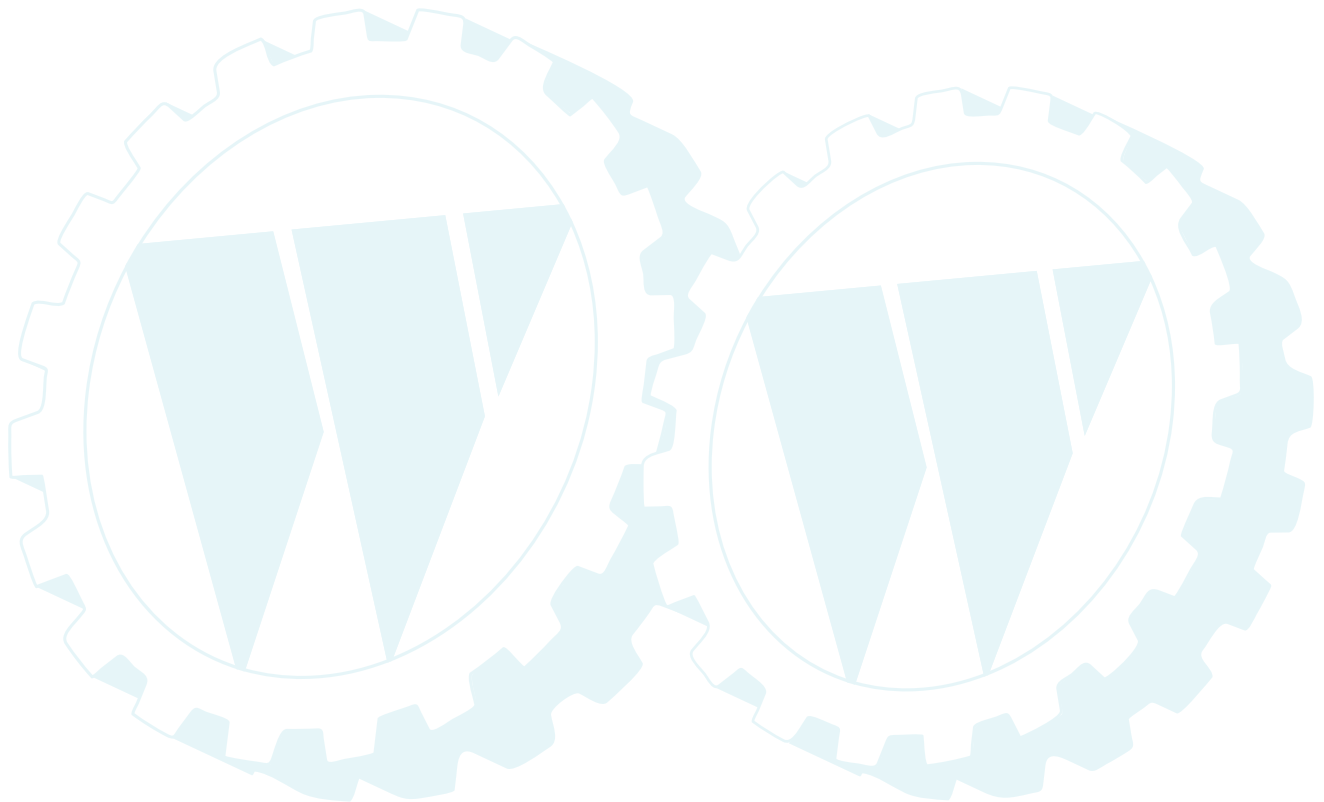


Ref #	Part Number	Qty	Description
1	132751		SUB= 134372
2	17720410		SCREW LT
3			REFER TO IMAGE
4	124196X		MUFFLER
5	101326L		DEFLECTOR.222573
6	17030808		SUB= 17030814
7	106020X		SUB= 151346
8	10040500		LOCKWASHER
9	74760508		BOLT
14	13280336		PIPE NIPPLE LT
15	13200300		ELBOW
16	11050500		LOCKWASHER.5/16.E
17	M740108025		"BOLT,HEX"
18	123549X		SUB= 158990
19	123487X		HOSE CLAMP
20	106082X		PAD-SPACER LT
21	121851X		SUB= 532137180
22	3645J		BUSHING OUTLET T
23	8710J		FUEL TANK STEM GT
24	127073X		"STRIP,FOAM"
25	8543R		FUEL LINE T
26	135502		"STOP,THROTTLE"
27	128953		HEAT SHIELD
28	17021008		SCREW
29			REFER TO IMAGE

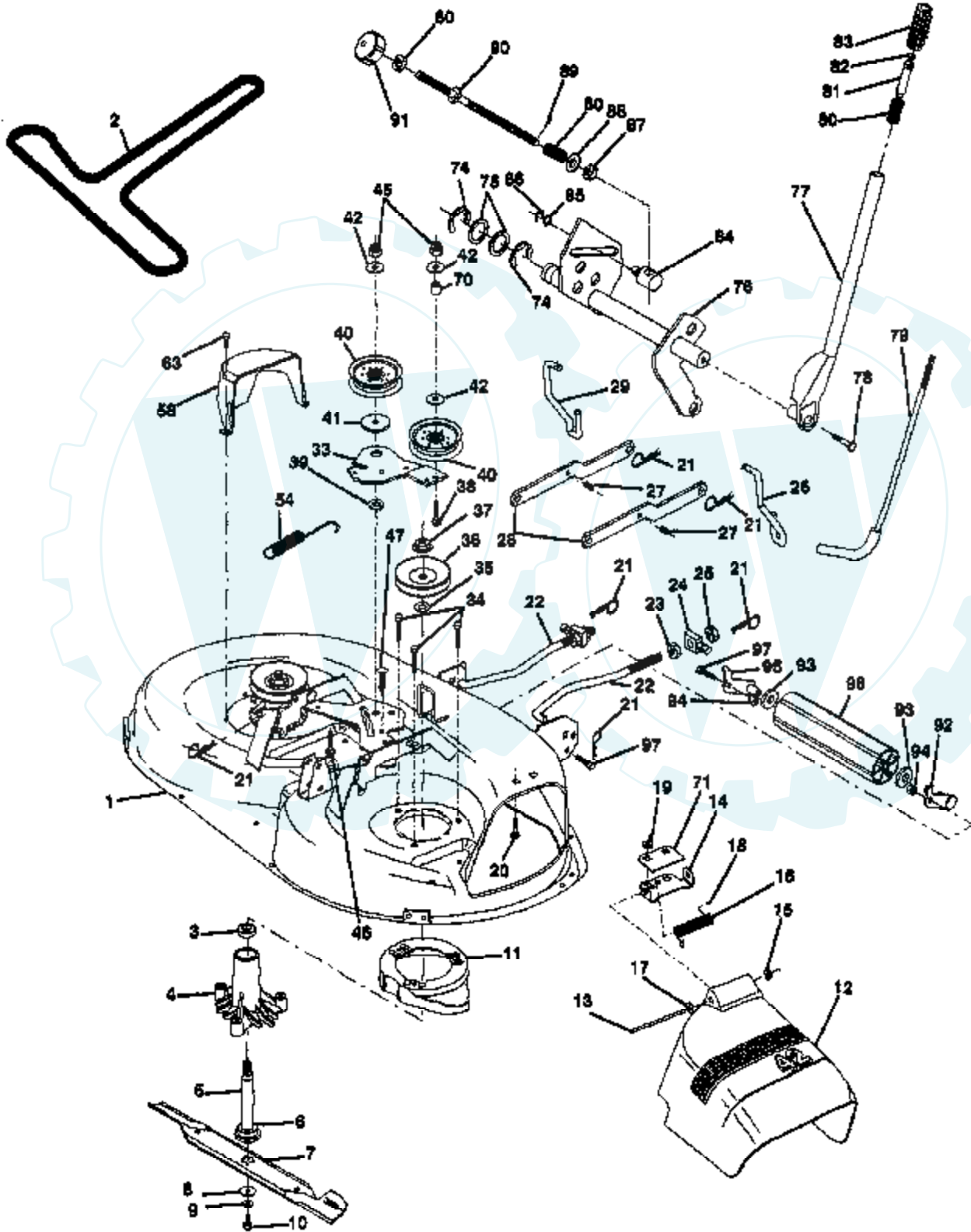




Ref #	Part Number	Qty	Description
19	73680400		SUB= 73690400
22	17021008		SCREW
26	10090400		SUB= 10040400
27	73350400		NUT
28	74780408		BOLT
29	73510400		NUT
32	11050400		LOCKWASHER
37	10101000		SUB= 10071000
38	73911000		NUT
39	19070818		WASHER



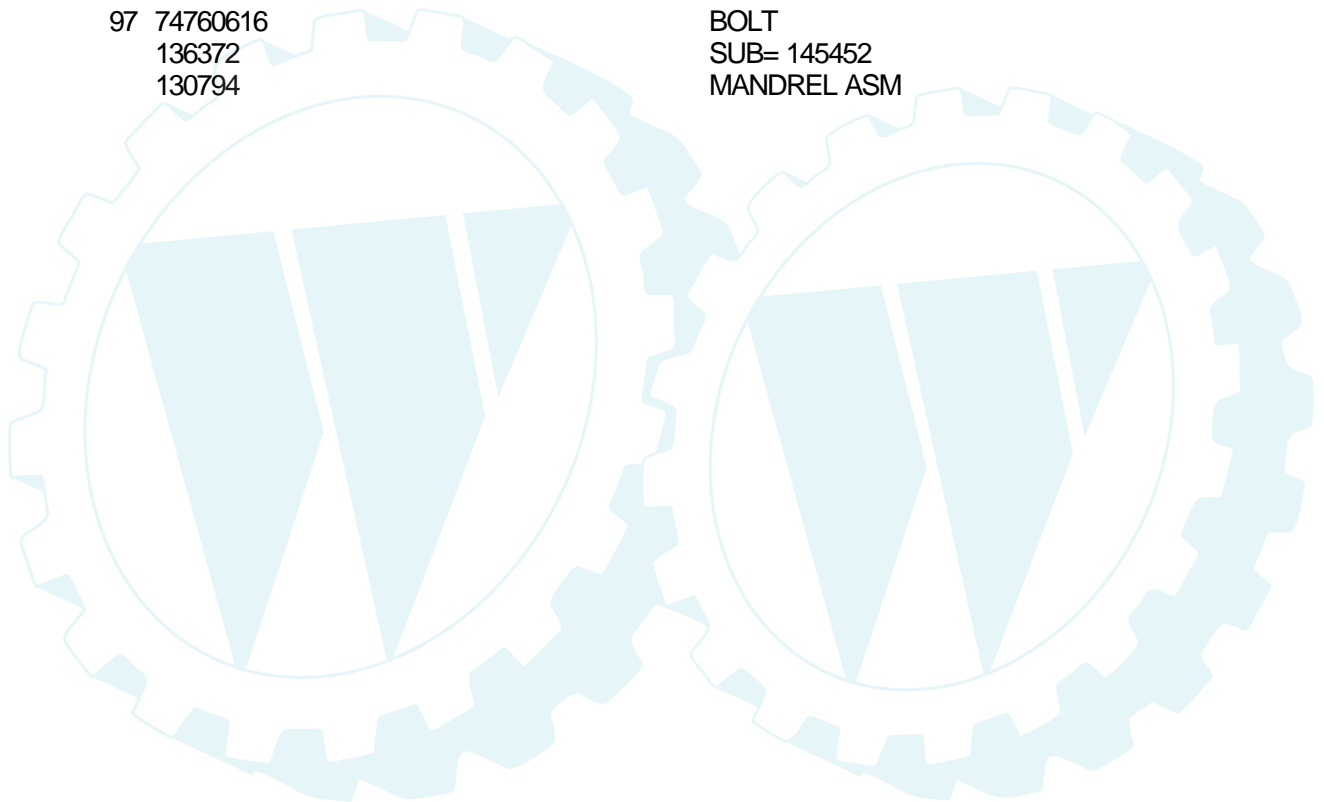
**14 HP 42" RIDING LAWN TRACTOR -- MODEL NUMBER YE1442A**  
**42" MOWER DECK**



Ref #	Part Number	Qty	Description
1	130970		SUB= 145338
2	130969		BELT-V.92.4.MWR
3	110485X		BEARING
4	128774		HSG ASM MANDREL
5	133172		SUB= 137646
6	129895		BEARING.BALL
7	127843		SUB= 138498
8	129962		WASHER BLADE
9	10030600		SUB= 10040600
10	850857		BLADE BOLT
11	128961		SUB= 140329
12	130968		DEFLECTOR.SHIELD
13	131491		HINGE ROD
14	131267		DEFLECTOR BRKT
15	110452X		NUT PUSH M
16	123713X		SPRING TORSION
17	19111016		WASHER
18	105304X		CAP-SLEEVE LT
19	73680500		SUB= 73690500
20	72140506		BOLT
21	4939M		SUB= 85902
22	127218		LINK.FRONT
23	73350800		NUT
24	130171		TRUNION
25	73800800		NUT.LK.W/WSH.1/2.
26	135388		LIFT LINK RH
27	135563		"PIN,SPRING"
28	130833		SUSP ARM ASM REAR
29	134619		LINK LIFT LH
33	133844		IDLER ARM
34	78158		SUB= 17580520
35	129963		WASHER
36	129861		SUB= 153535
37	73050900		SUB= 139729
38	72110622		BOLT
39	133943		HARDENED WASHER
40	131494		FLAT IDLER PULLEY
41	122052X		SPACER RETAINER
42	19131316		WASHER
45	73680600		SUB= 73690600
46	72110616		BOLT
47	133835		XMAS TREE FASTNER
54	131950		SPRING.EXTENSION
57	133504		CLUTCH ROD SECOND
58	131857		SUB= 140088
60	73350600		NUT
63	17720410		SCREW LT
70	132823		SUB= 532132823
71	134753		STIFFENER BRKT
74	12000002		SUB= 2225J
75	19292016		WASHER
76	131925		LIFT SHAFT ASM
77	121002X		SUB= 123096X
78	74780624		"BOLT,HEX"
79	121006X		LEVER ROD LT
80	2876H		SPRING T
81	122364X		SUB= 125925X
82	124526X		SUB= 125925X

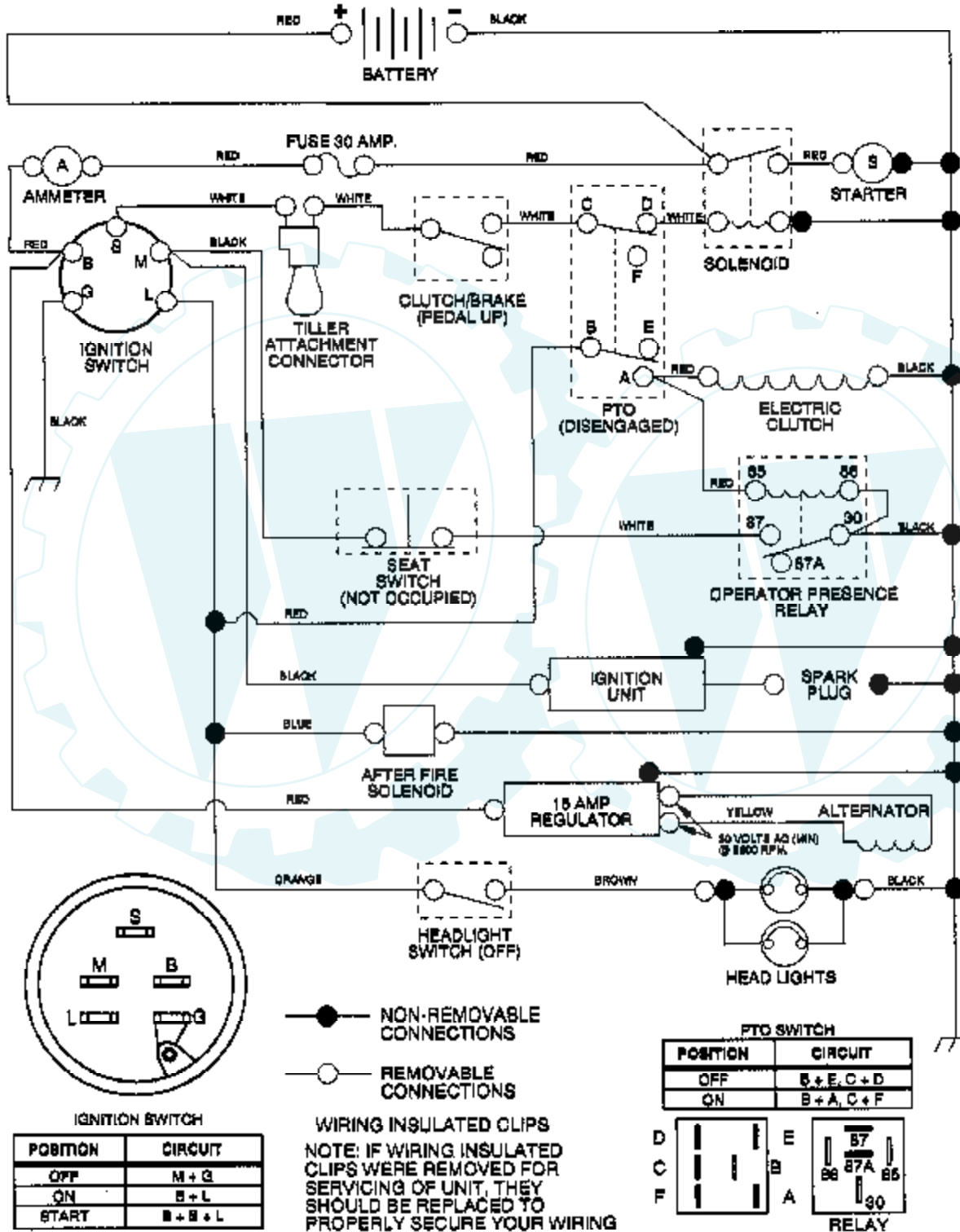


Ref #	Part Number	Qty	Description
83	109413X		GRIP
84	110810X		TRUNION LT
85	19151216		WASHER
86	12000037		KLIP RING
87	110807X		NUT T
88	19131016		WASHER
89	76020308		SUB= 3145
90	110729X		ROD LIFT LT
91	100734K		SUB= 138057
92	132273		SUB= 532132273
93	19171416		WASHER
94	73680600		SUB= 73690600
95	132274		SUB= 532132274
96	132264		SUB= 532132264
97	74760616		BOLT
	136372		SUB= 145452
	130794		MANDREL ASM



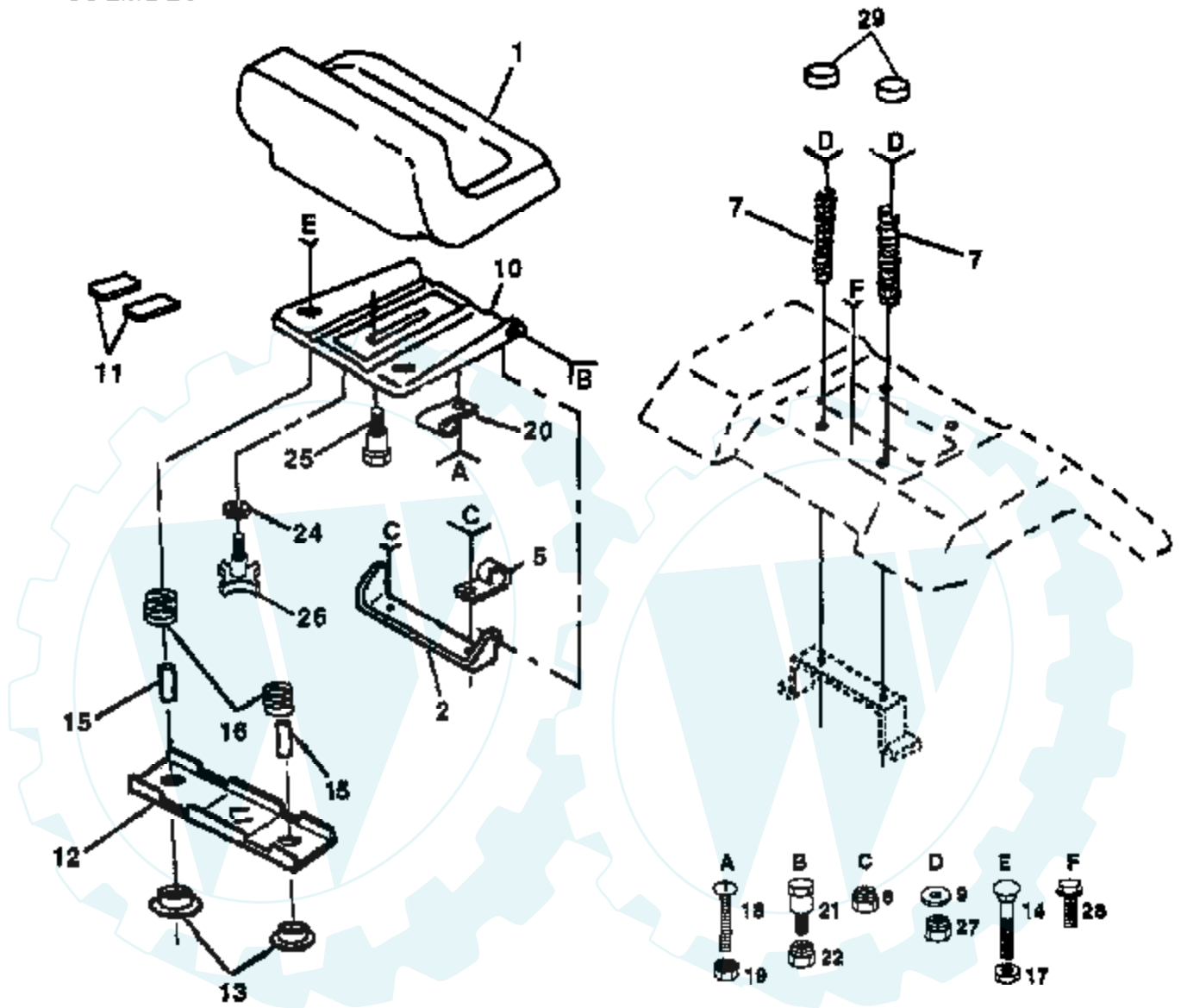
# RIDING LAWN TRACTOR - MODEL NUMBER YE1442A

## SCHEMATIC



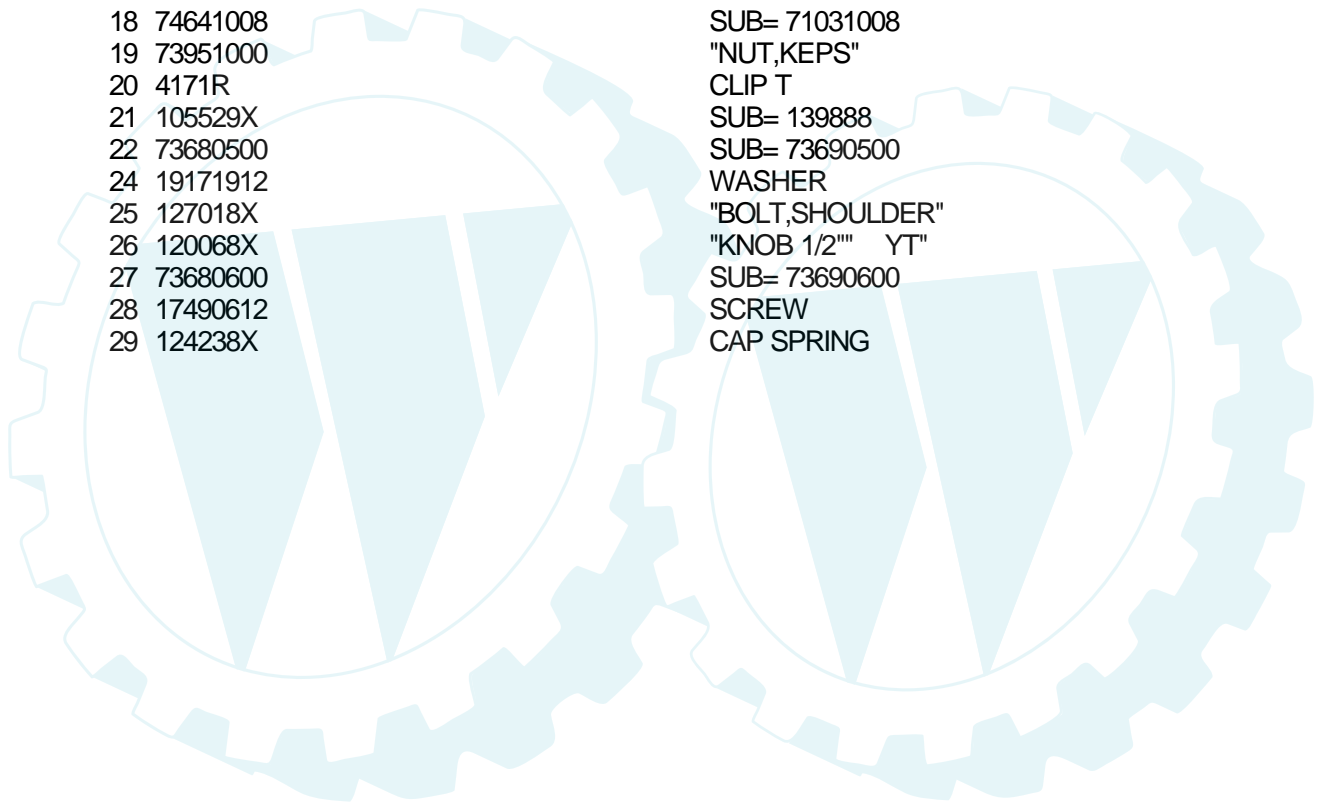
### 14 HP 42" TRACTOR - - MODEL NUMBER YE1442A

#### SEAT ASSEMBLY



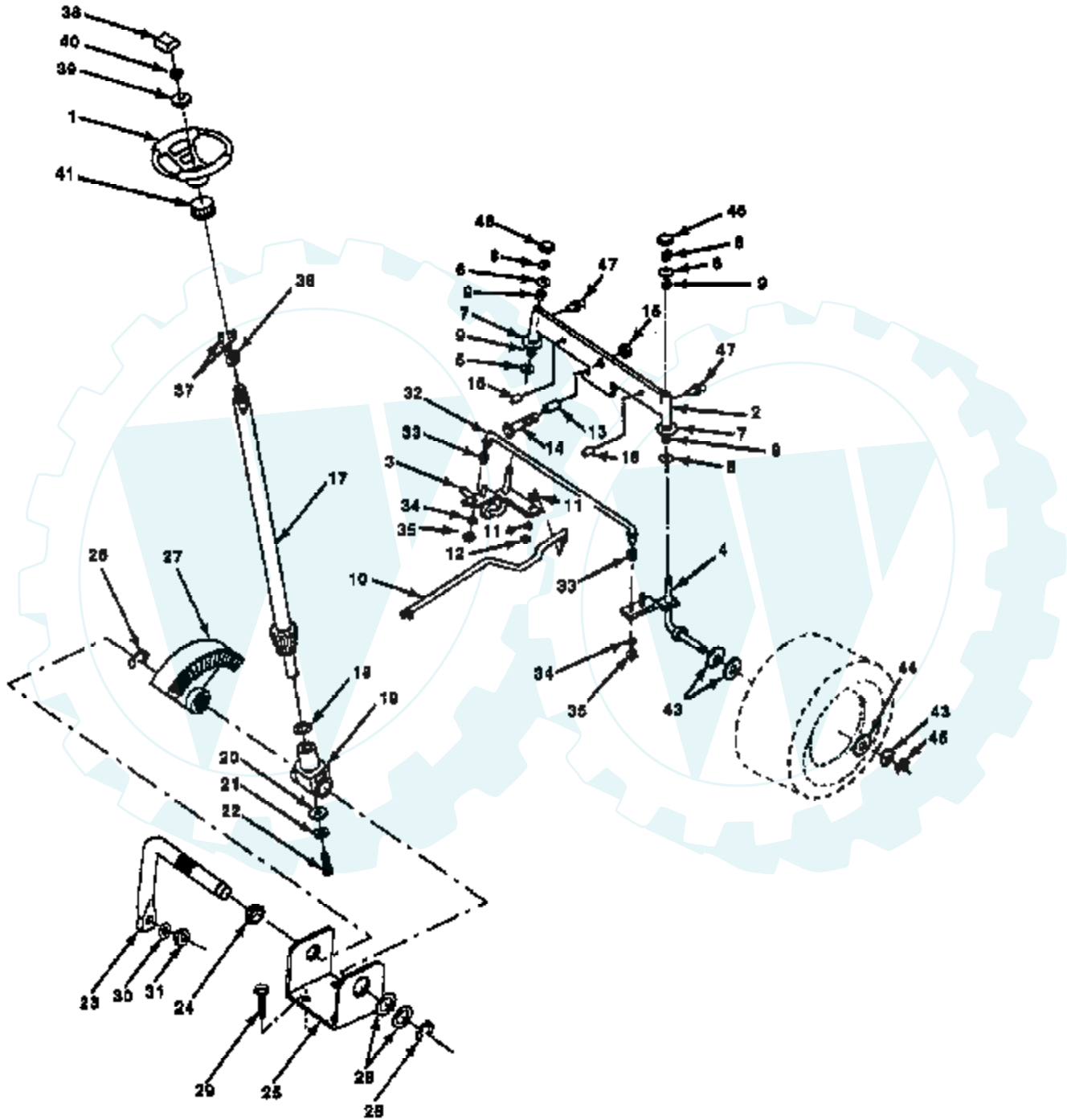
**NOTE:** All component dimensions given in U.S. inches -  
1 inch = 25.4 mm.

Ref #	Part Number	Qty	Description
1	127428		SUB= 140119
2	126656X		SUB= 140551
5	2751R		CLIP T
6	73680600		SUB= 73690600
7	124181X		SPRING COMPRESSIO
9	19131614		WASHER
10	131451		SUB= 155925
11	121251X		STRIP FORM
12	121246X		BRKT SWITCH
13	121248X		BUSHING
14	72050411		SUB= 872050411
15	134300		SPLIT SPACER
16	121250X		SPRING
17	123976X		SUB= 73900400
18	74641008		SUB= 71031008
19	73951000		"NUT,KEPS"
20	4171R		CLIP T
21	105529X		SUB= 139888
22	73680500		SUB= 73690500
24	19171912		WASHER
25	127018X		"BOLT,SHOULDER"
26	120068X		"KNOB 1/2" YT"
27	73680600		SUB= 73690600
28	17490612		SCREW
29	124238X		CAP SPRING



### 14 HP 42" TRACTOR - - MODEL NUMBER YE1442A

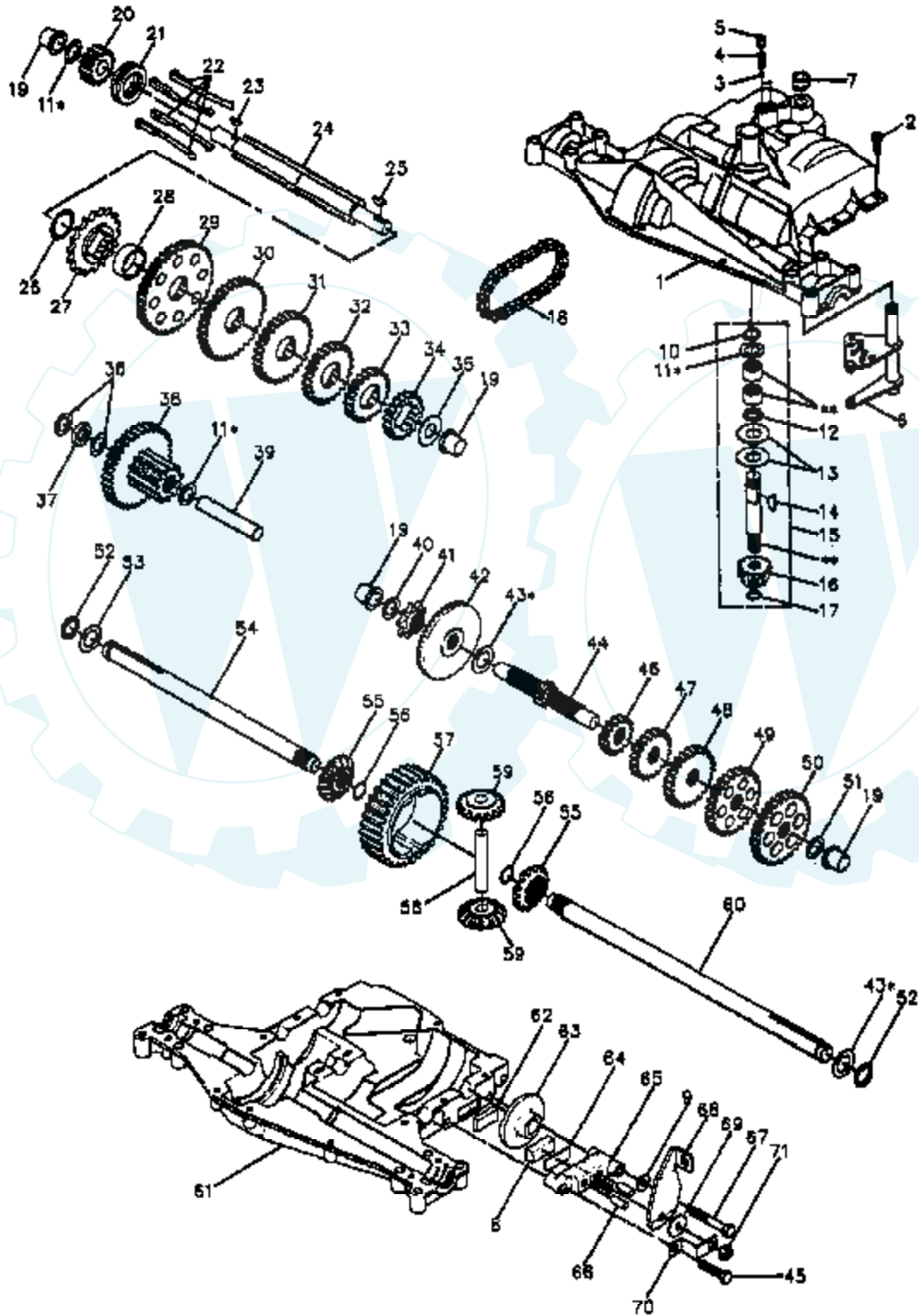
#### STEERING ASSEMBLY



Ref #	Part Number	Qty	Description
1	121472X		SUB= 150546
2	133988		SUB= 142033
3	135227		SPINDLE LH
4	135228		SPINDLE RH
5	6266H		WASHER .T
6	121748X		WASHER
7	19272016		WASHER
8	12000029		RING
9	3366R		COL. SRTG. BEAR.
10	130468		SUB= 532130468
11	10040600		LOCKWASHER
12	73610600		SUB= 7810H
13	110438X		BEARING
14	74011056		BOLT HEX 5/8-11
15	73601000		SUB= 73901000
16	132624		AXLE PIN
17	128758		STEERING SHAFT
18	57079		THRUST WASHER
19	124035X		SUPPORT.SHAFT
20	126684X		SUB= 532126684
21	10040400		LOCKWASHER
22	71070410		"SCREW,SPECIAL"
23	127501		SUB= 918127501
24	109816X		NYLINER T
25	124036X		"BRKT,STEERING"
26	12000029		RING
27	124034X		SUB= 136874
28	6266H		WASHER .T
29	17490612		SCREW
30	10040600		LOCKWASHER
31	73610600		SUB= 7810H
32	130467		TIE ROD
33	19111216		WASHER M
34	10040500		LOCKWASHER
35	73810500		NUT.LOCK.5/16-24
36	1554J		SUB= 155108
37	17431008		SUB= 98000165
38	126584X		INSERT, STEERING WHEEL CAP
39	100712K		WASHER
40	73940800		SUB= 73360800
41	100711L		ADAPTER LT
43	121749X		WASHER
44	121748X		WASHER
45	12000029		RING
46	121232X		CAP
47	6855M		ZERK M

**14 HP 42" TRACTOR - - MODEL NUMBER YE1442A  
DANA TRANSAXLE - MODEL NUMBER 4360-19**

**TRANSAXLE**



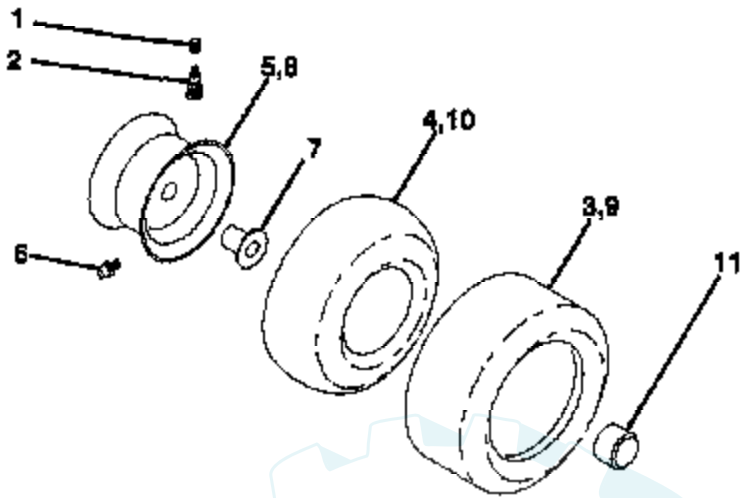
Ref #	Part Number	Qty	Description
1	3865-A		HOUSING UPPER
2	1919		SCREW
3	1151		BALL DETENT
4	3626		SPRING, DETENT
5	3623		SCREW, SET
6			REFER TO IMAGE
7			REFER TO IMAGE
8	3907		PUCK, FRICTION
9	3906		WASHER PLAIN
10	1099		RING RETAINING
11	1959		WASHER PLAIN
	1441		WASHER PLAIN
	1423		WASHER, PLAIN .632 X 1.00 X .026
	1082		WASHER PLAIN
	1424		WASHER PLAIN
	1068		WASHER PLAIN
	1425		WASHER PLAIN
	1358		WASHER PLAIN
	1145		WASHER, PLAIN .632 X 1.00 X .060
	1319		WASHER PLAIN
12	3312		O-RING
13	3876		WASHER, PLAIN .632 X 1.38 X .046
14	1374		KEY WOODRUFF #9
15	4171		ASSY KIT INPUT SHAFT
16	3725		PINION BEVEL 14 TEETH
17	3624		RING, RETAINING
18	3625		CHAIN, 24 PITCHES
19	1542		BEARING, FLANGE
20			REFER TO IMAGE
21	3631		COLLAR CLUTCH
22	3828		KEY CLUTCH
23	1369		KEY WOODRUFF #3
24			REFER TO IMAGE
25	1375		KEY, WOODRUFF, #61
26	3627		RING, RETAINING
27	3830		SPROCKET, 18 TEETH
28	3841		SPACER
29			REFER TO IMAGE
30	3785		GEAR, SPUR, 35 TEETH
31	3867		GEAR, SPUR, 30 TEETH
32	3783		GEAR, SPUR, 25 TEETH
33	3869		GEAR, SPUR, 22 TEETH
34	3741		GEAR SPUR
35	3628		WASHER, PLAIN .640 X 1.37 X .061
36	1423		WASHER, PLAIN .632 X 1.00 X .026
37	3422		SPACER .630 X 1.00 X .169
38			REFER TO IMAGE
39	3967		SHAFT, IDLER
40			REFER TO IMAGE
41	3645		SPROCKET, 9 TEETH
42	3589		GEAR, BEVEL, 42 TEETH
43	3749		WASHER PLAIN
	3652		WASHER PLAIN
	3693		WASHER PLAIN
	3653		WASHER PLAIN
	3408		WASHER PLAIN
	3732		WASHER PLAIN
	3184		WASHER, PLAIN .758 X 1.25 X .031



Ref #	Part Number	Qty	Description
	3733		WASHER PLAIN
	3198		WASHER PLAIN
	3734		WASHER PLAIN
	3735		WASHER PLAIN
44			REFER TO IMAGE
45	3724		SCREW TAPPING
46	3707		GEAR SPUR, 15 TEETH
47	3866		GEAR, SPUR, 20 TEETH
48	3719		GEAR, SPUR, 25 TEETH
49	3868		GEAR, SPUR, 28 TEETH
50	3683		GEAR, SPUR, 31 TEETH
51	1145		WASHER, PLAIN .632 X 1.00 X .060
52	3191		SEAL FELT
53	3180		WASHER PLAIN
54	3880		AXLE LEFT HAND
55	3871		GEAR MITER 15 TEETH
56	3656		RING, RETAINING
57	3839		GEAR, SPUR, 32 TEETH
58	3919		SHAFT, CROSS
59	3726		GEAR, MITER, 15 TEETH
60	3881		AXLE, R.H.
61	3864-B		HOUSING LOWER
62	3920		PUCK, FRICTION
63	3276		DISC, BRAKE
64	3758		SPACER
65	3916		JAW, BRAKE
66	3843		PIN, DOWEL
67	3915		SCREW TAPPING
68	3768		LEVER, ACTUATING
69	3760		WASHER, PLAIN .321 X 1.00 X .055
70	3917		BRACKET, ANTI-ROTATION
71	3847		LOCKNUT 5/16-24
72	4300		GREASE

**WHEELS & TIRES**

**14 HP 42" TRACTOR - - MODEL NUMBER YE1442A**



**NOTE:** All component dimensions given in U.S. inches - 1 inch = 25.4 mm.

Ref #	Part Number	Qty	Description
1	59192		VALVE CAP
2	65139		VALVE STEM LT
3	106222X		SUB= 122073X
4	59904		TUBE.5.3/4.5/6
5	106732X361		SUB= 106732X417
6	278H		FITTING LT
7	9040H		"FLANGE, BEARING"
8	106108X361		SUB= 106108X417
9	106268X		SUB= 122074X
10	7152J		TUBE.18X9.5-8
11	104757X		HUB CAP

