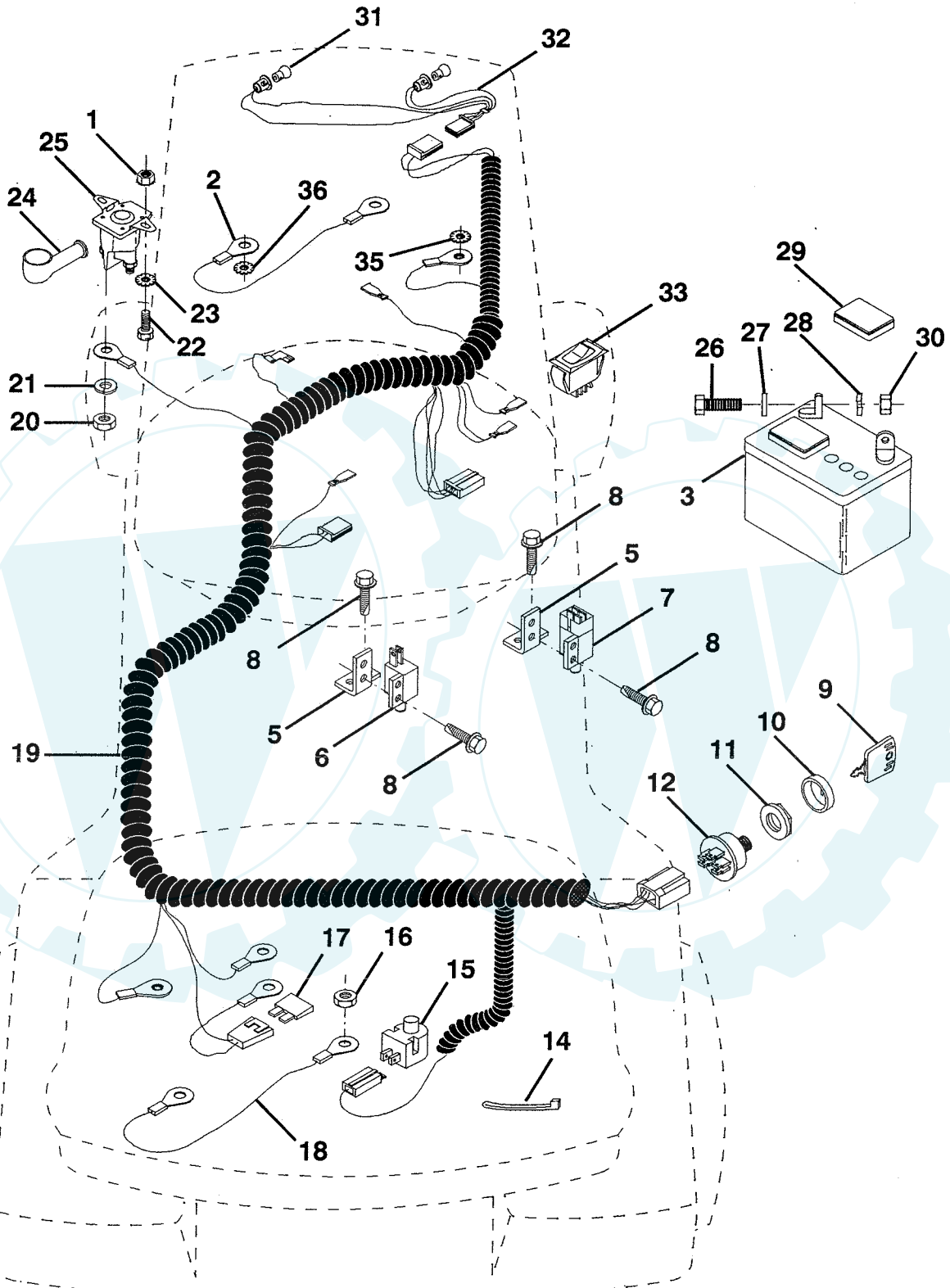


REPAIR PARTS

www.ersatzteil-service.de

12HP 36 " TRACTOR - MODEL NUMBER YE1236E

ELECTRICAL



REPAIR PARTS

www.ersatzteil-service.de

12HP 36 " TRACTOR - MODEL NUMBER YE1236E

ELECTRICAL

KEY NO.	PART NO.	DESCRIPTION	KEY NO.	PART NO.	DESCRIPTION
1	73510400	Nut, Hex, Keps 1/4-20	21	10090400	Washer, Lock 1/4
2	108423X	Assembly, Cable	22	74780408	Bolt, Hex, Fin. 1/4-20 UNC x 1/2 Grade 5
3	121265X	Battery	23	11050400	Washer, Lock External Tooth 1/4
5	108236X	Bracket, Switch	24	131563	Cover, Terminal
6	104445X	Switch, Interlock	25	138406	Solenoid
7	109553X	Switch, Interlock (4-terminal)	26	74760412	Bolt, Hex Head 1/4-20 UNC x 3/4
8	17021008	Screw, Hex Head, Tapping #10-24 x 1/2	27	19091016	Washer 9/32 x 5/8 x 16
9	122147X	Key, Molded	28	10040400	Washer, Lock 1/4
10	123620X	Cover, Ignition Key	29	121264X	Cap, Battery
11	124211X	Nut, Ignition	30	73220400	Nut, Hex, Fin. 1/4-20 UNC
12	4406R	Switch, Ignition	31	7662J	Bulb, Light
14	7192J	Tie, Cable	32	136849	Harness, Socket Light
15	121305X	Switch, Plunger	33	110712X	Switch, Light
16	73510500	Nut, Hex, Keps 5/16-18	35	11050600	Washer, Tooth, Ext. 3/8
17	108824X	Fuse	36	11150400	Washer, Lock Internal Tooth 1/4
18	125353	Assembly, Cable			
19	132222	Harness, Ignition			
20	73350400	Nut, Hex, Jam 1/4-20			

NOTE: All component dimensions given in U.S. inches.
1 inch = 25.4 mm

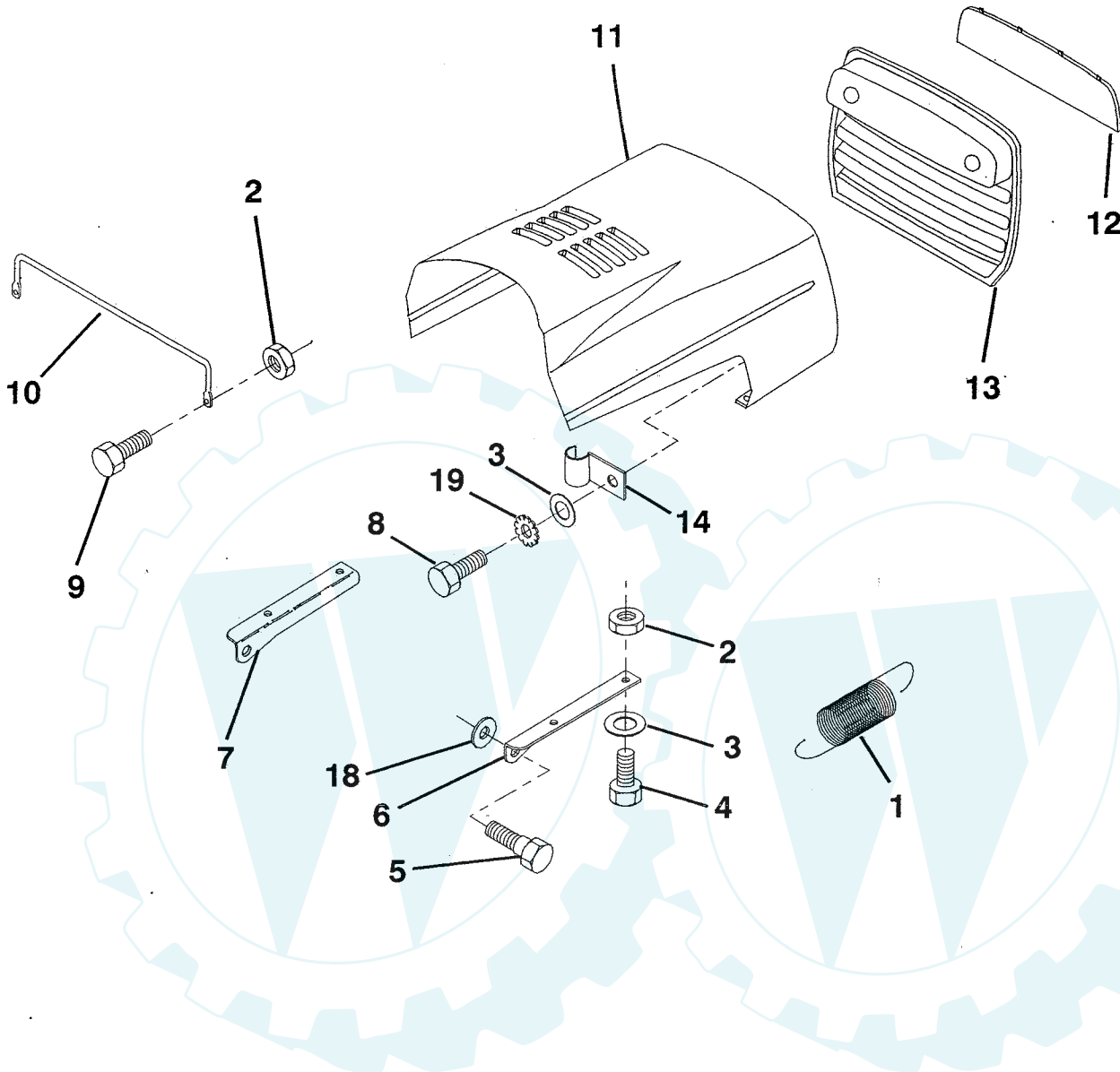
HARDWARE SHOWN LARGER FOR EASIER IDENTIFICATION

REPAIR PARTS

www.ersatzteil-service.de

12 HP 36" TRACTOR - - MODEL NUMBER YE1236E

HOOD



KEY NO.	PART NO.	DESCRIPTION
1	124657X	Spring, Extension
2	73510400	Nut, Hex, Keps 1/4-20 UNC
3	19091016	Washer 9/32 x 5/8 x 16 Gauge
4	74780410	Bolt, Hex, Fin 1/4-20 UNC x 5/8 Grade 5
5	126675X	Bolt, Shoulder
6	122549X	Bracket, Hood, R.H.
7	122548X	Bracket, Hood, L.H.
8	17411310	Screw, Hex, Fin #13-16 Hi-Lo x 5/8
9	74780412	Bolt, Hex, Fin 1/4-20 x 3/4 Grade 5

KEY NO.	PART NO.	DESCRIPTION
10	123693X	Brace, Hood
11	132918X505	Hood
12	122035X	Lens
13	127029X	Grill
14	2751R	Clip, Fuel Line
18	19111116	Washer, 11/32 x 11/16 x 16 Ga.
19	11030400	Washer, Lock Int./Ext. Tooth 1/4

NOTE: All component dimensions given in U.S. inches.
1 inch = 25.4 mm

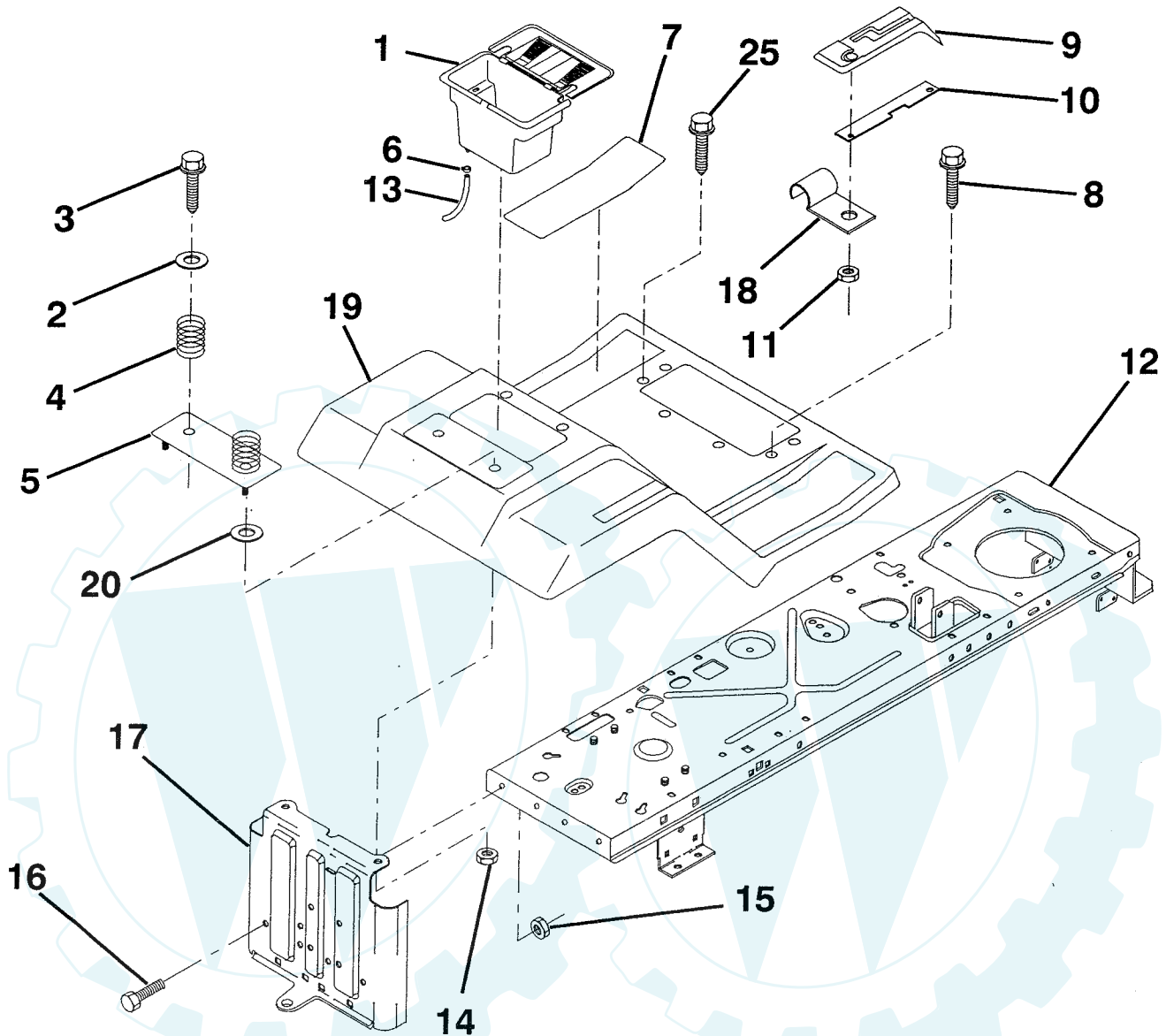
HARDWARE SHOWN LARGER FOR EASIER IDENTIFICATION

REPAIR PARTS

www.ersatzteil-service.de

12 HP 36" TRACTOR -- MODEL NUMBER YE1236E

FENDER / CHASSIS



KEY NO.	PART NO.	DESCRIPTION
1	129965	Case, Battery
2	19132012	Washer 13/32 x 1-1/4 x 12 Gauge
3	17490612	Screw, Hex Washer Head, Thd. Roll. 3/8-16 x 3/4
4	124181X	Spring, Compression, Seat
5	127115X505	Plate, Battery
6	109596X	Clamp, Hose
7	124144X	Pad, Footrest
8	17490512	Screw, Hex Washer Head, Thd. Roll. 5/16-18 x 3/4
9	139003	Console, Shift Control
10	124307X	Bar, Shift Lock

KEY NO.	PART NO.	DESCRIPTION
11	124346X	Nut, Self-Threading 3/16
12	137097	Assembly, Frame
13	109238X	Tube, Battery Drain
14	73510400	Nut, Hex, Keps 1/4-20
15	73680500	Nut, Crownlock 5/16-18
16	74760512	Bolt, Hex 5/16-18 UNC x 3/4
17	127880	Drawbar
18	126470X	Clip, Insulated
19	128083X505	Fender/Footrest
20	19091413	Washer 9/32 x 7/8 x 13 Gauge

NOTE: All component dimensions given in U.S. inches.
1 inch = 25.4 mm

HARDWARE SHOWN LARGER FOR EASIER IDENTIFICATION

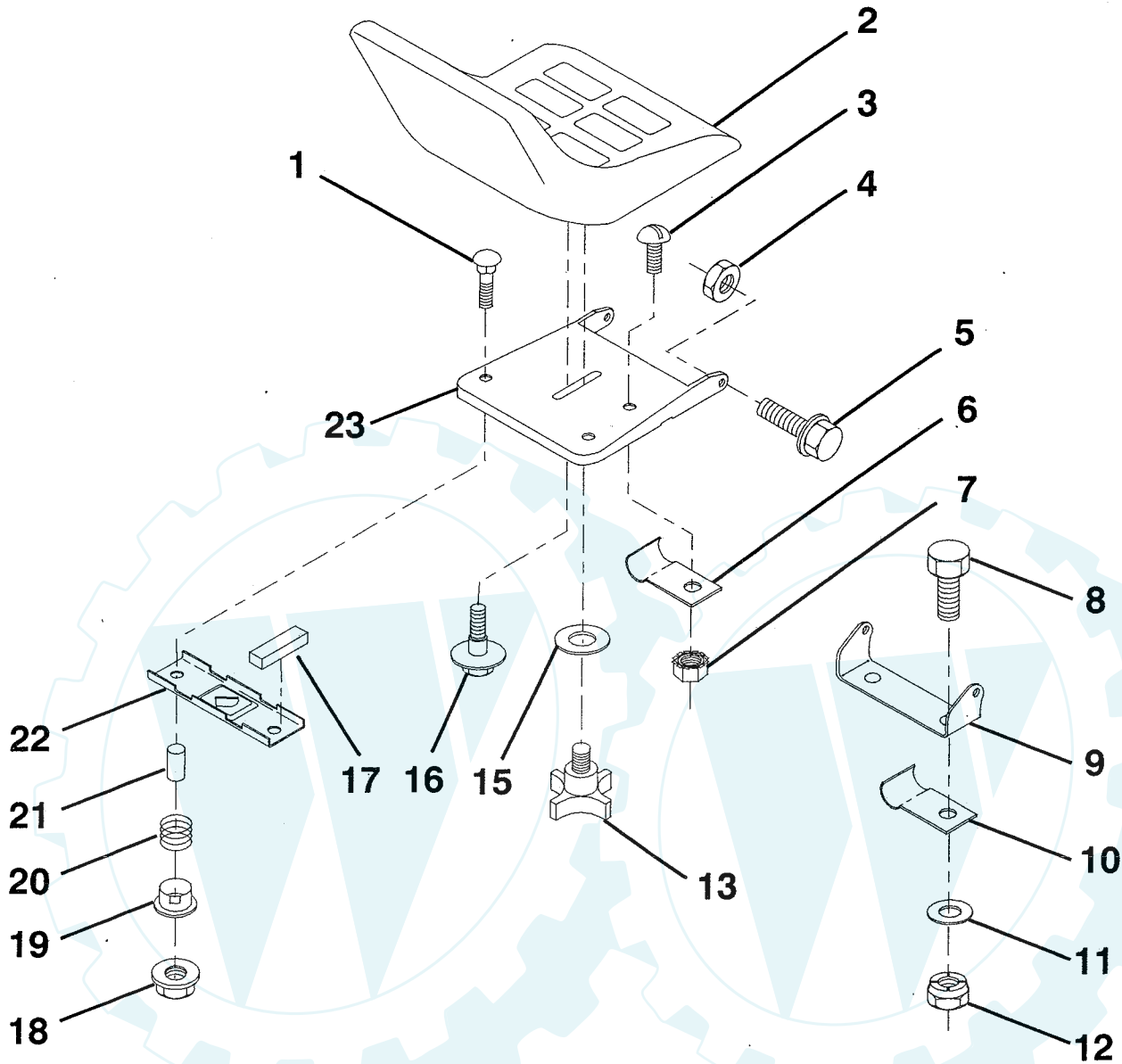
Der Ersatzteilspezialist im Internet.

REPAIR PARTS

www.ersatzteil-service.de

12 HP 36" TRACTOR - - MODEL NUMBER YE1236E

SEAT



KEY NO.	PART NO.	DESCRIPTION
1	72050411	Bolt, Carriage 1/4-20 x 1-3/8
2	127427	Seat
3	74641008	Screw, Slotted Pan Head #10-32 x 1/2
4	73680500	Nut, Crown lock 5/16-18
5	105529X	Bolt, Shoulder 5/16-18 UNC
6	4171R	Clip, Insulated
7	73951000	Nut, Keps #10-32 UNF
8	74760612	Bolt, Hex, Fin 3/8-16 UNC x 3/4
9	126656X	Bracket, Pivot, Seat
10	126471X	Clip, Insulated
11	19133210	Washer 13/32 x 2 x 10 Gauge
12	73680600	Nut, Crown lock 3/8-16 UNC

KEY NO.	PART NO.	DESCRIPTION
13	120068X	Knob, Seat 1/2-13 UNC
15	19171912	Washer 17/32 x 13/16 x 12 Gauge
16	127018X	Bolt, Shoulder
17	121251X	Strip, Foam
18	123976X	Locknut, Hex, Large, Flange
19	121248X	Bushing, Snap
20	121250X	Spring, Compression
21	134300	Spacer, Split, Large .28 ld. x .96
22	121246X	Bracket, Switch, Mounting
23	131451	Pan, Seat

NOTE: All component dimensions given in U.S. inches.
1 inch = 25.4 mm

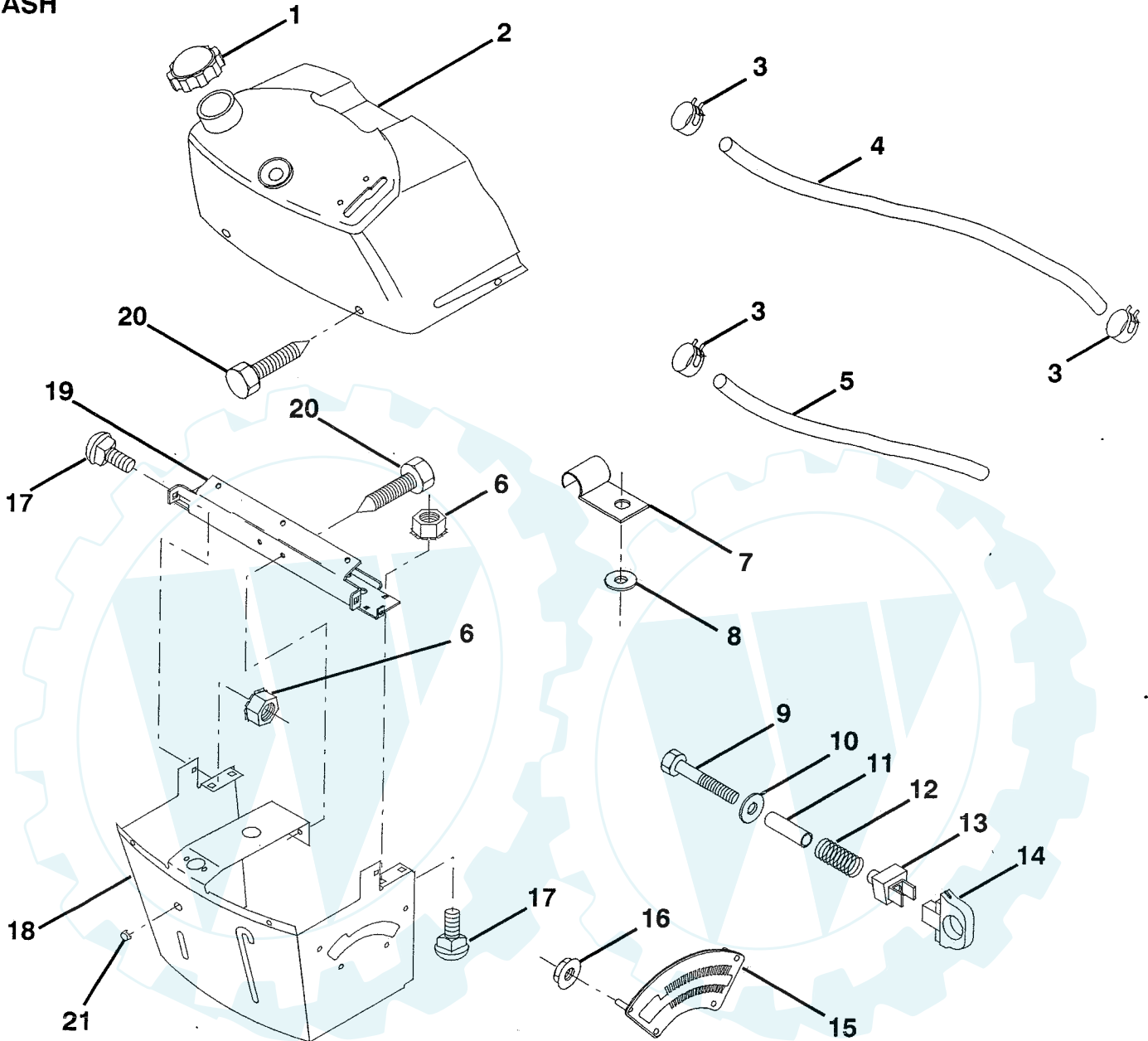
HARDWARE SHOWN LARGER FOR EASIER IDENTIFICATION

REPAIR PARTS

www.ersatzteil-service.de

12 HP 36" TRACTOR - - MODEL NUMBER YE1236E

DASH



KEY NO.	PART NO.	DESCRIPTION
1	132734	Cap, Fuel
2	138392	Assembly, Dash & Fuel Tank
3	123487X	Clamp, Hose
4	8544R	Line, Fuel
5	8548R	Line, Fuel
6	73510400	Nut, Hex, Keps 1/4-20
7	2751R	Clip, Fuel Line
8	19091216	Washer 9/32 x 3/4 x 16 Gauge
9	74760428	Bolt, Hex, Fin. 1/4-20 x 1-3/4
10	19091413	Washer 11/32 x 11/16 x 16 Gauge
11	121249X	Spacer, Split
12	3720R	Spring

KEY NO.	PART NO.	DESCRIPTION
13	126450X	Clip, Height Adjustment
14	126115X	Knob, Height Stop
15	122023X	Adjustment, Quadrant Height
16	124346X	Nut, Self-Threading 3/16-18
17	72110404	Bolt, Carriage 1/4-20 x 1/2 Grade 5
18	130745	Support Assembly, Dash
19	134744	Brace, Cross
20	17060408	Screw, Tap R 1/4-20 x 1/2
21	134014	Plug, Dome

NOTE: All component dimensions given in U.S. inches.
1 inch = 25.4 mm

HARDWARE SHOWN LARGER FOR EASIER IDENTIFICATION

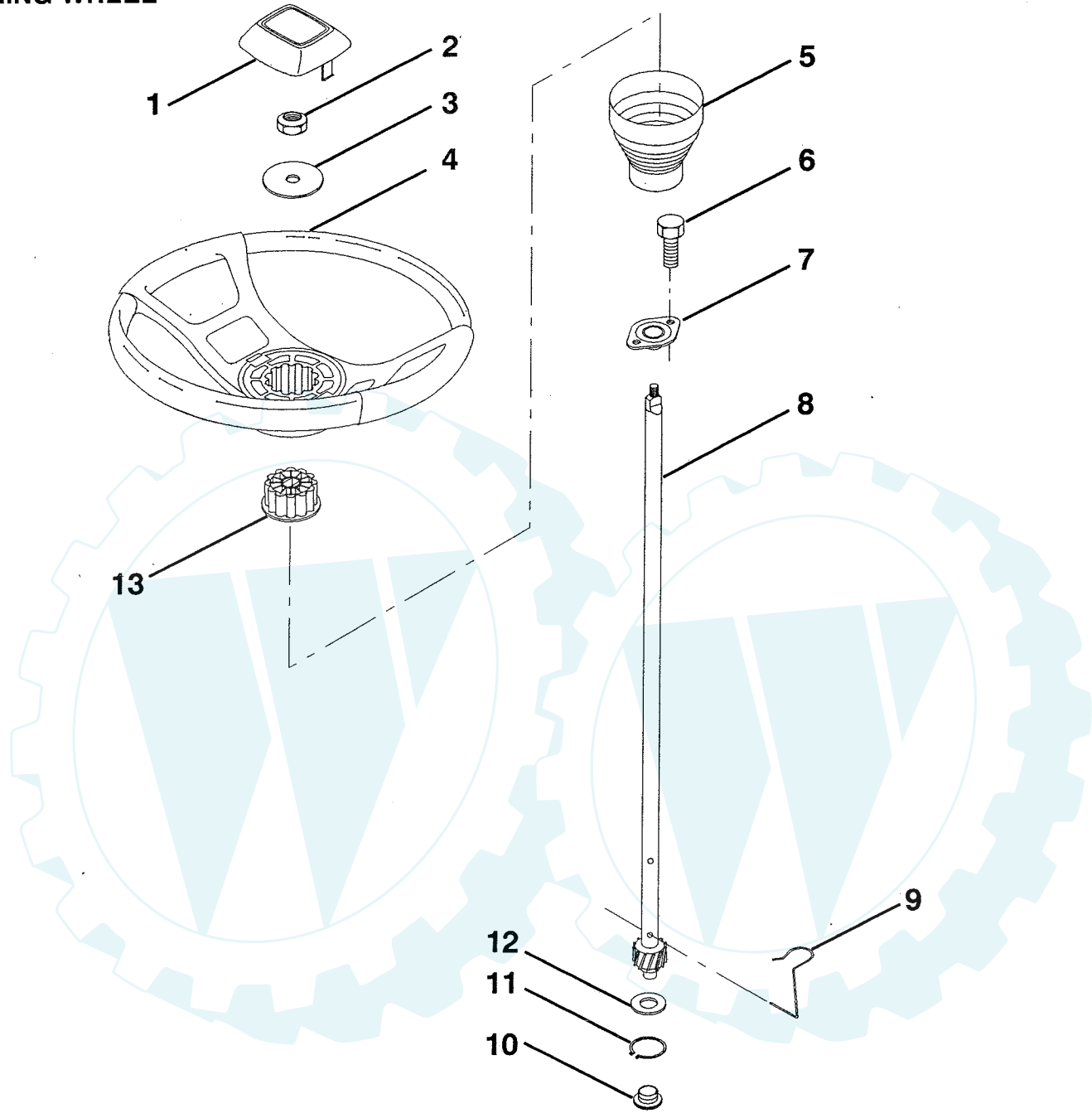
Der Ersatzteilspesialist im Internet.

REPAIR PARTS

www.ersatzteil-service.de

12 HP 36" TRACTOR - - MODEL NUMBER YE1236E

STEERING WHEEL



KEY NO.	PART NO.	DESCRIPTION
1	121584X	Insert, Steering wheel
2	7810H	Locknut 3/8-24 UNF
3	19133808	Washer 13/32 x 2-3/8 x 8 Ga.
4	121472X	Wheel, Steering
5	121897X	Sleeve, Steering
6	17431008	Screw, Hex Self-Tapping #10-16 x 1/2
7	102803X	Bushing, Steering
8	123651X	Shaft, Steering

KEY NO.	PART NO.	DESCRIPTION
9	124210X	Clip, Steering
10	123438X	Bushing, Lower, Steering
11	12000045	Ring, Retaining
12	19211616	Washer 21/32 x 1 x 16 Ga.
13	104820X	Adaptor, Steering Wheel

NOTE: All component dimensions given in U.S. inches.
1 inch = 25,4 mm.

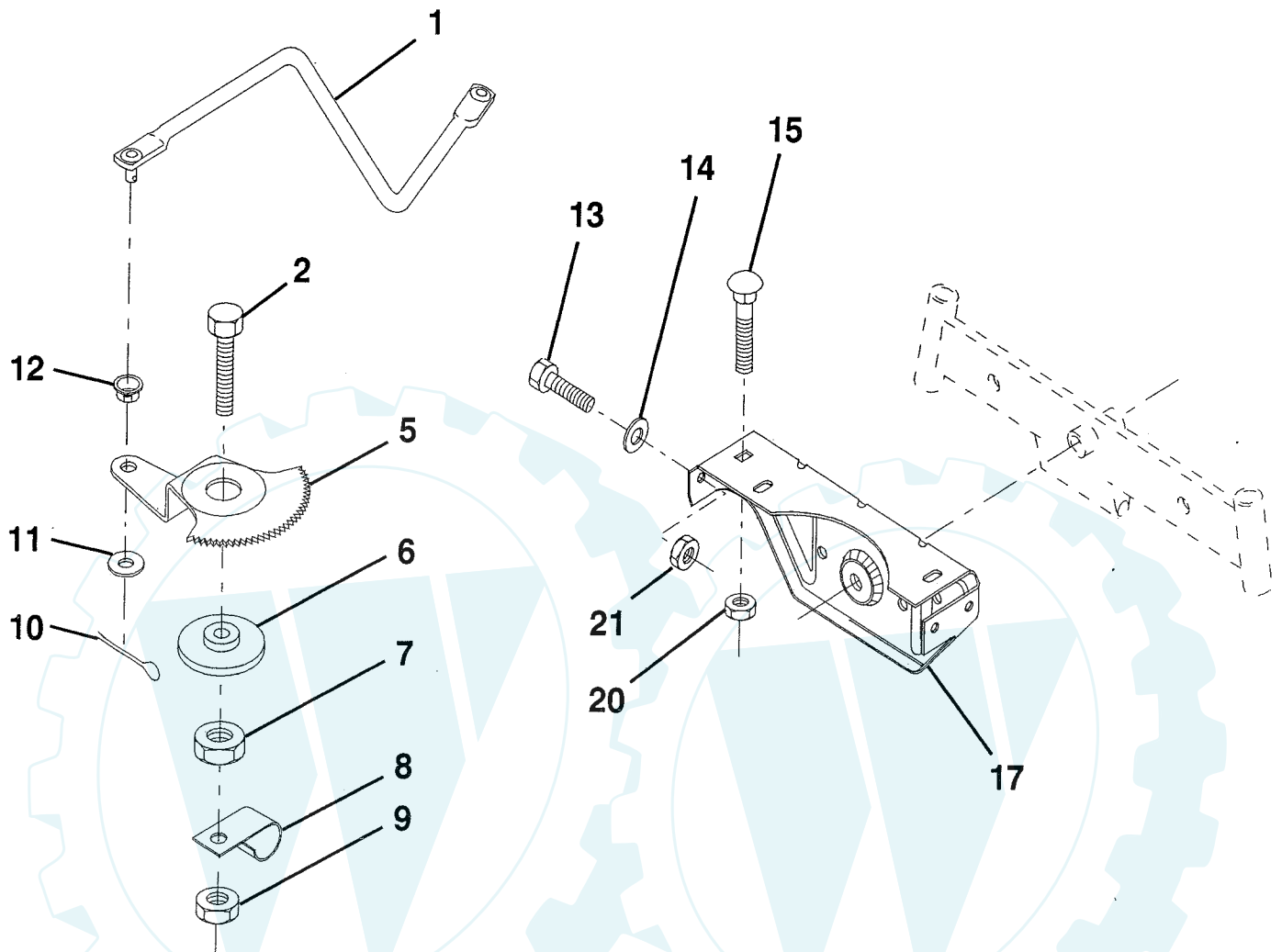
HARDWARE SHOWN LARGER FOR EASIER IDENTIFICATION

REPAIR PARTS

www.ersatzteil-service.de

12 HP 36" TRACTOR - - MODEL NUMBER YE1236E

SECTOR GEAR / AXLE SUPPORT



KEY NO.	PART NO.	DESCRIPTION
1	132566	Link, Drag
2	74780828	Bolt, Hex 1/2-13 x 1-3/4
5	121926X	Gear, Sector
6	121927X	Bushing
7	73030800	Nut, Heavy, Hex, Top Lock 1/2-13 UNC
8	126472X	Clip, Wire
9	73680800	Nut, Crownlock 1/2-13
10	76020412	Pin, Cotter 1/8 x 3/4
11	19131316	Washer 13/32 x 13/16 x 16 Ga.

KEY NO.	PART NO.	DESCRIPTION
12	126847X	Bushing
13	74760512	Bolt, Hex 5/16-18 x 3/4
14	19111416	Washer 11/32 x 7/8 x 16 Ga.
15	72110606	Bolt, Carriage 3/8-16 UNC x 3/4
17	137096	Support, Front Axle
20	73680600	Nut, Crownlock 3/8-16 UNC
21	73680500	Nut, Crownlock 5/16-18

NOTE: All component dimensions given in U.S. inches.
1 inch = 25,4 mm.

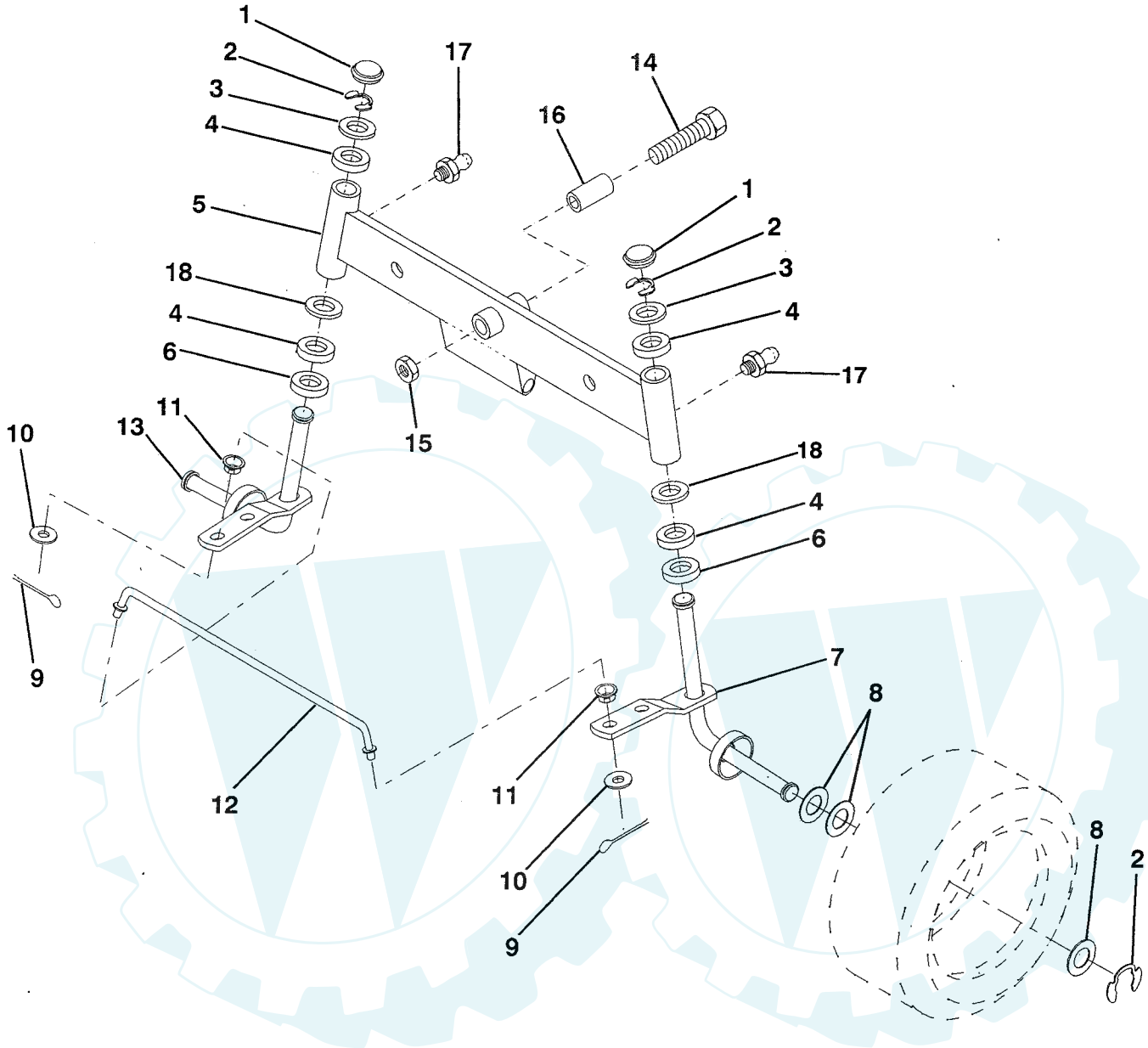
HARDWARE SHOWN LARGER FOR EASIER IDENTIFICATION

REPAIR PARTS

www.ersatzteil-service.de

12 HP 36" TRACTOR - - MODEL NUMBER YE1236E

FRONT AXLE



KEY NO.	PART NO.	DESCRIPTION
1	121232X	Cap, Spindle
2	1200029	Ring, Klip
3	121748X	Washer 25/32 x 1-5/8 x 16 Ga.
4	3366R	Bearing, Col. Strg.
5	133988	Axle, Front
6	6266H	Bearing, Thrust
7	137062	Spindle Assembly, R.H.
8	121749X	Washer 25/32 x 1-1/4 x 16 Ga.
9	76020412	Pin, Cotter 1/8 x 3/4
10	19131316	Washer 13/32 x 13/16 x 16 Ga.

KEY NO.	PART NO.	DESCRIPTION
11	126847X	Bushing
12	130465	Rod, Tie
13	137061	Spindle Assembly, L.H.
14	74011056	Bolt, Hex 5/8-11 x 3-1/2
15	73901000	Nut, Lock Flange 5/8-11 UNC
16	110438X	Spacer, Bearing, Front Axle
17	6855M	Fitting, Grease
18	19272016	Washer 27/32 x 1-1/4 x 16 Ga.

NOTE: All component dimensions given in U.S. inches
1 inch = 25.4 mm

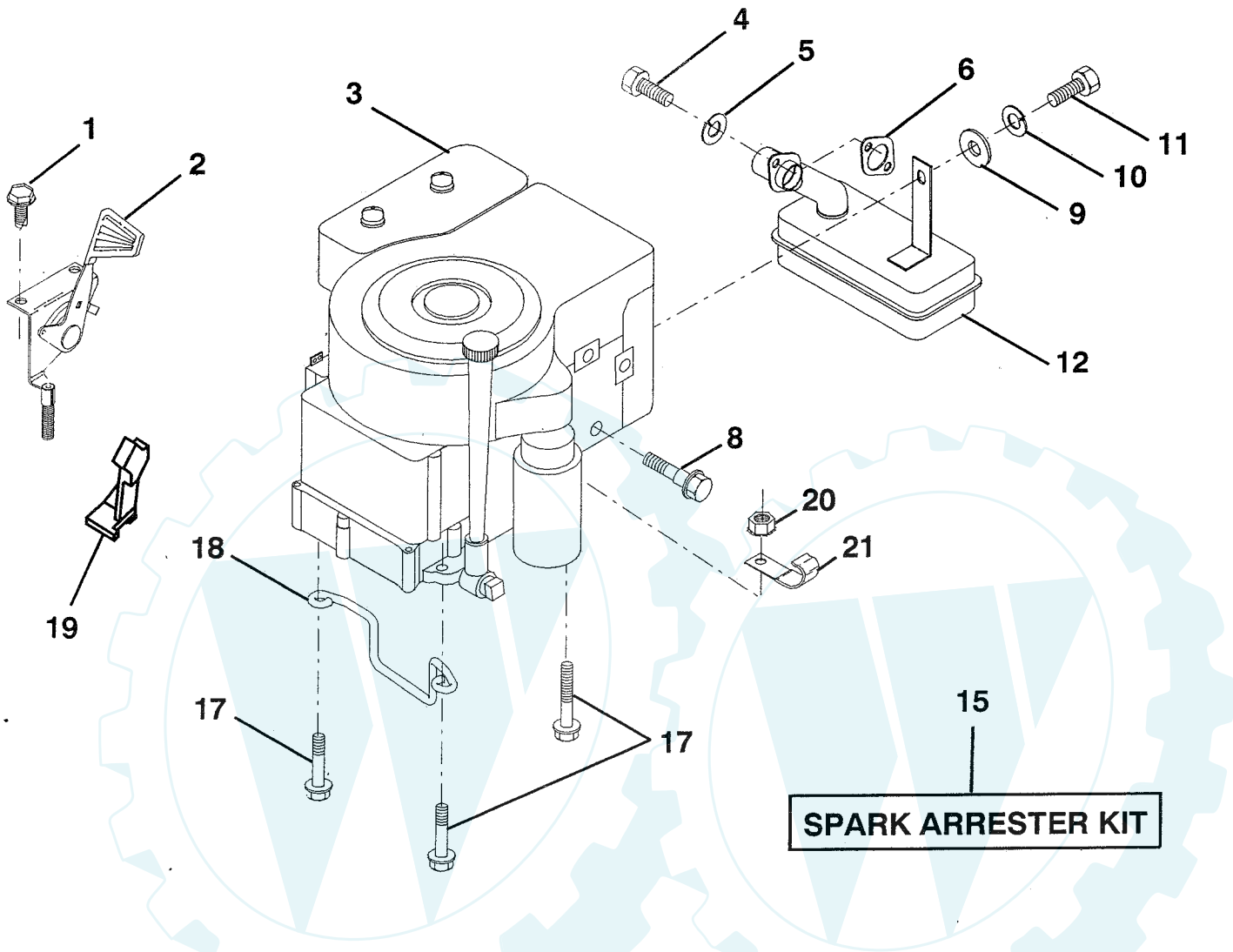
HARDWARE SHOWN LARGER FOR EASIER IDENTIFICATION

REPAIR PARTS

www.ersatzteil-service.de

12 HP 36" TRACTOR - - MODEL NUMBER YE1236E

ENGINE / THROTTLE



KEY PART NO. NO.

DESCRIPTION

1	17720408	Screw, Hex, Thread Cutting 1/4-20 x 1/2
2	133025	Control, Throttle
3	- - -	Engine, 12 HP B&S model no. 283707
4	71070512	Screw, Hex Head Cap 5/16-18 x 3/4
5	10040500	Washer, Lock, Heavy Helical Spring 5/16
6	125593X	Gasket, Exhaust
8	121094X	Bolt, Shoulder 5/16 UNC
9	19101216	Washer 5/16 x 3/4 x 16 Gauge

KEY PART NO. NO.

DESCRIPTION

10	10040400	Washer, Lock, Heavy Helical Spring 1/4
11	- - - - -	Bolt, Hex (Order from engine mfg.)
12	137437	Muffler
15	137180	Kit, Spark Arrester (Optional)
17	17490624	Screw, Hex Washer Head, Thd. Roll. 3/8-16 x 1-1/2
18	126636X	Keeper, Ground Drive Belt
19	127951	Stop, Throttle
20	73510600	Nuts, Keps 3/8 - 16 UNC
21	2751R	Clip, Fuel Line

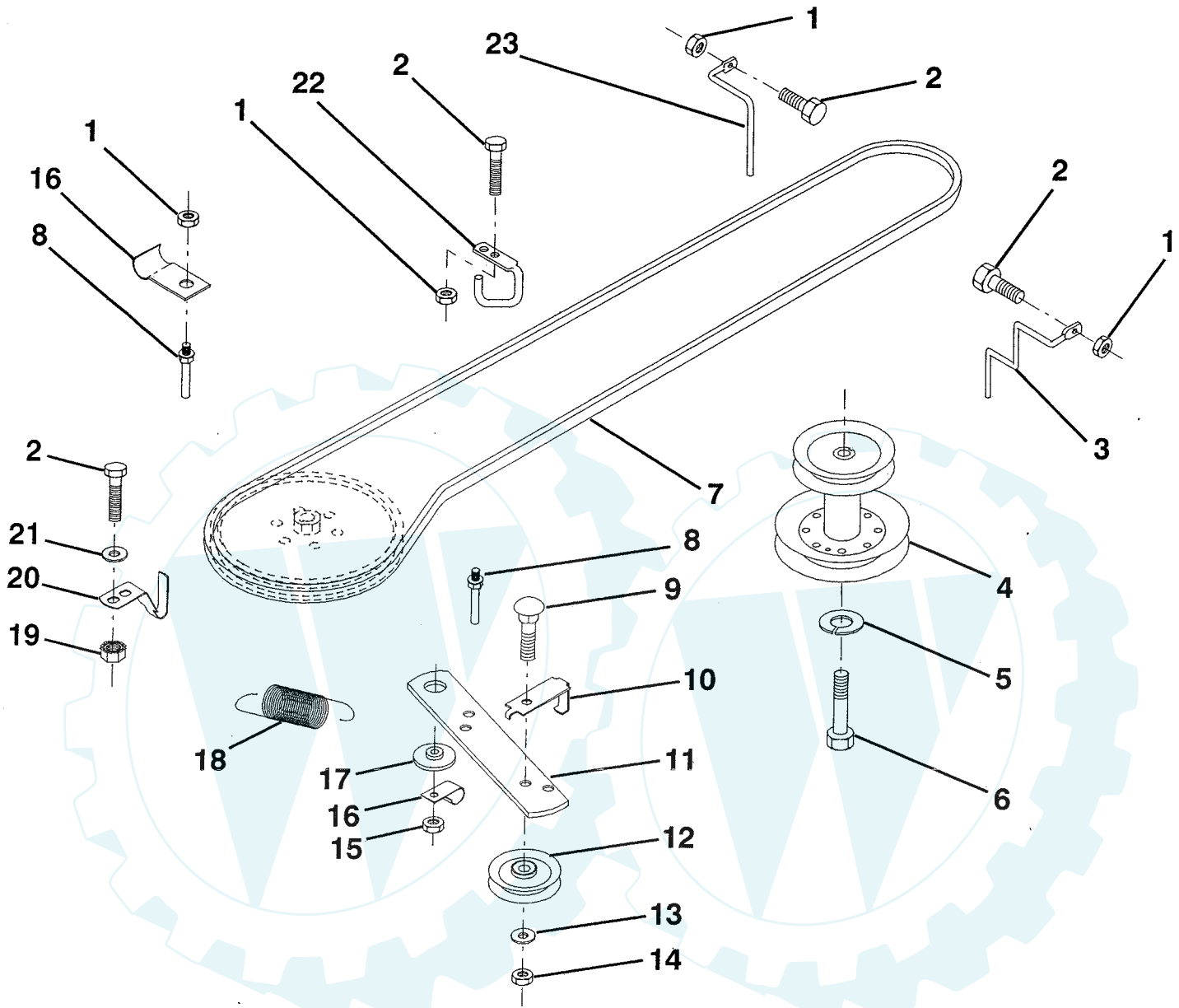
NOTE: All component dimensions given in U.S. inches
1 inch = 25.4 mm

HARDWARE SHOWN LARGER FOR EASIER IDENTIFICATION

REPAIR PARTS

12 HP 36" TRACTOR - - MODEL NUMBER YE1236E

GROUND DRIVE



KEY NO.	PART NO.	DESCRIPTION	KEY NO.	PART NO.	DESCRIPTION
1	73680500	Nut, Crownlock 5/16-18	13	19131316	Washer 13/32 x 13/16 x 16 Gauge
2	74760512	Bolt, Hex 5/16-18 UNC x 3/4	14	73930600	Nut, Centerlock 3/8-16 UNC
3	131205	Keeper, Mower Drive Belt, Engine, R.H.	15	73680600	Nut, Crownlock 3/8-16 UNC
4	134828	Pulley, Engine	16	126471X	Clip, Insulated
5	10040700	Washer, Lock, Heavy Helical Spring 7/16	17	122052X	Spacer, Retainer
6	71170744	Bolt, Hex, 7/16-20 x 2-3/4 Grade 5	18	131459	Spring, Extension
7	126520X	Traction, V-Belt Drive	19	73510500	Nut, Keps 5/16-18 UNC
8	123405X	Keeper, T/A Ground Drive Belt	20	123891X	Keeper, T/A Ground Drive Belt
9	72140612	Bolt, Carriage 3/8-16 UNC x 1-1/2	21	19111016	Washer 11/32 x 5/8 x 16 Gauge
10	123396X	Keeper, Ground Drive Belt, Idler	22	123404X	Keeper, Ground Drive Belt, Frame
11	123395X	Arm, Ground Drive Clutch	23	131204	Keeper, Mower Drive Belt, L.H.
12	4859J	Idler, Flat			

NOTE: All component dimensions given in U.S. inches
1 inch = 25.4 mm

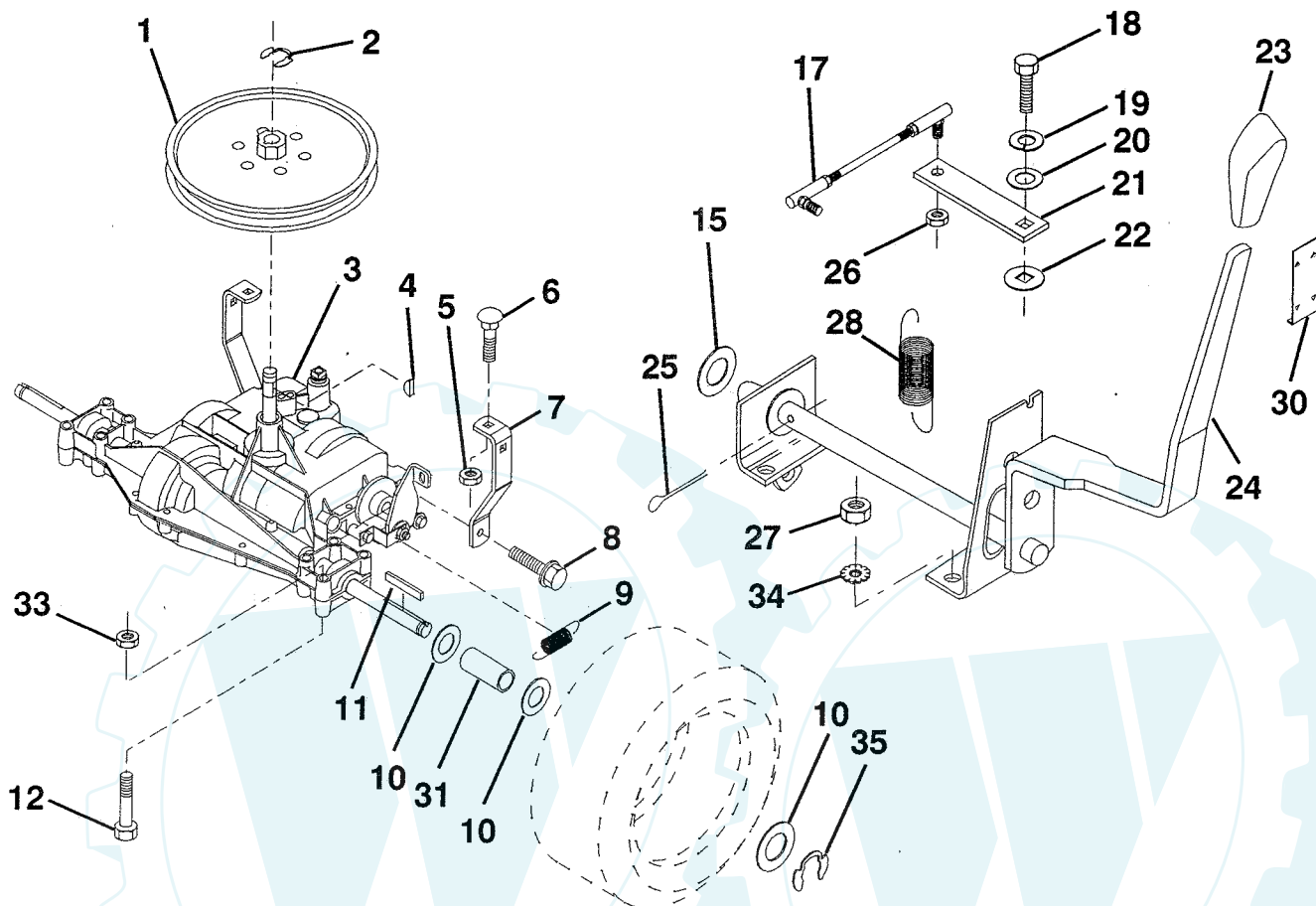
HARDWARE SHOWN LARGER FOR EASIER IDENTIFICATION

REPAIR PARTS

www.ersatzteil-service.de

12 HP 36" TRACTOR - - MODEL NUMBER YE1236E

TRANSAXLE



KEY NO.	PART NO.	DESCRIPTION
1	123385X	Pulley
2	12000028	Ring, Retainer
3	137366	Transaxle Model Number 4360-51
4	2228M	Key, Woodruff #9
5	73680500	Nut, Crownlock 5/16-18
6	72140506	Bolt, Carriage 5/16-18 UNC x 3/4
7	123378X	Strap, Torque
8	17490512	Screw 5/16-18 x 3/4
9	110422X	Spring, Brake
10	121749X	Washer 25/32 x 1-1/4 x 16 Ga.
11	123583X	Key, Square
12	74760644	Bolt Fin Hex 3/8-16 x 2-3/4
15	19171616	Washer 17/32 x 16 Ga.
17	123632X	Link, Shift
18	71040412	Bolt, Hex, Fin. 1/4-28 UNF x 3/4 Grade 8

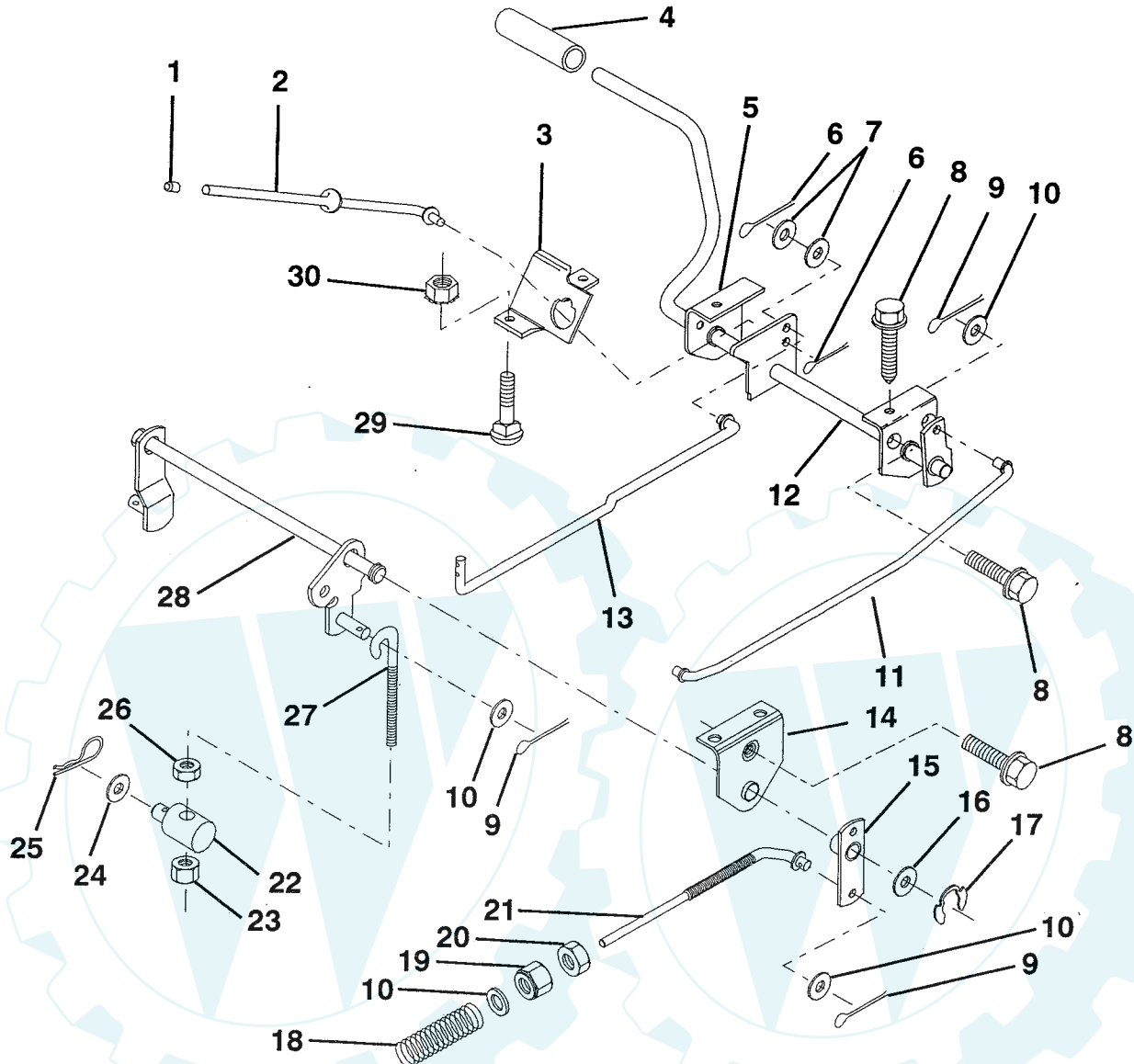
KEY NO.	PART NO.	DESCRIPTION
19	10040400	Washer, Lock 1/4
20	19091210	Washer 9/32 x 3/4 x 10 Ga.
21	123539X	Arm, Shift
22	105701X	Washer, Shift Plate
23	122011X	Knob, Golf Club
24	128202	Handle, Shift
25	76020416	Pin, Cotter 1/8 x 1
26	73810500	Nut, Hex, Nylon 5/16-24 UNF
27	73510500	Nut, Keps 5/16-18
28	128085	Spring, Extension
30	123692X	Retainer, Knob
33	73680600	Nut, Crownlock 3/8 - 16
34	11050500	Washer, Lock, External Tooth 5/16
35	12000001	E-Ring

NOTE: All component dimensions given in U.S. inches
1 inch = 25.4 mm

HARDWARE SHOWN LARGER FOR EASIER IDENTIFICATION

12 HP 36" TRACTOR - - MODEL NUMBER YE1236E

BRAKE / REAR MOWER LIFT ASSEMBLY



KEY NO.	PART NO.	DESCRIPTION	KEY NO.	PART NO.	DESCRIPTION
1	71673	Cap, Parking Brake	17	12000034	Ring, Klip
2	123436X	Rod, Parking Brake	18	106888X	Spring, Brake Rod
3	123437X	Bracket, Parking Brake	19	73680600	Nut, Crownlock 3/8-16
4	8883R	Cover, Pedal	20	73350600	Nut, Hex, Jam 3/8-16 UNC
5	122504X	Bracket, Pedal, Clutch L.H.	21	131460	Rod, Rear Brake
6	76020312	Pin, Cotter 3/32 x 3/4	22	127378	Trunnion, Lift
7	19131016	Washer 13/32 x 5/8 x 16 Gauge	23	73680600	Nut, Crownlock 3/8-16 UNC
8	17490508	Screw, Hex, Thd. Roll. 5/16-18 x 1/2	24	19132012	Washer 13/32 x 1-1/4 x 12 Gauge
9	76020412	Pin, Cotter 1/8 x 3/4	25	4921H	Spring, Retainer
10	19131316	Washer 13/32 x 13/16 x 16 Gauge	26	73930600	Nut, Centerlock 3/8-16 UNC
11	123543X	Rod, Front Brake	27	127369	Link, Threaded
12	133483	Assembly, Clutch/Brake Pedal	28	127358	Assembly, Rear Mower Lift
13	123394X	Rod, Clutch	29	72110506	Bolt, Carriage 5/16-18 UNC x 3/4
14	121978X	Bracket, Lift, Shaft	30	73510500	Nut, Keps 5/16-18 UNC
15	123641X	Assembly, Brake, Pivot, Arm			
16	19251816	Washer 25/32 x 1-1/8 x 16 Gauge			

NOTE: All component dimensions given in U.S. inches
1 inch = 25.4 mm

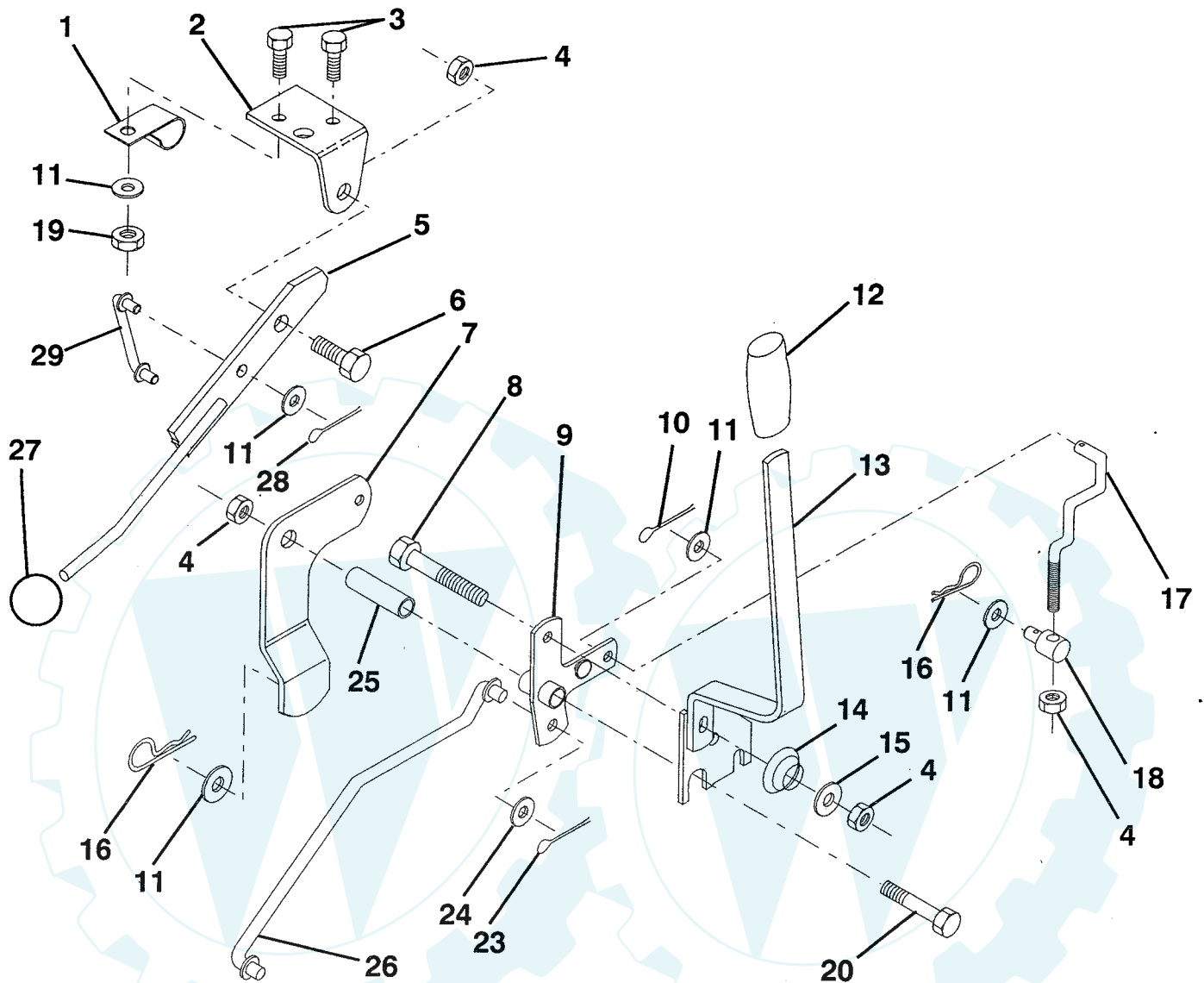
HARDWARE SHOWN LARGER FOR EASIER IDENTIFICATION

REPAIR PARTS

www.ersatzteil-service.de

12 HP 36" TRACTOR - - MODEL NUMBER YE1236E

MOWER LIFT LEVER



KEY NO.	PART NO.	DESCRIPTION
1	126470X	Clip, Insulated
2	122018X	Bracket, Mower Clutch
3	74780408	Bolt, Hex, Fin 1/4-20 UNC x 1/2 Grade 5
4	73680600	Nut, Crownlock 3/8-16 UNC
5	123417X	Assembly, Clutch Lever
6	106451X	Bolt, Shoulder
7	135371	Assembly, Mower Clutch Arm
8	74760636	Bolt, Hex 3/8-16 UNC x 2-1/4
9	121930X	Assembly, Bellcrank, Lift
10	76020412	Pin, Cotter 1/8 x 3/4
11	19131316	Washer 13/32 x 13/16 x 16 Ga.
12	122027X	Grip, Handle
13	127028	Assembly, Lift Handle
14	123496X	Spring, Compression

KEY NO.	PART NO.	DESCRIPTION
15	19131212	Washer 13/32 x 3/4 x 12 Ga.
16	4921H	Retainer, Spring
17	127359	Link, Front Lift
18	133205	Trunnion, Threaded 3/8-16
19	73680400	Nut, Crownlock 1/4-20
20	74760644	Bolt, Hex, Fin. 3/8-16 UNC x 2-3/4
23	76020416	Pin, Cotter 1/8 x 1
24	19171616	Washer 17/32 x 1 x 16 Ga.
25	121933X	Tube, Spacer
26	121934X	Rod, Mower Lift
27	121466X	Grip
28	76020312	Pin, Cotter 3/32 x 3/4
29	131655	Link, Mower Clutch

NOTE: All component dimensions given in U.S. inches
1 inch = 25.4 mm

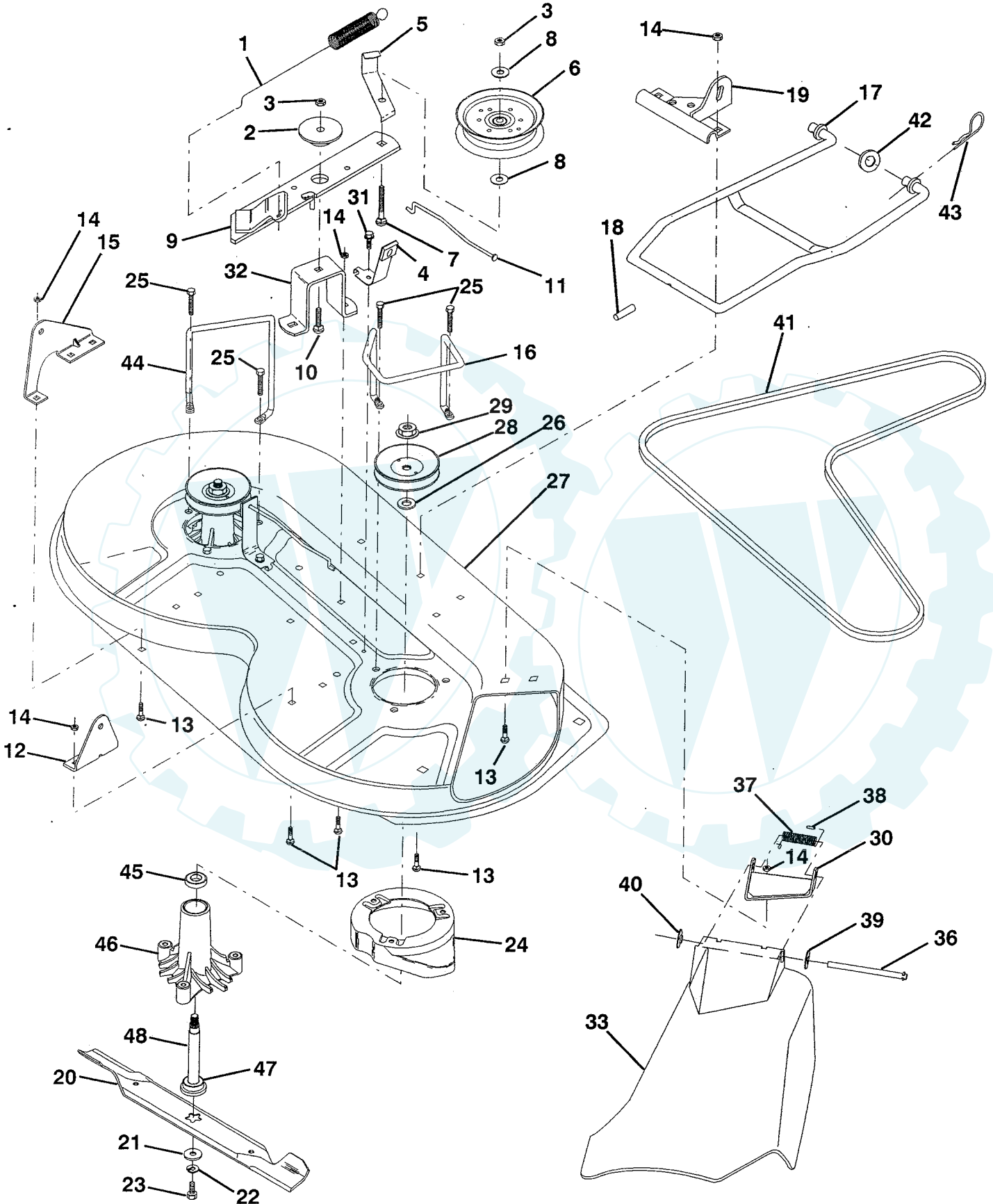
HARDWARE SHOWN LARGER FOR EASIER IDENTIFICATION

REPAIR PARTS

www.ersatzteil-service.de

12 HP 36" TRACTOR - - MODEL NUMBER YE1236E

MOWER DECK



REPAIR PARTS

www.ersatzteil-service.de

12 HP 36" TRACTOR - - MODEL NUMBER YE1236E

MOWER DECK

KEY NO.	PART NO.	DESCRIPTION	KEY NO.	PART NO.	DESCRIPTION
1	127743	Spring, Mower Clutch	27	129983	Housing, Mower
2	122052X	Spacer, Retainer	28	129207	Pulley, Mandrel
3	73680600	Nut, Crownlock 3/8-16 UNC	29	73050900	Nut, Flangelock 9/16
4	130840	Assembly, Brake	30	136631	Bracket, Deflector
5	131251	Guide, Belt Idler	31	17490508	Screw, Hex Washer Head, Thd. Roll. 5/16-18 x 1/2
6	121316X	Idler, Flat	32	122051X	Arm, Support Idler, Mower
7	72110616	Bolt, Carriage 3/8-16 x 2 Grade 5	33	131560	Shield, Deflector
8	19131410	Washer 13/32 x 7/8 x 10 Ga.	36	121980X	Rod, Hinge
9	127744	Assembly, Mower Idler Arm	37	123713X	Spring, Torsion Deflector
10	72110608	Bolt, Carriage 3/8-16 UNC x 1	38	105304X	Cap, Sleeve
11	130841	Rod, Brake	39	19111016	Washer 11/32 x 5/8 x 16 Ga.
12	127356	Bracket, Rear Lift, R.H.	40	110452X	Nut, Push
13	72140505	Bolt, Carriage 5/16-18 UNC x 5/8	41	131264	V-Belt
14	73680500	Nut, Crownlock 5/16-18	42	19171616	Washer 11/32 x 5/8 x 16 Ga.
15	127357	Bracket, Rear Lift, L.H.	43	3146R	Clip, Hairpin
16	130837	Keeper, R.H.	44	130836	Keeper, L.H.
17	128508	Stabilizer, Mower Link	45	110485X	Bearing
18	128511	Pin, Drive	46	128774	Housing, Mandrel, Vented
19	127380	Bracket, Stabilizer Link	47	129895	Bearing
20	131321	Blade	48	133172	Shaft, Mandrel (includes key #47)
21	129962	Washer, Hard	--	130794	Mandrel Assembly (Includes Key Numbers 21-23, 26, 29 and 45-48)
22	10030600	Washer, Lock, Heavy 3/8	--	136316	Deck, Complete
23	850857	Bolt 3/8-24 x 1-1/4 Grade 8			
24	136929	Stripper			
25	78158	Bolt 5/16-18 x 1-1/4			
26	129963	Washer .150 Thick			

NOTE: All component dimensions given in U.S. inches
1 inch = 25.4 mm

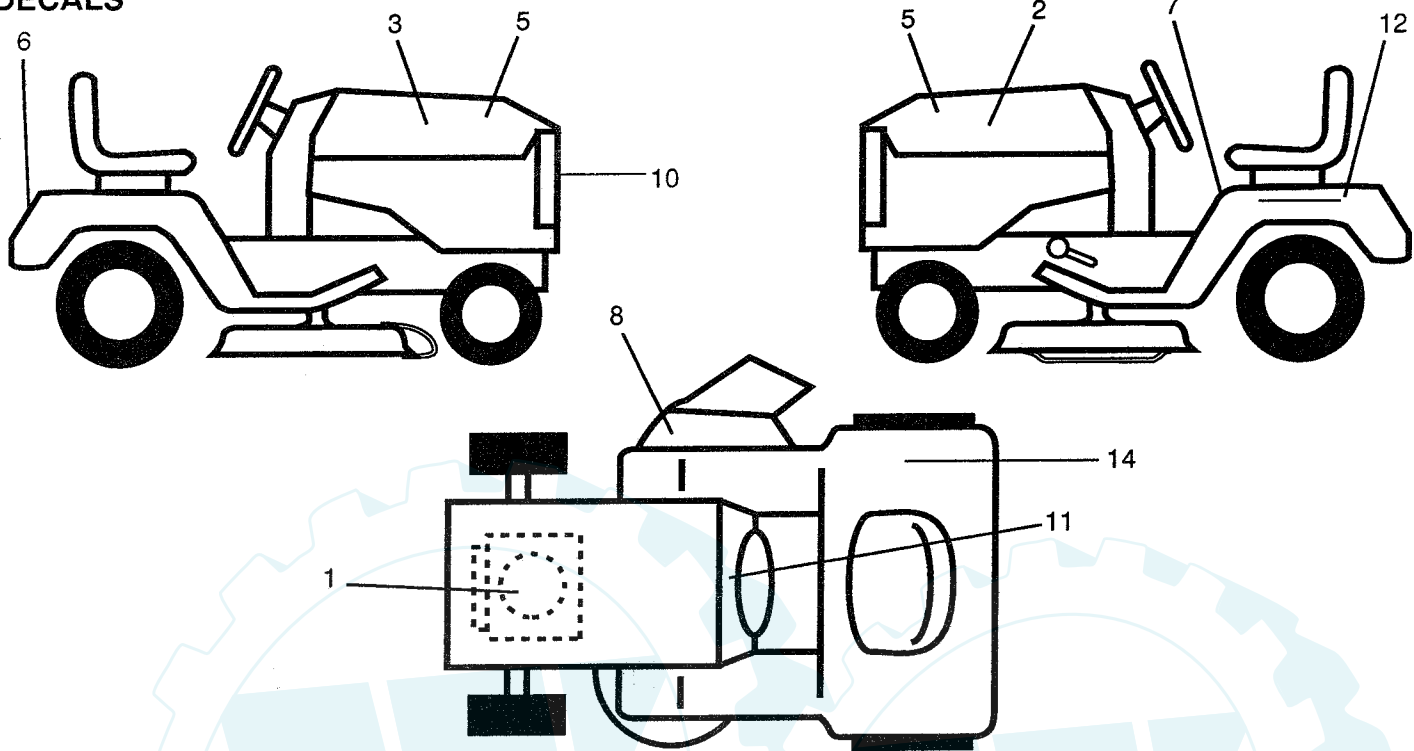
HARDWARE SHOWN LARGER FOR EASIER IDENTIFICATION

REPAIR PARTS

www.ersatzteil-service.de

12 HP 36" TRACTOR -- MODEL NUMBER YE1236E

DECALS



KEY PART NO. NO.

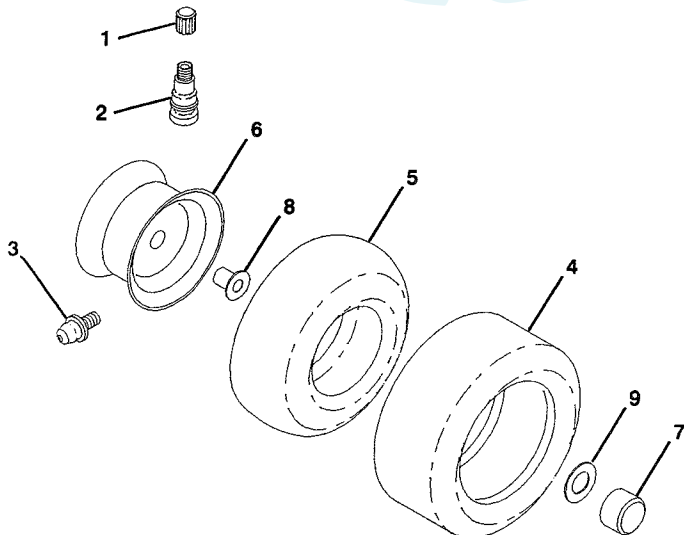
KEY PART NO.	NO.	DESCRIPTION
1	120601X	Decal, HP, Engine
2	122036X	Decal, Stripe, Hood L.H.
3	122037X	Decal, Stripe, Hood R.H.
5	122038X	Decal, Model, Side Panel
6	123689X	Decal, Fender
7	133795	Decal, Caution
8	137259	Decal, Warning, Multi-Language
10	126860X	Decal, Light box Lower

KEY PART NO. NO.

KEY PART NO.	NO.	DESCRIPTION
11	123637X	Decal, Operation/Instructions
12	121549X	Decal, Caution, Battery
14	125690X	Decal, 100 DBA
--	133626	Manual, Operator's (English)
--	131745	Manual, Operator's (French)
--	137692	Manual, Repair Parts (English/French)

Available accessories (not included with mower):
- CE36 Rear Bagger

WHEELS & TIRES



KEY PART NO. NO.

KEY PART NO.	NO.	DESCRIPTION
1	59192	Cap, Valve
2	65139	Stem, Valve
3	278H	Fitting, Grease (Front Only)
4	137422	Tire, Front
	132703	Tire, Rear
5	59904	Tube, Tire, Front (Optional, Service Item Only)
	8134H	Tube, Tire, Rear (Optional, Service Item Only)
6	137237X361	Rim Assembly, Front
	123412X361	Rim Assembly, Rear
7	104757X	Cap, Axle
8	9040H	Bearing, Flange (Front Only)
9	121748X	Washer, Axle Cap

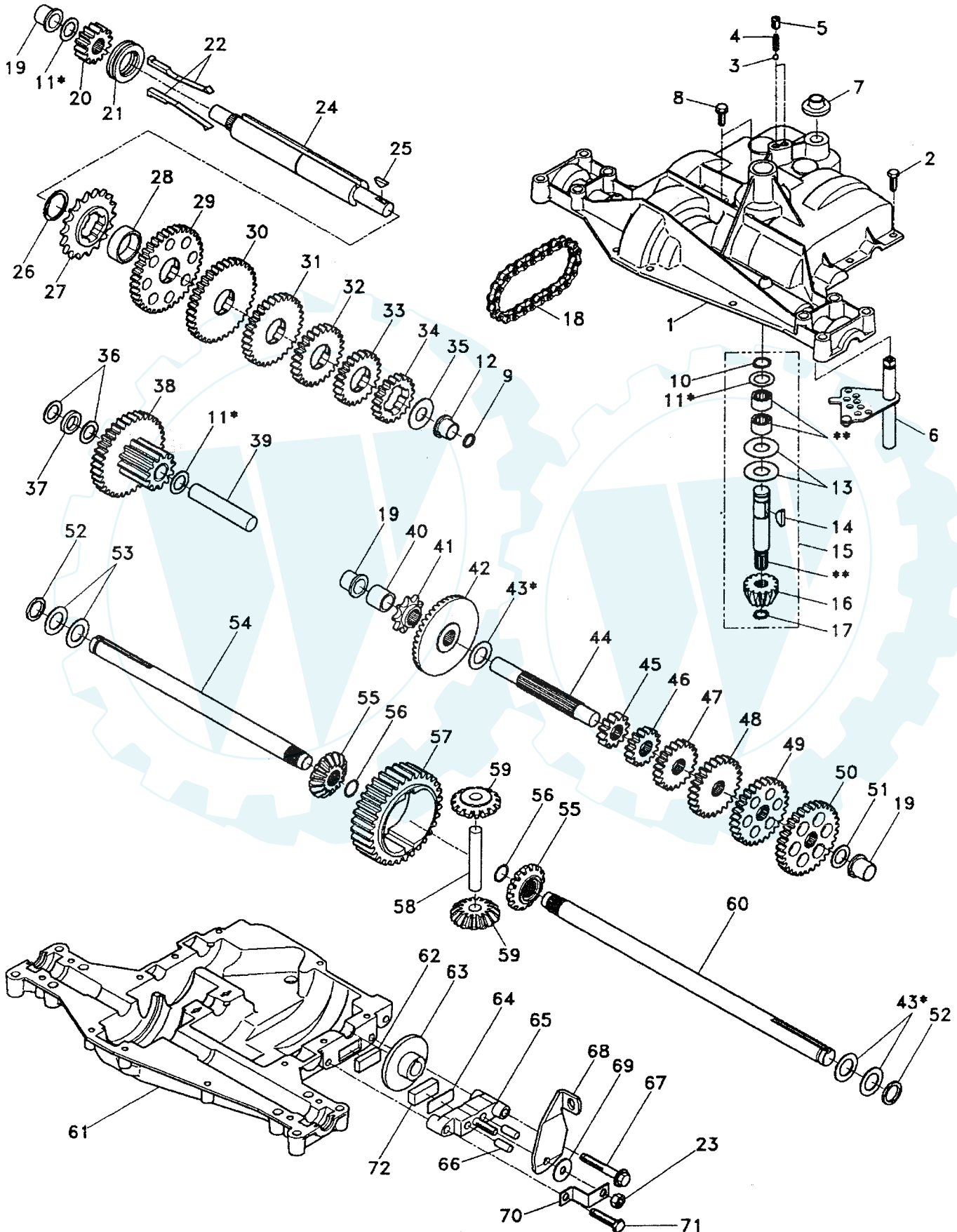
NOTE: All component dimensions given in U.S. inches.
1 inch = 25,4 mm.

REPAIR PARTS

www.ersatzteil-service.de

12 HP 36" TRACTOR - - MODEL NUMBER YE1236E

DANA TRANSAXLE - MODEL NUMBER 4360-51



12 HP 36" TRACTOR - - MODEL NUMBER YE1236E

DANA TRANSAXLE - MODEL NUMBER 4360-51

KEY PART NO. NO.	DESCRIPTION	KEY PART NO. NO.	DESCRIPTION
1 138248	Housing, Upper	41 105928X	Sprocket, 9 Teeth
2 2274J	Screw, Self-Tapping, Large 1/4-20 x .734	42 110084X	Gear, Bevel, 42 Teeth
3 134400	Ball, Detent	43 134394	* Assembly, Kit, Shim .750 Shaft
4 105904X	Spring, Detent	44 120473X	Shaft, Drive
5 105905X	Screw, Set	45 105933X	Gear, Spur, 12 Teeth
6 138235	Kit, Shifter Assembly	46 106151X	Gear, Spur, 15 Teeth
7 134399	Boot, Shifter	47 120407X	Gear, Spur, 20 Teeth
8 134791	Screw, Self-Tapping, with Sealer	48 106589X	Gear, Spur, 25 Teeth
9 138241	Square Ring	49 120408X	Gear, Spur, 28 Teeth
10 2267J	Ring, Retaining	50 105937X	Gear, Spur, 31 Teeth
11 134793	* Assembly, Kit, Shim .625 Shaft	51 2226J	Washer, Plain .632 x 1.00 x .060
12 138240	Bearing, Flange	52 134401	Washer, Neoprene
13 120415X	Washer, Plain .632 x 1.38 x .046	53 2264J	Washer, Plain .758 x 1.25 x .031
14 2257J	Key, Woodruff, #9	54 123907X	Axle, L.H.
15 138234	Assembly, Kit, Input Shaft	55 110081X	Gear, Miter, 15 Teeth
16 110078X	Pinion, Bevel, 14 Teeth	56 105941X	Ring, Retaining
17 105909X	Ring, Retaining	57 110071X	Gear, Spur, 32 Teeth
18 105910X	Chain, 24 Pitches	58 120952X	Shaft, Cross
19 105911X	Bearing, Flange	59 110082X	Gear, Miter, 15 Teeth
20 138242	Gear, Spur, 14 Teeth	60 123908X	Axle, R.H.
21 138246	Collar, Clutch	61 138247	Housing, Lower
22 138236	Assembly, Kit, Clutch Keys	62 120961X	Puck, Friction
23 73810500	Locknut 5/16-24	63 7294J	Disc, Brake
24 138243	Shaft, Intermediate	64 108989X	Spacer
25 2244J	Key, Woodruff, #61	65 120953X	Jaw, Brake
26 105916X	Ring, Retaining	66 120954X	Pin, Dowel
27 120470X	Sprocket, 18 Teeth	67 134799	Screw, Self-Tapping, Large 5/16-18 x 2.25
28 110070X	Spacer	68 138244	Lever, Actuating
29 108977X	Gear, Spur, 37 Teeth	69 108996X	Washer, Plain .321 x 1.00 x .055
30 109254X	Gear, Spur, 35 Teeth	70 120956X	Bracket, Anti-Rotation
31 120405X	Gear, Spur, 30 Teeth	71 106596X	Screw, Self-Tapping, Large 5/16-18 x 1.44
32 108980X	Gear, Spur, 25 Teeth	72 120951X	Puck, Friction
33 120406X	Gear, Spur, 22 Teeth	73 120416X	Grease
34 134796	Gear, Spur, 19 Teeth		
35 105925X	Washer, Plain .640 x 1.37 x .061		
36 2232J	Washer, Plain .632 x 1.00 x .026		
37 108978X	Spacer .630 x 1.00 x .169		
38 110079X	Assembly, Gear, Combination of 12 Teeth and 35 Teeth		
39 124639X	Shaft, Idler		
40 120472X	Spacer .635 x .875 x .755		

* Use in combinations to maintain proper clearances

** Order Key No. 15

NOTE: All component dimensions given in U.S. inches
1 inch = 25.4 mm