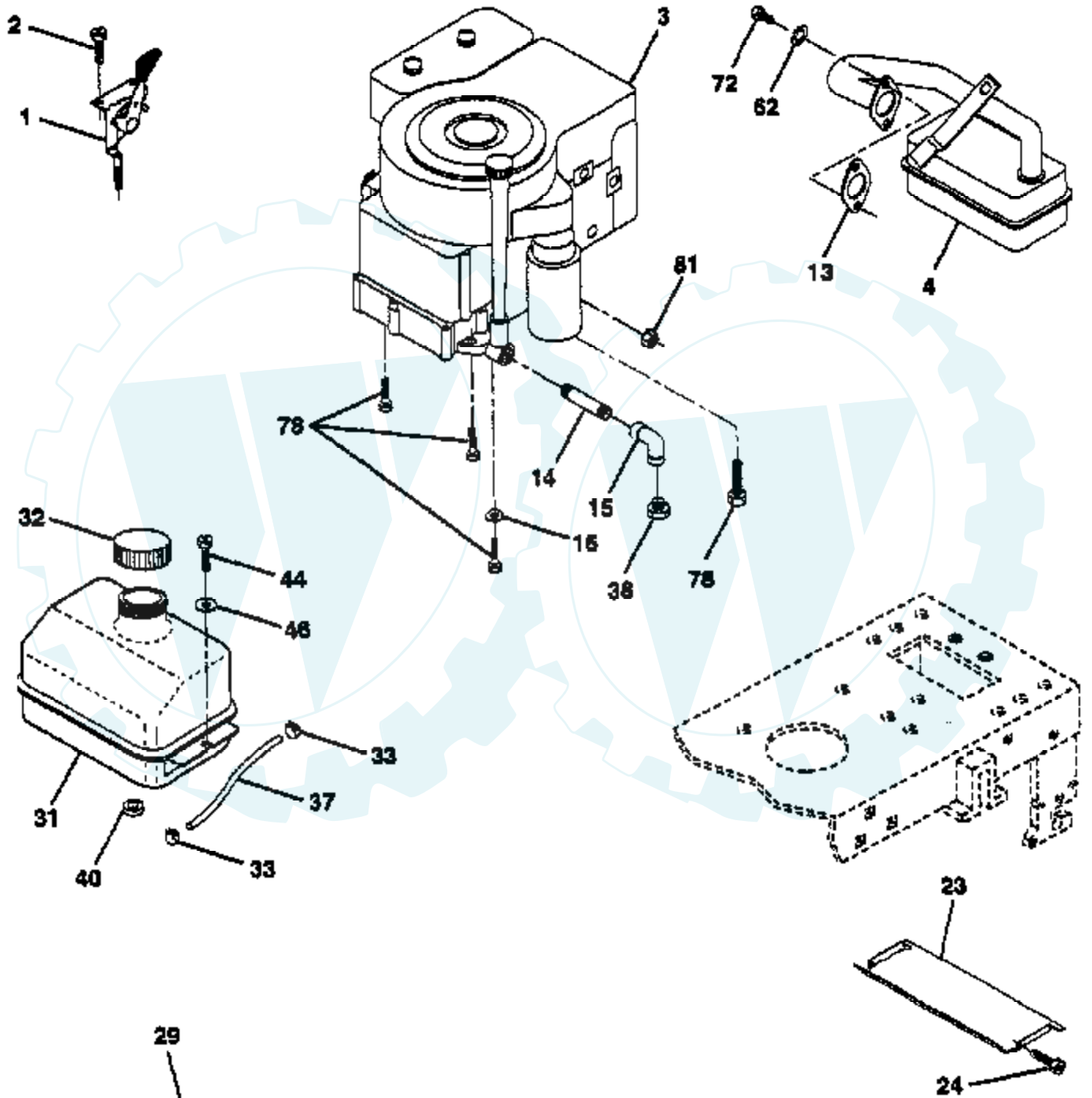


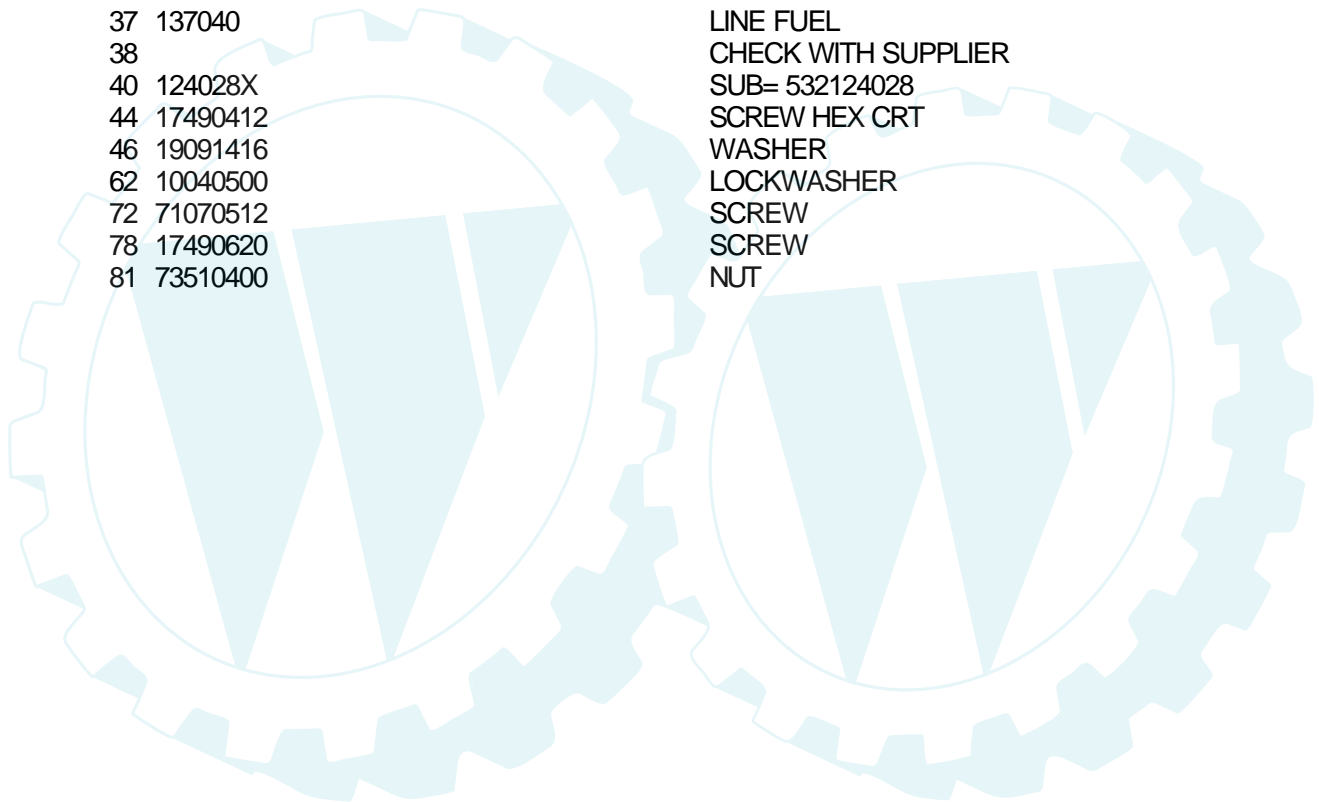
## 12.5 HP 42" TRACTOR -- MODEL NUMBER YC125H42B

### ENGINE



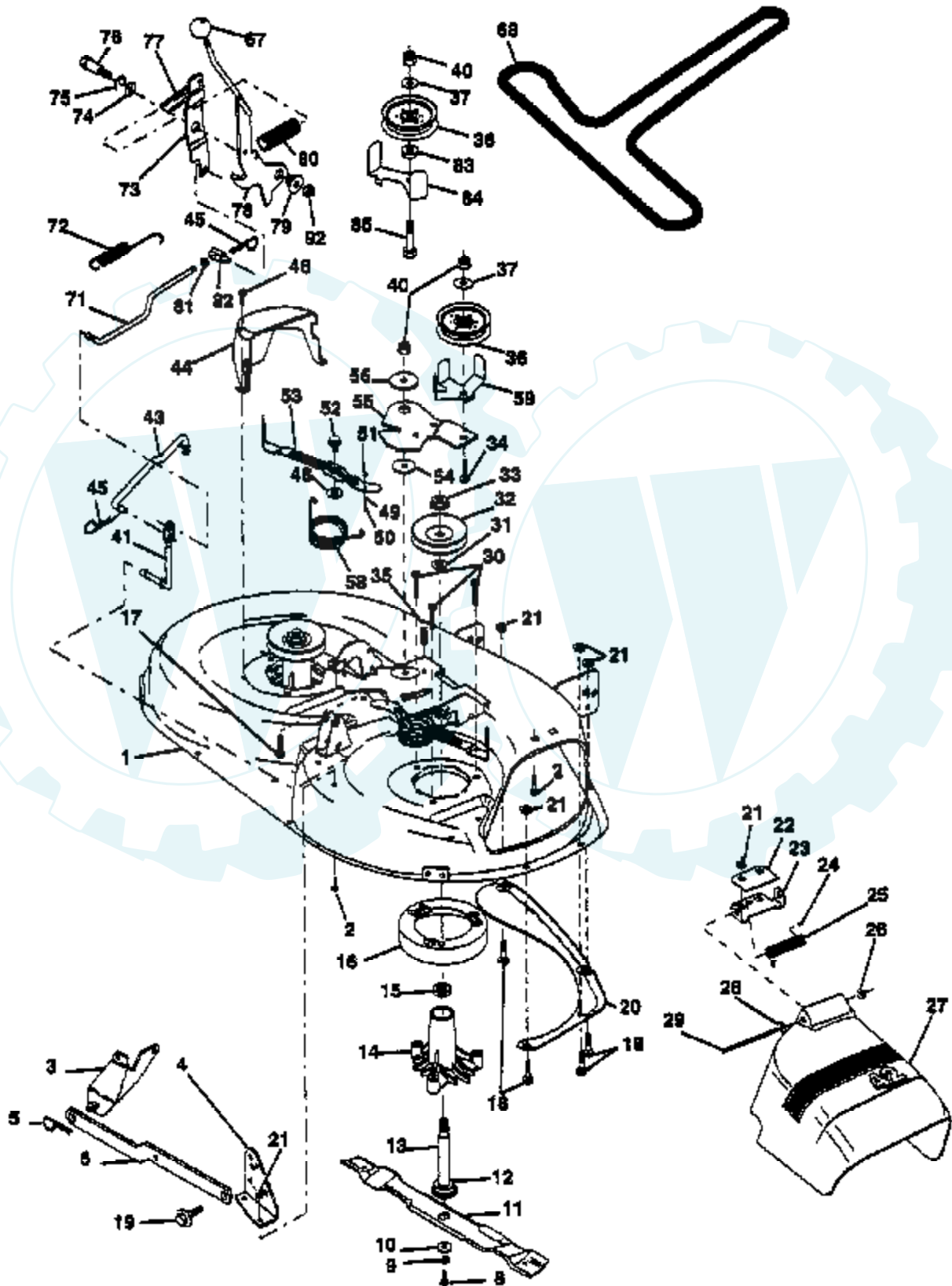
**OPTIONAL EQUIPMENT**  
**Spark Arrester**

Ref #	Part Number	Qty	Description
1	132771		THROTTLE CONTROL
2	17720410		SCREW LT
3	289707		ENGINE B&S
4	137348		MUFFLER
13	125593X		SUB= 272293
14	13280324		PIPE NIPPLE
15	13200300		ELBOW
16	11050600		LOCKWASHER
23	128953		HEAT SHIELD
24	17021008		SCREW
29	137180		SUB= 532137180
31	109202X		TANK.FUEL.LT.
32	140527		CAP ASM FUEL
33	123487X		HOSE CLAMP
37	137040		LINE FUEL
38			CHECK WITH SUPPLIER
40	124028X		SUB= 532124028
44	17490412		SCREW HEX CRT
46	19091416		WASHER
62	10040500		LOCKWASHER
72	71070512		SCREW
78	17490620		SCREW
81	73510400		NUT



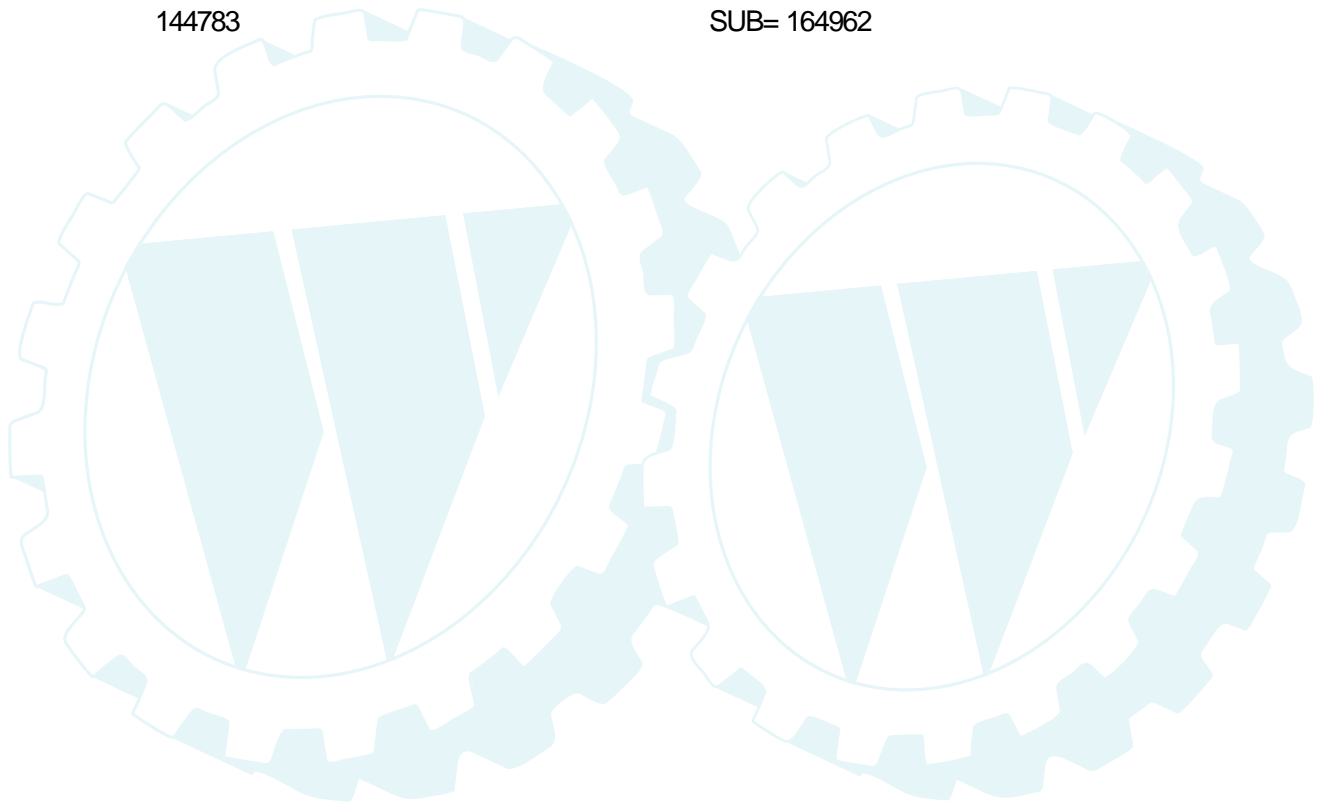
### TRACTOR - - MODEL NUMBER 2H4B6A

### MOWER DECK



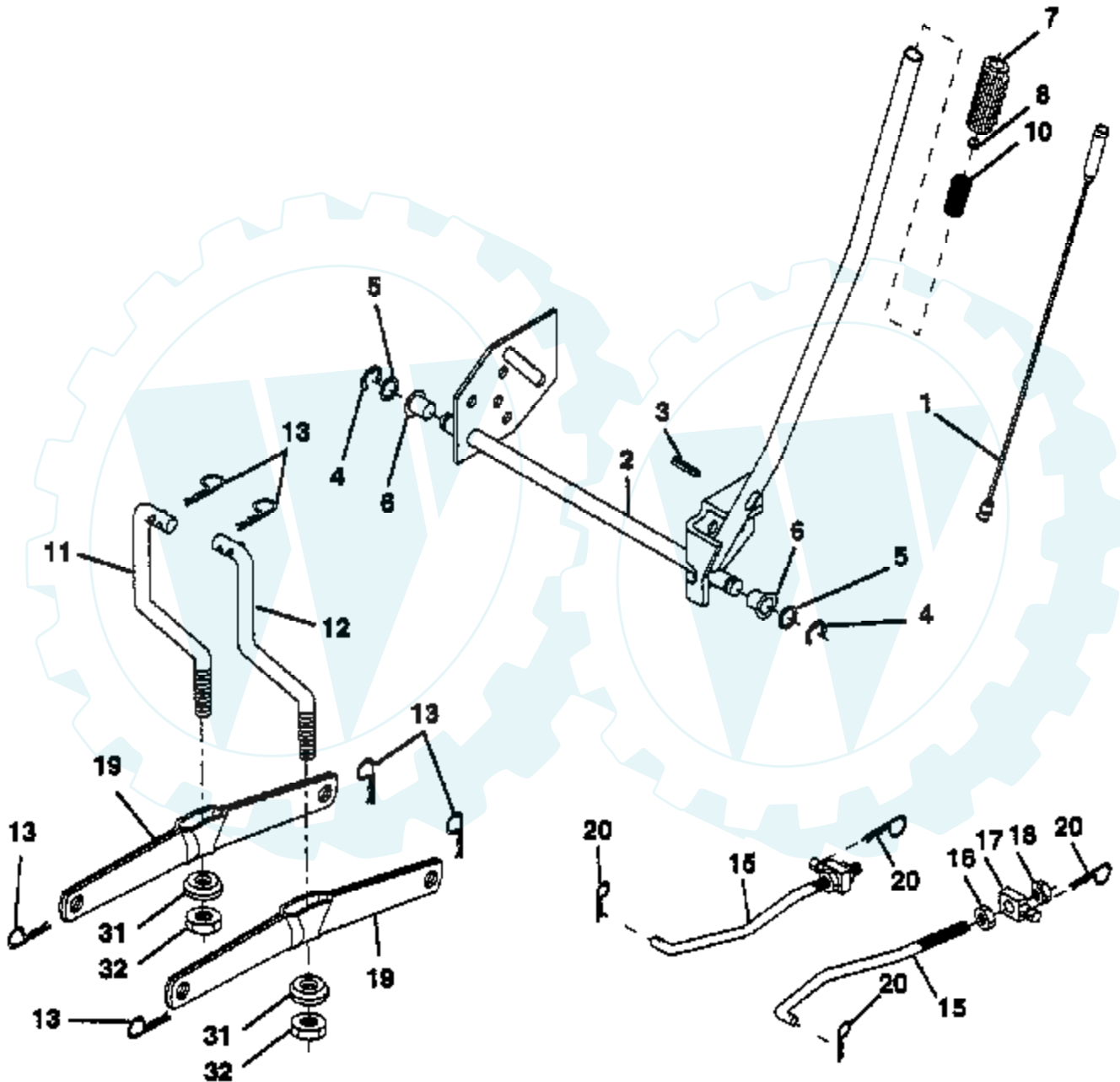
Ref #	Part Number	Qty	Description
1	144393		DECK.WELD.42.
2	72140506		BOLT
3	138017		BRKT ASM SWAY BAR
4	138440		BRKT DECK SW BAR
5	4939M		SUB= 85902
6	130832		SUB= 130833
8	850857		BLADE BOLT
9	10030600		SUB= 10040600
10	140296		WASHER.HARD.BLADE
11	138498		"BLADE.42"" HIPERF"
12	129895		BEARING.BALL
13	137645		SUB= 137646
14	128774		HSG ASM MANDREL
15	110485X		BEARING
16	140329		STRIPPER RND MWR
17	72110610		BOLT RDHD 3/8-16
18	72140505		BOLT
19	132827		BOLT SHD 5/16-18
20	136888		SUB= 918136888
21	73680500		SUB= 73690500
22	134753		STIFFENER BRKT
23	131267		DEFLECTOR BRKT
24	105304X		CAP-SLEEVE LT
25	123713X		SPRING TORSION
26	110452X		NUT PUSH M
27	130968		DEFLECTOR.SHIELD
28	19111016		WASHER
29	131491		HINGE ROD
30	138776		SUB= 157722
31	129963		WASHER
32	129861		SUB= 153535
33	137266		SUB= 139729
34	72110614		BOLT
35	133835		XMAS TREE FASTNER
36	131494		FLAT IDLER PULLEY
37	19131316		WASHER
40	73680600		SUB= 73690600
41	133551		PIVOT ROD
43	140083		ROD CLUTCH W/NIBS
44	140088		GUARD MAND LH BLK
45	4497H		RETAINER M
46	137729		SCREW.1/4-20X5/8
48	133944		HARD SMALL WASHER
49	133940		SUB= 151785
50	131340		SHOULDER BOLT
51	69180		LOCKNUT
52	139888		BOLT.SHLD.5/16-18
53	131845		BRAKE PAD ARM ASM
54	133943		HARDENED WASHER
55	140084		SUB= 151785
56	122052X		SPACER RETAINER
58	140086		SPRING TORSN BRAK
59	141043		GUARD IDLER TUV
67	106932X		KNOB T(3/8 HOLE)
68	144200		BELT.V.T-PATH
71	142427		ROD CLUTCH 38/42
72	131870		RETURN SPRING
73	127847		CLUTCH ARM SECOND

Ref #	Part Number	Qty	Description
74	121748X		WASHER
75	12000029		RING
76	128903		SHOULDER BOLT
77	127845		SPRING KEEPER
78	140334		SUB= 154810
79	127498		BUSHING
80	128759		SUB= 918128759
81	73350600		NUT
82	142028		TRUNION ADJ
83	120958X		WASHER
84	144394		SUB= 156084
85	72140620		BOLT
92	73800600		NUT
	130794		MANDREL ASM
	144783		SUB= 164962

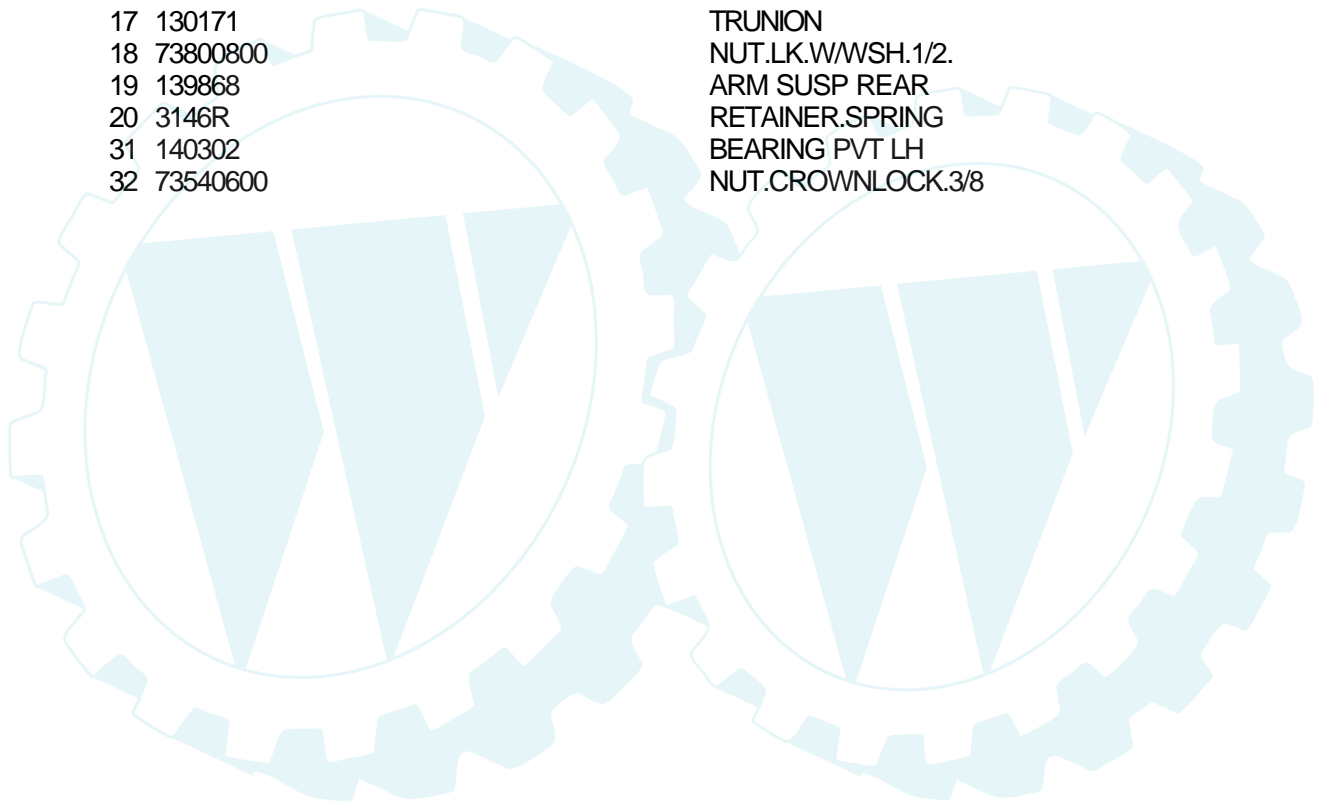


### TRACTOR - - MODEL NUMBER 2H4B6A

### MOWER LIFT

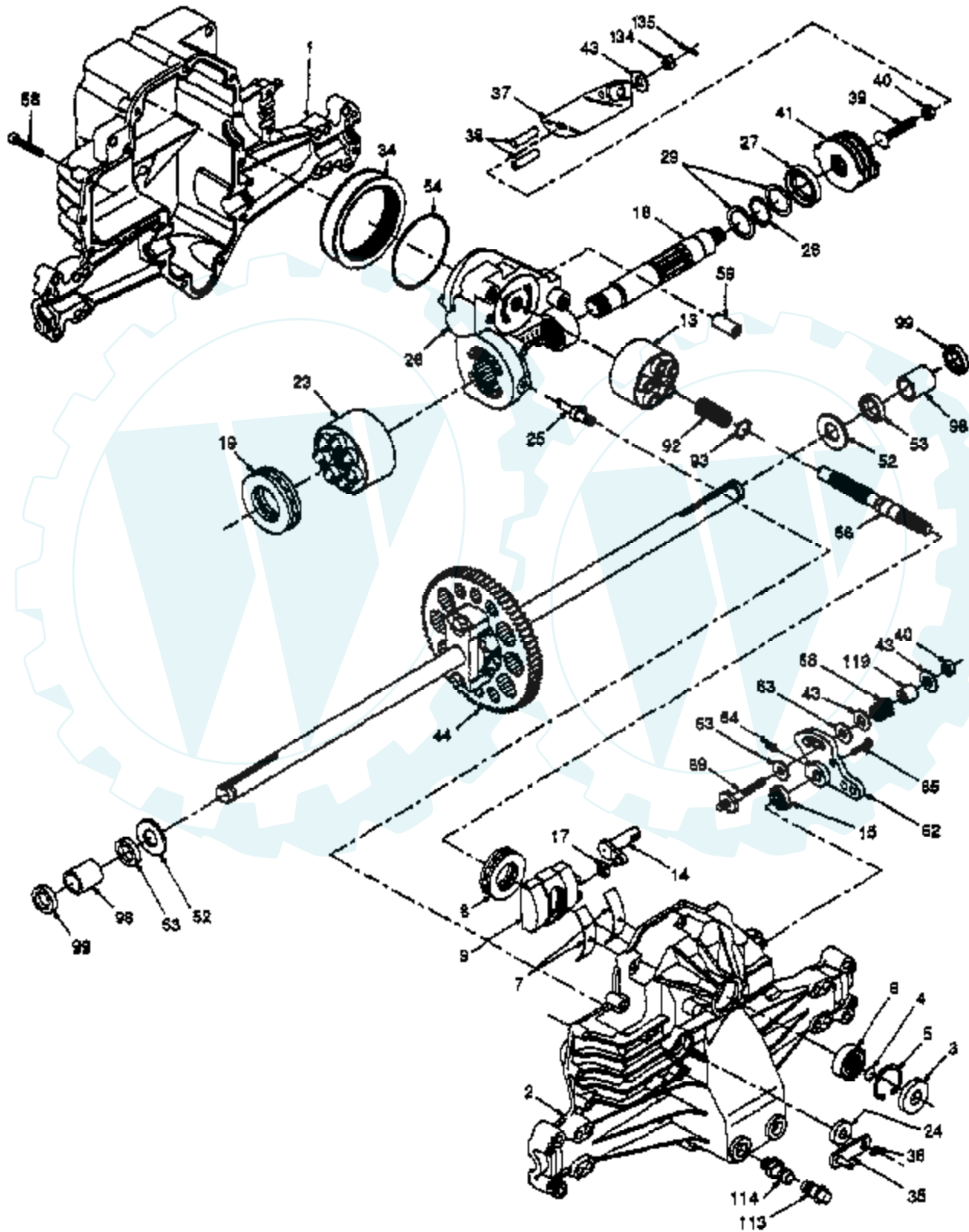


Ref #	Part Number	Qty	Description
1	136973		WIRE ASM
2	122507X		SUB= 145117
3	105767X		PIN-GROOVE LT
4	12000002		SUB= 2225J
5	19211621		WASHER
6	120183X		NYLON BEARING
7	109413X		GRIP
8	124526X		SUB= 125925X
10	122512X		SUB= 532122512
11	139865		SUB= 918139865
12	139866		SUB= 151140
13	4939M		SUB= 85902
15	127218		LINK.FRONT
16	73350800		NUT
17	130171		TRUNION
18	73800800		NUT.LK.W/WSH.1/2.
19	139868		ARM SUSP REAR
20	3146R		RETAINER.SPRING
31	140302		BEARING PVT LH
32	73540600		NUT.CROWNLOCK.3/8



# TRACTOR - - MODEL NUMBER 2H4B6A

## TRANSAXLE - HYDRO GEAR MODEL NUMBER 310-0500





Ref #	Part Number	Qty	Description
1	142986		HOUSING.L.44863RM
2	142987		HOUSING.UPR.70122
3	142932		SEAL.9008000-0128
4	142928		RING.RET.2003016.
5	142933		RING.RET.2003052.
6	142934		BEARING.(50552)42X68X16
7	142935		CRADLE- 2003023.
8	142936		BEARING.2003044.
9	142937		SWASHPLT.2003087.
13	142938		BLOCK.CLYN.70079.
14	142939		ARM.TRUN.2003005.
15	142940		SEAL.9008000-0126
17	142941		GUIDE.2000015.
18	142988		SHAFT.HYD.2003557
19	142943		BEARING.THS.50019
23	142944		BLOCK.CYLIN.70082
24	142945		SEAL.LIP.45074
25	142946		ACTUATOR.2003555
26	142947		KIT.CENTER.70133
27	142948		SEAL.LIP.45075
28	142949		RING RETAIN 50007
29	142950		WASHER.44872
34	142951		ELEMENT.OIL.44964
35	142952		ARM.BYPASS.50270
36	142953		RING.RETAIN.44870
37	142954		ARM.ACTUAT.23710
38	142955		PIN.ACTUAT.44891
39	142956		SUB= 149705
40	142957		NUT.LOCK.HX.50108
41	142958		KIT.BRAKE.70135
43	142884		WASHER HYD 44130
44	142990		DIFFERENTIAL.70126
52	142991		WASHER.HYD.44875
53	142961		SEAL.HYDRO.45076
54	142962		O RING.HYD.45077
56	142963		SHAFT.INPUT.50005
58	142964		BOLT.1/4-20.44876
59	142965		PIN.HYDRO.50002
62	142966		ARM.CONTROL.50254
63	142967		PUCK.DAMPER.50281
64	142920		SCREW.SET.50018.
65	142968		BOLT #8-32 X .875
68	142969		SPRING.HYD.50277
92	142977		SPRING.2003014.
93	142978		WASHER.2003017
98	142993		BEARING.SLV.50137
99	142976		SEAL.WIPER.50941
113	142917		CAP.VENT.70109
114	142918		O-RING.ASM.70110
119	142980		SPACER.HYD.50278
134	144607		NUT.CAS.HYD.44142
135	144608		PIN.COT.HYD.44101