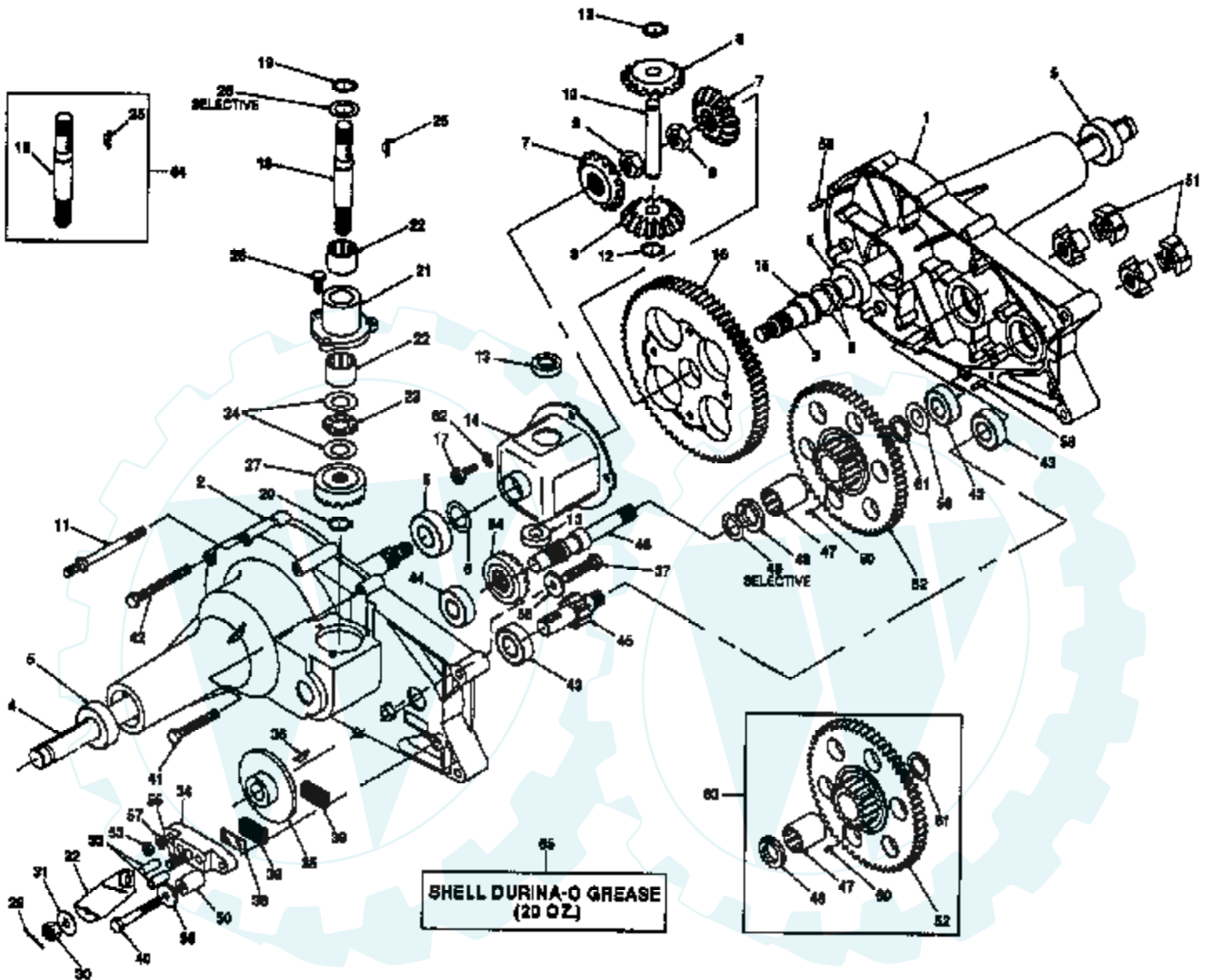


12.5 HP 42" TRACTOR - - MODEL NUMBER YC125H42A AGRI-FAB TRANSAXLE - MODEL NUMBER 121431X

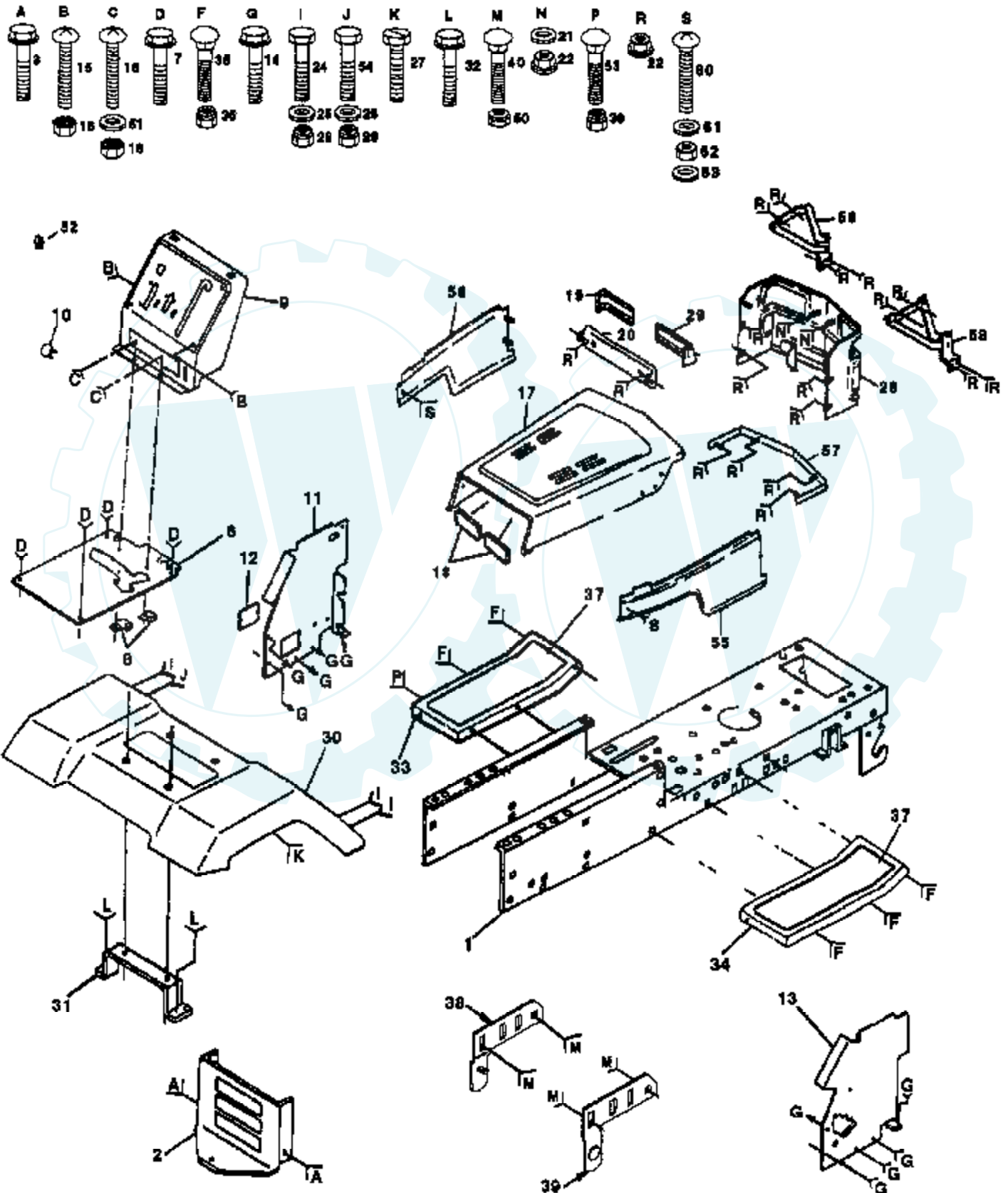


Ref #	Part Number	Qty	Description
1	122614x		HSG HALF LH-44077
2	122615X		HSG HALF RH-44076
3	122616x		AXLE LH -44273
4	122620x		AXLE RH-44272 *NLA*
5	122621x		BEARING.44121.AGR
6	122622x		WASHER -44008
7	122623x		GEAR MITER -44096
8	122624x		GEAR MITER -44097 (15 TEETH)
9	122625x		NUT -44133
10	122626x		No Desc
11	122688x		SCREW-STUD -44271
12	122629x		SNAP RING -44146
13	122631x		THRUST, BEARING -44128
14	122633x		HOUSING.ASM.DIFF.-62590
15	122634x		FLANGE, BEARING-44129
16	122640x		GEAR
17	122641x		BOLT -44126
18	122642x		No Desc
19	122643x		SNAP RING -44145
20	122644x		RET RING (44144)
21	122645x		No Desc
22	122646x		NEEDLE, BEARING 44099
23	122647x		BEARING.NEE.44139
24	122648x		WASHER-44109
25	122649x		KEY.44136.HYDRO
26	122650x		SCREW *
27	122651x		GEAR (44078)
28	123061x		WASHER -44371
	122678x		WASHER FLAT NLA -44110
	122654		WASHER FL
29	122656x		No Desc
30	122653x		WASHER -44150 *NLA*
31	122659x		WASHER FLAT -44130
32	122660x		ARM BRAKE 23710
33	122662x		PIN BRAKE ACTUATO -44127
34	122663x		BRAKE YOKE
35	122664x		DISC BRAKE -(44090)
36	123065x		KEY -44143
37	122666x		SCREW -44277
38	122667x		PLATE PUCK -44134
39	122668x		No Desc
40	123066x		SCREW -44300
41	122670x		SCREW -44123
42	122671x		SCREW -44124
43	126982x		NOTFOUND *NLA*
44	122673x		BALL, BEARING -44232
45	122674x		SHAFT PINION 44083
46	122675x		SHAFT DRIVE-44080
47	123059x		NEEDLE BEARING -44342
48	123060		BRONZE THRUST BRG
49	123061x		WASHER -44371
	122654x		WASHER-44151
50	122689x		SPACER -23711
51	121839x		COUPLING- 44084
52	126975x		GEAR.60/17.44523
53	122682x		NUT -43178
54	122683x		PINION-DR 44079
55	122684x		BOLT SQ HD *

Ref #	Part Number	Qty	Description
56	122685x		WASHER -44278
57	122686x		WASHER -44137
58	122687x		PIN ROLL-44269
59	122652x		WASHER -44125
60	123062x		DOWEL PIN -44346
61	123063x		SEAL GREASE -44394
62	126977x		WASHER.43177.AGRI
63	126980x		ASS'Y GEAR REDUCT
64	126981x		No Desc
65	126976x		GREASE.50416.10OZ
	121431x		TRANSAXLE.AGRIFAB



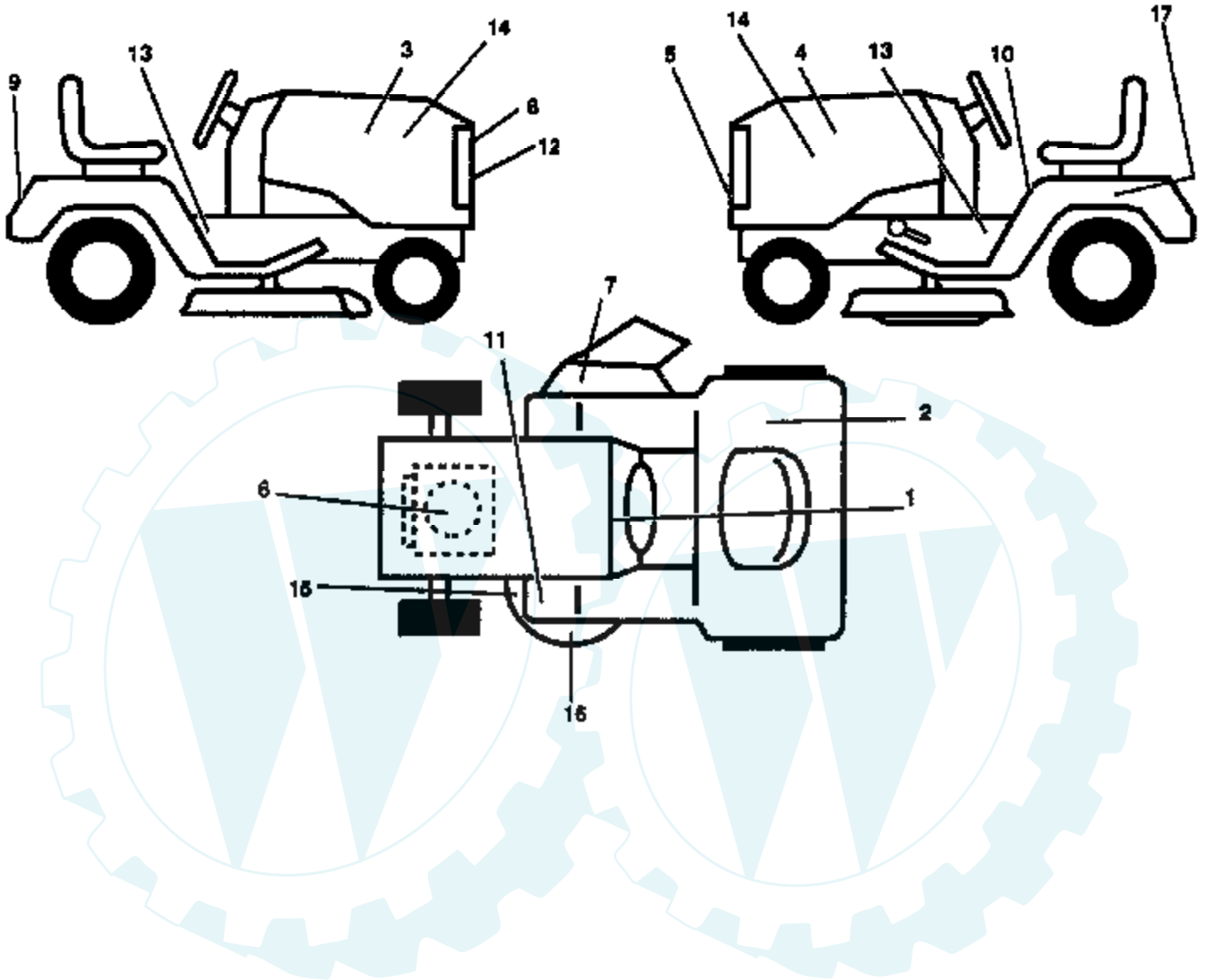
12.5 HP 42" TRACTOR - - MODEL NUMBER YC125H42A CHASSIS AND ENCLOSURES



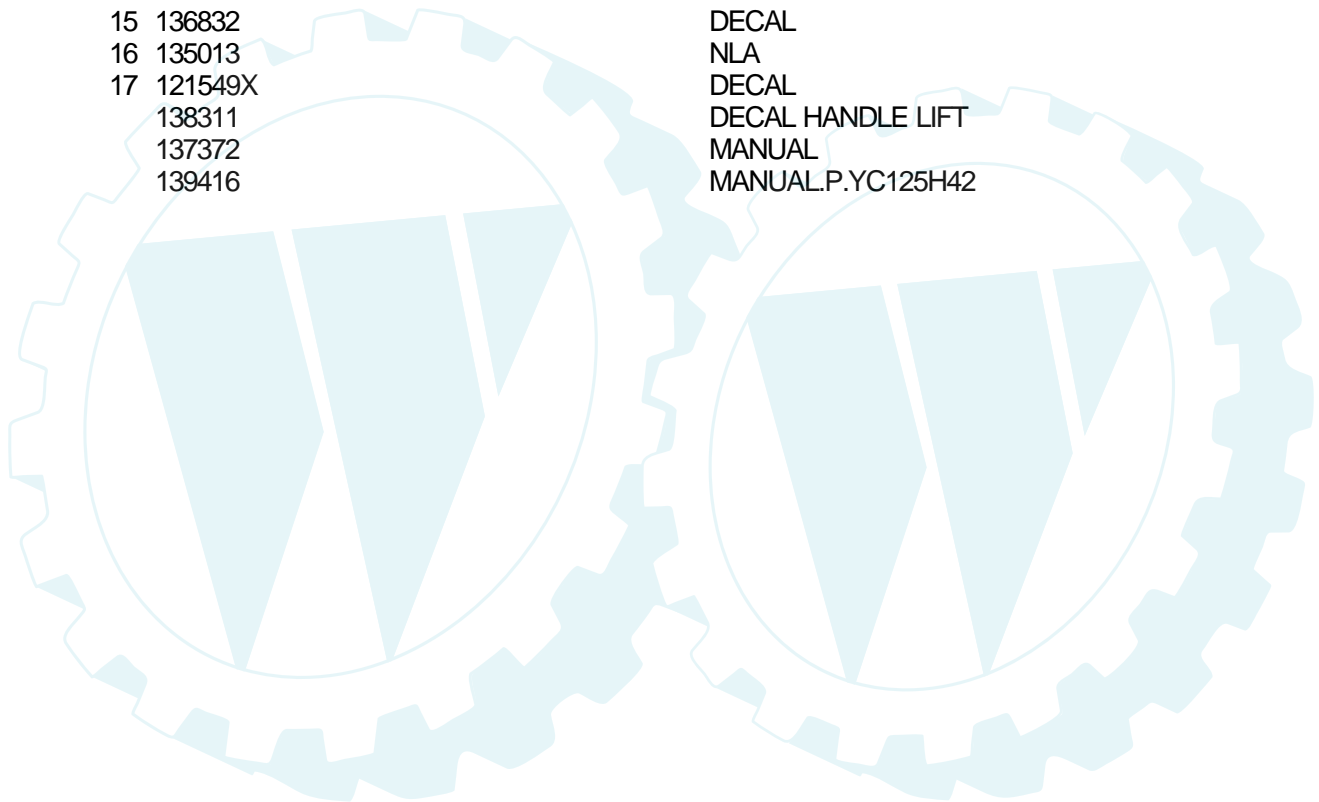
Ref #	Part Number	Qty	Description
1	135033		CHASSIS ASM
2	137275		SUB= 145009
3	17490612		SCREW
6	126595X014		SADDLE
7	17490608		SCREW LT
8	126471X		"CLIP,INSULATOR"
9	137411X011		DASH
10	5479J		PLUG BUTTON T
11	122795X		PANEL DASH LH
12	121794X		COVER ACCESS
13	124031X		SUB= 155934X010
14	17490608		SCREW LT
15	74180512		SCREW
16	73510500		NUT
17	105682X505		HOOD ASM.
18	126938X		SUB= 532126938
19	108361X		LENS LH LT
20	132257		SUB= 918132257
21	19091216		WASHER PM
22	108067X		PAL NUT LT
24	74760612		SUB= 74780612
25	19131312		WASHER
26	73680600		SUB= 73690600
27	17490608		SCREW LT
28	128313		SUB= 532128313
29	108360X		LENS RH LT
30	126599X505		FENDER
31	136619		BRKT FENDER
32	17490612		SCREW
33	105465X505		SUB= 145244X505
34	105464X505		SUB= 145243X505
35	72110606		BOLT
36	73680600		SUB= 73690600
37	133671		FOOTREST PAD
38	134774		PIVOT BRKT LH
39	134775		PIVOT BRKT RH
40	72140608		SUB= 72110608
50	73800600		NUT
51	19131216		WASHER
52	134014		PLUG DOME
53	72140608		SUB= 72110608
54	74760614		SUB= 74760616
55	106927X505		SIDE PANEL ASM RH
56	106929X505		SIDE PANEL ASM LH
57	109745X505		STRAP ASM GRILL
58	105792X		"HINGE,HOOD,RH T"
59	105797X		"HINGE,HOOD,LH T"
60	127317X		"SCREW,SPECIAL"
61	129664		WASHER
62	127316X		RETAINER
63	127318X		"GROMMET,PLASTIC"

12.5 HP 42" TRACTOR - - MODEL NUMBER YC125H42A

DECALS

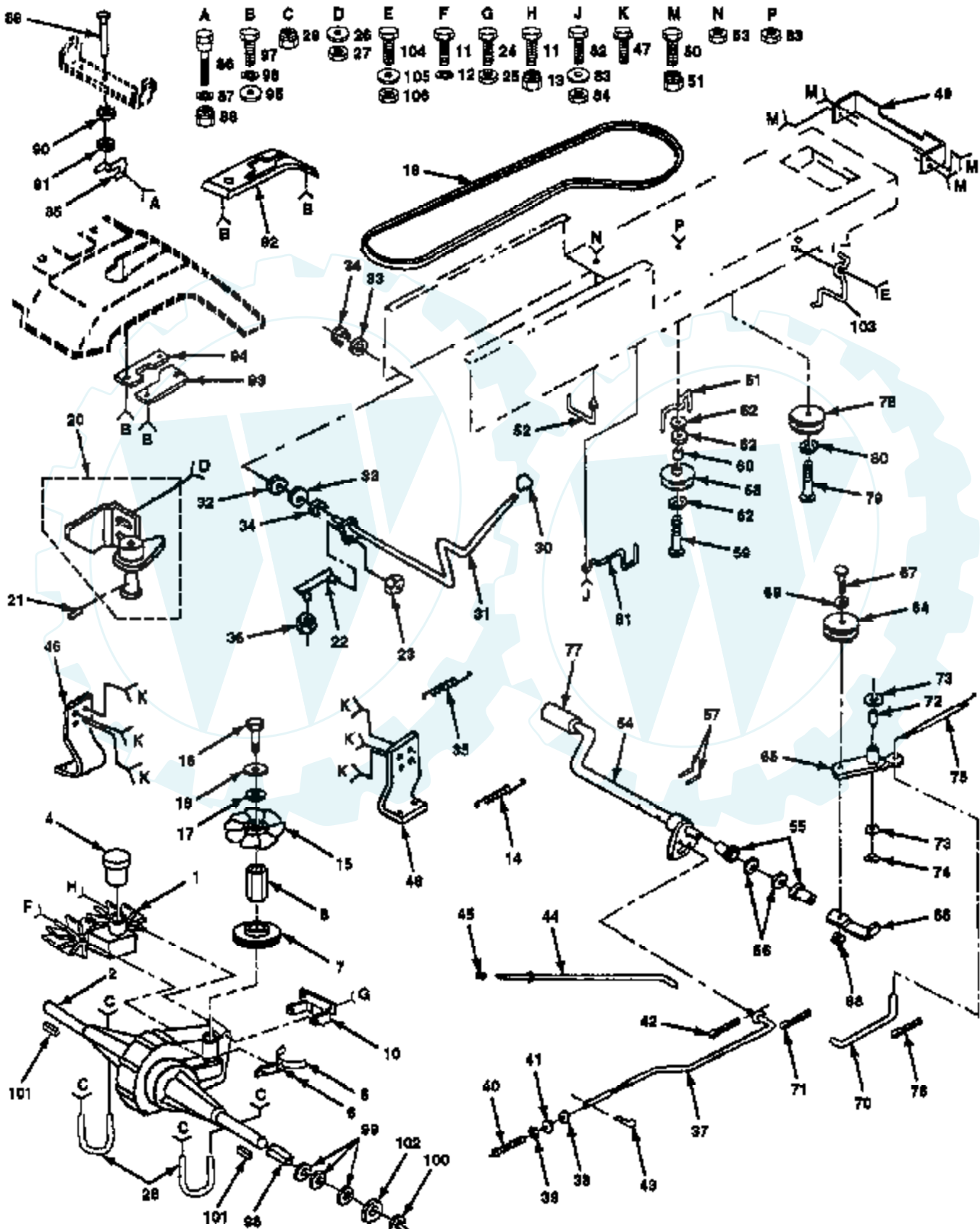


Ref #	Part Number	Qty	Description
1	136795		SUB= 138956
2	126187X		SUB= 532126187
3	124151X		NLA
4	124152X		NLA
5	105807X		NLA
6	129057		SUB= 532129057
7	137259		"DECAL, WARNING"
8	139337		DECAL.GRILL.
9	123689X		NLA
10	133795		DECAL CAUTION
11	101892X		DECAL T
12	139141		DECAL.GRILL.YARDP
13	137588		DECAL.CHAS.TURBO
14	138448		DECAL.PANEL.SIDE
15	136832		DECAL
16	135013		NLA
17	121549X		DECAL
	138311		DECAL HANDLE LIFT
	137372		MANUAL
	139416		MANUAL.P.YC125H42



12.5 HP 42" TRACTOR - - MODEL NUMBER YC125H42A

DRIVE



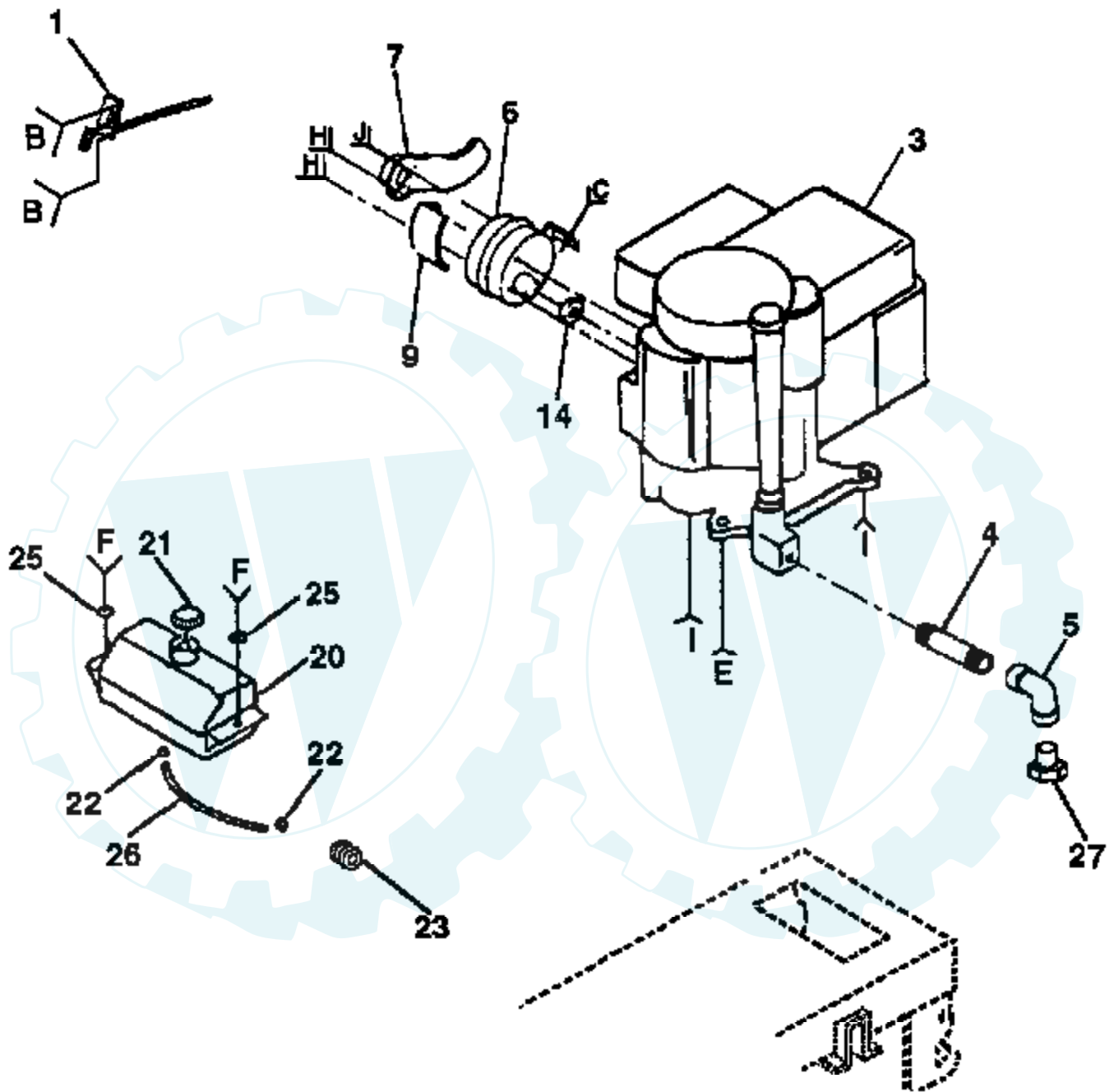
Ref #	Part Number	Qty	Description
1	121430X		PUMP.BDU-10S-114
2	121431X		TRANSAXLE.AGRIFAB
4	121323X		PUMP.2003081.
5	126581X		"GRD ASS'Y,BELT"
6	73680400		SUB= 73690400
7	126579X		"PULLEY,TRANSAXLE"
8	121211X		STANDOFF
10	121188X		BRACKET
11	74780572		BOLT YT
12	10040500		LOCKWASHER
13	73680500		SUB= 73690500
14	110422X		SUB= 146682
15	126578X		"FAN,HYDRO"
16	74780412		SUB= 74780414
17	19092016		WASHER
18	10040400		LOCKWASHER
19	137589		V-BELT
20	126912X		"FRICTION,PACK ASS"
21	126655X		"PIN,ROLL METRIC"
22	137328		"ROD, TIE"
23	73040400		NUT WIZLOC T
24	74760612		SUB= 74780612
25	73680600		SUB= 73690600
26	19131216		WASHER
27	73680600		SUB= 73690600
28	121189X		U BOLT
29	73680600		SUB= 73690600
30	106933X		KNOB T (1/2-HOLE)
31	126592X		"LEVER,CONTROL"
32	126590X		"BUSHING,PIVOT"
33	126591X		"WSHER,SHIM"
34	12000003		RING T
35	126910X		"SPRING,EXTENTION"
36	73040400		NUT WIZLOC T
37	137630		"ROD, BRAKE"
38	73800600		NUT
39	73350600		NUT
40	106888X		SPRING ROD LT
41	19131316		WASHER
42	4921H		SPRING.RETAINER
43	4497H		RETAINER M
44	128904		PARKING BRAKE ROD
45	71673		PLUNGER CAP T
46	136922		"BRKT, MTG."
47	17490616		SCREW GTV
49	138307		BRKT.MOUNTING
50	72110606		BOLT
51	73680600		SUB= 73690600
52	126577X		"KEEPER,CENTERSPAN"
53	73680600		SUB= 73690600
54	122424X		SUB= 149001
55	120183X		NYLON BEARING
56	19211616		WASHER LT
57	1572H		SUB= 2882J
58	123674X		PULLEY.IDLER.FLAT
59	74760644		BOLT
60	4470J		SPACER T
61	109070X		BELT KEEPER LT

Ref #	Part Number	Qty	Description
62	19131312		WASHER
63	73680600		SUB= 73690600
64	127783		SUB= 139245
65	123789X		ARM IDLER
66	123205X		RETAIN BELT
67	74760624		SUB= 74930624
68	73680600		SUB= 73690600
69	19131316		WASHER
70	105710X		"LINK, CLUTCH T"
71	76020412		COTTER PIN
72	105706X		"LY, BEARING"
73	110812X		WASHER LT
74	12000039		KLIP RING
75	105709X		"SPRING, RETURN LT"
76	76020412		COTTER PIN
77	8883R		PEDAL COVER T
78	134825		SUB= 136004
79	7170764		BOLT HEX
80	10040700		LOCKWASHER
81	129921		KEEPER.BELT.ENG.L
82	74760616		BOLT
83	19131312		WASHER
84	73680600		SUB= 73690600
85	126575X		"ARM,BYPASS CONTRO"
86	7605J		BOLT T
87	110739X		WASHER T
88	73680400		SUB= 73690400
89	126654X		"CONSOLE,BYPASS"
90	11050600		LOCKWASHER
91	73610600		SUB= 7810H
92	126600X		"CONSOLE,SHIFT FEN"
93	126597X		"PLATE,NEUTRAL RH"
94	126598X		"PLATE,NEUTRAL LH"
95	19091216		WASHER PM
96	10040400		LOCKWASHER
97	74760408		SUB= 74230408
98	121199X		SPACER SPLIT
99	121749X		WASHER
100	12000001		E-RING LT
101	123583X		SQUARE KEY
102	121748X		WASHER
103	134683		KEEPER BELT ENG
104	74760616		BOLT
105	19132012		WASHER
106	73680600		SUB= 73690600

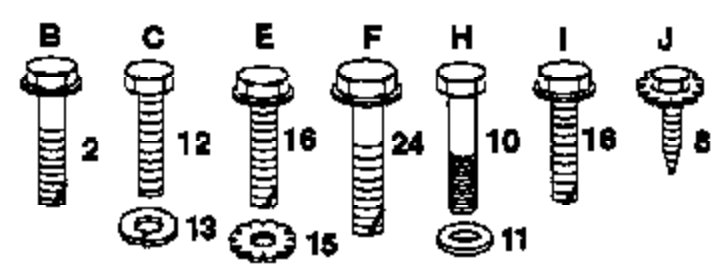
Ref #	Part Number	Qty	Description
1	121265X		SUB= 123899X
2	130890		SWITCH BRACKET
3	108236X		BRACKET LT
4	134064		IGN HARNESS
5	4207J		CABLE T
6	132202		SUB= 146147
7	4799J		"CABLE T, BATTERY"
8	129965		SUB= 156417
9	109596X		HOSE CLAMP T
10	138406		SUB= 146154
11	10090400		SUB= 10040400
12	73350400		NUT
13	74780408		BOLT
14	11050400		LOCKWASHER
15	73510400		NUT
16	131563		SUB= 154336
17	109553X		SWITCH INTERLOCKT
18	17021008		SCREW
19	4406R		SUB= STD365402
20	123620X		SUB= 141226
21	124211X		NUT IGNITION
22	121305X		SWITCH SEAT
23	121264X		"CAP,BATTERY "
24	74760412		BOLT LT
25	19091016		WASHER
26	10040400		LOCKWASHER
27	73220400		SUB= 50675
28	122147X		KEY
29	108824X		FUSE HYT
30	109238X		TUBE T
32	110712X		SWITCH LT
33	136849		SUB= 136850
34	7662J		SUB= 4152J
35	17021008		SCREW
36	11150400		LOCKWASHER

12.5 HP 42" TRACTOR - - MODEL NUMBER YC125H42A

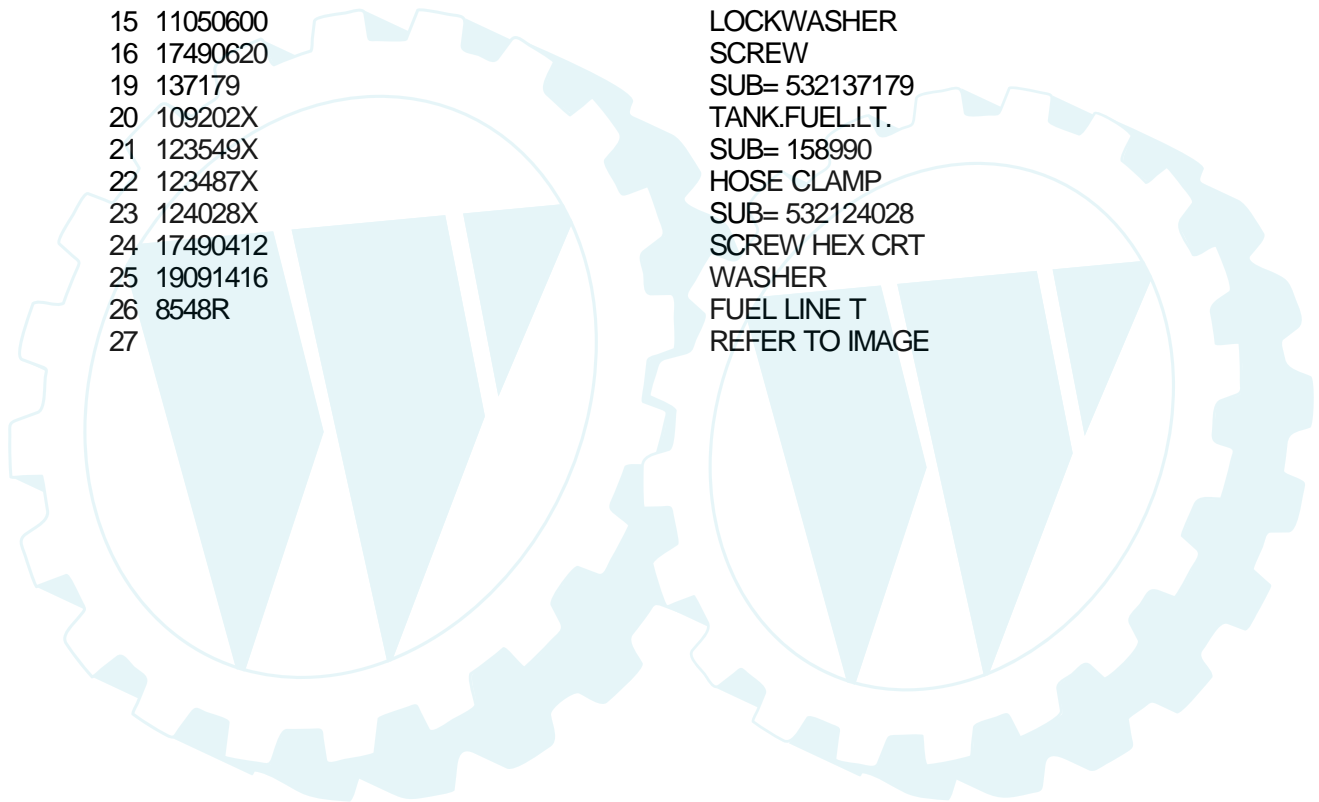
ENGINE



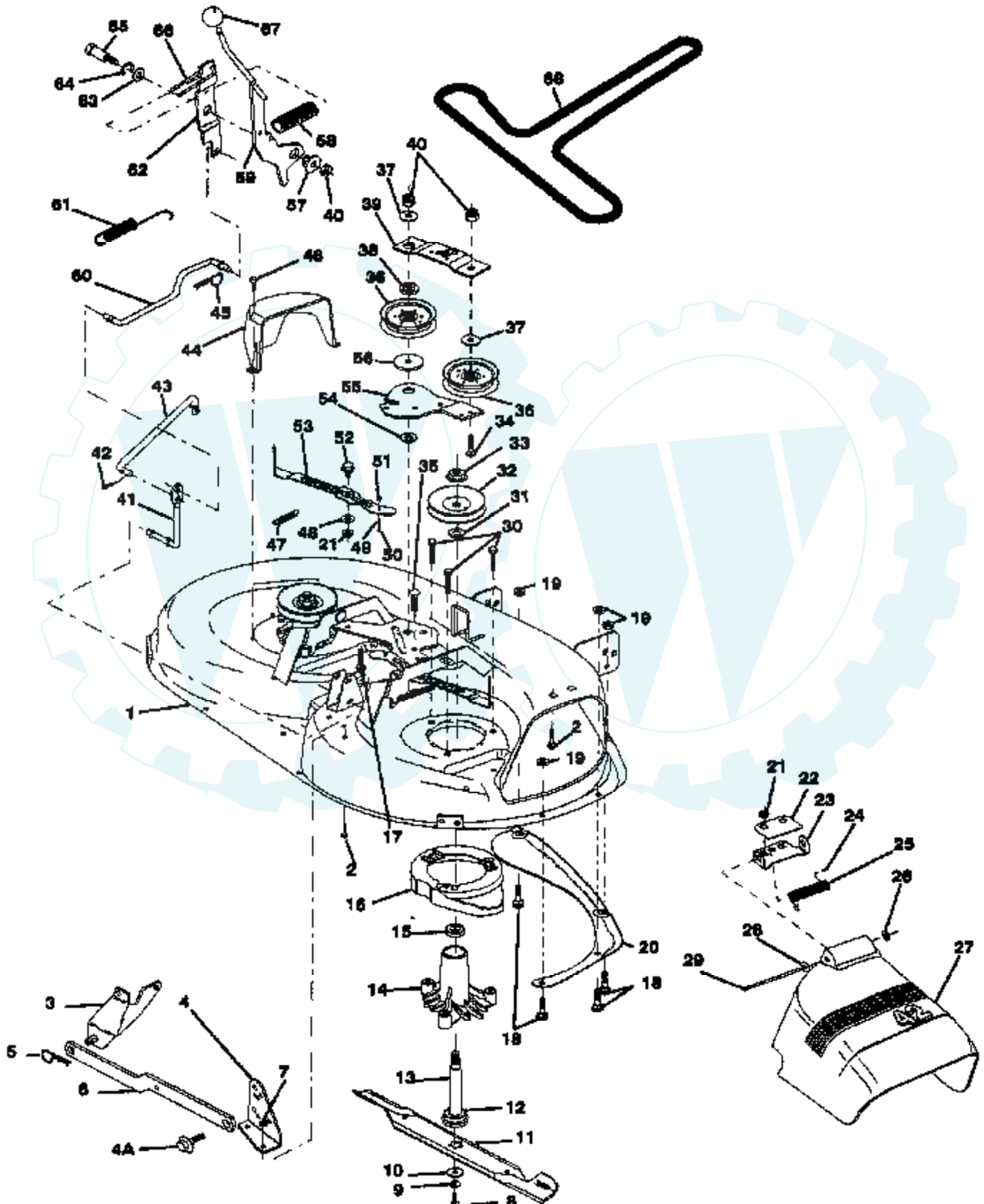
19
OPTIONAL EQUIPMENT
Spark Arrester



Ref #	Part Number	Qty	Description
1	132771		THROTTLE CONTROL
2	17720410		SCREW LT
3			REFER TO IMAGE
4	13280324		PIPE NIPPLE
5	13200300		ELBOW
6	101273M		MUFFLER LTV
7	108767X		DEFLECTOR MUFFLER
8	17030808		SUB= 17030814
9	101159L		SHIELD HEAT LTV
10	74780556		"BOLT,HEX"
11	19111012		WASHER T
12	74780408		BOLT
13	10040400		LOCKWASHER
14	125593X		SUB= 272293
15	11050600		LOCKWASHER
16	17490620		SCREW
19	137179		SUB= 532137179
20	109202X		TANK.FUEL.LT.
21	123549X		SUB= 158990
22	123487X		HOSE CLAMP
23	124028X		SUB= 532124028
24	17490412		SCREW HEX CRT
25	19091416		WASHER
26	8548R		FUEL LINE T
27			REFER TO IMAGE



12.5 HP 42" TRACTOR - - MODEL NUMBER YC125H42A 42" MOWER DECK



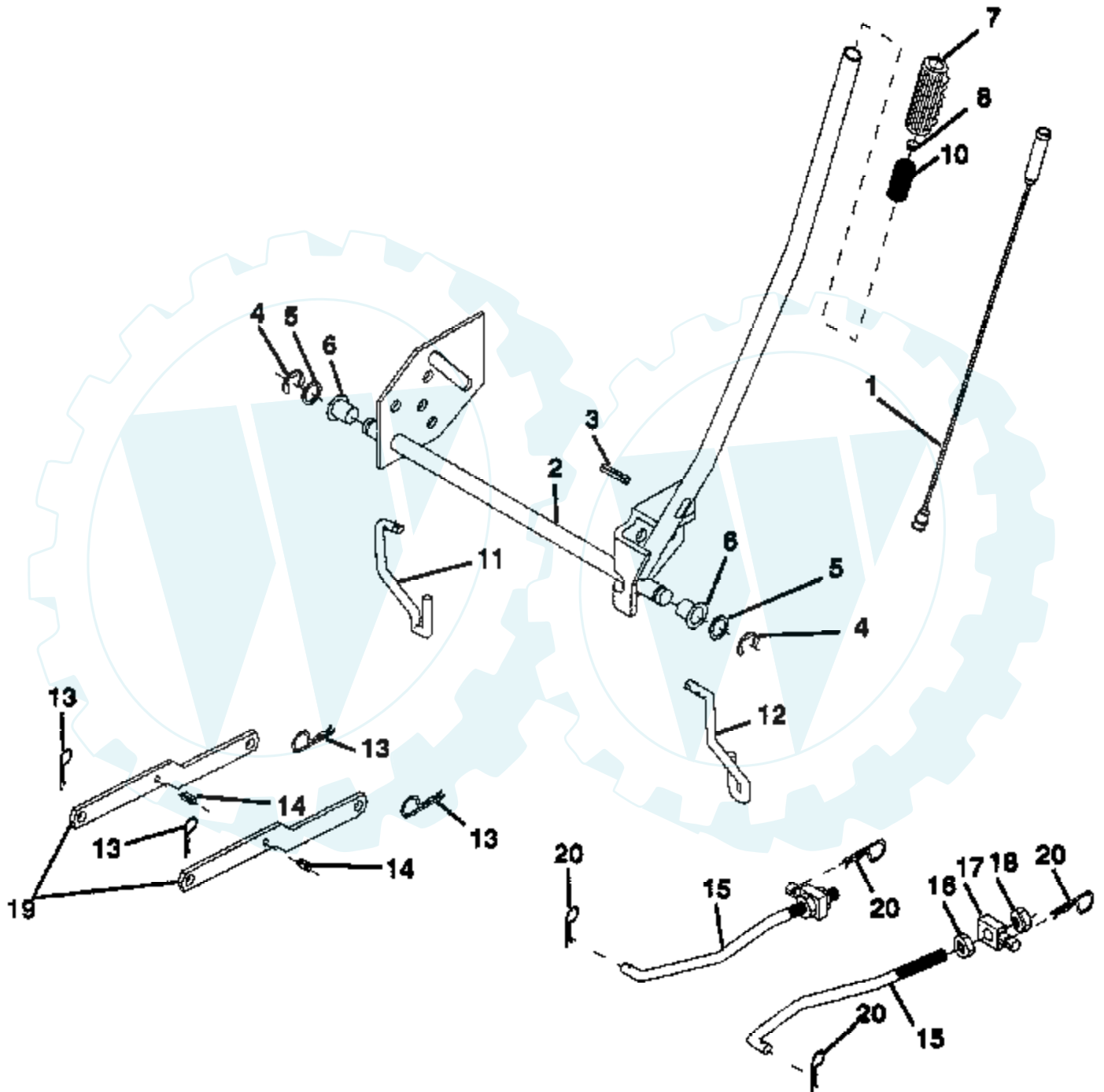
Ref #	Part Number	Qty	Description
1	138024		SUB= 145338
2	72140506		BOLT
3	138017		BRKT ASM SWAY BAR
4	138440		BRKT DECK SW BAR
4A	132827		BOLT SHD 5/16-18
5	4939M		SUB= 85902
6	130832		SUB= 130833
7	73800500		NUT
8	850857		BLADE BOLT
9	10030600		SUB= 10040600
10	129962		WASHER BLADE
11	138498		"BLADE.42"" HIPERF"
12	129895		BEARING.BALL
13	137645		SUB= 137646
14	128774		HSG ASM MANDREL
15	110485X		BEARING
16	136929		SUB= 140329
17	72110618		BOLT CARRIAGE
18	72140505		BOLT
19	73800500		NUT
20	136888		SUB= 918136888
21	73680500		SUB= 73690500
22	134753		STIFFENER BRKT
23	131267		DEFLECTOR BRKT
24	105304X		CAP-SLEEVE LT
25	123713X		SPRING TORSION
26	110452X		NUT PUSH M
27	130968		DEFLECTOR.SHIELD
28	19111016		WASHER
29	131491		HINGE ROD
30	78158		SUB= 17580520
31	129963		WASHER
32	129861		SUB= 153535
33	137266		SUB= 139729
34	72110614		BOLT
35	133835		XMAS TREE FASTNER
36	131494		FLAT IDLER PULLEY
37	19131612		WASHER GT
38	133502		RETAINER SPACER
39	133503		IDLER ARM STIFF
40	73680600		SUB= 73690600
41	133551		PIVOT ROD
42	76020312		SUB= 3145
43	133504		CLUTCH ROD SECOND
44	134236		SUB= 140088
45	4497H		RETAINER M
46	137729		SCREW.1/4-20X5/8
47	131335		SPRING EXTENSION
48	133944		HARD SMALL WASHER
49	133940		SUB= 151785
50	131340		SHOULDER BOLT
51	69180		LOCKNUT
52	105529X		SUB= 139888
53	131845		BRAKE PAD ARM ASM
54	133943		HARDENED WASHER
55	133844		IDLER ARM
56	122052X		SPACER RETAINER
57	127498		BUSHING

Ref #	Part Number	Qty	Description
58	128759		SUB= 918128759
59	133573		CLUTCH ARM PRI AS
60	134666		"ROD, CLUTCH PRIM"
61	131870		RETURN SPRING
62	127847		CLUTCH ARM SECOND
63	121748X		WASHER
64	12000029		RING
65	128903		SHOULDER BOLT
66	127845		SPRING KEEPER
67	106932X		KNOB T(3/8 HOLE)
68	130969		BELT-V.92.4.MWR
	130794		MANDREL ASM
	138358		SUB= 145411

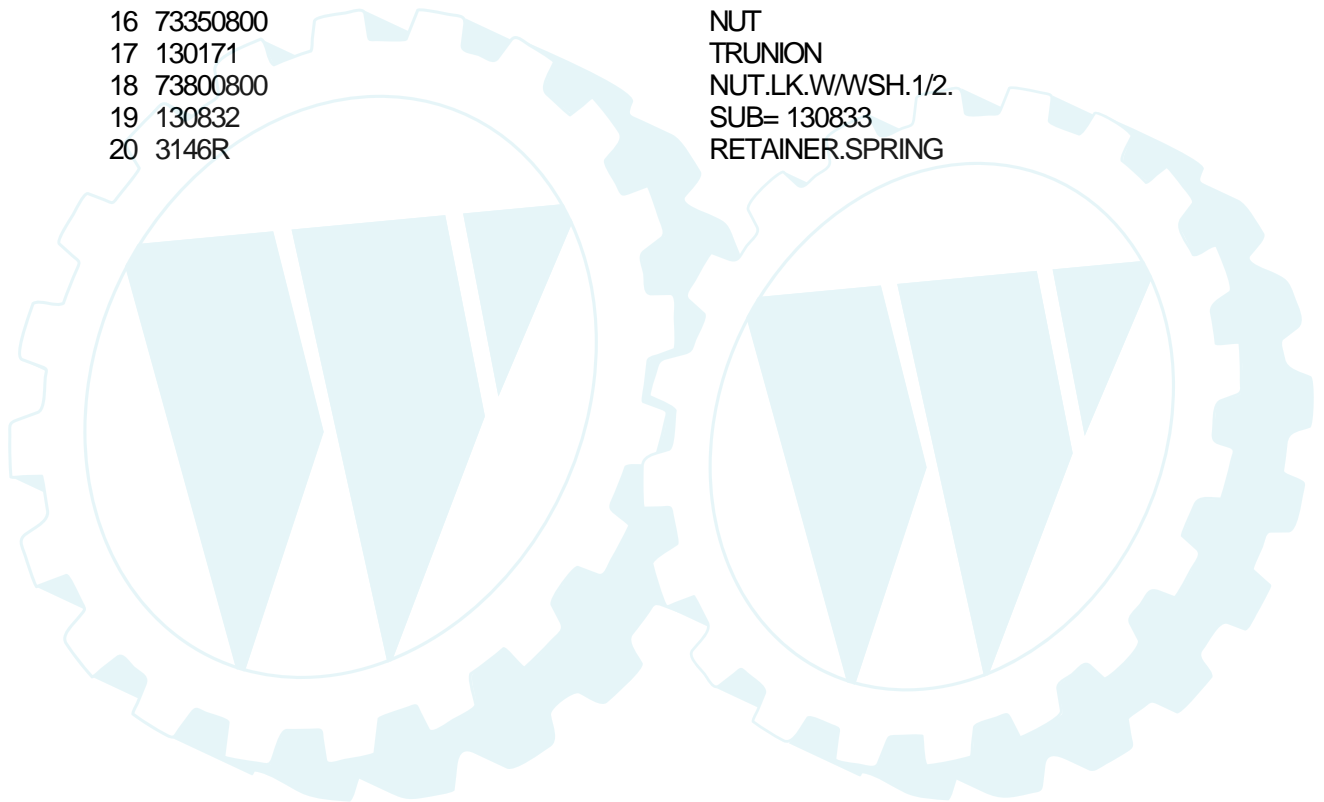


12.5 HP 42" TRACTOR - - MODEL NUMBER YC125H42A

42" MOWER LIFT

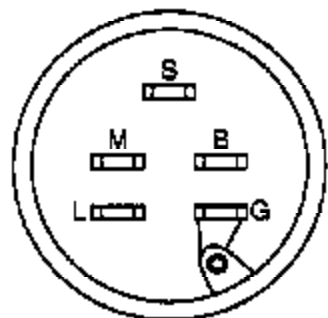
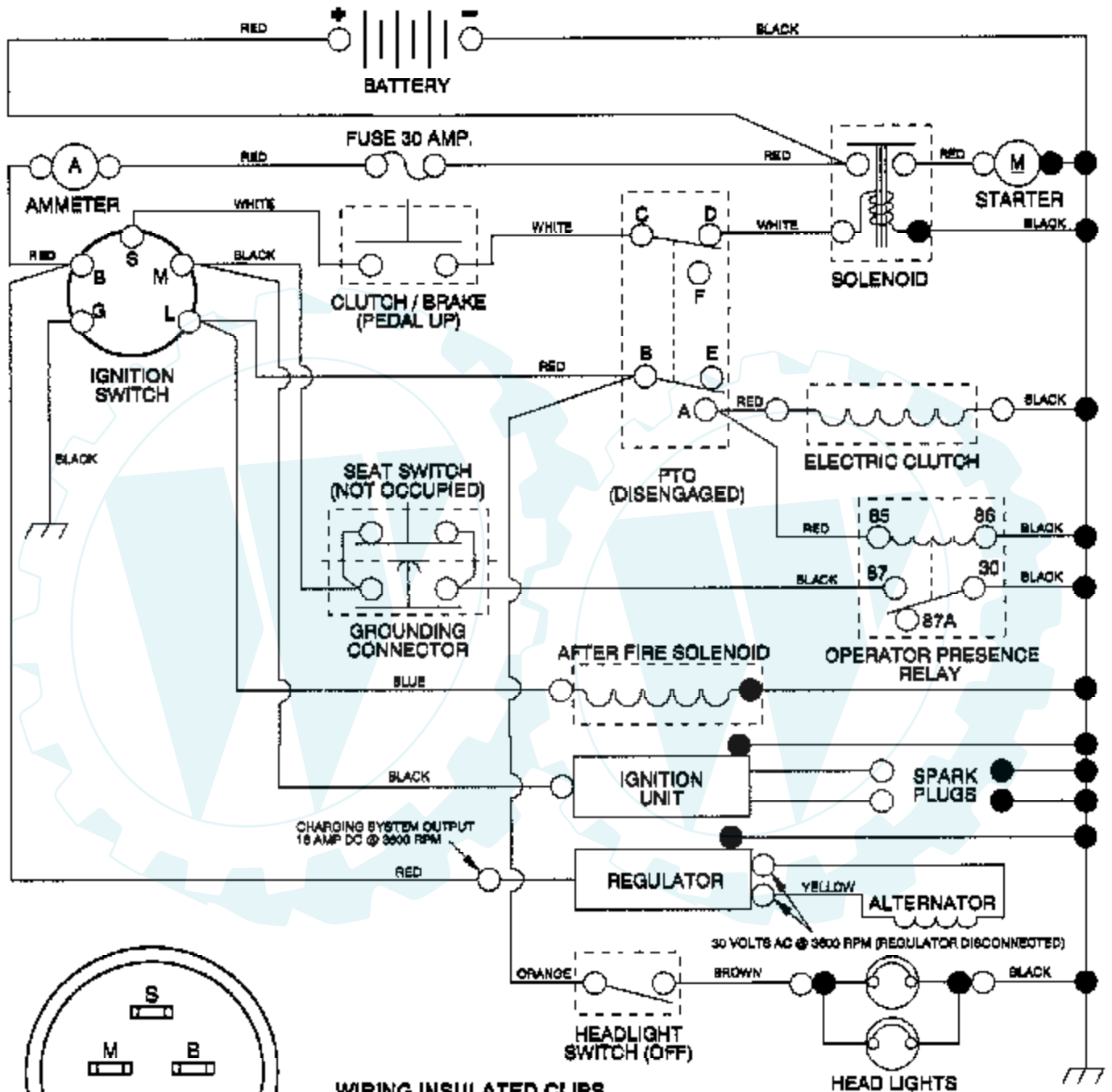


Ref #	Part Number	Qty	Description
1	136973		WIRE ASM
2	122507X		SUB= 145117
3	105767X		PIN-GROOVE LT
4	12000002		SUB= 2225J
5	19211621		WASHER
6	120183X		NYLON BEARING
7	109413X		GRIP
8	124526X		SUB= 125925X
10	122512X		SUB= 532122512
11	134619		LINK LIFT LH
12	135388		LIFT LINK RH
13	4939M		SUB= 85902
14	135563		"PIN,SPRING"
15	127218		LINK.FRONT
16	73350800		NUT
17	130171		TRUNION
18	73800800		NUT.LK.W/WSH.1/2.
19	130832		SUB= 130833
20	3146R		RETAINER.SPRING



12.5 HP 42" TRACTOR - - MODEL NUMBER YC125H42A

SCHEMATIC

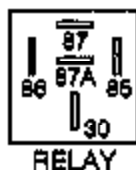


IGNITION SWITCH

POSITION	CIRCUIT
OFF	M + G
ON	B + L
START	B + S + L

WIRING INSULATED CLIPS

NOTE: IF WIRING INSULATED CLIPS WERE REMOVED FOR SERVICING OF UNIT, THEY SHOULD BE REPLACED TO PROPERLY SECURE YOUR WIRING



RELAY

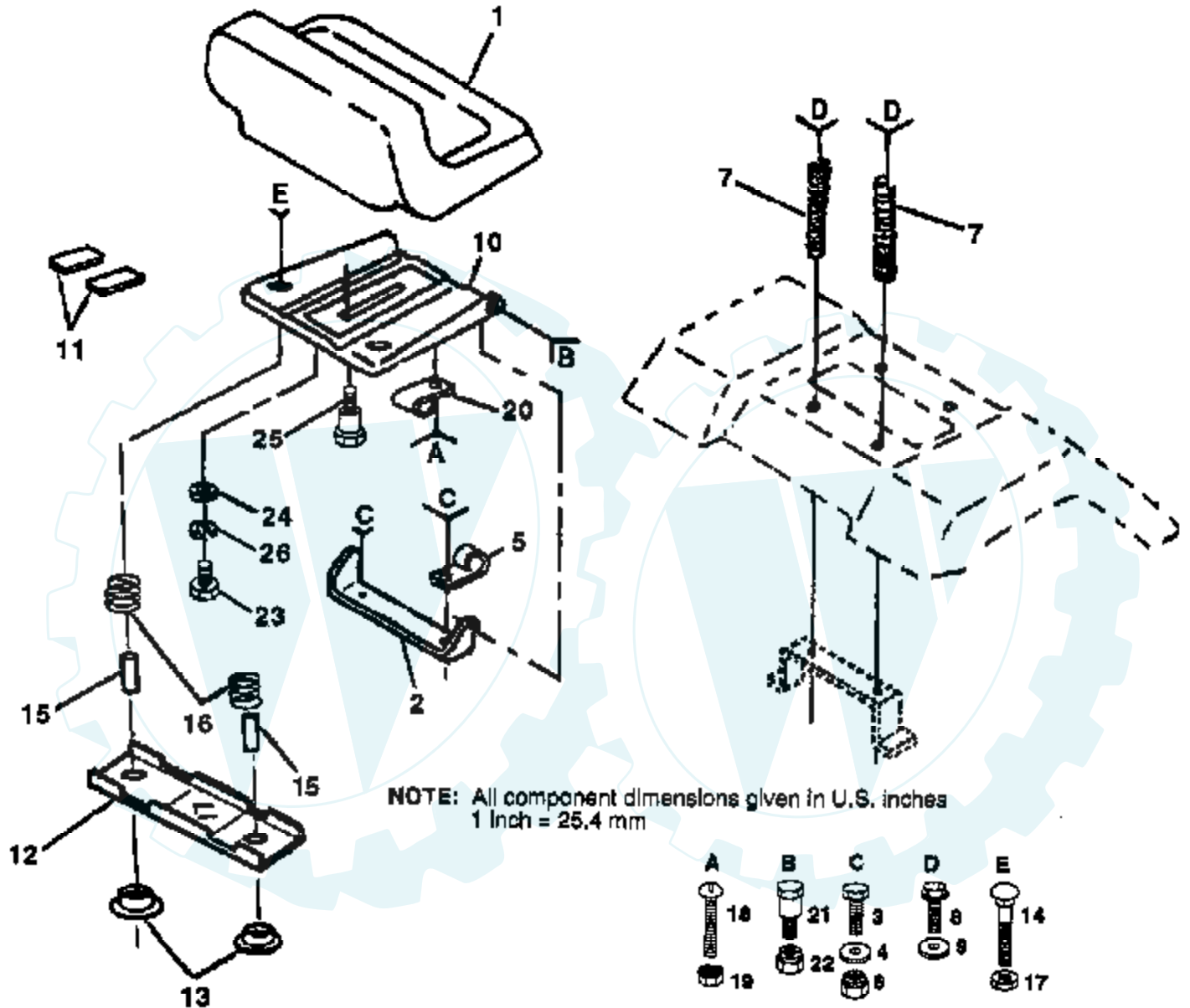
- NON-REMOVABLE CONNECTIONS
- REMOVABLE CONNECTIONS

PTO SWITCH

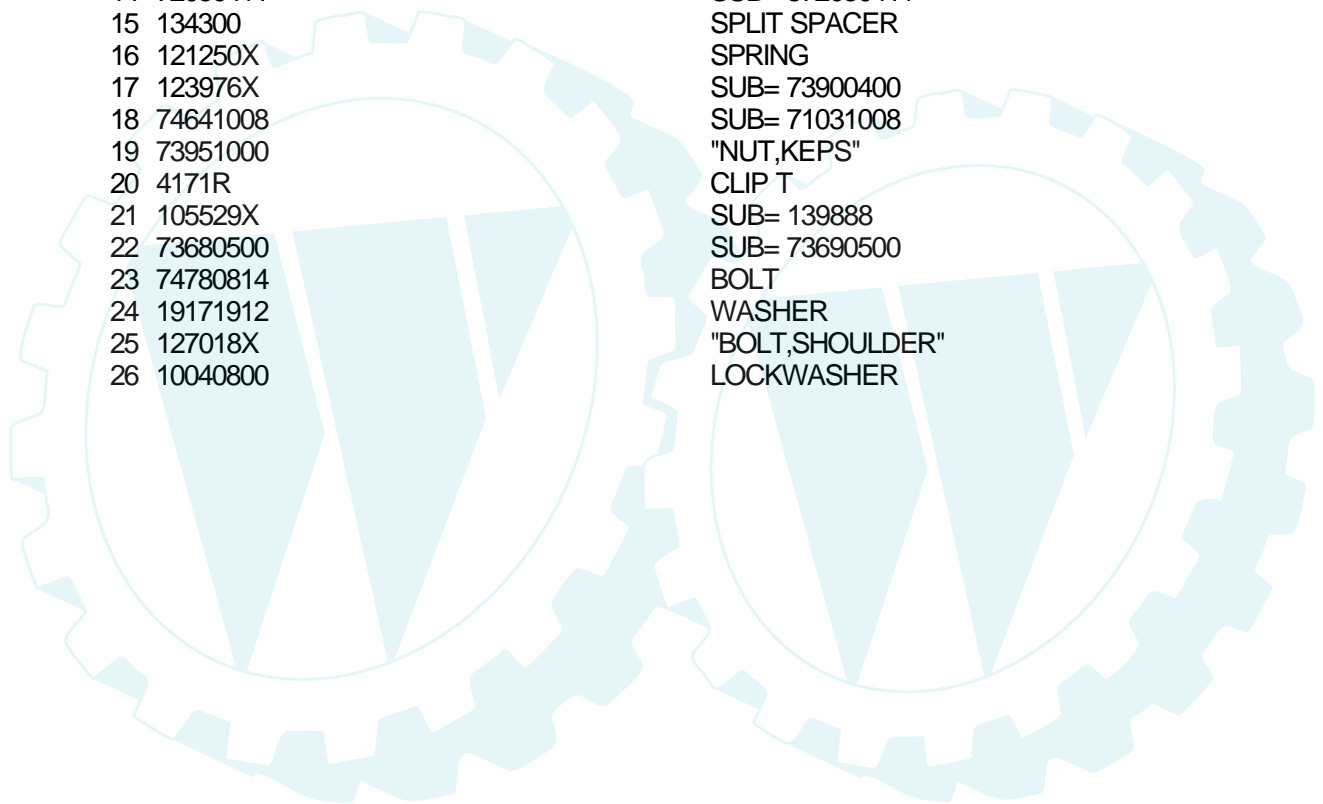
POSITION	CIRCUIT
OFF	B + E, C + D
ON	B + A, C + F



12.5 HP 42" TRACTOR - - MODEL NUMBER YC125H42A SEAT ASSEMBLY

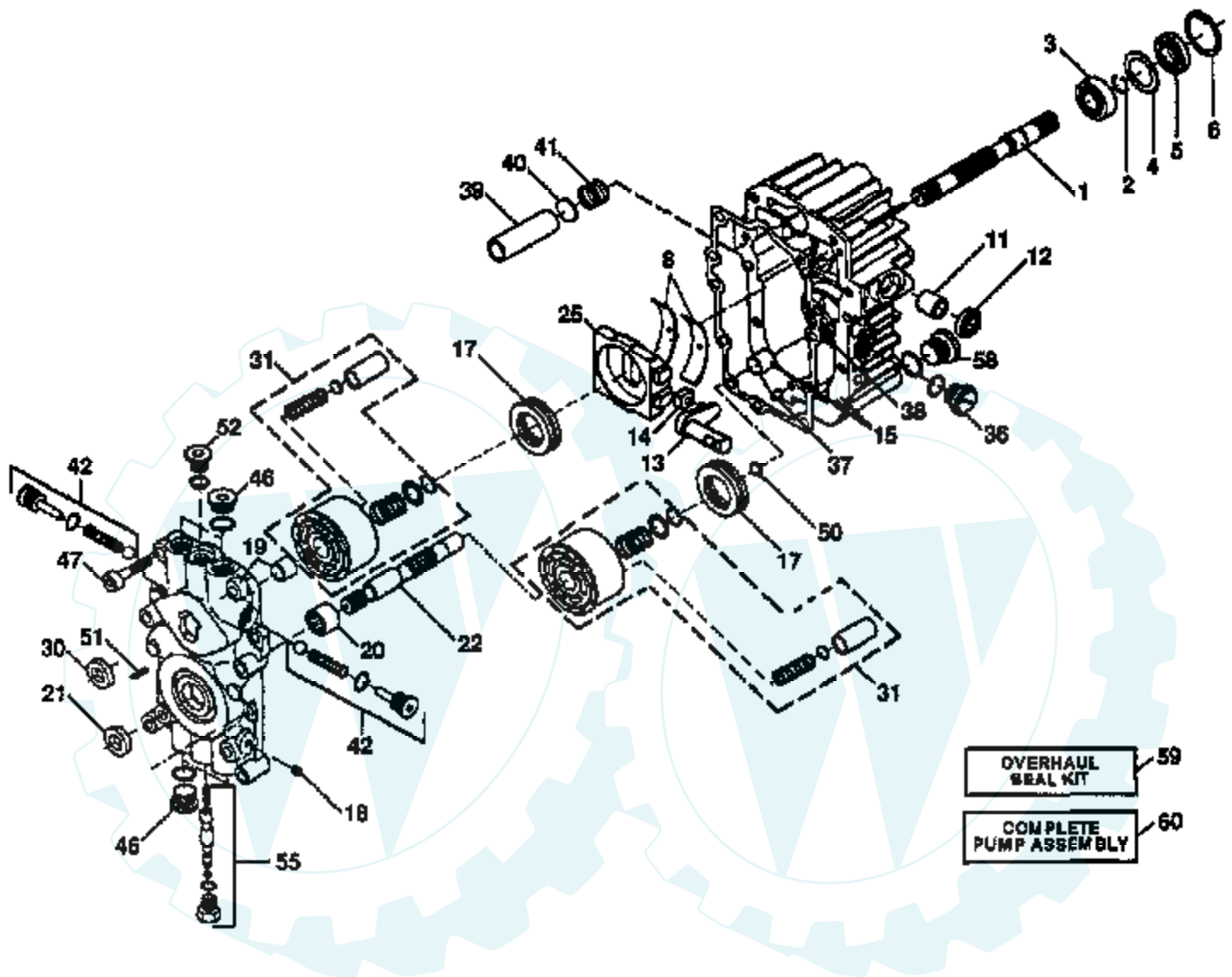


Ref #	Part Number	Qty	Description
1	139306		SUB= 140119
2	126656X		SUB= 140551
3	74760612		SUB= 74780612
4	19131610		WASHER PM
5	2751R		CLIP T
6	73680600		SUB= 73690600
7	124181X		SPRING COMPRESSIO
8	17490616		SCREW GTV
9	19131614		WASHER
10	131451		SUB= 155925
11	121251X		STRIP FORM
12	121246X		BRKT SWITCH
13	121248X		BUSHING
14	72050411		SUB= 872050411
15	134300		SPLIT SPACER
16	121250X		SPRING
17	123976X		SUB= 73900400
18	74641008		SUB= 71031008
19	73951000		"NUT,KEPS"
20	4171R		CLIP T
21	105529X		SUB= 139888
22	73680500		SUB= 73690500
23	74780814		BOLT
24	19171912		WASHER
25	127018X		"BOLT,SHOULDER"
26	10040800		LOCKWASHER



Ref #	Part Number	Qty	Description
1	121472X		SUB= 150546
2	133988		SUB= 142033
3	135227		SPINDLE LH
4	135228		SPINDLE RH
5	6266H		WASHER .T
6	121748X		WASHER
7	19272016		WASHER
8	12000029		RING
9	3366R		COL. SRTG. BEAR.
10	130468		SUB= 532130468
11	10040600		LOCKWASHER
12	73610600		SUB= 7810H
13	110438X		BEARING
14	74011056		BOLT HEX 5/8-11
15	73901000		"NUT-LOC,FLANGE LT"
16	132624		AXLE PIN
17	132614		SHAFT ASM
18	57079		THRUST WASHER
19	124035X		SUPPORT.SHAFT
20	126684X		SUB= 532126684
21	10040600		LOCKWASHER
22	71070410		"SCREW,SPECIAL"
23	127501		SUB= 918127501
24	109816X		NYLINER T
25	124036X		"BRKT,STEERING"
26	12000029		RING
27	136874		GEAR SECTOR
28	6266H		WASHER .T
29	17490612		SCREW
30	10040600		LOCKWASHER
31	73610600		SUB= 7810H
32	130465		TIE ROD
33	126847X		BUSHING.DRAGLINK
34	19131416		WASHER
35	76020412		COTTER PIN
36	132196		SUB= 155106
37	17431008		SUB= 98000165
38	121584X		INSERT STEERING
39	19133808		WASHER T
40	7810H		GRIPCO NUT
41	104820X		ADAPTER-WHEEL LT
42	124418X		"TUBE, STR SHAFT"
43	121749X		WASHER
44	121748X		WASHER
45	12000029		RING
46	121232X		CAP
47	6855M		ZERK M

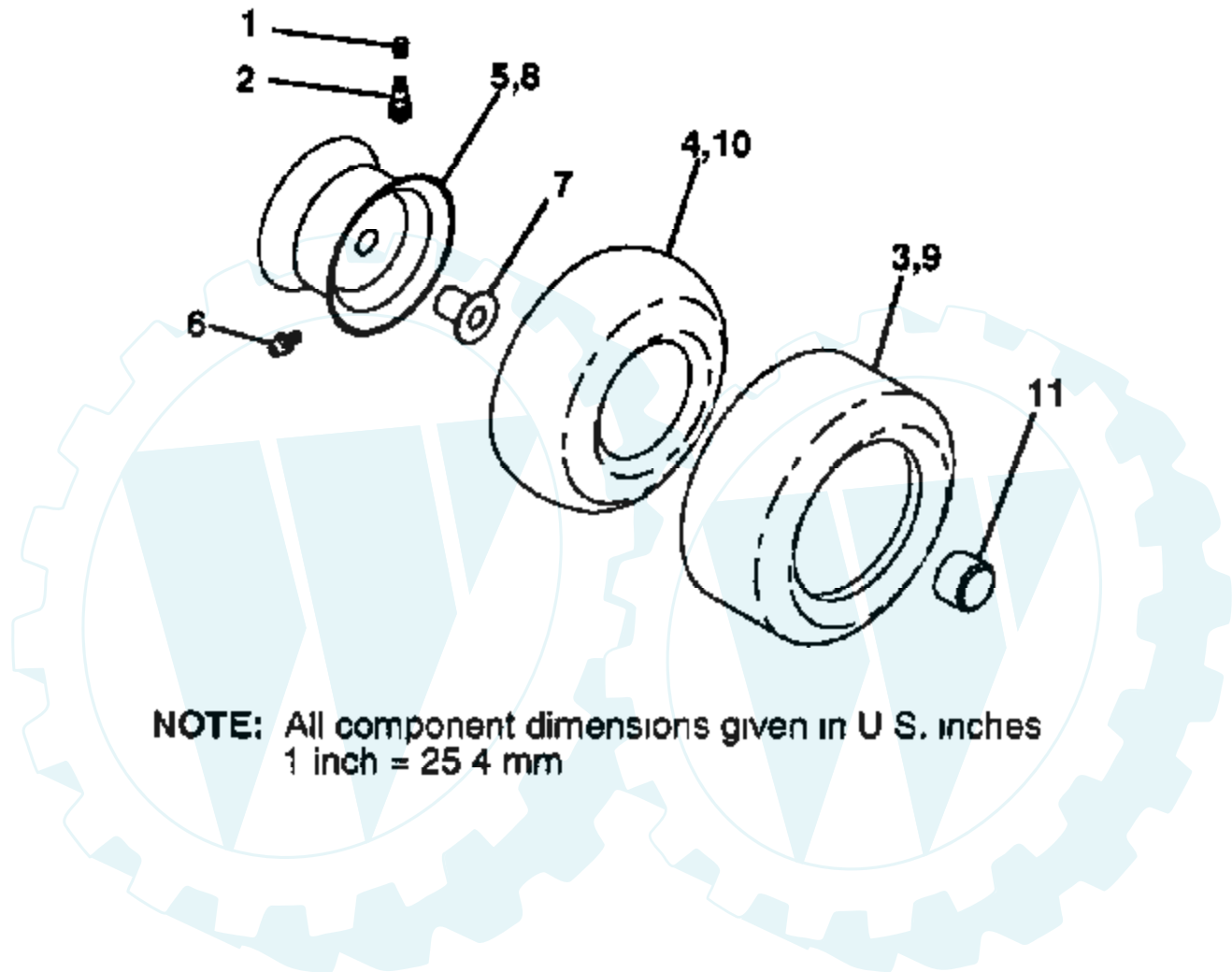
12.5 HP 42" TRACTOR - - MODEL NUMBER YC125H42A SUNSTRAND PUMP ASSEMBLY - MODEL NUMBER BDU-10S



Ref #	Part Number	Qty	Description
1	122756X		SHAFT.PU.2003022
2	122716X		RETAINIANG RING-(2003016)
3	122745X		BALL BEARING
4	122715X		SPACER
5	122700X		SEAL LIP
6	122699X		RING.RET.2003052
8	122767X		CRADLE BEARING (2003023)
11	122747X		BEARING
12	122717X		SEAL.9008000-0126
13	122748X		TRUNION ARM (2003005)
14	122749X		GUIDE.2000015.HYD
15	127146X		SUB= 121430X
17	122770X		SUB= 142936
18	122771X		PLUG PIPE
19	127147X		"KIT,CTR SECTION (2513007)"
20	122773X		NEEDLE BEARING
21	122722X		LIP SEAL-9008000-0127
22	122750X		SHAFT
25	127148X		"SWASHPLATE,VARIAB"
30	122723X		SEAL LIP
31	127149X		"KIT,BLOCK CYLINDE"
36	127151X		"PLUG,PLASTIC 9005200-8700"
37	122786X		PIN
38	122718X		GASKET.20030600
39	122731X		FILTER
40	122730X		WASHER (2000011)
41	122728X		SPRING
42	127152X		KIT.VALVE.2513014
46	122787X		PLUG
47	122752X		SCREW9007314-0808
50	122788X		WASHER
51	122789X		PIN
52	122754X		PLUG
55	127153X		"KIT,BYPASS VALVE"
58	122790X		PLUG
59	127154X		"KIT,OVERHEAD SEAL -2513013"

12.5 HP 42" TRACTOR - - MODEL NUMBER YC125H42A

WHEELS & TIRES



NOTE: All component dimensions given in U S. inches
1 inch = 25.4 mm

Ref #	Part Number	Qty	Description
1	59192		VALVE CAP
2	65139		VALVE STEM LT
3	106222X		SUB= 122073X
4	59904		TUBE.5.3/4.5/6
5	106732X361		SUB= 106732X417
6	278H		FITTING LT
7	9040H		"FLANGE, BEARING"
8	106108X361		SUB= 106108X417
9	124635X		SUB= 126957X
10	7152J		TUBE.18X9.5-8
11	104757X		HUB CAP

