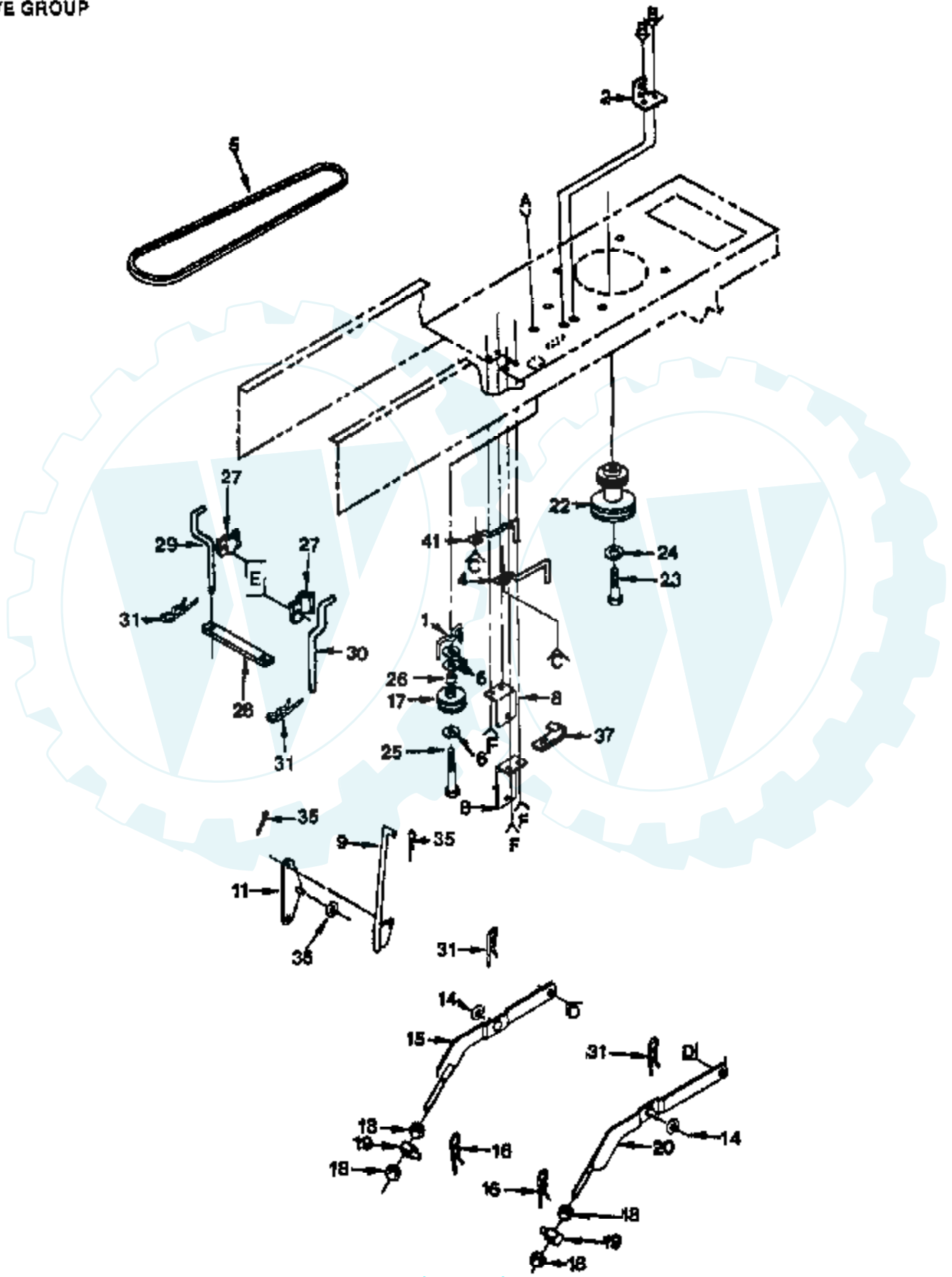
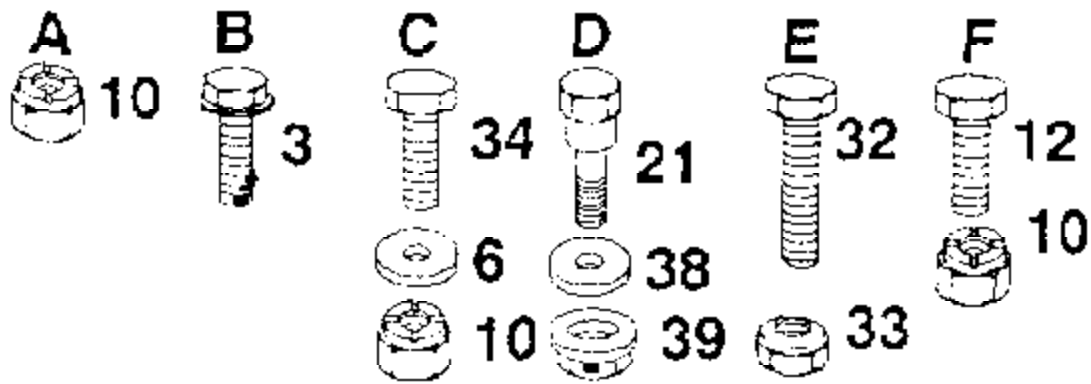


12.5 HP 38" LAWN TRACTOR - - MODEL NUMBER YC12538A

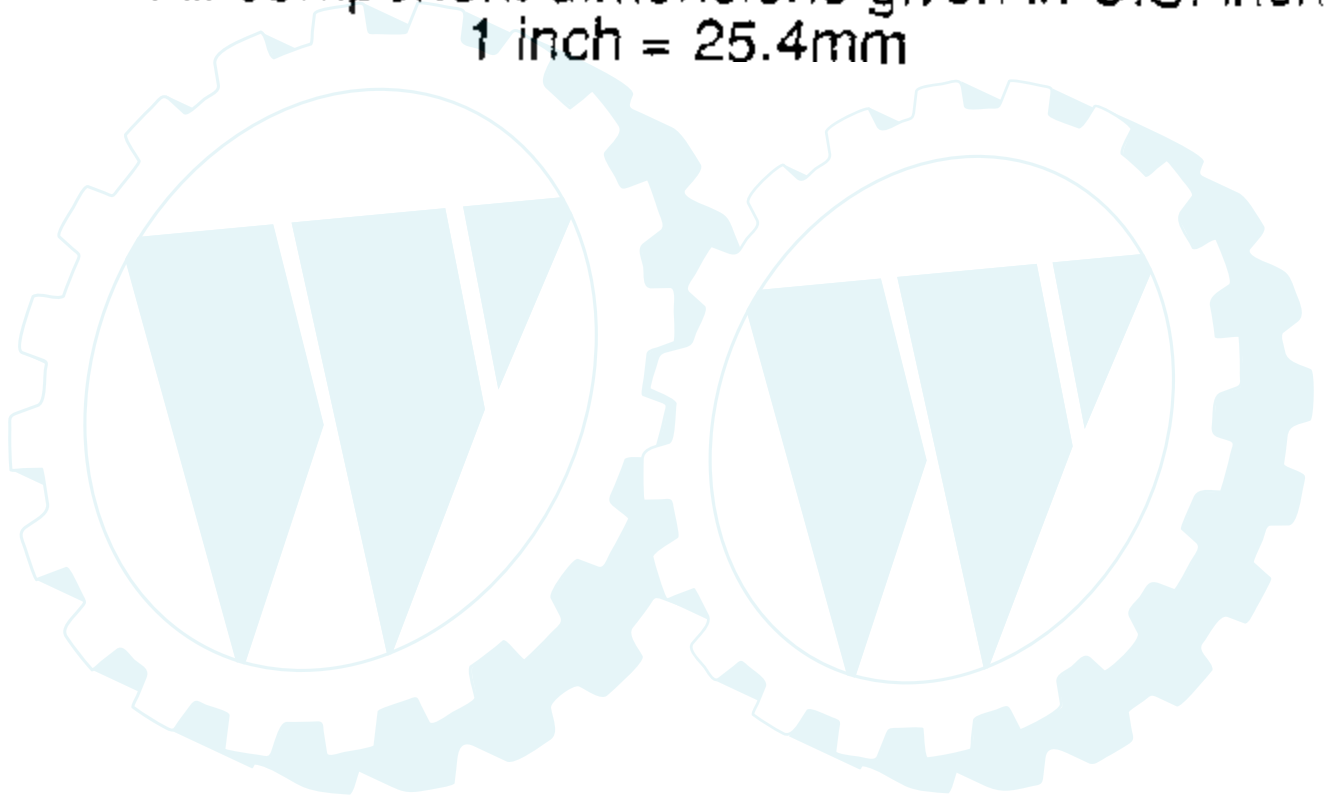
DRIVE GROUP



Ref #	Part Number	Qty	Description
1	109070X		BELT KEEPER LT
2	108236X		BRACKET LT
4	105730X		"KEEPER,BLT ENG LT"
5	125907X		BELT-V.90.0.GD.DR
6	19131312		WASHER
8	106444X		"BRKT,BELLCRAN T"
11	109728X		"T, BELLCRANK"
14	19171516		WASHER T
15	121599X		LH SUSP ARM ASM
16	9135R		SPRING H
17	123674X		PULLEY.IDLER.FLAT
18	73220800		NUT
19	106308X		SUB= 130171
20	121598X		RH SUSP ARM ASM
22	105731X		SUB= 137326
23	71130720		BOLT
24	10040700		LOCKWASHER
25	74760644		BOLT
26	4470J		SPACER T
27	106190X		CLAMP LT
28	123770X		STRAP LOCATOR
29	123662X		KEEPER BELT LH
30	123663X		KEEPER BELTRH
31	4921H		SPRING.RETAINER
35	76020412		COTTER PIN
36	19131410		WASHER
37	5320R		INSUL CLIP T
41	121218X		KEEPER BELT ENGLH

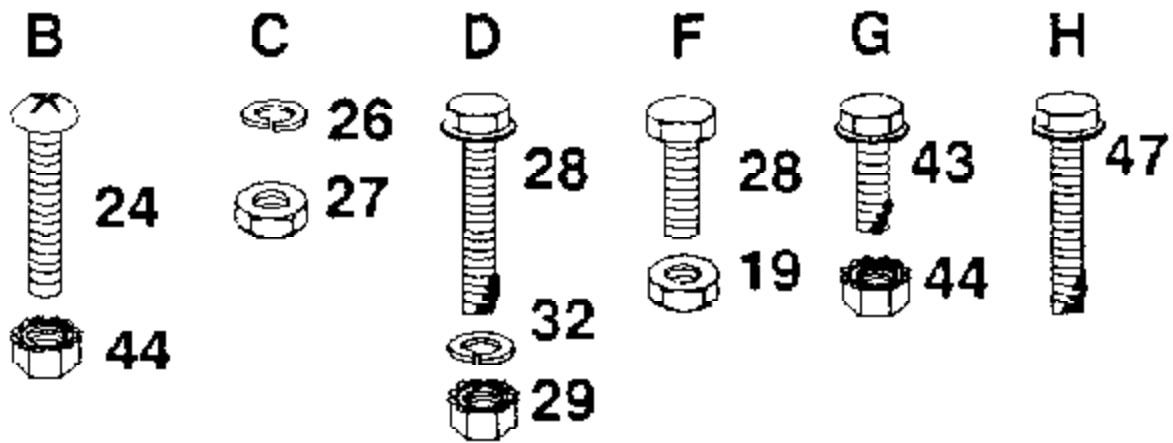


NOTE: All component dimensions given in U.S. inches.
1 inch = 25.4mm

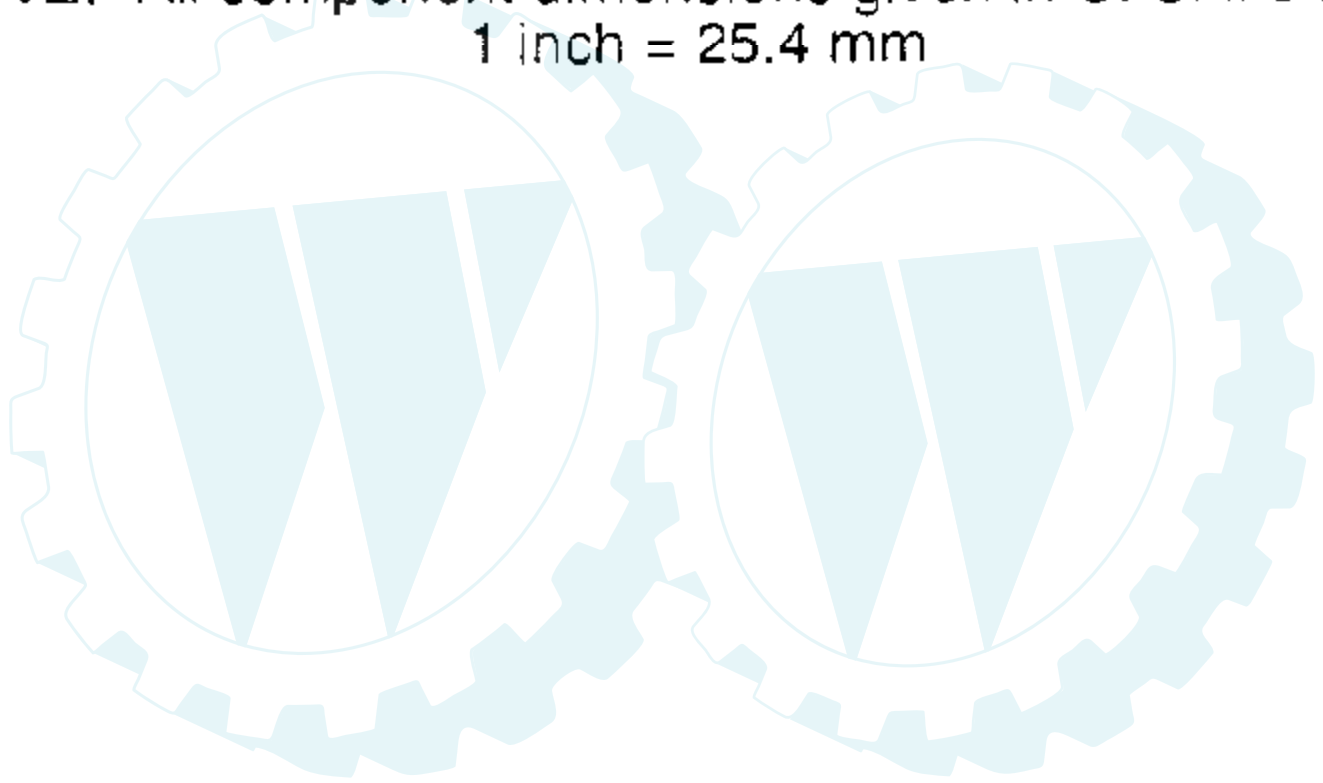


Ref #	Part Number	Qty	Description
3	17021008		SCREW
6	19131312		WASHER
10	73680600		SUB= 73690600
12	74760612		SUB= 74780612
21	105848X		"BOLT, SHOULDER LT"
32	74760512		BOLT
33	73680500		SUB= 73690500
34	74760616		BOLT
38	110739X		WASHER T
39	73980600		NUT SPECIAL T





NOTE: All component dimensions given in U. S. inches.
1 inch = 25.4 mm

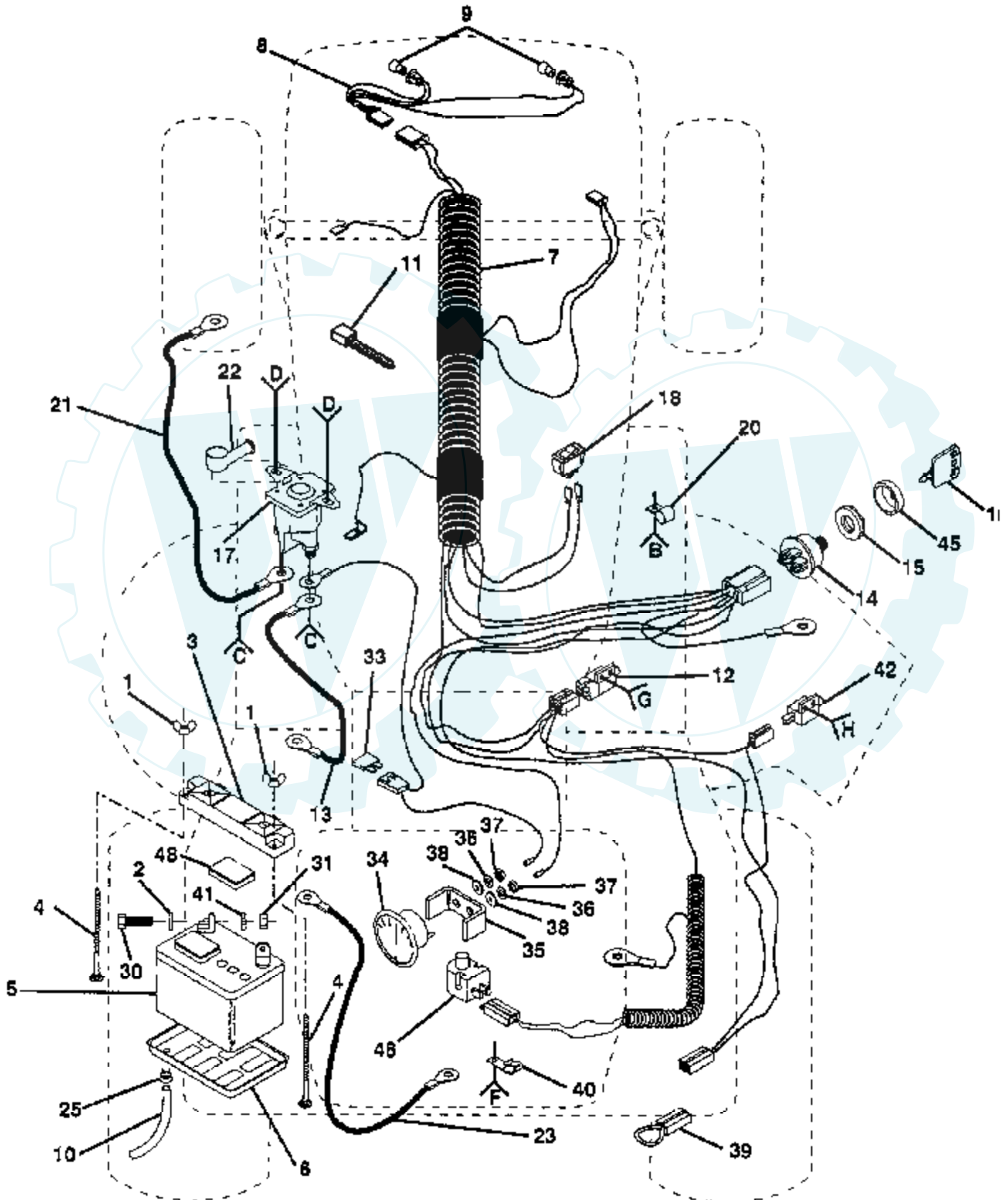


Ref #	Part Number	Qty	Description
19	73680400		SUB= 73690400
24	74641008		SUB= 71031008
26	10090400		SUB= 10040400
27	73350400		NUT
28	74780408		BOLT
29	73510400		NUT
32	11050400		LOCKWASHER
43	71031008		SCREW
44	73951000		"NUT,KEPS"
47	17021008		SCREW



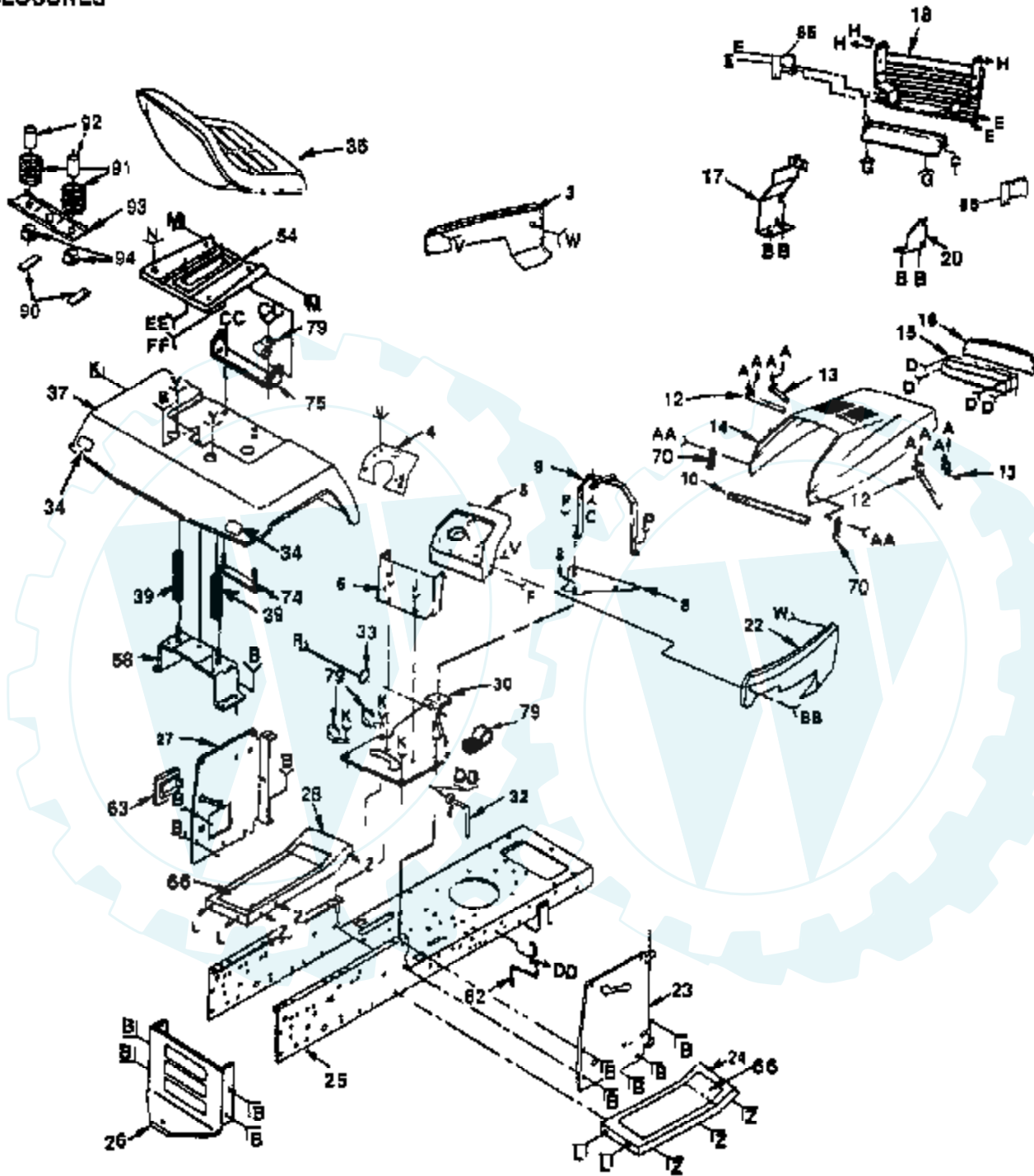
12.5 HP 38" LAWN TRACTOR - - MODEL NUMBER YC12538A

ELECTRICAL



Ref #	Part Number	Qty	Description
1	123198X		SUB= 146525
2	19091016		WASHER
3	102476X		SUB= 150109
4	72240460		BOLT
5	121265X		SUB= 123899X
6	7603J		"TRAY T, BATTERY"
7	125913X		IGNITION HARNESS
8	127441X		SUB= 136850
9	7662J		SUB= 4152J
10	7604J		SUB= 7697J
11	7192J		WIRE TIE
12	109553X		SWITCH INTERLOCKT
13	4206J		CABLE-BATTERY T
14	4406R		SUB= STD365402
15	109788X		SUB= 124211X
17	109081X		SUB= 146154
18	110712X		SWITCH LT
20	4171R		CLIP T
21	4799J		"CABLE T, BATTERY"
22	719J		SUB= 154336
23	4207J		CABLE T
25	109596X		HOSE CLAMP T
30	74760412		BOLT LT
31	73220400		SUB= 50675
33	108824X		FUSE HYT
34	9433R		AMMETER T
35	6009J		SUB= 532131708
36	10101000		SUB= 10071000
37	73911000		NUT
38	19070818		WASHER
39	102501X		SUB= 141940
40	235R		CLIPT
41	10040600		LOCKWASHER
42	104445X		SWITCH-INTER. GT
45	109787X		SUB= 147626
46	121305X		SWITCH SEAT
48	121264X		"CAP,BATTERY "
	101539X		SHEET INSTR LT
	101572X		SHEET-INSTRUCTION (FRENCH)
	121549X		DECAL
	127903		NLA
	129518		NLA
	MS-9250		OPERATING AND MAINTENANCE MANUAL

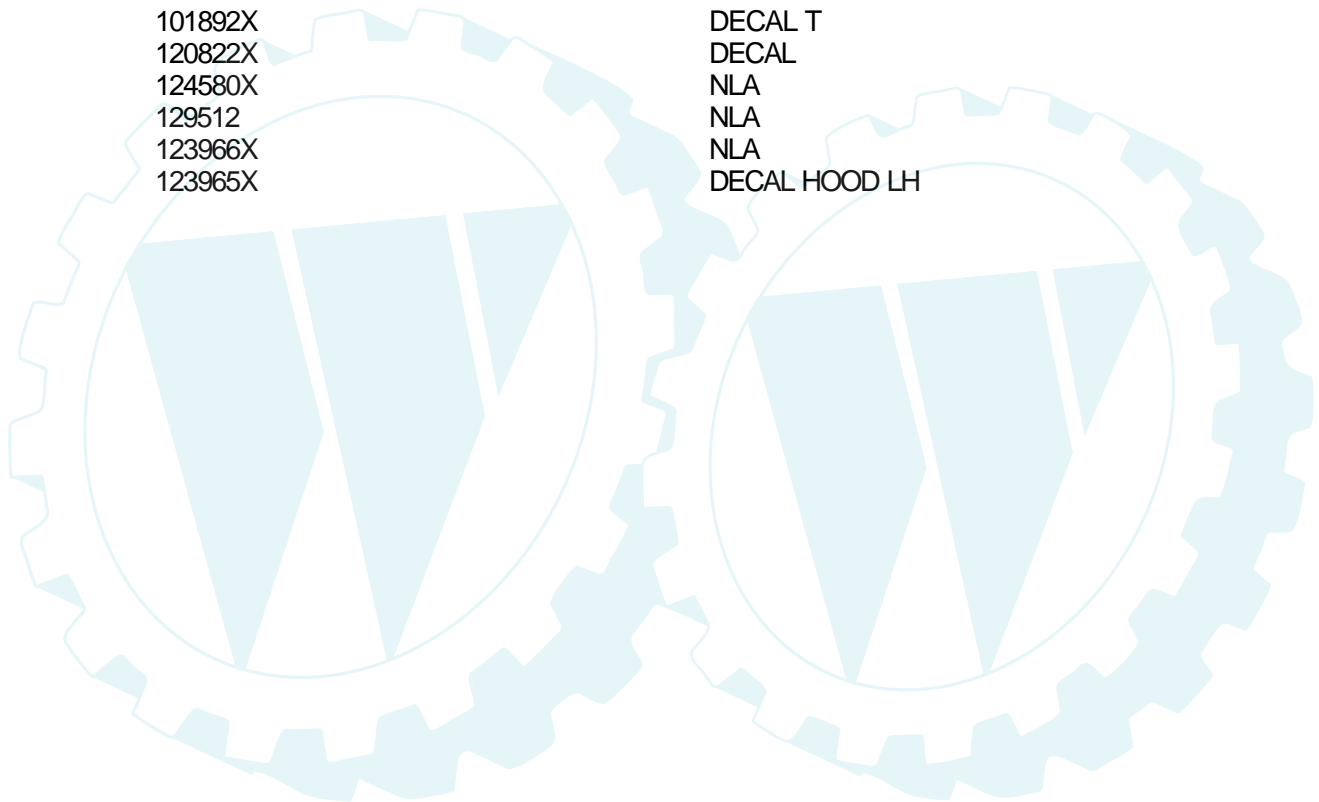
12.5 HP 38" LAWN TRACTOR - - MODEL NUMBER YC12538A ENCLOSURES

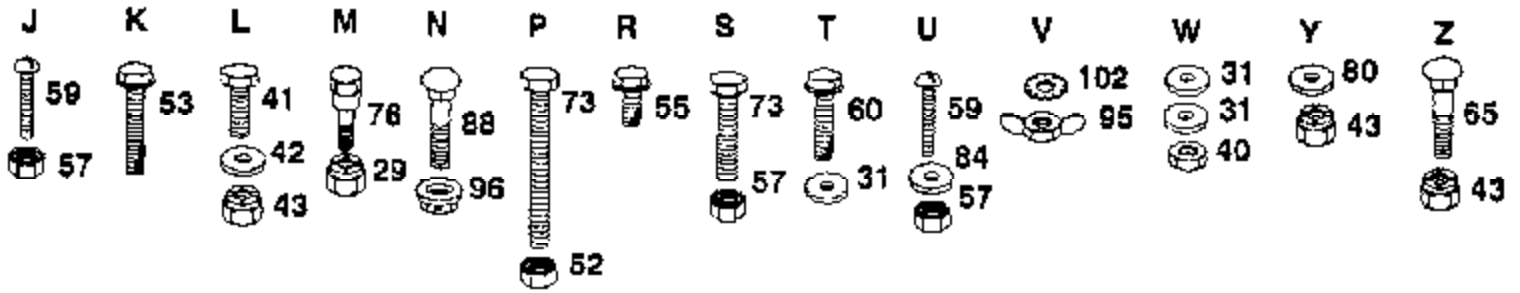


- | | | | | | | | | | | | | | |
|---------------|-----------------------------|----------------|-----------------------------------|---------------------------|-----------------|----------------------|-----------------------------|----------------------|-----------------|----------------------------|-----------------------|----------------------|----------------------|
| A
7 | AA
67
68
69 | B
47 | BB
71
72
77
73 | C
31
1
40 | CC
43 | D
45
46 | DD
44
64
43 | E
44
43 | EE
81 | F
51
42
43 | FF
82
87 | G
48
87 | H
49
50 |
|---------------|-----------------------------|----------------|-----------------------------------|---------------------------|-----------------|----------------------|-----------------------------|----------------------|-----------------|----------------------------|-----------------------|----------------------|----------------------|

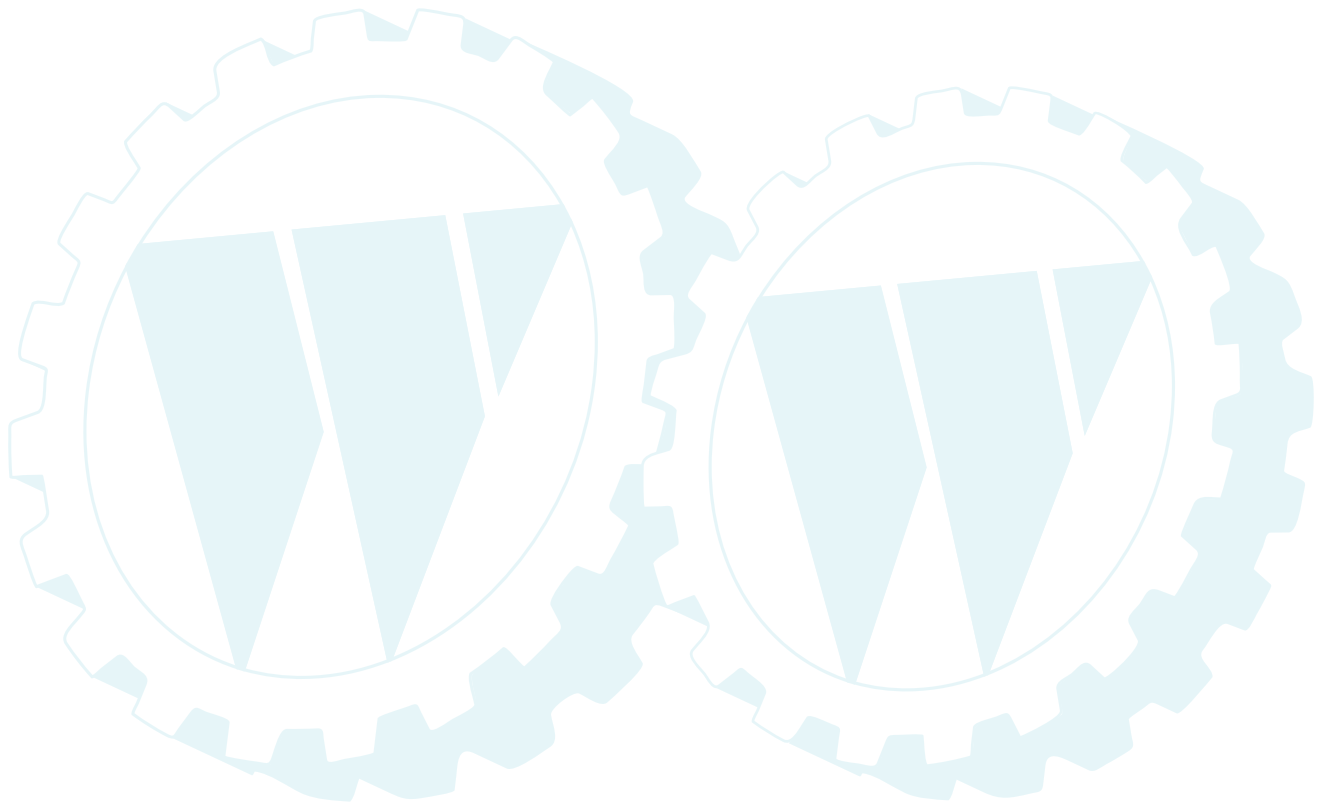
Ref #	Part Number	Qty	Description
1	10040400		LOCKWASHER
3	121890X394		SUB= 132637X505
4	121286X014		PLATE DASH
5	124252X		SUB= 140398
6	104783X		DASH ASSY LT
7	73510400		NUT
8	106965X		SUB= 140181
9	104786X		SUPPORT ASSY LT
10	105037X		FOAM-STRIP LT
12	106784X		SUB= 155013
13	104618X		SUB= 155013
14	121886X394		SUB= 150301X505
15	104613X		SUB= 147717
16	106395X		LENS LT
17	121610X		BRCK ASSY
18	104801X		NLA
20	110852X		SUPPORT LH YTH
22	121889X394		SUB= 132636X505
23	106976X		PANEL DASH RH YT
24	105464X423		FOOTREST
25	127213X		CHASSIS
26	121306X		SUB= 127866
27	109665X		SUB= 532132072
28	105465X423		FOOTREST
30	124587X014		SADDLE
31	19091216		WASHER PM
32	121440X		BELT GUIDE
33	1554J		SUB= 155108
34	106202X		REFLECTOR-TAIL YT
36	127423X		SUB= 140119
37	121663X423		SUB= 121663X505
39	124181X		SPRING COMPRESSIO
40	73220400		SUB= 50675
42	19131312		WASHER
43	73680600		SUB= 73690600
44	74760616		BOLT
45	17211010		SCREW LT
46	104755X		""""J"" FASTENER LT"
47	17490612		SCREW
48	17490512		SCREW
49	123481X		SUB= 7605J
50	73680400		SUB= 73690400
51	74760620		SUB= 74780620
54	124294X		SUB= 155925
58	105509X		SUB= 137113
62	121441X		BELT GUIDE
63	121794X		COVER ACCESS
64	19132012		WASHER
66	108256X		PAD FOOTREST T
67	74191008		SCREW
68	10071000		LOCKWASHER
69	2029J		WELDNUT
70	109808X		HOOD LATCH T
71	74981020		SCREW
72	7206J		SPACER LT
73	73731000		NUT
74	105511X		SUB= 140675
75	126656X		SUB= 140551

Ref #	Part Number	Qty	Description
77	19070818		WASHER
79	2751R		CLIP T
81	127018X		"BOLT, SHOULDER"
82	120068X		"KNOB 1/2" YT"
85	110855X		SUPPORT LH YTH
86	110854X		SUPPORT RH YTH
87	19131210		WASHER
90	121251X		STRIP FORM
91	121250X		SPRING
92	121249X		SPACER SPLIT
93	121246X		BRKT SWITCH
94	121248X		BUSHING
	109199X		SUB= 146046
	109821X		SUB= 138956
	101892X		DECAL T
	120822X		DECAL
	124580X		NLA
	129512		NLA
	123966X		NLA
	123965X		DECAL HOOD LH

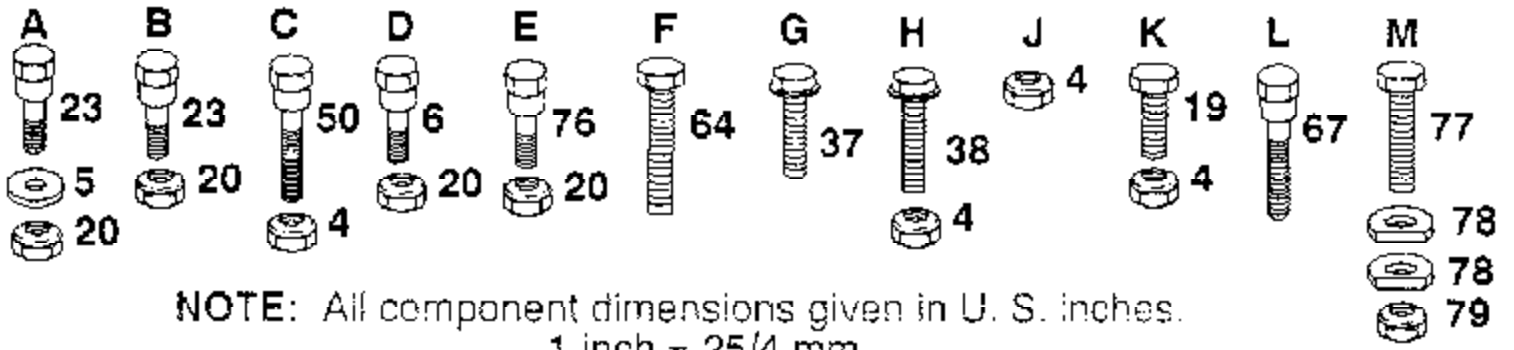




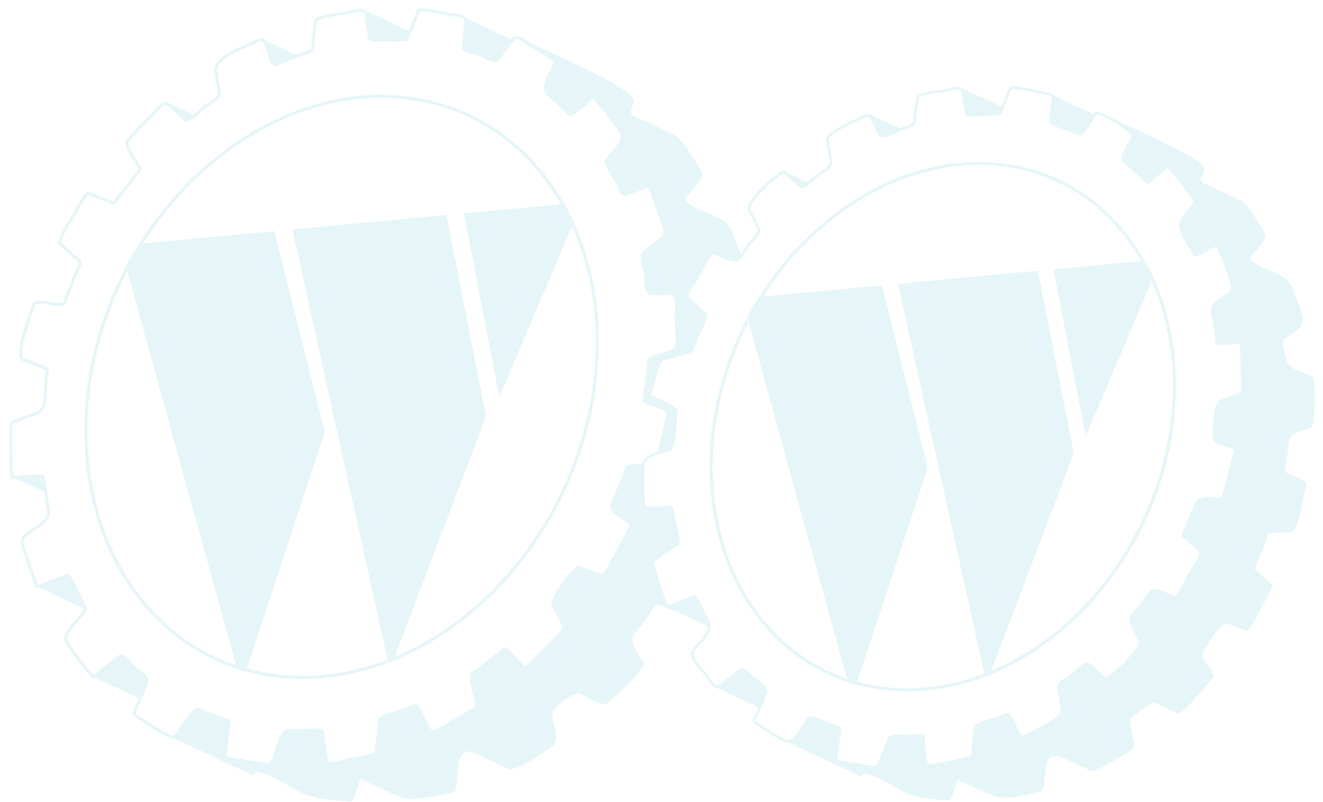
NOTE: All component dimensions given in U. S. inches.
1 inch = 25.4 mm



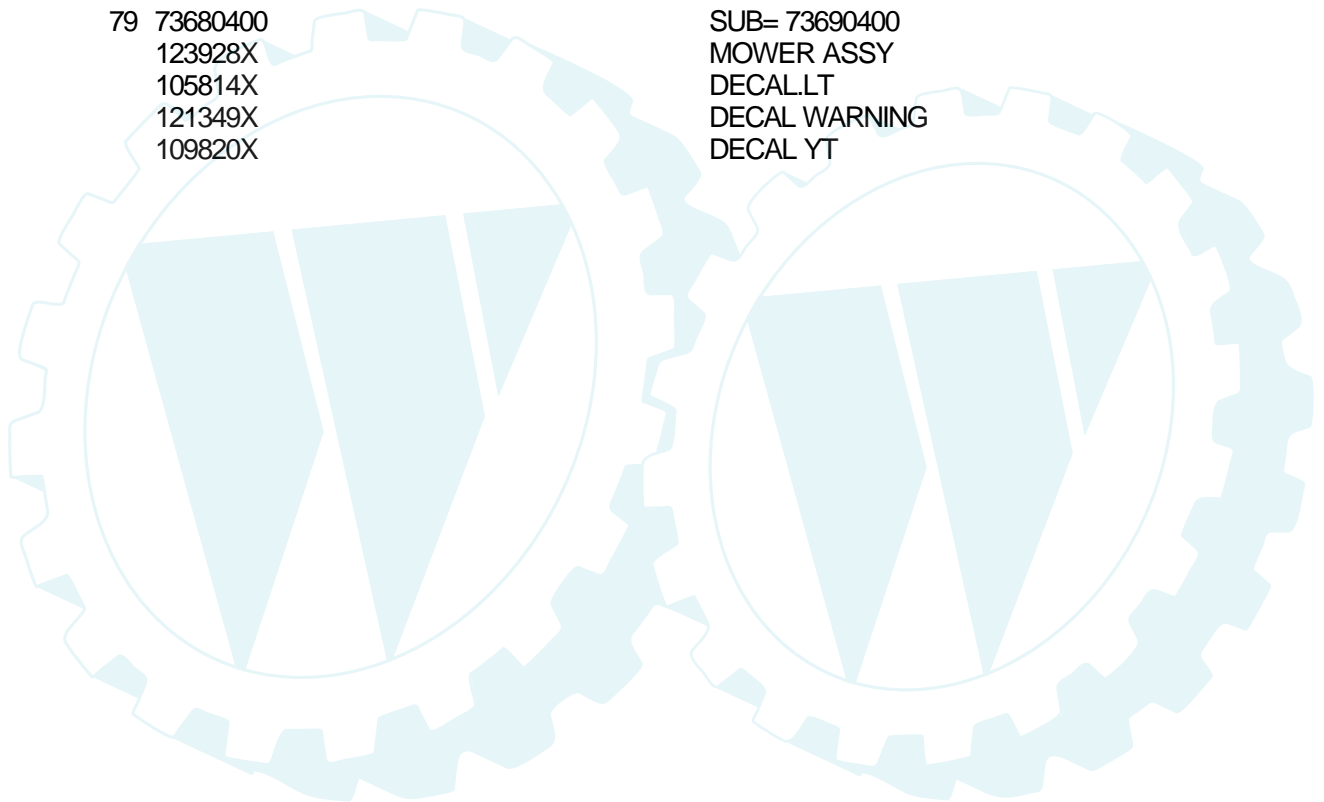
Ref #	Part Number	Qty	Description
29	73680500		SUB= 73690500
31	19091216		WASHER PM
40	73220400		SUB= 50675
41	74760612		SUB= 74780612
42	19131312		WASHER
43	73680600		SUB= 73690600
52	73510600		NUT
53	17490608		SCREW LT
55	17431008		SUB= 98000165
57	73510500		NUT
59	74180512		SCREW
60	17490412		SCREW HEX CRT
65	72110606		BOLT
73	73731000		NUT
76	105529X		SUB= 139888
80	19131614		WASHER
84	19111116		WASHER
88	72170410		BOLT
95	73490400		SUB= 146525
96	123976X		SUB= 73900400
102	11030400		LOCKWASHER GT
	109199X		SUB= 146046
	109821X		SUB= 138956
	101892X		DECAL T
	120822X		DECAL
	124580X		NLA
	129512		NLA
	123966X		NLA
	123965X		DECAL HOOD LH



NOTE: All component dimensions given in U. S. inches.
1 inch = 25/4 mm

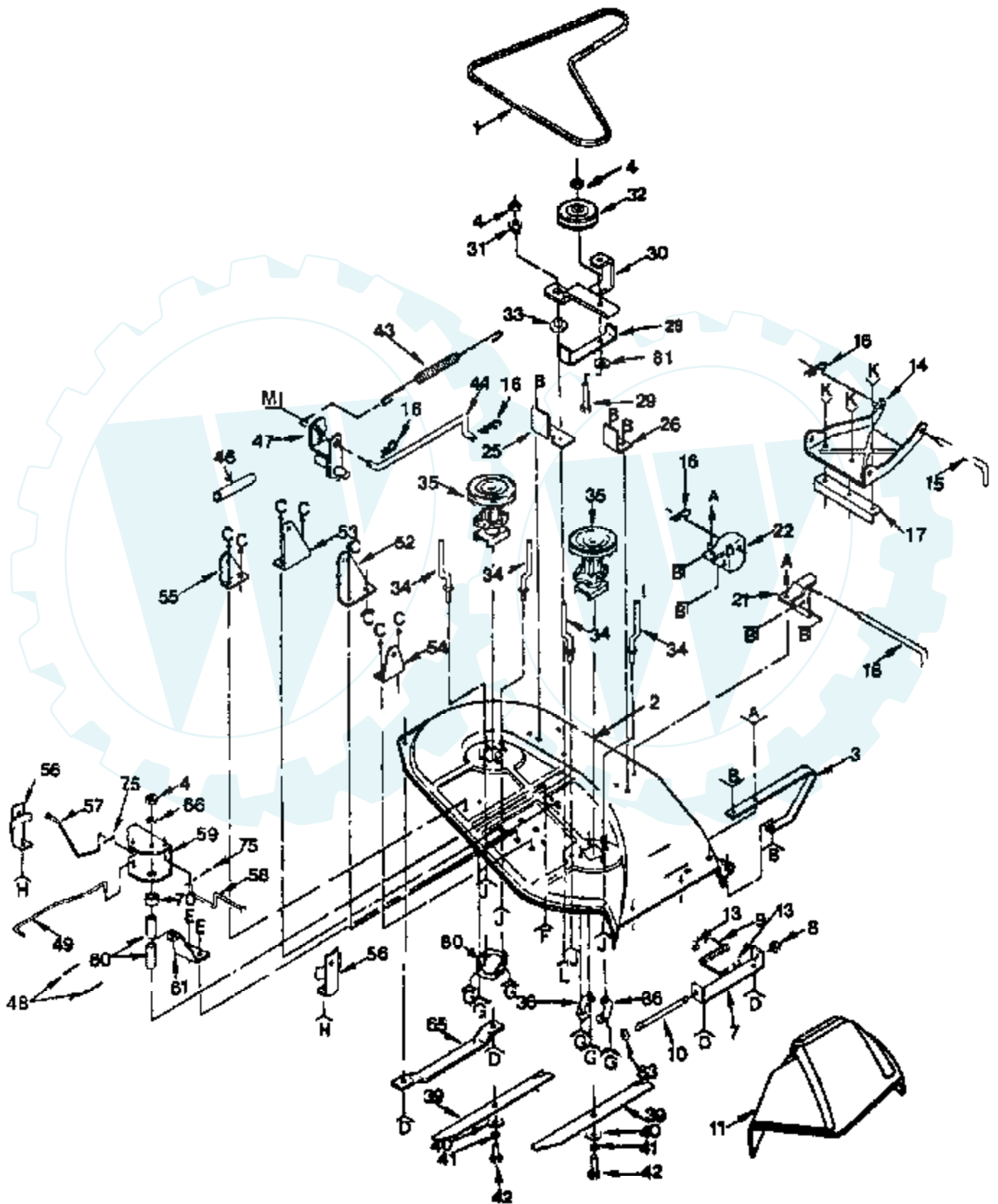


Ref #	Part Number	Qty	Description
4	73680600		SUB= 73690600
5	19111216		WASHER M
6	72140505		BOLT
19	74760612		SUB= 74780612
20	73680500		SUB= 73690500
23	72140506		BOLT
37	17490614		SCREW
38	17490620		SCREW
50	72140606		BOLT
64	74760688		BOLT
67	72140610		BOLT.3/8-14X1.25
76	72110506		SUB= 72270506
77	74760412		BOLT LT
78	109893X		WASHER T
79	73680400		SUB= 73690400
	123928X		MOWER ASSY
	105814X		DECAL.LT
	121349X		DECAL WARNING
	109820X		DECAL YT



12.5 HP 38" LAWN TRACTOR - - MODEL NUMBER YC12538A

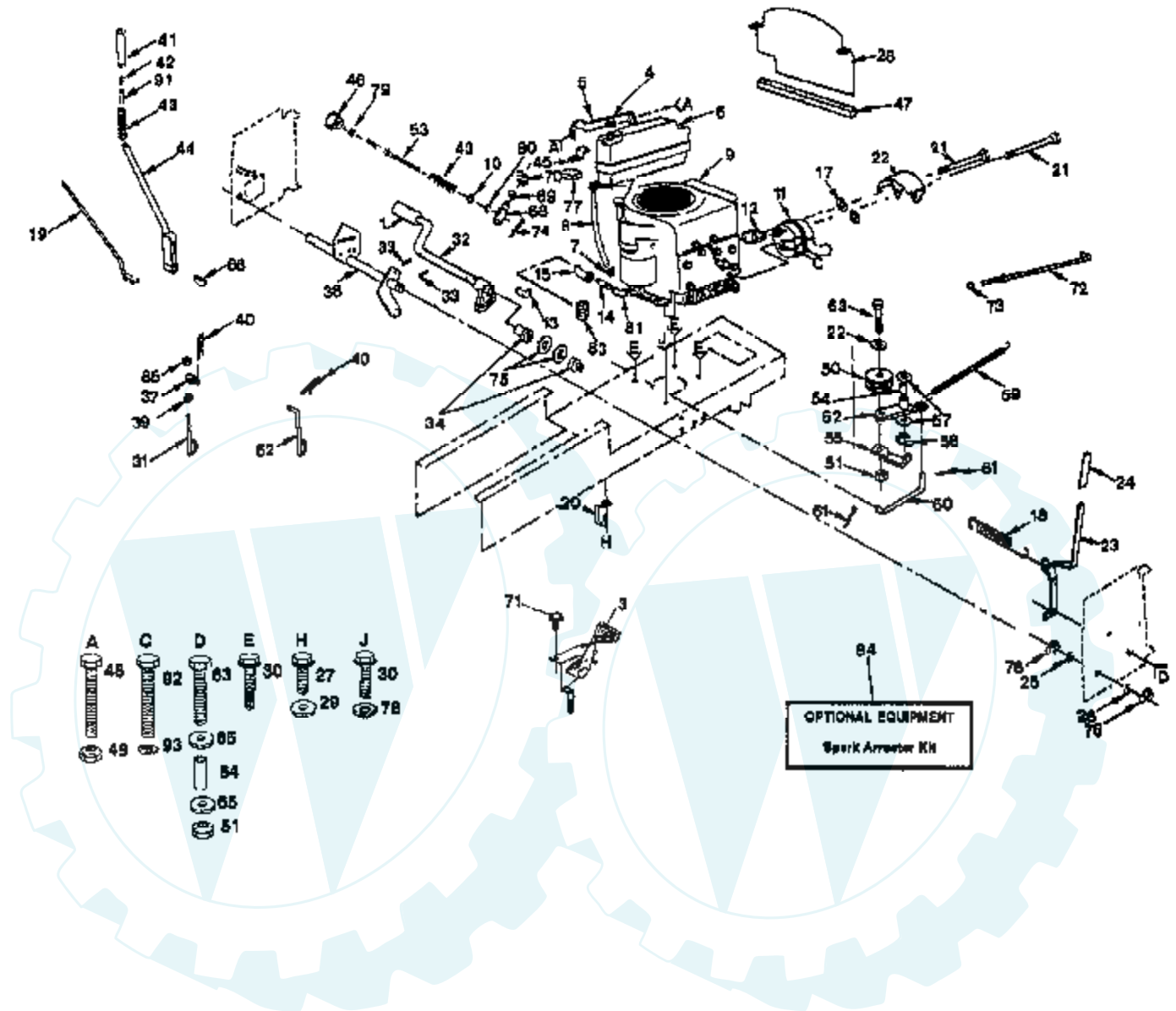
MOWER



Ref #	Part Number	Qty	Description
1	106085X		BELT-V.79.1.MWR
2	121259X		SUB= 144725
3	8417J		SUB= 128772
4	73680600		SUB= 73690600
7	105896X		SUB= 137607
8	110452X		NUT PUSH M
9	106734X		SUB= 123713X
10	106735X		ROD-HINGE T
11	106736X		DEFLECTOR-SHLD T
13	105304X		CAP-SLEEVE LT
14	105662X		LINK.PARALLEL
15	105744X		"ROD, FRT. PARAL T"
16	4921H		SPRING.RETAINER
17	105872X		LINK STOP
18	109835X		HINGE PIN T
21	109598X		BRACKET RH LT
22	109597X		BRACKET LH T
25	109503X		SUPPORT ARM T
26	109504X		STOP T
28	126756X		GUIDE.BELT
29	74760632		SUB= 74930632
30	108832X		SUB= 127163X
31	106902X		SPACER RETAINER
32	123688X		SUB= 121316X
33	106513X		"WASHER, WEAR LT"
34	102669X		BELT KEEPER LT
35	121676X		SUB= 121687X
36	100668L		SUPPORT PLATE LT
39	121263X		"BLADE.38"" HI-LI"
40	19132012		WASHER
41	10030600		SUB= 10040600
42	74610624		BOLT.3/8-24X1-1/2
43	108250X		SPRING LT
44	108235X		ROD LT
46	6404J		SPACER T
47	124066X		SUB= 109892X
48	76020616		SUB= 76020624
49	108247X		ROD BRAKE LT
52	108243X		BRACKET LT
53	108241X		BRACKET LT
54	105857X		"BRKT,SUSP RH T"
55	108673X		"BRKT,SUSP REAR LH"
56	106578X		BRAKE LT
57	106463X		"ROD, BRAKE LH LT"
58	108249X		ROD BRAKE LT
59	106456X		"BRK,BRAKE,PVT LT"
60	100672K		SPACER BRAKE LTV
63	19111016		WASHER
65	7631J		RUNNER-LH M
66	19131614		WASHER
70	122314X		SPACER
75	76020308		SUB= 3145
80	110445X		SUPPORT T
81	19131316		WASHER
	123928X		MOWER ASSY
	105814X		DECAL.LT
	121349X		DECAL WARNING
	109820X		DECAL YT

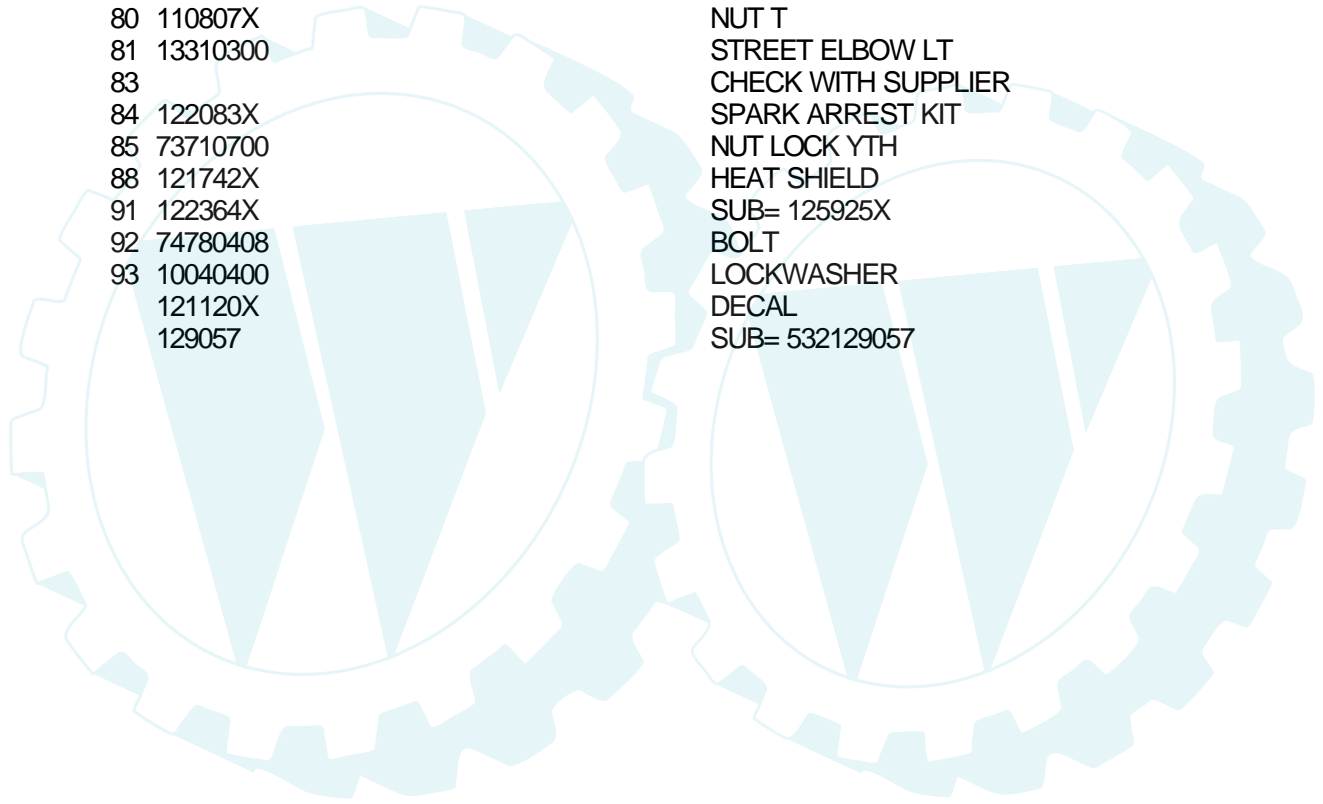
12.5 HP 38" LAWN TRACTOR - - MODEL NUMBER YC12538A

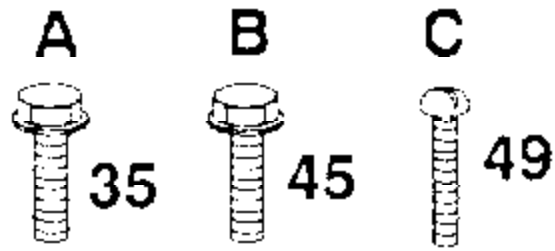
POWER & MECHANICAL CONTROLS GROUP



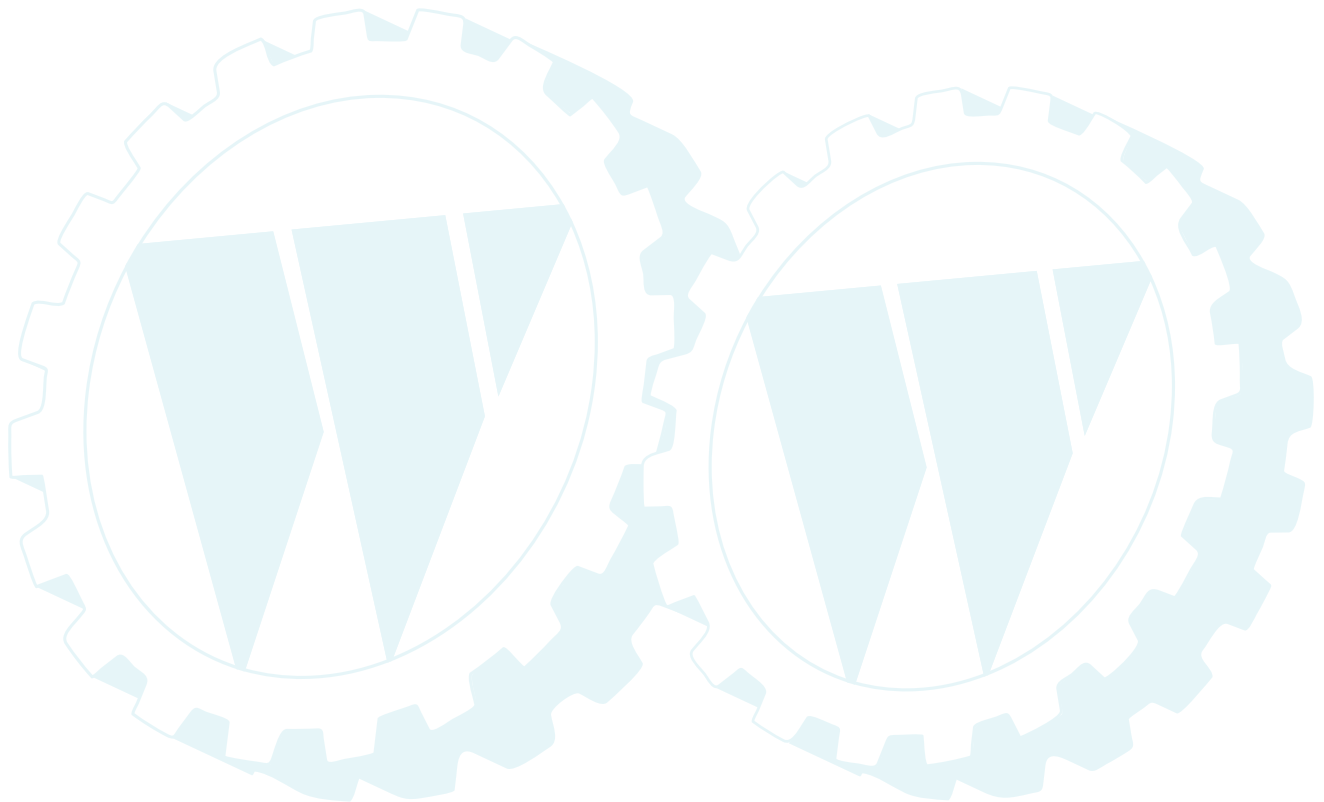
Ref #	Part Number	Qty	Description
1	8883R		PEDAL COVER T
3	127519X		SUB= 532132754
4	8504J		SUB= 9188504J
5	121281X		SUPT TANK FUEL
6	121280X		FUEL TANK
7	123487X		HOSE CLAMP
8	7833R		HOSE T
9	127690		ENGINE
10	19131016		WASHER
11	121304X		MUFFLER
12	125593X		SUB= 272293
13	13240300		STREET ELBOW LT
14	13280328		PIPE NIPPLE
15	13200300		ELBOW
17	19151616		SUB= 19171616
18	102727X		"SPRING.EXT.8.5""
19	121719X		ROD ASS'Y LEVER
20	104777X		SUB= 140312
21	121744X		BOLT
22	19131316		WASHER
23	106983X		HANDLE YT
24	4617J		SUB= 532131861
26	19292016		WASHER
27	17490612		SCREW
28	109623X		SUB= 133685
29	19131312		WASHER
30	17490620		SCREW
31	110448X		PIVOT PIN T
32	122424X		SUB= 149001
33	1572H		SUB= 2882J
34	120183X		NYLON BEARING
37	110447X		SUB= 132793
38	120174X		SHAFT T
39	73360700		NUT
40	4939M		SUB= 85902
41	109413X		GRIP
42	124526X		SUB= 125925X
43	2876H		SPRING T
44	121718X		LEVER LIFT
45	104799X		BRACE-TANK LT
46	121891X		HDLE ADJ LIFT
47	104915X		SUB= 105037X
48	74780512		BOLT
49	73680500		SUB= 73690500
50	123766X		SUB= 139245
51	73680600		SUB= 73690600
52	110029X		LIFT LINK LT
53	110729X		ROD LIFT LT
54	105706X		"LY, BEARING"
55	123205X		RETAIN BELT
57	110812X		WASHER LT
58	12000039		KLIP RING
59	105709X		"SPRING, RETURN LT"
60	105710X		"LINK, CLUTCH T"
61	76020412		COTTER PIN
62	123789X		ARM IDLER
63	74760624		SUB= 74930624
64	108056X		BUSHING YT

Ref #	Part Number	Qty	Description
65	19121612		WASHER LT
66	8330H		KEY STD
68	110810X		TRUNION LT
69	19151216		WASHER
70	12000037		KLIP RING
71	17720410		SCREW LT
72	125637X		ROD BRAKE PARK
73	71673		PLUNGER CAP T
74	76020308		SUB= 3145
75	19211616		WASHER LT
76	12000022		E-RING
77	6431J		PAD-SPACER T
78	11050600		LOCKWASHER
79	73350600		NUT
80	110807X		NUT T
81	13310300		STREET ELBOW LT
83			CHECK WITH SUPPLIER
84	122083X		SPARK ARREST KIT
85	73710700		NUT LOCK YTH
88	121742X		HEAT SHIELD
91	122364X		SUB= 125925X
92	74780408		BOLT
93	10040400		LOCKWASHER
	121120X		DECAL
	129057		SUB= 532129057





Note: All component dimensions given in U.S. inches.
1 inch = 25.4mm

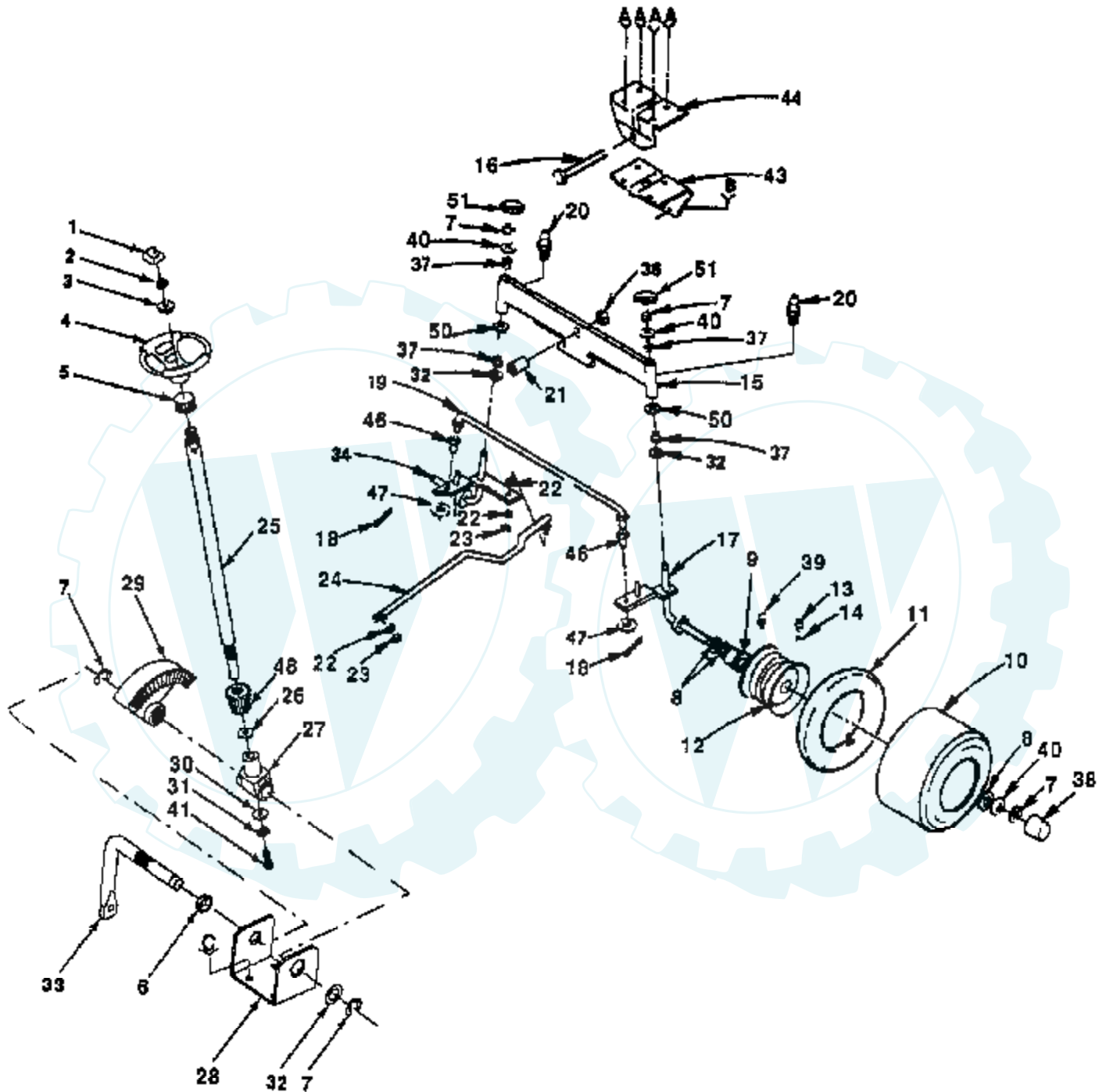


Ref #	Part Number	Qty	Description
35	122819X		SCREW SPECIAL
45	17490508		SCREW LT
49	17490612		SCREW



12.5 HP 38" LAWN TRACTOR - - MODEL NUMBER YC12538A

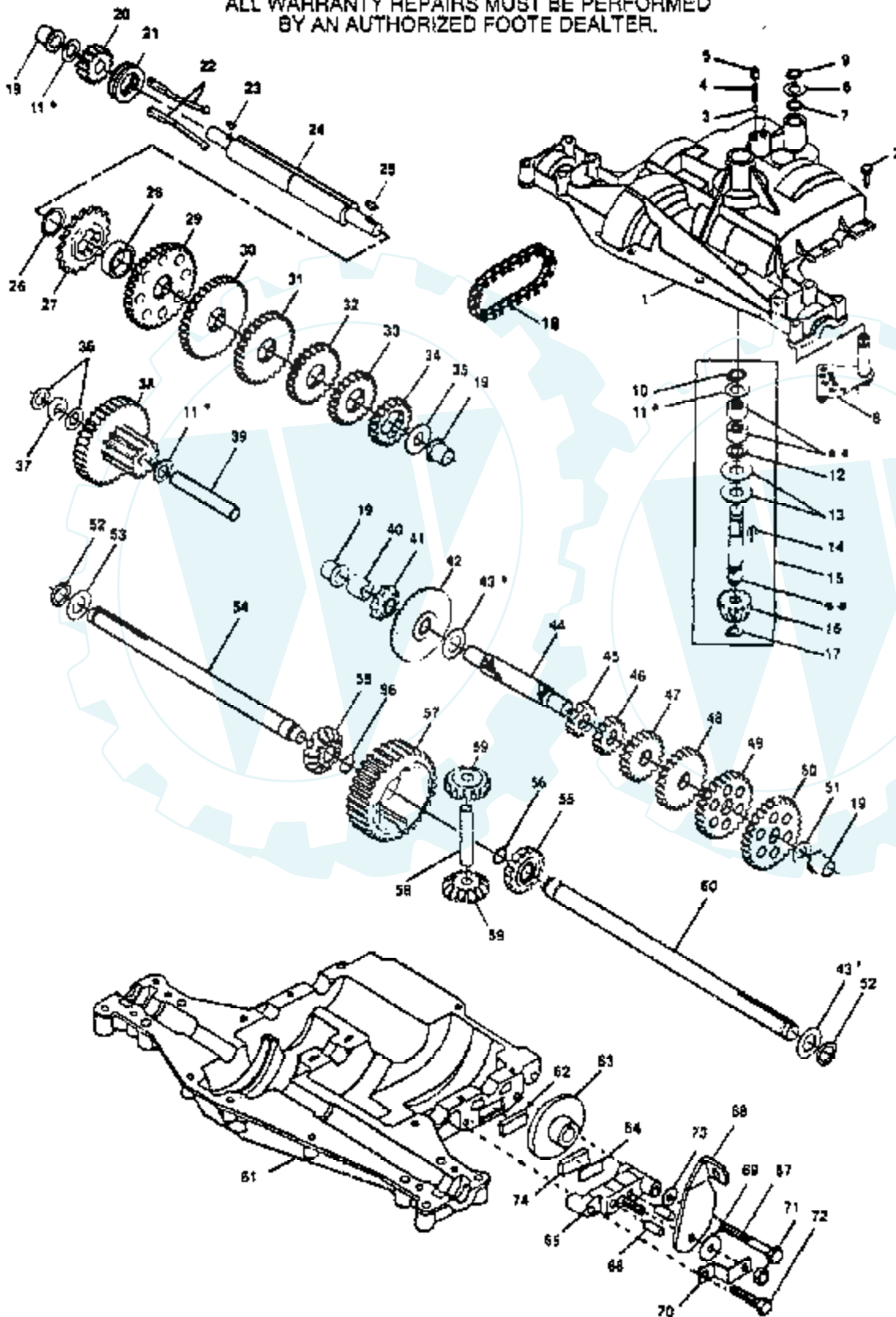
STEERING, FRONT AXLE AND WHEELS



Ref #	Part Number	Qty	Description
1	121584X		INSERT STEERING
2	73940800		SUB= 73360800
3	100712K		WASHER
4	121472X		SUB= 150546
5	100711L		ADAPTER LT
6	109816X		NYLINER T
7	12000029		RING
8	121749X		WASHER
9	9040H		"FLANGE, BEARING"
10	106222X		SUB= 122073X
11	59904		TUBE.5.3/4.5/6
12	106732X361		SUB= 106732X417
13	65139		VALVE STEM LT
14	59192		VALVE CAP
15	108075X		FRONT AXLE
16	74761060		BOLT LT
17	105654X		SUB= 130524
18	76020412		COTTER PIN
19	105715X		ROD-TIE LT
20	6855M		ZERK M
21	110438X		BEARING
22	10040600		LOCKWASHER
23	73610600		SUB= 7810H
24	124032X		SUB= 532130468
25	124042X		SUB= 128758
26	57079		THRUST WASHER
27	124035X		SUPPORT.SHAFT
28	124036X		"BRKT,STEERING"
29	124034X		SUB= 136874
30	126684X		SUB= 532126684
31	10040400		LOCKWASHER
32	6266H		WASHER .T
33	124033X		SUB= 156365
34	105656X		SPINDLE-LH LT
36	73901000		"NUT-LOC,FLANGE LT"
37	3366R		COL. SRTG. BEAR.
38	104757X		HUB CAP
39	278H		FITTING LT
40	121748X		WASHER
41	71070410		"SCREW,SPECIAL"
43	105664X		SUPPORT.SADDLE.FT
44	105663X		SUPPORT-SADDL T
46	120754X		SUB= 126847X
47	19131416		WASHER
48	124037X		"GEAR,PINION"
50	19272016		WASHER
51	121232X		CAP

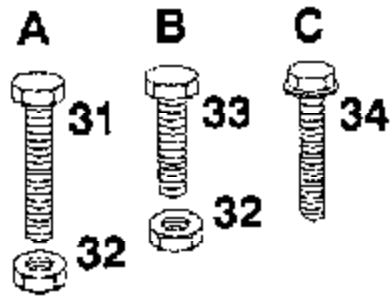
12.5 HP 38" LAWN TRACTOR - - MODEL NUMBER YC12538A TRANSAXLE FOOTE - MODEL NUMBER 4360-7

ALL WARRANTY REPAIRS MUST BE PERFORMED
BY AN AUTHORIZED FOOTE DEALER.

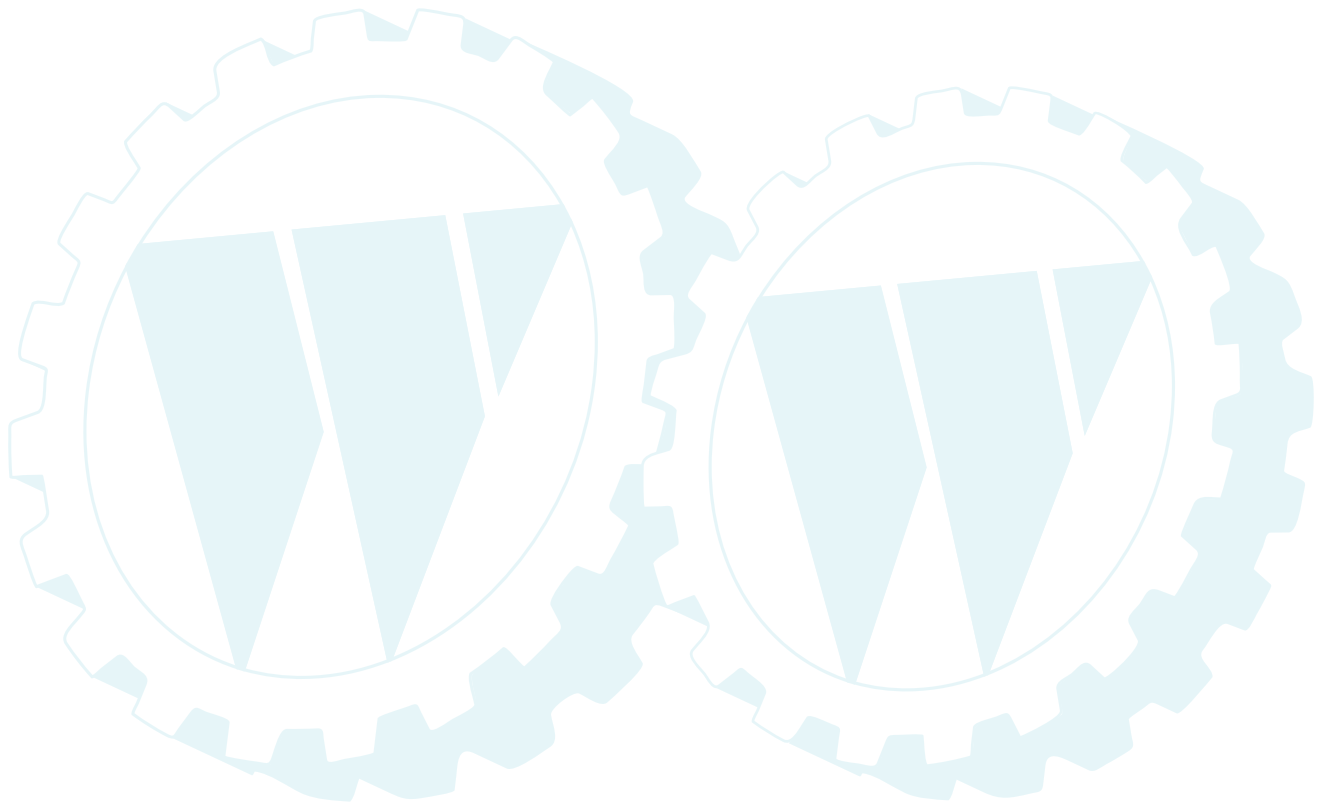


Ref #	Part Number	Qty	Description
1	3865		HOUSING UPPER
2	1919		SCREW
3	1151		BALL DETENT
4	3626		SPRING, DETENT
5	3623		SCREW, SET
6	4336		ASSY SHIFTER
7	3884		O-RING
8	3885		WASHER PLAIN
8A	3886		WASHER PLAIN
8B	3887		WASHER PLAIN
8C	3888		WASHER PLAIN
8D	3889		WASHER PLAIN
8E	3121		WASHER PLAIN
8F	3890		WASHER PLAIN
9	1100		RING RETAINING
10	1099		RING RETAINING
11	1959		WASHER PLAIN
11A	1441		WASHER PLAIN
11B	1423		WASHER, PLAIN .632 X 1.00 X .026
11C	1082		WASHER PLAIN
11D	1424		WASHER PLAIN
11E	1068		WASHER PLAIN
11F	1425		WASHER PLAIN
11G	1358		WASHER PLAIN
11H	1145		WASHER, PLAIN .632 X 1.00 X .060
11I	1319		WASHER PLAIN
12	3312		O-RING
13	3876		WASHER, PLAIN .632 X 1.38 X .046
14	1374		KEY WOODRUFF #9
15	4134		ASSY KIT INPUT SHAFT
16	3590		PINION, BEVEL, 14 TEETH
17	3624		RING, RETAINING
18	3625		CHAIN, 24 PITCHES
19	1542		BEARING, FLANGE
20	3773		GEAR SPUR, 14 TEETH
21	3631		COLLAR CLUTCH
22	3828		KEY CLUTCH
23	1369		KEY WOODRUFF #3
24	3883		SHAFT INTERMEDIATE
25	1375		KEY, WOODRUFF, #61
26	3627		RING, RETAINING
27	3830		SPROCKET, 18 TEETH
28	3841		SPACER
29	3786		GEAR, SPUR, 37 TEETH
30	3785		GEAR, SPUR, 35 TEETH
31	3867		GEAR, SPUR, 30 TEETH
32	3783		GEAR, SPUR, 25 TEETH
33	3869		GEAR, SPUR, 22 TEETH
34	3741		GEAR SPUR
35	3628		WASHER, PLAIN .640 X 1.37 X .061
36	1423		WASHER, PLAIN .632 X 1.00 X .026
37	3422		SPACER .630 X 1.00 X .169
38	4286		ASSY GEAR COMB 12&35 TEETH
39	3877		SHAFT IDLER
40	3901		SPACER .635 X .875 X .755
41	3645		SPROCKET, 9 TEETH
42	3853		GEAR BEVEL 42 TEETH
43	3749		WASHER PLAIN

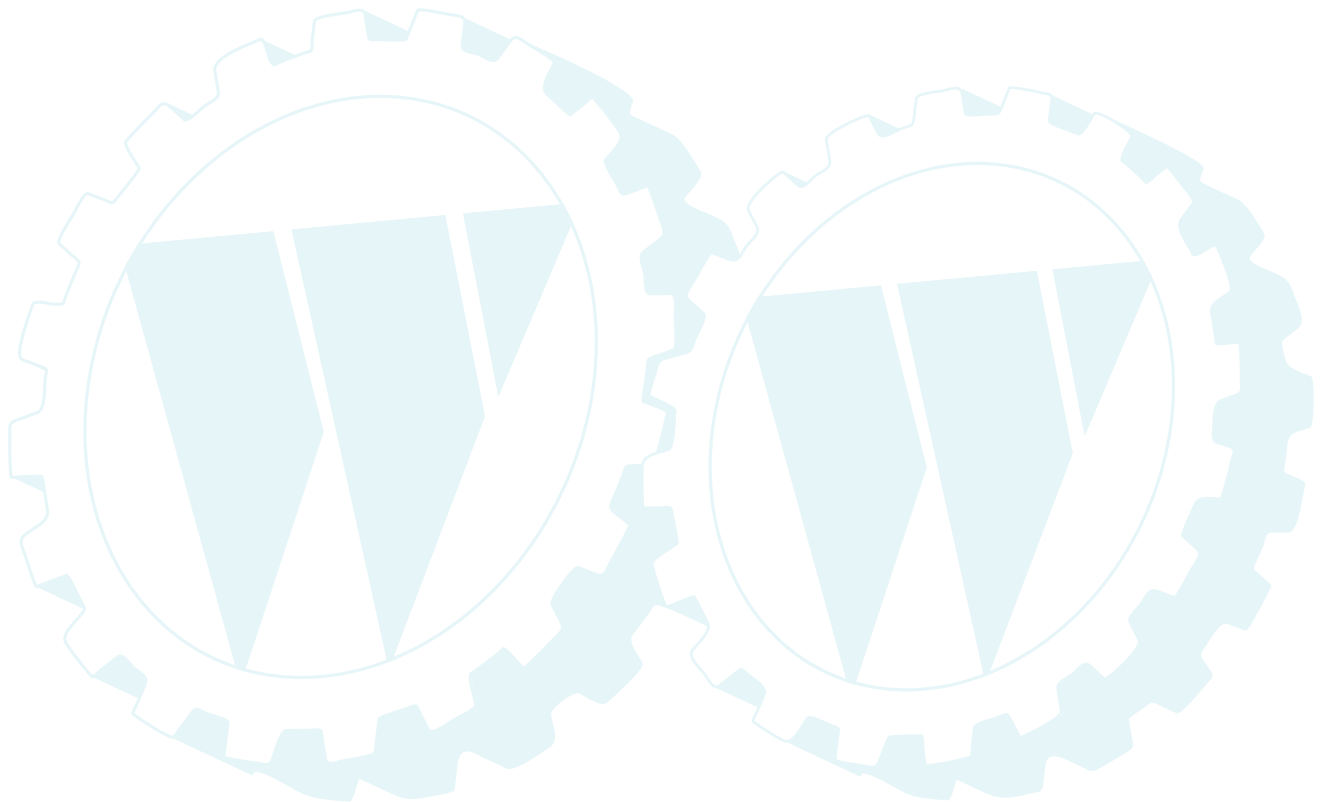
Ref #	Part Number	Qty	Description
43A	3652		WASHER PLAIN
43B	3693		WASHER PLAIN
43C	3653		WASHER PLAIN
43D	3408		WASHER PLAIN
43E	3732		WASHER PLAIN
43F	3184		WASHER, PLAIN .758 X 1.25 X .031
43G	3733		WASHER PLAIN
43H	3198		WASHER PLAIN
43I	3734		WASHER PLAIN
43J	3735		WASHER PLAIN
43K	3736		WASHER PLAIN
43L	3180		WASHER PLAIN
44	3882		SHAFT, DRIVE
45	3646		GEAR, SPUR, 12 TEETH
46	3707		GEAR SPUR, 15 TEETH
47	3866		GEAR, SPUR, 20 TEETH
48	3719		GEAR, SPUR, 25 TEETH
49	3868		GEAR, SPUR, 28 TEETH
50	3683		GEAR, SPUR, 31 TEETH
51	1145		WASHER, PLAIN .632 X 1.00 X .060
52	3191		SEAL FELT
53	3180		WASHER PLAIN
54	3880		AXLE LEFT HAND
55	3780		GEAR, MITER, 15 TEETH
56	3656		RING, RETAINING
57	3839		GEAR, SPUR, 32 TEETH
58	3919		SHAFT, CROSS
59	3781		GEAR, MITER, 15 TEETH
60	3881		AXLE, R.H.
61	3864		HOUSING LOWER
62	3920		PUCK, FRICTION
63	3276		DISC, BRAKE
64	3758		SPACER
65	3916		JAW, BRAKE
66	3843		PIN, DOWEL
67	3915		SCREW TAPPING
68	3768		LEVER, ACTUATING
69	3760		WASHER, PLAIN .321 X 1.00 X .055
70	3917		BRACKET, ANTI-ROTATION
71	3847		LOCKNUT 5/16-24
72	3724		SCREW TAPPING
73	3906		WASHER PLAIN
74	3907		PUCK, FRICTION
75	4300		GREASE



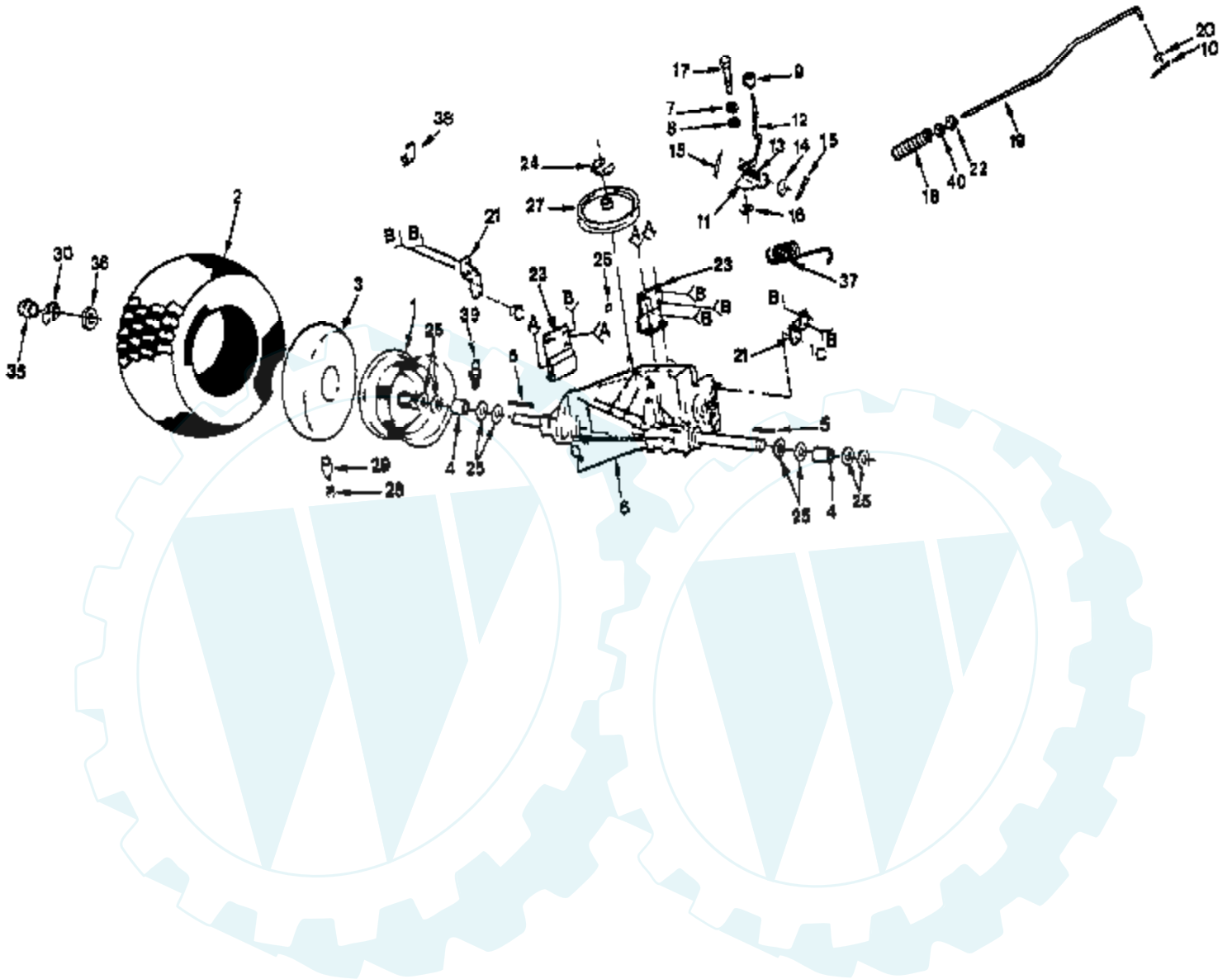
NOTE: All component dimensions given in U. S. inches. 1 inch = 25.4 mm



Ref #	Part Number	Qty	Description
31	74760644		BOLT
32	73680600		SUB= 73690600
33	74760612		SUB= 74780612
34	17490512		SCREW



12.5 HP 38" LAWN TRACTOR - - MODEL NUMBER YC12538A
TRANSAXLE AND REAR WHEEL



Ref #	Part Number	Qty	Description
1	106108X361		SUB= 106108X417
2	106268X		SUB= 122074X
3	7152J		TUBE.18X9.5-8
4	109502X		SPACER LT
5	123583X		SQUARE KEY
6	120898X		SUB= 137367
7	10040400		LOCKWASHER
8	19091210		WASHER LT
9	121274X		KNOB.DUCKHEAD.1/2
10	76020412		COTTER PIN
11	106919X		PLATE SHIFT LT
12	124461X		ROD SHIFTER
13	105700X		SPRING LT
14	19151216		WASHER
15	76020416		PIN COTTER 1/8
16	105701X		WASH-SHFT PLT LT
17	71040412		SUB= 74550412
18	106888X		SPRING ROD LT
19	110437X		BRAKE ROD LT
20	19131316		WASHER
21	121520X		STRAP TORQUE
22	73350600		NUT
23	109167X		BRACKET LT
24	12000028		SUB= 2267J
25	121749X		WASHER
26	2228M		SUB= 2228M1
27	123666X		PULLEY TRANS
28	59192		VALVE CAP
29	65139		VALVE STEM LT
30	12000001		E-RING LT
35	104757X		HUB CAP
36	121748X		WASHER
37	110422X		SUB= 146682
38	2751R		CLIP T
39	278H		FITTING LT
40	73800600		NUT