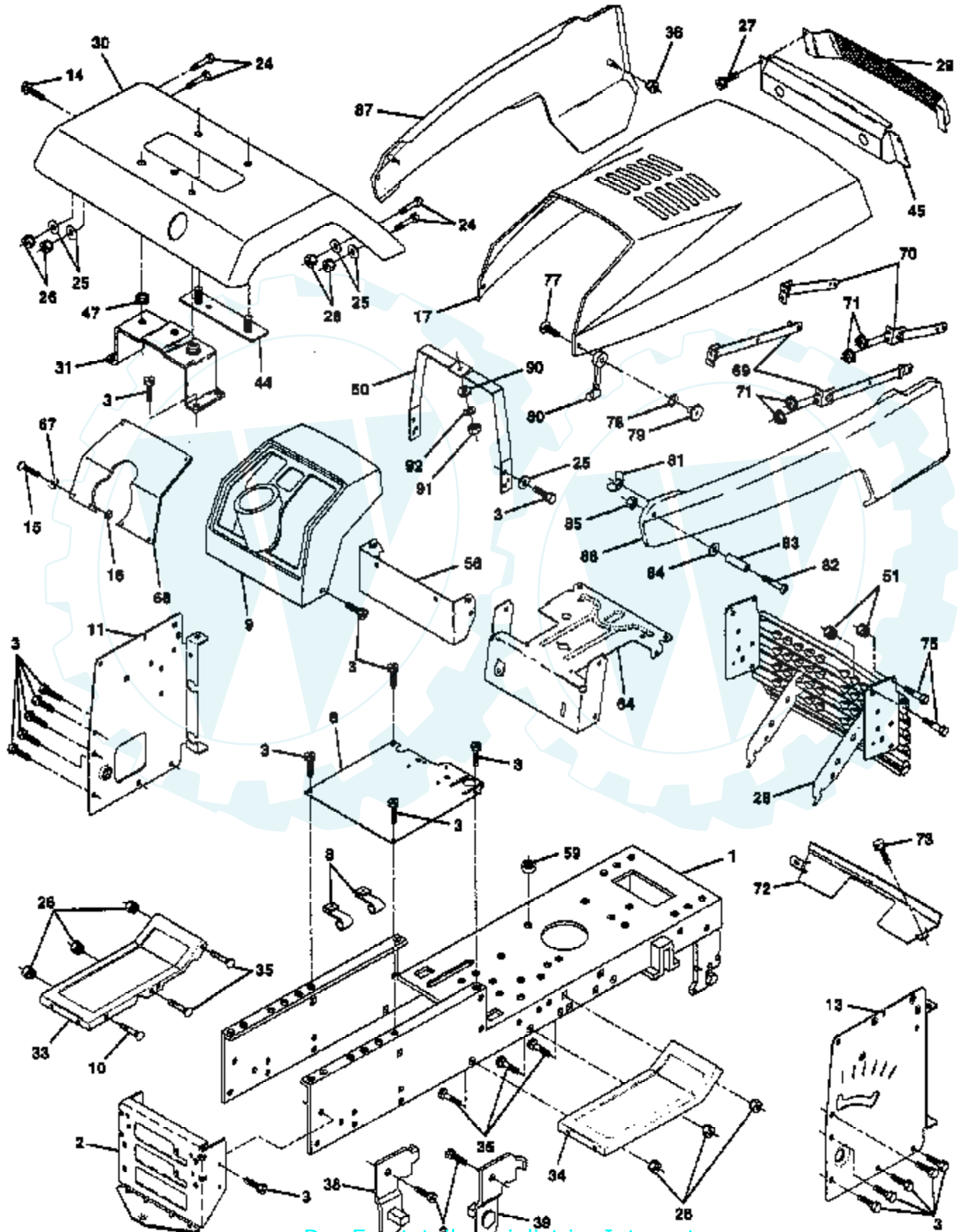


# TRACTOR - - MODEL NUMBER Y19H42A

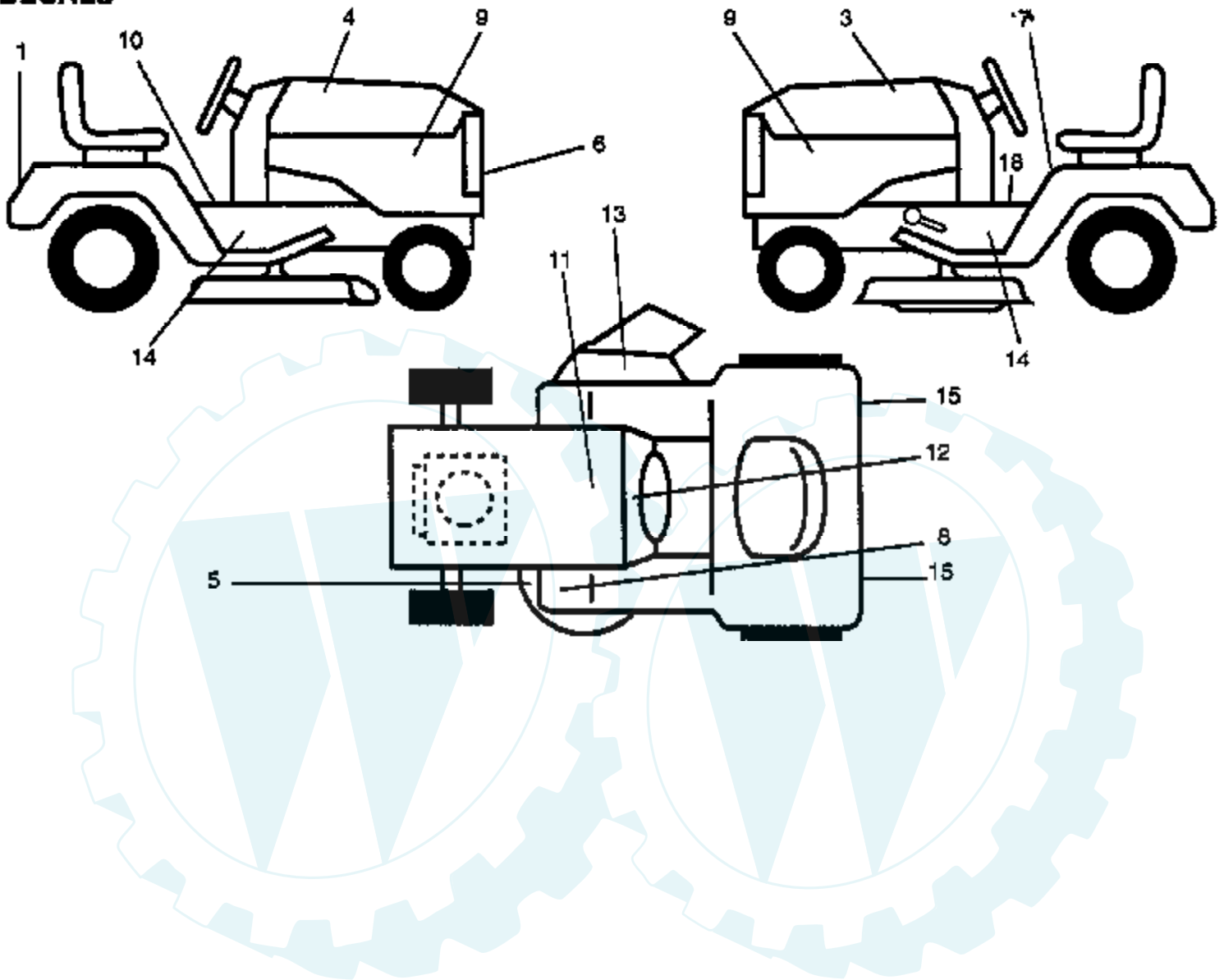
## CHASSIS AND ENCLOSURES



Ref #	Part Number	Qty	Description
1	142930		HOUSING.L.50074RM
2	142931		HOUSING.UP.70125
3	142932		SEAL.9008000-0128
4	142928		RING.RET.2003016.
5	142933		RING.RET.2003052.
6	142934		BEARING.(50552)42X68X16
7	142935		CRADLE- 2003023.
8	142936		BEARING.2003044.
9	142937		SWASHPLT.2003087.
13	142938		BLOCK.CLYN.70079.
14	142939		ARM.TRUN.2003005.
15	142940		SEAL.9008000-0126
17	142941		GUIDE.2000015.
18	142942		SHAFT.MOTOR.50115
19	142943		BEARING.THS.50019
23	142944		BLOCK.CYLIN.70082
24	142945		SEAL.LIP.45074
25	142946		ACTUATOR.2003555
26	142947		KIT.CENTER.70133
27	142948		SEAL.LIP.45075
28	142949		RING RETAIN 50007
29	142950		WASHER.44872
34	142951		ELEMENT.OIL.44964
35	142952		ARM.BYPASS.50270
36	142953		RING.RETAIN.44870
37	142954		ARM.ACTUAT.23710
38	142955		PIN.ACTUAT.44891
39	142956		SUB= 149705
40	142957		NUT.LOCK.HX.50108
41	142958		KIT.BRAKE.70135
43	142884		WASHER HYD 44130
44	142959		DIFFERENTIA.70130
52	142960		WASHER.HYD.50152
53	142961		SEAL.HYDRO.45076
54	142962		O RING.HYD.45077
56	142963		SHAFT.INPUT.50005
58	142964		BOLT.1/4-20.44876
59	142965		PIN.HYDRO.50002
62	142966		ARM.CONTROL.50254
63	142967		PUCK.DAMPER.50281
64	142920		SCREW.SET.50018.
68	142969		SPRING.HYD.50277
69	144610		STUD.5/16-24.DANA
83	142971		JACKSHAFT/PINION GEAR.70132
85	142972		JACKSHAFT.50086
88	142973		SCREW.CAP.50154.
89	142974		WASHER.HYD.50132
90	142975		BEARING.SLV.50118
91	142976		SEAL.WIPER.50941
92	142977		SPRING.2003014.
93	142978		WASHER.2003017
113	142917		CAP.VENT.70109
114	142918		O-RING.ASM.70110
119	142980		SPACER.HYD.50278
134	144607		NUT.CAS.HYD.44142
135	144608		PIN.COT.HYD.44101

### TRACTOR -- MODEL NUMBER Y19H42A

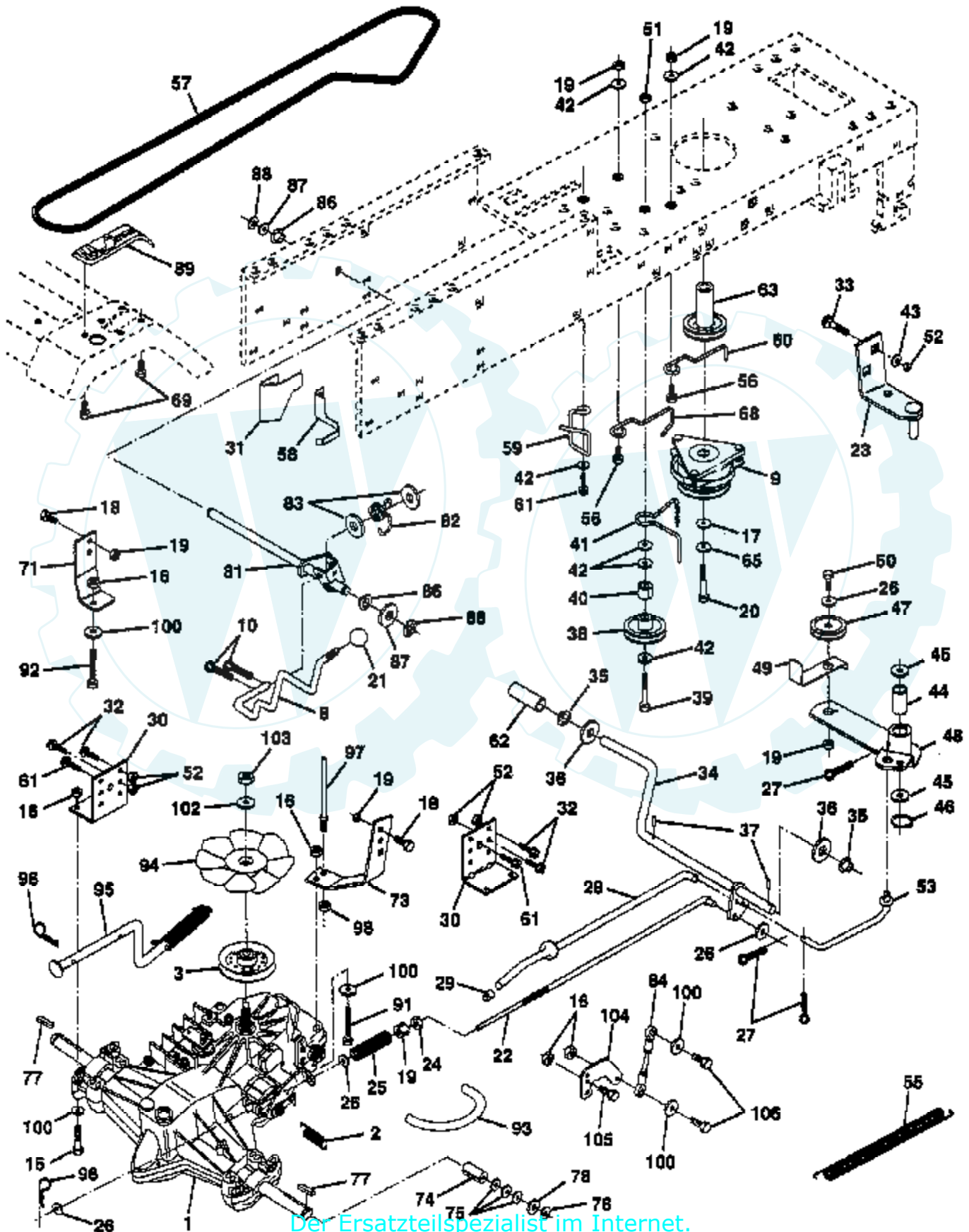
#### DECALS



Ref #	Part Number	Qty	Description
1	123964x		DECAL NLA
3	123965x		DECAL HOOD LH
4	123966x		DECAL HOOD RHNLA
5	136832		DECAL
6	139141		DECAL.GRILL.YARDP
7	133795		DECAL CAUTION
8	101892x		DECAL T
9	149221		DECAL.PNL.SD.YP.
10	140837		DECAL BRAK PARK
11	121549x		DECAL *NLA*
12	138956		DECAL.DASH.INSTR.
13	137259		"DECAL, WARNING"
14	141801		DECAL CHAS 42 HYD
15	106202x		REFLECTOR-TAIL YT
18	142337		DECAL SADL HYDRO
	133671		FOOTREST PAD
	138311		DECAL HANDLE LIFT
	142341		DECAL DRAWBAR LH
	145278		MANUAL.OP.GENERIC
	149249		MANUAL.Y19H42A
	lsb42		
	lbd48		48" SNOW BLA
	lc05		WHEEL WEIGHT
	lc06		
	c42		
	mk42		No Desc

# TRACTOR - - MODEL NUMBER Y19H42A

## DRIVE

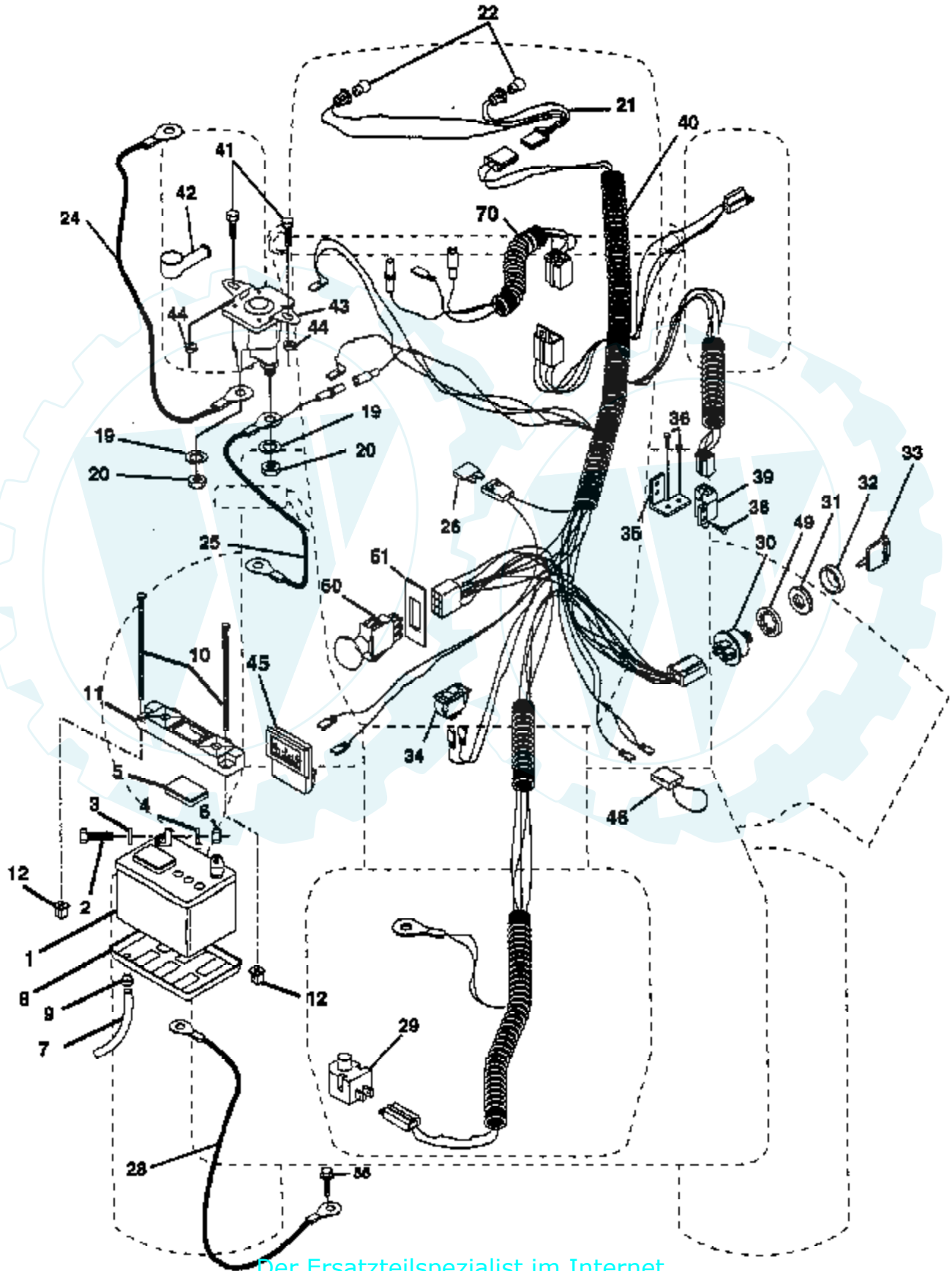


Ref #	Part Number	Qty	Description
1	144436		SUB= 150071
2	142431		SPRING RET BRAKE
3	143995		PULLEY.TRANSAXLE
8	141002		ROD SHIFT FEND YT
9	137140		SUB= 142600
10	76020416		PIN COTTER 1/8
15	74780544		BOLT HEX
16	73800500		NUT
17	126197x		WASHER
18	74780616		BOLT
19	73800600		NUT
20	71170768		SUB= 150280
21	121274x		KNOB.DUCKHEAD.1/2
22	145240		ROD.BRAKE.HYDRO.
23	137141		BRACKET.ASM.MTG
25	106888x		SPRING ROD LT
26	19131316		WASHER
27	76020412		COTTER PIN
28	145204		ROD.BRAKE.PARK.LT
29	71673		PLUNGER CAP T
30	130807		TRANSAXLE MTG BKT
31	127275x		KEEPER,BELT LH T
32	74760512		BOLT
33	72140506		BOLT
34	149001		SHAFT.PEDAL.FOOT
35	120183x		NYLON BEARING
36	19211616		WASHER LT
37	1572h		No Desc
38	123674x		PULLEY.IDLER.FLAT
39	74760644		BOLT
40	4470j		SPACER T
41	109070x		BELT KEEPER LT
42	19131312		WASHER
43	19111012		WASHER T
44	105706x		LY, BEARING
45	110812x		WASHER LT
46	12000039		KLIP RING
47	127783		SUB= 139245
48	123789x		BELLCRANK.ASM.CLUTCH
49	123205x		RETAIN BELT
50	74760624		SUB= 74930624
51	73680600		SUB= 73690600
52	73680500		SUB= 73690500
53	105710x		LINK, CLUTCH T
55	105709x		SPRING, RETURN LT
56	74760620		SUB= 74780620
57	140294		"BELT.GD DRV 82""
58	140470		KEEPER BELT LH
59	140312		KEEPER BELT CNTSP
60	121218x		KEEPER BELT ENGLH
61	17490612		SCREW
62	8883r		PEDAL COVER T
63	140189		PULLEY CLU ELEC
65	10040700		LOCKWASHER
68	105730x		KEEPER,BLT ENG LT
69	142432		SCREW HEXWSH H-L
71	140158		STRAP TORQ LH HYD
73	140157		STRAP TORQ RH HYD

Ref #	Part Number	Qty	Description
74	121199x		SPACER SPLIT
75	121749x		WASHER (2513009)
76	12000001		E-RING LT
77	123583x		SQUARE KEY
78	121748x		WASHER
81	140154		SUB= 156046
82	123782x		SPRING,TORSION
83	19171216		WASHER
84	140548		ROD.TIE.BALL.4.75
86	71208		BUSHING
87	19212016		WASHER D
88	12000008		KLIP RING
89	139989		SUB= 153762
91	74780536		NLA
92	74780524		HEX BOLT
93	142564		"LINE FUEL HYD 4""
94	140462		"FAN 7"" HYDRO"
95	144643		SUB= 918144643
96	4497h		RETAINER M
97	140469		BOLT KEEPER RH
98	73510600		NUT
100	19111216		WASHER M
102	141322		WASHER BELLEVILLE
103	73940800		SUB= 73360800
104	140156		ARM CONTROL HYDRO
105	71070516		SCREW CAP 5/16-18
106	74780520		BOLT

# TRACTOR -- MODEL NUMBER Y19H42A

## ELECTRICAL

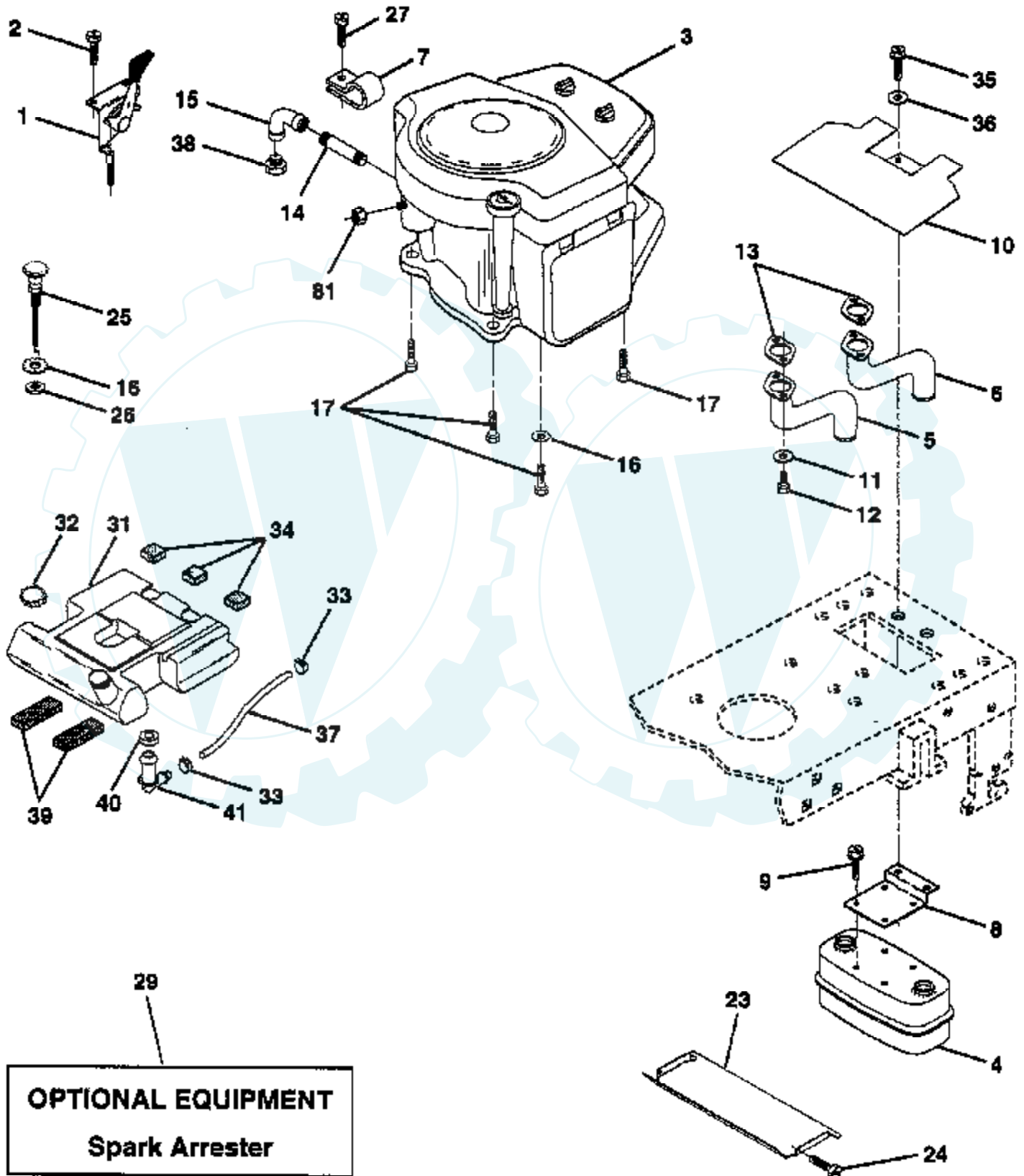




Ref #	Part Number	Qty	Description
1	121537x		No Desc
2	74760412		BOLT LT
3	19091016		WASHER
4	10040400		LOCKWASHER
5	121264x		CAP,BATTERY *
6	73220400		SUB= 50675
7	7697j		DRAIN TU T, BATT
8	7603j		TRAY T, BATTERY
9	109596x		HOSE CLAMP T
10	145211		SUB= 150177
11	145209		SUB= 150109
12	145769		SUB= 150177
19	10090400		SUB= 10040400
20	73350400		NUT
21	136850		"HARNESS,LIGHT SOC"
22	4152j		HEADLAMP BULB
24	4799j		CABLE T, BATTERY
25	146148		CABLE.6GA.22W/16W
26	108824x		FUSE HYT
28	145491		CABLE.GRND.6GA.21
29	121305x		SWITCH SEAT
30	144921		SUB= 163088
31	140400		SUB= 145774
32	141226		COVER KEY SWITCH
33	140401		KEY MLD GEN DELTA
34	110712x		SWITCH LT
35	108236x		BRACKET LT
36	17021008		SCREW
39	109553x		SWITCH INTERLOCKT
40	145493		HARNESS.ING.ELEC.
41	71110412		BOLT.HX.1/4-20
42	131563		SUB= 154336
43	145673		SUB= 146154
44	73510400		NUT
45	122822x		AMMETER
46	141940		PROTECTION LOOP
49	11151000		LOCKWASHER
50	140404		SUB= 154959
51	140405		RING RETAIN PTO
55	17490508		SCREW LT
70	143906		HARNESS ENG B&S

# TRACTOR - MODEL NUMBER Y19H42A

## ENGINE

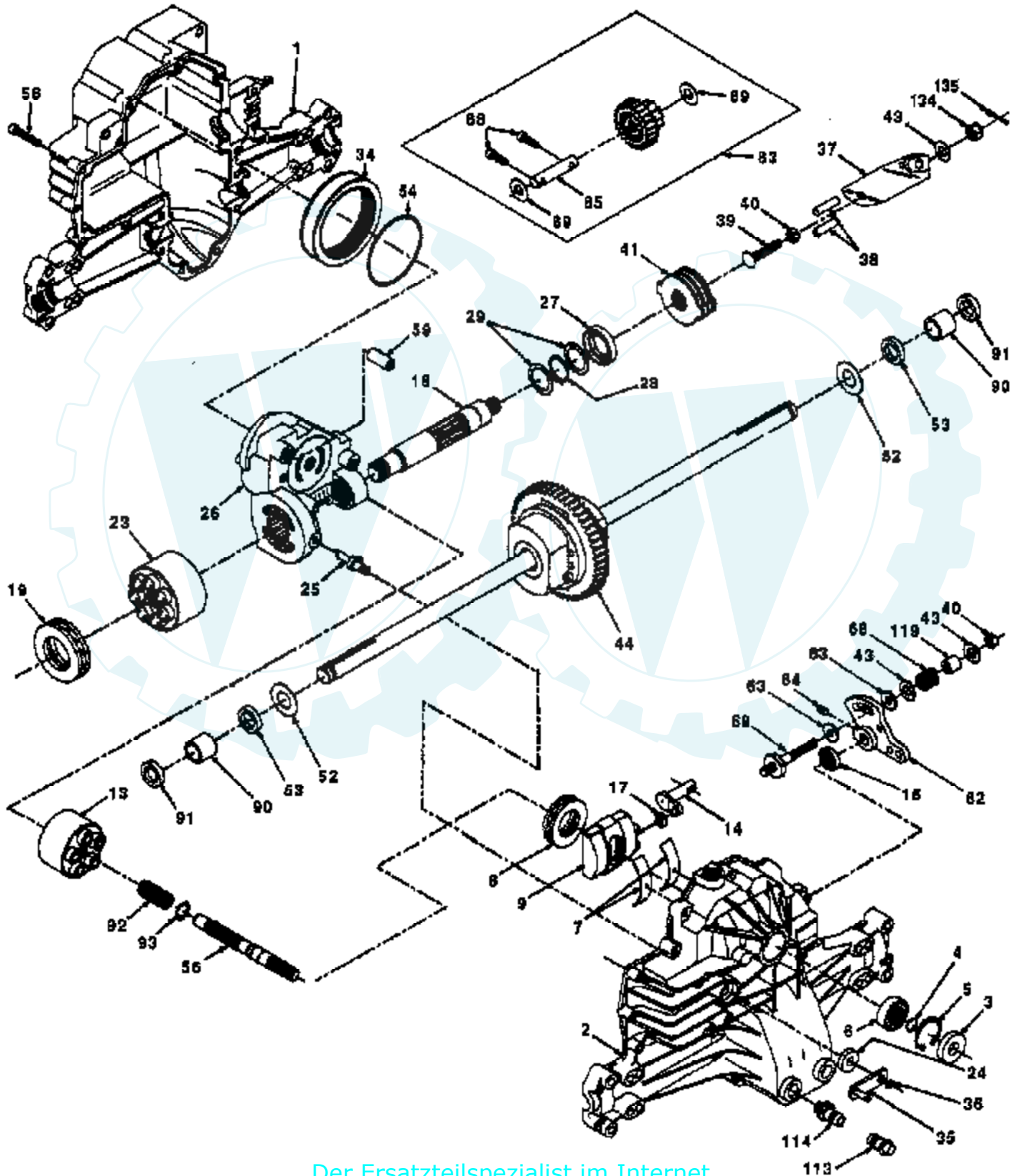


Ref #	Part Number	Qty	Description
1	144737		SUB= 150383
2	140506		DRAWBAR GT
3	140678x505		No Desc
4	73800700		NUT.7/16
5	140398		DASHBOARD BLACK
	8022j		PLUG-DASH T
6	145053		DASH.1PC.LOWER
7	17720408		SCREW
8	145166		SUPPORT.DASH.BTRY
9	108067x		PAL NUT LT
14	132653x505		
15	146459		LENS.BAR.CLEAR
16	121794x		COVER ACCESS
17	17490612		SCREW
18	140037		SUB= 140037X431
19	19131312		WASHER
20	73680600		SUB= 73690600
22	140679x505		PANEL SIDE RH *SUBS/2*
24	145243x505		FOOTREST.RH.LT/GT *SUBS/2*
26	17490512		SCREW
27	73220400		SUB= 50675
28	145244x505		FOOTREST.LH.LT/GT *SUBS/2*
29	145205		DASH.SUPT.YP/HUSQ
30	145052		SADDLE.HYDRO.95
31	145183		BRACKET.SUPT.STEER
32	141315		BRACKET ASM FRAME
33	141314		BRACKET ASM FRAME
34	142131		BRACKET.ENG.SUPT.
35	19111116		WASHER
36	74780512		BOLT
37	140002x505		No Desc
38	10040400		LOCKWASHER
39	136961		BRACKET.AXLE.FRT.
40	142132		SUB= 156111
43	136939		BRACKET.SUS.FT.LH
44	136940		BRACKET.SUS.FT.RH
45	138460		SUB= 155887
46	19091216		WASHER PM
47	17490608		SCREW LT
50	136575		BRACKET.CHASSIS.
51	17580408		SCREW CRT
52	73680500		SUB= 73690500
56	138461		SUB= 155886
57	73640400		NUT HXKEP 1/4X20
58	137113		BRKT.ASM.FENDER
60	17490620		SCREW
61	124392x417		No Desc
63	19131614		WASHER
65	104618x		No Desc
68	17490508		SCREW LT
69	140022		SHIELD.HEAT.MUF
70	137159		GUIDE.BELT.MID.SP
71	144916x505		STRAP.GRILLE.PNT.
72	74180512		SCREW
73	106784x		No Desc
74	74191008		SCREW
75	10071000		LOCKWASHER
76	2029j		WELDNUT

Ref #	Part Number	Qty	Description
79	74981020		SCREW
80	7206j		SPACER LT
81	19070818		WASHER
82	73731000		NUT
84	142992		STOP.OVER.CENTER
86	74760716		BOLT
90	11050600		LOCKWASHER
91	144735		SUB= 151630
92	140130x012		PLATE YP SLKSCR
94	100207k		CLIP GTV
95	105531x		NUT-PUSH YT
98	105531x		NUT-PUSH YT
98	140503		BRACKET SKID CHAS
99	140871		ROD BYPASS
100	124236x		
101	17490628		SCREW LT
102	4497h		RETAINER M
103	142273		LOCK BYPASS BRKT
106	138776		SUB= 157722
107	109808x		HOOD LATCH T
113	123198x		No Desc
114	72140610		BOLT.3/8-14X1.25
115	141460		BUMPER.ASM.W/PY
116	141461		BRACKET.EXT.BUMP.
117	143679		PLUG.PLASTIC
118	19131316		WASHER
119	73680600		SUB= 73690600
120	19131616		WASHER HYT
122	17030814		SUB= 91817030814
123	123481x		No Desc
124	73800400		NUT

# TRACTOR - - MODEL NUMBER Y19H42A

## HYDRO GEAR TRANSAXLE - MODEL NUMBER 310-0760





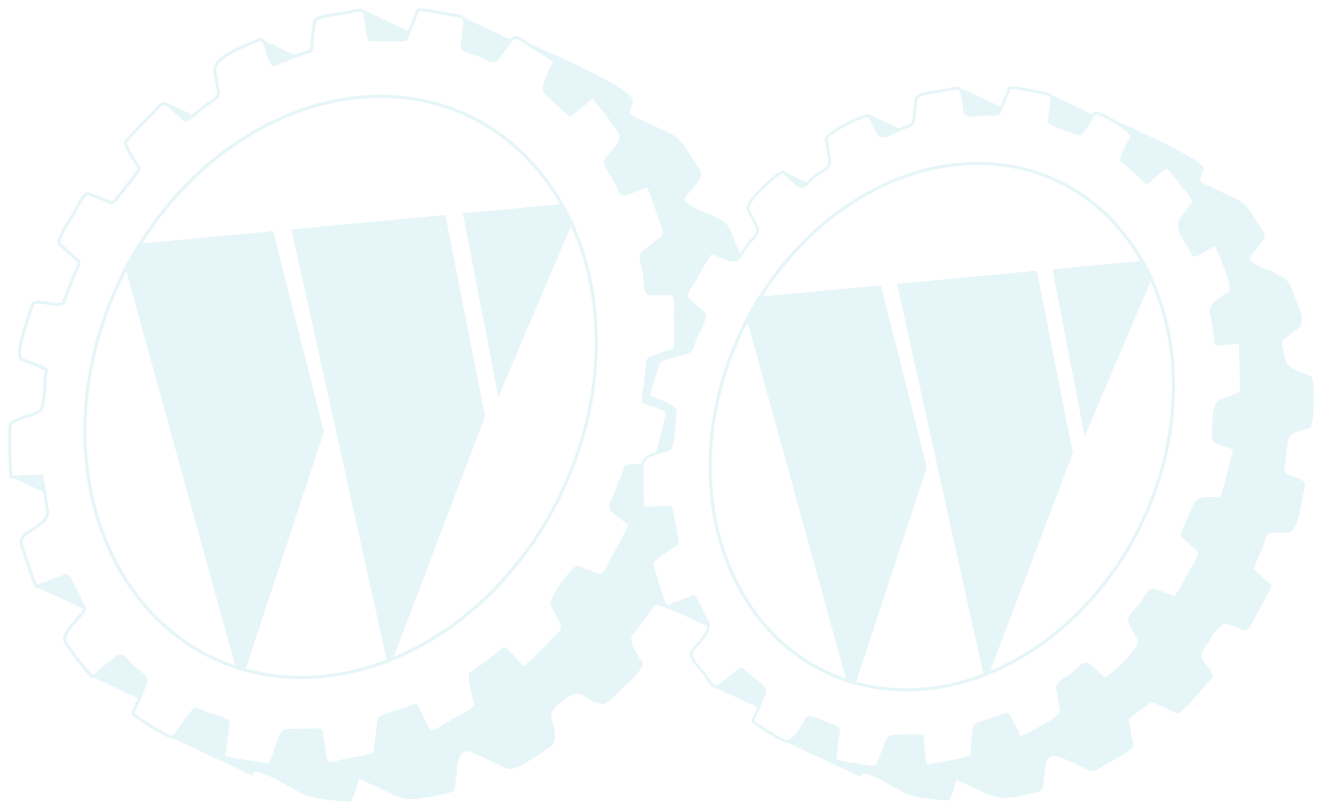
---

Ref # Part Number

Qty Description

---

No Parts Lists For Image





Ref #	Part Number	Qty	Description
1	144393		DECK.WELD.42.
2	72140506		BOLT
3	138017		BRKT ASM SWAY BAR
4	138440		BRKT DECK SW BAR
5	4939m		No Desc
6	130832		SUB= 130833
8	850857		BLADE BOLT
9	10030600		SUB= 10040600
10	140296		WASHER.HARD.BLADE
11	138498		"BLADE.42"" HIPERF"
12	129895		BEARING.BALL
13	137645		SUB= 137646
14	128774		HSG ASM MANDREL
15	110485x		BEARING
16	140329		STRIPPER RND MWR
17	72110618		BOLT CARRIAGE
18	72140505		BOLT
19	132827		BOLT SHD 5/16-18
20	136888		SUB= 918136888
21	73680500		SUB= 73690500
22	134753		STIFFENER BRKT
23	131267		DEFLECTOR BRKT
24	105304x		CAP-SLEEVE(107627)
25	123713x		SPRING TORSION
26	110452x		NUT PUSH M
27	130968		DEFLECTOR.SHIELD
28	19111016		WASHER
29	131491		HINGE ROD
30	138776		SUB= 157722
31	129963		WASHER
32	129861		SUB= 153535
33	137266		SUB= 139729
34	72110622		BOLT
35	133835		XMAS TREE FASTNER
36	131494		FLAT IDLER PULLEY
37	19131316		WASHER
38	132823		SUB= 532132823
40	73680600		SUB= 73690600
44	140088		GUARD MAND LH BLK
46	137729		SCREW.1/4-20X5/8
54	133943		HARDENED WASHER
55	140084		SUB= 151785
56	122052x		No Desc
59	141043		GUARD IDLER TUV
61	131950		SPRING.EXTENSION
68	144200		BELT.V.T-PATH
83	120958x		WASHER
84	144394		SUB= 156084
85	72140620		BOLT
111	140353		SUB= 155197
112	132262		SUB= 155198
113	17490512		SCREW
114	73510500		NUT
115	72110504		SUB= 872110504
116	4898h		BOLT M
117	105455x		WHEEL.GAGE.BLK.PL
118	73930600		LOCKNUT
119	19121414		WASHER

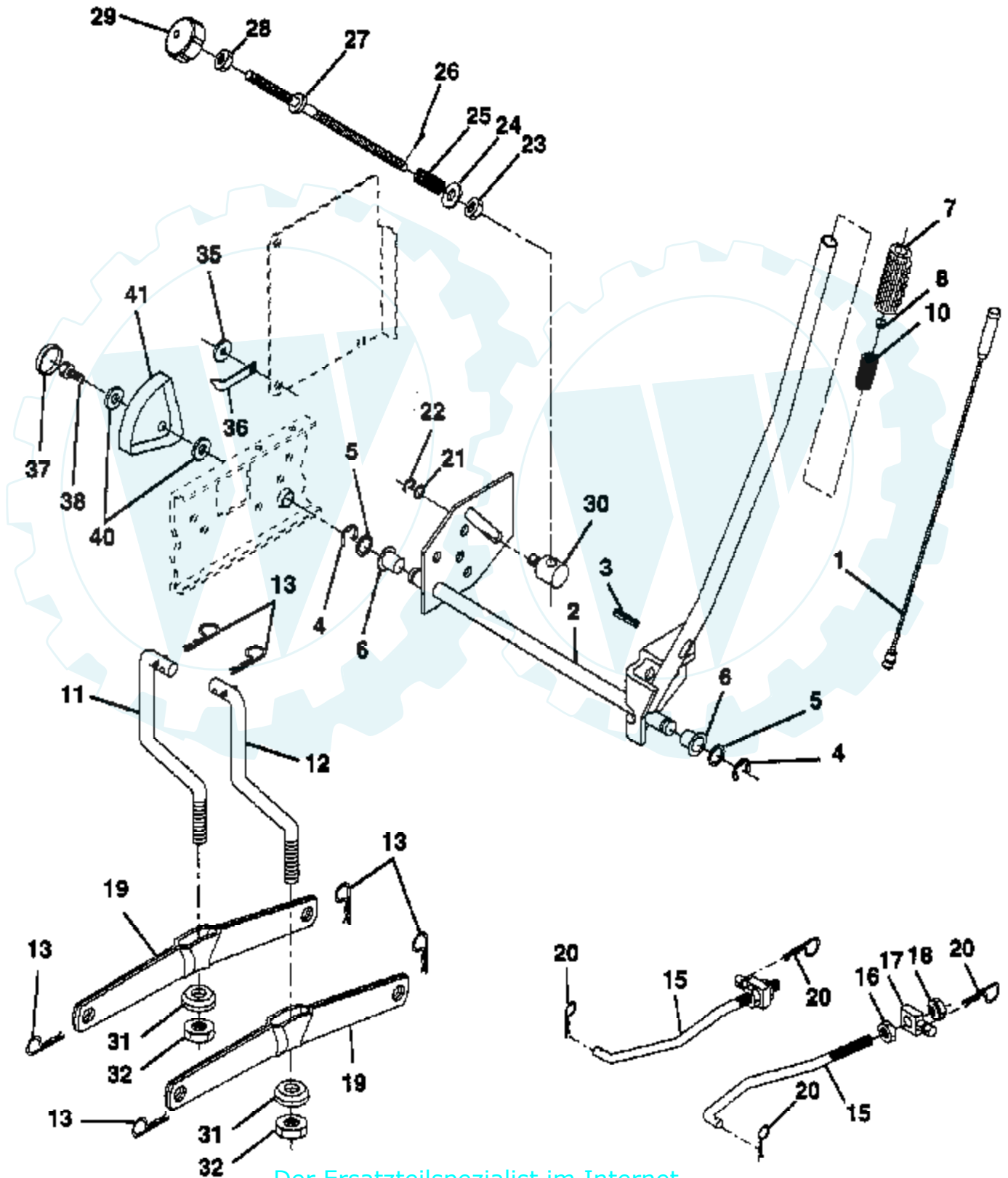


Ref #	Part Number	Qty	Description
120	19171512		WASHER
121	143723		BRACKET.EXTRD.GWL
125	76020816		COTTER PIN
	130794		MANDREL ASM
	145024		SUB=164964



# TRACTOR - - MODEL NUMBER Y19H42A

## MOWER LIFT

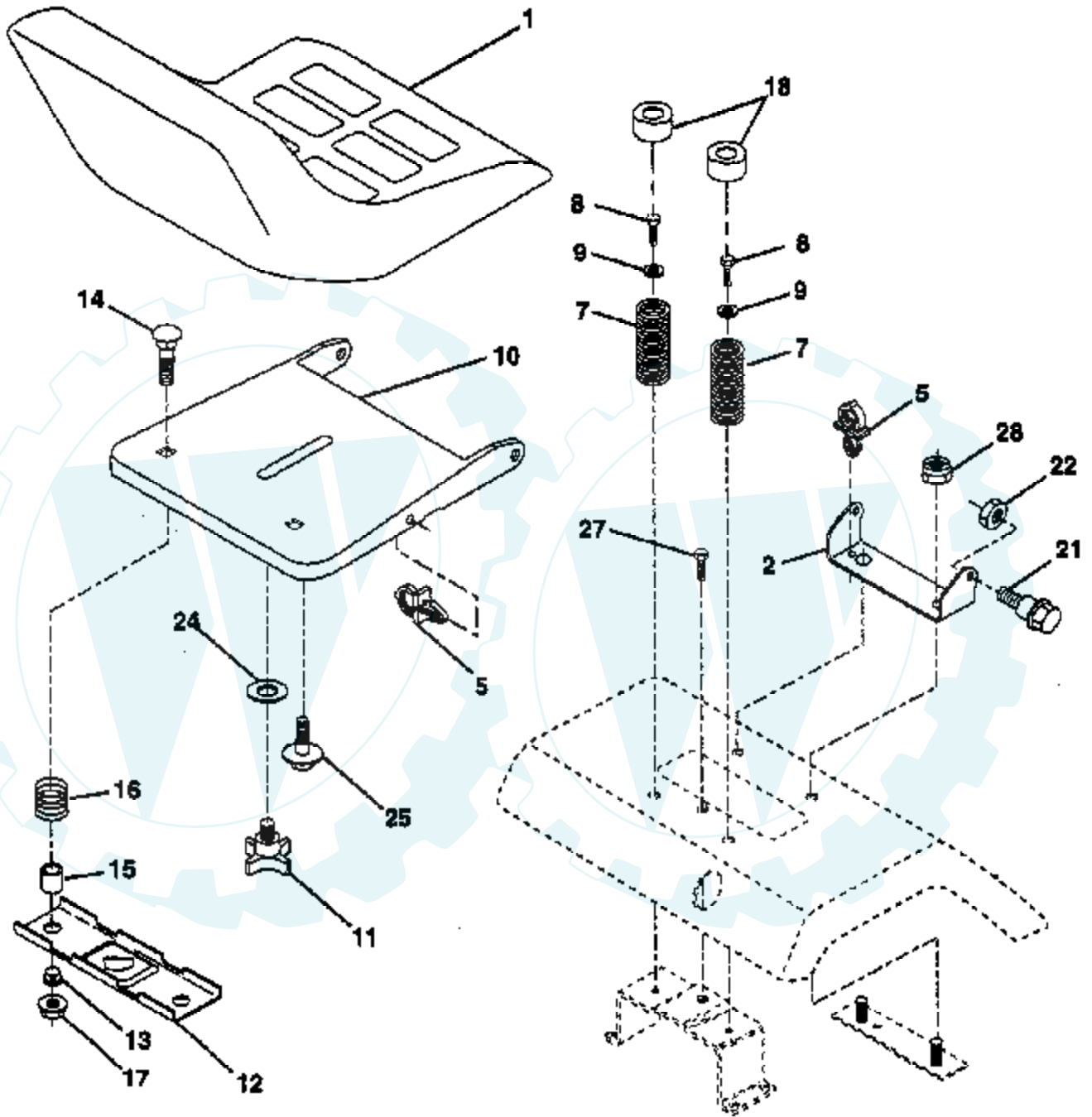


Ref #	Part Number	Qty	Description
1	136971		WIRE.ASM.INNER
2	136968		SHAFT.ASM.LIFT.RH
3	138384		PIN GROOVE
4	12000002		SUB= 2225J
5	19211621		WASHER
6	120183x		NYLON BEARING
7	109413x		GRIP
8	124526x		No Desc
10	122512x		No Desc
11	139865		SUB= 918139865
12	139866		SUB= 151140
13	4939m		No Desc
15	127218		LINK.FRONT
16	73350800		NUT
17	130171		TRUNION
18	73800800		NUT.LK.W/WSH.1/2.
19	139868		ARM SUSP REAR
20	3146r		RETAINER.SPRING
21	1915126		WASHER 15/32 X 3/4 X 16 GAUGE
22	12000037		KLIP RING
23	1108007x		
24	19131016		WASHER
25	137150		SPRING.COMP.INF.H
26	76020308		SUB= 3145
27	137167		ROD.ADJ.LIFT
28	73350600		NUT
29	138057		KNOB INF 3/8-16
30	110810x		TRUNION LT
31	140302		BEARING PVT LH
32	73540600		NUT.CROWNLOCK.3/8
35	120529x		WASHER T
36	123933x505		POINTER HGT IND
37	123935x		PLUG,HOLE
38	17490512		SCREW
40	19112410		WASHER
41	123934x		HEIGHT INDICATOR

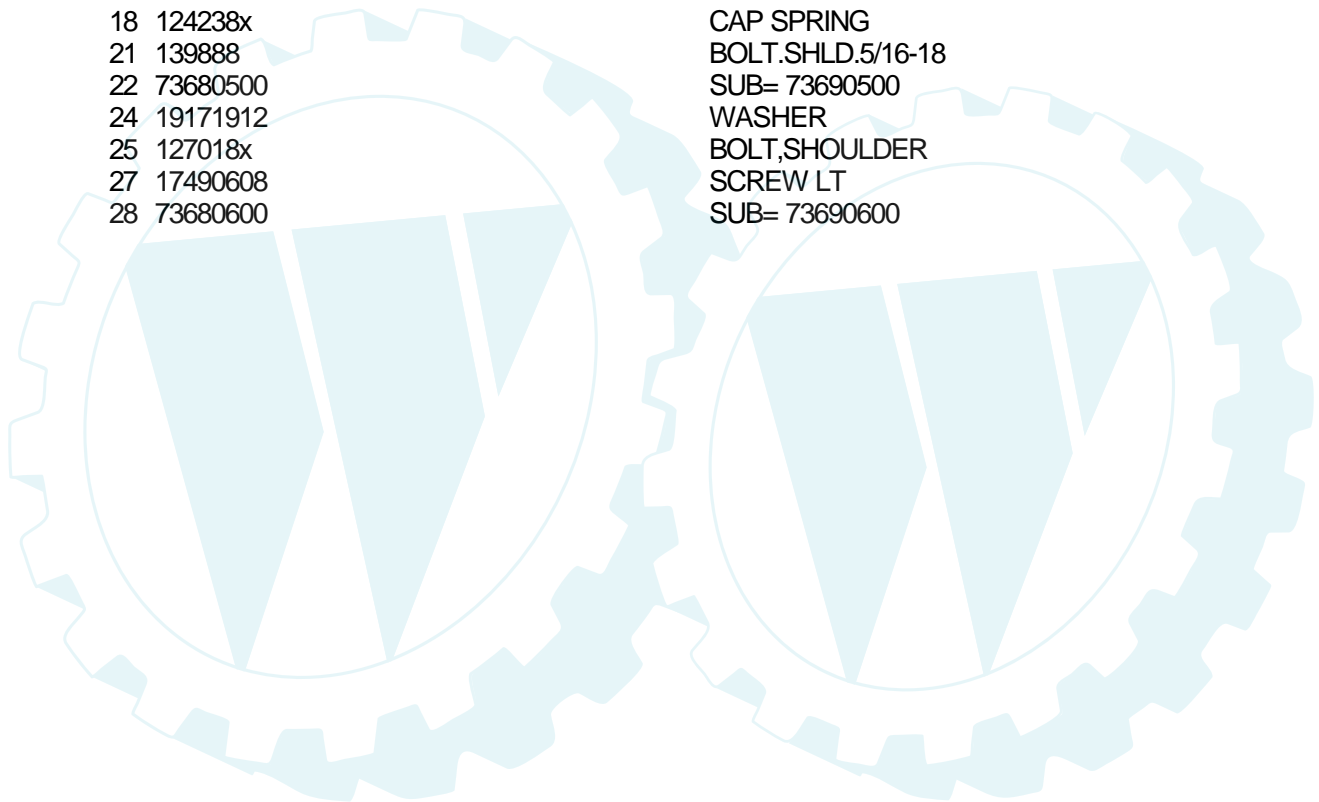
## TRACTOR - - MODEL NUMBER Y19H42A

### SEAT ASSEMBLY

**NOTE:** All component dimensions given in U.S. inches  
1 inch = 25.4 mm

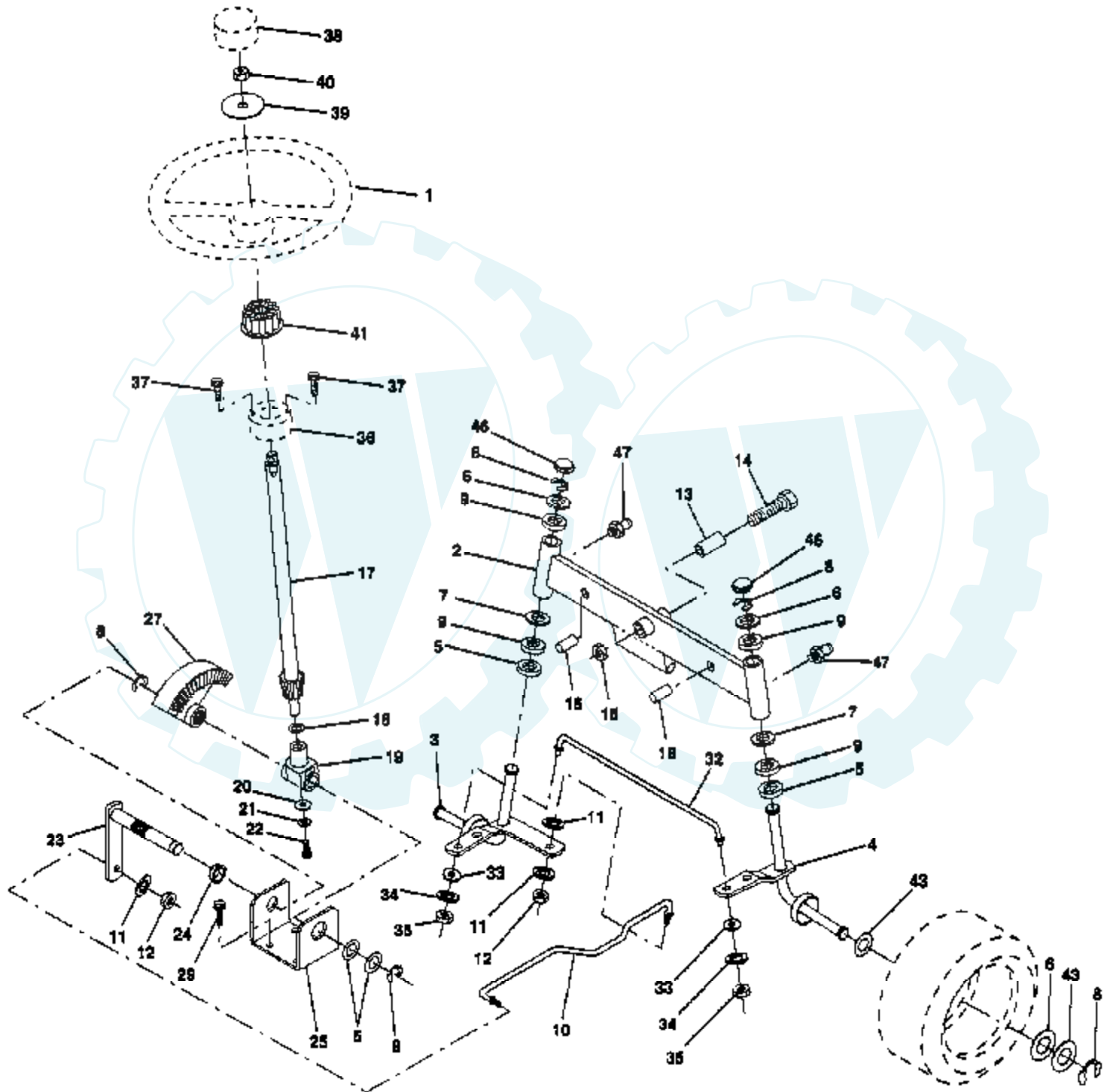


Ref #	Part Number	Qty	Description
1	127440		SUB= 140121
2	140551		BRACKET PVT SEAT
5	145006		CLIP.PUSH-IN.HING
7	124181x		SPRING COMPRESSIO
8	17490508		SCREW LT
9	19131614		WASHER
10	140552		SUB= 155925
11	120068x		
12	121246x		BRKT SWITCH
13	121248x		BUSHING
14	72050411		SUB= 872050411
15	121249x		SPACER SPLIT
16	123740x		SPRING COMPRESSED
17	123976x		No Desc
18	124238x		CAP SPRING
21	139888		BOLT.SHLD.5/16-18
22	73680500		SUB= 73690500
24	19171912		WASHER
25	127018x		BOLT,SHOULDER
27	17490608		SCREW LT
28	73680600		SUB= 73690600



# TRACTOR -- MODEL NUMBER Y19H42A

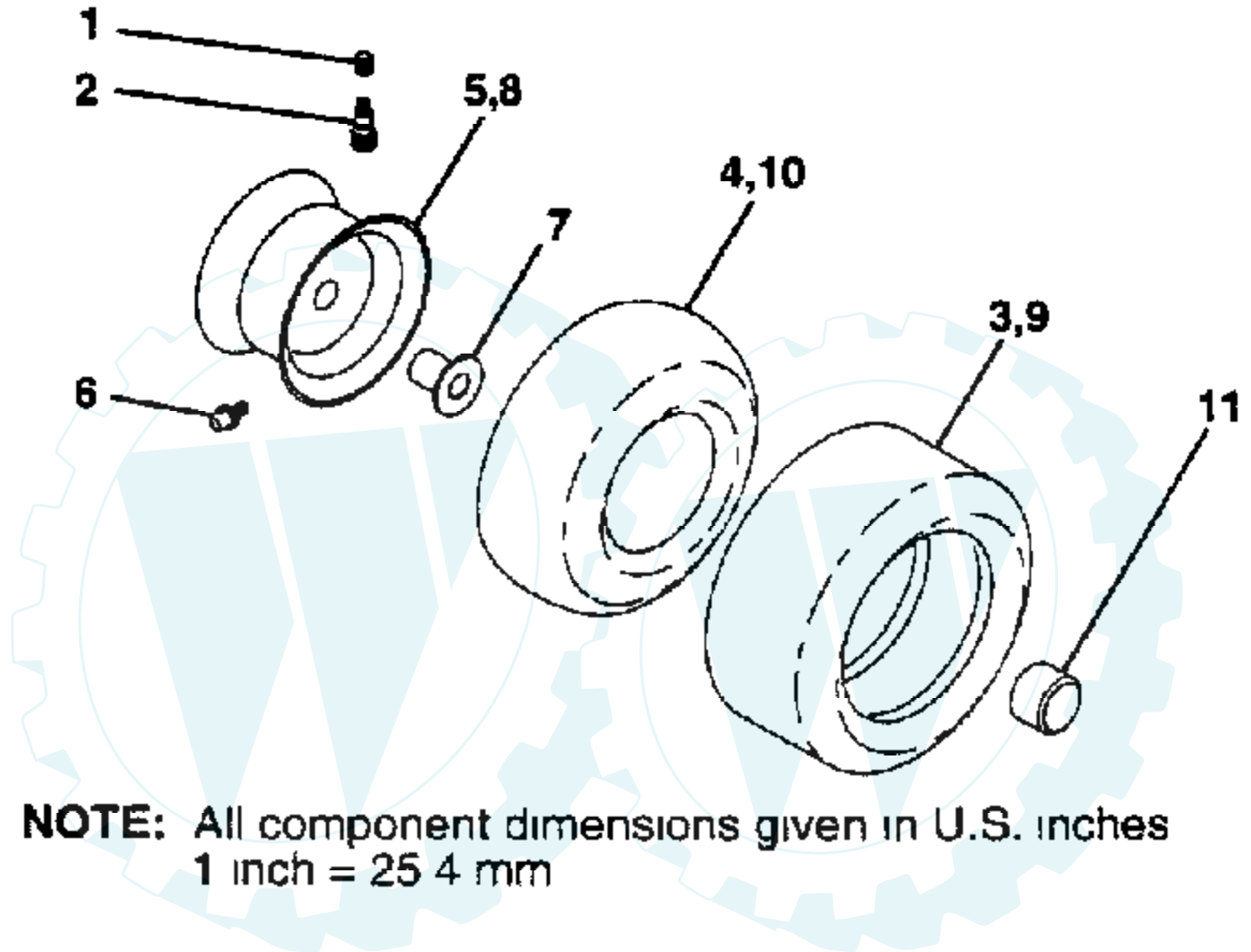
## STEERING ASSEMBLY



Ref #	Part Number	Qty	Description
1	121472x		No Desc
2	142033		AXLE ASM FRONT
3	135228		SPINDLE RH
4	135228		SPINDLE RH
5	6266h		WASHER .T
6	121748x		WASHER
7	19272016		WASHER
8	12000029		RING
9	3366r		COL. SRTG. BEAR.
10	130468		SUB= 532130468
11	10010600		WASHER, LOCK 3/8
12	73610600		SUB= 7810H
13	110438x		
14	74011056		BOLT HEX 5/8-11
15	73901000		"NUT-LOC,FLANGE LT"
16	132624		AXLE PIN
17	128762		SUB= 156544
18	57079		THRUST WASHER
19	124035x		No Desc
20	126684x		No Desc
21	10040400		LOCKWASHER
22	71070410		"SCREW,SPECIAL"
23	127501		SUB= 918127501
24	109816x		NYLINER T (7283A)
25	124036x		BRKT,STEERING
27	136874		GEAR SECTOR
29	17490612		SCREW
32	130467		TIE ROD
33	19111216		WASHER M
34	10040500		LOCKWASHER
35	73810500		NUT.LOCK.5/16-24
36	145207		BUSHING.STRG.3/4
37	17541008		SCREW.10-24X1/2
38	121584x		INSERT STEERING
39	100712k		WASHER
40	73940800		SUB= 73360800
41	100711l		No Desc
43	121749x		WASHER (2513009)
46	121232x		CAP
47	6855m		ZERK M

# TRACTOR - - MODEL NUMBER Y19H42A

## WHEELS & TIRES





Ref #	Part Number	Qty	Description
1	59192		VALVE CAP
2	65139		VALVE STEM LT
3	106222x		No Desc
4	59904		TUBE.5.3/4.5/6
5	106732x417		RIM,FRT T
6	278h		FITTING LT
7	9040h		FLANGE, BEARING
8	106108x417		RIM 8
9	122082x		
10	7152j		TUBE.18X9.5-8
11	104757x		No Desc
	144334		SEALANT.TIRE 10 OZ. TUBE

