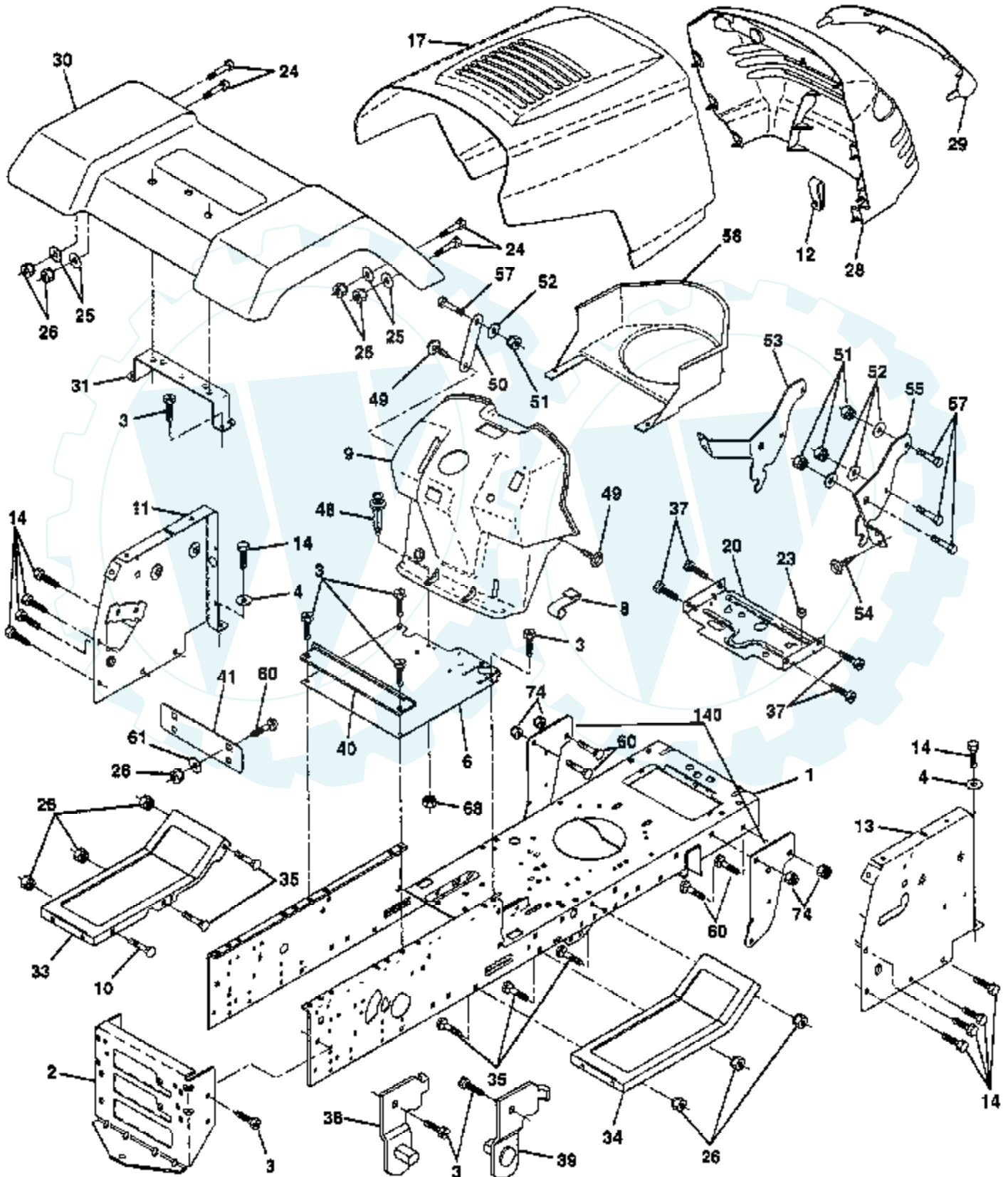


# TRACTOR - MODEL NUMBER Y1846A

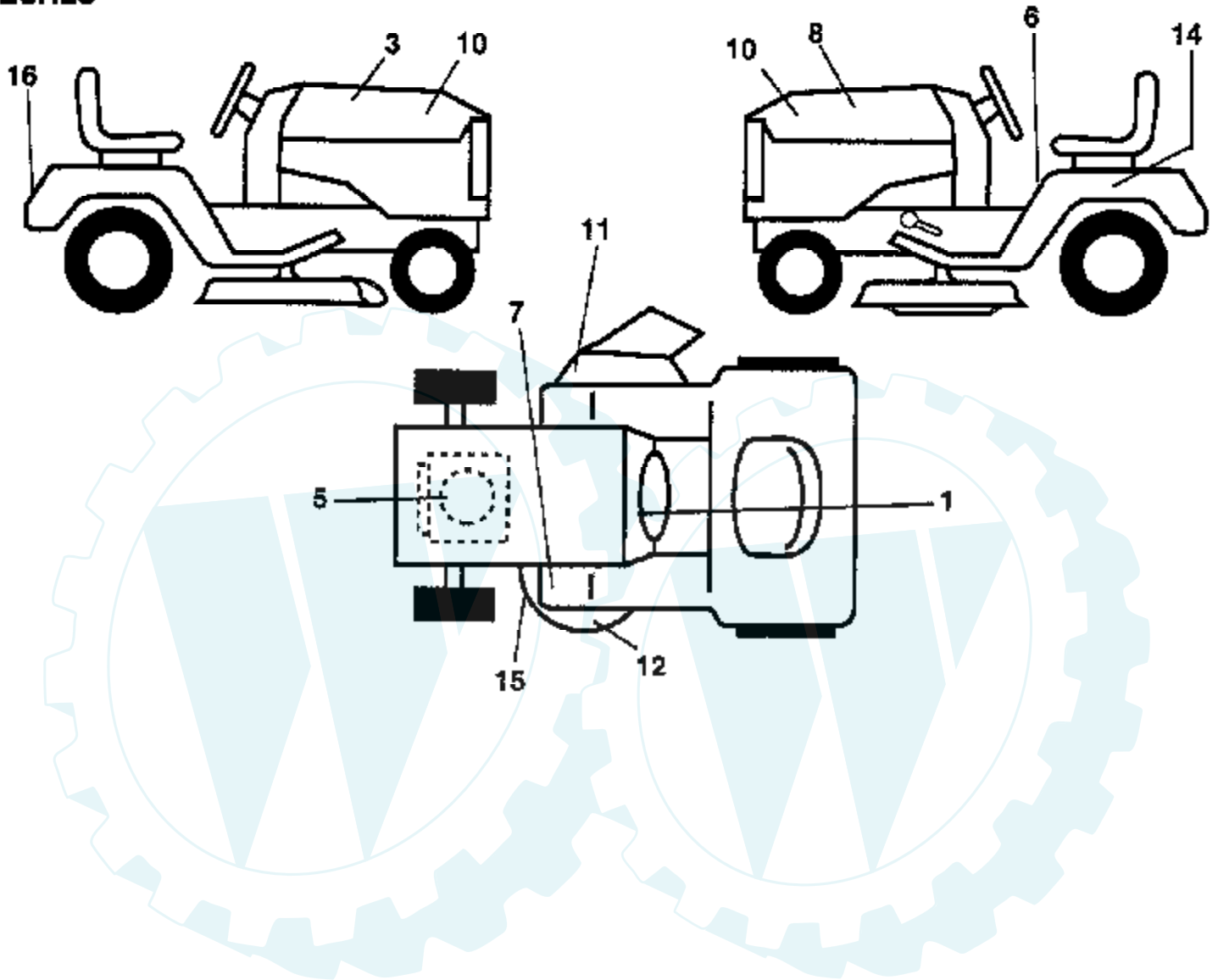
## CHASSIS AND ENCLOSURES



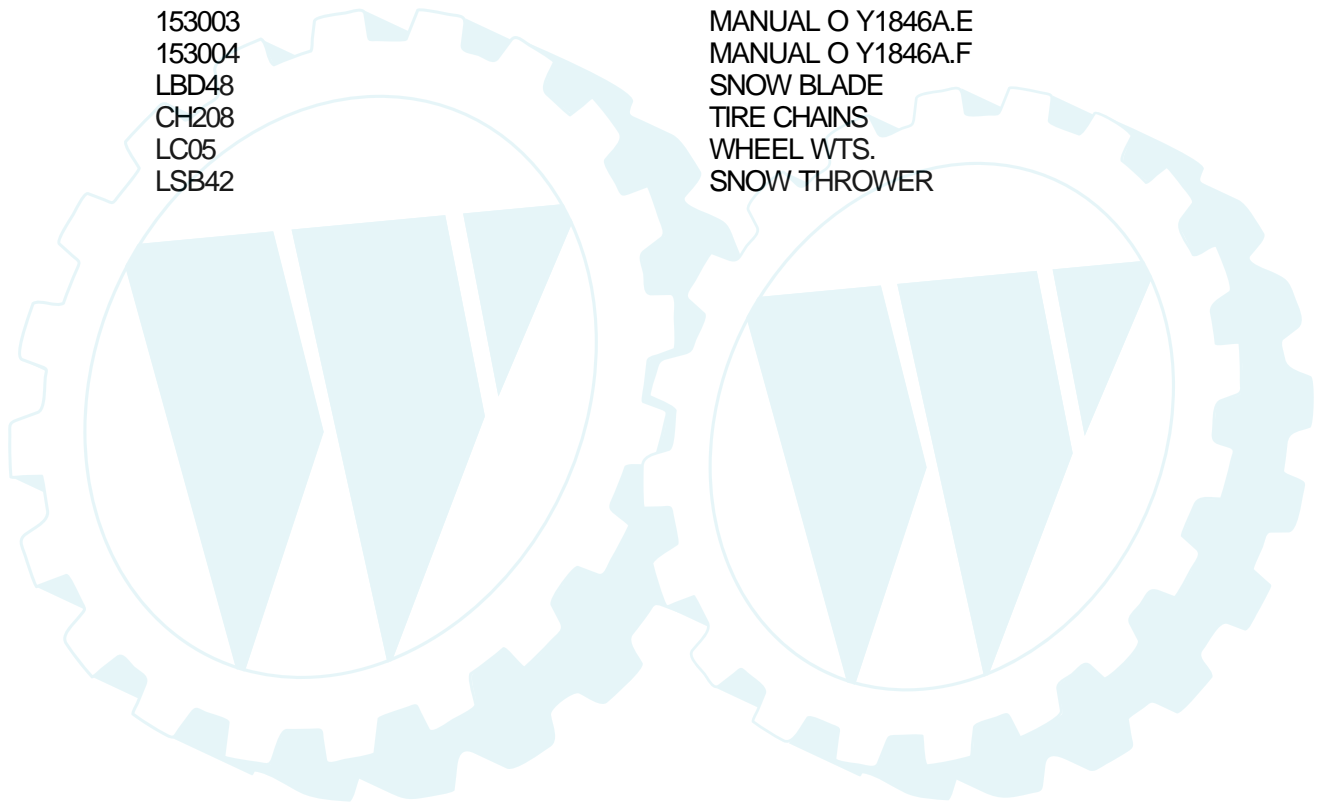
Ref #	Part Number	Qty	Description
1	151169		CHASSIS WLDMT 11G
2	140356		SUB= 145009
3	17490612		SCREW
4	19131216		WASHER
6	145206		SUB= 145206X431
8	126471X		"CLIP,INSULATOR"
9	140621		SUB= 142466
10	72140608		SUB= 72110608
11	146964		PANEL.DASH.LH.A
12	145660		CLIP.TINNERMAN
13	146960		PANEL.DASH.RH.
14	17490608		SCREW LT
17	139394X505		SUB= 159639X505
20	145210		PLATE.MTG.BTRY.TK
23	124028		BUSHING
24	74780616		BOLT
25	19131312		WASHER
26	73800600		NUT
28	140141		SUB= 157373
29	140273		LENS GRILLE
30	140001X505		FENDER PNT LT
31	139976		BRACKET SUPT FEND
33	145244X505		FOOTREST.LH.LT/GT
34	145243X505		FOOTREST.RH.LT/GT
35	72110606		BOLT
37	17490508		SCREW LT
38	139886		BRACKET ASM LH
39	139887		BRACKET ASM RH
40	139977		SPACER FENDER LT
41	139978		PLATE EXTEN FEND
48	138096		RIVET.PUSH.PLATE
49	17490412		SCREW HEX CRT
50	142779		BRACE SUPT DASH
51	73800400		NUT
52	19091416		WASHER
53	144697		BRACKET.GRILLE.LH
54	17030814		SUB= 91817030814
55	144696		BRACKET.GRILLE.RH
57	74780412		SUB= 74780414
58	140547		DUCT.AIR.B&S.18HP
60	72140606		BOLT
61	19171416		WASHER
68	73510400		NUT
74	73680600		SUB= 73690600
140	532150556		SUB= 158739

### TRACTOR -- MODEL NUMBER Y1846A

#### DECALS

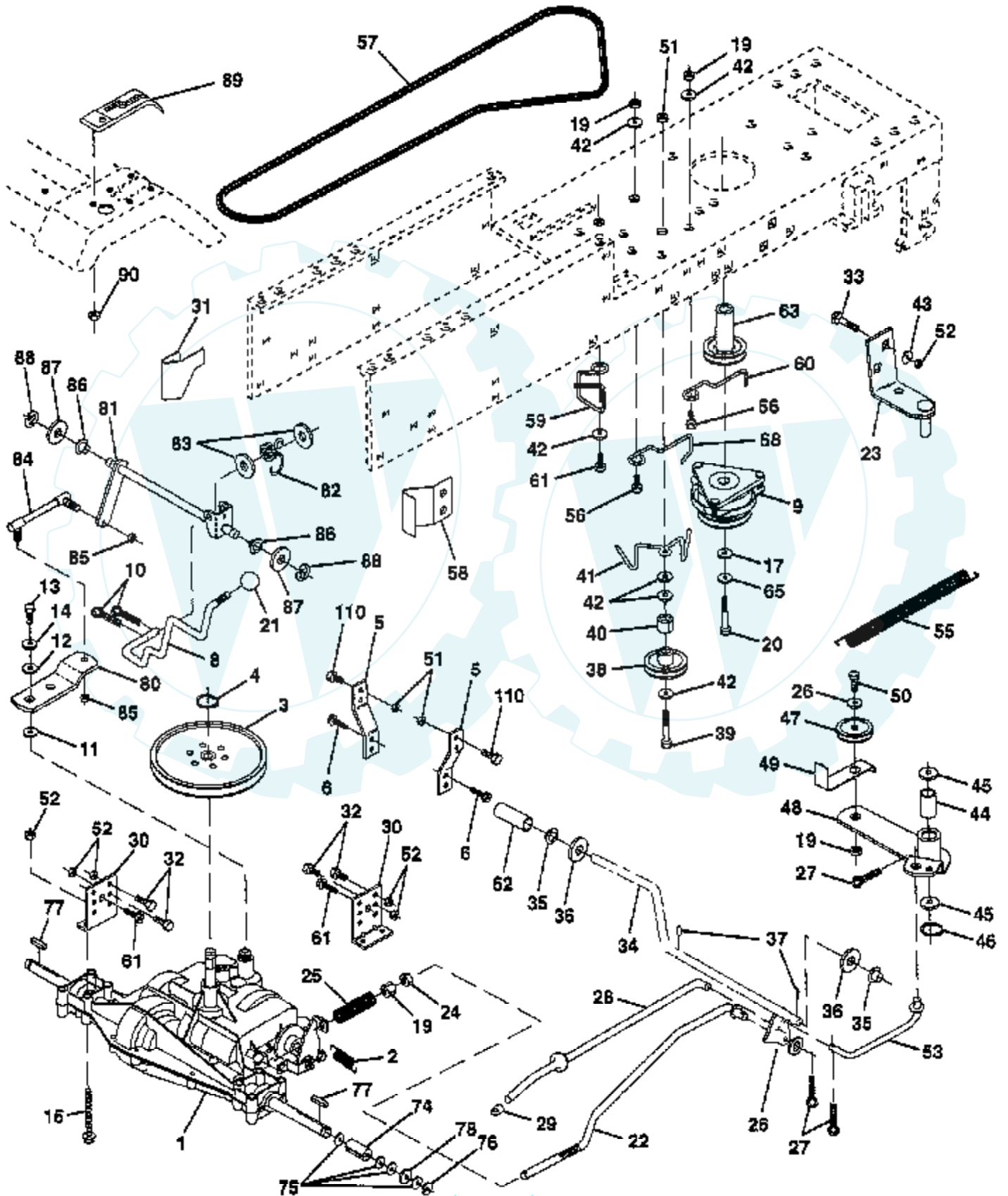


Ref #	Part Number	Qty	Description
1	140820		DECAL DASH INS OP
3	143335		DECAL.HD.RH.
5	272091		DECAL ENGINE
6	133795		DECAL CAUTION
7	101892X		DECAL T
8	143336		DECAL.HD.LH.
10	153056		DECAL PANEL SIDE
11	137259		"DECAL, WARNING"
12	135013		NLA
14	146451		DECAL.BTRY.DANGER
15	139346		"DECAL.V.BELT.44""
16	123689X		NLA
	138311		DECAL HANDLE LIFT
	133671		FOOTREST PAD
	153003		MANUAL O Y1846A.E
	153004		MANUAL O Y1846A.F
	LBD48		SNOW BLADE
	CH208		TIRE CHAINS
	LC05		WHEEL WTS.
	LSB42		SNOW THROWER



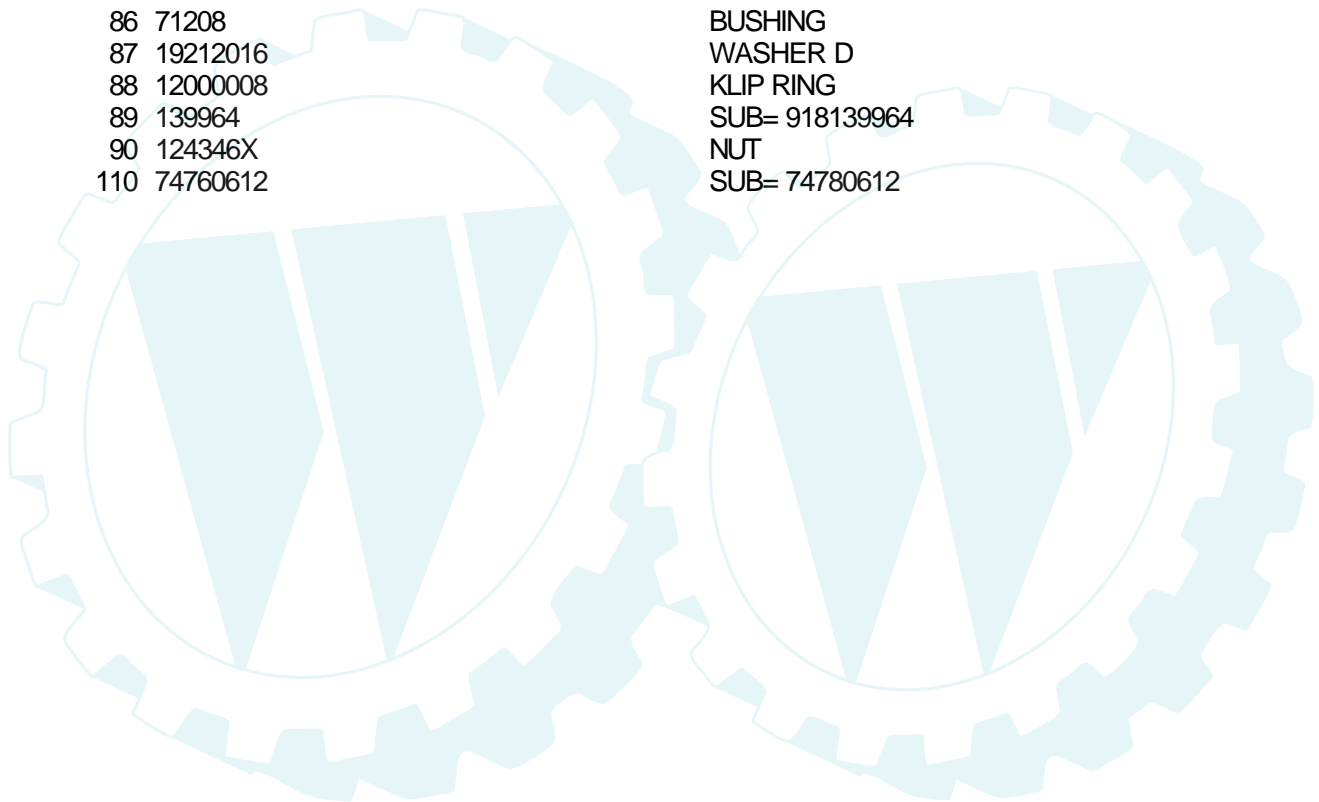
# TRACTOR -- MODEL NUMBER Y1846A

## DRIVE



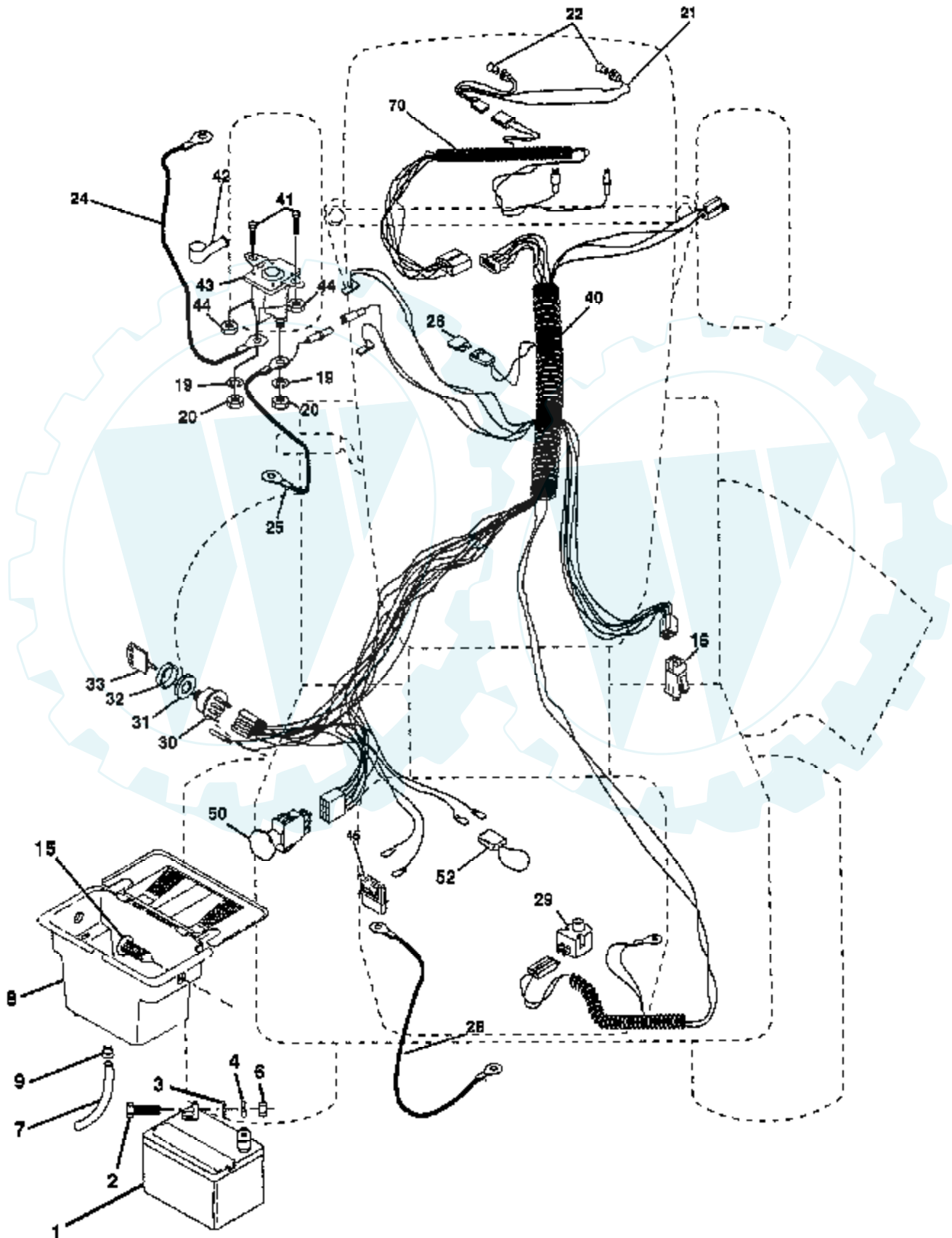
Ref #	Part Number	Qty	Description
1	145605		SUB= 161899
2	146682		SPRING.BRAKE.RETU
3	123666X		PULLEY TRANS
4	12000028		SUB= 2267J
5	121520X		STRAP TORQUE
6	17490512		SCREW
8	141003		ROD SHIFT FEND LT
9	137140		SUB= 142600
10	76020416		PIN COTTER 1/8
11	105701X		WASH-SHFT PLT LT
12	19151216		WASHER
13	74550412		BOLT.1/4-28.W/PAT
14	10040400		LOCKWASHER
15	74490544		BOLT.HX.FLG.5/16
17	126197X		WASHER
19	73800600		NUT
20	150280		BOLT.7/16-20X4.25
21	121274X		KNOB.DUCKHEAD.1/2
22	130804		BRAKE ROD
23	137141		BRACKET.ASM.MTG
24	73350600		NUT
25	106888X		SPRING ROD LT
26	19131316		WASHER
27	76020412		COTTER PIN
28	145204		ROD.BRAKE.PARK.LT
29	71673		PLUNGER CAP T
30	130807		TRANSAXLE MTG BKT
31	127275X		"KEEPER,BELT LH T"
32	74760512		BOLT
33	72140506		BOLT
34	151128		SHAFT FOOT PEDAL
35	120183X		NYLON BEARING
36	19211616		WASHER LT
37	1572H		SUB= 2882J
38	123674X		PULLEY.IDLER.FLAT
39	74760644		BOLT
40	4470J		SPACER T
41	153399		KEEPER BELT
42	19131312		WASHER
43	19111012		WASHER T
44	105706X		"LY, BEARING"
45	110812X		WASHER LT
46	12000039		KLIP RING
47	127783		SUB= 139245
48	123789X		ARM IDLER
49	123205X		RETAIN BELT
50	74760624		SUB= 74930624
51	73680600		SUB= 73690600
52	73680500		SUB= 73690500
53	105710X		"LINK, CLUTCH T"
55	105709X		"SPRING, RETURN LT"
56	74760620		SUB= 74780620
57	130801		SUB= 138255
58	127274X		"KEEPER,BELT RH T"
59	140312		KEEPER BELT CNTSP
60	121218X		KEEPER BELT ENGLH
61	17490612		SCREW
62	8883R		PEDAL COVER T

Ref #	Part Number	Qty	Description
63	140189		PULLEY CLU ELEC
65	10040700		LOCKWASHER
68	105730X		"KEEPER,BLT ENG LT"
74	109502X		SPACER LT
75	121749X		WASHER
76	12000001		E-RING LT
77	123583X		SQUARE KEY
78	121748X		WASHER
80	131487		ARM SHIFT TRANS
81	136933		SHAFT ASM.SHIFT
82	123782X		"SPRING,TORSION"
83	19171216		WASHER
84	132183		TIE ROD
85	150360		NUT.CNT.LOCK.1/4
86	71208		BUSHING
87	19212016		WASHER D
88	12000008		KLIP RING
89	139964		SUB= 918139964
90	124346X		NUT
110	74760612		SUB= 74780612



### TRACTOR - MODEL NUMBER Y1846A

### ELECTRICAL

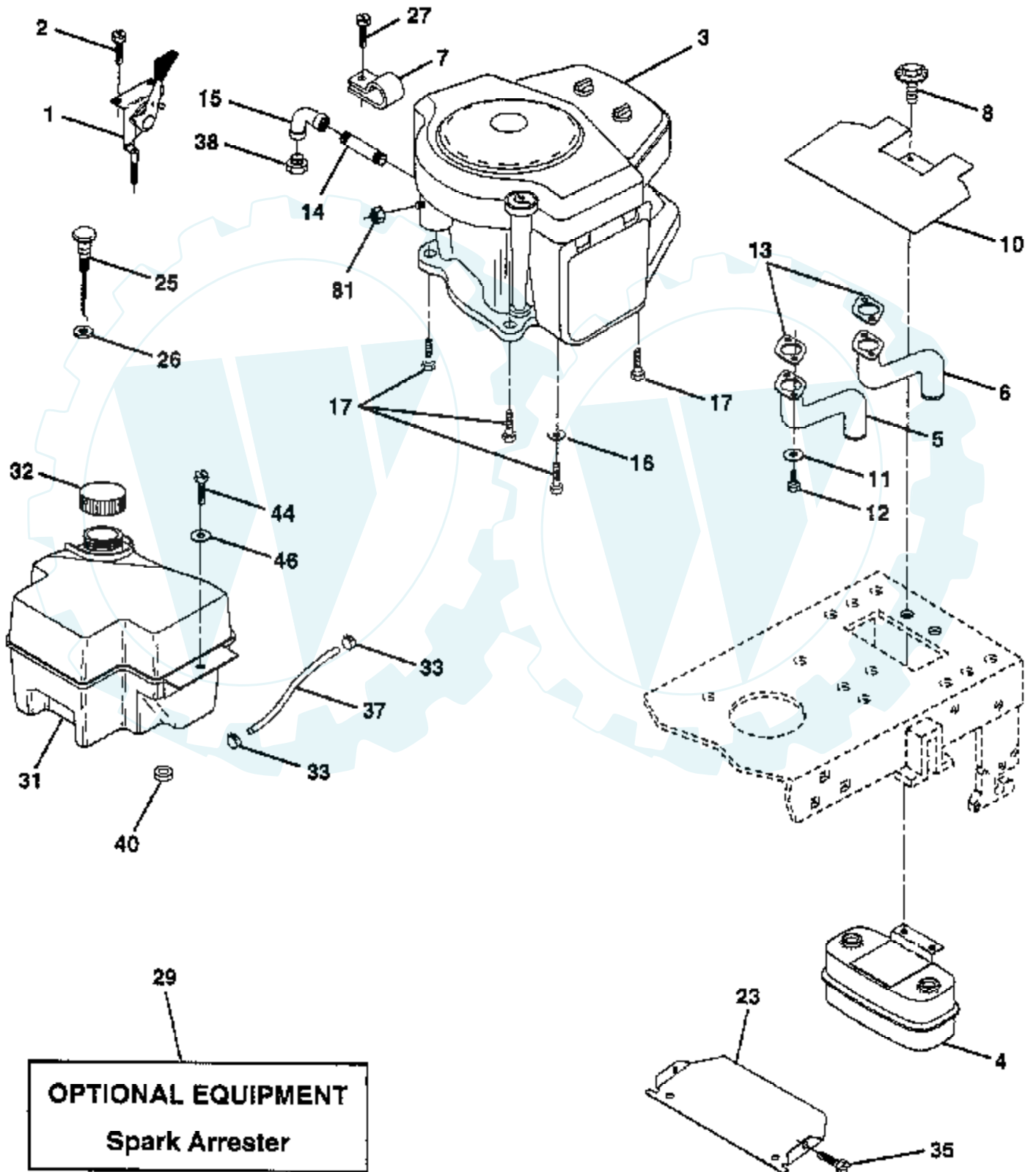




Ref #	Part Number	Qty	Description
1	146139		SUB= 123899X
2	74760412		BOLT LT
3	19091016		WASHER
4	10040400		LOCKWASHER
6	73220400		SUB= 50675
7	109238X		TUBE T
8	144940		SUB= 156417
9	109596X		HOSE CLAMP T
15	147688		FASTNER.SNAP-IN
16	153664		SWITCH INTERLOCK
19	10090400		SUB= 10040400
20	73350400		NUT
21	136850		"HARNESS,LIGHT SOC"
22	4152J		HEADLAMP BULB
24	4206J		CABLE-BATTERY T
25	146147		CABLE.BTRY.6GA.RD
26	108824X		FUSE HYT
28	4207J		CABLE T
29	121305X		SWITCH SEAT
30	140301		SWITCH IGN 4POS
31	124211X		NUT IGNITION
32	141226		COVER KEY SWITCH
33	122147X		KEY
40	151215		IGNITION HARNESS
41	71110408		BOLT HXHD FIN
42	131563		SUB= 154336
43	145673		SUB= 146154
44	73640400		NUT HXKEP 1/4X20
45	122822X		AMMETER
50	140404		SUB= 154959
52	141940		PROTECTION LOOP
70	149858		HARNESS.ENG.PL/LT

# TRACTOR - - MODEL NUMBER Y1846A

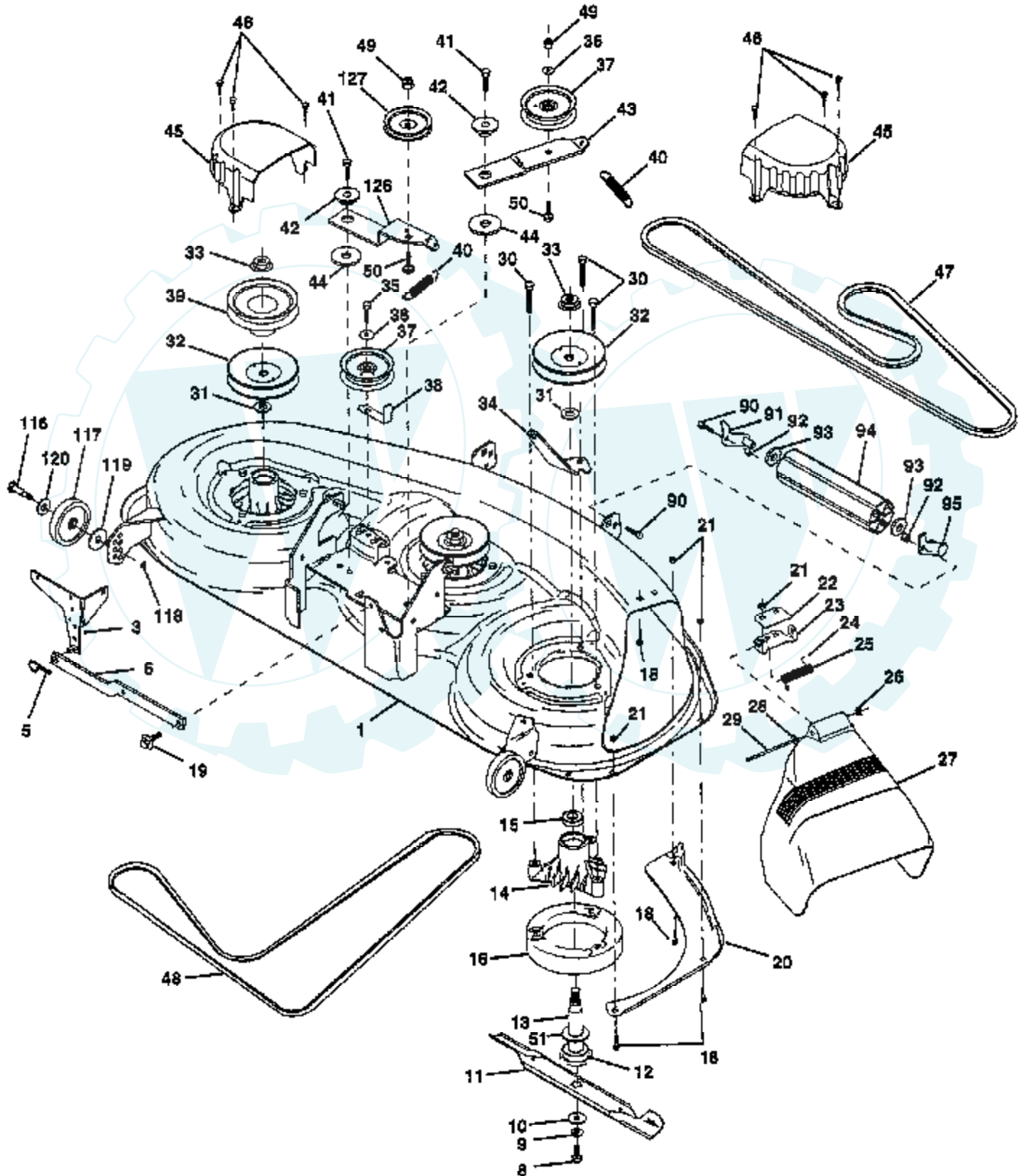
## ENGINE



Ref #	Part Number	Qty	Description
1	141295		CONTROL THRT 35.5
2	17720410		SCREW LT
3			REFER TO IMAGE
4	149723		MUFFLER.TW.LOTONE
5	144069		EXHAUST.B&S.18.LH
6	144068		EXHAUST.B&S.18.RH
7	138129		CLAMP.TUBE.DBL.EN
8	150176		BOLT.5/16-18.UNC
10	145552		SHIELD.HEAT.
11	10040400		LOCKWASHER
12	74780412		SUB= 74780414
13	272250		GASKET MUFFLER
14	13280336		PIPE NIPPLE LT
15	13200300		ELBOW
16	11050600		LOCKWASHER
17	17490624		SCREW LT
23	150554		SUB= 157405
25	145996		CONTROL.CHOKE.37
26	73920600		"NUT,KEPS 3/8-24IM"
27	152927		"SCREW-TT,10-32 FL"
29	137180		SUB= 532137180
31	140280		SUB= 161911
32	140527		CAP ASM FUEL
33	123487X		HOSE CLAMP
34	106082X		PAD-SPACER LT
35	17490512		SCREW
37	137040		LINE FUEL
38			CHECK WITH SUPPLIER
40	124028X		SUB= 532124028
44	17490412		SCREW HEX CRT
46	19091416		WASHER
81	128861		NUT

### TRACTOR - MODEL NUMBER Y1846A

### MOWER



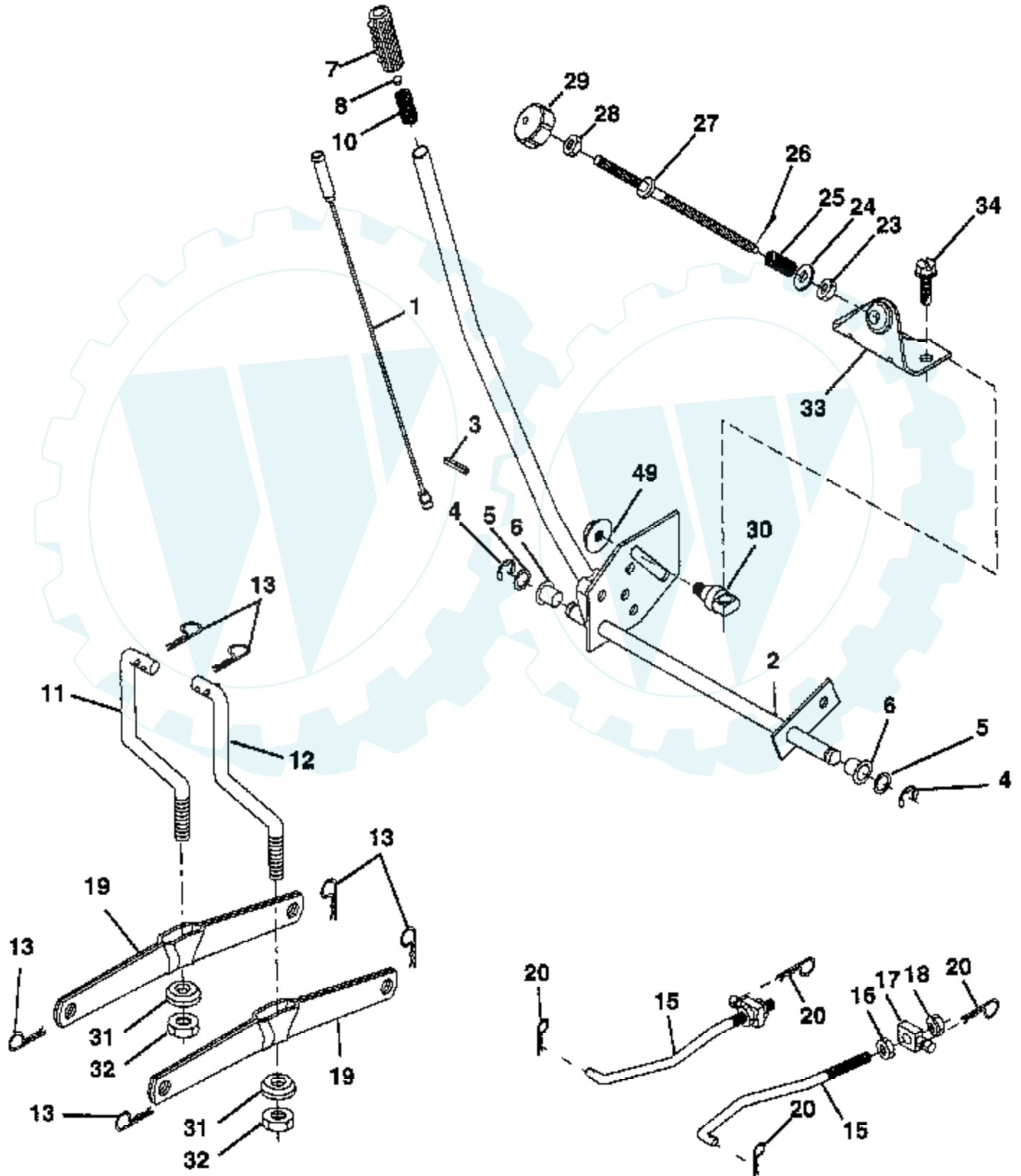
Ref #	Part Number	Qty	Description
1	153125		HOUSING MOWER
3	138457		BRKT.ASM.SW.44/50
5	124670		SUB= 85902
6	130832		SUB= 130833
8	850857		BLADE BOLT
9	10030600		SUB= 10040600
10	140296		WASHER.HARD.BLADE
11	144767		SUB= 157033
12	129895		BEARING.BALL
13	137553		SHAFT.ASM.W/BRNG
14	137152		HOUSING.MAND.44.V
15	110485X		BEARING
16	140329		STRIPPER RND MWR
18	72140505		BOLT
19	132827		BOLT SHD 5/16-18
20	145055		BAFFLE.VORTEX.46
21	73680500		SUB= 73690500
22	134753		STIFFENER BRKT
23	131267		DEFLECTOR BRKT
24	105304X		CAP-SLEEVE LT
25	123713X		SPRING TORSION
26	110452X		NUT PUSH M
27	145325		SUB= 157788
28	19111016		WASHER
29	131491		HINGE ROD
30	138776		SUB= 157722
31			REFER TO IMAGE
32	153531		PULLEY.MAND.36/46
33	137266		SUB= 139729
34	144945		ANCHOR.SPRING.46
35	17490628		SCREW LT
36	19131316		WASHER
37	131494		FLAT IDLER PULLEY
38	137554		SUB= 918137554
39	144917		PULLEY.DRV.DCK.46
40	137273		"SPRING.SEC.44""VEN"
41	17490620		SCREW
42	122052X		SPACER RETAINER
43	144949		ARM.IDLER.DECK.46
44	133943		HARDENED WASHER
45	145059		COVER.MANDREL.46
46	137729		SCREW.1/4-20X5/8
47	144959		BELT-V.SEC.46.KEL
48	148763		BELT.MWR.PRM.85.4
49	73680600		SUB= 73690600
50	72110612		BOLT.3/8-16X1.50
51	153390		WASHER.FELT.
90	74760616		BOLT
91	132274		SUB= 532132274
92	73800600		NUT
93	19171416		WASHER
94	132264		SUB= 532132264
95	132273		SUB= 532132273
116	4898H		BOLT M
117	105455X		WHEEL.GAGE.BLK.PL
118	73930600		LOCKNUT
119	19121414		WASHER
120	19171512		WASHER

Ref #	Part Number	Qty	Description
126	144948		ARM.IDLER.PRIM.46
127	146763		PULLEY.IDLER.4.25
	143651		MANDREL SERV ASM
	151777		SUB= 150539



### TRACTOR -- MODEL NUMBER Y1846A

### MOWER LIFT ASSEMBLY

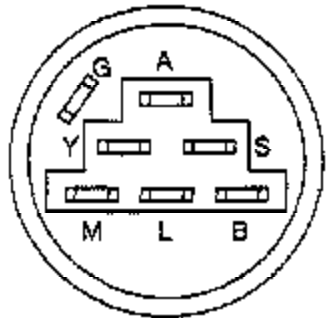
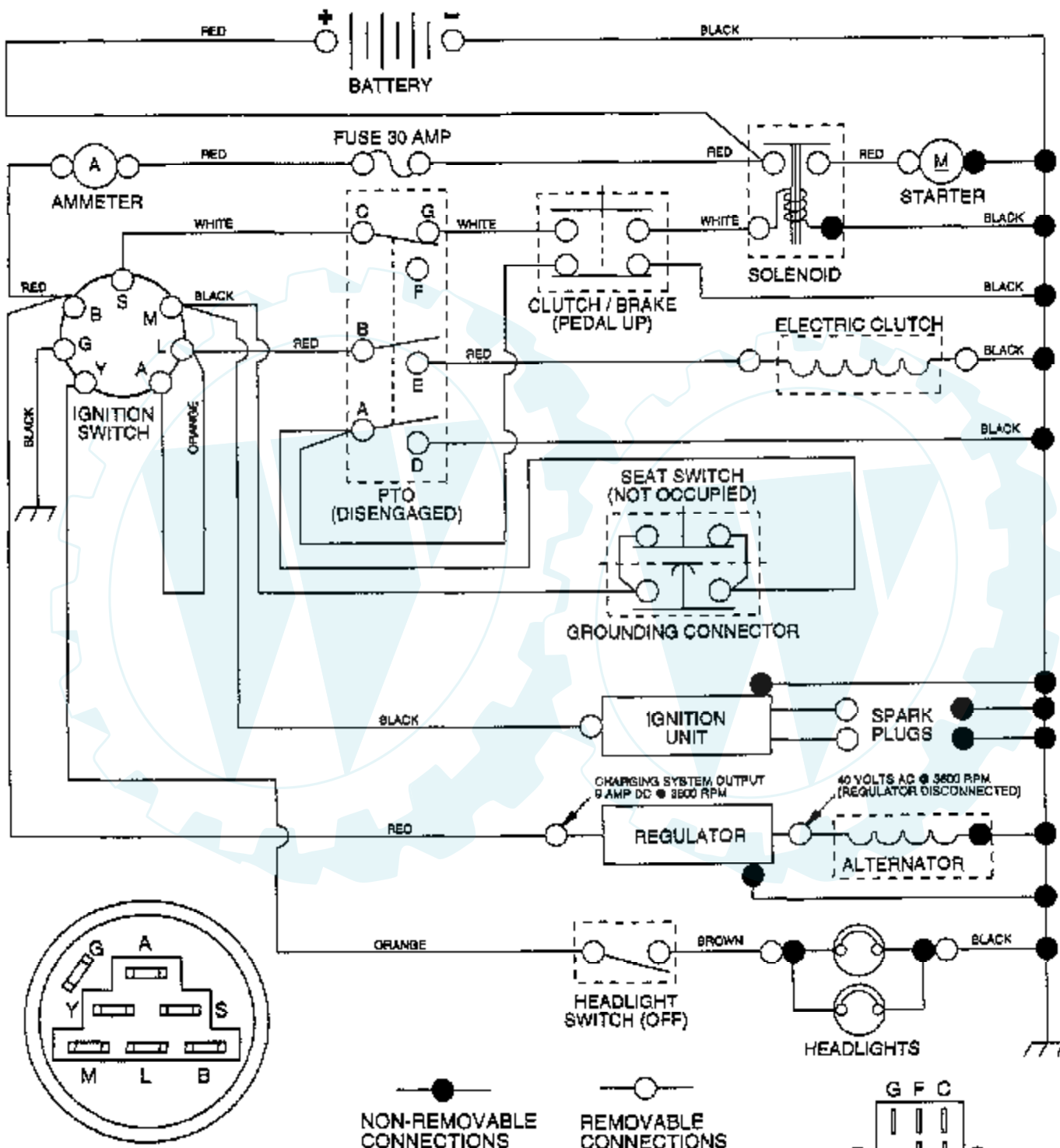


Ref #	Part Number	Qty	Description
1	136973		WIRE ASM
2	140278		HANDLE.LIFT.LH.
3	138284		PIN GROOVE
4	12000002		SUB= 2225J
5	19211621		WASHER
6	120183X		NYLON BEARING
7	109413X		GRIP
8	124526X		SUB= 125925X
10	122512X		SUB= 532122512
11	139865		SUB= 918139865
12	139866		SUB= 151140
13	4939M		SUB= 85902
15	127218X		LINK FRONT
16	73350800		NUT
17	130171		TRUNION
18	73800800		NUT.LK.W/WSH.1/2.
19	139868		ARM SUSP REAR
20	3146R		RETAINER.SPRING
23	110807X		NUT T
24	19131016		WASHER
25	2876H		SPRING T
26	76020308		SUB= 3145
27	126971X		SUB= 532126971
28	873350600		NUT HEX JAM 3/8-16 UNC
29	532138057		SUB= 138057
30	150233		TRUNNION
31	140302		BEARING PVT LH
32	73540600		NUT.CROWNLOCK.3/8
33	140168		BRACKET STOP INF
34	17490608		SCREW LT



### TRACTOR - MODEL NUMBER Y1846A

#### SCHEMATIC



**IGNITION SWITCH**

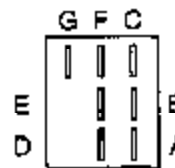
POSITION	CIRCUIT	"MAKE"
OFF	G + M + L	NONE
RUN/LIGHT	B + L	A + Y
RUN	B + L	NONE
START	B + L + S	NONE

● NON-REMOVABLE CONNECTIONS

○ REMOVABLE CONNECTIONS

**WIRING INSULATED CLIPS**

**NOTE:** IF WIRING INSULATED CLIPS WERE REMOVED FOR SERVICING OF UNIT, THEY SHOULD BE REPLACED TO PROPERLY SECURE YOUR WIRING

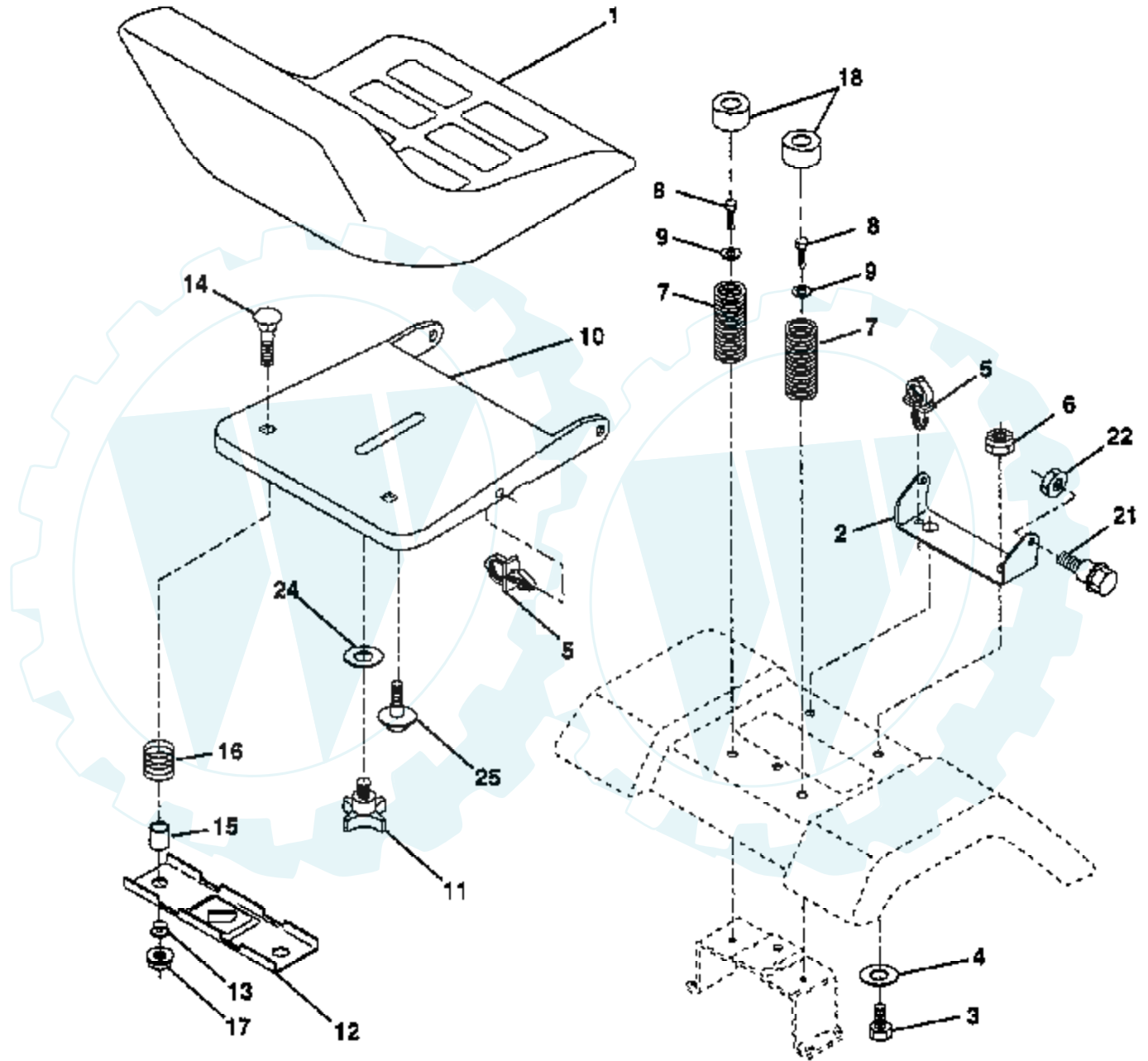


**PTO SWITCH**

POSITION	CIRCUIT
OFF	C + G
ON	C + F, B + E, A + D

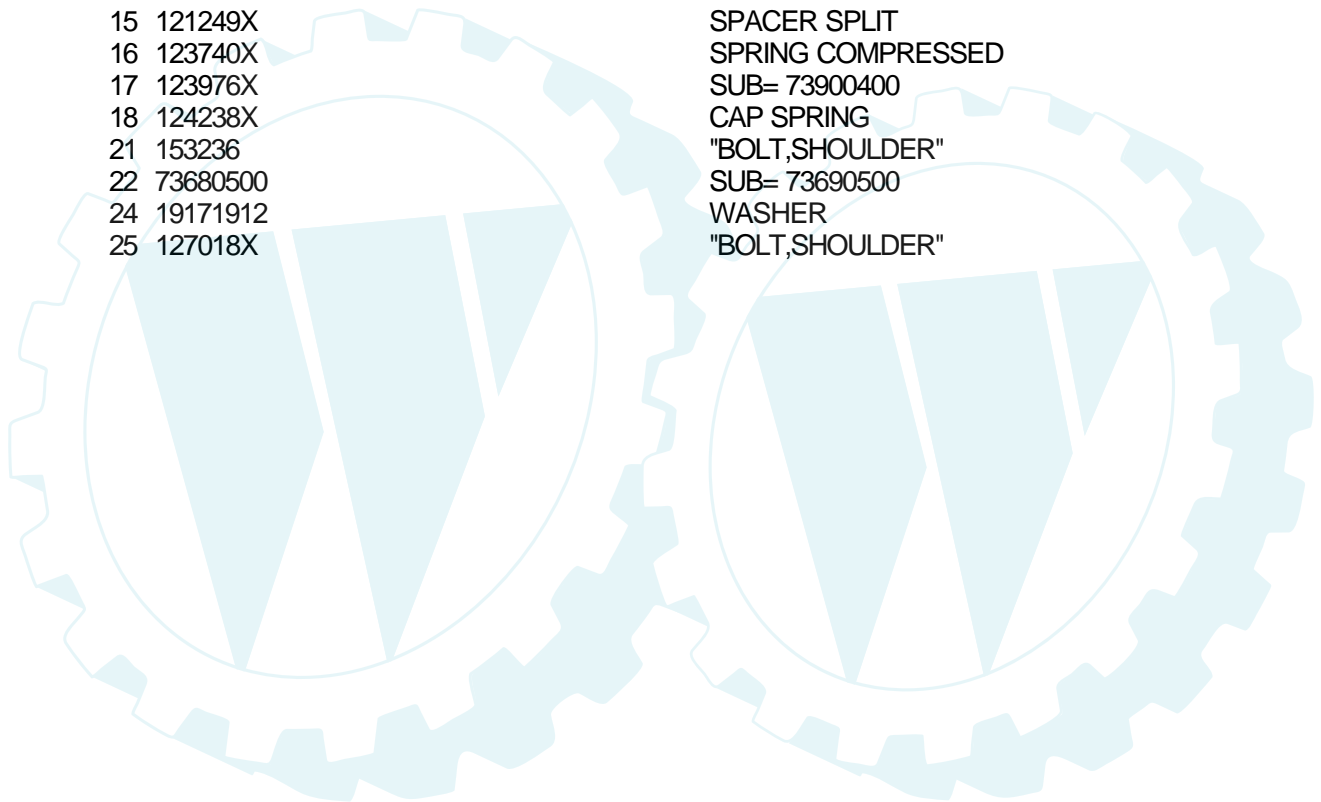
## TRACTOR - - MODEL NUMBER Y1846A

### SEAT ASSEMBLY

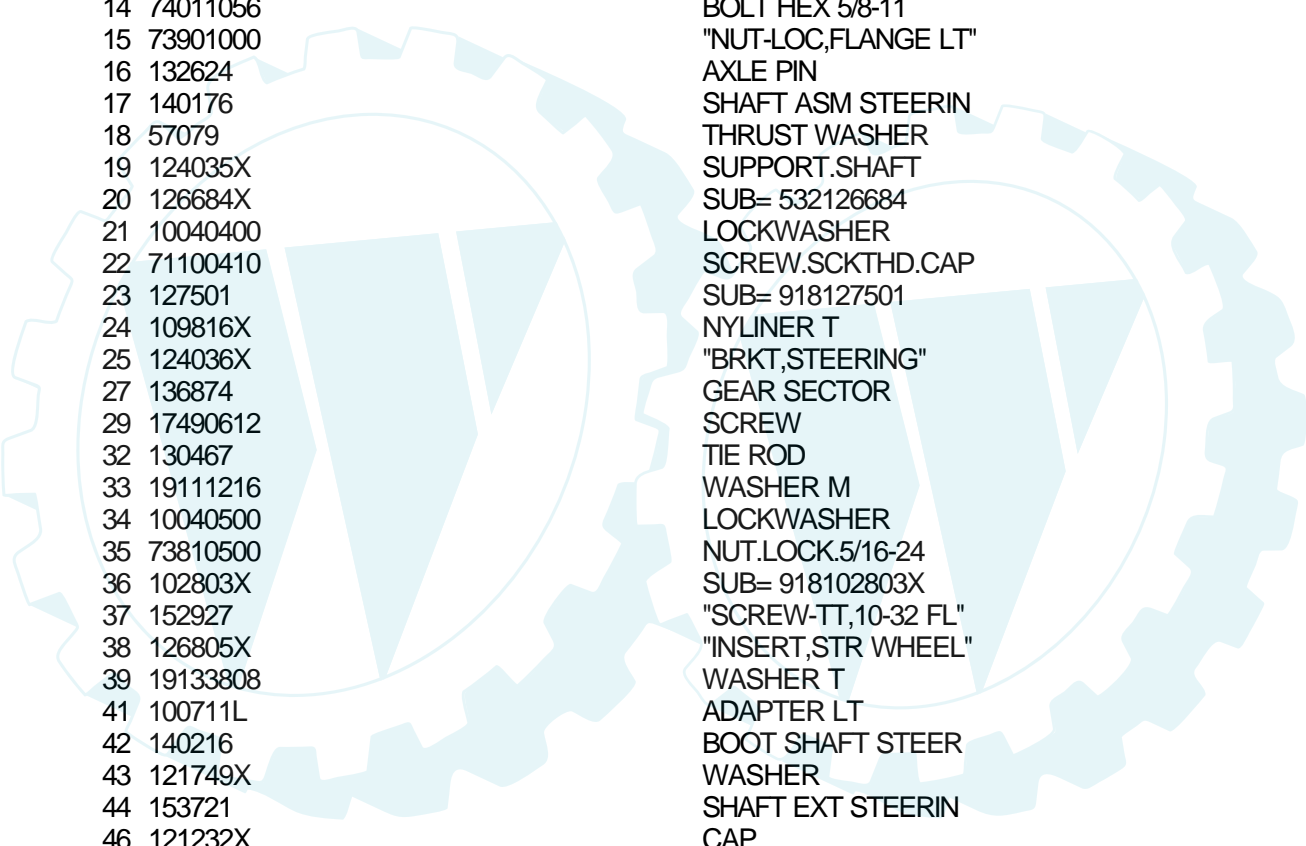


**NOTE:** All component dimensions given in U S inches  
1 inch = 25.4 mm

Ref #	Part Number	Qty	Description
1	127429X		SUB= 140121
2	140551		BRACKET PVT SEAT
3	74760616		BOLT
4	19131610		WASHER PM
5	145006		CLIP.PUSH-IN.HING
6	73680600		SUB= 73690600
7	124181X		SPRING COMPRESSIO
8	17490616		SCREW GTV
9	19131614		WASHER
10	140552		SUB= 155925
11	120068X		"KNOB 1/2" YT"
12	121246X		BRKT SWITCH
13	121248X		BUSHING
14	72050411		SUB= 872050411
15	121249X		SPACER SPLIT
16	123740X		SPRING COMPRESSED
17	123976X		SUB= 73900400
18	124238X		CAP SPRING
21	153236		"BOLT,SHOULDER"
22	73680500		SUB= 73690500
24	19171912		WASHER
25	127018X		"BOLT,SHOULDER"

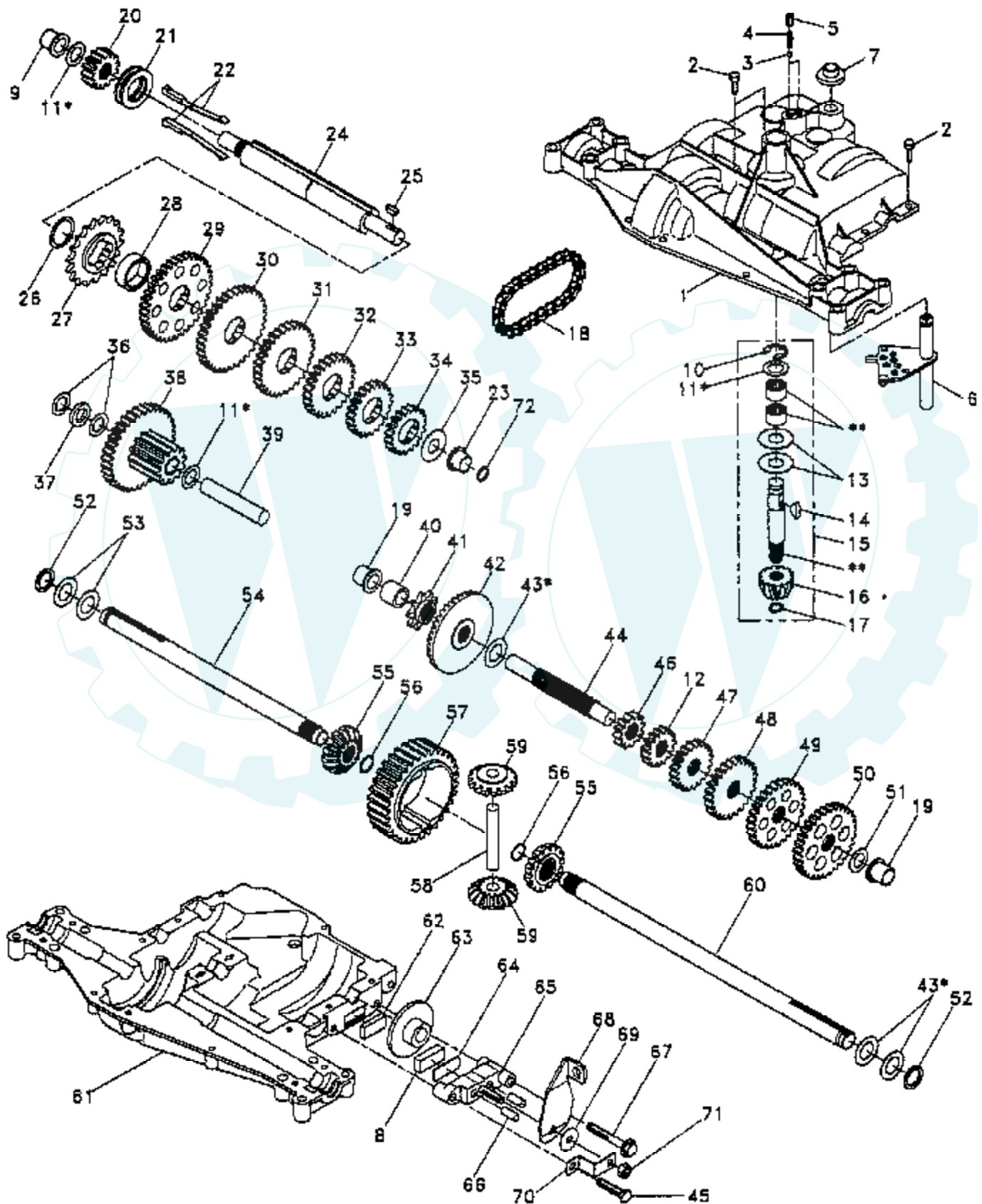






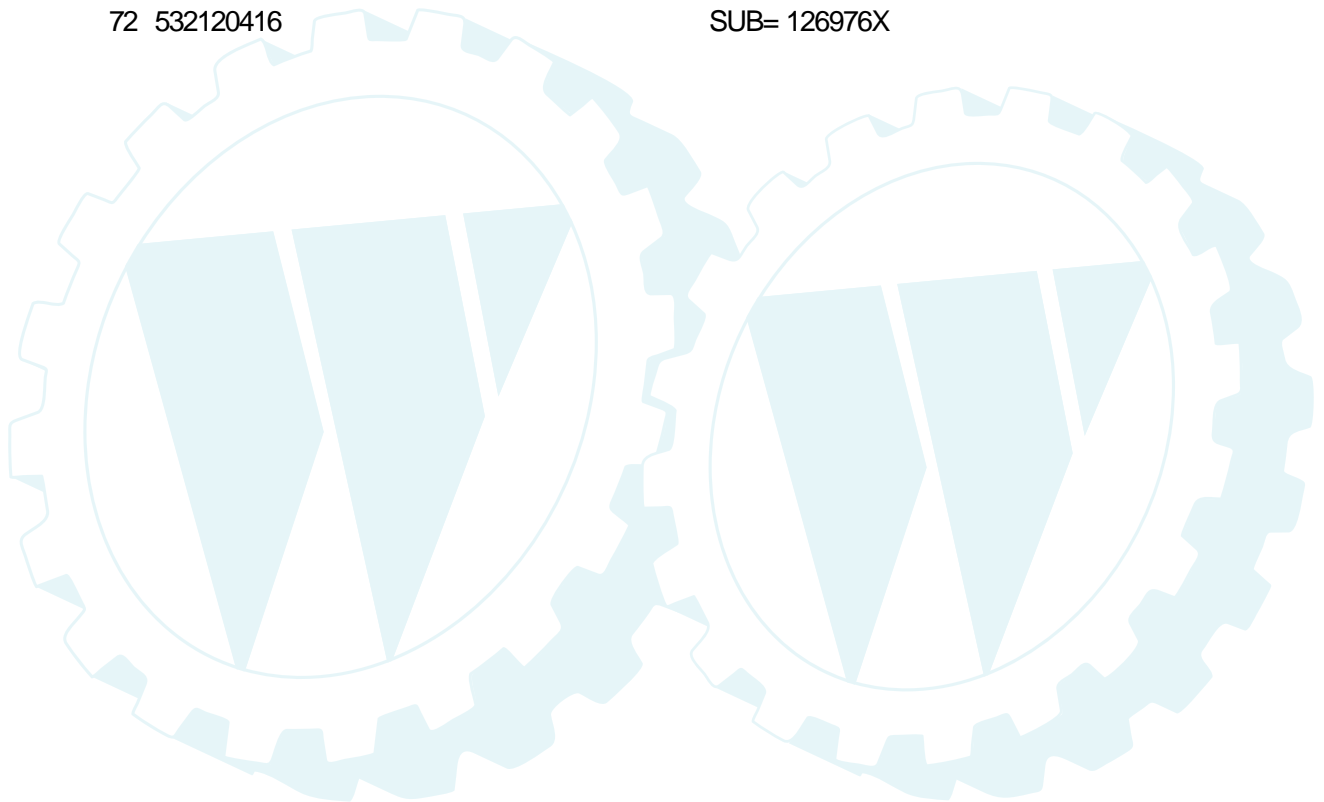
Ref #	Part Number	Qty	Description
1	121472X		SUB= 150546
2	142033		AXLE ASM FRONT
3	135227		SPINDLE LH
4	135228		SPINDLE RH
5	6266H		WASHER .T
6	121748		SUB= 121748X
7	19272016		WASHER
8	12000029		RING
9	3366R		COL. SRTG. BEAR.
10	130468		SUB= 532130468
11	10040600		LOCKWASHER
12	73610600		SUB= 7810H
13	110438X		BEARING
14	74011056		BOLT HEX 5/8-11
15	73901000		"NUT-LOC,FLANGE LT"
16	132624		AXLE PIN
17	140176		SHAFT ASM STEERIN
18	57079		THRUST WASHER
19	124035X		SUPPORT.SHAFT
20	126684X		SUB= 532126684
21	10040400		LOCKWASHER
22	71100410		SCREW.SCKTHD.CAP
23	127501		SUB= 918127501
24	109816X		NYLINER T
25	124036X		"BRKT,STEERING"
27	136874		GEAR SECTOR
29	17490612		SCREW
32	130467		TIE ROD
33	19111216		WASHER M
34	10040500		LOCKWASHER
35	73810500		NUT.LOCK.5/16-24
36	102803X		SUB= 918102803X
37	152927		"SCREW-TT,10-32 FL"
38	126805X		"INSERT,STR WHEEL"
39	19133808		WASHER T
41	100711L		ADAPTER LT
42	140216		BOOT SHAFT STEER
43	121749X		WASHER
44	153721		SHAFT EXT STEERIN
46	121232X		CAP
47	6855M		ZERK M
50	17490412		SCREW HEX CRT
51	73800500		NUT
54	74780520		BOLT
55	140285		CLIP TINNEMAN
57	140172		SUPPORT SHAFT STR
62	149686		SUB= 918149686
63	74780616		BOLT

### TRACTOR - MODEL NUMBER Y1846A DANA TRANSAXLE - - MODEL NUMBER 4360-96



Ref #	Part Number	Qty	Description
1	532132671		SUB= 132671
2	532002274		SUB= 74760412
3	532134400		SUB= 68003
4	532105904		SUB= 105904X
5	532105905		SUB= 105905X
6	532138235		SUB= 138235
7	532134399		SUB= 134399
8	532120951		SUB= 120951X
9	532148266		SUB= 148266
10	532002225		RING, RETAINING
11	532134793		SUB= 134793
12	532143679		SUB= 143679
13	532120415		SUB= 120415X
14	532142674		SUB= 142674
15	532106846		SUB= 106846X
16	532106095		SUB= 106095X
17	532105909		SUB= 105909X
18	532105910		SUB= 105910X
19	532105911		SUB= 105911X
20	532142675		SUB= 142675
21	532148267		SUB= 148267
22	532138237		SUB= 138237
23	532148268		SUB= 148268
24	532142676		SUB= 142676
25	532002244		SUB= 2244J
26	532105916		SUB= 105916X
27	532120470		SUB= 120470X
28	532110070		SUB= 110070X
29	532142677		SUB= 142677
30	532142681		SUB= 142681
31	532124644		SUB= 124644X
32	532108980		SUB= 108980X
33	532120406		SUB= 120406X
34	532134796		SUB= 134796
35	532105925		SUB= 105925X
36	532002232		SUB= 2232J
37	532108978		SUB= 108978X
38	532110079		SUB= 110079X
39	532124639		SUB= 124639X
40	532120472		SUB= 120472X
41	532105928		SUB= 105928X
42	532106605		SUB= 106605X
43	532134394		SUB= 134394
44	532120473		SUB= 120473X
45	532106596		SUB= 106596X
46	532142678		SUB= 142678
47	532120407		SUB= 124641X
48	532106589		SUB= 106589X
49	532120408		SUB= 120408X
50	532105937		SUB= 105937X
51	532002226		SUB= 2226J
52	532134401		SUB= 134401
53	532002264		SUB= 2264J
54	532120474		SUB= 154658
55	532110081		SUB= 110081X
56	532105941		SUB= 105941X
57	532110071		SUB= 120478X
58	532120952		SUB= 120952X

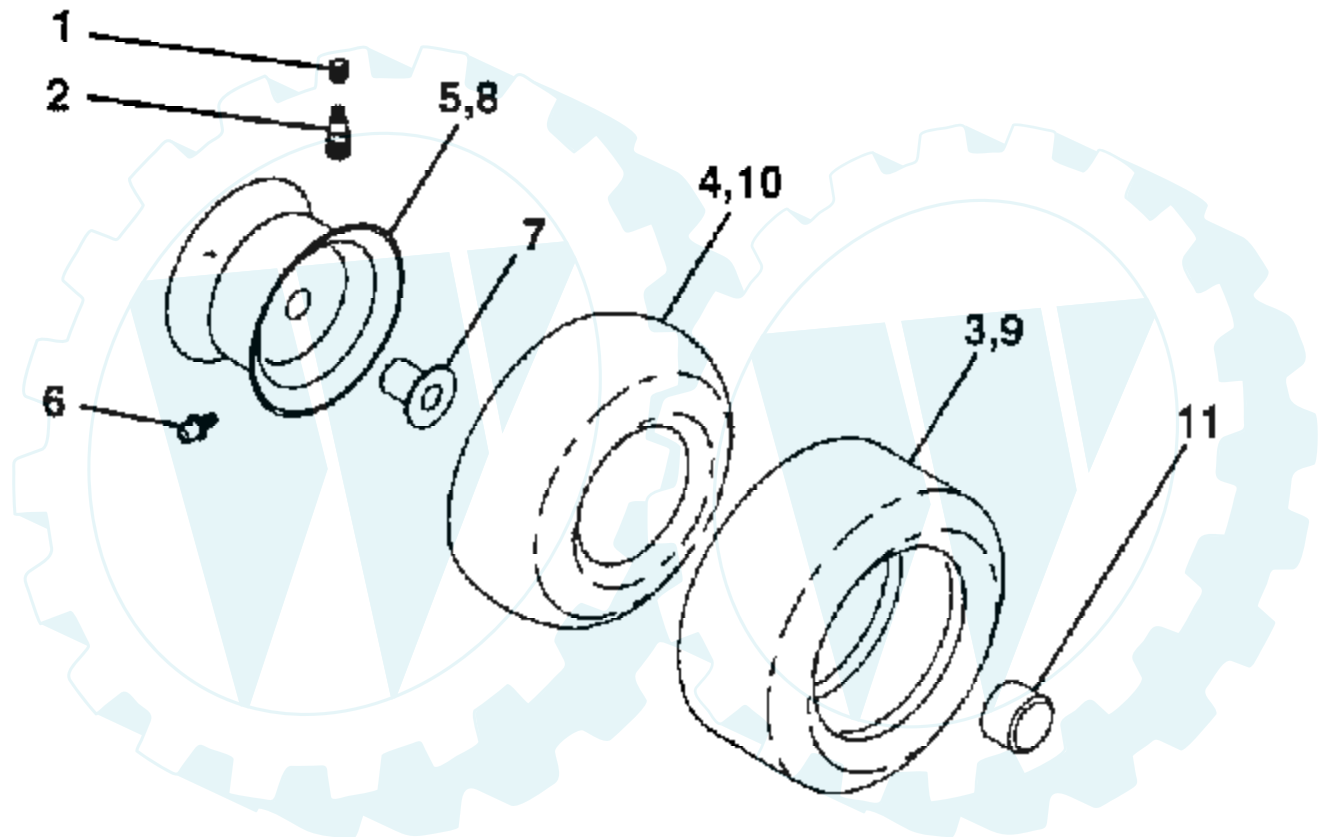
Ref #	Part Number	Qty	Description
59	532110082		SUB= 110082X
60	532120475		SUB= 154659
61	532142680		SUB= 142680
62	532120961		SUB= 120961X
63	532007294		SUB= 7294J
64	532108989		SUB= 108989X
65	532120953		SUB= 120953X
66	532120954		SUB= 120954X
67	532134799		SUB= 134799
68	532138244		SUB= 108992X
69	532108996		SUB= 108996X
70	532120956		SUB= 120956X
71	873810500		LOCKNUT 5/16-24
72	532148269		SUB= 148269
72	532120416		SUB= 126976X





# TRACTOR - - MODEL NUMBER Y1846A

## WHEELS & TIRES



**NOTE:** All component dimensions given in U S. inches  
1 inch = 25 4 mm

Ref #	Part Number	Qty	Description
1	59192		VALVE CAP
2	65139		VALVE STEM LT
3	106222X		SUB= 122073X
4	59904		TUBE.5.3/4.5/6
5	106732X427		"RIM ASM 6"" FRT"
6	278H		FITTING LT
7	9040H		"FLANGE, BEARING"
8	106108X427		"RIM AS 8"" REAR"
9	138468		TIRE.20X8-8
10	7152J		TUBE.18X9.5-8
11	104757X		HUB CAP
	144334		SEALANT.TIRE 10 OZ. TUBE

