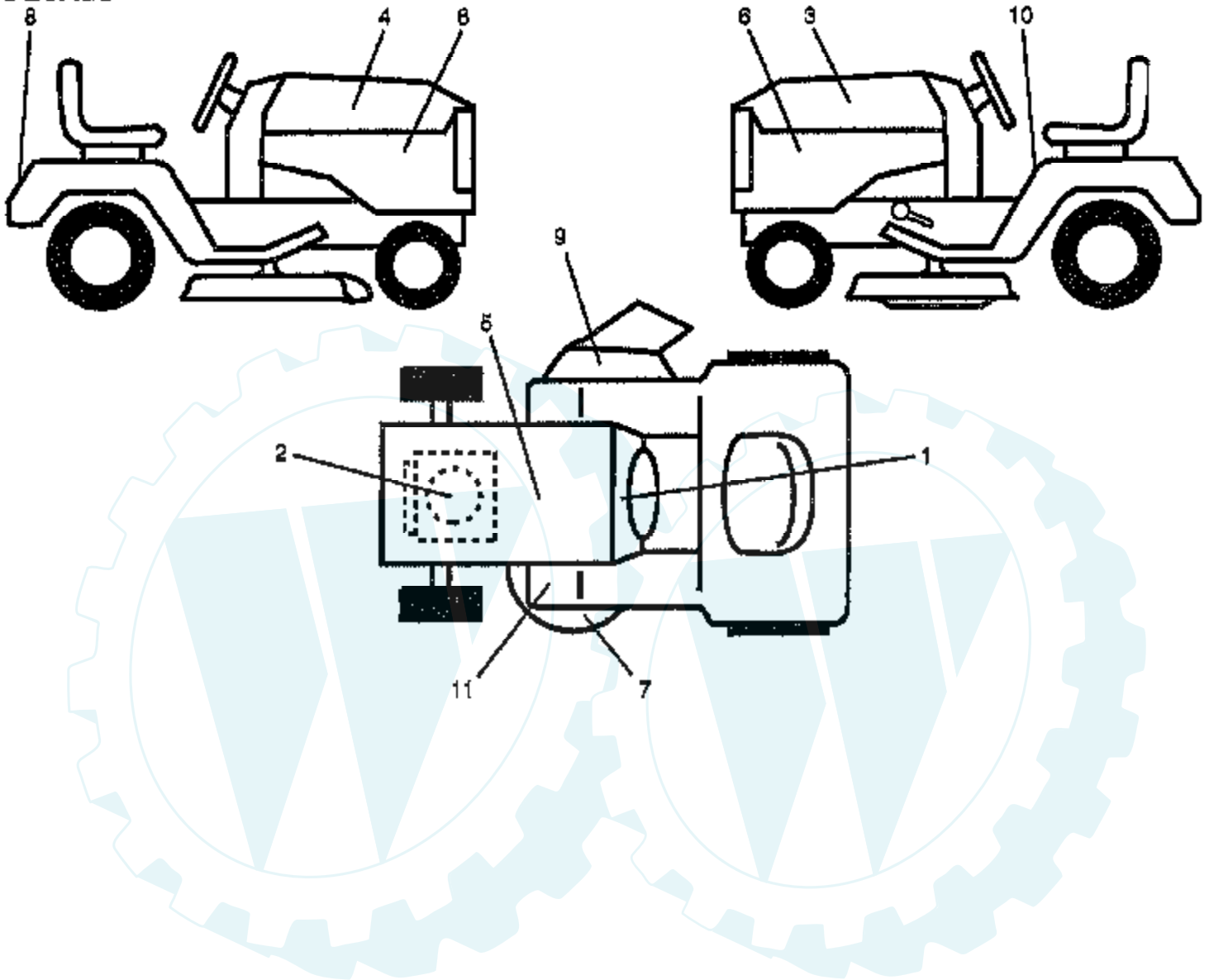
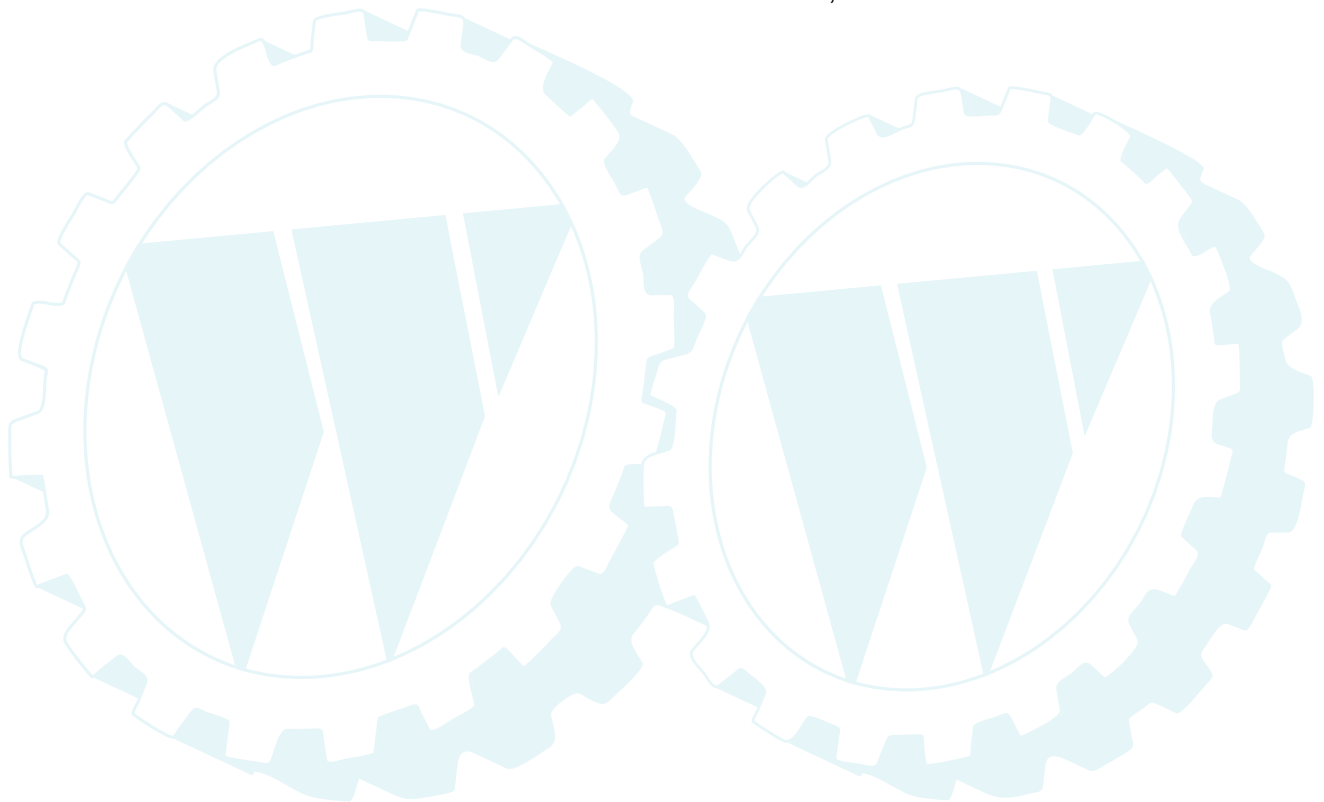


18 HP 44' TRACTOR -- MODEL NUMBER Y1844B

DECALS

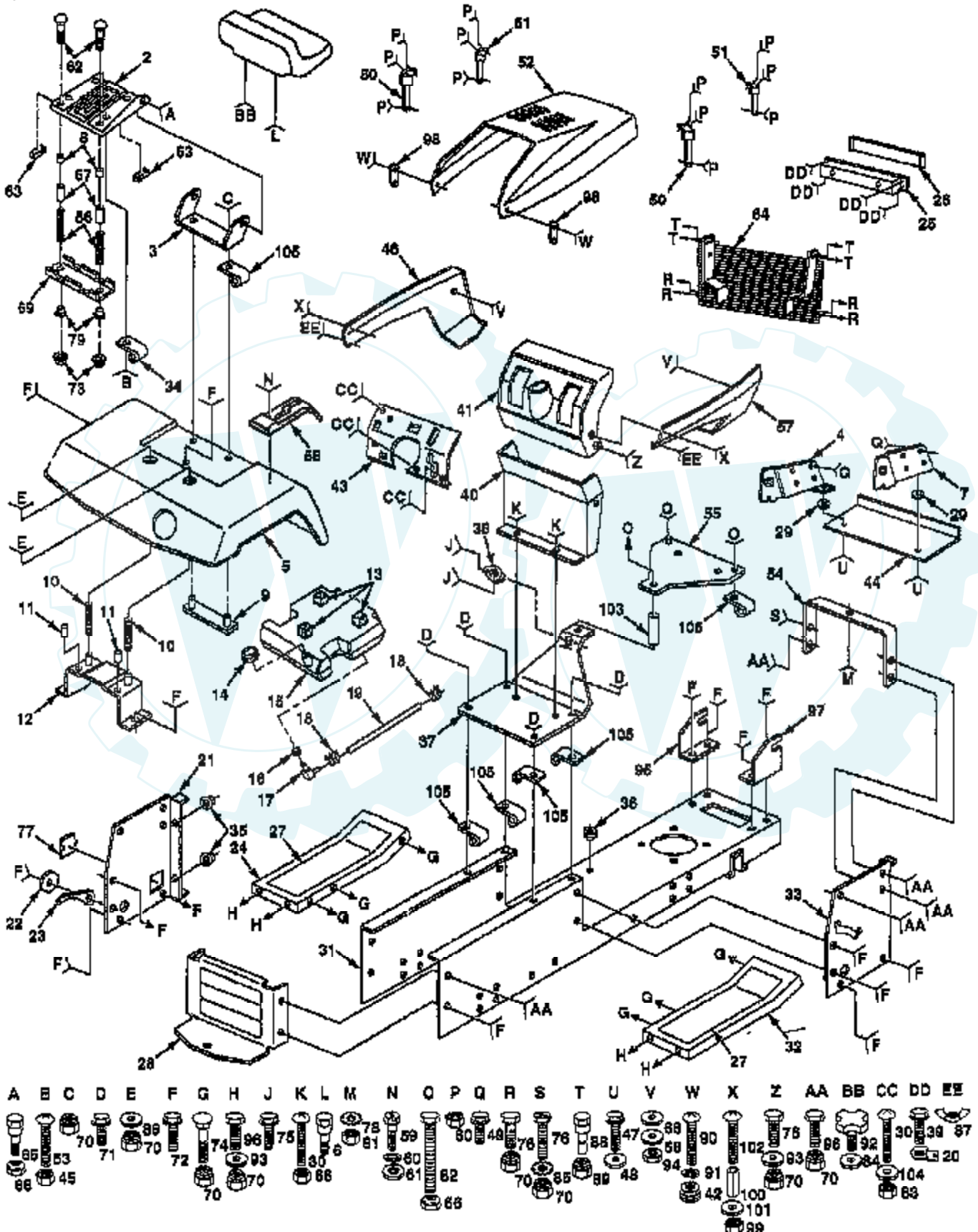


Ref #	Part Number	Qty	Description
1	109821X		REFER TO IMAGE
2	132507		SUB= 138956
3	123965X		"DECAL,HP ENGINE"
4	123966X		DECAL HOOD LH
5	121549X		NLA
6	136432		DECAL
7	105185X		DECAL, SIDE PANEL
8	123964X		DECAL-INST YT
9	121349X		NLA
10	133795		DECAL WARNING
11	136548		DECAL CAUTION
	101892X		DECAL T
	136548		NLA
	136549		"MANUAL,FRE"



18 HP 44" TRACTOR -- MODEL NUMBER Y1844B

CHASSIS AND ENCLOSURES

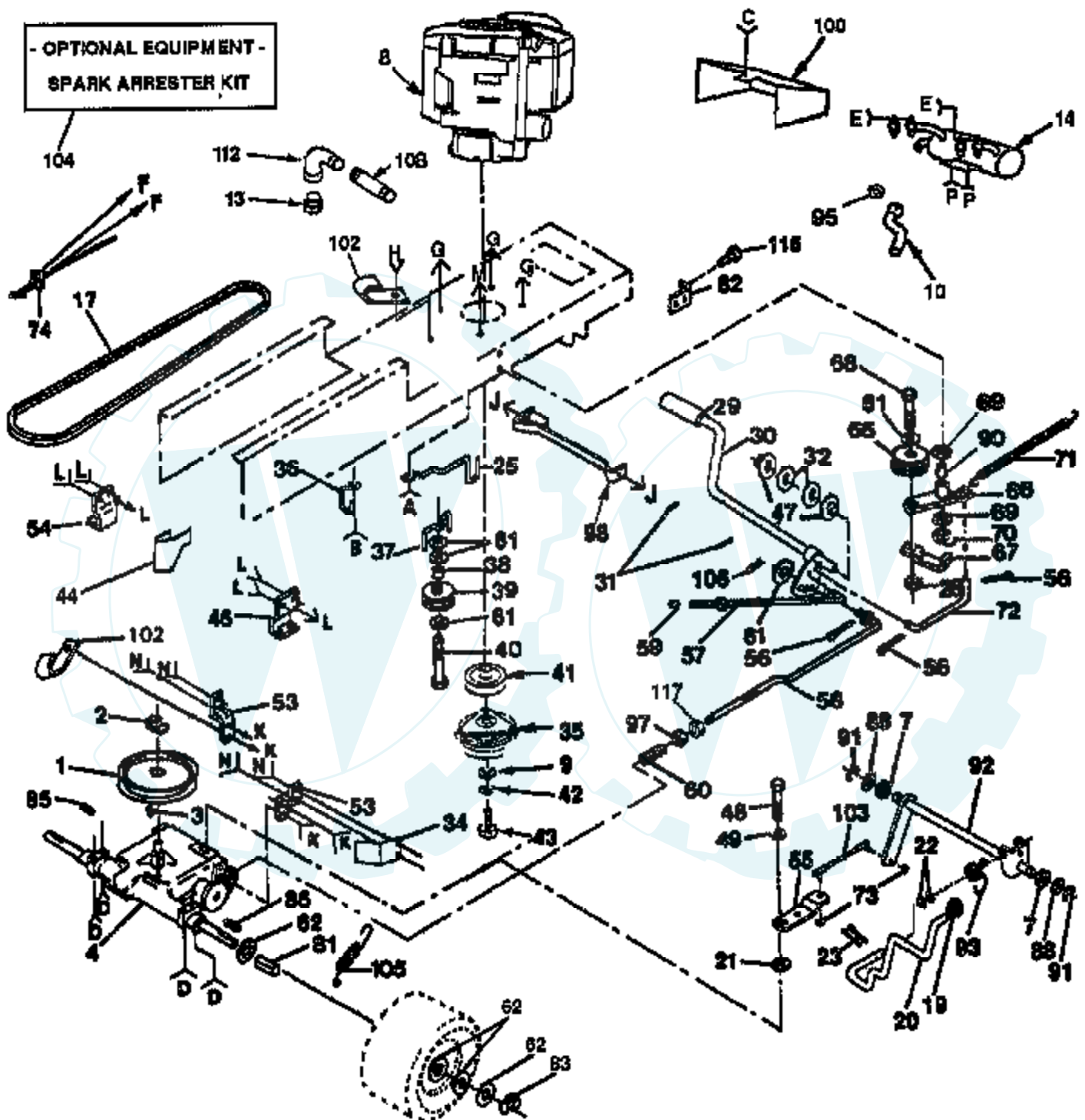


Ref #	Part Number	Qty	Description
1	127429X		SUB= 140121
2	131451		SUB= 155925
3	126656X		SUB= 140551
4	110855X		SUPPORT LH YTH
5	123784X505		FENDER
6	127018X		"BOLT,SHOULDER"
7	110854X		SUPPORT RH YTH
8	124238X		CAP SPRING
9	105511X		SUB= 140675
10	124181X		SPRING COMPRESSIO
11	105531X		NUT-PUSH YT
12	105509X		SUB= 137113
13	106082X		PAD-SPACER LT
14	123549X		SUB= 158990
15	106020X		SUB= 151346
16	3645J		BUSHING OUTLET T
17	8710J		FUEL TANK STEM GT
18	123487X		HOSE CLAMP
19	8543R		FUEL LINE T
20	104755X		""J"" FASTENER LT"
21	124118X		PANEL DASH LH
22	120529X		WASHER T
23	123933X394		SUB= 123933X505
24	105465X505		SUB= 145244X505
25	124392X417		SUB= 147717
26	106395X		LENS LT
27	133671		FOOTREST PAD
28	123785X		DRAW BAR
29	19111212		WASHER
30	74180512		SCREW
31	127166X		CHASSIS
32	105464X505		SUB= 145243X505
33	133748		DASH PANEL RH
34	4171R		CLIP T
35	110436X		SUB= 9151R
36	9151R		SNAP BUSHING T
37	123783X013		SADDLE
38	1551J		BUSHING STEERING
39	17211010		SCREW LT
40	104805X		LOWER DASH
41	124252X		SUB= 140398
42	2029J		WELDNUT
43	121444X015		DASHPLATE
44	105419X505		GRILL STRAP
45	73951000		"NUT,KEPS"
46	132638X505		SUB= 150302X505
47	17190412		SCREW
48	19091016		WASHER
49	17490512		SCREW
50	106784X		SUB= 155013
51	104618X		SUB= 155013
52	132635X505		SUB= 150301X505
53	74641008		SUB= 71031008
54	124130X		SUPPORT ASS'Y
55	106965X		SUB= 140181
56	123740X		SPRING COMPRESSED
57	132639X505		"PANEL SIDE RH "
58	123825X		CONSOLE SHIFTER

Ref #	Part Number	Qty	Description
59	74640806		SCREW
60	10100800		"WASHER,LOCK"
61	19060718		WASHER
62	72050411		SUB= 872050411
63	121251X		STRIP FORM
64	122100X		GRILL ASSY
65	105529X		SUB= 139888
66	73680500		SUB= 73690500
67	121249X		SPACER SPLIT
68	19091216		WASHER PM
69	121246X		BRKT SWITCH
70	73680600		SUB= 73690600
71	17490608		SCREW LT
72	17490612		SCREW
73	123976X		SUB= 73900400
74	72110606		BOLT
75	17431008		SUB= 98000165
76	74760616		BOLT
77	121794X		COVER ACCESS
78	11050400		LOCKWASHER
79	121248X		BUSHING
80	73510400		NUT
81	73220400		SUB= 50675
82	74760532		BOLT
83	73510500		NUT
84	19171912		WASHER
85	11050600		LOCKWASHER
86	19131614		WASHER
87	123198X		SUB= 146525
88	123481X		SUB= 7605J
89	73680400		SUB= 73690400
90	74191008		SCREW
91	10071000		LOCKWASHER
92	120068X		"KNOB 1/2" YT"
93	19131312		WASHER
94	73220400		SUB= 50675
95	110852X		SUPPORT LH YTH
96	74760612		SUB= 74780612
97	110853X		SUPPORT RH YTH
98	109808X		HOOD LATCH T
99	73731000		NUT
100	7206J		SPACER LT
101	19070818		WASHER
102	74981020		SCREW
103	121236X		SPACER
104	19111116		WASHER
105	2751R		CLIP T

18 HP 44" TRACTOR -- MODEL NUMBER Y1844B

DRIVE



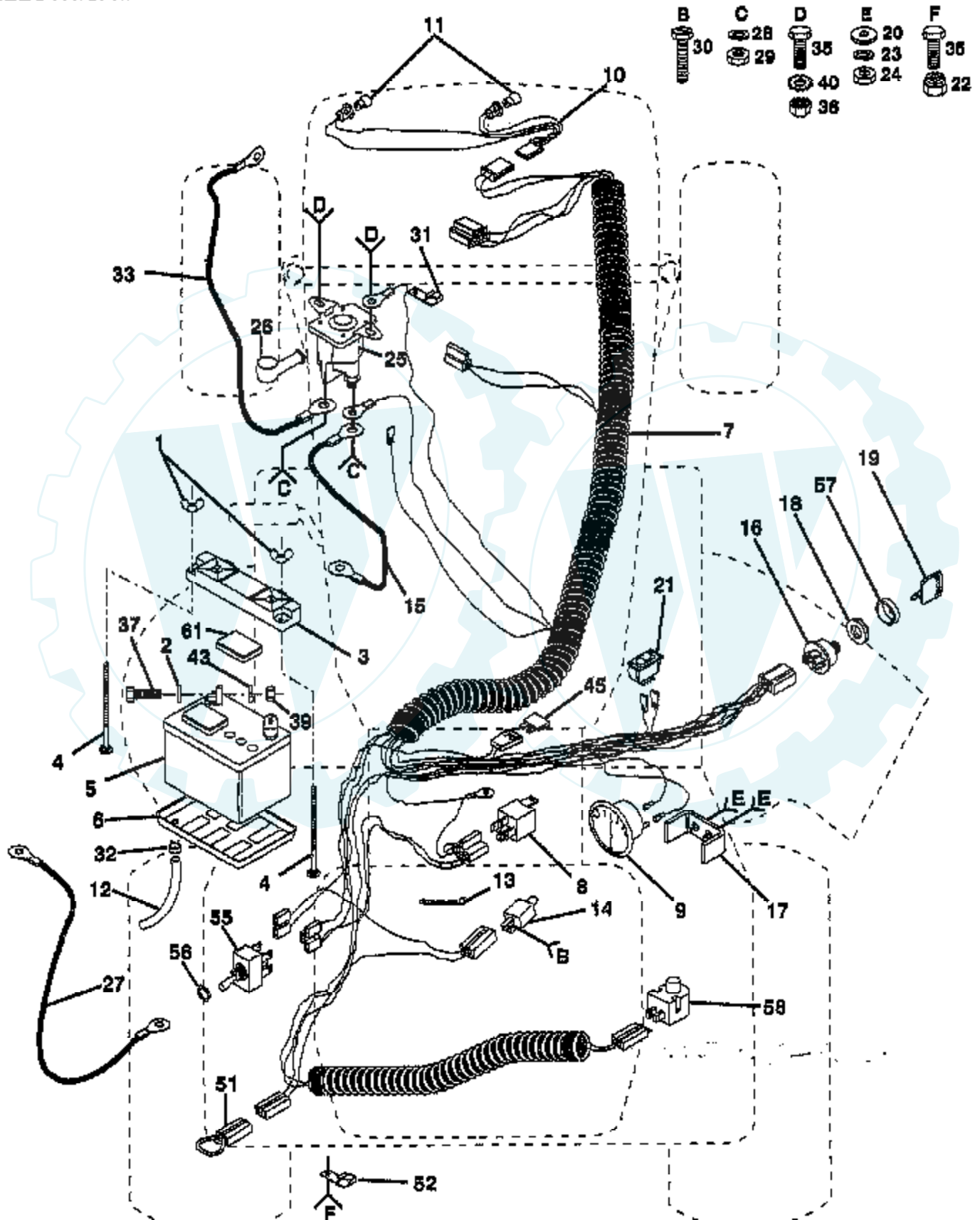
- | | | | | | | | | | | | | | |
|----|----|-----|----|----|----|----|----|----|-----|----|----|-----|----|
| A | B | C | D | E | F | G | H | J | K | L | M | N | P |
| 26 | 24 | 114 | 52 | 15 | 75 | 87 | 28 | 5 | 101 | 89 | 67 | 24 | 11 |
| 27 | 61 | 113 | 8 | 96 | | | | 51 | 28 | 94 | | 110 | |
| 28 | | | 51 | | | | | | | | | | |

Ref #	Part Number	Qty	Description
1	121327X		PULLEY TRANSAXLE
2	12000004		RING
3	2228M		SUB= 2228M1
4	123797X		TRANSAXLE PEERLESS MODEL NO
5	72140506		BOLT
6	19111214		WASHER
7	71208		BUSHING
8			CHECK WITH SUPPLIER
9	126197		SUB= 126197X
10	128144		SUB= 532128144
11	74760410		BOLT
13			CHECK WITH SUPPLIER
14	125890X		MUFFLER
15	74570512		SCREW
17	123796X		BELT.GRDRV.94.75
19	121274X		KNOB.DUCKHEAD.1/2
20	123781X		SUB= 141002
21	105701X		WASH-SHFT PLT LT
22	19171216		WASHER
23	76020416		PIN COTTER 1/8
24	17490612		SCREW
25	129921		KEEPER.BELT.ENG.L
26	74760616		BOLT
27	19131312		WASHER
28	73680600		SUB= 73690600
29	8883R		PEDAL COVER T
30	122424X		SUB= 149001
31	1572H		SUB= 2882J
32	19211616		WASHER LT
34	123792X		"KEEPER,BELT RH"
35	126112X		SUB= 142600
36	123788X		RETAINER BELT
37	109070X		BELT KEEPER LT
38	4470J		SPACER T
39	123674X		PULLEY.IDLER.FLAT
40	74760644		BOLT
41	123795X		SUB= 136906
42	10040700		LOCKWASHER
43	71170768		SUB= 150280
44	123791X		KEEPER BELT LH
46	123776X		BRKT TRANS RH
47	120183X		NYLON BEARING
48	71040412		SUB= 74550412
49	19091216		WASHER PM
51	73680500		SUB= 73690500
52	74780544		BOLT HEX
53	123787X		STRAP TORQUE
54	123780X		BRKT TRANS LH
55	123794X		"ARM,SHIFT"
56	76020412		COTTER PIN
57	133261		BRAKE PARK ROD
58	123786X		ROD BRAKE
59	71673		PLUNGER CAP T
60	126909X		"SPRING,ROD BRAKE"
61	19131316		WASHER
62	123800X		WASHER
65	127783		SUB= 139245
66	123789X		ARM IDLER

Ref #	Part Number	Qty	Description
67	123205X		RETAIN BELT
68	74760624		SUB= 74930624
69	110812X		WASHER LT
70	12000039		KLIP RING
71	105709X		"SPRING, RETURN LT"
72	105710X		"LINK, CLUTCH T"
73	73530400		NUT 1/4-28
74	132748		SUB= 532132748
75	17720410		SCREW LT
81	108097X		SPACER HYT
82	108236X		BRACKET LT
83	12000053		E RING HYT
85	9396E		SQ KEY STD
87	17490624		SCREW LT
88	19212016		WASHER D
89	74760612		SUB= 74780612
90	105706X		"LY, BEARING"
91	12000008		KLIP RING
92	123772X		"SHAFT,SHIFTER"
93	123782X		"SPRING,TORSION"
94	11050600		LOCKWASHER
95	122758X		MUFFLER CLAMP
96	10040500		LOCKWASHER
97	73800600		NUT
98	109169X		SUB= 109172X
100	125891X		SUB= 532125891
101	17490512		SCREW
102	2751R		CLIP T
103	123793X		"ROD,TIE "
104	121851X		SUB= 532137180
105	110422X		SUB= 146682
106	4497H		RETAINER M
108	13280336		PIPE NIPPLE LT
110	10040400		LOCKWASHER
112	13200300		ELBOW
113	19060916		NLA
114	17030808		SUB= 17030814
116	17021008		SCREW
117	73350600		NUT

18 HP 44" TRACTOR -- MODEL NUMBER Y1844B

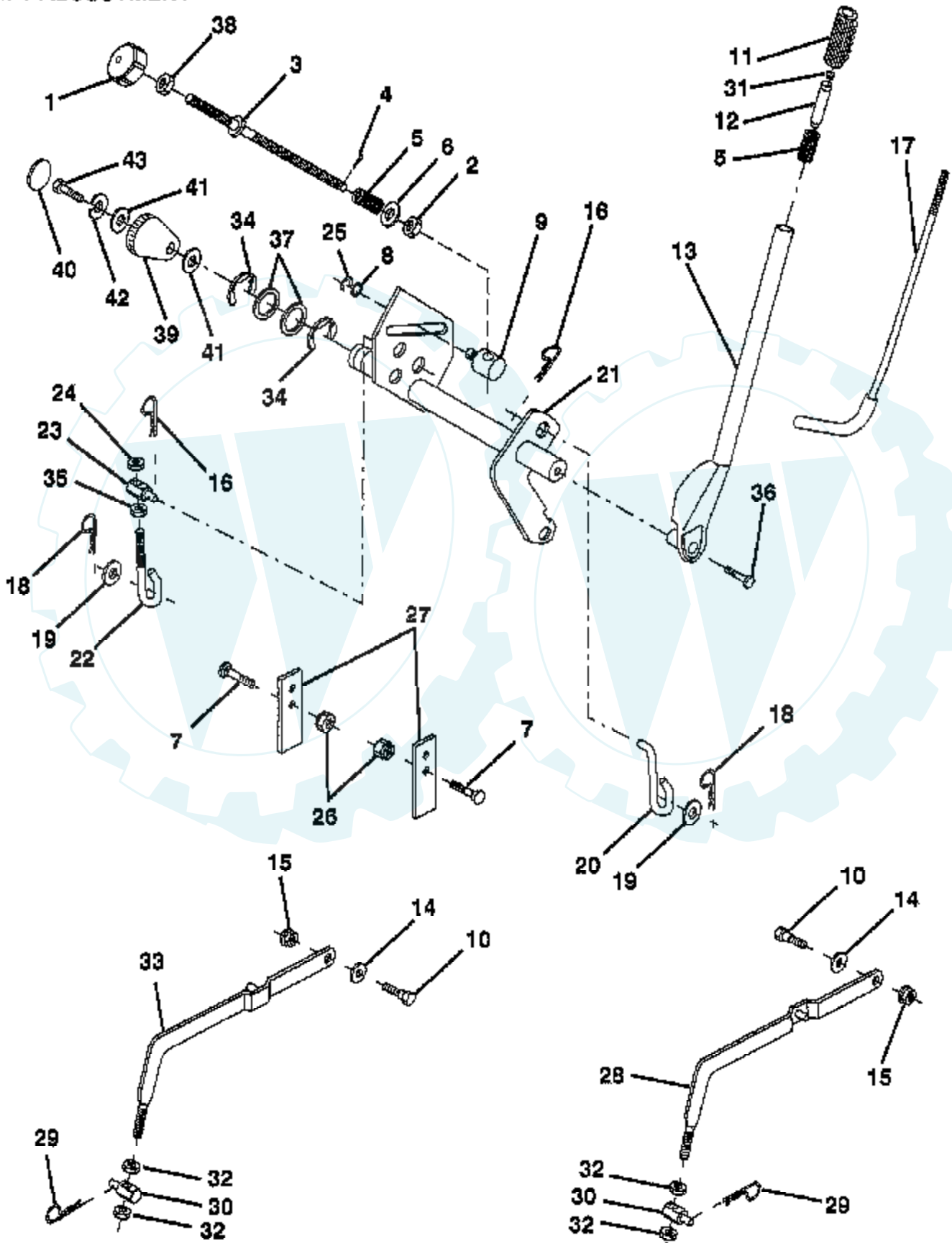
ELECTRICAL



Ref #	Part Number	Qty	Description
1	123198X		SUB= 146525
2	19091016		WASHER
3	102476X		SUB= 150109
4	72240460		BOLT
5	121537X		SUB= 123899X
6	7603J		"TRAY T, BATTERY"
7	134870		HARNESS
8	109748X		RELAY ASSY T
9	9433R		AMMETER T
10	127441X		SUB= 136850
11	7662J		SUB= 4152J
12	100656K		SUB= 7697J
13	7192J		WIRE TIE
14	104445X		SWITCH-INTER. GT
15	4206J		CABLE-BATTERY T
16	4406J		JOINT CRT
17	131708		SUB= 532131708
18	124211X		NUT IGNITION
19	122147X		KEY
20	19070818		WASHER
21	110712X		SWITCH LT
22	73680400		SUB= 73690400
23	10101000		SUB= 10071000
24	73911000		NUT
25	109081X		SUB= 146154
26	131563		SUB= 154336
27	4207J		CABLE T
28	10090400		SUB= 10040400
29	73350400		NUT
30	17021008		SCREW
31	2751R		CLIP T
32	109596X		HOSE CLAMP T
33	4799J		"CABLE T, BATTERY"
35	74780408		BOLT
36	73510400		NUT
37	74760412		BOLT LT
39	73220400		SUB= 50675
40	11050400		LOCKWASHER
43	10040400		LOCKWASHER
45	108824X		FUSE HYT
51	102501X		SUB= 141940
52	235R		CLIPT
55	126016X		SUB= 4021J
56	4022J		HEX NUT T
57	123620X		SUB= 141226
58	121305X		SWITCH SEAT
61	121264X		"CAP,BATTERY "

18 HP 44" TRACTOR -- MODEL NUMBER Y1844B

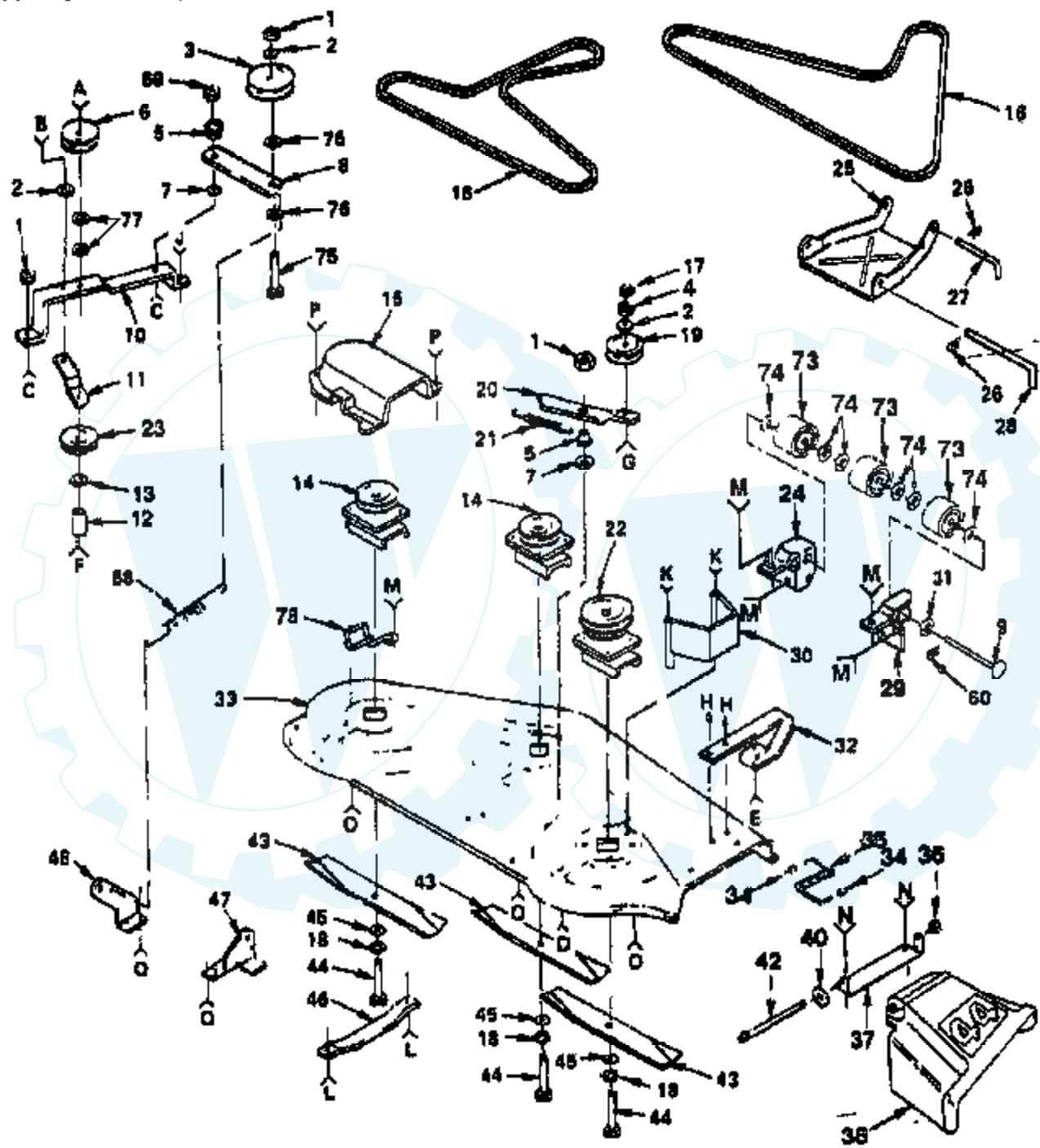
LIFT ADJUSTMENT



Ref #	Part Number	Qty	Description
1	100734K		SUB= 138057
2	110807X		NUT T
3	110729X		ROD LIFT LT
4	76020308		SUB= 3145
5	2876H		SPRING T
6	19131016		WASHER
7	72140608		SUB= 72110608
8	19151216		WASHER
9	110810X		TRUNION LT
10	105848X		"BOLT, SHOULDER LT"
11	109413X		GRIP
12	122364X		SUB= 125925X
13	121002X		SUB= 123096X
14	110739X		WASHER T
15	73980600		NUT SPECIAL T
16	4939M		SUB= 85902
17	121006X		LEVER ROD LT
18	4921H		SPRING.RETAINER
19	19171516		WASHER T
20	110029X		LIFT LINK LT
21	124516X		SHAFT LIFT
22	110448X		PIVOT PIN T
23	110447X		SUB= 132793
24	73710700		NUT LOCK YTH
25	12000037		KLIP RING
26	73680600		SUB= 73690600
27	121252X		UPSTOP
28	121598X		RH SUSP ARM ASM
29	9135R		SPRING H
30	106308X		SUB= 130171
31	124526X		SUB= 125925X
32	73220800		NUT
33	121599X		LH SUSP ARM ASM
34	12000022		E-RING
35	73360700		NUT
36	74780624		"BOLT,HEX"
37	19292016		WASHER
38	73350600		NUT
39	123934X		HEIGHT INDICATOR
40	123935X		"PLUG,HOLE"
41	19112410		WASHER
42	10040500		LOCKWASHER
43	74780516		SUB= 77394

18 HP 44" TRACTOR -- MODEL NUMBER Y1844B

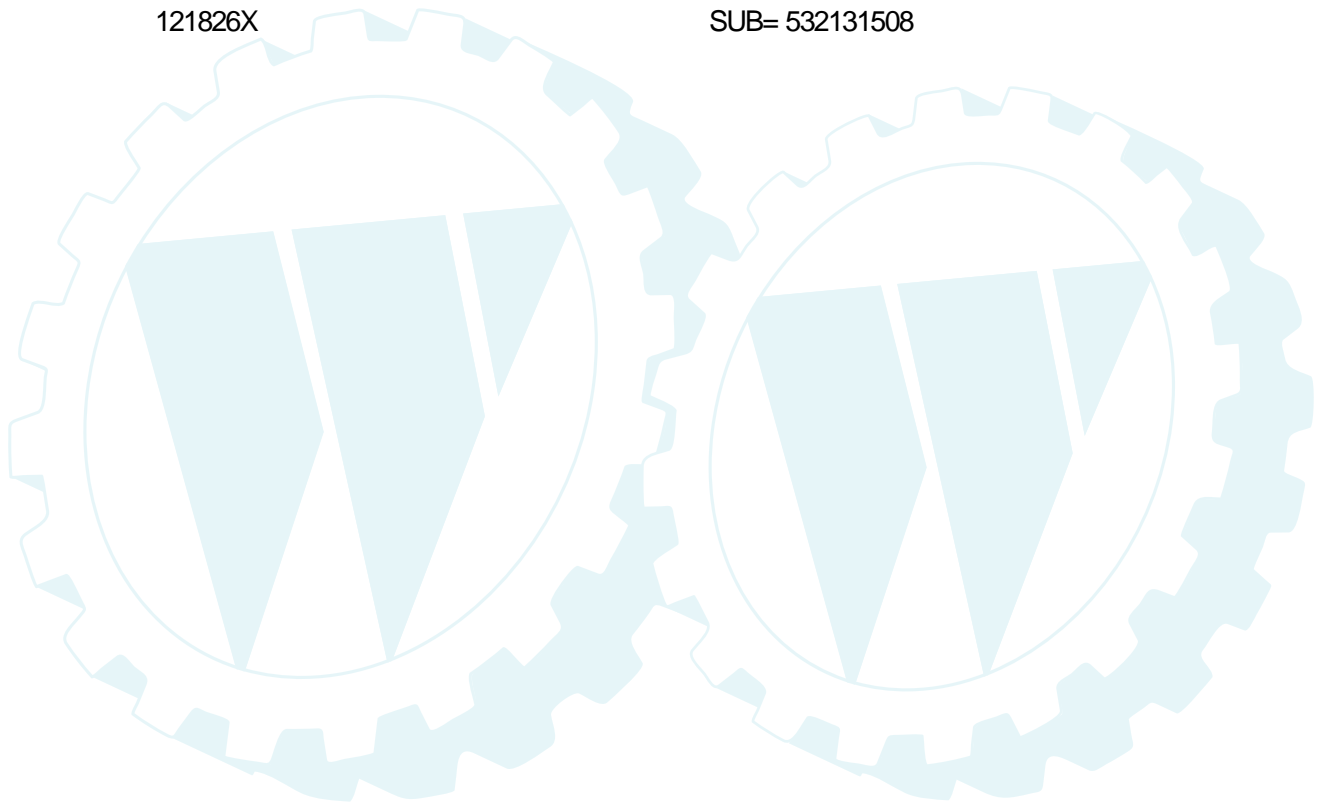
44" MOWER DECK



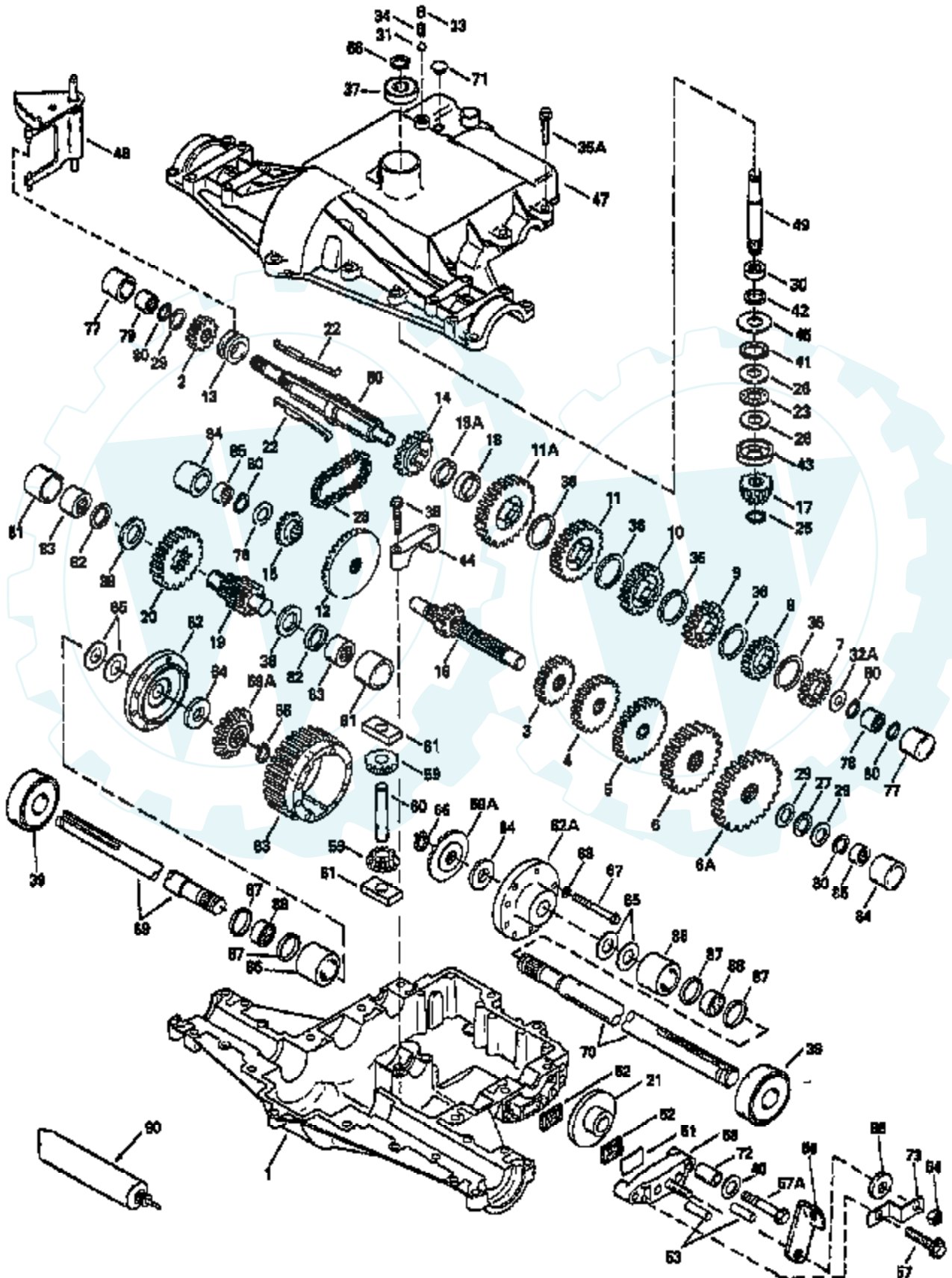
- | A | B | C | D | E | F | G | H | J | K | L | M | N | O | P | Q |
|---|---|---|---|---|---|---|---|---|---|---|---|---|---|---|---|
| | | | | | | | | | | | | | | | |
| | | | | | | | | | | | | | | | |
| | | | | | | | | | | | | | | | |

Ref #	Part Number	Qty	Description
1	73680600		SUB= 73690600
2	19131614		WASHER
3	121316X		PULLEY IDLER
4	10040600		LOCKWASHER
5	106902X		SPACER RETAINER
6	677A451		IDLER-INSIDE T
7	106513X		"WASHER, WEAR LT"
8	121425X		ARM IDLER
9	109776X		PIVOT PIN T
10	106523X		"SUPPORT YT, BAR"
11	106522X		BRACE-IDLER YT
12	121236X		SPACER
13	19131316		WASHER
14	121658X		SUB= 136819
15	106214X		GUARD YT
16	106085X		BELT-V.79.1.MWR
17	73220600		NUT.HEX.3/8-16UNC
18	10030600		SUB= 10040600
19	102932X		IDLER.FLAT.GTV
20	106526X		ARM-IDLER YT
21	7644J		SPRING T
22	121705X		JACKSHAFT
23	102403X		IDLER-FLAT T
24	109599X		BRACKET LH YTH
25	105662X		LINK.PARALLEL
26	4921H		SPRING.RETAINER
27	105744X		"ROD, FRT. PARAL T"
28	109835X		HINGE PIN T
29	109600X		BRACKET RH YTH
30	108119X		GUARD BELT HYT
31	19151616		SUB= 19171616
32	8418J		SUB= 136321
33	121423X		SUB= 144729
34	105304X		CAP-SLEEVE LT
35	106734X		SUB= 123713X
36	110452X		NUT PUSH M
37	109743X		SUB= 137607
38	109785X		DEFLECTOR SHIELD
40	19111016		WASHER
42	106735X		ROD-HINGE T
43	106635X		SUB= 25034
44	74610624		BOLT.3/8-24X1-1/2
45	19132012		WASHER
46	7631J		RUNNER-LH M
47	123807X		BRKT SUSP REAR RH
48	123808X		BRKT SUSP REAR LH
51	72140614		BOLT
52	72140608		SUB= 72110608
53	72140612		BOLT
54	74760620		SUB= 74780620
55	72140506		BOLT
56	19111116		WASHER
57	73680500		SUB= 73690500
58	74760648		BOLT - HEX 3/8 - 16 X 3
59	74110632		SCREW YT
60	76020412		COTTER PIN
61	19111216		WASHER M
62	74760580		BOLT

Ref #	Part Number	Qty	Description
66	17490612		SCREW
67	72140606		BOLT
68	102727X		"SPRING.EXT.8.5""
69	73930600		LOCKNUT
70	72110506		SUB= 72270506
72	1685H		SUB= 68478
73	109729X		ROLLER T
74	19151610		WASHER T
75	72140620		BOLT
76	19131210		WASHER
77	19131410		WASHER
78	121352X		BELT RETIANER
79	72110505		BOLT
80	74760616		BOLT
	121826X		SUB= 532131508



18 HP 44" TRACTOR -- MODEL NUMBER Y1844B PEERLESS TRANSAXLE - MODEL NUMBER 820-016A

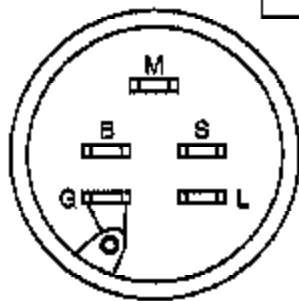
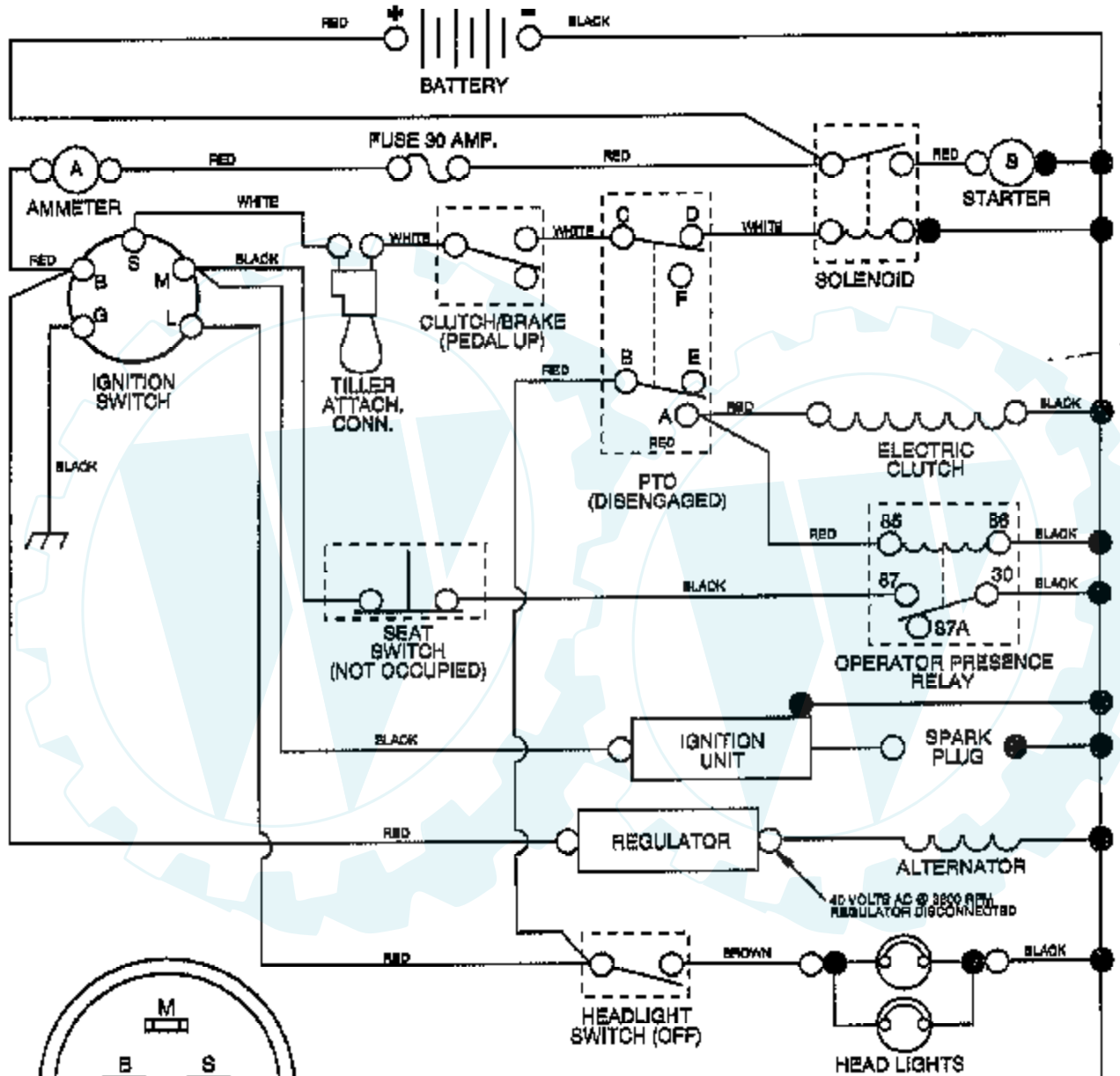


Ref #	Part Number	Qty	Description
1	770088		CASE TRANSAXLE
2	778253		GEAR, SPUR, 15T
3	778211		GEAR, SPUR, 12 TEETH
4	778240		GEAR, SPUR, 18 TEETH
5	778201		GEAR, SPUR, 25T
6	778202		GEAR, SPUR, 28T
6A	778208		GEAR, SPUR, 31T
7	778273		GEAR, SPUR, 19T
8	778203A		GEAR, SPUR, 22T
9	778204A		GEAR, SPUR, 25T
10	778239A		GEAR, SPUR, 32 TEETH
11	778207A		GEAR, SPUR, 37 TEETH
11A	778216A		GEAR, SPUR, 41T
12	778246		GEAR BEVEL, 33T
13	784216		COLLAR SHIFT
14	786123		SPROCKET 18T (REV)
15	786082		SPROCKET 9T
16	776291		SHAFT COUNTER
17	778245		BEVEL PINION, 13T
18	786121		SPACER, .350/.340 THICK
18A	786122		SPACER, .276/.268 THICK
19	776275		SHAFT, OUTPUT, 9T
20	778247		GEAR, OUTPUT, 35T
21	790043		DISK BRAKE
22	792138		KEY
23	780084		BEARING THRUST
25	788040		RETAINING RING
26	780051		WASHER THRUST
27	780071		THRUST BEARING
28	786081		CHAIN, ROLLER
29	780072		WASHER THRUST
30	780155		BEARING NEEDLE
31	792077		BALL STEEL, 5/16" DIA.
32A	780139		WASHER
33	792078		SCREW, 3/8-16 X 3/8"
34	792079		SPRING
35	792073		SCREW, 1/4-20 X 1-1/4
35A	792129		SCREW HEX HD 5/16-18 X 1-1/4
36	780108		WASHER THRUST
37	780119		BEARING BALL
38	780128		WASHER THRUST
39	780050		BEARING BALL
40	792128		WASHER FLAT
41	788077		"O" RING
42	788042		OIL SEAL 3/4
43	780166		WASHER CUPPED
44	786131		BEARING CAP
45	780165		WASHER
47	772098A		COVER TRANSAXLE
48	784342		ROD AND FORK ASSY SHIFT
49	776274		SHAFT INPUT
50	776313		SHAFT BRAKE
51	790007		PLATE BRAKE PAD
52	790006		PAD BRAKE
53	786026		PIN DOWEL
54	792075		LOCKNUT 5/16-24
55	792076		WASHER FLAT
56	790047		LEVER BRAKE

Ref #	Part Number	Qty	Description
57	792073		SCREW, 1/4-20 X 1-1/4
57A	792085		SCREW FLNG HEX 1/4-20 X 2-1/4
58	790025		HOLDER BRAKE PAD
59	778197		PINION, 10T
59A	778198		GEAR BEVEL
60	786019		PIN DRIVE
61	786027		BLOCK DRIVE
62	774833		CARRIER DIFF THREADED HOLES
62A	774834		CARRIER DIFF
63	778248		GEAR, RING, 31T
64	780107		WASHER
65	780042		WASHER THRUST
66	792018		RING STRAP
67	792020		SCREW, 1/4-20 X 2-1/4
68	792006		WASHER LOCK 1/4
69	774832		AXLE, 12-5/16" LONG
70	774831		AXLE, 16-3/16" LONG
71	792074		PLUG, THRDED, 9/16-18
72	786067		SPACER
73	786086		BRKT BRAKE LEVER
76	780153		WASHER
77	786144		SLEEVE
78	780150		BEARING NEEDLE
79	780152		BEARING NEEDLE
80	792001		"O" RING
81	786142		SLEEVE STEPPED
82	788071		RING SQ CUT
83	780168		BEARING NEEDLE CAPPED
84	786143		SLEEVE STEPPED
85	780151		BEARING NEEDLE CAPPED
86	786145		SLEEVE STEPPED
87	788070		RING SQ CUT
88	780031		BEARING NEEDLE
90	788067B		GREASE BENTONITE, 32 OZ.

18 HP 44" TRACTOR -- MODEL NUMBER Y1844B

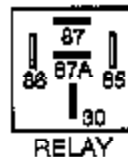
SCHEMATIC



IGNITION SWITCH

POSITION	CIRCUIT
OFF	M + G
ON	B + L
START	B + S

WIRING INSULATED CLIPS
NOTE: IF WIRING INSULATED CLIPS WERE REMOVED FOR SERVICING OF UNIT, THEY SHOULD BE REPLACED TO PROPERLY SECURE YOUR WIRING

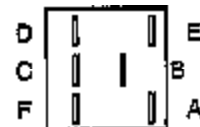


RELAY

- NON-REMOVABLE CONNECTIONS
- REMOVABLE CONNECTIONS

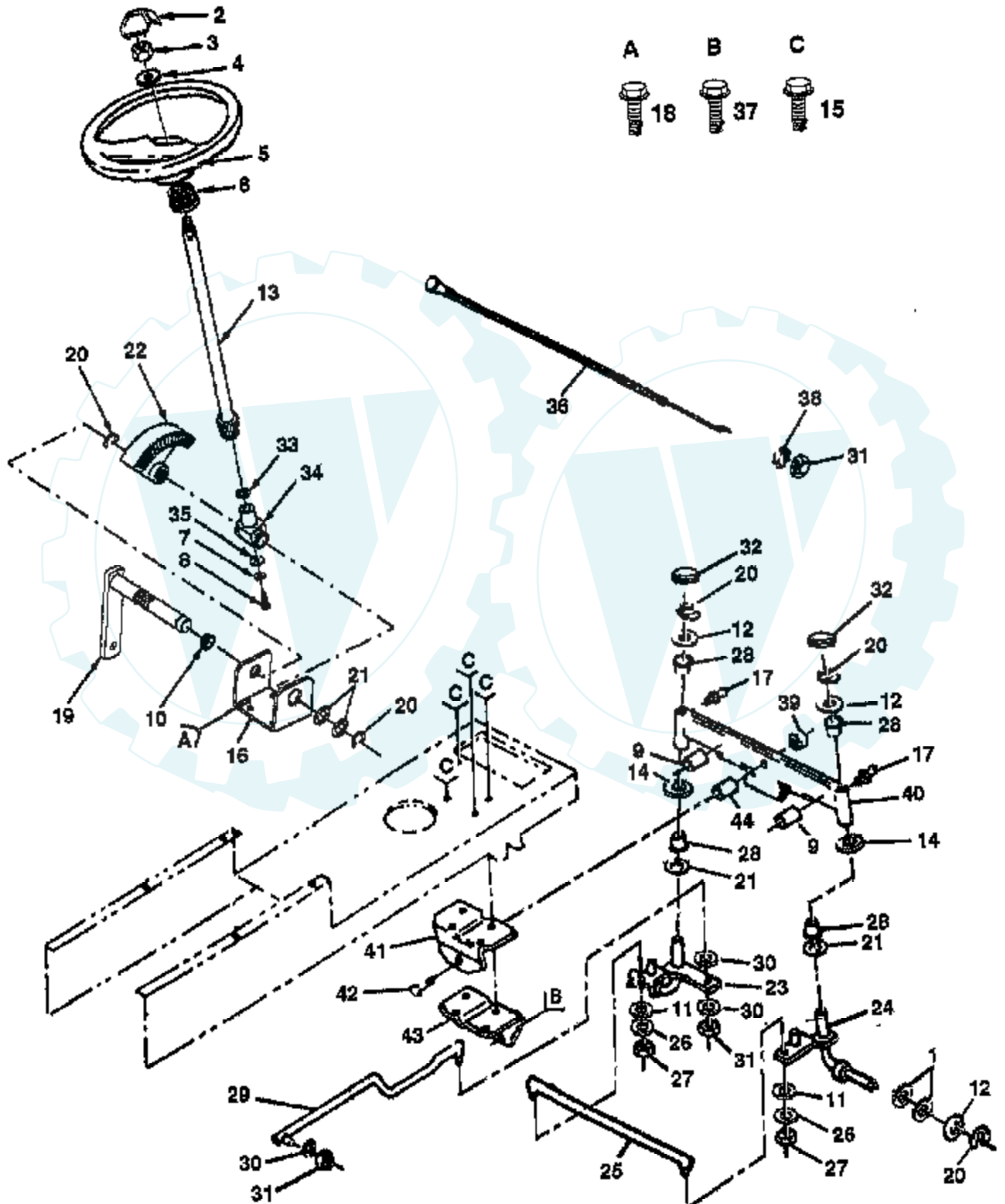
PTO SWITCH

POSITION	CIRCUIT
OFF	B + E, Q + D
ON	B + A, C + F



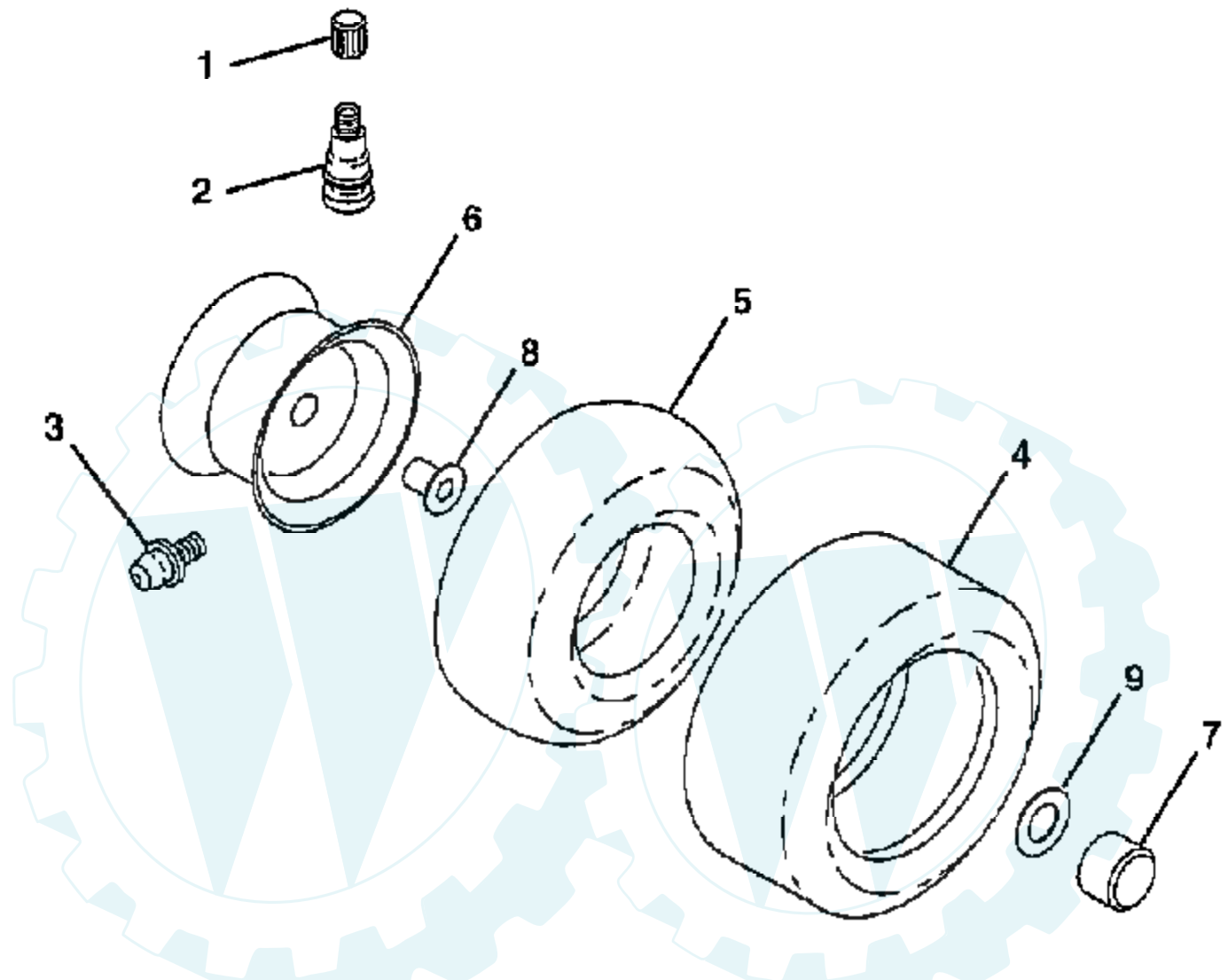
18 HP 44" TRACTOR -- MODEL NUMBER Y1844B

STEERING ASSEMBLY



Ref #	Part Number	Qty	Description
1	121749X		WASHER
2	121584X		INSERT STEERING
3	73940800		SUB= 73360800
4	100712K		WASHER
5	121472X		SUB= 150546
6	100711L		ADAPTER LT
7	10040400		LOCKWASHER
8	71070410		"SCREW,SPECIAL"
9	132624		AXLE PIN
10	109816X		NYLINER T
11	19111216		WASHER M
12	121748X		WASHER
13	128762		SUB= 156544
14	19272016		WASHER
15	122819X		SCREW SPECIAL
16	124036X		"BRKT,STEERING"
17	6855M		ZERK M
18	17490612		SCREW
19	127501		SUB= 918127501
20	12000029		RING
21	6266H		WASHER .T
22	124034X		SUB= 136874
23	135227		SPINDLE LH
24	135228		SPINDLE RH
25	130467		TIE ROD
26	10040500		LOCKWASHER
27	73810500		NUT.LOCK.5/16-24
28	3366R		COL. SRTG. BEAR.
29	130468		SUB= 532130468
30	10040600		LOCKWASHER
31	73610600		SUB= 7810H
32	121232X		CAP
33	57079		THRUST WASHER
34	124035X		SUPPORT.SHAFT
35	126684X		SUB= 532126684
36	132781		CHOKE CONTROL
37	17490508		SCREW LT
38	11050600		LOCKWASHER
39	73601000		SUB= 73901000
40	108075X		FRONT AXLE
41	105663X		SUPPORT-SADDL T
42	74761060		BOLT LT
43	105664X		SUPPORT.SADDLE.FT
44	110438X		BEARING

WHEELS & TIRES



NOTE: All component dimensions given in U.S. inches
1 inch = 25.4 mm

Ref #	Part Number	Qty	Description
1	59192		VALVE CAP
2	65139		VALVE STEM LT
3	278H		FITTING LT
4	124106X		SUB= 138756
4	106222X		SUB= 122073X
5	7154J		TUBE.23X8/10-12
5	59904		TUBE.5.3/4.5/6
6	124074X361		SUB= 124074X417
6	106732X361		SUB= 106732X417
7	104757X		HUB CAP
8	9040H		"FLANGE, BEARING"

