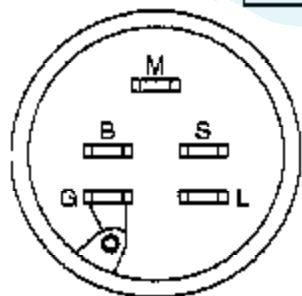
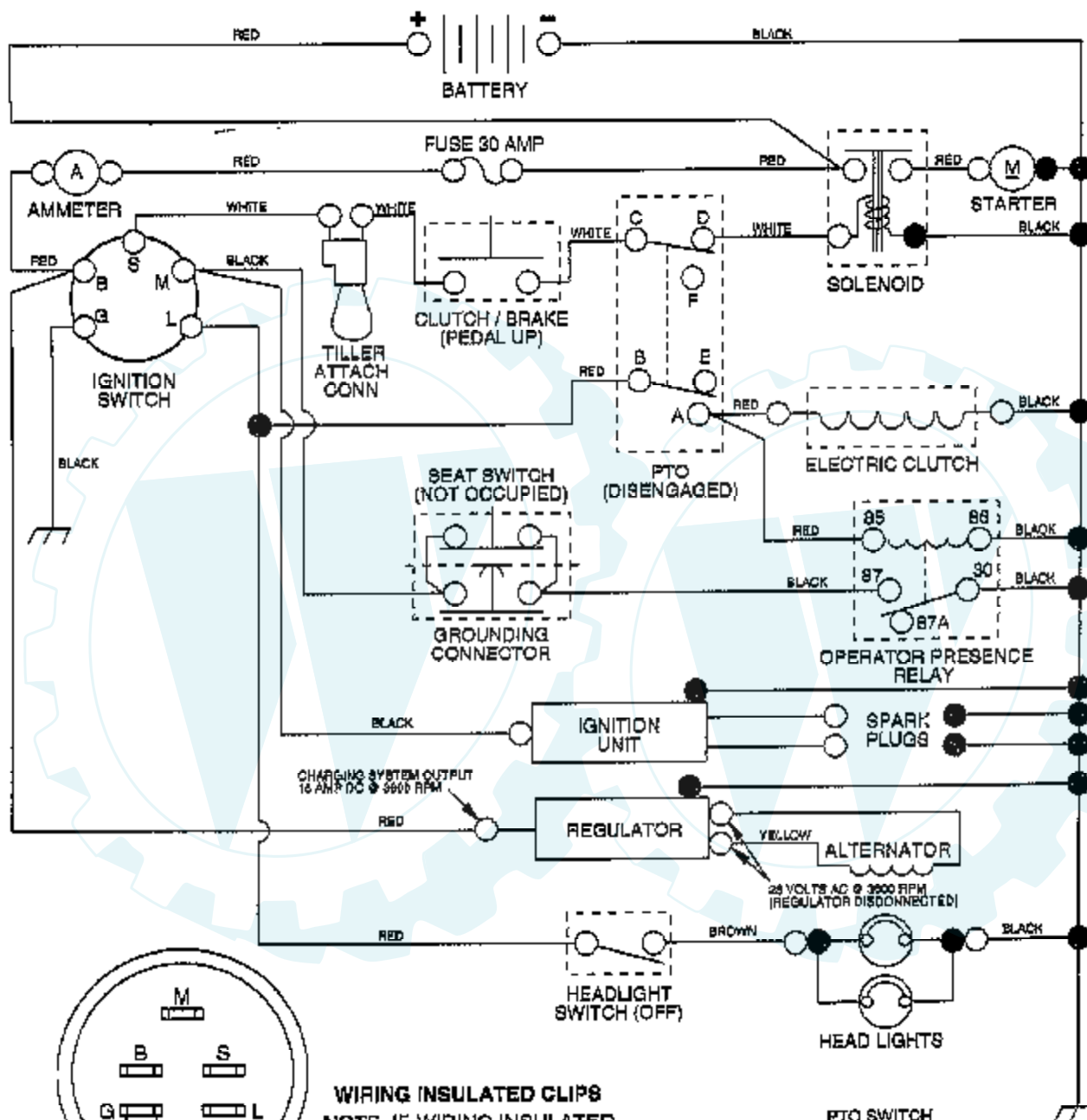


16 HP 42" TRACTOR -- MODEL NUMBER Y1642B

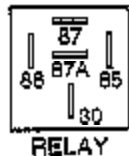
SCHEMATIC



IGNITION SWITCH

POSITION	CIRCUIT
OFF	M + G
ON	S + L
START	B + S

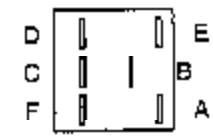
WIRING INSULATED CLIPS
NOTE: IF WIRING INSULATED CLIPS WERE REMOVED FOR SERVICING OF UNIT, THEY SHOULD BE REPLACED TO PROPERLY SECURE YOUR WIRING



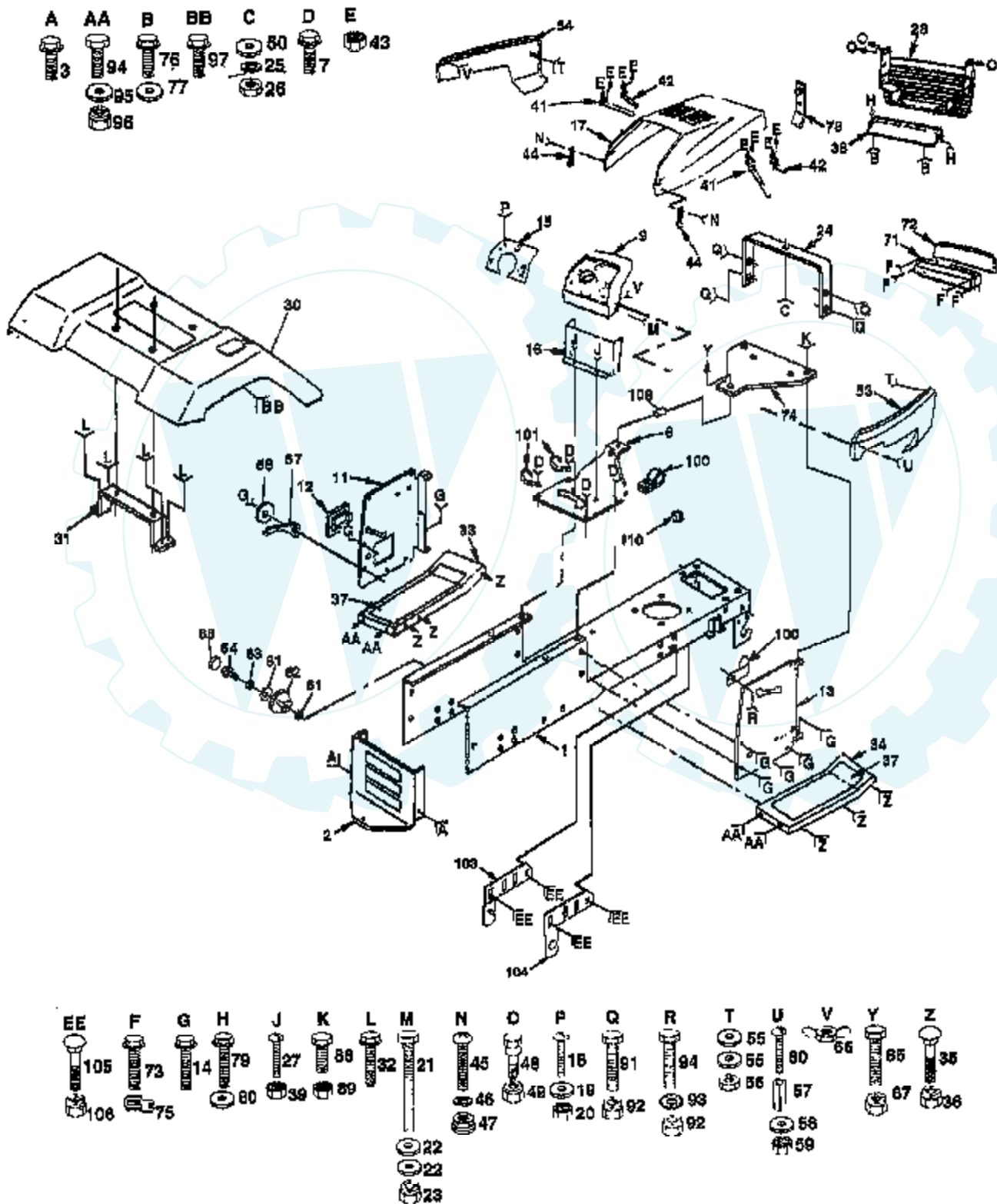
- NON-REMOVABLE CONNECTIONS
- REMOVABLE CONNECTIONS

PTO SWITCH

POSITION	CIRCUIT
OFF	B + E, C + D
ON	B + A, C + F



16 HP 42" TRACTOR - - MODEL NUMBER Y1642B CHASSIS AND ENCLOSURES

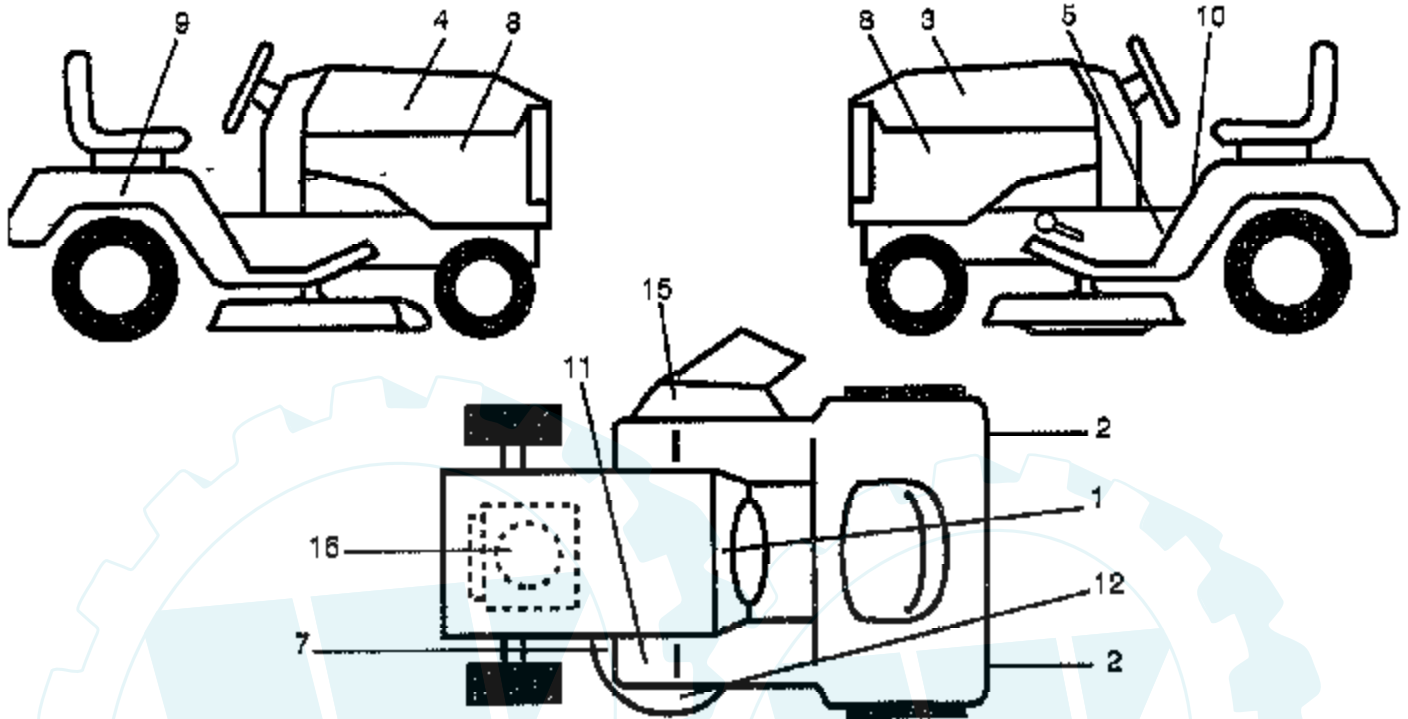


Ref #	Part Number	Qty	Description
1	135034		SUB= 145501
2	137275		SUB= 145009
3	17490615		SCREW
6	127543X015		SADDLE.LT.GOOSE
7	17490608		SCREW LT
9	124252X		SUB= 140398
11	136967		PANEL.DASH.LH
12	121794X		COVER ACCESS
13	136970		PANEL.DASH.RH
14	17490612		SCREW
15	121444X019		PLATE.SLKSCR.
16	104783X		DASH ASSY LT
17	132635X505		SUB= 150301X505
18	74180512		SCREW
19	19111116		WASHER
20	73510500		NUT
21	74760620		SUB= 74780620
22	19131312		WASHER
23	73680600		SUB= 73690600
24	124130X		SUPPORT ASS'Y
25	10040400		LOCKWASHER
26	73220400		SUB= 50675
27	74180512		SCREW
28	131716		SUB= 532131716
30	126599X505		FENDER
31	136619		BRKT FENDER
32	17490612		SCREW
33	105465X505		SUB= 145244X505
34	105464X505		SUB= 145243X505
35	72110606		BOLT
36	73680600		SUB= 73690600
37	133671		FOOTREST PAD
38	105419X505		GRILL STRAP
39	73510500		NUT
41	106784X		SUB= 155013
42	104618X		SUB= 155013
43	73510400		NUT
44	109808X		HOOD LATCH T
45	74191008		SCREW
46	10071000		LOCKWASHER
47	2029J		WELDNUT
48	123481X		SUB= 7605J
49	73680400		SUB= 73690400
50	19091216		WASHER PM
53	137655X505		PANEL.SIDE.RH
54	132637X505		"PANEL,SIDE LH"
55	19091216		WASHER PM
56	73220400		SUB= 50675
57	7206J		SPACER LT
58	19070818		WASHER
59	73731000		NUT
60	74981020		SCREW
61	19112410		WASHER
62	123934X		HEIGHT INDICATOR
63	10040500		LOCKWASHER
64	74780516		SUB= 77394
65	123935X		"PLUG,HOLE"
66	123198X		SUB= 146525

Ref #	Part Number	Qty	Description
67	123933X505		POINTER HGT IND
68	120529X		WASHER T
71	124392X417		SUB= 147717
72	106395X		LENS LT
73	17211010		SCREW LT
74	137654		SUB= 140181
75	104755X		""J"" FASTENER LT"
76	17490512		SCREW
77	19131210		WASHER
78	132644		SUB= 532132644
79	17490412		SCREW HEX CRT
80	19091016		WASHER
85	74760532		BOLT
87	73680500		SUB= 73690500
88	74760620		SUB= 74780620
89	73510600		NUT
91	74760612		SUB= 74780612
92	73680600		SUB= 73690600
93	11050600		LOCKWASHER
94	74760612		SUB= 74780612
95	19131312		WASHER
96	73680600		SUB= 73690600
97	17490608		SCREW LT
100	2751R		CLIP T
101	126471X		"CLIP,INSULATOR"
103	134774		PIVOT BRKT LH
104	134775		PIVOT BRKT RH
105	72140608		SUB= 72110608
106	73800600		NUT
108	121236X		SPACER
110	110436X		SUB= 9151R

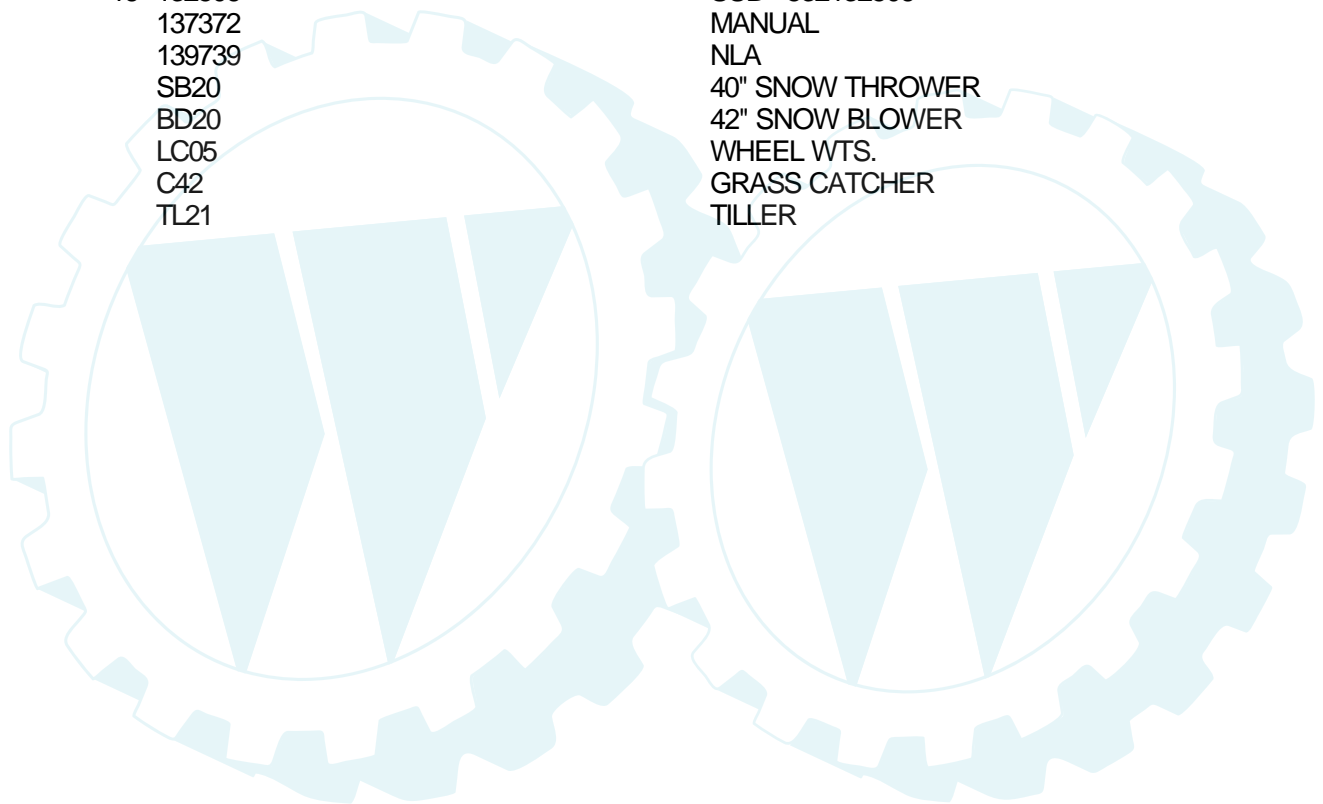
16 HP 42" TRACTOR - - MODEL NUMBER Y1642B

DECALS



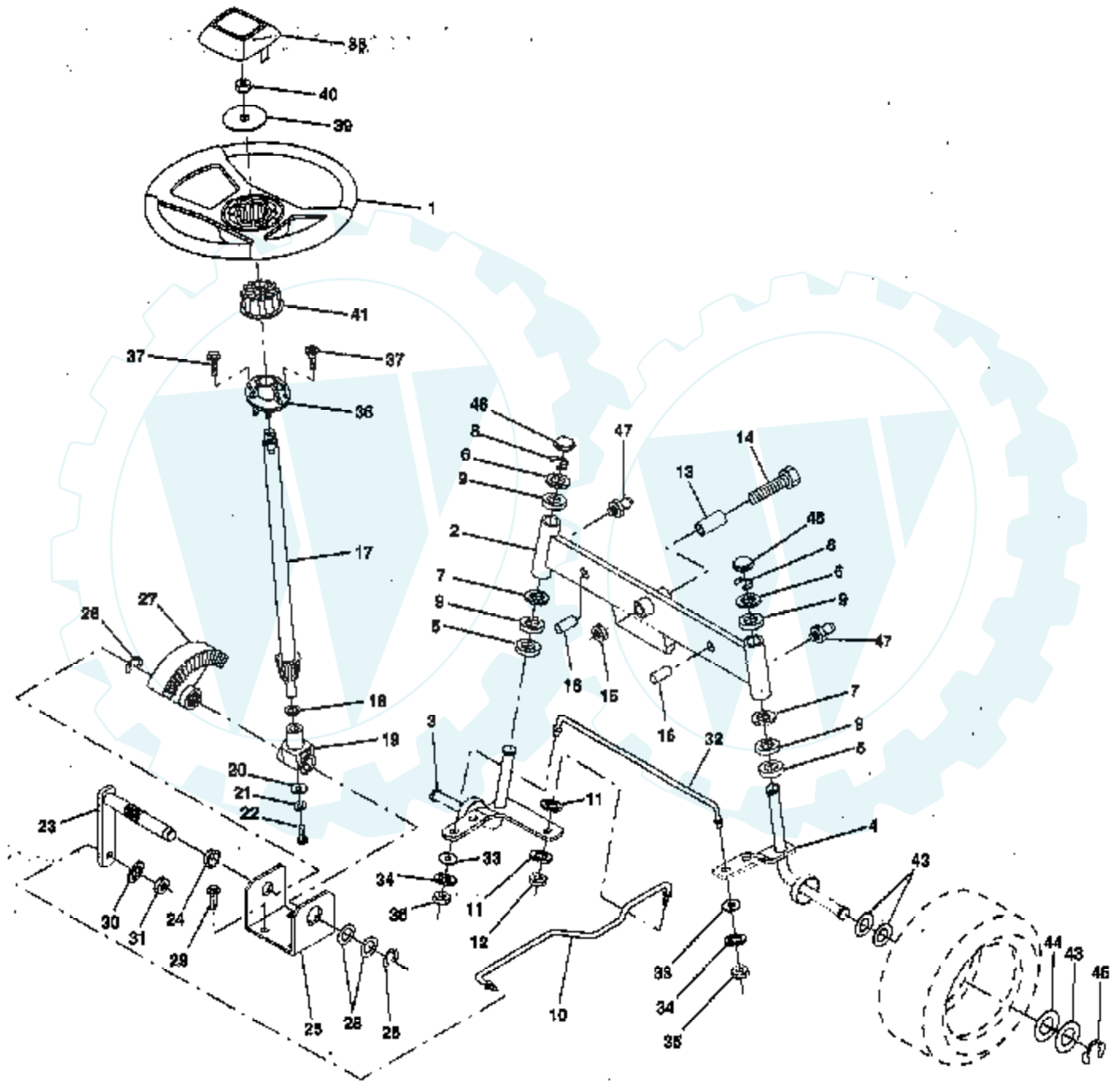
NOTE: All component dimensions given in U.S. inches
1 inch = 25.4 mm

Ref #	Part Number	Qty	Description
1	138956		REFER TO IMAGE
2	106202X		DECAL.DASH.INSTR.
3	123965X		REFLECTOR-TAIL YT
4	123966X		DECAL HOOD LH
5	138311		NLA
7	136832		DECAL HANDLE LIFT
8	139587		DECAL
9	123689		DECAL.SIDE.PNL
10	133795		SUB= 123689X
11	101892X		DECAL CAUTION
12	135013		DECAL T
15	137259		NLA
16	132506		"DECAL, WARNING"
	137372		SUB= 532132506
	139739		MANUAL
	SB20		NLA
	BD20		40" SNOW THROWER
	LC05		42" SNOW BLOWER
	C42		WHEEL WTS.
	TL21		GRASS CATCHER
			TILLER



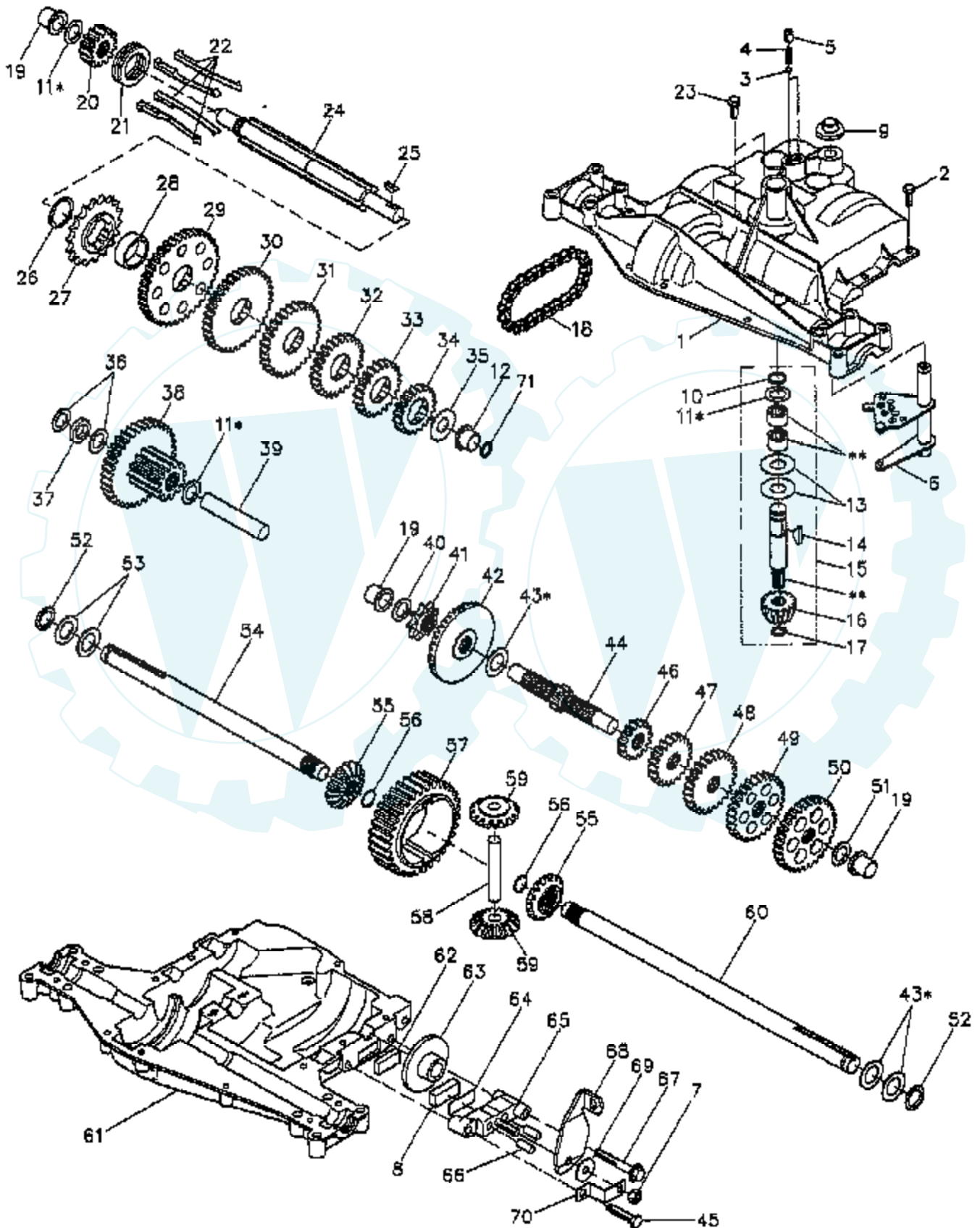
16 HP 42" TRACTOR -- MODEL NUMBER Y1642B

STEERING AND FRONT AXLE



Ref #	Part Number	Qty	Description
1	121472X		SUB= 150546
2	133988		SUB= 142033
3	135227		SPINDLE LH
4	135228		SPINDLE RH
5	6266H		WASHER .T
6	121748X		WASHER
7	19272016		WASHER
8	12000029		RING
9	3366R		COL. SRTG. BEAR.
10	130468		SUB= 532130468
11	10040600		LOCKWASHER
12	73610600		SUB= 7810H
13	110438X		BEARING
14	74011056		BOLT HEX 5/8-11
15	73901000		"NUT-LOC,FLANGE LT"
16	132624		AXLE PIN
17	128758		STEERING SHAFT
18	57079		THRUST WASHER
19	124035X		SUPPORT.SHAFT
20	126684X		SUB= 532126684
21	10040400		LOCKWASHER
22	71070410		"SCREW,SPECIAL"
23	127501		SUB= 918127501
24	109816X		NYLINER T
25	124036X		"BRKT,STEERING"
26	12000029		RING
27	136874		GEAR SECTOR
28	6266H		WASHER .T
29	17490612		SCREW
30	10040600		LOCKWASHER
31	73610600		SUB= 7810H
32	130467		TIE ROD
33	19111216		WASHER M
34	10040500		LOCKWASHER
35	73810500		NUT.LOCK.5/16-24
36	1554J		SUB= 155108
37	17431008		SUB= 98000165
38	121584X		INSERT STEERING
39	100712K		WASHER
40	73940800		SUB= 73360800
41	100711L		ADAPTER LT
43	121749X		WASHER
44	121748X		WASHER
45	12000029		RING
46	121232X		CAP
47	6855M		ZERK M

16 HP 42" TRACTOR - - MODEL NUMBER Y1642B DANA TRANSAXLE - MODEL NUMBER 4360-52



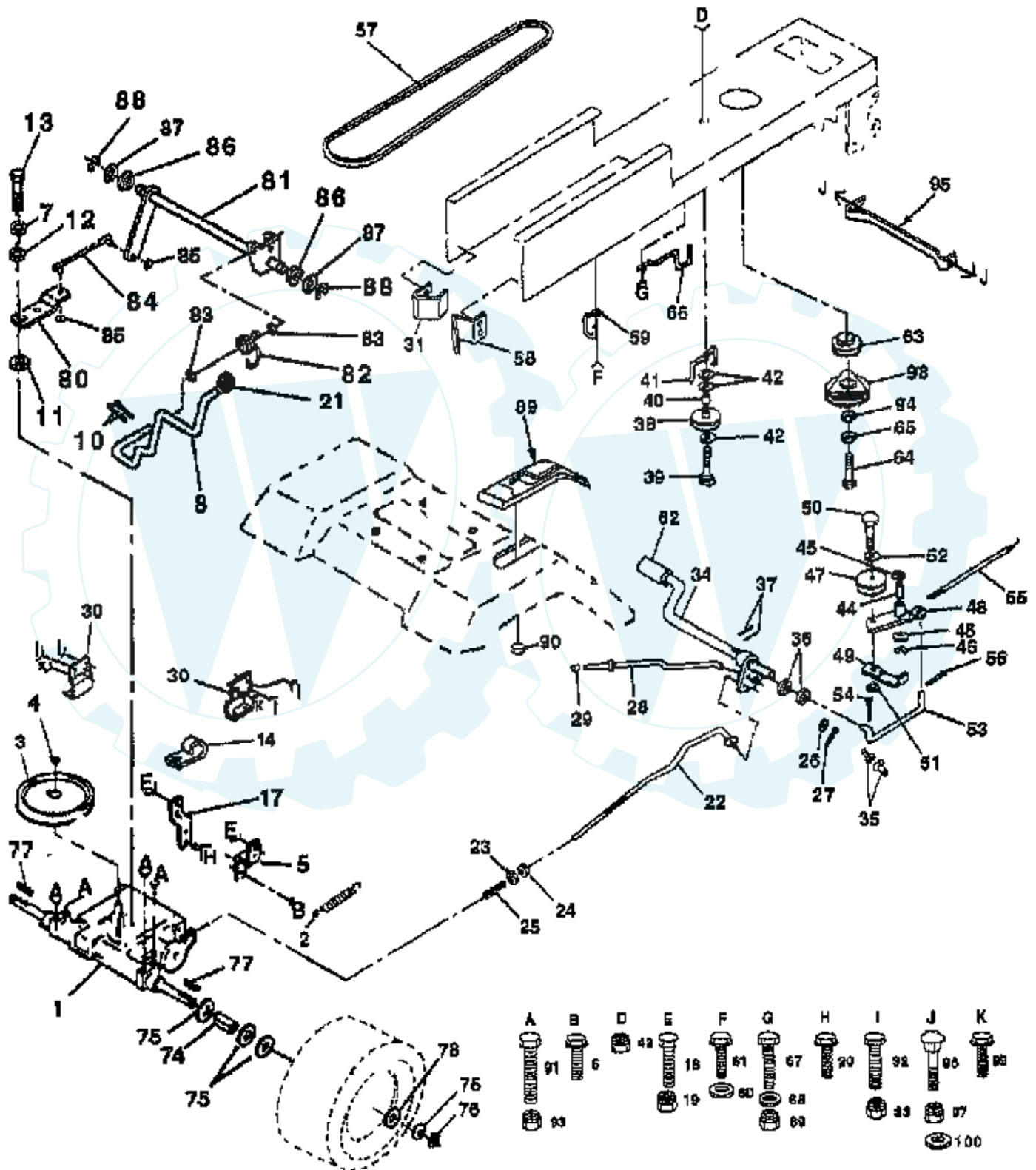
Ref #	Part Number	Qty	Description
1	138248		SUB= 160951
2	2274J		SUB= 74760412
3	134400		SUB= 68003
4	105904X		"SPRING, DETENT LT"
5	105905X		"SCREW, SET LT"
6	134788		SHIFTER.ASM.KIT.
7	7810500		LOCKNUT
8	120951X		PUCK T
9	134399		SHIFTER BOOT
10	2267J		RETAINING RING LT
11	134793		ASM KIT SHIM 4689
12	138240		"FLANGE, BEARING"
13	120415X		WASHER T
14	2257J		WOODRUFF KEY
15	138233		INPUT SHAFT ASSY
16	106095X		SUB= 95-8060-6F
17	105909X		"RING,RETAINING LT"
18	105910X		"CHAIN,24 PTCH LT"
19	105911X		BEARING.FLNG.5510
20	138242		GEAR SPUR 14T
21	138246		COLLAR CLUTCH
22	138238		KIT.ASM.CLTCH KEY
23	134791		SCREW TAP W/SEAL
24	138245		SUB= 143673
25	2244J		WOODRUFF KEY
26	105916X		"RING,RETAINING LT"
27	120470X		SPROCKET 18T T
28	110070X		SPACER YT
29	109253X		GEAR SPUR 40T
30	109254X		SUB= 144893
31	120405X		SUB= 124644X
32	108980X		GEAR 25T LT
33	120406X		GEAR SPUR 22 TT
34	134796		SPUR GEAR 19T
35	105925X		"WASHER, PLAIN LT"
36	2232J		WASHER 025
37	108978X		SPACER
38	108981X		GEAR COMB LT
39	124639X		SHAFT IDLER
40	3422J		WASHER
41	105928X		SPROCKET 9T LT
42	106605X		SUB= 167148
43	134394		ASM KIT SHIM
44	124640X		SHAFT DRIVE
45	106596X		"SCREW, TAPPING LT"
46	106151X		SUB= 144893
47	120407X		SUB= 124641X
48	106589X		"GEAR, SPUR 25T LT"
49	120408X		GEAR 28T T
50	105937X		"GEAR, SPUR 31T LT"
51	2226J		WASHER 060
52	134401		NEOPRENE WASHER
53	2264J		WASHER 031
54	120474X		SUB= 154658
55	120409X		GEAR LT
56	105941X		"RING,RETAINING LT"
57	110071X		SUB= 120478X
58	120952X		SHAFT T

Ref #	Part Number	Qty	Description
59	106592X		"GEAR,MITER 15T YT"
60	120475X		SUB= 154659
61	138247		SUB= 160951
62	120961X		PUCK T
63	7294J		BRAKE DISC. T
64	108989X		SPACER LT
65	120953X		SUB= 918120953X
66	120954X		PIN T
67	134799		TAP SCREW
68	138244		SUB= 108992X
69	108996X		WASHER LT
70	120956X		NLA
71	138241		SQUARE RING
72	120416X		SUB= 126976X



16 HP 42" TRACTOR - - MODEL NUMBER Y1642B

DRIVE









Ref #	Part Number	Qty	Description
1	137367		SUB= 161451
2	110422X		SUB= 146682
3	123667X		"PULLEY,TRANSAXLE"
4	12000028		SUB= 2267J
5	121520X		STRAP TORQUE
6	17490512		SCREW
7	10040400		LOCKWASHER
8	127270		SUB= 141003
10	76020416		PIN COTTER 1/8
11	105701X		WASH-SHFT PLT LT
12	19151216		WASHER
13	71040412		SUB= 74550412
14	2751R		CLIP T
17	121520X		STRAP TORQUE
18	74760612		SUB= 74780612
19	73680600		SUB= 73690600
20	17490512		SCREW
21	121274X		KNOB.DUCKHEAD.1/2
22	130804		BRAKE ROD
23	73800600		NUT
24	73350600		NUT
25	106888X		SPRING ROD LT
26	19131316		WASHER
27	76020412		COTTER PIN
28	133261		BRAKE PARK ROD
29	71673		PLUNGER CAP T
30	130807		TRANSAXLE MTG BKT
31	127289		"KEEPER,BELT LH"
32	74760512		BOLT
33	73680500		SUB= 73690500
34	122424X		SUB= 149001
35	120183X		NYLON BEARING
36	19211616		WASHER LT
37	1572H		SUB= 2882J
38	123674X		PULLEY.IDLER.FLAT
39	74760644		BOLT
40	4470J		SPACER T
41	109070X		BELT KEEPER LT
42	19131312		WASHER
43	73680600		SUB= 73690600
44	105706X		"LY, BEARING"
45	110812X		WASHER LT
46	12000039		KLIP RING
47	127783		SUB= 139245
48	123789X		ARM IDLER
49	123205X		RETAIN BELT
50	74760624		SUB= 74930624
51	73680600		SUB= 73690600
52	19131316		WASHER
53	105710X		"LINK, CLUTCH T"
54	76020412		COTTER PIN
55	105709X		"SPRING, RETURN LT"
56	76020412		COTTER PIN
57	131006		BELT-V
58	127290X		SUB= 127290
59	136715		SUB= 140312
60	19131312		WASHER
61	17490612		SCREW

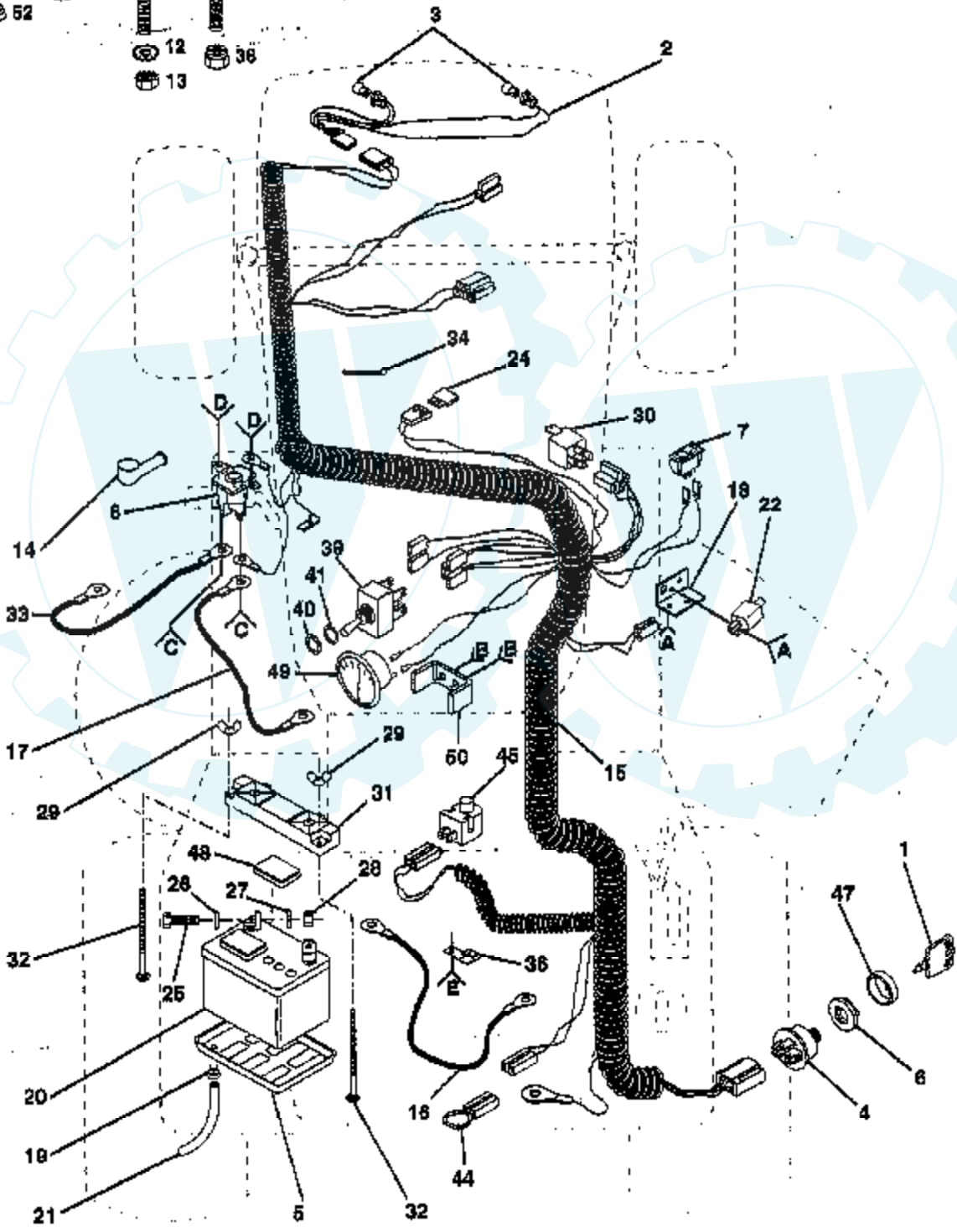
Ref #	Part Number	Qty	Description
62	8883R		PEDAL COVER T
63	136905		PULLEY ENGINE
64	71170768		SUB= 150280
65	10040700		LOCKWASHER
66	129921		KEEPER.BELT.ENG.L
67	74760616		BOLT
68	19131312		WASHER
69	73680600		SUB= 73690600
74	109502X		SPACER LT
75	121749X		WASHER
76	12000001		E-RING LT
77	123583X		SQUARE KEY
78	121748X		WASHER
80	131487		ARM SHIFT TRANS
81	136933		SHAFT ASM.SHIFT
82	123782X		"SPRING,TORSION"
83	19171216		WASHER
84	132183		TIE ROD
85	73530400		NUT 1/4-28
86	71208		BUSHING
87	19212016		WASHER D
88	12000008		KLIP RING
89	131636		SUB= 127271
90	124346X		NUT
91	74760540		BOLT
93	73680500		SUB= 73690500
94	126197X		WASHER
95	137141		BRACKET.ASM.MTG
96	72140506		BOLT
97	73680500		SUB= 73690500
98	137140		SUB= 142600
99	17490612		SCREW
100	19111012		WASHER T

16 HP 42" TRACTOR - - MODEL NUMBER Y1642B

ELECTRICAL

- A  23
- B  53
- C  9
- D  11
- E  11

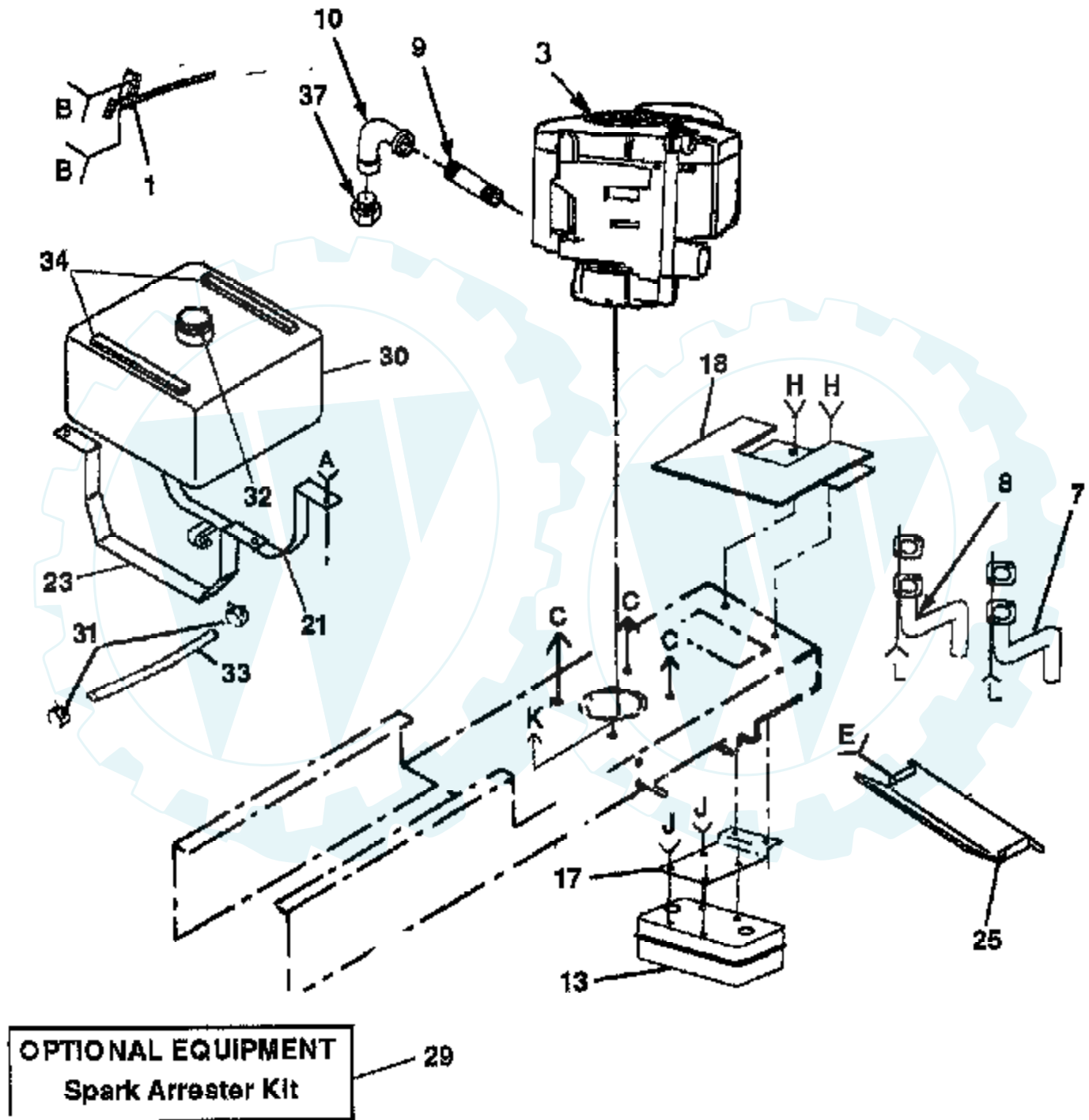
-  12
-  13
-  36














Ref #	Part Number	Qty	Description
1	122147X		KEY
2	136850		"HARNESS,LIGHT SOC"
3	7662J		SUB= 4152J
4	4406R		SUB= STD365402
5	7603J		"TRAY T, BATTERY"
6	124211X		NUT IGNITION
7	110712X		SWITCH LT
8	138406		SUB= 146154
9	10090400		SUB= 10040400
10	73350400		NUT
11	74780408		BOLT
12	11050400		LOCKWASHER
13	73510400		NUT
14	131563		SUB= 154336
15	134086		"HARNESS,IGNITION"
16	4207J		CABLE T
17	4206J		CABLE-BATTERY T
18	108236X		BRACKET LT
19	109596X		HOSE CLAMP T
20	121537X		SUB= 123899X
21	7697J		"DRAIN TU T, BATT"
22	104445X		SWITCH-INTER. GT
23	17021008		SCREW
24	108824X		FUSE HYT
25	74760412		BOLT LT
26	19091016		WASHER
27	10040400		LOCKWASHER
28	73220400		SUB= 50675
29	123198X		SUB= 146525
30	109748X		RELAY ASSY T
31	102476X		SUB= 150109
32	72240460		BOLT
33	4799J		"CABLE T, BATTERY"
34	7192J		WIRE TIE
36	235R		CLIPT
38	73680400		SUB= 73690400
39	126016X		SUB= 4021J
40	4022J		HEX NUT T
41	19171216		WASHER
44	102501X		SUB= 141940
45	121305X		SWITCH SEAT
47	123620X		SUB= 141226
48	121264X		"CAP,BATTERY "
49	9433R		AMMETER T
50	131708		SUB= 532131708
51	10101000		SUB= 10071000
52	73911000		NUT
53	19070818		WASHER

16 HP 42" TRACTOR -- MODEL NUMBER Y1642B

ENGINE

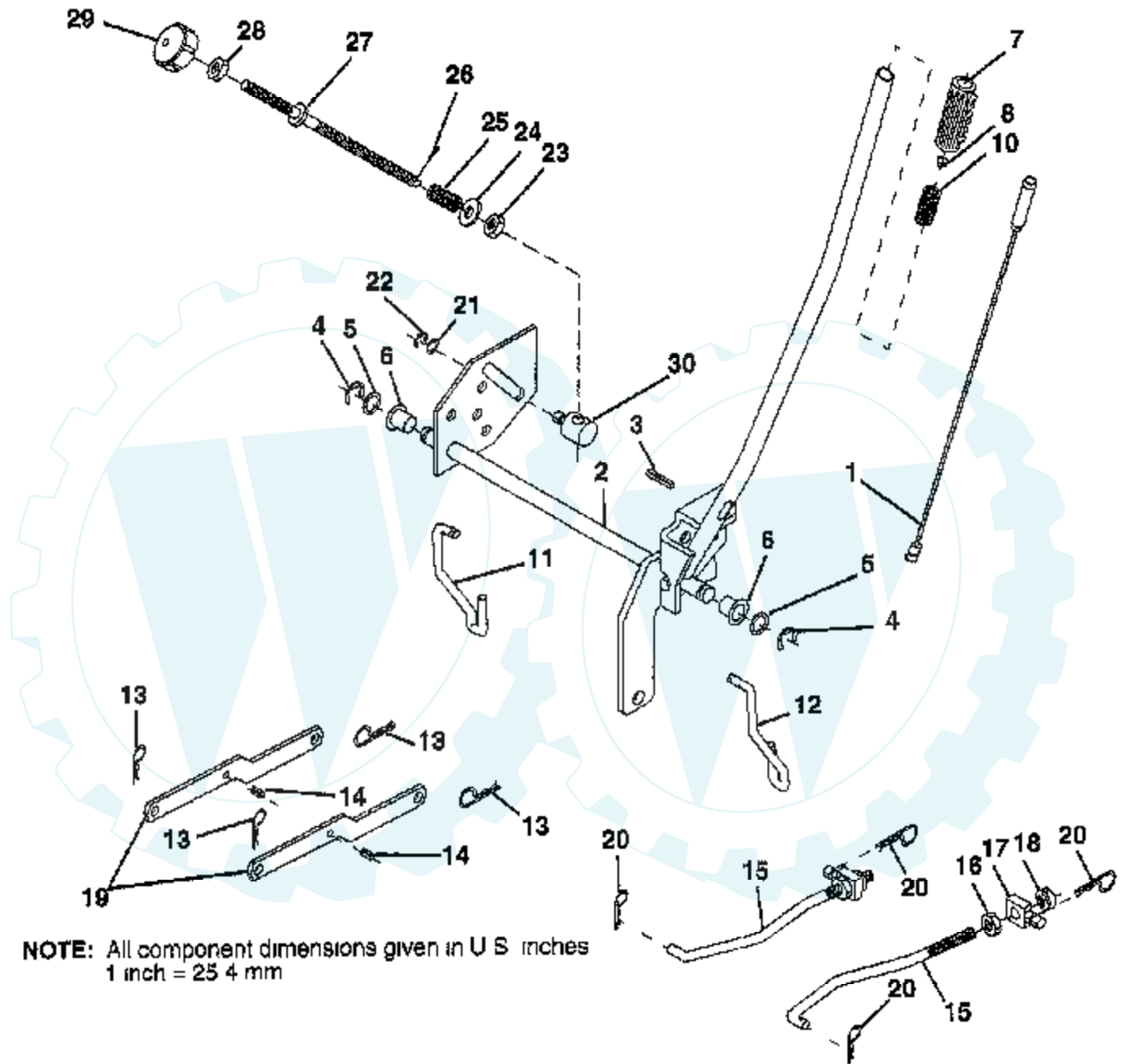


- | | | | | | | | |
|--|---|--|--|--|--|--|--|
| A | B | C | E | H | J | K | L |
|  24 |  2 |  12 |  26 |  15 |  14 |  12 |  41 |
| | | | |  16 | |  11 |  42 |

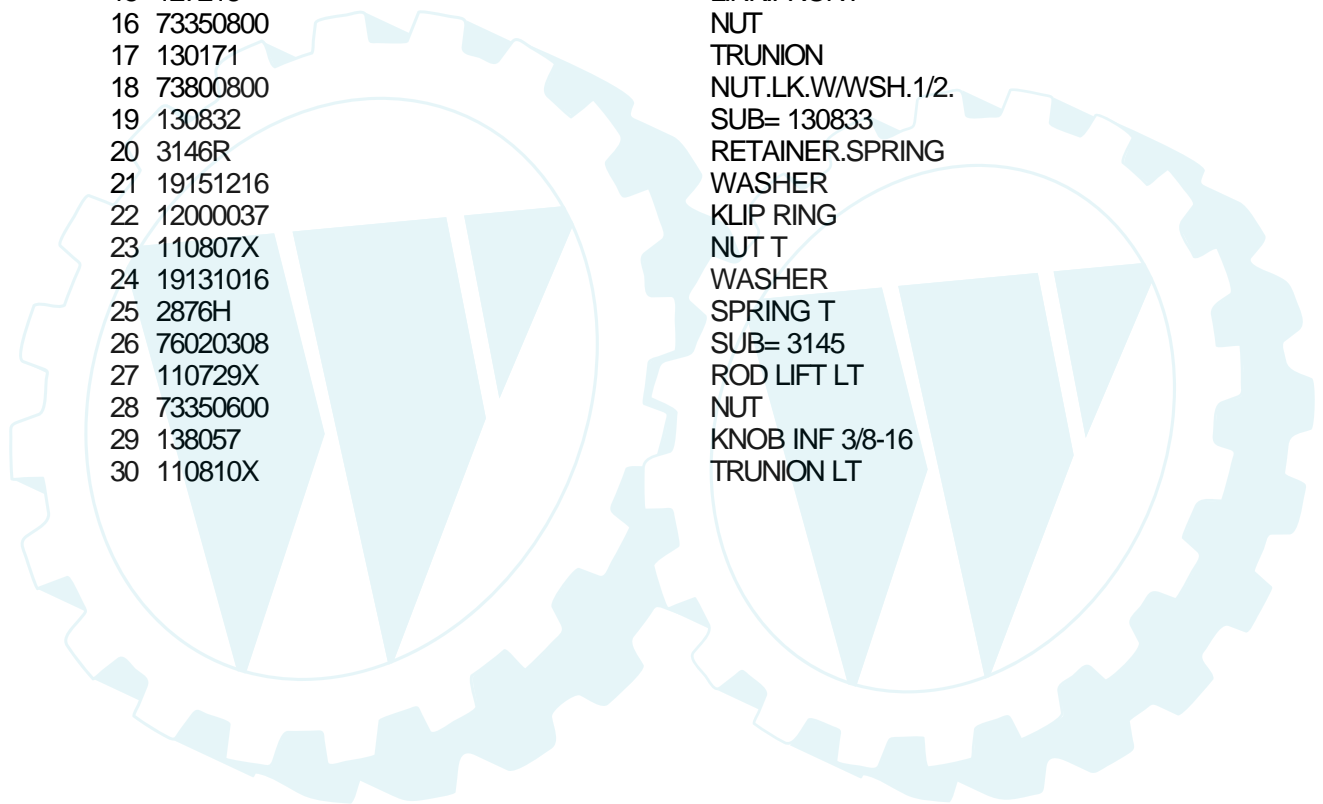
Ref #	Part Number	Qty	Description
1	137214		CONTROLTHROTTL
2	17720410		SCREW LT
3			CHECK WITH SUPPLIER
7	136216		"TUBE,MANIFOLD RH"
8	136215		"TUBE,MANIFOLD LH"
9	13280336		PIPE NIPPLE LT
10	13200300		ELBOW
11	11050600		LOCKWASHER
12	17490624		SCREW LT
13	137978		SUB= 149723
14	17190408		SCREW ST
15	17490512		SCREW
16	19131614		WASHER
17	122439X		BRACKET MUFFLER
18	128199		SUB= 145552
21	136360		STRAP ASM. F.TANK
23	123803X		"STRAP,TANK"
24	17490608		SCREW LT
25	128953		HEAT SHIELD
26	17021008		SCREW
29	132922		SPARK ARREST KIT
30	127813		SUB= 141291
31	123487X		HOSE CLAMP
32	123549X		SUB= 158990
33	5277J		SUB= 8543R
34	126564X		"STRIP,FORM"
37			CHECK WITH SUPPLIER
41	74570512		SCREW
42	10040500		LOCKWASHER

16 HP 42" TRACTOR - - MODEL NUMBER Y1642B

LIFT

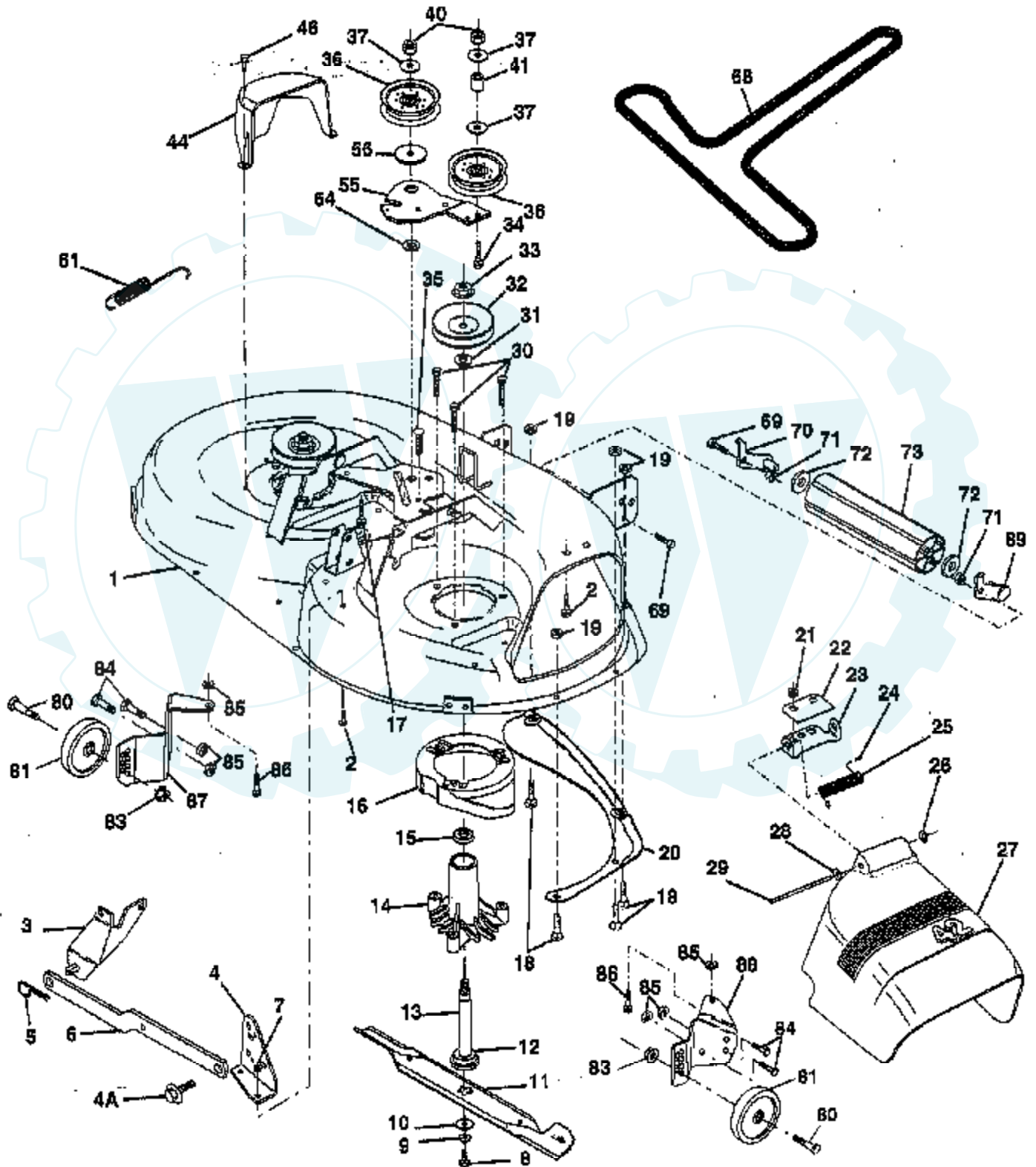


Ref #	Part Number	Qty	Description
1	136971		WIRE.ASM.INNER
2	136969		SHAFT.ASM.LIFT.RH
3	138284		PIN GROOVE
4	12000002		SUB= 2225J
5	19211416		WASHER
6	120183X		NYLON BEARING
7	109413X		GRIP
8	124526X		SUB= 125925X
10	122512X		SUB= 532122512
11	134619		LINK LIFT LH
12	135388		LIFT LINK RH
13	4939M		SUB= 85902
14	135563		"PIN,SPRING"
15	127218		LINK.FRONT
16	73350800		NUT
17	130171		TRUNION
18	73800800		NUT.LK.W/WSH.1/2.
19	130832		SUB= 130833
20	3146R		RETAINER.SPRING
21	19151216		WASHER
22	12000037		KLIP RING
23	110807X		NUT T
24	19131016		WASHER
25	2876H		SPRING T
26	76020308		SUB= 3145
27	110729X		ROD LIFT LT
28	73350600		NUT
29	138057		KNOB INF 3/8-16
30	110810X		TRUNION LT



16 HP 42" TRACTOR - - MODEL NUMBER Y1642B

42" MOWER



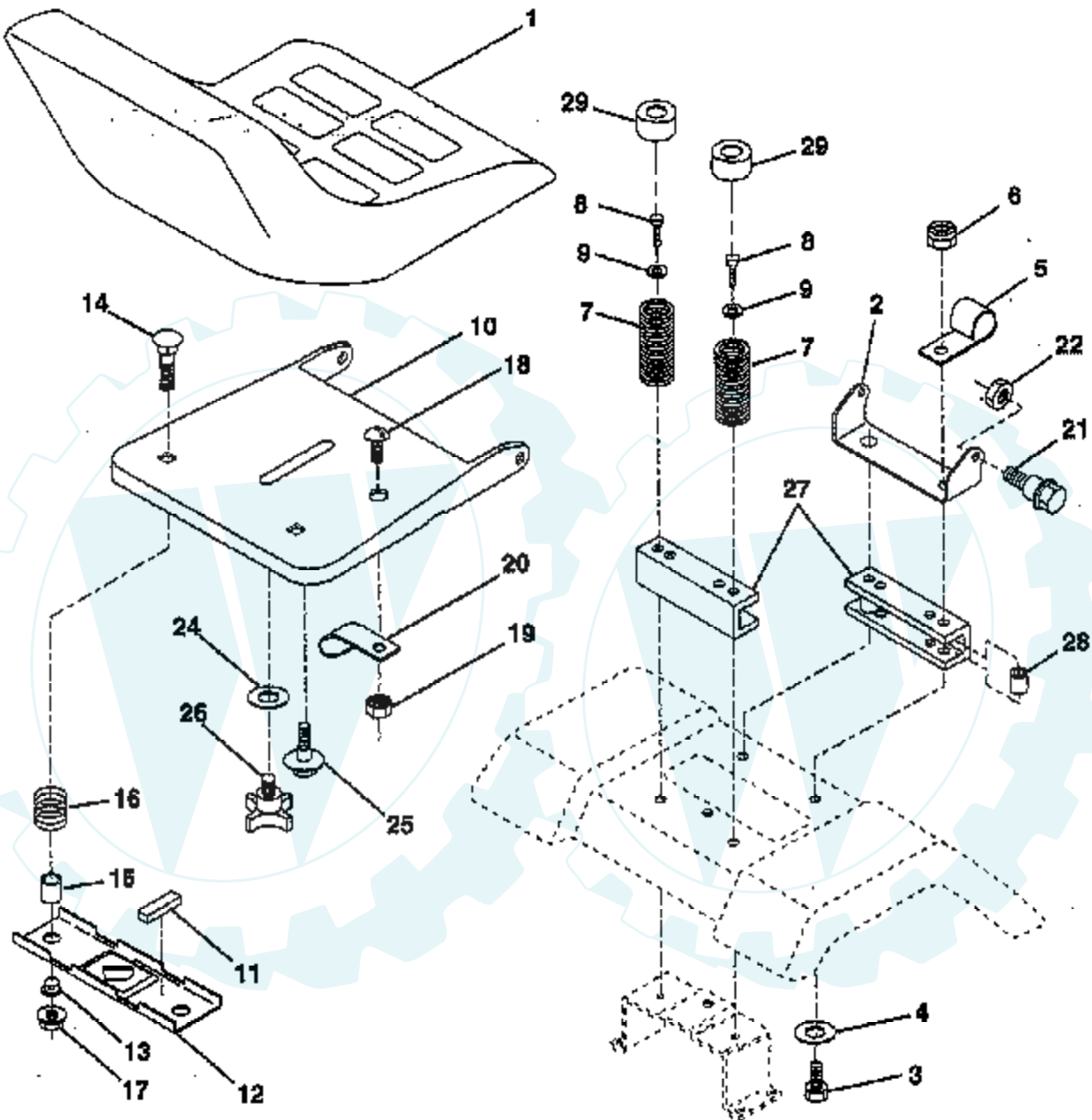
Ref #	Part Number	Qty	Description
1	138024		SUB= 145338
2	72140506		BOLT
3	138017		BRKT ASM SWAY BAR
4	138440		BRKT DECK SW BAR
4A	132827		BOLT SHD 5/16-18
5	4939M		SUB= 85902
6	130832		SUB= 130833
7	73800500		NUT
8	850857		BLADE BOLT
9	10030600		SUB= 10040600
10	129962		WASHER BLADE
11	138498		"BLADE.42"" HIPERF"
12	129895		BEARING.BALL
13	137645		SUB= 137646
14	128774		HSG ASM MANDREL
15	110485X		BEARING
16	136929		SUB= 140329
17	72110616		BOLT
18	72140505		BOLT
19	73800500		NUT
20	136888		SUB= 918136888
21	73680500		SUB= 73690500
22	134753		STIFFENER BRKT
23	131267		DEFLECTOR BRKT
24	105304X		CAP-SLEEVE LT
25	123713X		SPRING TORSION
26	110452X		NUT PUSH M
27	130968		DEFLECTOR.SHIELD
28	19111016		WASHER
29	131491		HINGE ROD
30	78158		SUB= 17580520
31	129963		WASHER
32	129861		SUB= 153535
33	137266		SUB= 139729
34	72110622		BOLT
35	133835		XMAS TREE FASTNER
36	131494		FLAT IDLER PULLEY
37	19131316		WASHER
40	73680600		SUB= 73690600
41	132823		SUB= 532132823
44	134236		SUB= 140088
46	137729		SCREW.1/4-20X5/8
54	133943		HARDENED WASHER
55	133844		IDLER ARM
56	122052X		SPACER RETAINER
61	131950		SPRING.EXTENSION
68	130969		BELT-V.92.4.MWR
69	74760616		BOLT
70	132274		SUB= 532132274
71	73680600		SUB= 73690600
72	19171416		WASHER
73	132264		SUB= 532132264
80	4898H		BOLT M
81	105455X		WHEEL.GAGE.BLK.PL
83	73800600		NUT
84	74760512		BOLT
85	73510500		NUT
86	72110504		SUB= 872110504

Ref #	Part Number	Qty	Description
87	132263		SUB= 155197
88	132262		SUB= 155198
89	132273		SUB= 532132273
	138506		SUB= 145452
	130794		MANDREL ASM



16 HP 42" TRACTOR -- MODEL NUMBER Y1642B

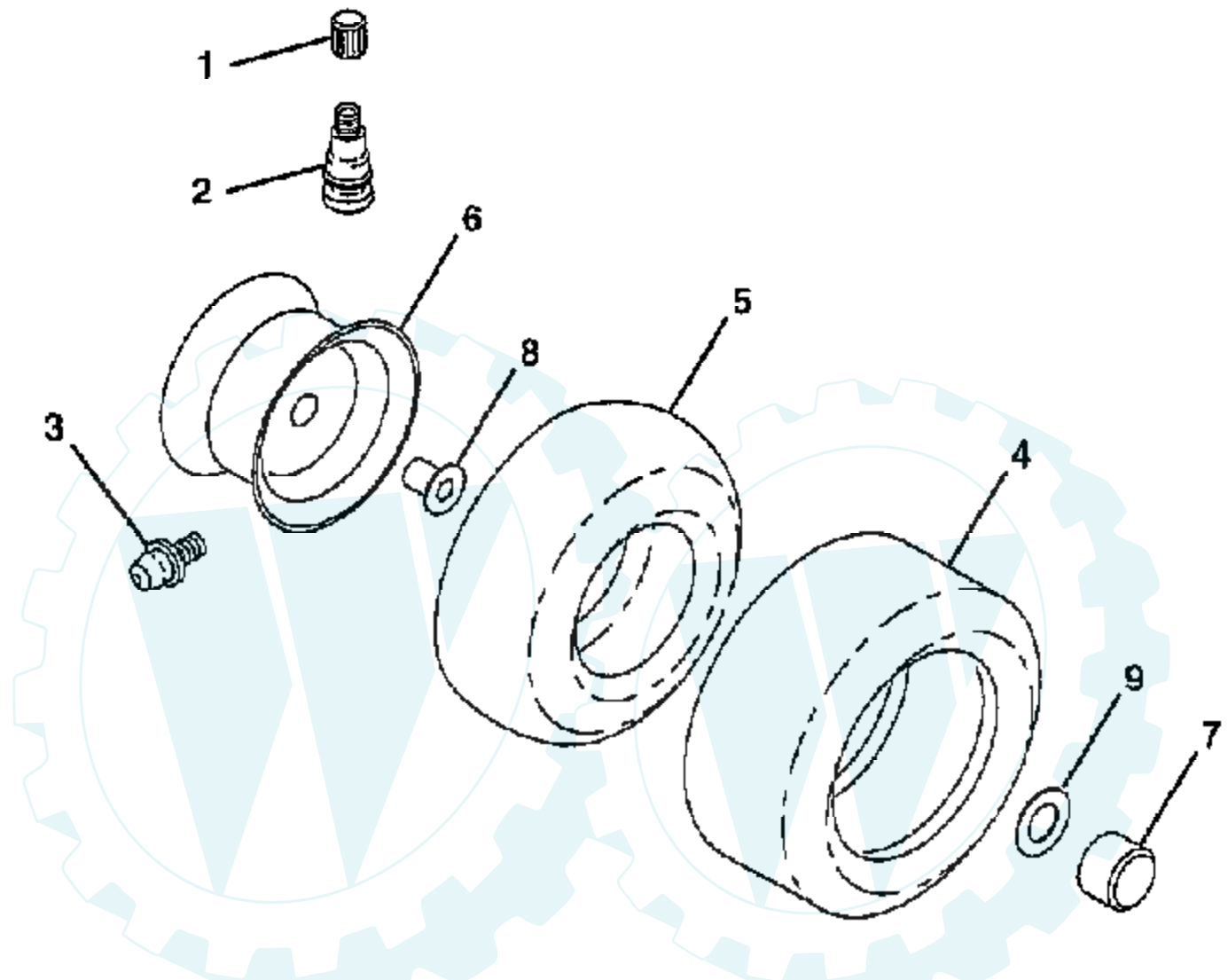
SEAT ASSEMBLY



NOTE: All component dimensions given in U.S. inches
1 inch = 25.4 mm

Ref #	Part Number	Qty	Description
1	127428		SUB= 140119
2	126656X		SUB= 140551
3	74760612		SUB= 74780612
4	19131210		WASHER
5	2751R		CLIP T
6	73680600		SUB= 73690600
7	124181X		SPRING COMPRESSIO
8	17490640		SCREW
9	19131614		WASHER
10	131451		SUB= 155925
11	121251X		STRIP FORM
12	121246X		BRKT SWITCH
13	121248X		BUSHING
14	72050411		SUB= 872050411
15	134300		SPLIT SPACER
16	121250X		SPRING
17	123976X		SUB= 73900400
18	74641008		SUB= 71031008
19	73951000		"NUT,KEPS"
20	4171R		CLIP T
21	105529X		SUB= 139888
22	73680500		SUB= 73690500
24	19171912		WASHER
25	127018X		"BOLT,SHOULDER"
26	120068X		"KNOB 1/2" YT"
27	131772		SEAT SPACER
28	131771		SPLIT SPACER
29	124238X		CAP SPRING

WHEELS & TIRES



NOTE: All component dimensions given in U.S. inches
1 inch = 25.4 mm

Ref #	Part Number	Qty	Description
1	59192		VALVE CAP
2	65139		VALVE STEM LT
3	138468		TIRE.20X8-8
4	7152J		TUBE.18X9.5-8
5	106108X361		SUB= 106108X417
6	278H		FITTING LT
7	9040H		"FLANGE, BEARING"
8	106732X361		SUB= 106732X417
9	106222X		SUB= 122073X
10	59904		TUBE.5.3/4.5/6
11	104757X		HUB CAP

