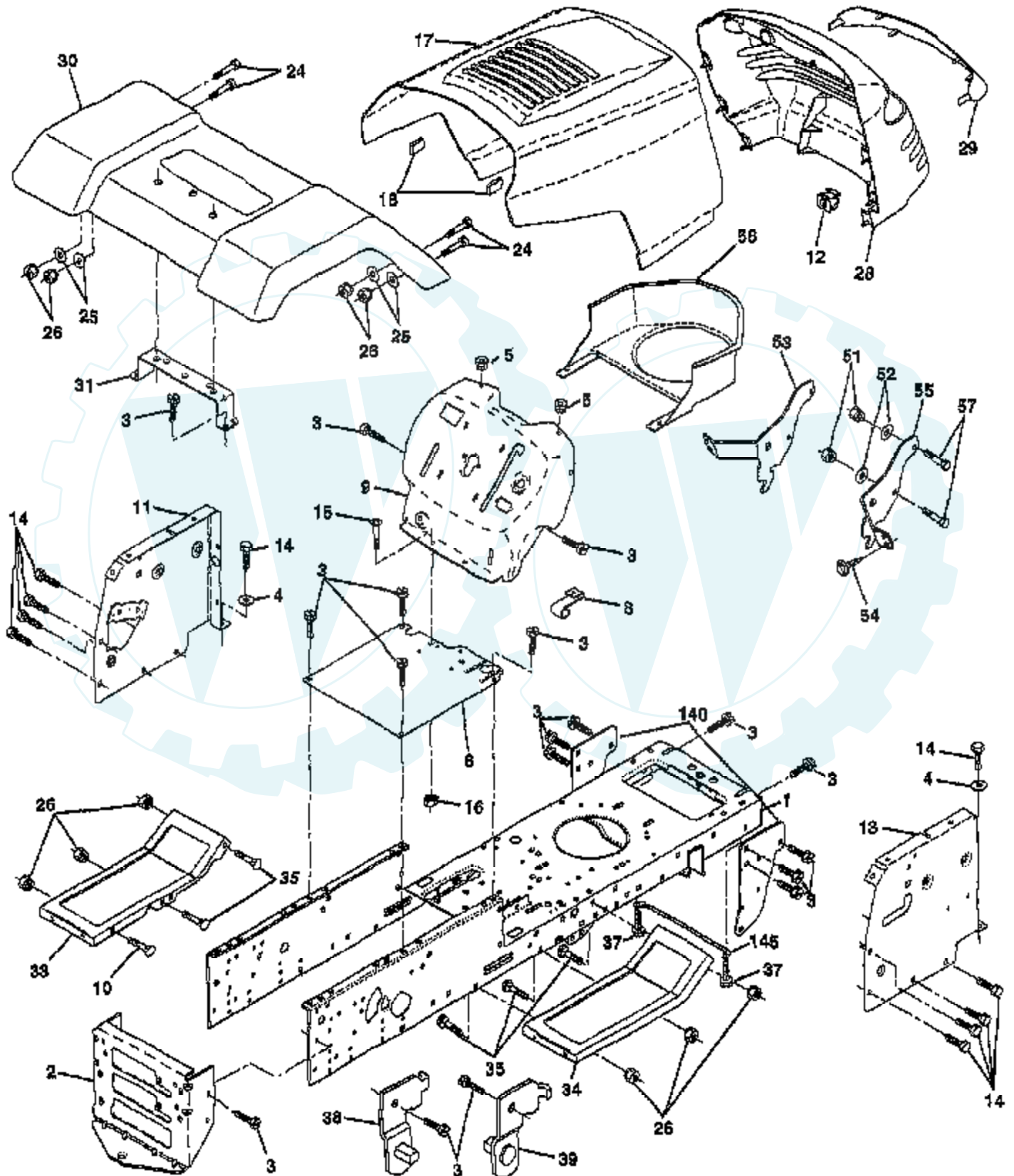


TRACTOR - - MODEL NUMBER Y1242C

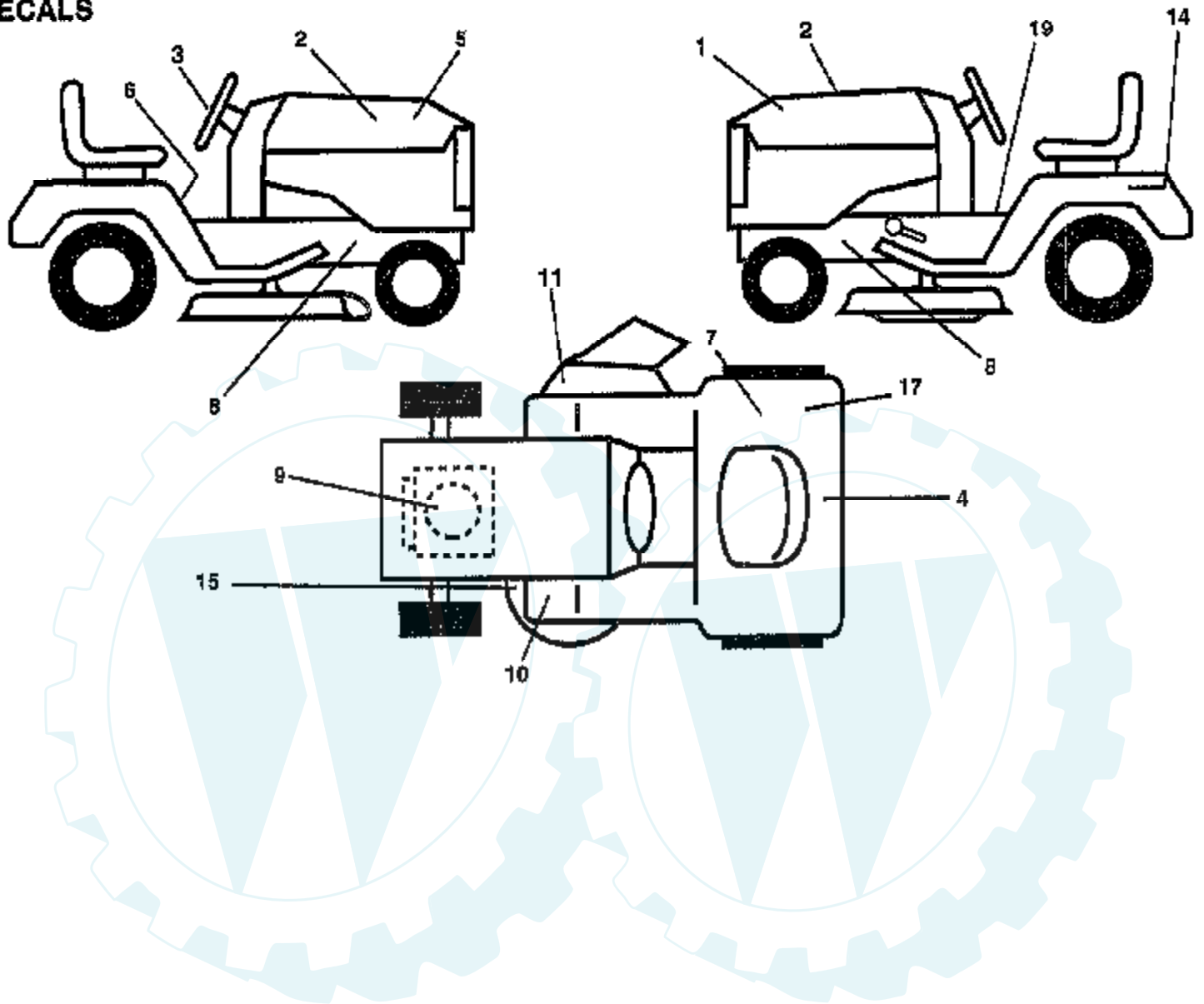
CHASSIS AND ENCLOSURES



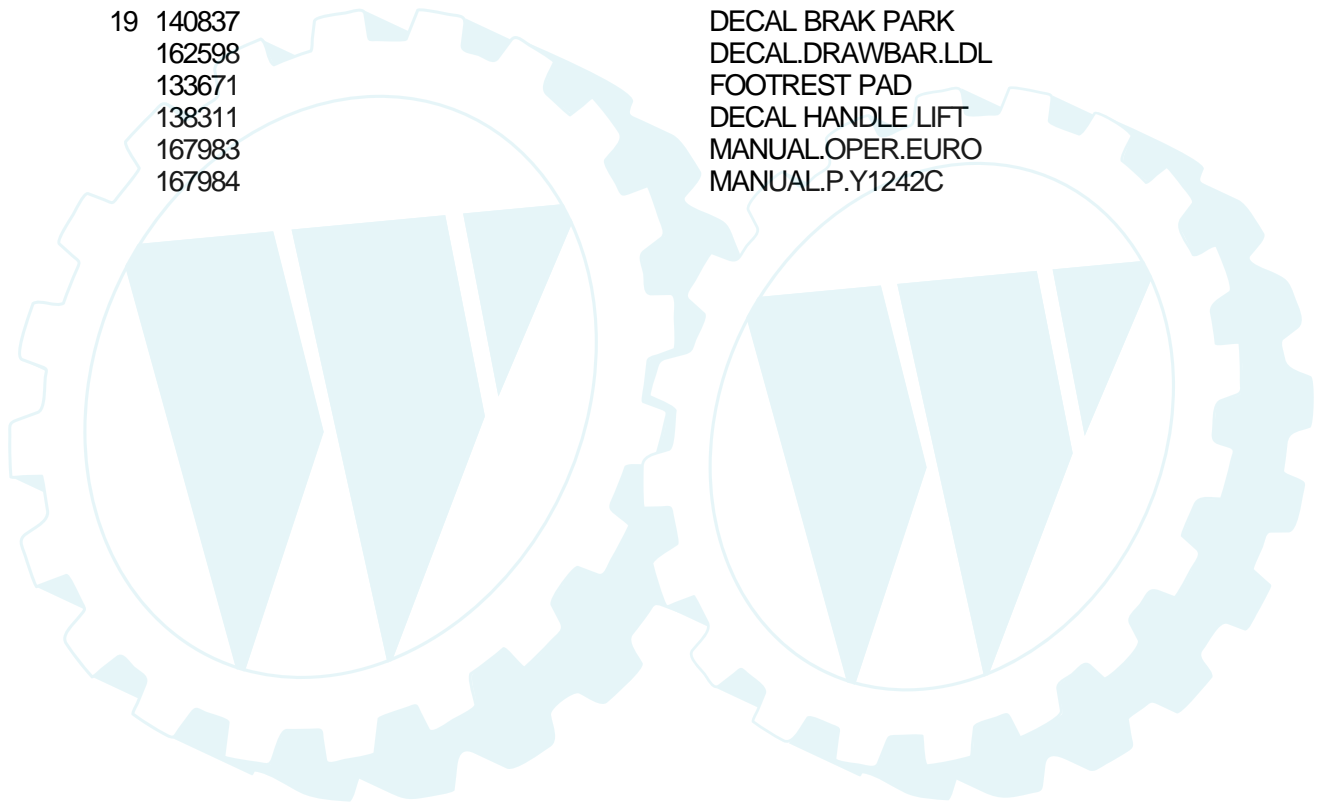
Ref #	Part Number	Qty	Description
1	165480		CHASSIS.STAMPING
2	140356		SUB= 145009
3	17490612		SCREW
4	19131216		WASHER
5	155272		BUMPER-HOOD/DASH
6	155924X011		SADDLE-SILKSCREEN
8	155138		CLIP.RETAINER
9	161937X011		DASH SILKSCREEN
10	72140608		SUB= 72110608
11	155927		"PANEL-DASH,LH"
12	145660		CLIP.TINNERMAN
13	155934X010		SUB= 169117X010
14	17490608		SCREW LT
15	74180512		SCREW
16	73510500		NUT
17	159639X505		HOOD.STEEL.ASSY
18	126938X		SUB= 532126938
24	74780616		BOLT
25	19131312		WASHER
26	73800600		NUT
28	157373		GRILLE-MS428
29	140273X599		LENS.GRILLE.PRIVATE LABEL
30	157584X505		FENDER BRACKET
31	136619		BRKT FENDER
33	145244X505		FOOTREST.LH.LT/GT
34	145243X505		FOOTREST.RH.LT/GT
35	72110606		BOLT
37	17490508		SCREW LT
38	139886		BRACKET ASM LH
39	139887		BRACKET ASM RH
51	73800400		NUT
52	19091416		WASHER
53	144697		BRACKET.GRILLE.LH
54	161464		SCREW.HEX.WS.HD
55	144696		BRACKET.GRILLE.RH
57	74780412		SUB= 74780414
58	150127		AIR DUCT
140	158418		BRKT SUSPENSION
145	156524		"ROD POVOT,CHASSIS"
	5479J		PLUG BUTTON T

TRACTOR - - MODEL NUMBER Y1242C

DECALS

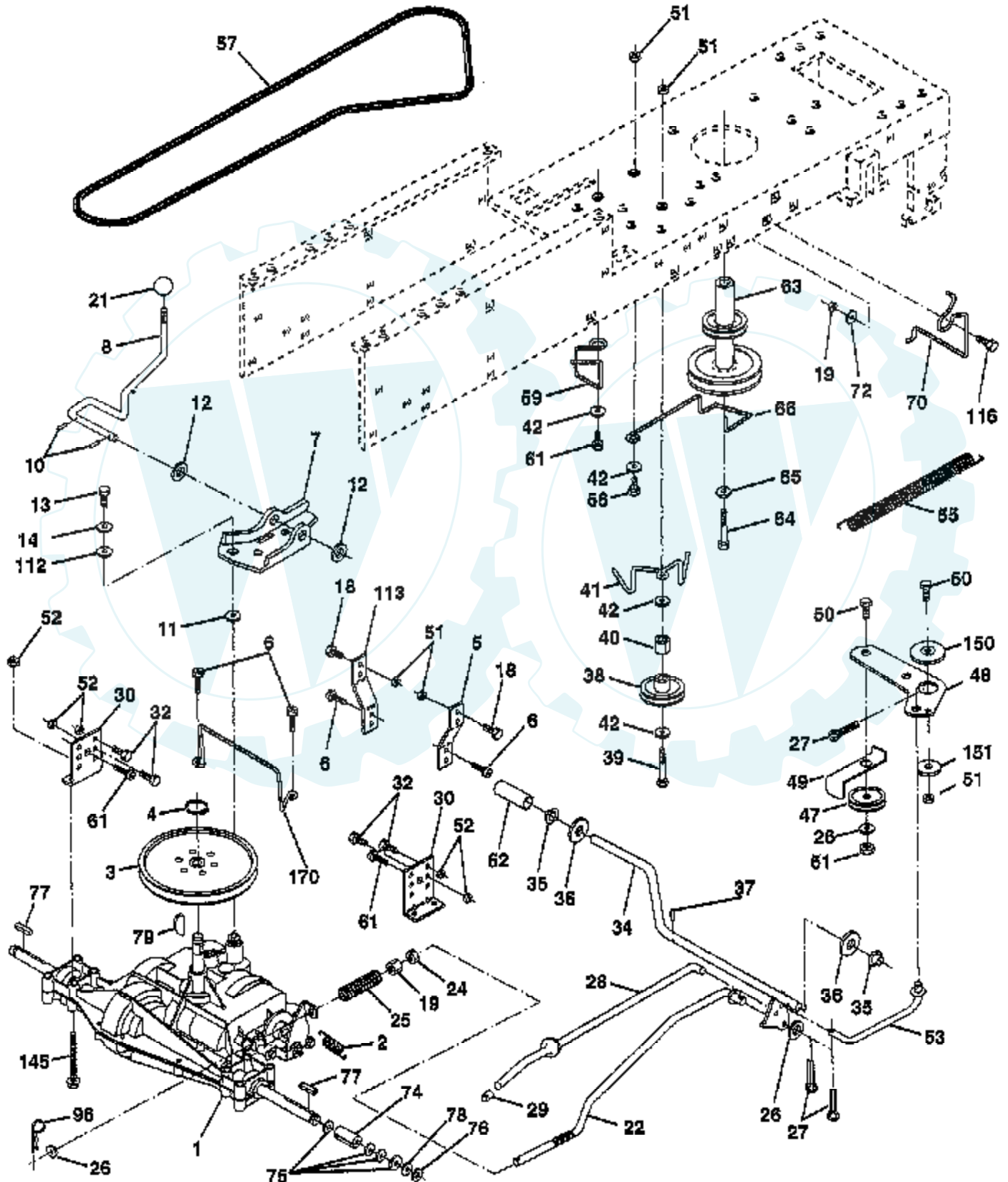


Ref #	Part Number	Qty	Description
1	143336		DECAL.HD.LH.
2	159523		"DECAL PANEL,SIDE"
3	146987		DECAL.INS.STRG.WH
4	123689X		NLA
5	143335		DECAL.HD.RH.
6	145498		DECAL.READ.O.MANU
7	145437		DECAL.EURO.ST.CE.
8	159736		"DECAL CHASSIS,HOT"
9	165297		SUB= 272440
10	159737		DECAL-BRAKE/CLUTC
11	145494		DECAL.DANGER.CUTF
14	145005		DECAL.BATRY.3-3908
15	160396		"DECAL-SCHEM,BELT"
17	126187X		SUB= 532126187
19	140837		DECAL BRAK PARK
	162598		DECAL.DRAWBAR.LDL
	133671		FOOTREST PAD
	138311		DECAL HANDLE LIFT
	167983		MANUAL.OPER.EURO
	167984		MANUAL.P.Y1242C



TRACTOR - - MODEL NUMBER Y1242C

DRIVE



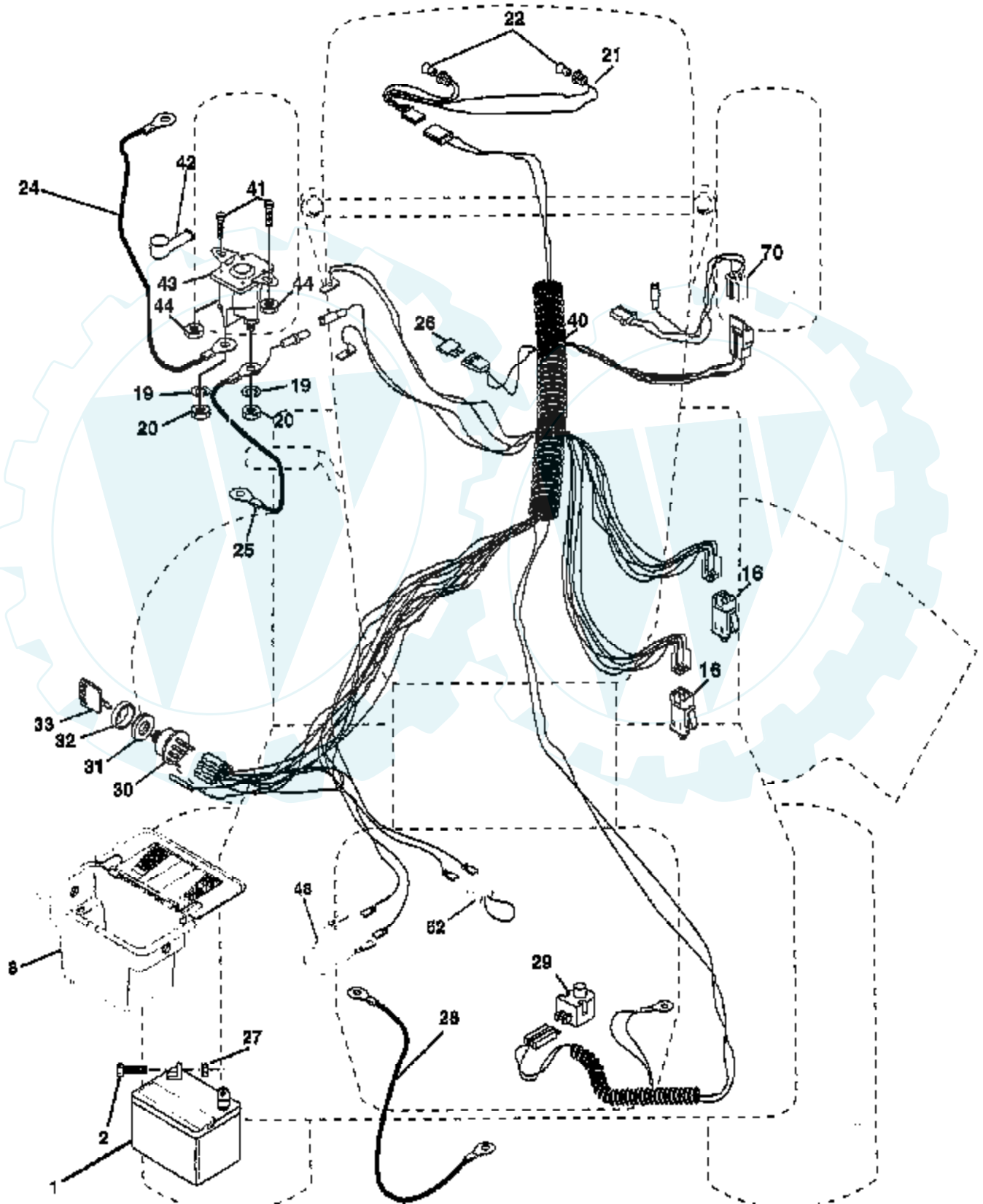
Ref #	Part Number	Qty	Description
1	PARTSIMAGE		REFER TO PARTS IMAGE
1	SUPPLIER		CHECK WITH SUPPLIER
2	146682		SPRING.BRAKE.RETU
3	123666X		PULLEY TRANS
4	12000028		SUB= 2267J
5	121520X		STRAP TORQUE
6	17490512		SCREW
7	162240		BRKT.SADDLE.SHIFT
8	131679		SHIFT ROD
10	76020416		PIN COTTER 1/8
11	105701X		WASH-SHFT PLT LT
12	19151216		WASHER
13	74550412		BOLT.1/4-28.W/PAT
14	10040400		LOCKWASHER
18	74780616		BOLT
19	73800600		NUT
21	106933X		KNOB T (1/2-HOLE)
22	130804		BRAKE ROD
24	73350600		NUT
25	106888X		SPRING ROD LT
26	19131316		WASHER
27	76020412		COTTER PIN
28	145204		ROD.BRAKE.PARK.LT
29	71673		PLUNGER CAP T
30	130807		TRANSAXLE MTG BKT
32	74760512		BOLT
34	155071		SHAFT ASM-PEDAL F
35	120183X		NYLON BEARING
36	19211616		WASHER LT
37	1572H		SUB= 2882J
38	131494		FLAT IDLER PULLEY
39	74760644		BOLT
40	4470J		SPACER T
41	165838		"KEEPER,BELT.IDLER FLAT"
42	19131312		WASHER
47	127783		SUB= 139245
48	154407		BELLCRANK.CLUTCH
49	123205X		RETAIN BELT
50	74760624		SUB= 74930624
51	73680600		SUB= 73690600
52	73680500		SUB= 73690500
53	105710X		"LINK, CLUTCH T"
55	105709X		"SPRING, RETURN LT"
56	74760620		SUB= 74780620
57	130801		SUB= 138255
59	140312		KEEPER BELT CNTSP
61	17490612		SCREW
62	8883R		PEDAL COVER T
63	140186		PULLEY.ENGINE
64	71170764		BOLT
65	10040700		LOCKWASHER
66	154778		KEEPER-BELT
70	134683		KEEPER BELT ENG
72	19132012		WASHER
74	137057		SPACER AXLE
75	121749X		WASHER
76	12000001		E-RING LT
77	123583X		SQUARE KEY

Ref #	Part Number	Qty	Description
78	121748X		WASHER
79	2228M		SUB= 2228M1
96	4497H		RETAINER M
112	19091210		WASHER LT
113	127285X		"STRAP,TORQUE"
116	72110610		BOLT RDHD 3/8-16
145	74490540		BOLT.HEX.FLGHD
150	165850		BUSHING.BELLCRANK.GRD.DR
151	19133210		WASHER
170	165849		KEEPER.BELT.TRANSAXLE



TRACTOR -- MODEL NUMBER Y1242C

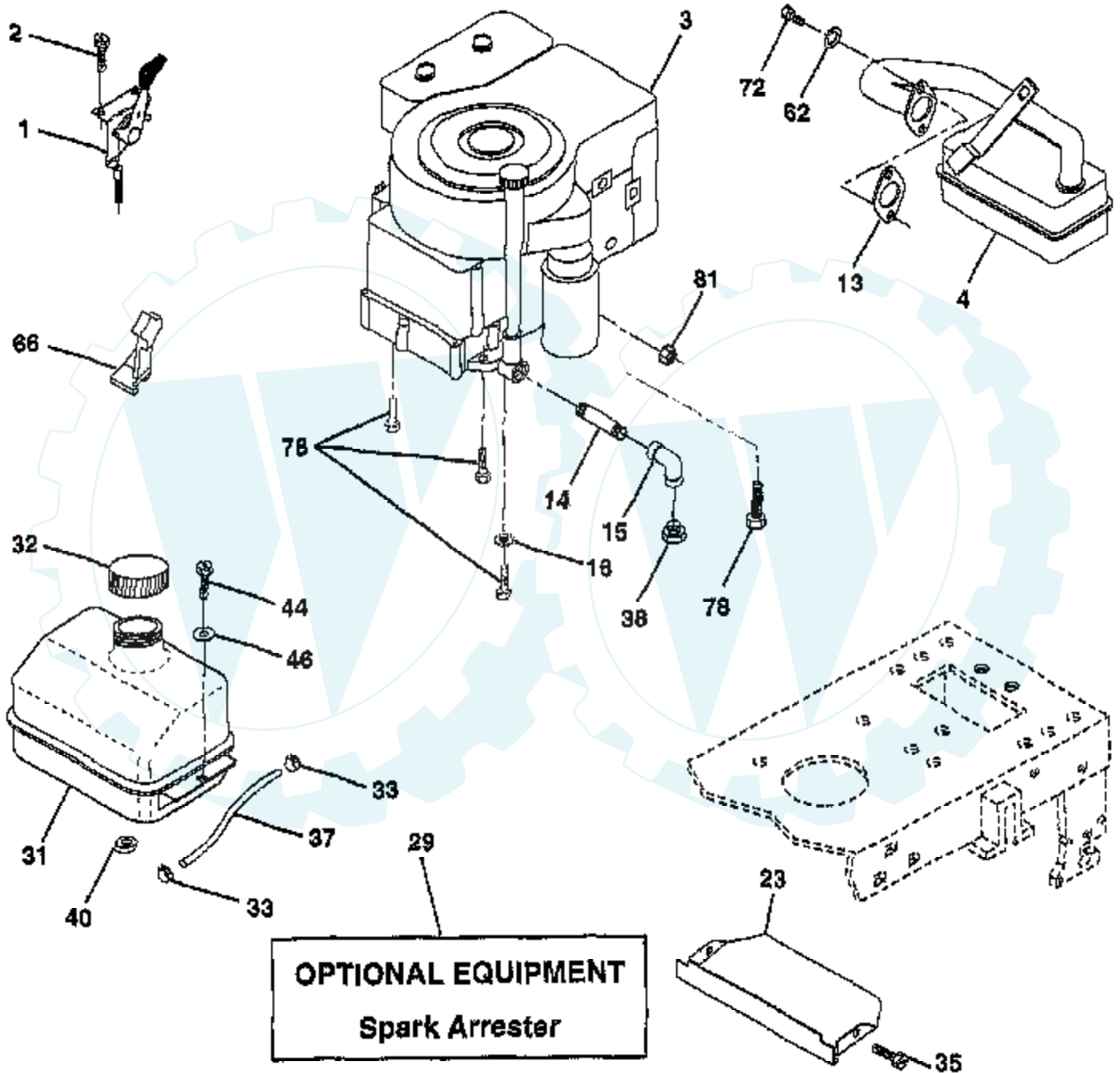
ELECTRICAL



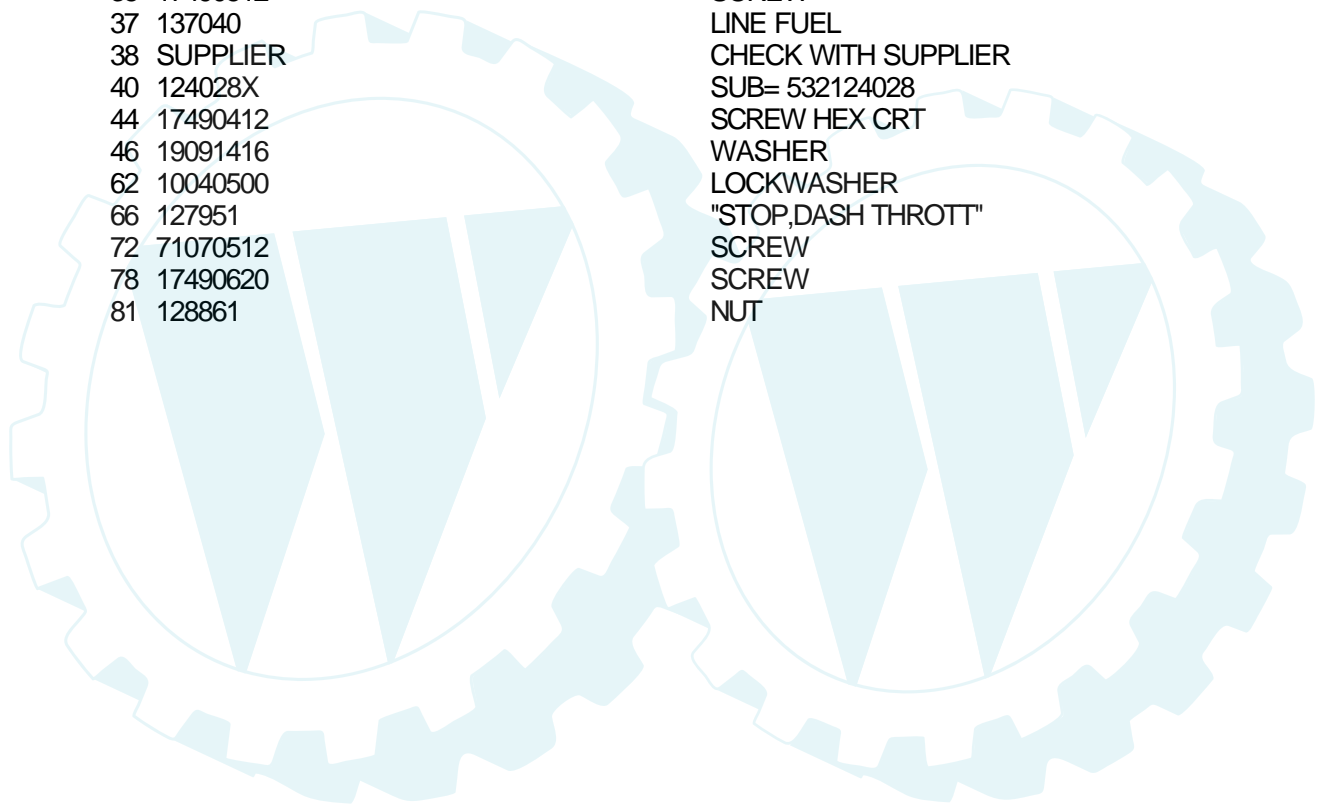
Ref #	Part Number	Qty	Description
1	144925		SUB= 123899X
2	74760412		BOLT LT
8	156417		"CASE,BATTERY.MECH"
16	153664		SWITCH INTERLOCK
19	10090400		SUB= 10040400
20	73350400		NUT
21	166181		HARNES.ASM.LIGHT W/4152J
22	4152J		HEADLAMP BULB
24	4799J		"CABLE T, BATTERY"
25	146147		CABLE.BTRY.6GA.RD
26	166180		FUSE.15 AMP
27	73510400		NUT
28	4207J		CABLE T
29	121305X		SWITCH SEAT
30	140301		SWITCH IGN 4POS
31	124211X		NUT IGNITION
32	141226		COVER KEY SWITCH
33	122147X		KEY
40	166145		HARNES.IGNITION
41	71110408		BOLT HXHD FIN
42	131563		SUB= 154336
43	145673		SUB= 146154
44	73640400		NUT HXKEP 1/4X20
48	140844		ADAPTER AMMETER
52	141940		PROTECTION LOOP
70	166658		HARNES.ENGINE

TRACTOR -- MODEL NUMBER Y1242C

ENGINE

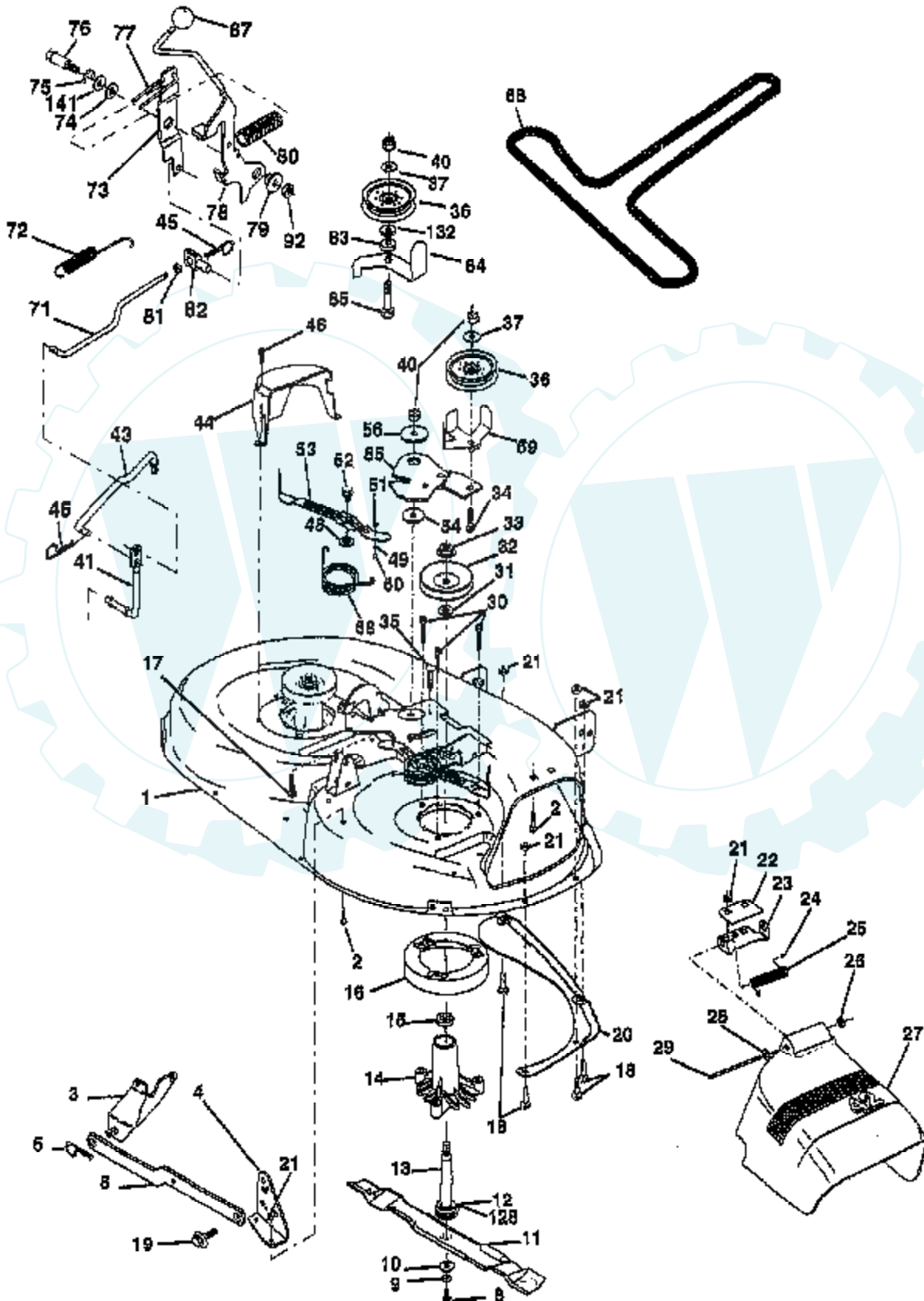


Ref #	Part Number	Qty	Description
1	141359		CONTROL.THTL.23.5
2	17720410		SCREW LT
3	SUPPLIER		CHECK WITH SUPPLIER
4	137348		MUFFLER
13	165291		SUB= 272293
14	13280324		PIPE NIPPLE
15	13200300		ELBOW
16	11050600		LOCKWASHER
23	159880		SHIELD.BRN/DBR.GD
29	137180		SUB= 532137180
31	109202X		TANK.FUEL.LT.
32	140527		CAP ASM FUEL
33	123487X		HOSE CLAMP
35	17490512		SCREW
37	137040		LINE FUEL
38	SUPPLIER		CHECK WITH SUPPLIER
40	124028X		SUB= 532124028
44	17490412		SCREW HEX CRT
46	19091416		WASHER
62	10040500		LOCKWASHER
66	127951		"STOP,DASH THROTT"
72	71070512		SCREW
78	17490620		SCREW
81	128861		NUT



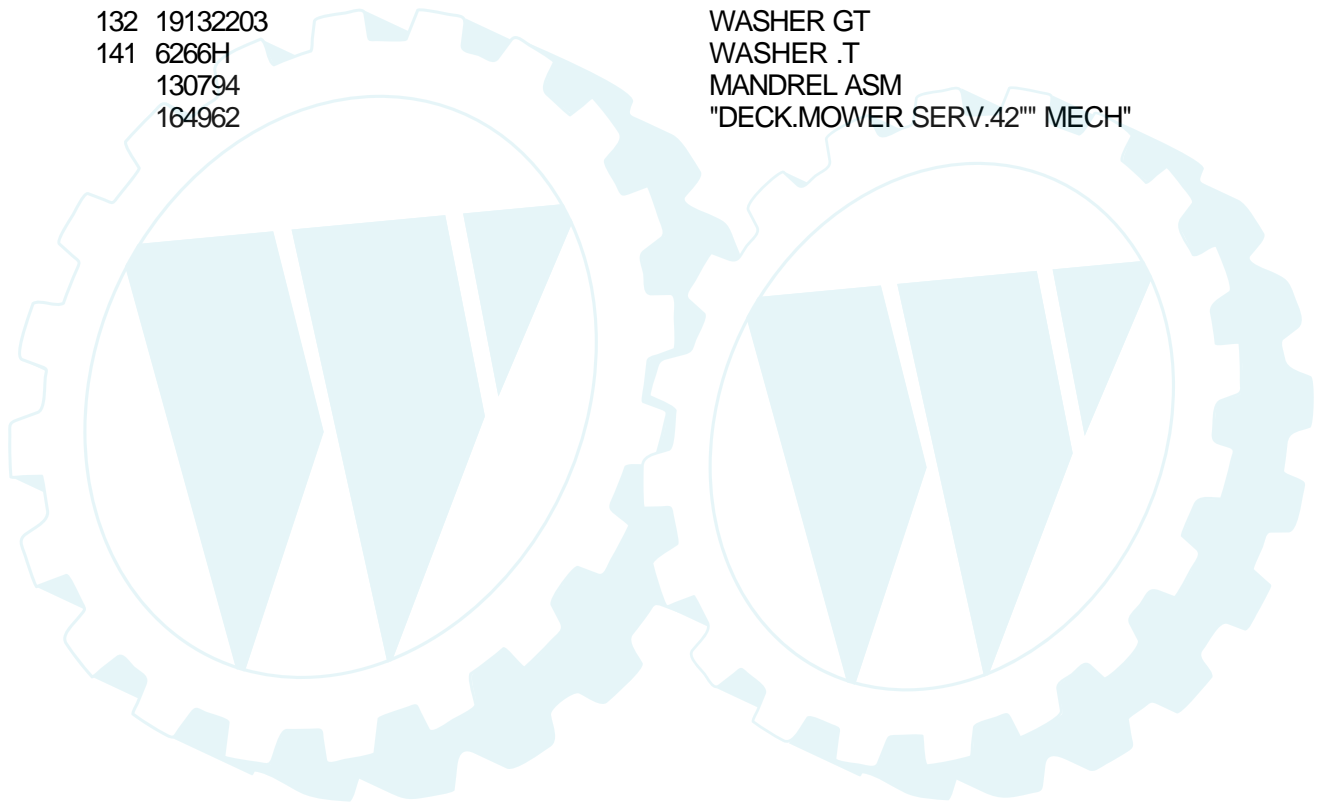
TRACTOR -- MODEL NUMBER Y1242C

MOWER DECK



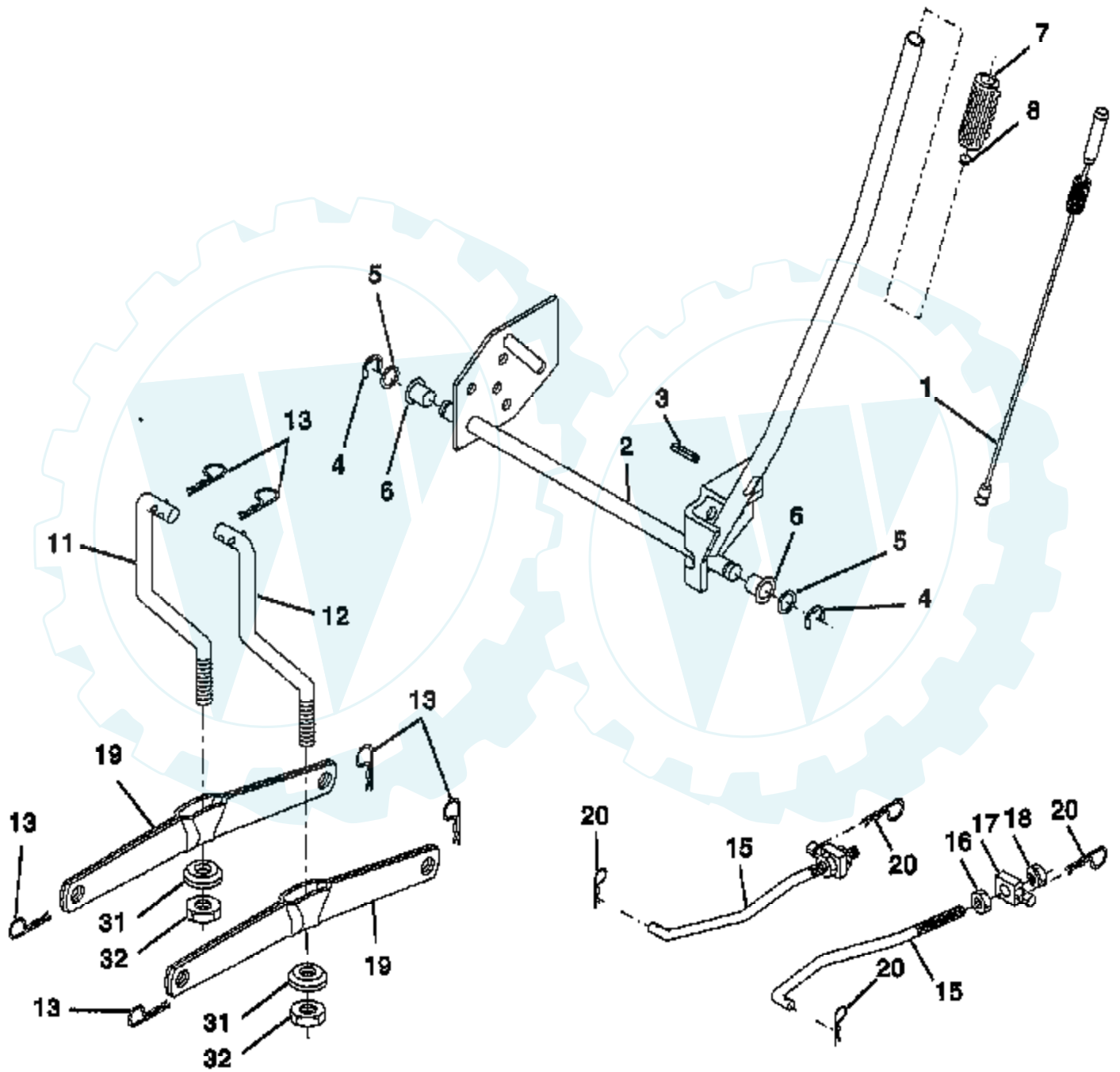
Ref #	Part Number	Qty	Description
1	164961		"HOUSING ASSY.42""
2	72140506		BOLT
3	138017		BRKT ASM SWAY BAR
4	138440		BRKT DECK SW BAR
5	4939M		SUB= 85902
6	130832		SUB= 130833
8	850857		BLADE BOLT
9	10030600		SUB= 10040600
10	140296		WASHER.HARD.BLADE
11	138498		"BLADE.42"" HIPERF"
12	129895		BEARING.BALL
13	137645		SUB= 137646
14	128774		HSG ASM MANDREL
15	110485X		BEARING
16	140329		STRIPPER RND MWR
17	72110610		BOLT RDHD 3/8-16
18	72140505		BOLT
19	132827		BOLT SHD 5/16-18
20	159770		BAFFLE VORTEX 42
21	73580500		NUT
22	134753		STIFFENER BRKT
23	131267		DEFLECTOR BRKT
24	105304X		CAP-SLEEVE LT
25	123713X		SPRING TORSION
26	110452X		NUT PUSH M
27	130968		DEFLECTOR.SHIELD
28	19111016		WASHER
29	131491		HINGE ROD
30	157722		"SCREW-THD ROLL,WA"
31	129963		WASHER
32	153535		PULLEY.MANDREL.42
33	137266		SUB= 139729
34	72110614		BOLT
35	133835		XMAS TREE FASTNER
36	131494		FLAT IDLER PULLEY
37	19131316		WASHER
40	73680600		SUB= 73690600
41	133551		PIVOT ROD
43	140083		ROD CLUTCH W/NIBS
44	140088		GUARD MAND LH BLK
45	4497H		RETAINER M
46	137729		SCREW.1/4-20X5/8
48	133944		HARD SMALL WASHER
49	155066		ROLLER ASM-CAM
50	131340		SHOULDER BOLT
51	69180		LOCKNUT
52	139888		BOLT.SHLD.5/16-18
53	131845		BRAKE PAD ARM ASM
54	133943		HARDENED WASHER
55	155046		ARM-IDLER
56	122052X		SPACER RETAINER
58	140086		SPRING TORSN BRAK
59	141043		GUARD IDLER TUV
67	162132		KNOB.RD.7/16-14
68	144200		BELT.V.T-PATH
71	142427		ROD CLUTCH 38/42
72	131870		RETURN SPRING
73	127847		CLUTCH ARM SECOND

Ref #	Part Number	Qty	Description
74	121748X		WASHER
75	12000029		RING
76	128903		SHOULDER BOLT
77	127845		SPRING KEEPER
78	160570		LEVER.ASM.CLUTCH
79	127498		BUSHING
80	153701		SPRING.CLUTCH.MWR
81	142028		TRUNION ADJ
82	73350600		NUT
83	120958X		WASHER
84	156084		"KEEPER-BELT, FIXED"
85	72140620		BOLT
92	73800600		NUT
128	153390		WASHER.FELT.
132	19132203		WASHER GT
141	6266H		WASHER .T
	130794		MANDREL ASM
	164962		"DECK.MOWER SERV.42"" MECH"

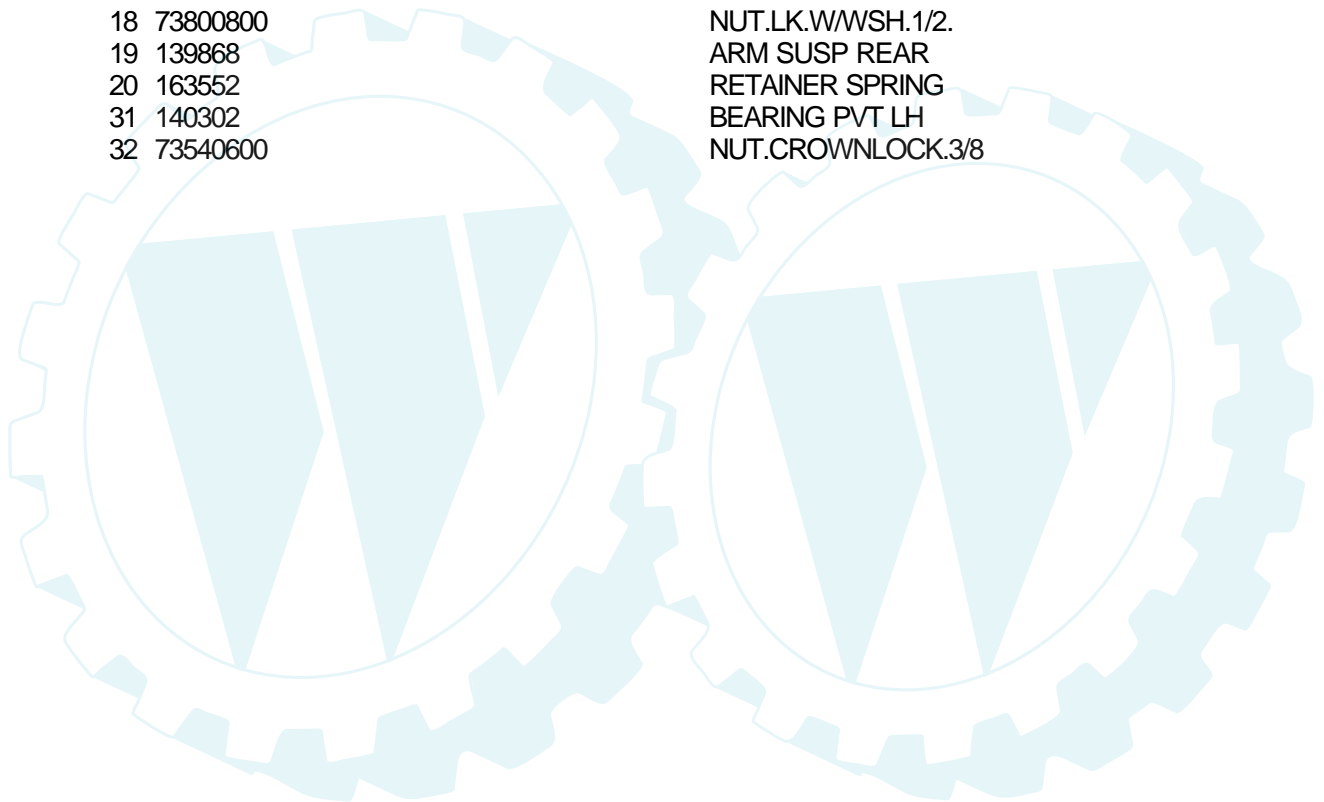


TRACTOR - - MODEL NUMBER Y1242C

MOWER LIFT

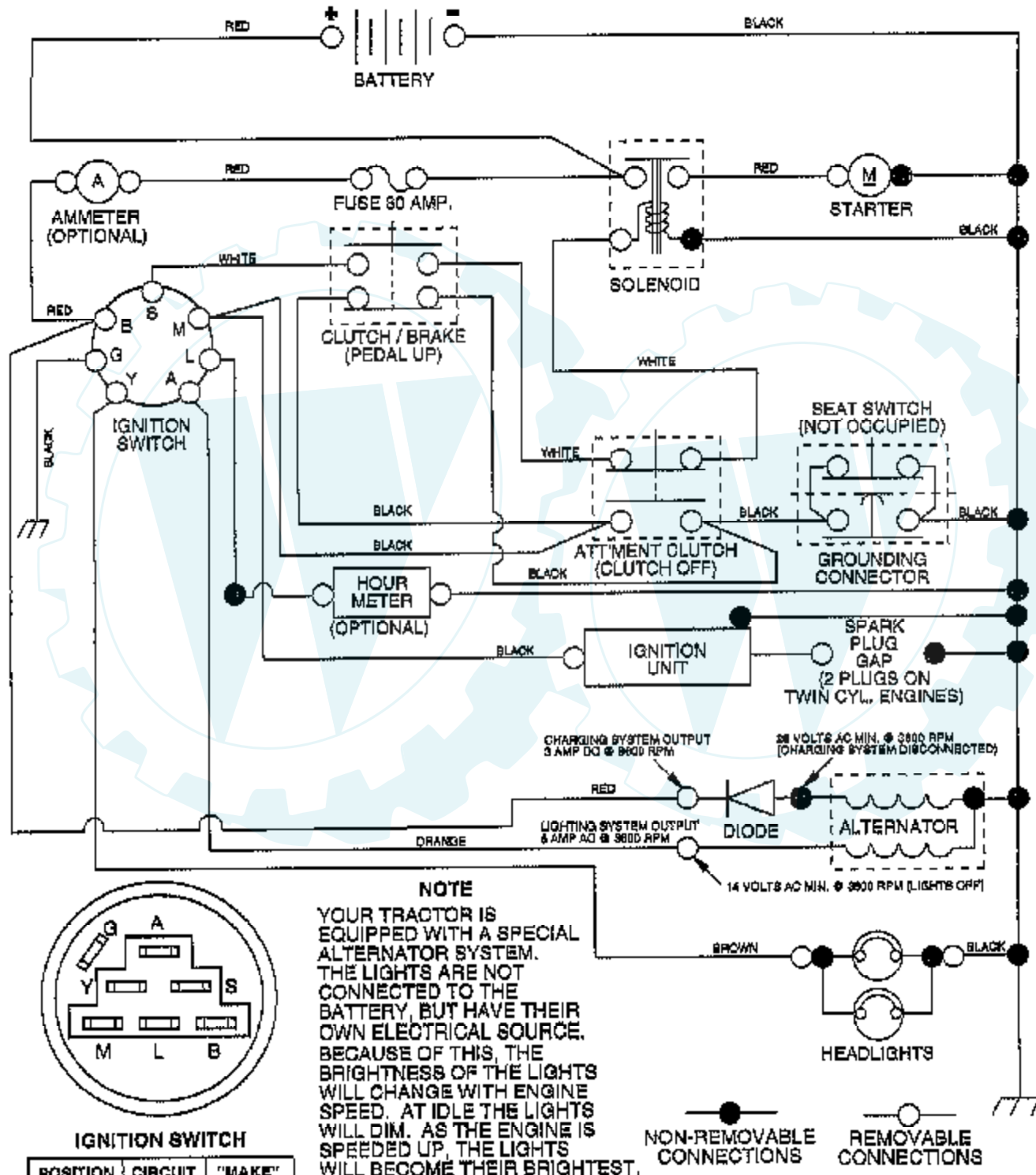


Ref #	Part Number	Qty	Description
1	159460		WIRE ASM W.SPRING
2	159471		"SHAFT ASM LIFT,RH"
3	105767X		PIN-GROOVE LT
4	12000002		SUB= 2225J
5	19211621		WASHER
6	120183X		NYLON BEARING
7	109413X		GRIP
8	124526X		SUB= 125925X
11	139865		SUB= 918139865
12	139866		SUB= 151140
13	4939M		SUB= 85902
15	127218		LINK.FRONT
16	73350800		NUT
17	130171		TRUNION
18	73800800		NUT.LK.W/WSH.1/2.
19	139868		ARM SUSP REAR
20	163552		RETAINER SPRING
31	140302		BEARING PVT LH
32	73540600		NUT.CROWNLOCK.3/8

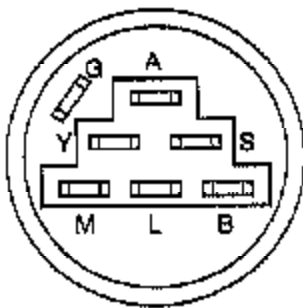


TRACTOR -- MODEL NUMBER Y1242C

SCHEMATIC



NOTE
YOUR TRACTOR IS EQUIPPED WITH A SPECIAL ALTERNATOR SYSTEM. THE LIGHTS ARE NOT CONNECTED TO THE BATTERY, BUT HAVE THEIR OWN ELECTRICAL SOURCE. BECAUSE OF THIS, THE BRIGHTNESS OF THE LIGHTS WILL CHANGE WITH ENGINE SPEED. AT IDLE THE LIGHTS WILL DIM. AS THE ENGINE IS SPEEDED UP, THE LIGHTS WILL BECOME THEIR BRIGHTEST.



IGNITION SWITCH

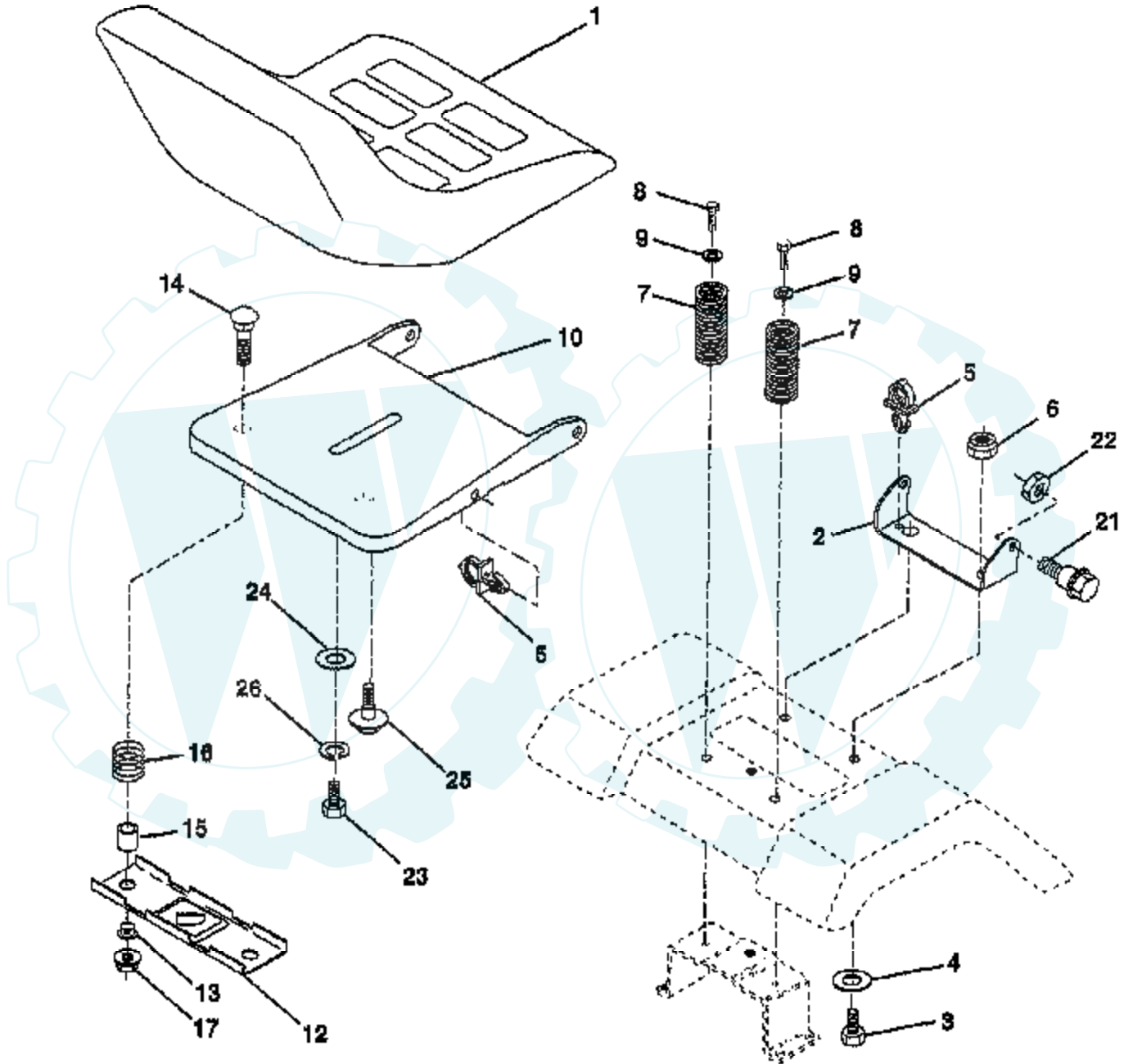
POSITION	CIRCUIT	"MAKE"
OFF	G + M + L	NONE
RUNLIGHT	B + L	A + Y
RUN	B + L	NONE
START	B + L + S	NONE

WIRING INSULATED CLIPS

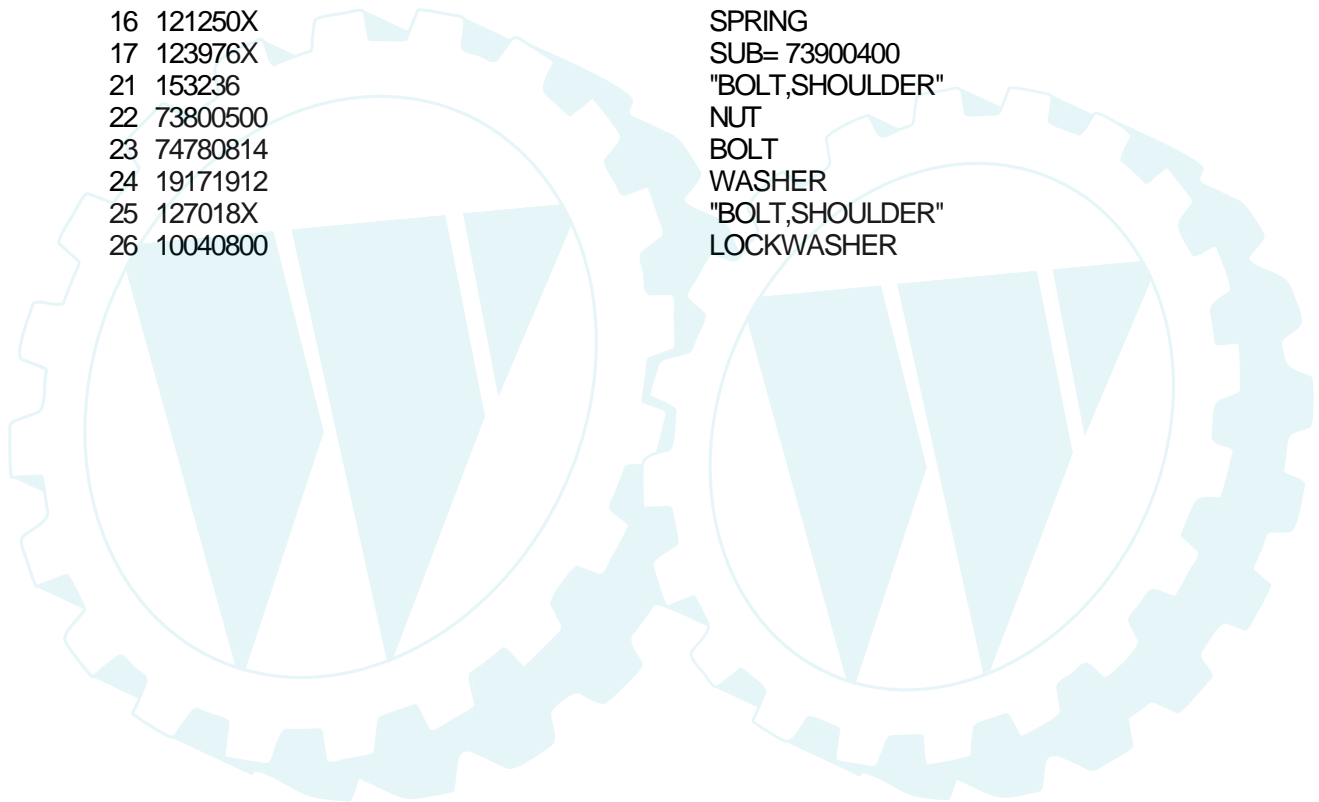
NOTE: IF WIRING INSULATED CLIPS WERE REMOVED FOR SERVICING OF UNIT, THEY SHOULD BE REPLACED TO PROPERLY SECURE YOUR WIRING.

TRACTOR - - MODEL NUMBER Y1242C

SEAT

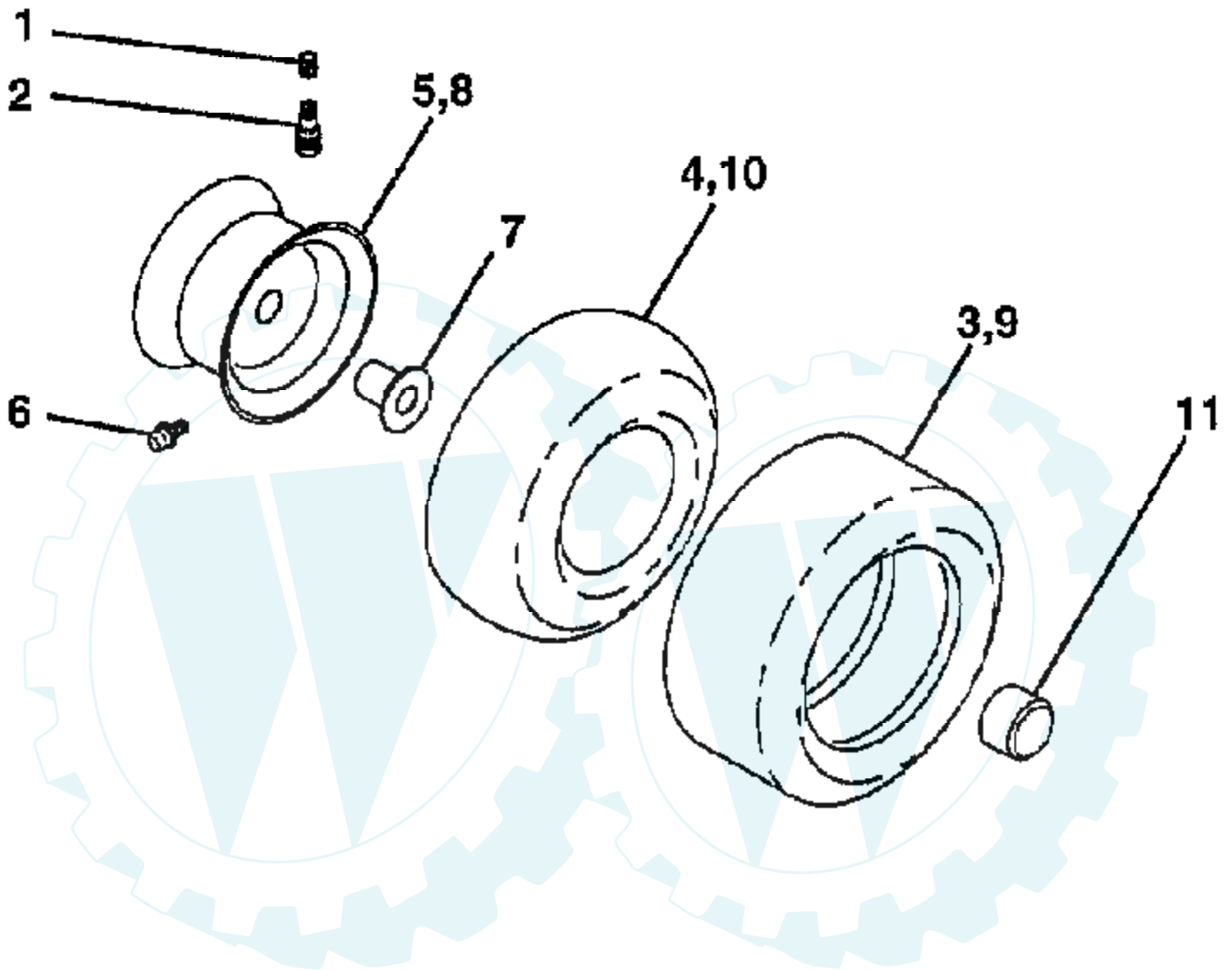


Ref #	Part Number	Qty	Description
1	127426X		SUB= 140119
2	140551		BRACKET PVT SEAT
3	74760616		BOLT
4	19131610		WASHER PM
5	145006		CLIP.PUSH-IN.HING
6	73800600		NUT
7	124181X		SPRING COMPRESSIO
8	17490616		SCREW GTV
9	19131614		WASHER
10	155925		PAN-SEAT
12	121246X		BRKT SWITCH
13	121248X		BUSHING
14	72050412		BOLT-RD HD SQ NK
15	134300		SPLIT SPACER
16	121250X		SPRING
17	123976X		SUB= 73900400
21	153236		"BOLT,SHOULDER"
22	73800500		NUT
23	74780814		BOLT
24	19171912		WASHER
25	127018X		"BOLT,SHOULDER"
26	10040800		LOCKWASHER



Ref #	Part Number	Qty	Description
1	133741		SUB= 150547
2	154427		AXLE ASM
3	156483		SPINDLE.ASM.LH
4	157473		"SPINDLE ASM,RH"
5	6266H		WASHER .T
6	121748X		WASHER
7	19272016		WASHER
8	12000029		RING
9	3366R		COL. SRTG. BEAR.
10	156438		DRAGLINK-STAMPED
11	10040600		LOCKWASHER
13	154779		BEARING AXLE
15	73901000		"NUT-LOC,FLANGE LT"
17	156546		SHAFT ASM STEERIN
18	57079		THRUST WASHER
19	160395		SUPPORT.SHAFT.STEER
22	165857		SCREW.HX.WSH.HD
23	165851		SHAFT.ASM.PITMAN
25	154406		BRKT-STEERING
26	126847X		BUSHING.DRAGLINK
27	136874		GEAR SECTOR
28	19131416		WASHER
29	17490612		SCREW
30	76020412		COTTER PIN
32	130465		TIE ROD
36	155099		BUSHING.STEERING
37	152927		"SCREW-TT,10-32 FL"
38	133742		ST WHL INSERT CAP
39	19133808		WASHER T
40	7810H		GRIPCO NUT
41	100711L		ADAPTER LT
42	145054		BOOT.STEER.PL
43	121749X		WASHER
44	153720		EXT SHAFT STEERIN
46	121232X		CAP
47	6855M		ZERK M
51	73800500		NUT
54	74780520		BOLT
62	167902		KIT.STEER.ASM
63	74780616		BOLT
65	154780		SPACER AXLE
66	154404		"BEARING-ARM,PITMA"
67	74781044		BOLT
68	154429		BRACE AXLE
79	19132012		WASHER
80	74950612		BOLT.HX.NYLON3/8-16X3/

TIRES AND WHEELS



Ref #	Part Number	Qty	Description
1	59192		VALVE CAP
2	65139		VALVE STEM LT
3	106222X		SUB= 122073X
4	PARTSIMAGE		REFER TO PARTS IMAGE
4	59904		TUBE.5.3/4.5/6
5	106732X417		"RIM,FRT T"
6	278H		FITTING LT
7	9040H		"FLANGE, BEARING"
8	106108X417		"RIM 8""
9	124635X		SUB= 126957X
10	PARTSIMAGE		REFER TO PARTS IMAGE
10	7152J		TUBE.18X9.5-8
11	104757X		HUB CAP
	144334		SEALANT.TIRE 10 OZ. TUBE

