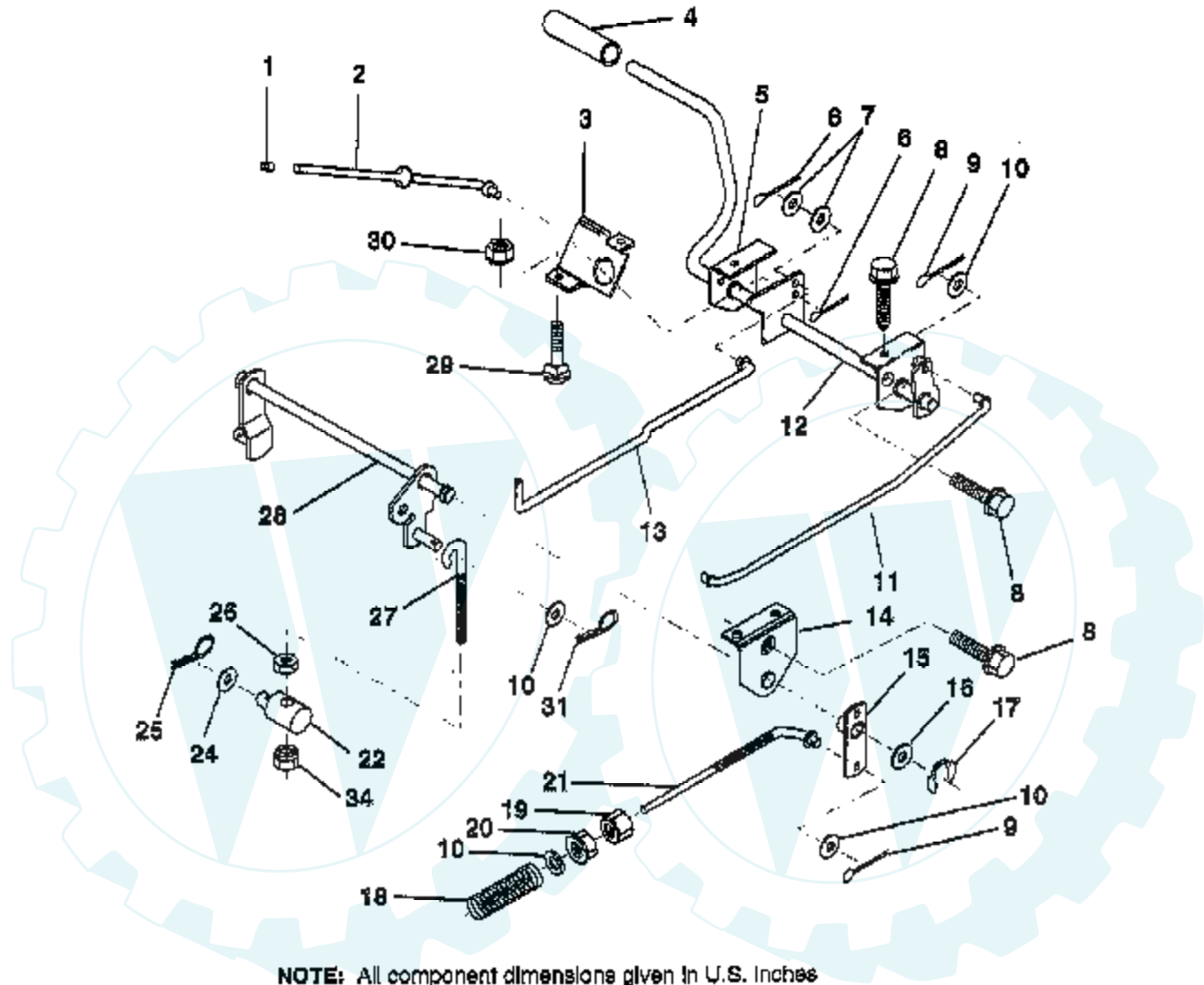


TRACTOR - - MODEL NUMBER WEX12B36A
BRAKE / REAR MOWER LIFT ASSEMBLY



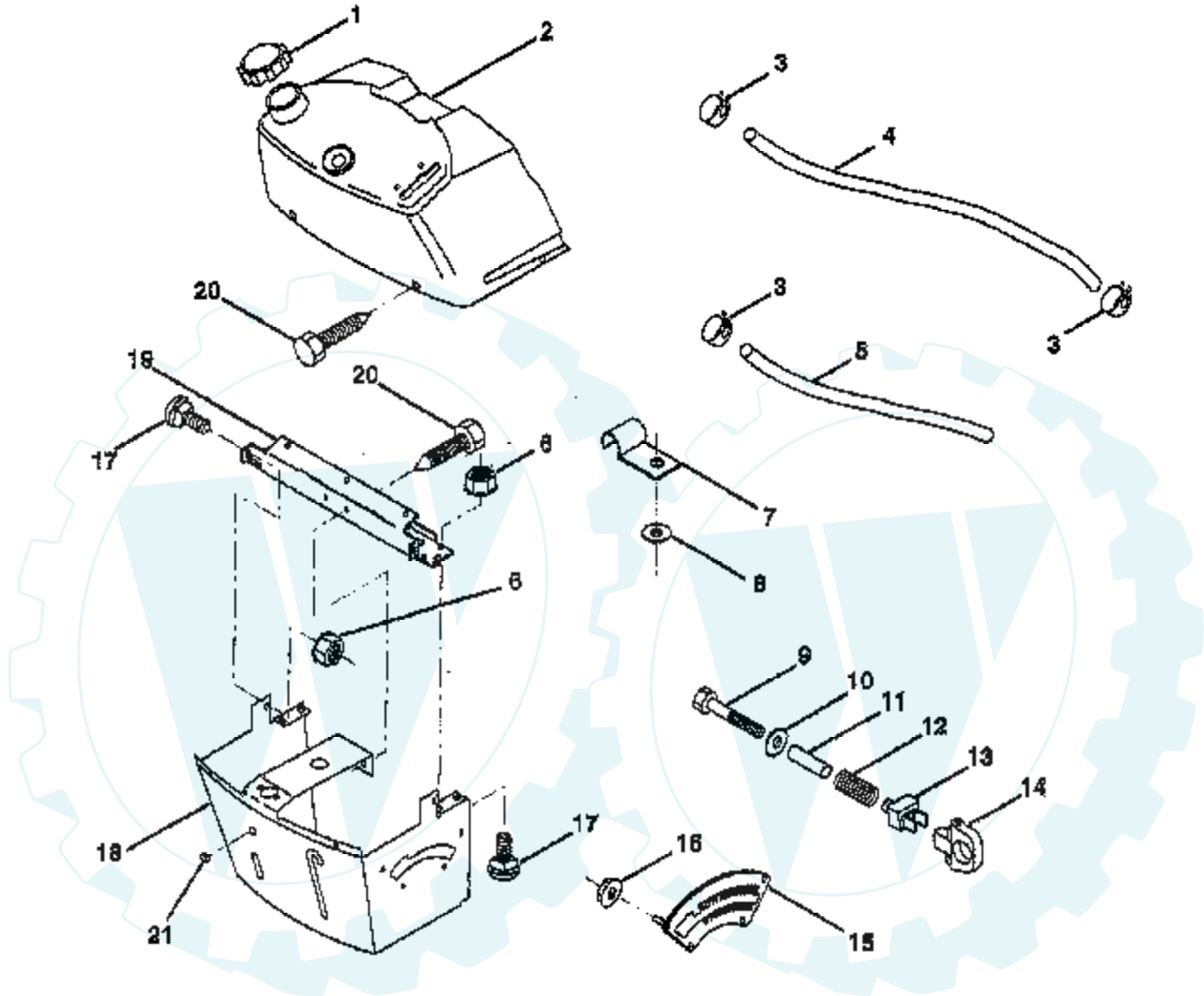
NOTE: All component dimensions given in U.S. Inches
1 Inch = 25.4 mm.

HARDWARE SHOWN LARGER FOR EASIER IDENTIFICATION

Ref #	Part Number	Qty	Description
1	71673		PLUNGER CAP T
2	123436X		"ROD,PARK BRAKE"
3	123437X		"BRKT,PARK BRAKE"
4	8156H		FOOT PEDAL COVER
5	122504X		"BRKT,CLU PEDAL LH"
6	76020312		SUB= 3145
7	19131016		WASHER
8	17490508		SCREW LT
9	76020412		COTTER PIN
10	19131316		WASHER
11	123543X		"ROD,FRT BRAKE"
12	139933		PEDAL ASM CL/BK36
13	123394X		"ROD,CLUTCH"
14	121978X		"BRKT,LIFT SHAFT"
15	133332		PVT BRAKE ARM ASM
16	19251816		WASHER T
17	12000034		KLIP RING
18	151332		SPRING ROD BRAKE
19	73350600		NUT
20	73800600		NUT
21	131460		SUB= 532131460
22	144585		TRUNNION.LIFT.
24	19132012		WASHER
25			CHECK WITH SUPPLIER
26	73930600		LOCKNUT
27	127369		"LINK, MOWER REAR"
28	140776		LIFT ASM MOW REAR
29	72110506		SUB= 72270506
30	73510500		NUT
31	3146R		RETAINER.SPRING
34	73680600		SUB= 73690600

TRACTOR -- MODEL NUMBER WEX12B36A

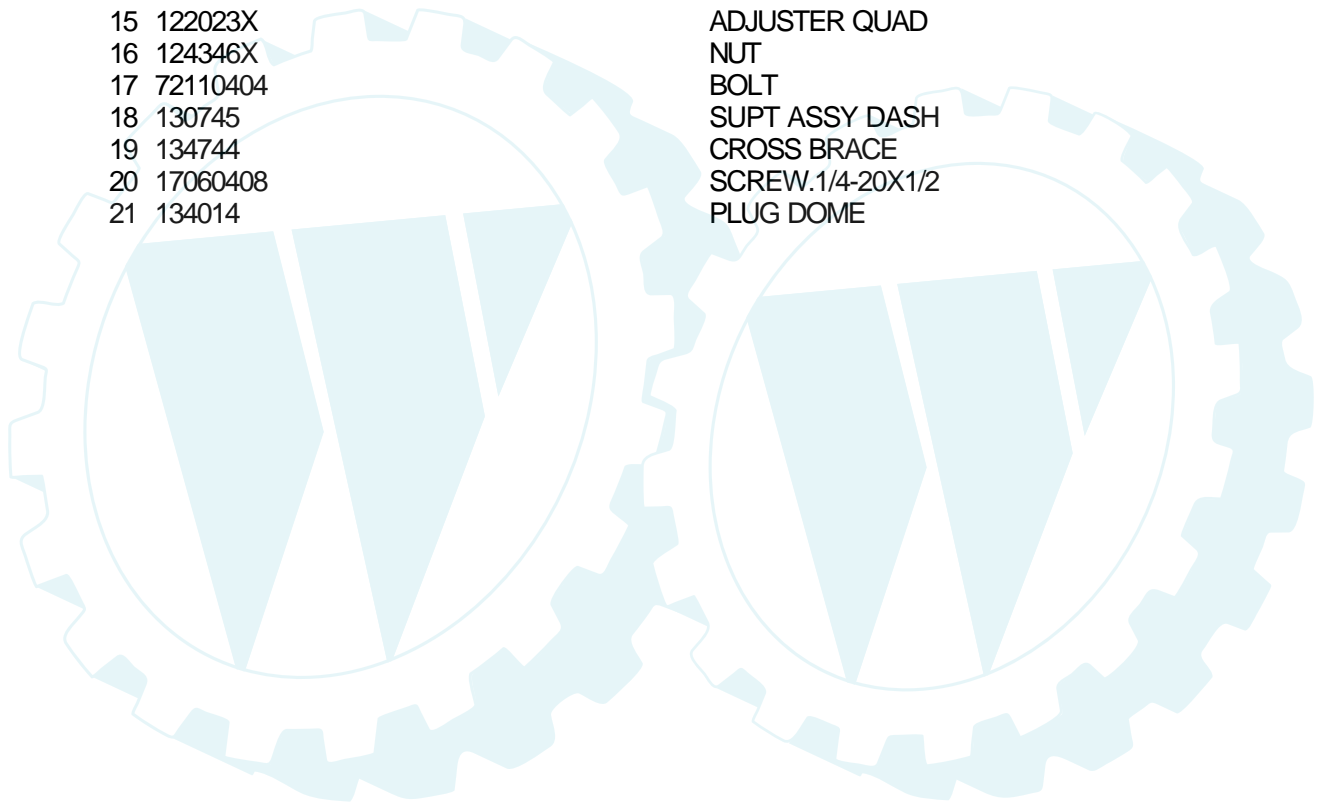
DASH



NOTE: All component dimensions given in U.S. Inches
1 inch = 25.4 mm.

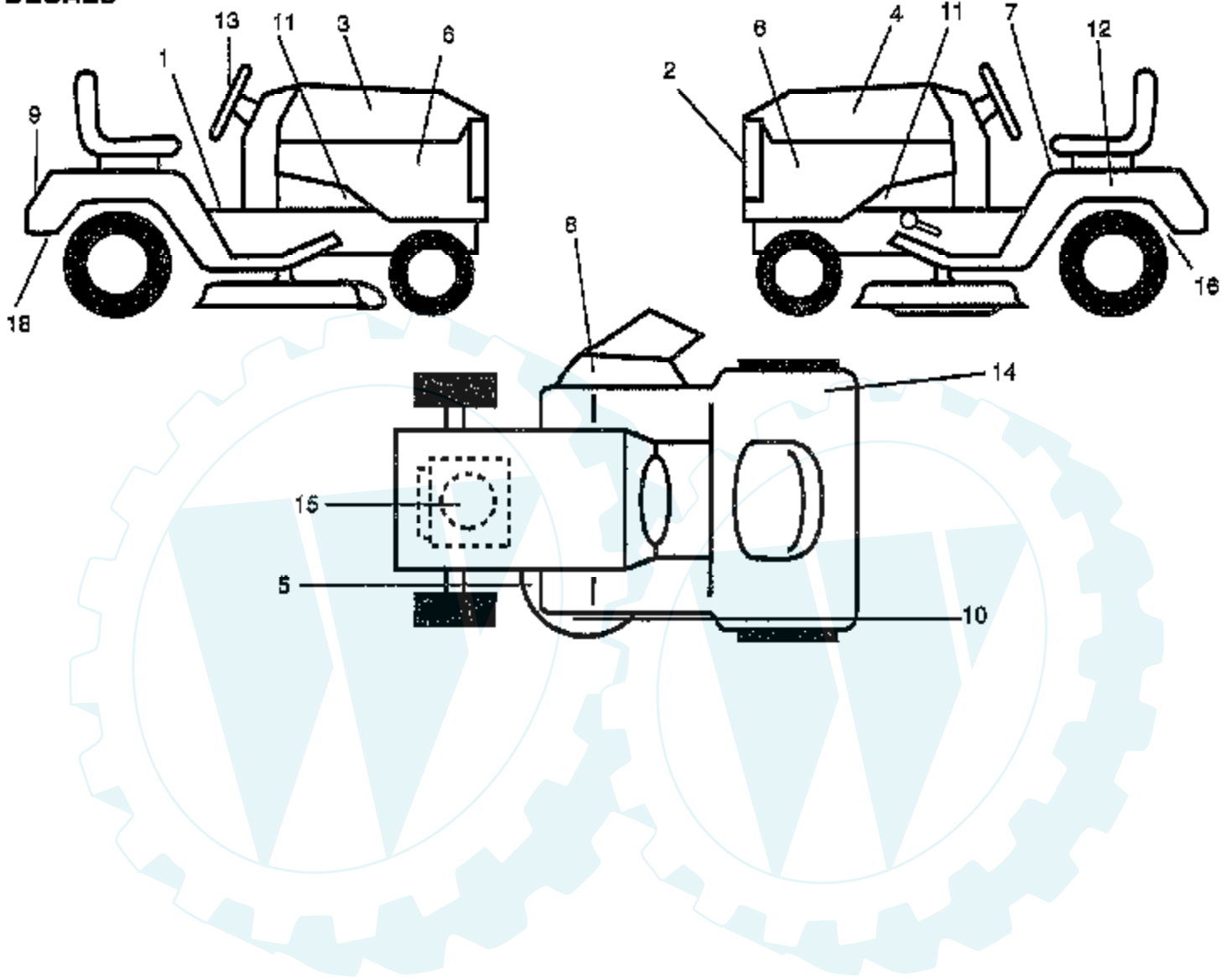
HARDWARE SHOWN LARGER FOR EASIER IDENTIFICATION

Ref #	Part Number	Qty	Description
1	141523		CAP BLK FUEL LR
2	138393		TANK.ASM.DASH.LR
3	123487X		HOSE CLAMP
4	8544R		SUB= 295J
5	8548R		FUEL LINE T
6	73640400		NUT HXKEP 1/4X20
7	2751R		CLIP T
8	19091216		WASHER PM
9	74760428		BOLT
10	19091413		WASHER
11	121249X		SPACER SPLIT
12	3720R		SPRING M
13	126450X		"KNOB,HGT RETAINER"
14	126115X		KNOB
15	122023X		ADJUSTER QUAD
16	124346X		NUT
17	72110404		BOLT
18	130745		SUPT ASSY DASH
19	134744		CROSS BRACE
20	17060408		SCREW.1/4-20X1/2
21	134014		PLUG DOME

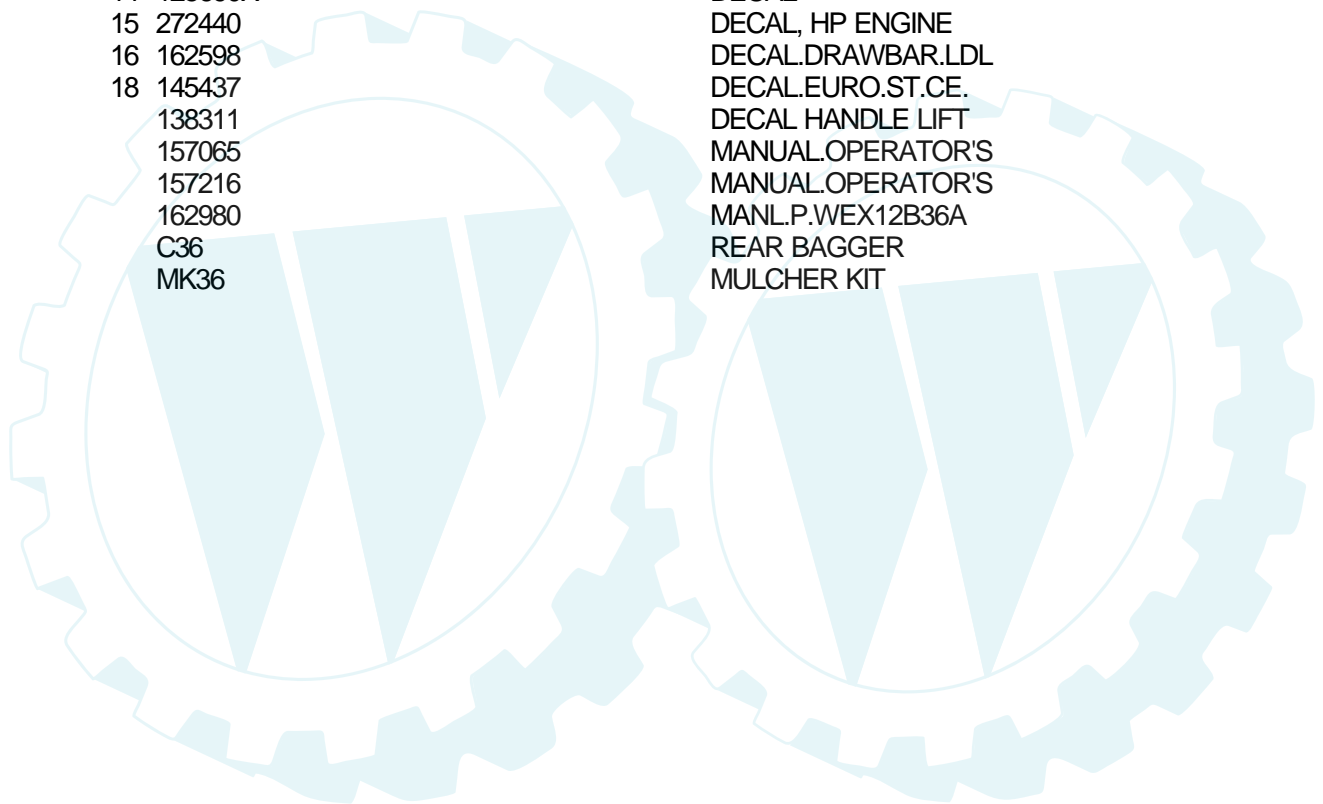


TRACTOR - - MODEL NUMBER WEX12B36A

DECALS

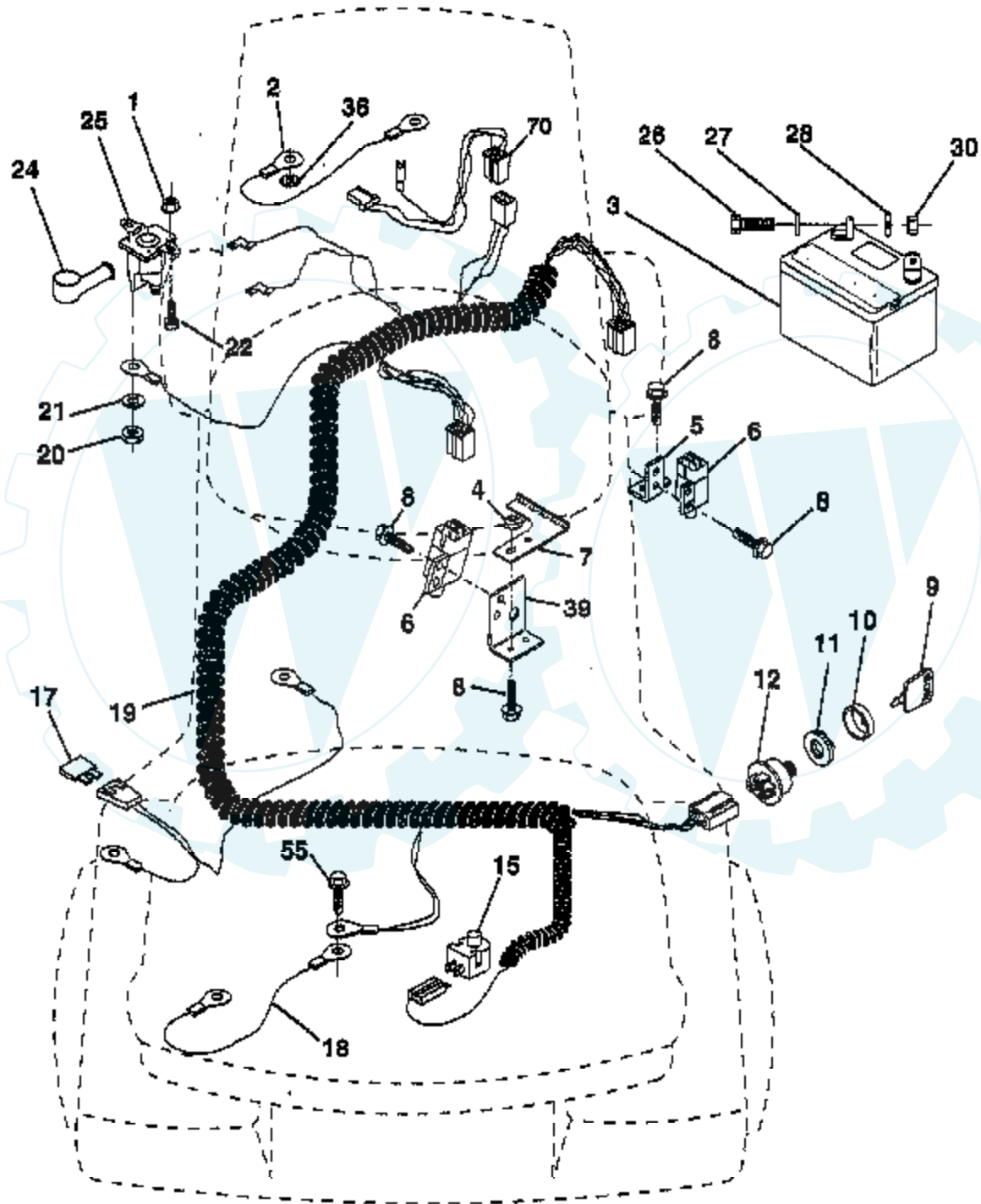


Ref #	Part Number	Qty	Description
1	159739		DECAL CLUTCH/BRAK
2	126860X		"DECAL,LIGHT BOX"
3	162968		DECAL.HOOD.RH
4	162969		DECAL.HOOD.LH
5	136830		DECAL.V.BELT
6	162971		DECAL.PNL.SIDE
7	145498		DECAL.READ.O.MANU
8	145494		DECAL.DANGER.CUTF
9	162395		DECAL.FENDER.LOGO
10	162391		DECAL, DECK GRASSEATER
11	159736		"DECAL CHASSIS,HOT"
12	145005		DECAL.BATRY.3-3908
13	162970		DECAL INSRT STEER
14	125690X		DECAL
15	272440		DECAL, HP ENGINE
16	162598		DECAL.DRAWBAR.LDL
18	145437		DECAL.EURO.ST.CE.
	138311		DECAL HANDLE LIFT
	157065		MANUAL.OPERATOR'S
	157216		MANUAL.OPERATOR'S
	162980		MANL.P.WEX12B36A
	C36		REAR BAGGER
	MK36		MULCHER KIT



TRACTOR - - MODEL NUMBER WEX12B36A

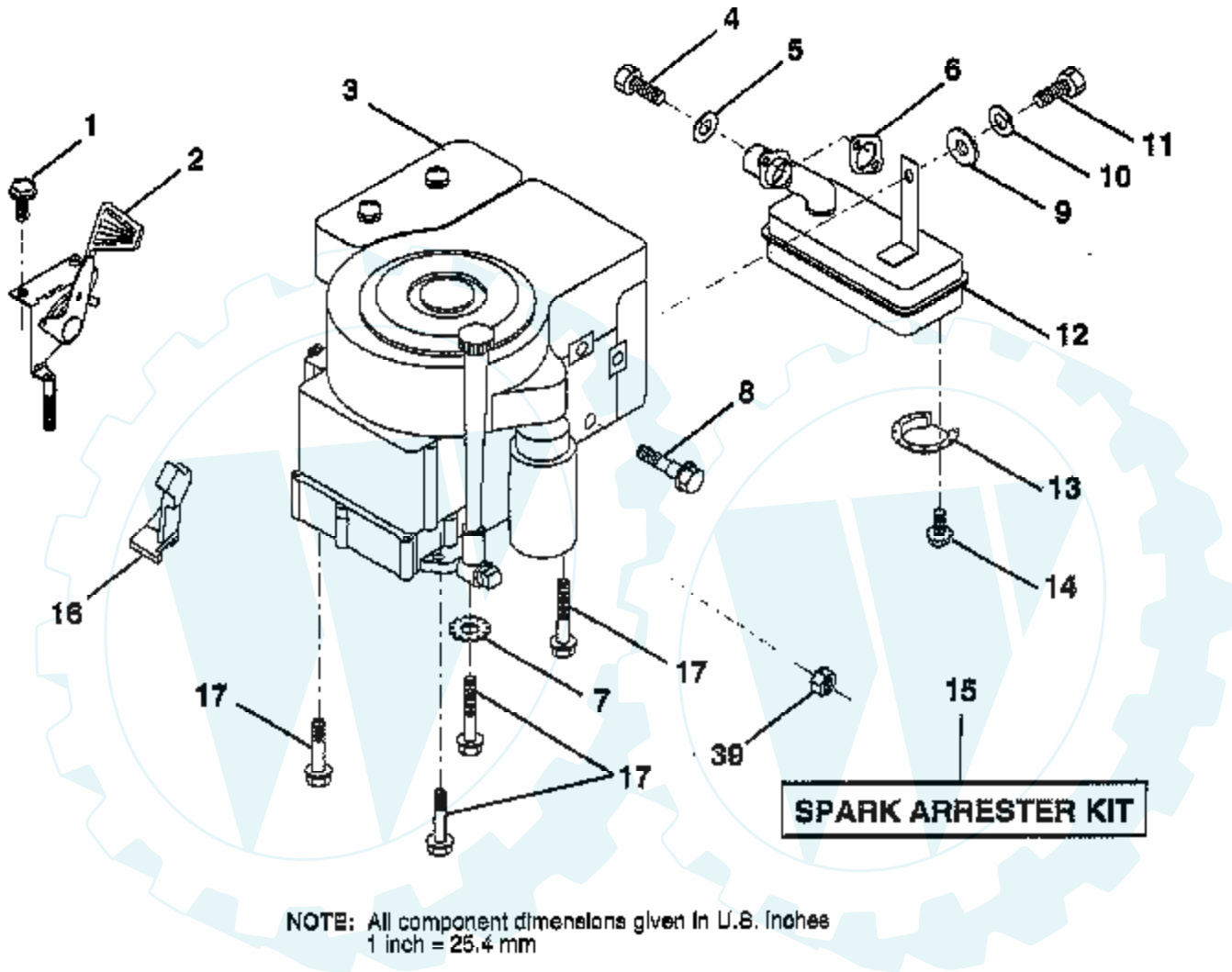
ELECTRICAL



Ref #	Part Number	Qty	Description
1	73640400		NUT HXKEP 1/4X20
2	108423X		CABLE ASM.
3	144924		SUB= 123899X
4	69180		LOCKNUT
5	108236X		BRACKET LT
6	109553X		SWITCH INTERLOCKT
7	146374		KEEPER.ACTUAT.LR.
8	17021008		SCREW
9	140401		KEY MLD GEN DELTA
10	141226		COVER KEY SWITCH
11	140400		SUB= 145774
12	144921		SUB= 163088
15	121305X		SWITCH SEAT
17	108824X		FUSE HYT
18	128353		CABLE ASSY
19	146063		HARNESS.IGN.FEND.
20	73350400		NUT
21	10090400		SUB= 10040400
22	71110408		BOLT HXHD FIN
24	131563		SUB= 154336
25	145673		SUB= 146154
26	74760412		BOLT LT
27	19091016		WASHER
28	10040400		LOCKWASHER
30	73220400		SUB= 50675
36	11150400		LOCKWASHER
39	141735		BRACKET SWT CLUTC
55	17490508		SCREW LT
70	140413		HARNESS ENG DUAL

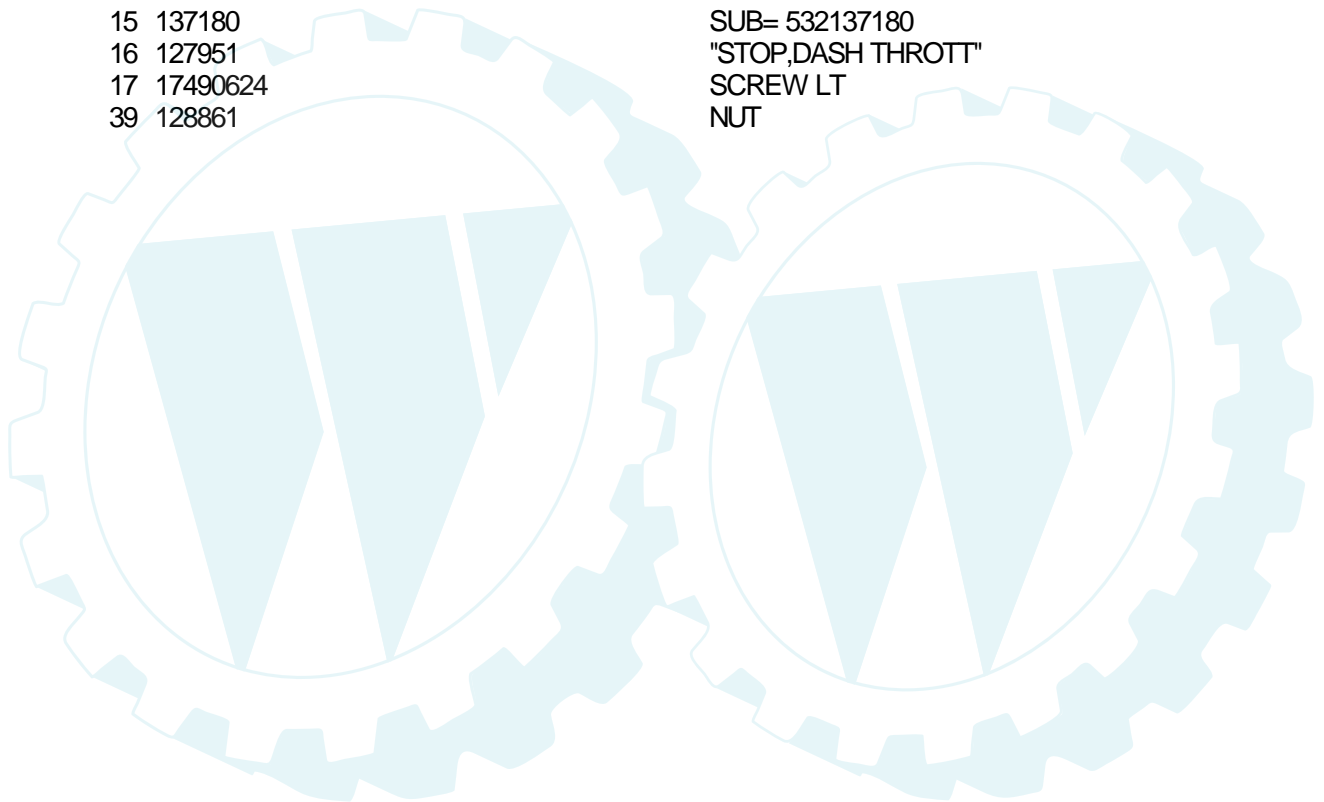
TRACTOR -- MODEL NUMBER WEX12B36A

ENGINE / THROTTLE



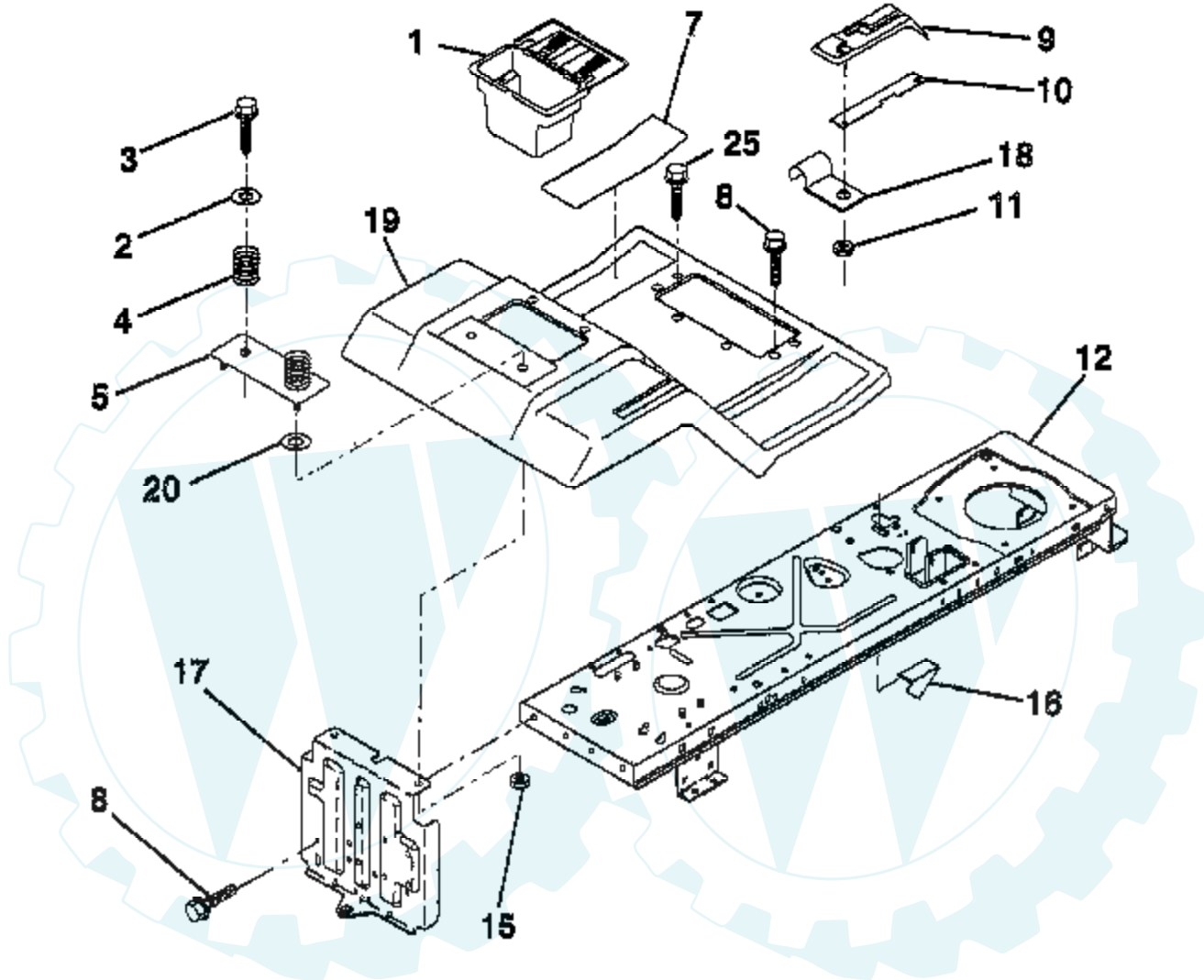
HARDWARE SHOWN LARGER FOR EASIER IDENTIFICATION

Ref #	Part Number	Qty	Description
1	17060408		SCREW.1/4-20X1/2
2	133025		SUB= 532133025
3			CHECK WITH SUPPLIER
4	71070512		SCREW
5	10040500		LOCKWASHER
6	272293		GASKET ENG 1 313 LD TIN PLATED
7	11050600		LOCKWASHER
8	121094X		BOLT T
9	19101216		WASHER
10	10040400		LOCKWASHER
11			CHECK WITH SUPPLIER
12	137437		MUFFLER
13	101326L		DEFLECTOR.222573
14	17030808		SUB= 17030814
15	137180		SUB= 532137180
16	127951		"STOP,DASH THROTT"
17	17490624		SCREW LT
39	128861		NUT



TRACTOR -- MODEL NUMBER WEX12B36A

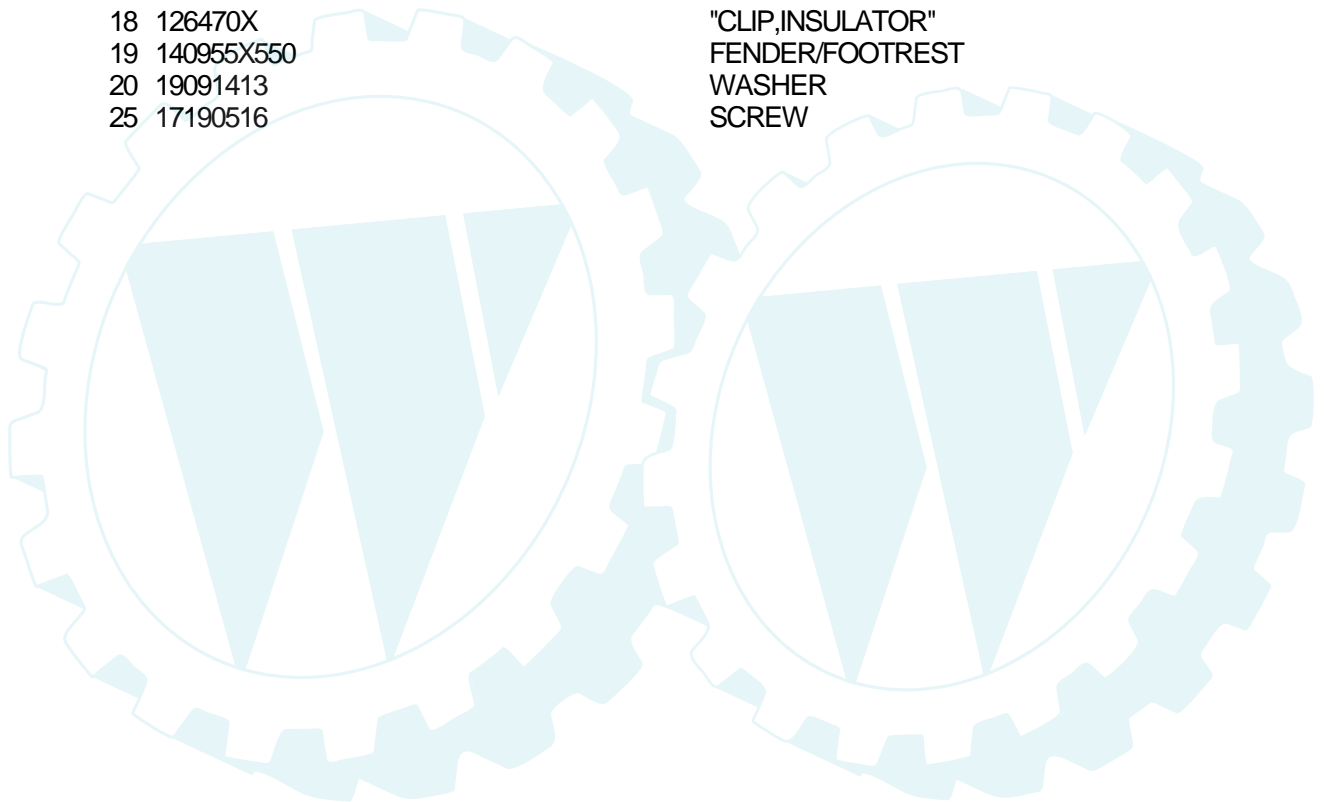
FENDER / CHASSIS



NOTE: All component dimensions given in U.S. inches
1 inch = 25.4 mm.

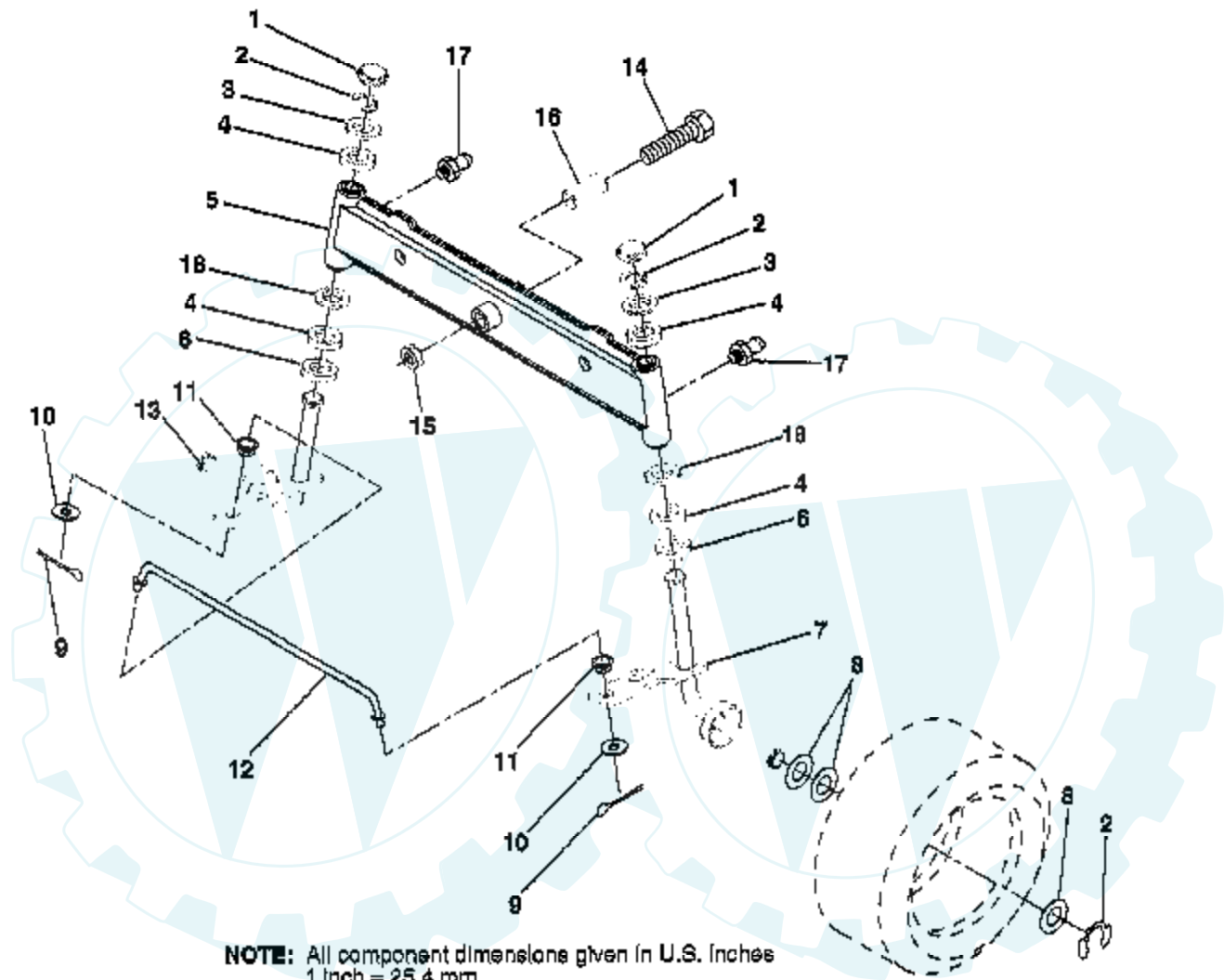
HARDWARE SHOWN LARGER FOR EASIER IDENTIFICATION

Ref #	Part Number	Qty	Description
1	156417		"CASE,BATTERY.MECH"
2	19132012		WASHER
3	17490612		SCREW
4	124181X		SPRING COMPRESSIO
5	127115X550		PLATE.FEND.LR.ASM
7	124144X		PAD FOOTREST
8	17490512		SCREW
9	126997		CONSOLE, SHIFT CONTROL
10	139783		PLATE LOCK SHIFT
11	124346X		NUT
12	145190		CHASSIS.WELD.ASM.
15	73640400		NUT HXKEP 1/4X20
16	141736		SUB= 146613
17	140782		DRAWBAR ASM LR
18	126470X		"CLIP,INSULATOR"
19	140955X550		FENDER/FOOTREST
20	19091413		WASHER
25	17190516		SCREW



TRACTOR -- MODEL NUMBER WEX12B36A

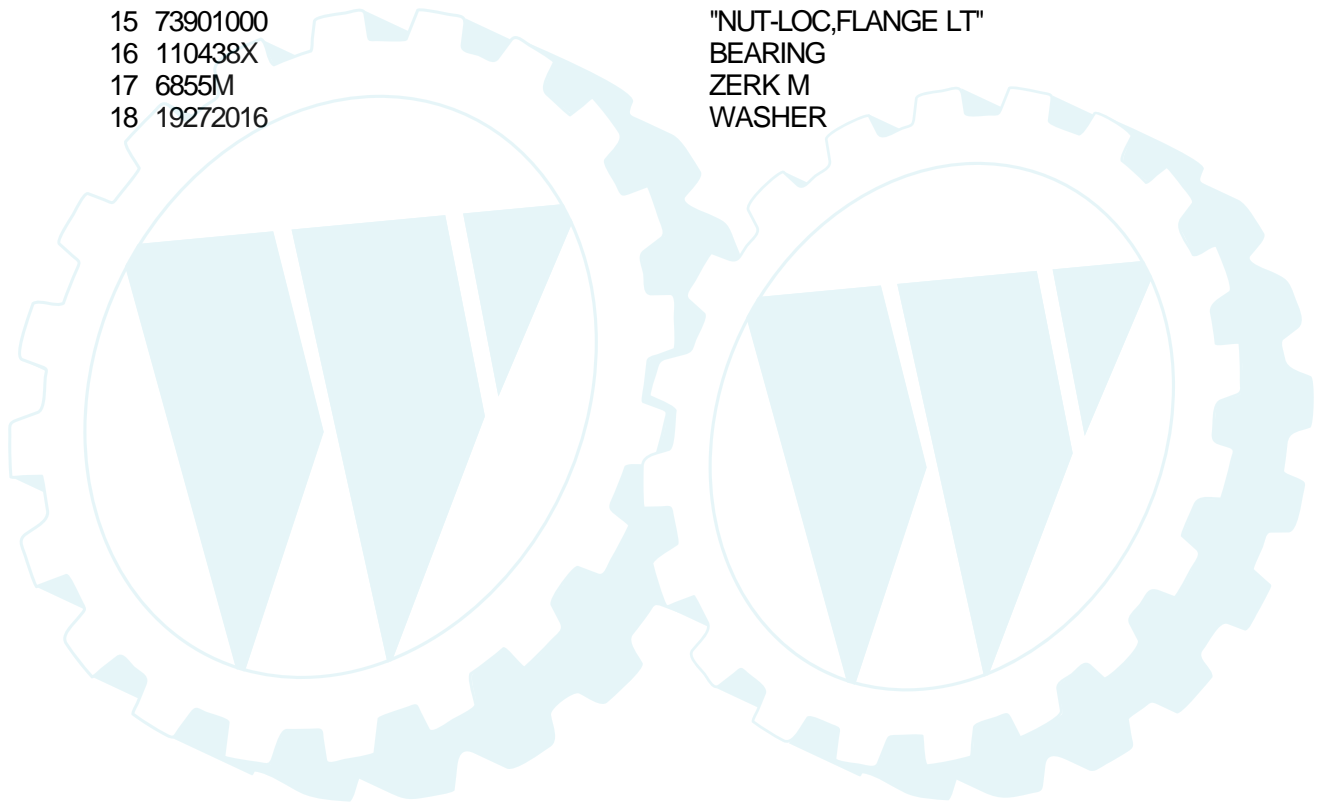
FRONT AXLE



NOTE: All component dimensions given in U.S. inches
1 inch = 25.4 mm.

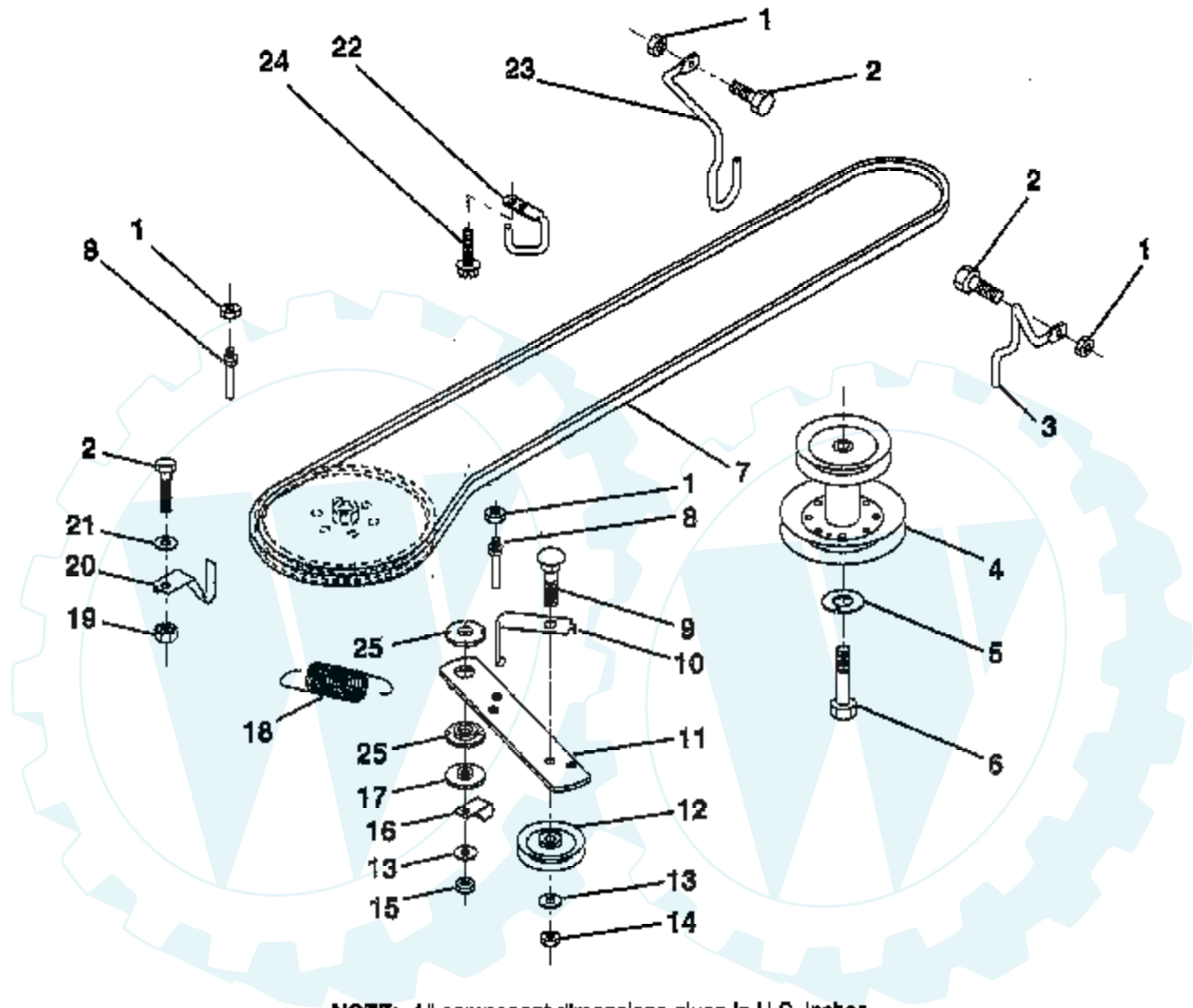
HARDWARE SHOWN LARGER FOR EASIER IDENTIFICATION

Ref #	Part Number	Qty	Description
1	121232X		CAP
2	12000029		RING
3	121748X		WASHER
4	3366R		COL. SRTG. BEAR.
5	142033		AXLE ASM FRONT
6	6266H		WASHER .T
7	161826		SPINDLE.ASSY.RH
8	121749X		WASHER
9	76020412		COTTER PIN
10	19131316		WASHER
11	126847X		BUSHING.DRAGLINK
12	130465		TIE ROD
13	161827		SPINDLE.ASSY.LH
14	74011056		BOLT HEX 5/8-11
15	73901000		"NUT-LOC,FLANGE LT"
16	110438X		BEARING
17	6855M		ZERK M
18	19272016		WASHER



TRACTOR - - MODEL NUMBER WEX12B36A

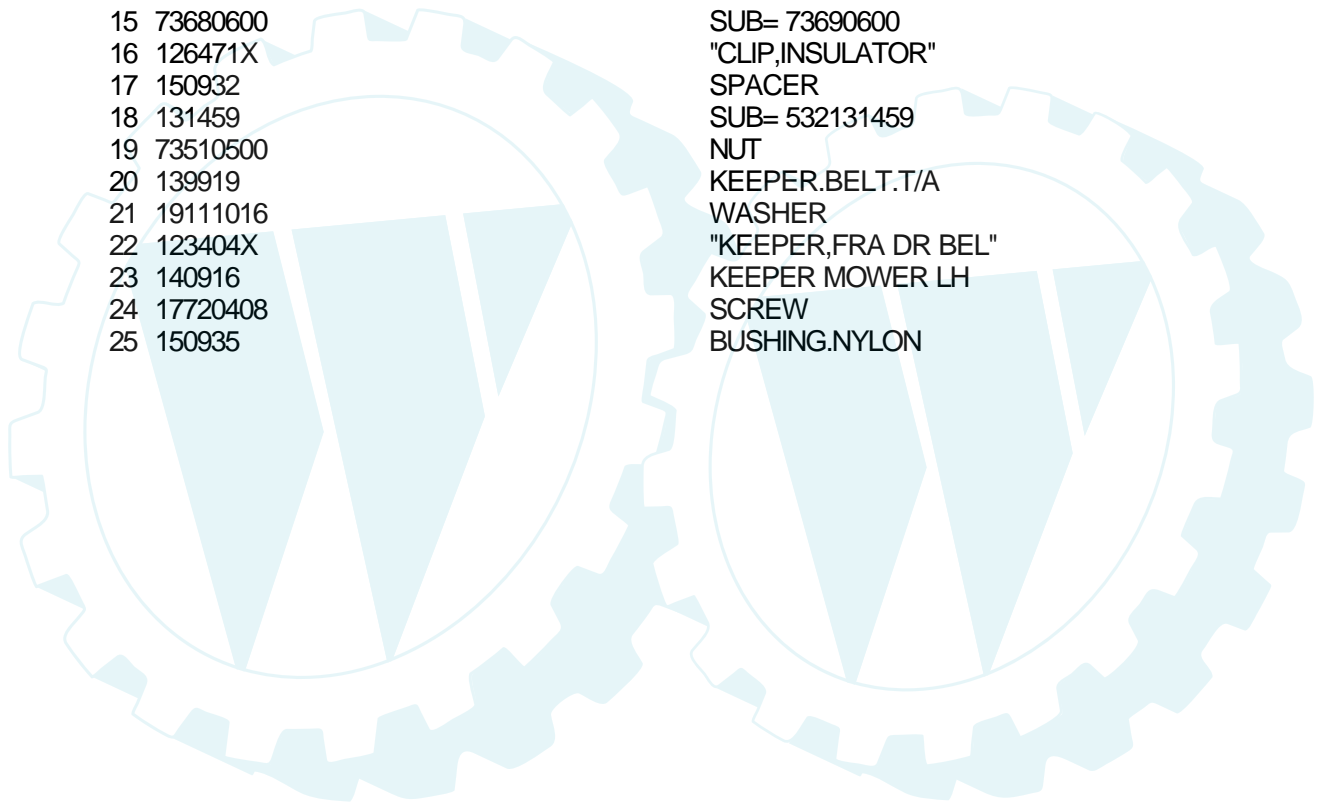
GROUND DRIVE



NOTE: All component dimensions given in U.S. inches
1 inch = 25.4 mm

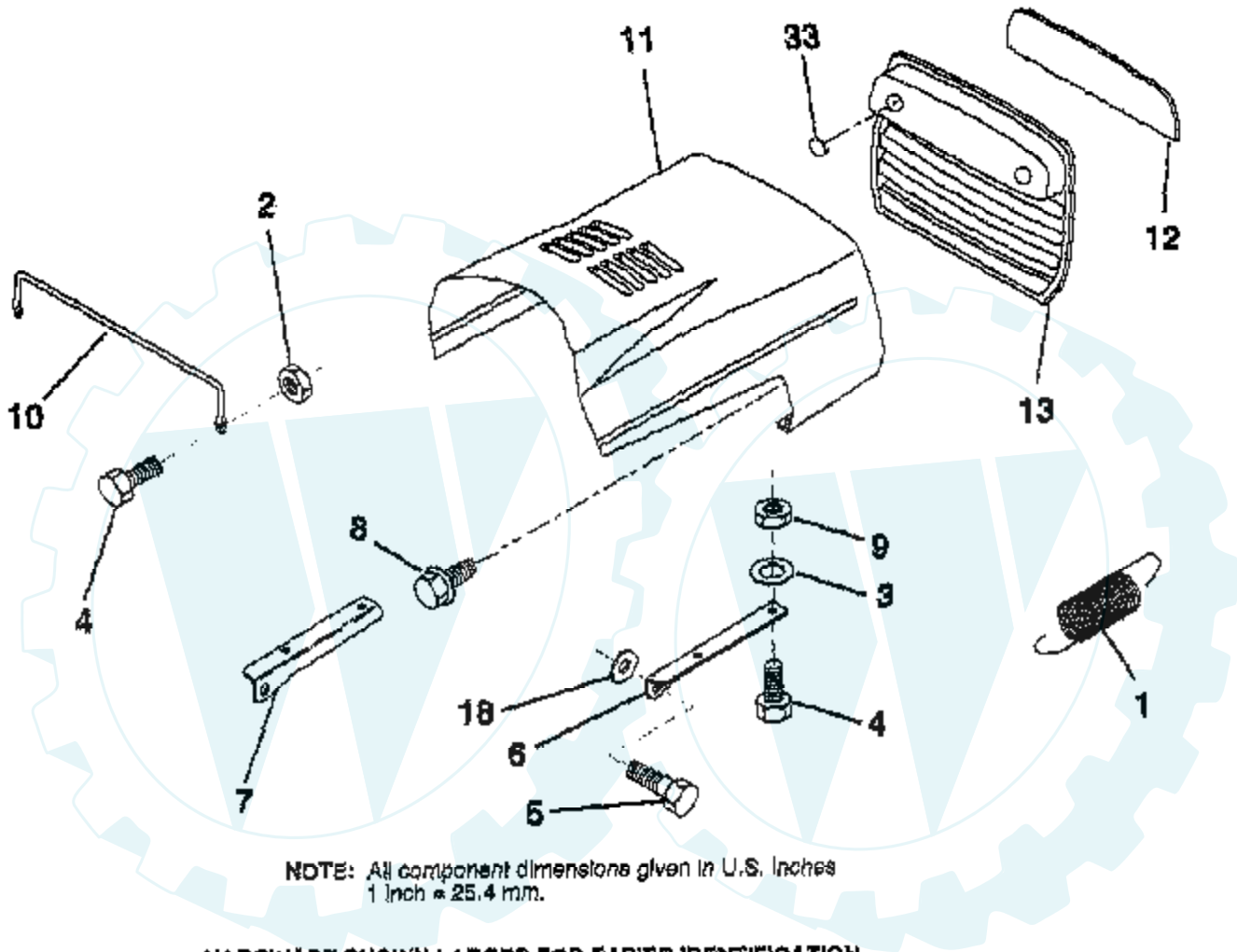
HARDWARE SHOWN LARGER FOR EASIER IDENTIFICATION

Ref #	Part Number	Qty	Description
1	73680500		SUB= 73690500
2	74760512		BOLT
3	141342		KEEPER RH
4	138029		PULLEY.ENGINE.LR
5	10040700		LOCKWASHER
6	71170744		HEX BOLT
7	126520X		V BELT
8	123405X		"KEEPER,DRIVE BELT"
9	72140612		BOLT
10	123396X		"KEEP,IDLER DR BEL"
11	150926		ARM-IDLER.DR.GRND
12	123674X		PULLEY.IDLER.FLAT
13	19131316		WASHER
14	73930600		LOCKNUT
15	73680600		SUB= 73690600
16	126471X		"CLIP,INSULATOR"
17	150932		SPACER
18	131459		SUB= 532131459
19	73510500		NUT
20	139919		KEEPER.BELT.T/A
21	19111016		WASHER
22	123404X		"KEEPER,FRA DR BEL"
23	140916		KEEPER MOWER LH
24	17720408		SCREW
25	150935		BUSHING.NYLON



TRACTOR - - MODEL NUMBER WEX12B36A

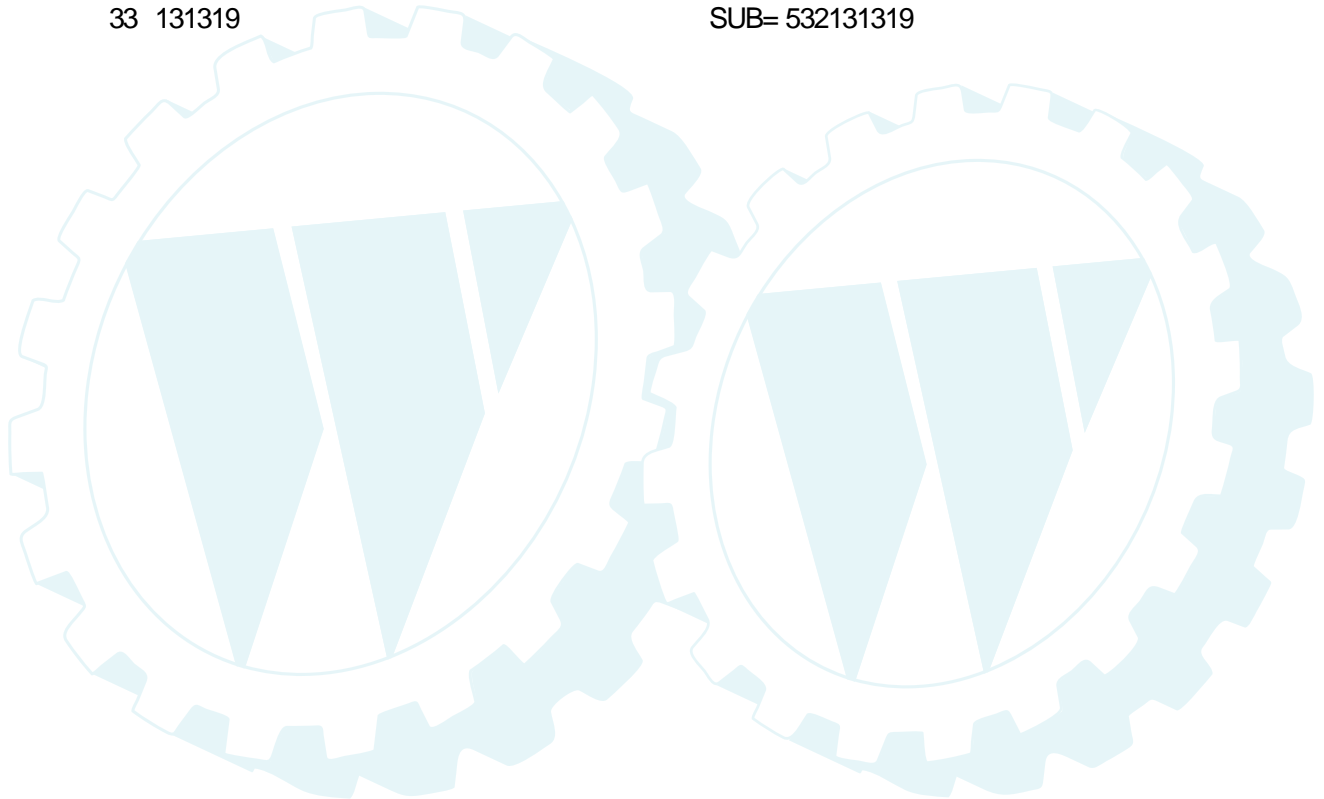
HOOD



NOTE: All component dimensions given in U.S. inches
1 inch = 25.4 mm.

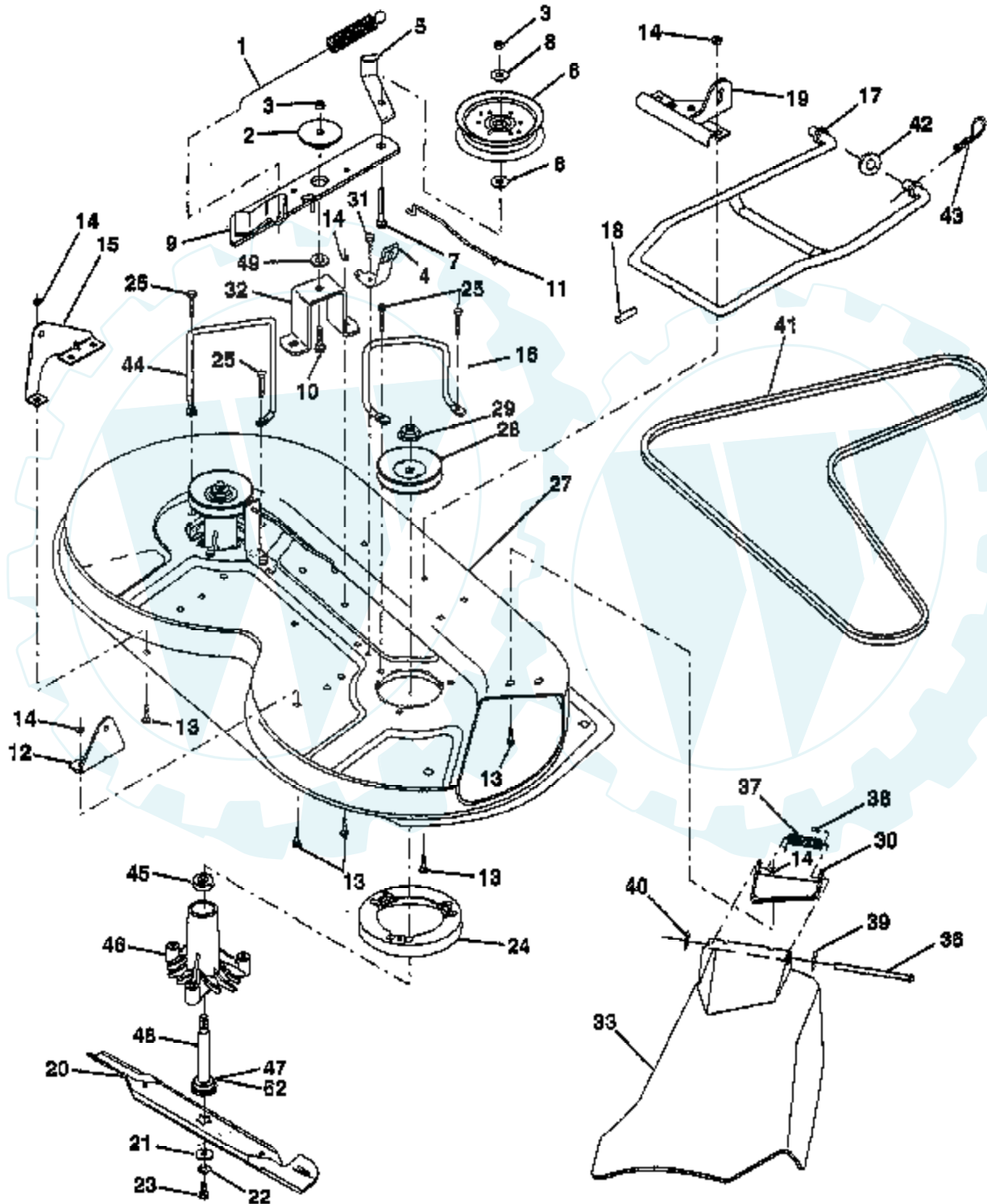
HARDWARE SHOWN LARGER FOR EASIER IDENTIFICATION

Ref #	Part Number	Qty	Description
1	124657X		EXT SPRING
2	73510400		NUT
3	19091416		WASHER
4	74780412		SUB= 74780414
5	139888		BOLT.SHLD.5/16-18
6	122549X		BRKT HOOD RH
7	122548X		BRKT HOOD LH
8	17521312		SCREW SLTD HXHD
9	73800400		NUT
10	123693X		"BRACE,HOOD"
11	132918X550		HOOD.IMPREG.MS550
12	122035X		LENS
13	127029X		GRILL
18	19111116		WASHER
33	131319		SUB= 532131319



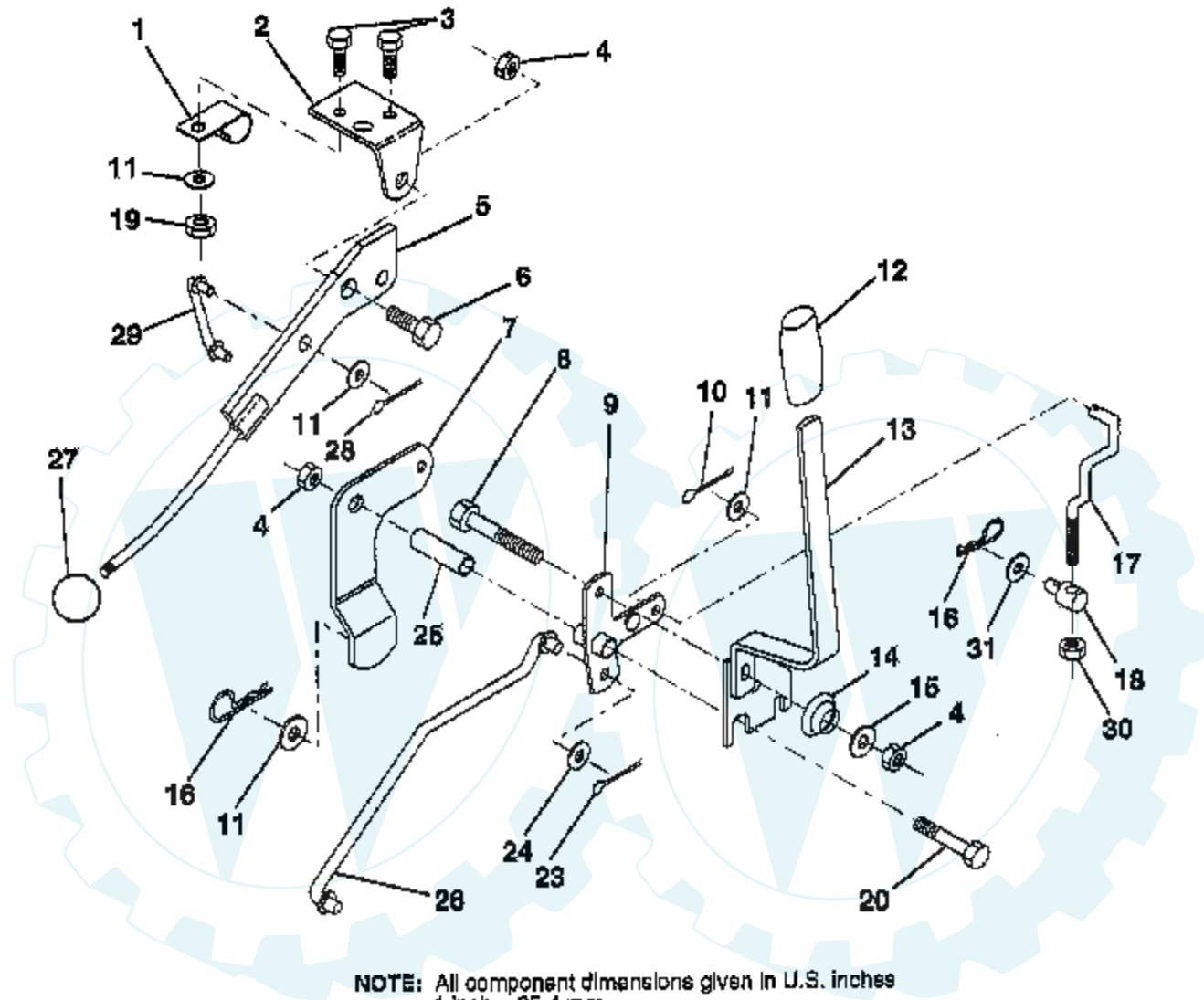
TRACTOR - - MODEL NUMBER WEX12B36A

MOWER DECK



TRACTOR -- MODEL NUMBER WEX12B36A

MOWER LIFT LEVER

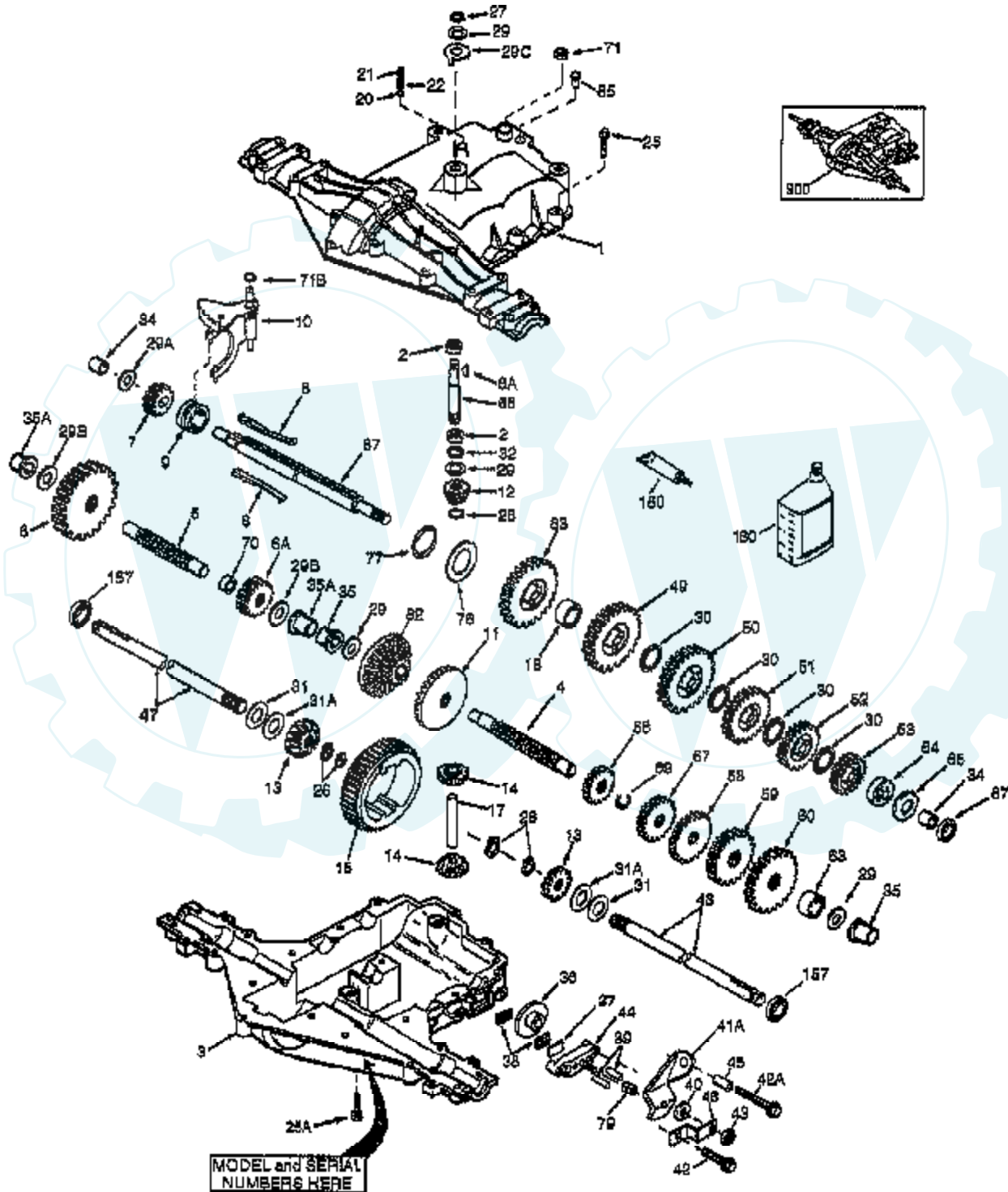


NOTE: All component dimensions given in U.S. inches
1 inch = 25.4 mm.

HARDWARE SHOWN LARGER FOR EASIER IDENTIFICATION

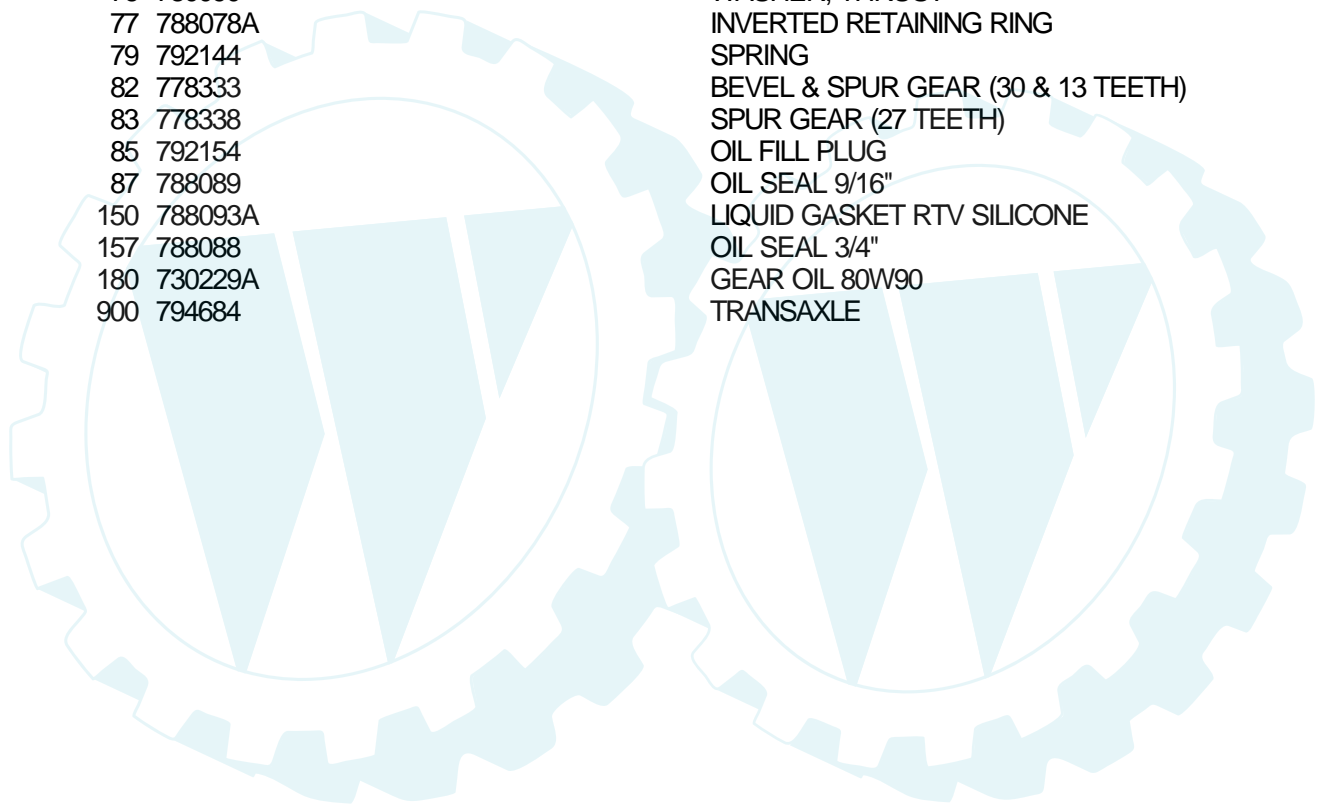
Ref #	Part Number	Qty	Description
1	126470X		"CLIP,INSULATOR"
2	122018X		BRKT CLUTCH
3	71110408		BOLT HXHD FIN
4	73680600		SUB= 73690600
5	145187		LEVER.ASM.CLUTCH
6	106451X		"BOLT, SHOULDER LT"
7	135371		MWR CLUTCH ARM AS
8	74760636		BOLT
9	121930X		"BELLCRANK,LIFT"
10	76020412		COTTER PIN
11	19131316		WASHER
12	131861		SUB= 532131861
13	139352		HANDLE.ASM.LIFT
14	123496X		SPRING COMPRESSIO
15	19131212		WASHER T
16			CHECK WITH SUPPLIER
17	127359		"LINK,LIFT FRT"
18	142028		TRUNION ADJ
19	73640400		NUT HXKEP 1/4X20
20	74760644		BOLT
23	76020416		PIN COTTER 1/8
24	19171612		WASHER GT
25	121933X		TUBE SPACER
26	141470		ROD LIFT MOWER
27	106932X		KNOB T(3/8 HOLE)
28	76020312		SUB= 3145
29	131655		CLUTCH LINK
30	73350600		NUT
31	19132012		WASHER

TRACTOR -- MODEL NUMBER WEX12B36A
PEERLESS TRANSAXLE - MODEL NUMBER 206-507B



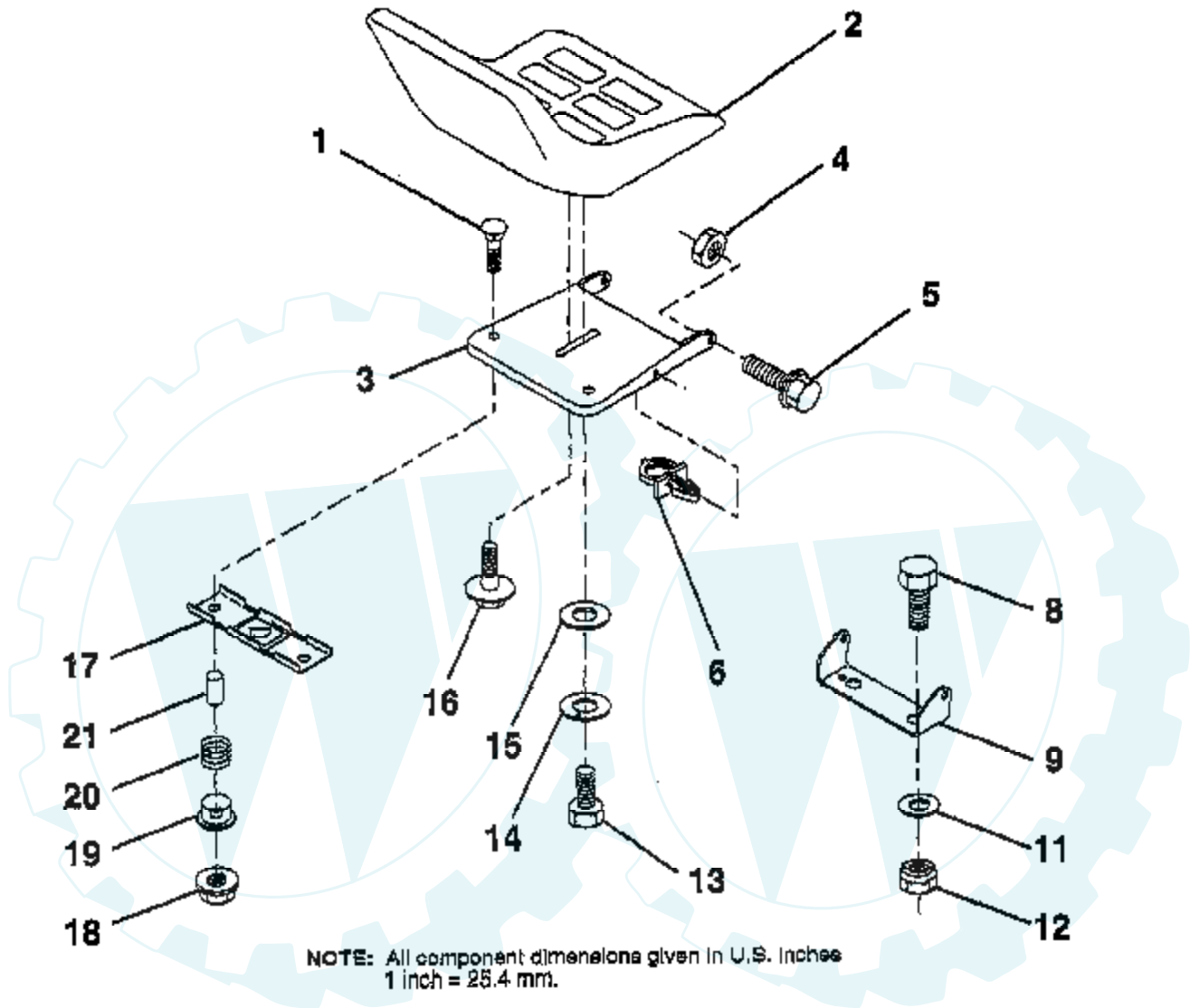
Ref #	Part Number	Qty	Description
1	772147		TRANSAXLE COVER
2	780086A		NEEDLE BEARING 5/8" ID
3	770128		TRANSAXLE CASE
4	776395		COUNTERSHAFT
5	776409		OUTPUT SHAFT
6	778364		SPUR GEAR (38 TEETH)
6A	778369		SPUR GEAR (15 TEETH)
7	778330		SPUR GEAR (11 TEETH)
8	792180		SHIFT KEY
8A	792047		KEY, WOODRUFF
9	784352		COLLAR, SHIFTER
10	784378		SHIFT ROD & FORK
11	778334		BEVEL GEAR (30 TEETH)
12	778309		INPUT BEVEL PINION (13TEETH)
13	778368		BEVEL GEAR (13 TEETH)
14	778367		BEVEL PINION (13 TEETH)
15	778370		RING GEAR (43 TEETH)
17	786188		DRIVE PIN
18	786102		SPACER, NEUTRAL
20	792077		BALL STEEL, 5/16" DIA.
21	792078		SCREW, 3/8-16 X 3/8"
22	792079		SPRING
25	792073A		SCREW
25A	792177		SCREW 1/4-20 X 1-3/8"
26	792125		RING RETAINER
27	792035		RING, RETAINER
28	788040		RETAINING RING
29	780072		WASHER THRUST
29A	780160		WASHER
29B	780051		WASHER THRUST
29C			CHECK WITH SUPPLIER
30	780108		WASHER THRUST
31	780001		WASHER
31A	780195		FLAT WASHER
32	788083		OIL SEAL 5/8"
34	780194		BUSHING 9/16"
35	780193		FLANGED BUSHING 5/8" ID
35A	780197		FLANGED BUSHING 3/4"
36	790075		BRAKE DISC
37	790007		PLATE BRAKE PAD
38	799021		BRAKE PAD
39	786026		PIN DOWEL
40	792076A		WASHER
41A	790079		BRAKE LEVER
42	792073A		SCREW
42A	792085A		SCREW, 1/4-20 X 2-1/4
43	792075		LOCKNUT 5/16-24
44	790025		HOLDER BRAKE PAD
45	786066		SPACER
46	786086		BRKT BRAKE LEVER
47	774690		AXLE
48	774691		AXLE
49	778356		SPUR GEAR (29 TEETH)
50	778354		SPUR GEAR (23 TEETH)
51	778352		SPUR GEAR (19 TEETH)
52	778350		SPUR GEAR (16 TEETH)
53	778346		SPUR GEAR (15 TEETH)
56	778355		SPUR GEAR (11 TEETH)

Ref #	Part Number	Qty	Description
57	778353		SPUR GEAR (17 TEETH)
58	778351		SPUR GEAR (21 TEETH)
59	778349		SPUR GEAR (24 TEETH)
60	778345		SPUR GEAR (25 TEETH)
63	786071		SPACER
64	786072		SPACER
65	780189		WASHER
66	776422		INPUT SHAFT
67	776396		SHIFTER & BRAKE SHAFT
69	792170		RETAINING RING
70	786187		SPACER .890
71	788069		SEAL SQUARE CUT
71B	788092		"O" RING
76	780090		WASHER, THRUST
77	788078A		INVERTED RETAINING RING
79	792144		SPRING
82	778333		BEVEL & SPUR GEAR (30 & 13 TEETH)
83	778338		SPUR GEAR (27 TEETH)
85	792154		OIL FILL PLUG
87	788089		OIL SEAL 9/16"
150	788093A		LIQUID GASKET RTV SILICONE
157	788088		OIL SEAL 3/4"
180	730229A		GEAR OIL 80W90
900	794684		TRANSAXLE



TRACTOR - - MODEL NUMBER WEX12B36A

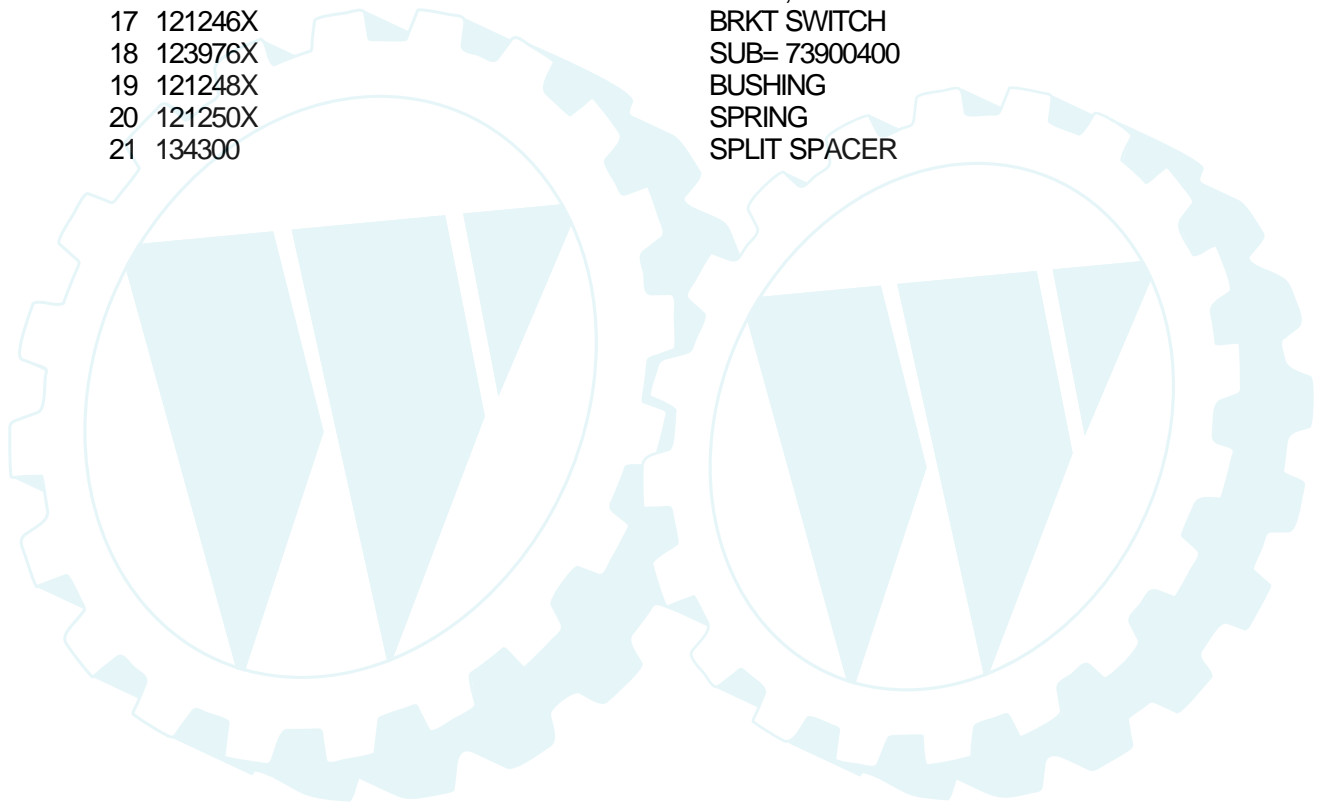
SEAT



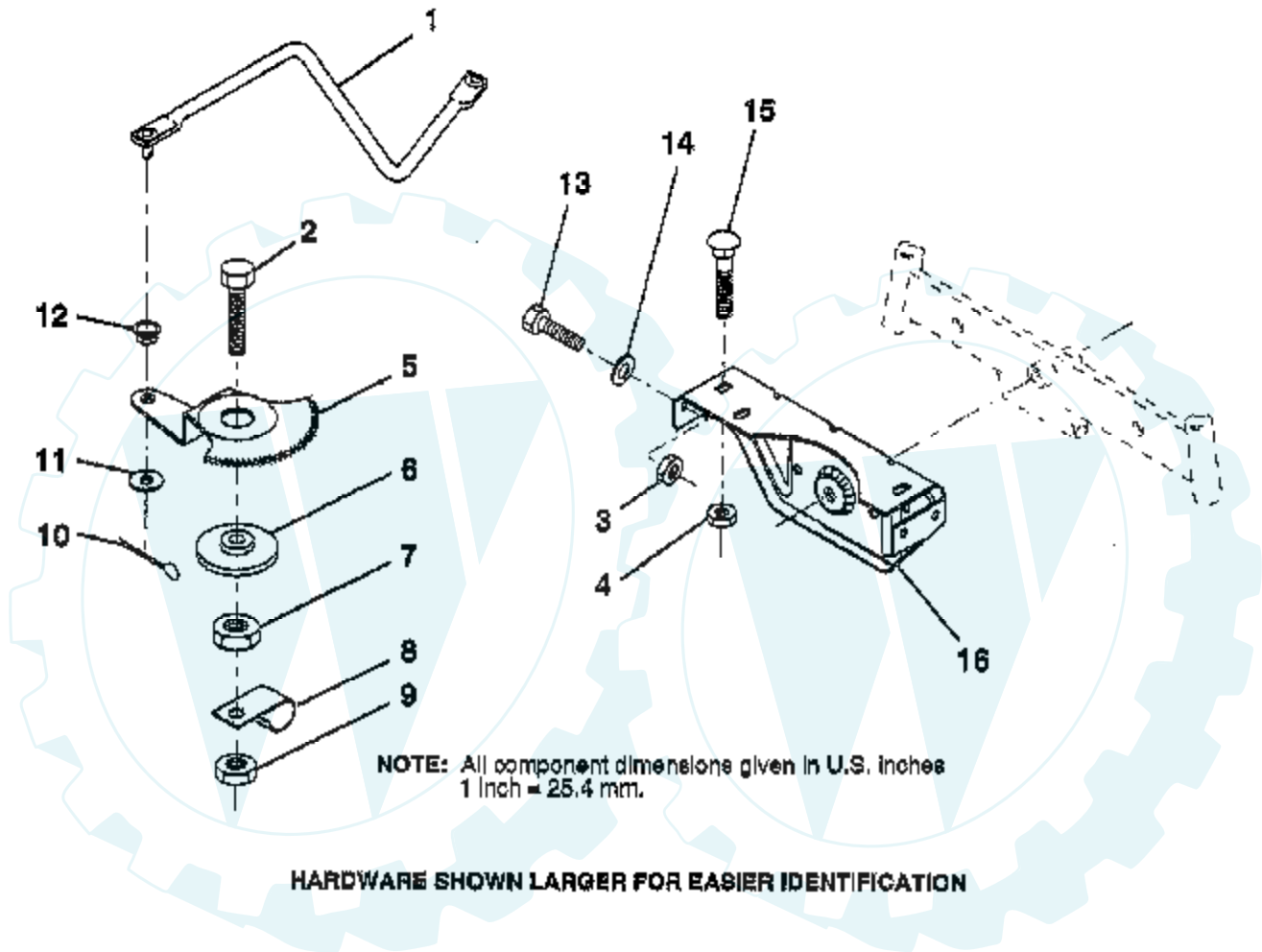
NOTE: All component dimensions given in U.S. inches
1 inch = 25.4 mm.

HARDWARE SHOWN LARGER FOR EASIER IDENTIFICATION

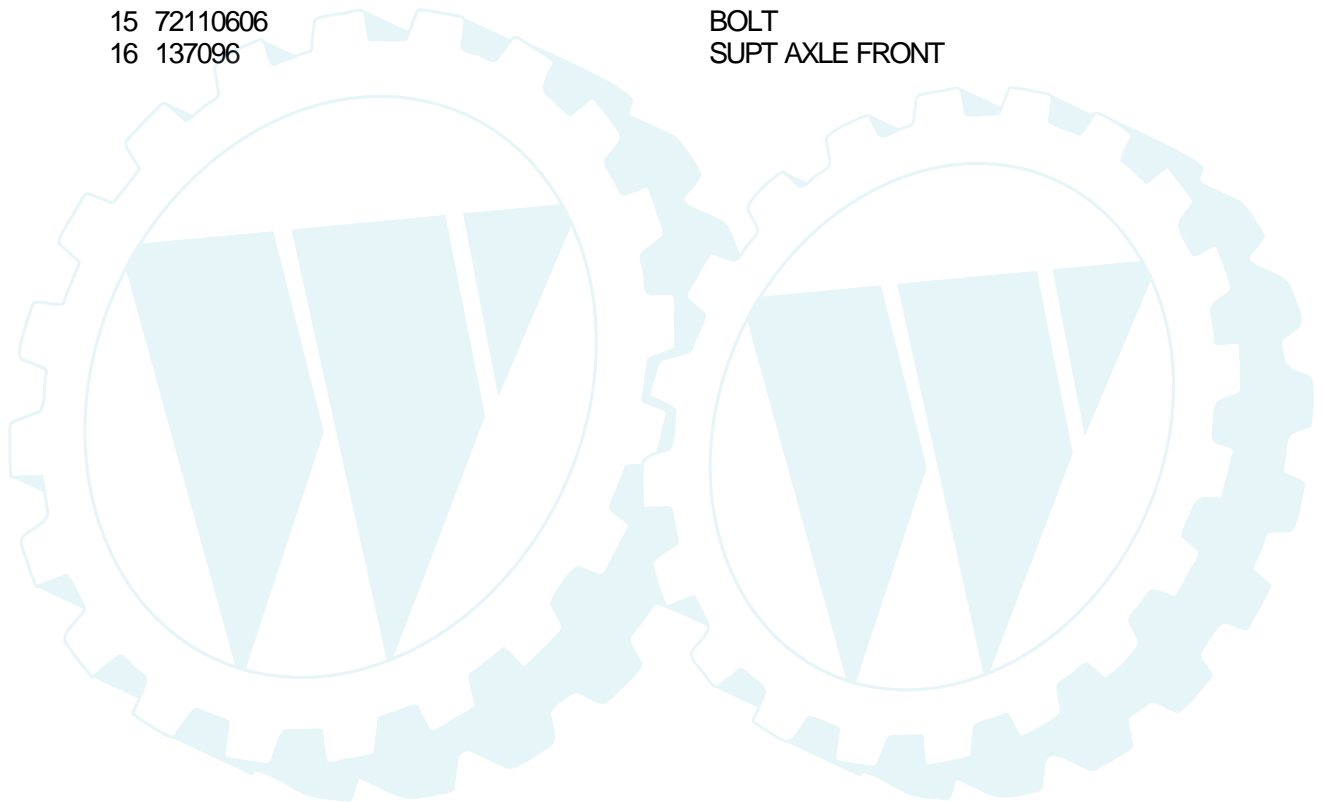
Ref #	Part Number	Qty	Description
1	72050412		BOLT-RD HD SQ NK
2	134647		SUB= 140119
3	155925		PAN-SEAT
4	73800500		NUT
5	153236		"BOLT,SHOULDER"
6	145006		CLIP.PUSH-IN.HING
8	74760616		BOLT
9	140551		BRACKET PVT SEAT
11	19133210		WASHER
12	73800600		NUT
13	74780814		BOLT
14	10040800		LOCKWASHER
15	19171912		WASHER
16	127018X		"BOLT,SHOULDER"
17	121246X		BRKT SWITCH
18	123976X		SUB= 73900400
19	121248X		BUSHING
20	121250X		SPRING
21	134300		SPLIT SPACER



TRACTOR - - MODEL NUMBER WEX12B36A
SECTOR GEAR / AXLE SUPPORT

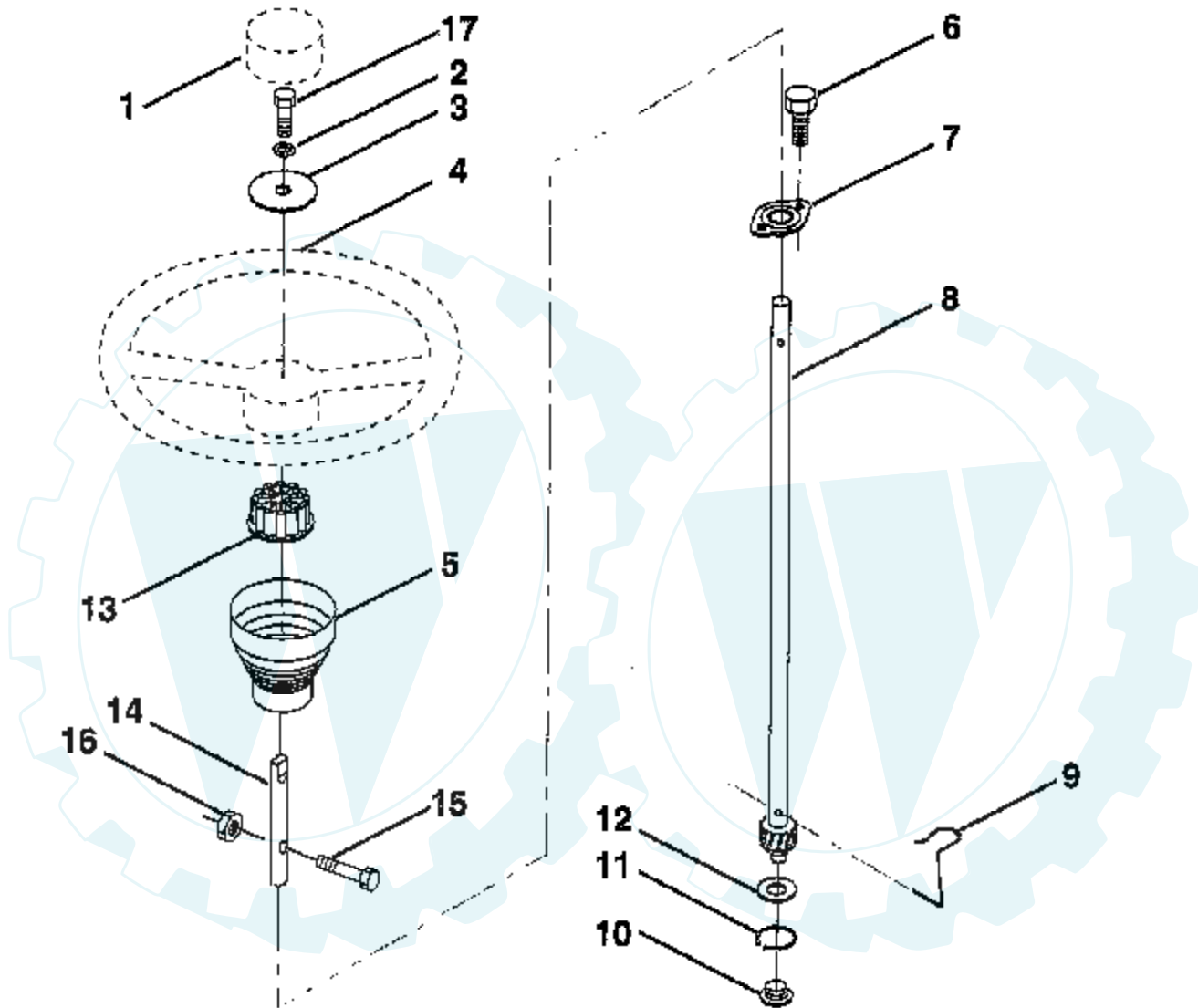


Ref #	Part Number	Qty	Description
1	132566		DRAG LINK
2	74780828		"BOLT,HEX"
3	73680500		SUB= 73690500
4	73680600		SUB= 73690600
5	121926X		GEAR SECTOR
6	121927X		BUSHING
7	73030800		NUT
8	126472X		CLIP INSULATOR
9	73680800		NUT LTV
10	76020412		COTTER PIN
11	19131316		WASHER
12	126847X		BUSHING.DRAGLINK
13	74760512		BOLT
14	19111416		WASHER
15	72110606		BOLT
16	137096		SUPT AXLE FRONT



TRACTOR -- MODEL NUMBER WEX12B36A

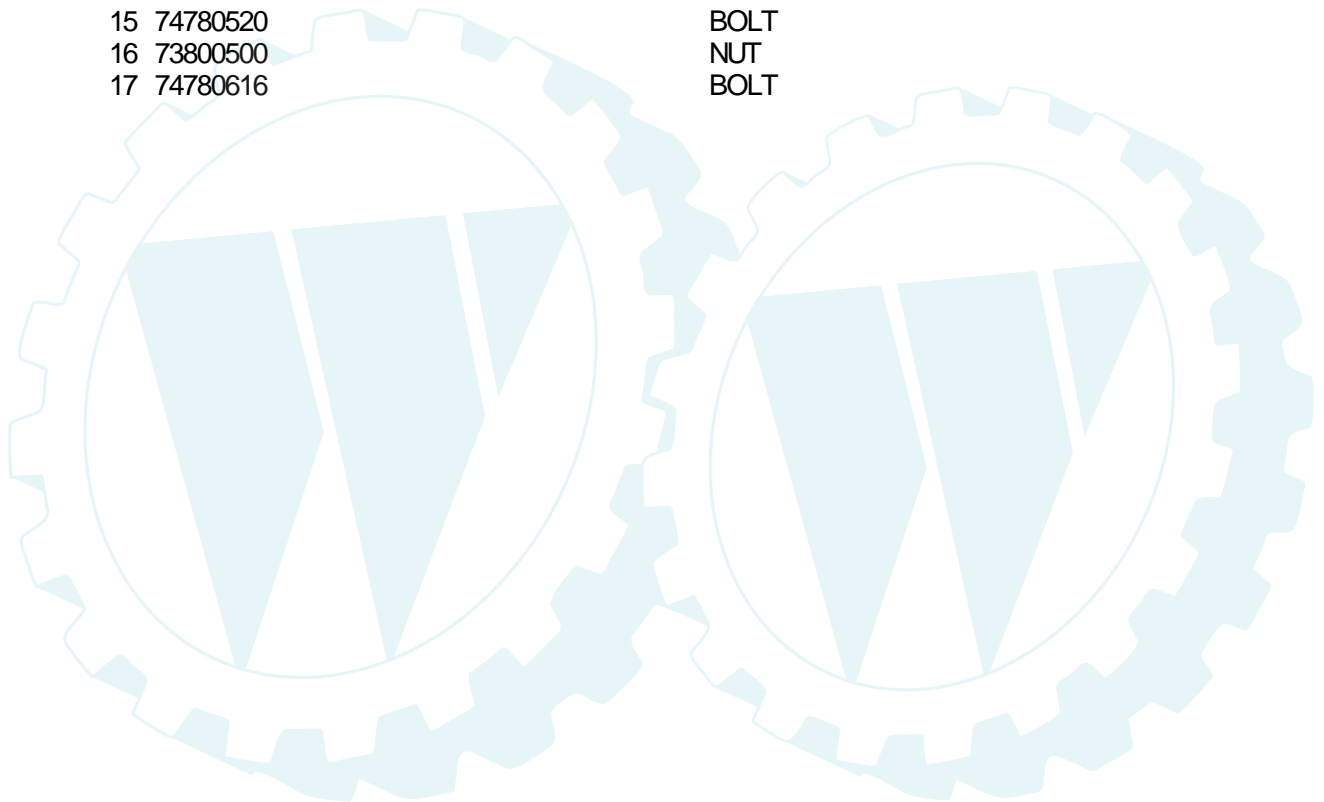
STEERING WHEEL



NOTE: All component dimensions given in U.S. Inches.
1 Inch = 25.4 mm.

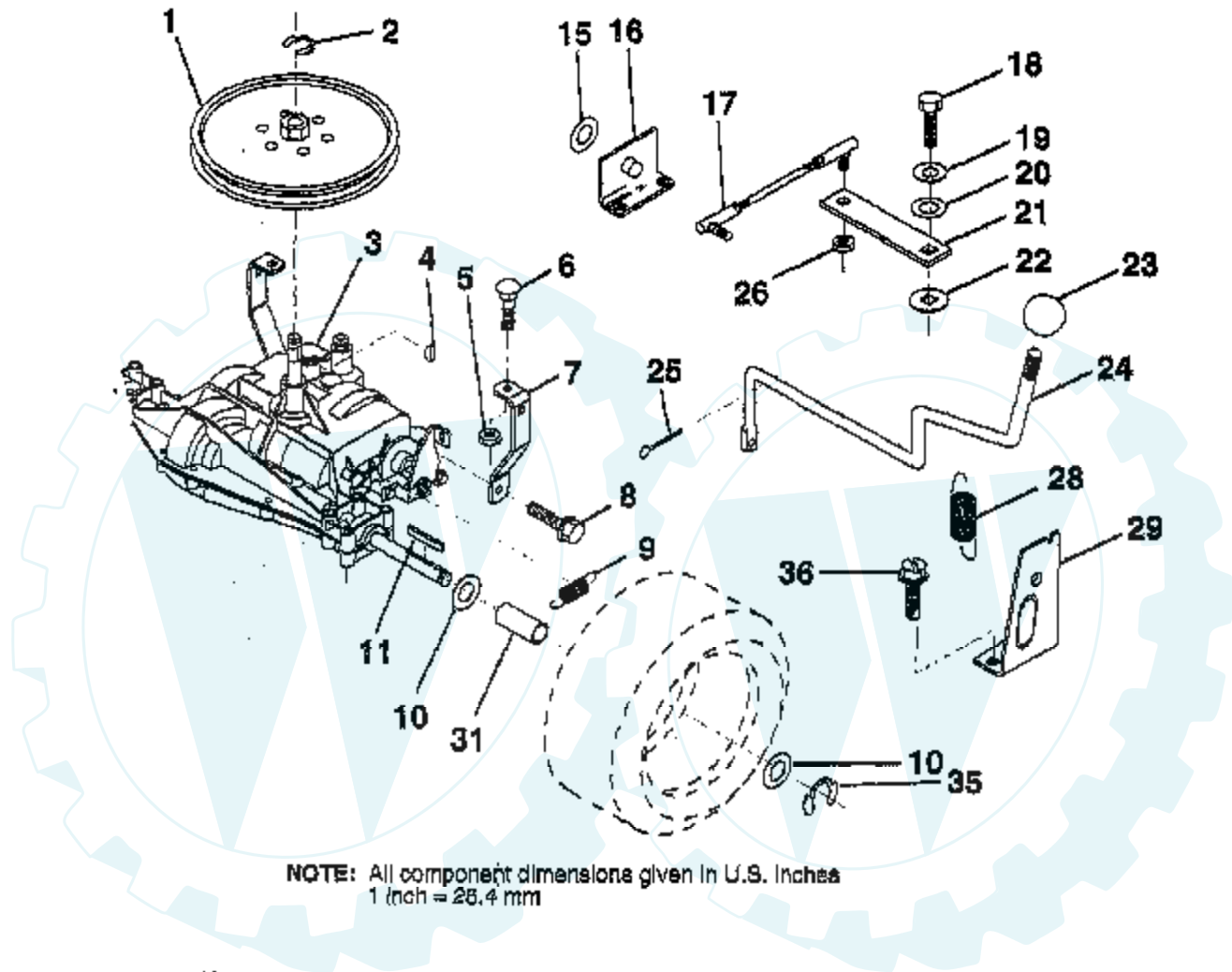
HARDWARE SHOWN LARGER FOR EASIER IDENTIFICATION

Ref #	Part Number	Qty	Description
1	133742		ST WHL INSERT CAP
2	10040600		LOCKWASHER
3	19133808		WASHER T
4	133741		SUB= 150547
5	121897X		SLEEVE STEERING
6	152927		"SCREW-TT,10-32 FL"
7	155104		BUSHING.STR.623
8	147391		SHAFT.STEERING.LR
9	124210X		STEERING CLIP
10	123438X		BUSHING STEER LWR
11	12000045		RING
12	19211616		WASHER LT
13	100711L		ADAPTER LT
14	153720		EXT SHAFT STEERIN
15	74780520		BOLT
16	73800500		NUT
17	74780616		BOLT



TRACTOR - - MODEL NUMBER WEX12B36A

TRANSAXLE

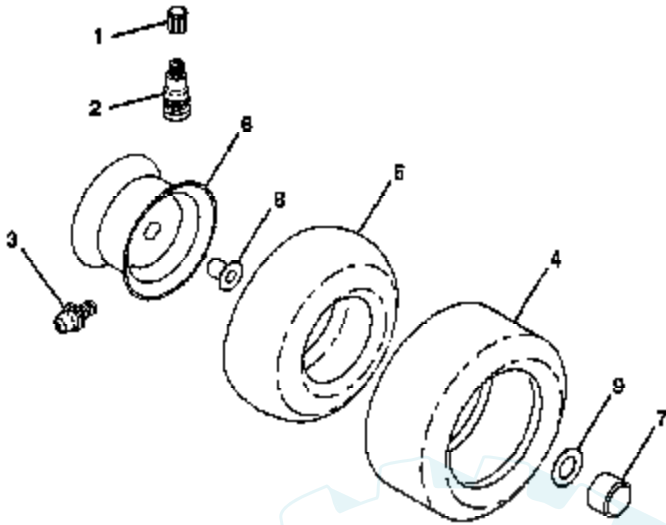


NOTE: All component dimensions given in U.S. inches
1 inch = 25.4 mm

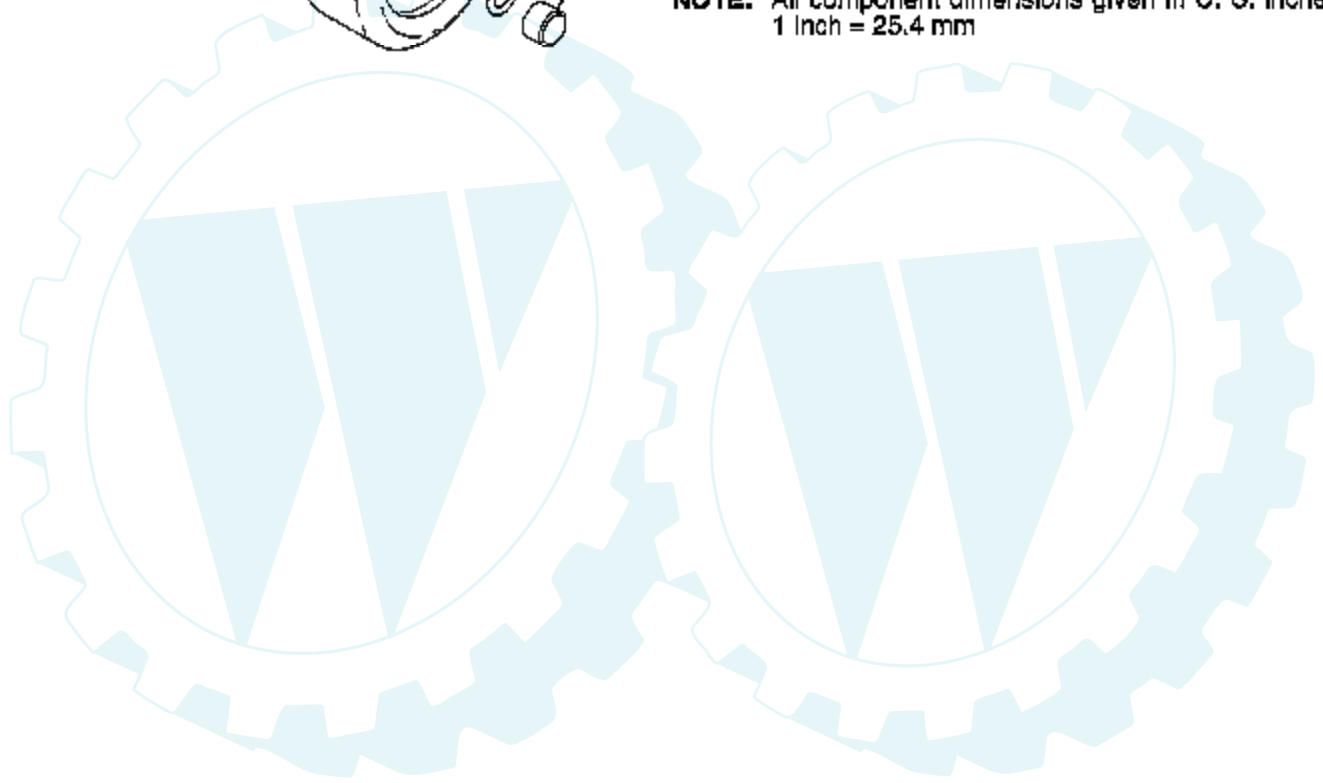
HARDWARE SHOWN LARGER FOR EASIER IDENTIFICATION

Ref #	Part Number	Qty	Description
1	123385X		PULLEY
2	12000028		SUB= 2267J
4	2228M		SUB= 2228M1
5	73680500		SUB= 73690500
6	72140506		BOLT
7	123378X		"STRAP,TORQUE"
8	17490512		SCREW
9	146682		SPRING.BRAKE.RETU
10	121749X		WASHER
11	123583X		SQUARE KEY
15	19171616		WASHER
16	124600X		"SUPT,HDLE SHT LH"
17	126293X		LINK SHIFT
18	74550412		BOLT.1/4-28.W/PAT
19	10040400		LOCKWASHER
20	19091210		WASHER LT
21	126292X		ARM SHIFT
22	105701X		WASH-SHFT PLT LT
23	106933X		KNOB T (1/2-HOLE)
24	128215		"ROD,SHIFT"
25	76020416		PIN COTTER 1/8
26	73810500		NUT.LOCK.5/16-24
28	128085		"SPRING,EXT"
29	128084		"SUPT,HDLE RH"
31	137057		SPACER AXLE
32	19111116		WASHER
35	12000001		E-RING LT
36	17720408		SCREW
38	74490544		BOLT.HX.FLG.5/16

TIRES & WHEELS



NOTE: All component dimensions given in U. S. inches
1 Inch = 25.4 mm



Ref #	Part Number	Qty	Description
1	59192		VALVE CAP
2	65139		VALVE STEM LT
3	278H		FITTING LT
4	137422		SUB= 122073X
4	132703		SUB= 532132703
5	59904		TUBE.5.3/4.5/6
5	8134H		TUBE.16X6.5/7.5-8
6	137237X427		"RIM FRONT 6""
6	140325X427		"RIM ASM REAR 8""
7	104757X		HUB CAP
8	9040H		"FLANGE, BEARING"
9	121748X		WASHER
	144334		SEALANT.TIRE 10 OZ. TUBE

