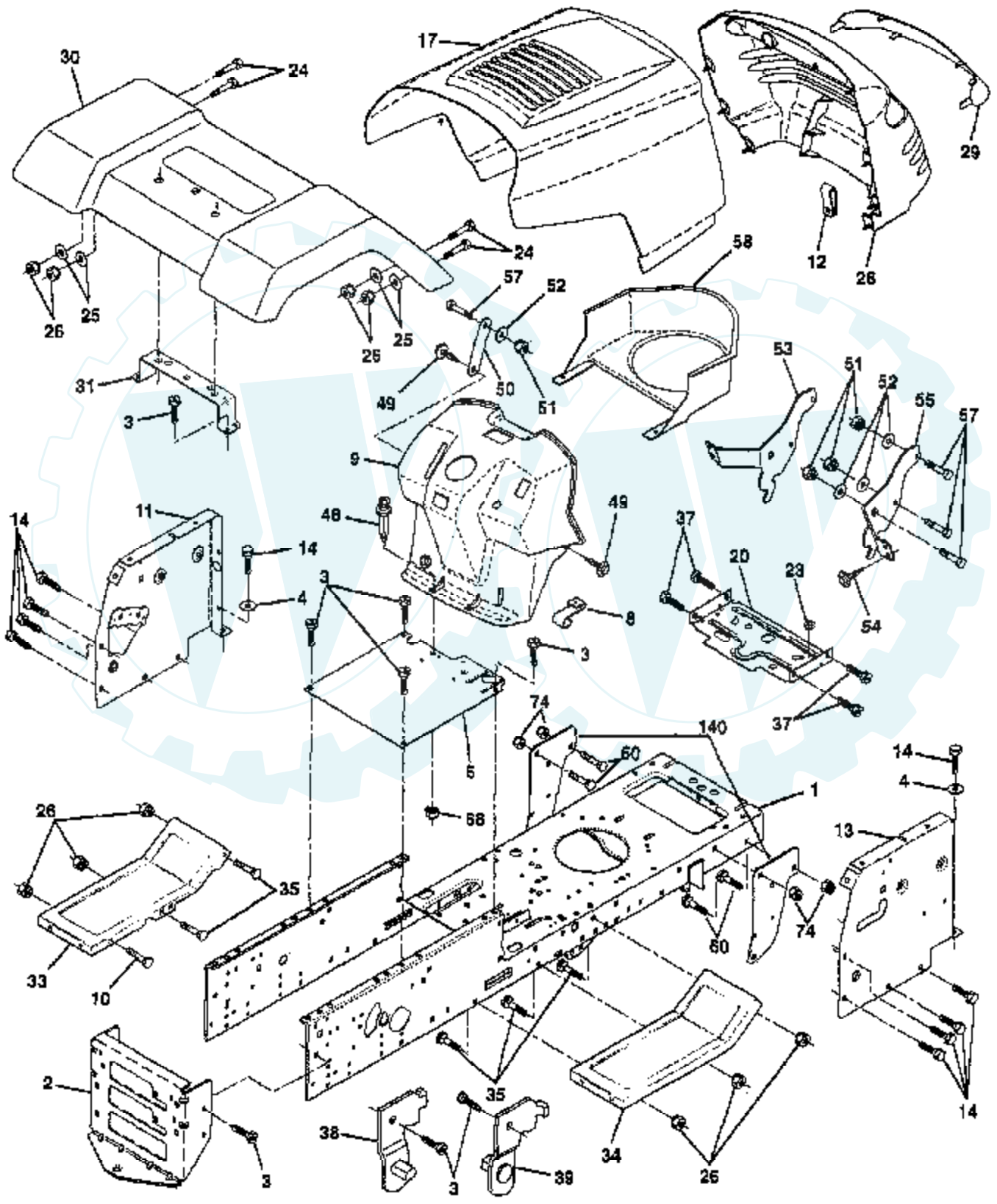


TRACTOR - MODEL NO. WER14542A

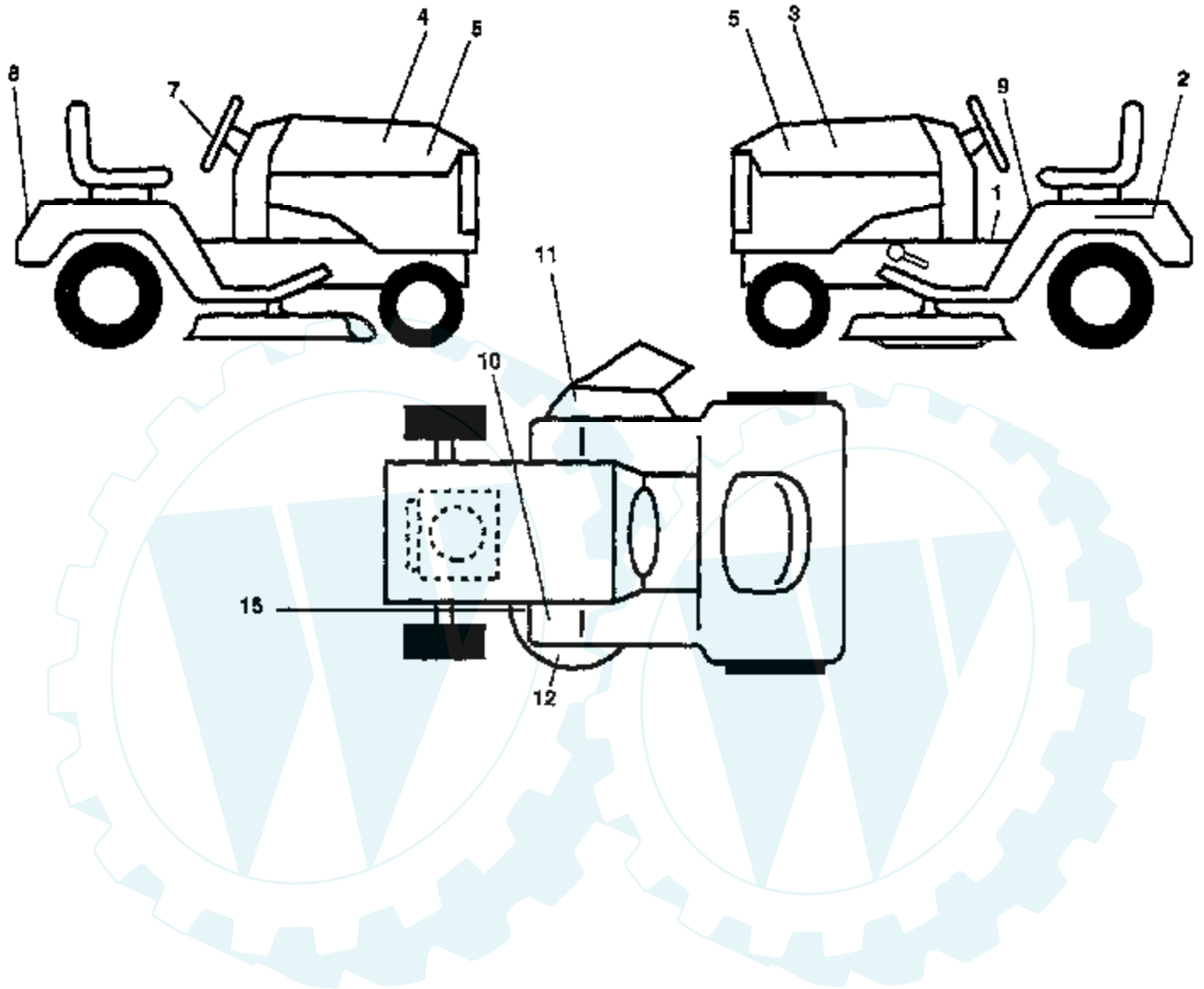
CHASSIS AND ENCLOSURES



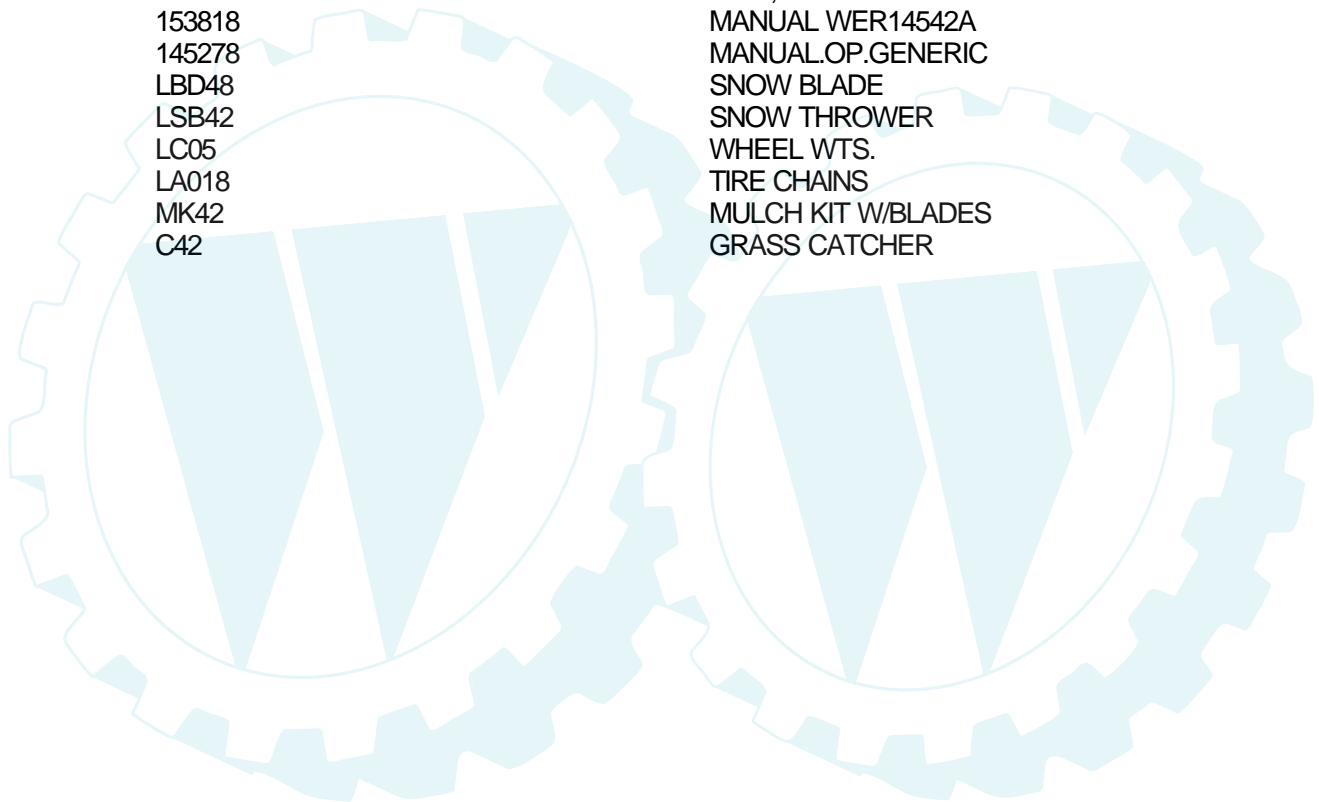
| Ref # | Part Number | Qty | Description |
|-------|-------------|-----|-------------------|
| 1 | 151169 | | CHASSIS WLDMT 11G |
| 2 | 140356 | | SUB= 145009 |
| 3 | 17490612 | | SCREW |
| 4 | 19131216 | | WASHER |
| 6 | 145206 | | SUB= 145206X431 |
| 8 | 126471X | | "CLIP,INSULATOR" |
| 9 | 140072 | | SUB= 532142465 |
| 10 | 72140608 | | SUB= 72110608 |
| 11 | 146965 | | PANEL.DASH.LH. |
| 12 | 145660 | | CLIP.TINNERMAN |
| 13 | 146959 | | PANEL.DASH.RH |
| 14 | 17490608 | | SCREW LT |
| 17 | 139394X550 | | SUB= 159639X550 |
| 20 | 145210 | | PLATE.MTG.BTRY.TK |
| 23 | 124028X | | SUB= 532124028 |
| 24 | 74780616 | | BOLT |
| 25 | 19131312 | | WASHER |
| 26 | 73800600 | | NUT |
| 28 | 140141 | | SUB= 157373 |
| 29 | 140273 | | LENS GRILLE |
| 30 | 140001X550 | | FENDER PNT |
| 31 | 136619 | | BRKT FENDER |
| 33 | 145244X550 | | FOOTREST.LH.LT/GT |
| 34 | 145243X550 | | FOOTREST.RH.LT/GT |
| 35 | 72110606 | | BOLT |
| 37 | 17490508 | | SCREW LT |
| 38 | 139886 | | BRACKET ASM LH |
| 39 | 139887 | | BRACKET ASM RH |
| 48 | 138096 | | RIVET.PUSH.PLATE |
| 49 | 17490412 | | SCREW HEX CRT |
| 50 | 142779 | | BRACE SUPT DASH |
| 51 | 73800400 | | NUT |
| 52 | 19091416 | | WASHER |
| 53 | 144697 | | BRACKET.GRILLE.LH |
| 54 | 17030814 | | SUB= 91817030814 |
| 55 | 144696 | | BRACKET.GRILLE.RH |
| 57 | 74780412 | | SUB= 74780414 |
| 58 | 150127 | | AIR DUCT |
| 60 | 72140606 | | BOLT |
| 68 | 73510400 | | NUT |
| 74 | 73680600 | | SUB= 73690600 |
| 140 | 150556 | | SUB= 158739 |
| | 5479J | | PLUG BUTTON T |
| | 134014 | | PLUG DOME |

TRACTOR - MODEL NO. WER14542A

DECALS

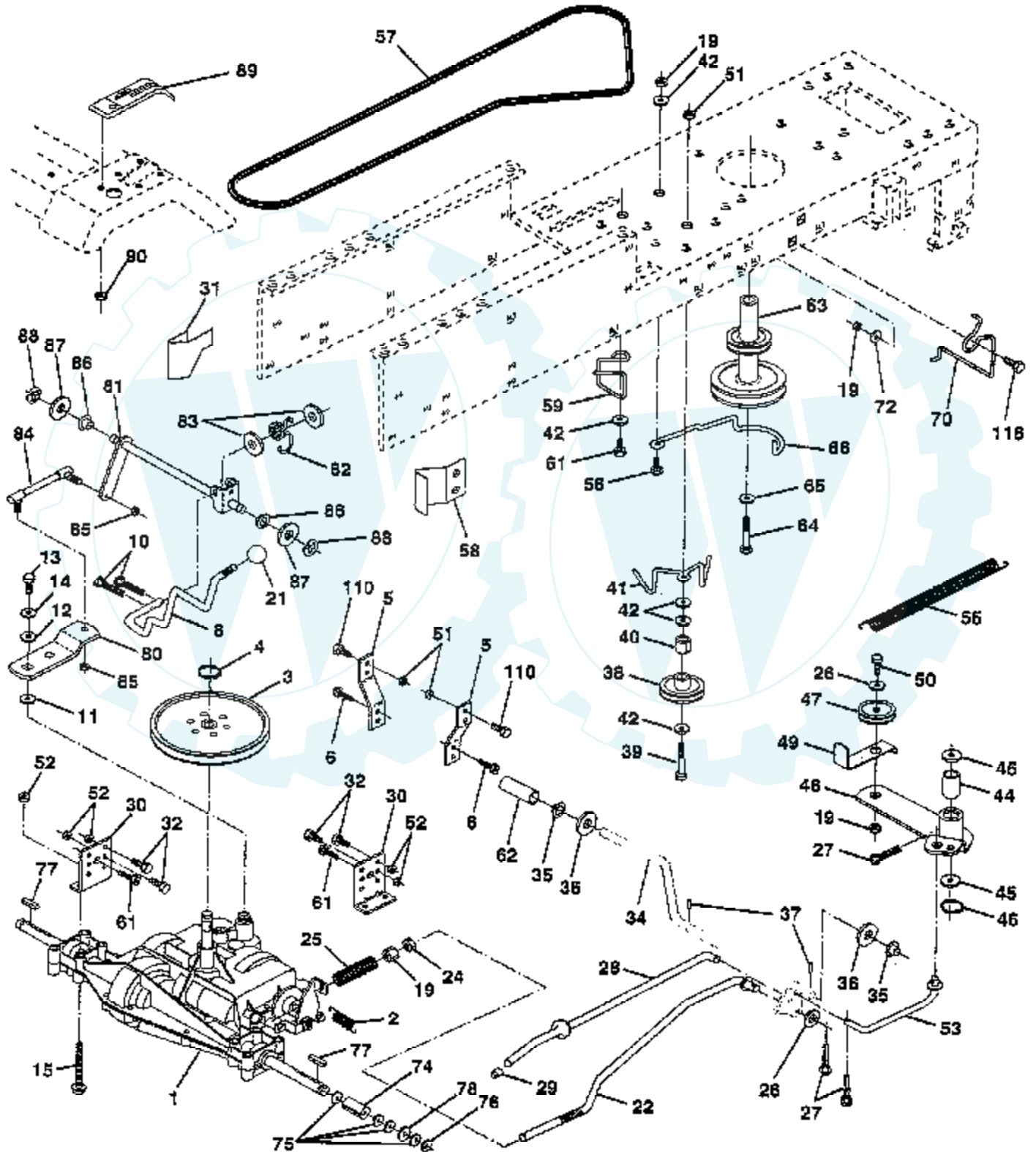


| Ref # | Part Number | Qty | Description |
|-------|-------------|-----|--------------------|
| 1 | 140820 | | DECAL DASH INS OP |
| 2 | 146451 | | DECAL.BTRY.DANGER |
| 3 | 152966 | | DECAL HOOD LH |
| 4 | 152964 | | DECAL. HOOD RH |
| 5 | 148390 | | DCL.PNL.SIDE. |
| 7 | 137042 | | DECAL.WHL.STRG. |
| 8 | 137043 | | DECAL.FENDER |
| 9 | 133795 | | DECAL CAUTION |
| 10 | 101892X | | DECAL T |
| 11 | 137259 | | "DECAL, WARNING" |
| 12 | 139376 | | DECAL.MOWER |
| 15 | 136832 | | DECAL |
| | 138311 | | DECAL HANDLE LIFT |
| | 131864 | | "PAD,FOOTREST" |
| | 153818 | | MANUAL WER14542A |
| | 145278 | | MANUAL.OP.GENERIC |
| | LBD48 | | SNOW BLADE |
| | LSB42 | | SNOW THROWER |
| | LC05 | | WHEEL WTS. |
| | LA018 | | TIRE CHAINS |
| | MK42 | | MULCH KIT W/BLADES |
| | C42 | | GRASS CATCHER |



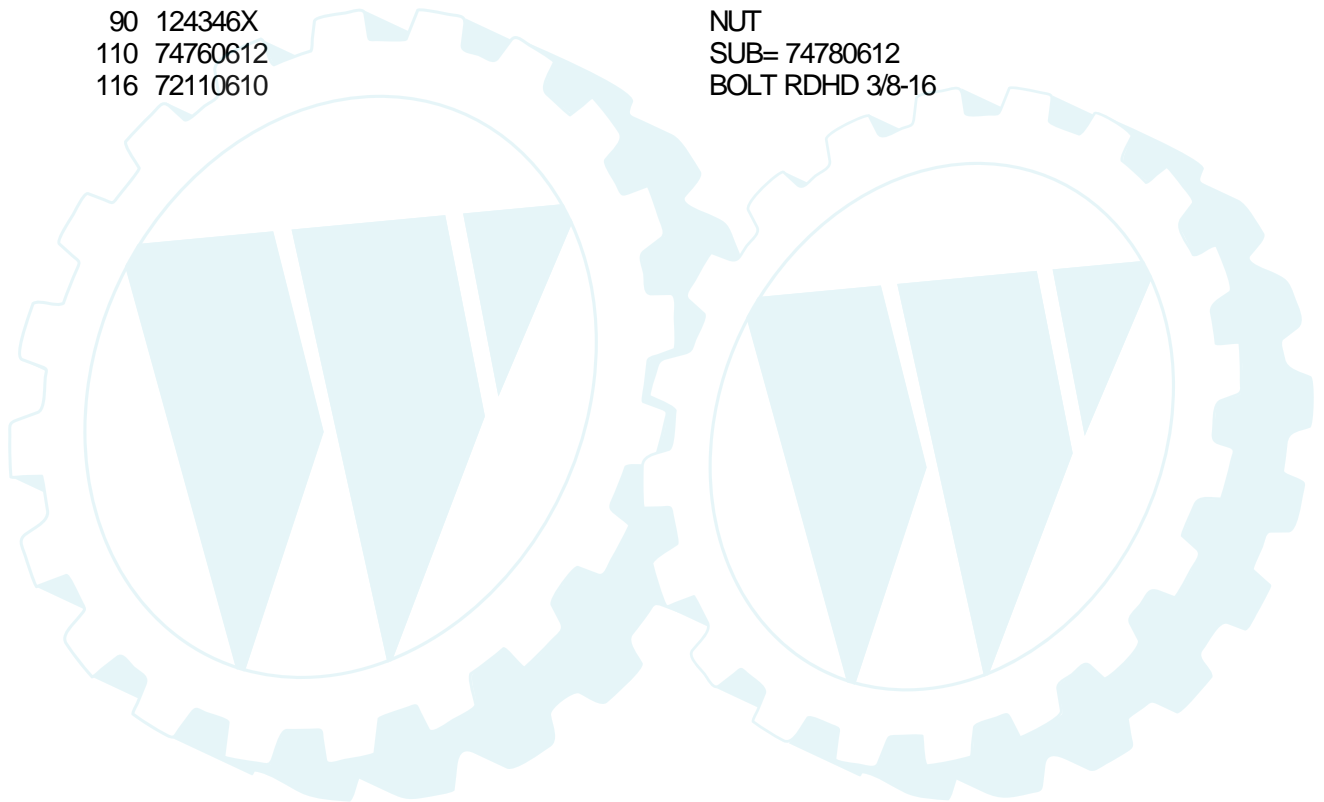
TRACTOR - MODEL NO. WER14542A

DRIVE



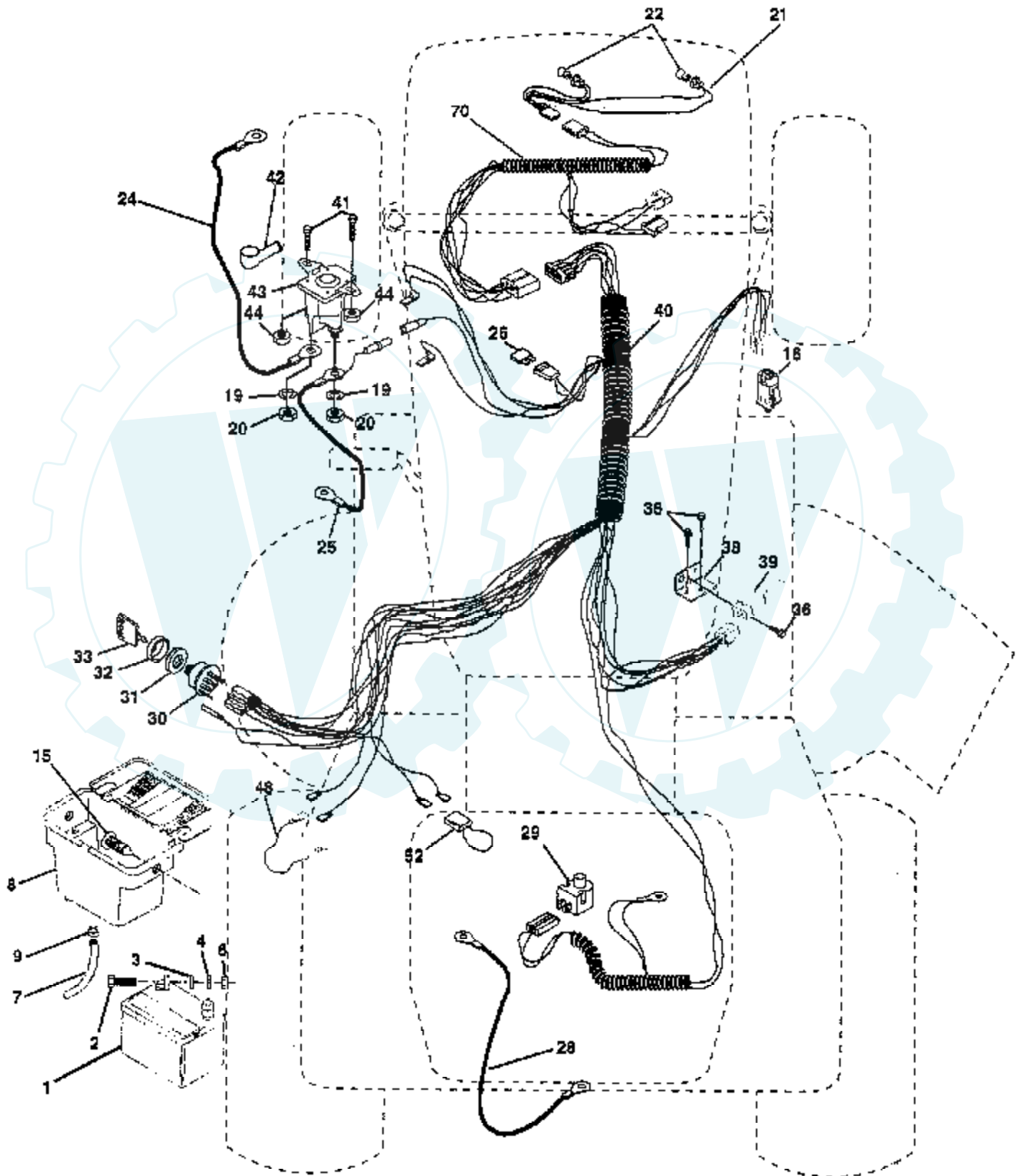
| Ref # | Part Number | Qty | Description |
|-------|-------------|-----|---------------------|
| 1 | 142603 | | SUB= 160664 |
| 2 | 146682 | | SPRING.BRAKE.RETU |
| 3 | 123666X | | PULLEY TRANS |
| 4 | 12000028 | | SUB= 2267J |
| 5 | 121520X | | STRAP TORQUE |
| 6 | 17490512 | | SCREW |
| 8 | 141003 | | ROD SHIFT FEND LT |
| 10 | 76020416 | | PIN COTTER 1/8 |
| 11 | 105701X | | WASH-SHFT PLT LT |
| 12 | 19151216 | | WASHER |
| 13 | 74550412 | | BOLT.1/4-28.W/PAT |
| 14 | 10040400 | | LOCKWASHER |
| 15 | 74490544 | | BOLT.HX.FLG.5/16 |
| 19 | 73800600 | | NUT |
| 21 | 106933X | | KNOB T (1/2-HOLE) |
| 22 | 130804 | | BRAKE ROD |
| 24 | 73350600 | | NUT |
| 25 | 106888X | | SPRING ROD LT |
| 26 | 19131316 | | WASHER |
| 27 | 76020412 | | COTTER PIN |
| 28 | 145204 | | ROD.BRAKE.PARK.LT |
| 29 | 071673 | | CAP PARKING BRAKE |
| 30 | 130807 | | TRANSAXLE MTG BKT |
| 31 | 127275X | | "KEEPER,BELT LH T" |
| 32 | 74760512 | | BOLT |
| 34 | 151128 | | SHAFT FOOT PEDAL |
| 35 | 120183X | | NYLON BEARING |
| 36 | 19211616 | | WASHER LT |
| 37 | 1572H | | SUB= 2882J |
| 38 | 123674X | | PULLEY.IDLER.FLAT |
| 39 | 74760644 | | BOLT |
| 40 | 4470J | | SPACER T |
| 41 | 153399 | | KEEPER BELT |
| 42 | 19131312 | | WASHER |
| 44 | 105706X | | "LY, BEARING" |
| 45 | 110812X | | WASHER LT |
| 46 | 12000039 | | KLIP RING |
| 47 | 127783 | | SUB= 139245 |
| 48 | 123789X | | ARM IDLER |
| 49 | 123205X | | RETAIN BELT |
| 50 | 74760624 | | SUB= 74930624 |
| 51 | 73680600 | | SUB= 73690600 |
| 52 | 73680500 | | SUB= 73690500 |
| 53 | 105710X | | "LINK, CLUTCH T" |
| 55 | 105709X | | "SPRING, RETURN LT" |
| 56 | 74760620 | | SUB= 74780620 |
| 57 | 130801 | | SUB= 138255 |
| 58 | 127274X | | "KEEPER,BELT RH T" |
| 59 | 140312 | | KEEPER BELT CNTSP |
| 61 | 17490612 | | SCREW |
| 62 | 8883R | | PEDAL COVER T |
| 63 | 140186 | | PULLEY.ENGINE |
| 64 | 71170764 | | BOLT |
| 65 | 10040700 | | LOCKWASHER |
| 66 | 153400 | | SUB= 129921 |
| 70 | 134683 | | KEEPER BELT ENG |
| 72 | 19132012 | | WASHER |
| 74 | 109502X | | SPACER LT |

| Ref # | Part Number | Qty | Description |
|-------|-------------|-----|------------------------|
| 75 | 121749X | | WASHER |
| 76 | 12000001 | | E-RING LT |
| 77 | 123583X | | SQUARE KEY |
| 78 | 121748X | | WASHER |
| 80 | 131488 | | SHIFT LEVER |
| 81 | 136932 | | SHAFT ASM SHIFT |
| 82 | 123782X | | "SPRING,TORSION" |
| 83 | 19171216 | | WASHER |
| 84 | 132182 | | TIE ROD |
| 85 | 150360 | | NUT.CNT.LOCK.1/4 |
| 86 | 071208 | | BUSHING ROD 629/632 LD |
| 87 | 19212016 | | WASHER D |
| 88 | 12000008 | | KLIP RING |
| 89 | 139964 | | SUB= 918139964 |
| 90 | 124346X | | NUT |
| 110 | 74760612 | | SUB= 74780612 |
| 116 | 72110610 | | BOLT RDHD 3/8-16 |



TRACTOR - MODEL NO. WER14542A

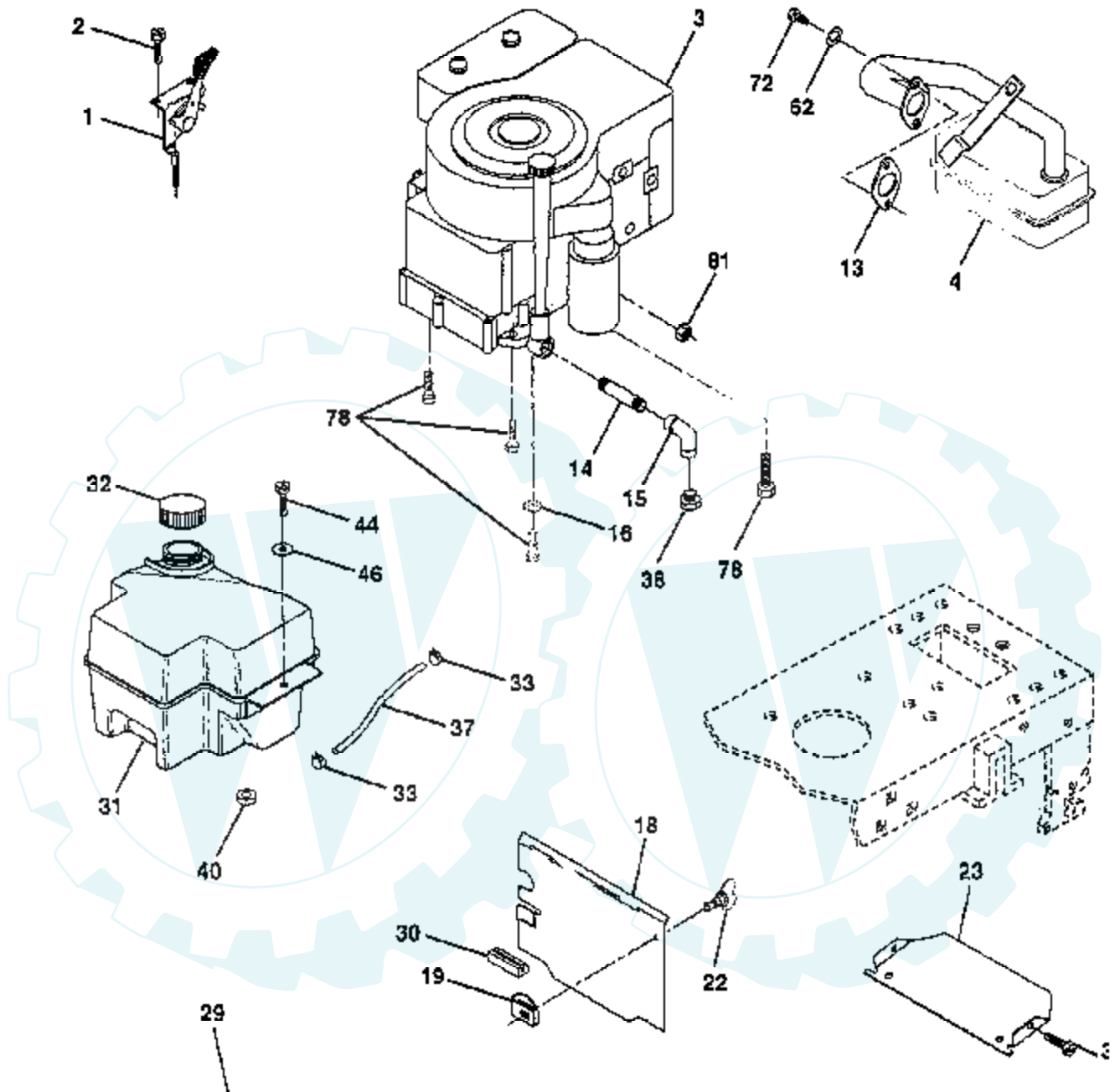
ELECTRICAL



| Ref # | Part Number | Qty | Description |
|-------|-------------|-----|--------------------|
| 1 | 146139 | | SUB= 123899X |
| 2 | 74760412 | | BOLT LT |
| 3 | 19091016 | | WASHER |
| 4 | 10040400 | | LOCKWASHER |
| 6 | 73220400 | | SUB= 50675 |
| 7 | 109238X | | TUBE T |
| 8 | 144940 | | SUB= 156417 |
| 9 | 109596X | | HOSE CLAMP T |
| 15 | 147688 | | FASTNER.SNAP-IN |
| 16 | 153664 | | SWITCH INTERLOCK |
| 19 | 10090400 | | SUB= 10040400 |
| 20 | 73350400 | | NUT |
| 21 | 136850 | | "HARNES,LIGHT SOC" |
| 22 | 4152J | | HEADLAMP BULB |
| 24 | 4799J | | "CABLE T, BATTERY" |
| 25 | 146147 | | CABLE.BTRY.6GA.RD |
| 26 | 108824X | | FUSE HYT |
| 28 | 4207J | | CABLE T |
| 29 | 121305X | | SWITCH SEAT |
| 30 | 140301 | | SWITCH IGN 4POS |
| 31 | 124211X | | NUT IGNITION |
| 32 | 141226 | | COVER KEY SWITCH |
| 33 | 122147X | | KEY |
| 36 | 17021008 | | SCREW |
| 38 | 140336 | | BRACKET SWITCH IN |
| 39 | 109553X | | SWITCH INTERLOCKT |
| 40 | 151212 | | HARNES.IGNITION |
| 41 | 71110408 | | BOLT HXHD FIN |
| 42 | 131563 | | SUB= 154336 |
| 43 | 145673 | | SUB= 146154 |
| 44 | 73640400 | | NUT HXKEP 1/4X20 |
| 48 | 140844 | | ADAPTER AMMETER |
| 52 | 141940 | | PROTECTION LOOP |
| 70 | 141164 | | HARNES ENGINE |

TRACTOR - MODEL NO. WER14542A

ENGINE



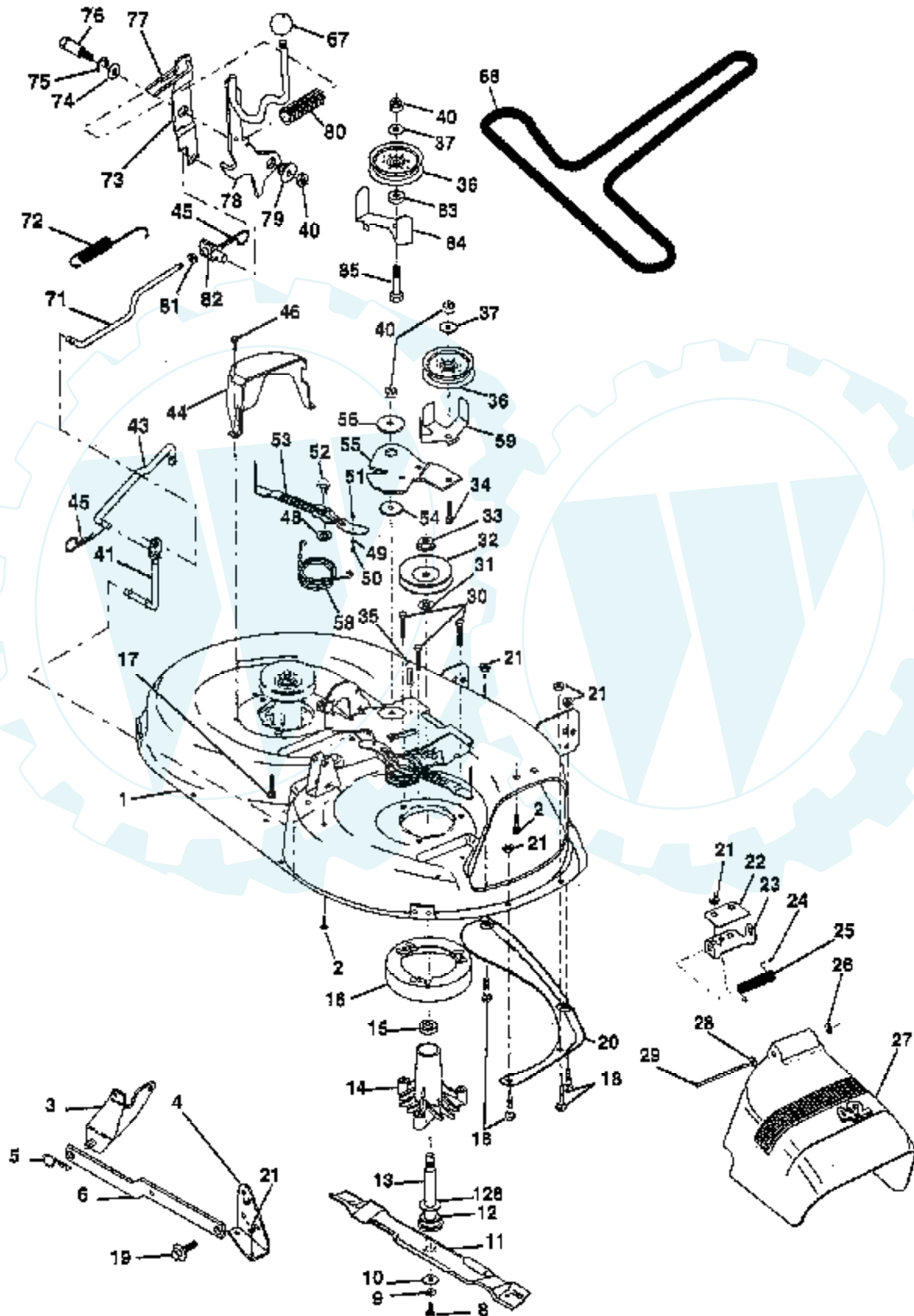
OPTIONAL EQUIPMENT
Spark Arrester

NOTE: All component dimensions given in U.S. inches
1 inch = 25.4 mm

| Ref # | Part Number | Qty | Description |
|-------|-------------|-----|--------------------------------|
| 1 | 140310 | | CONTROL THROTTLE |
| 2 | 17720410 | | SCREW LT |
| 3 | 287707 | | ENGINE B&S |
| 4 | 137352 | | MUFFLER |
| 13 | 272293 | | GASKET ENG 1 313 LD TIN PLATED |
| 14 | 13280324 | | PIPE NIPPLE |
| 15 | 13200300 | | ELBOW |
| 16 | 11050600 | | LOCKWASHER |
| 18 | 136718 | | SHIELD HEAT |
| 19 | 105839X | | RECEPTACLE LT |
| 22 | 149793 | | "STUD 1/4 TURN,BUS" |
| 23 | 150554 | | SUB= 157405 |
| 29 | 137180 | | SUB= 532137180 |
| 30 | 127057X | | SUB= 532127057 |
| 31 | 140280 | | SUB= 161911 |
| 32 | 140527 | | CAP ASM FUEL |
| 33 | 123487X | | HOSE CLAMP |
| 35 | 17490512 | | SCREW |
| 37 | 137040 | | LINE FUEL |
| 38 | | | CHECK WITH SUPPLIER |
| 40 | 124028X | | SUB= 532124028 |
| 44 | 17490412 | | SCREW HEX CRT |
| 46 | 19091416 | | WASHER |
| 62 | 10040500 | | LOCKWASHER |
| 72 | 71070512 | | SCREW |
| 78 | 17490620 | | SCREW |
| 81 | 128861 | | NUT |

TRACTOR - MODEL NO. WER14542A

MOWER DECK



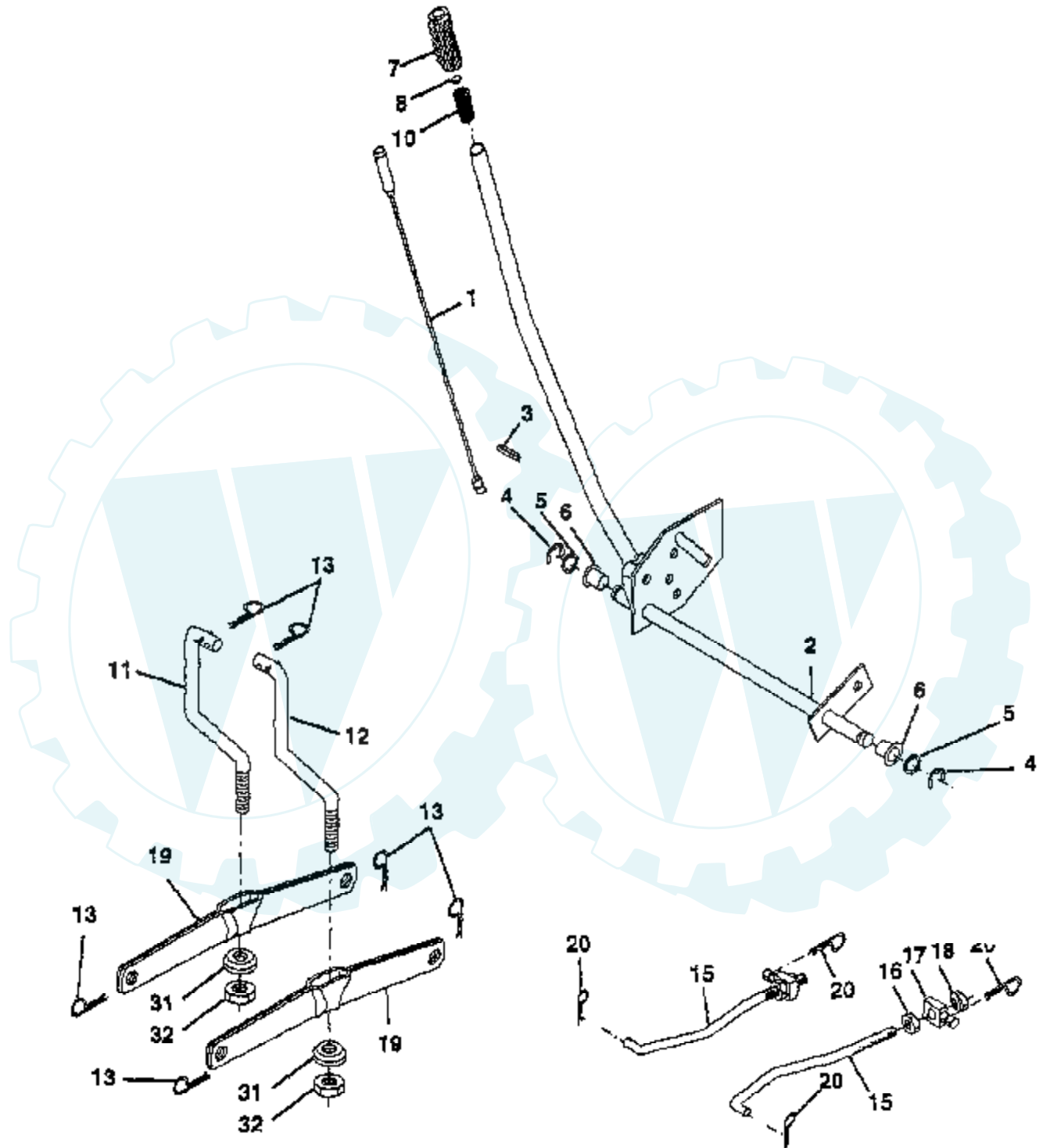
| Ref # | Part Number | Qty | Description |
|-------|-------------|-----|----------------------|
| 1 | 144393 | | DECK.WELD.42. |
| 2 | 72140506 | | BOLT |
| 3 | 138017 | | BRKT ASM SWAY BAR |
| 4 | 138440 | | BRKT DECK SW BAR |
| 5 | 4939M | | SUB= 85902 |
| 6 | 130832 | | SUB= 130833 |
| 8 | 850857 | | BLADE BOLT |
| 9 | 10030600 | | SUB= 10040600 |
| 10 | 140296 | | WASHER.HARD.BLADE |
| 11 | 138498 | | "BLADE.42"" HIPERF" |
| 12 | 129895 | | BEARING.BALL |
| 13 | 137645 | | SUB= 137646 |
| 14 | 128774 | | HSG ASM MANDREL |
| 15 | 110485X | | BEARING |
| 16 | 140329 | | STRIPPER RND MWR |
| 17 | 72110610X | | BOLT, 3/8-16 X 1-1/4 |
| 18 | 72140505 | | BOLT |
| 19 | 132827 | | BOLT SHD 5/16-18 |
| 20 | 136888 | | SUB= 918136888 |
| 21 | 73680500 | | SUB= 73690500 |
| 22 | 134753 | | STIFFENER BRKT |
| 23 | 131267 | | DEFLECTOR BRKT |
| 24 | 105304X | | CAP-SLEEVE LT |
| 25 | 123713X | | SPRING TORSION |
| 26 | 110452X | | NUT PUSH M |
| 27 | 130968 | | DEFLECTOR.SHIELD |
| 28 | 19111016 | | WASHER |
| 29 | 131491 | | HINGE ROD |
| 30 | 138776 | | SUB= 157722 |
| 31 | 129963 | | WASHER |
| 32 | 153535 | | PULLEY.MANDREL.42 |
| 33 | 137266 | | SUB= 139729 |
| 34 | 72110614 | | BOLT |
| 35 | 133835 | | XMAS TREE FASTNER |
| 36 | 131494 | | FLAT IDLER PULLEY |
| 37 | 19131316 | | WASHER |
| 40 | 73680600 | | SUB= 73690600 |
| 41 | 133551 | | PIVOT ROD |
| 43 | 140083 | | ROD CLUTCH W/NIBS |
| 44 | 140088 | | GUARD MAND LH BLK |
| 45 | 4497H | | RETAINER M |
| 46 | 137729 | | SCREW.1/4-20X5/8 |
| 48 | 133944 | | HARD SMALL WASHER |
| 49 | 133940 | | SUB= 151785 |
| 50 | 131340 | | SHOULDER BOLT |
| 51 | 69180 | | LOCKNUT |
| 52 | 139888 | | BOLT.SHLD.5/16-18 |
| 53 | 131845 | | BRAKE PAD ARM ASM |
| 54 | 133943 | | HARDENED WASHER |
| 55 | 140084 | | SUB= 151785 |
| 56 | 122052X | | SPACER RETAINER |
| 58 | 140086 | | SPRING TORSN BRAK |
| 59 | 141043 | | GUARD IDLER TUV |
| 67 | 106933X | | KNOB T (1/2-HOLE) |
| 68 | 144200 | | BELT.V.T-PATH |
| 71 | 142427 | | ROD CLUTCH 38/42 |
| 72 | 131870 | | RETURN SPRING |
| 73 | 127847 | | CLUTCH ARM SECOND |

| Ref # | Part Number | Qty | Description |
|-------|-------------|-----|-------------------|
| 74 | 121748X | | WASHER |
| 75 | 12000029 | | RING |
| 76 | 128903 | | SHOULDER BOLT |
| 77 | 127845 | | SPRING KEEPER |
| 78 | 140179 | | LEVER ASM CLT PRM |
| 79 | 127498 | | BUSHING |
| 80 | 153701 | | SPRING.CLUTCH.MWR |
| 81 | 73350600 | | NUT |
| 82 | 142028 | | TRUNION ADJ |
| 83 | 120958X | | WASHER |
| 84 | 144394 | | SUB= 156084 |
| 85 | 72140618 | | BOLT RDHD 3/8-16 |
| 128 | 153390 | | WASHER.FELT. |
| | 130794 | | MANDREL ASM |



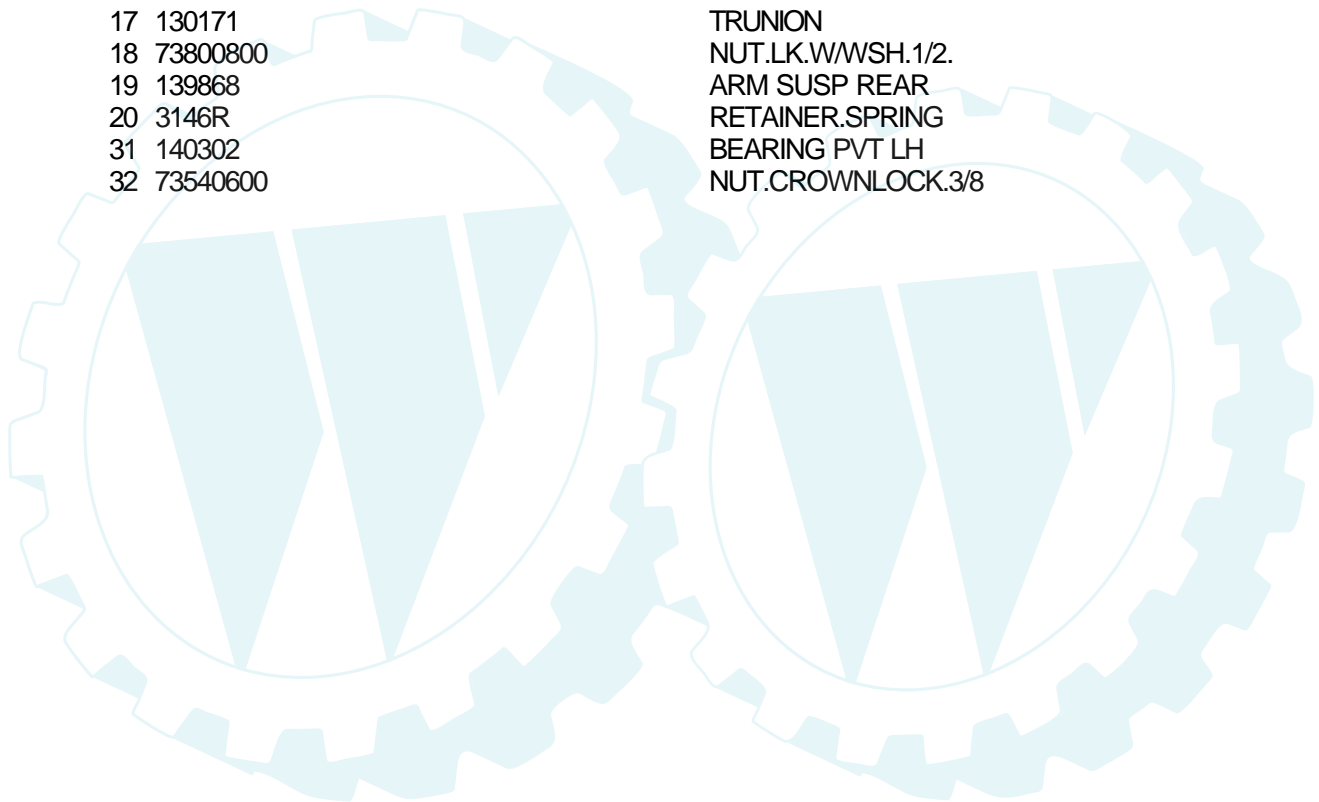
TRACTOR - MODEL NO. WER14542A

MOWER LIFT



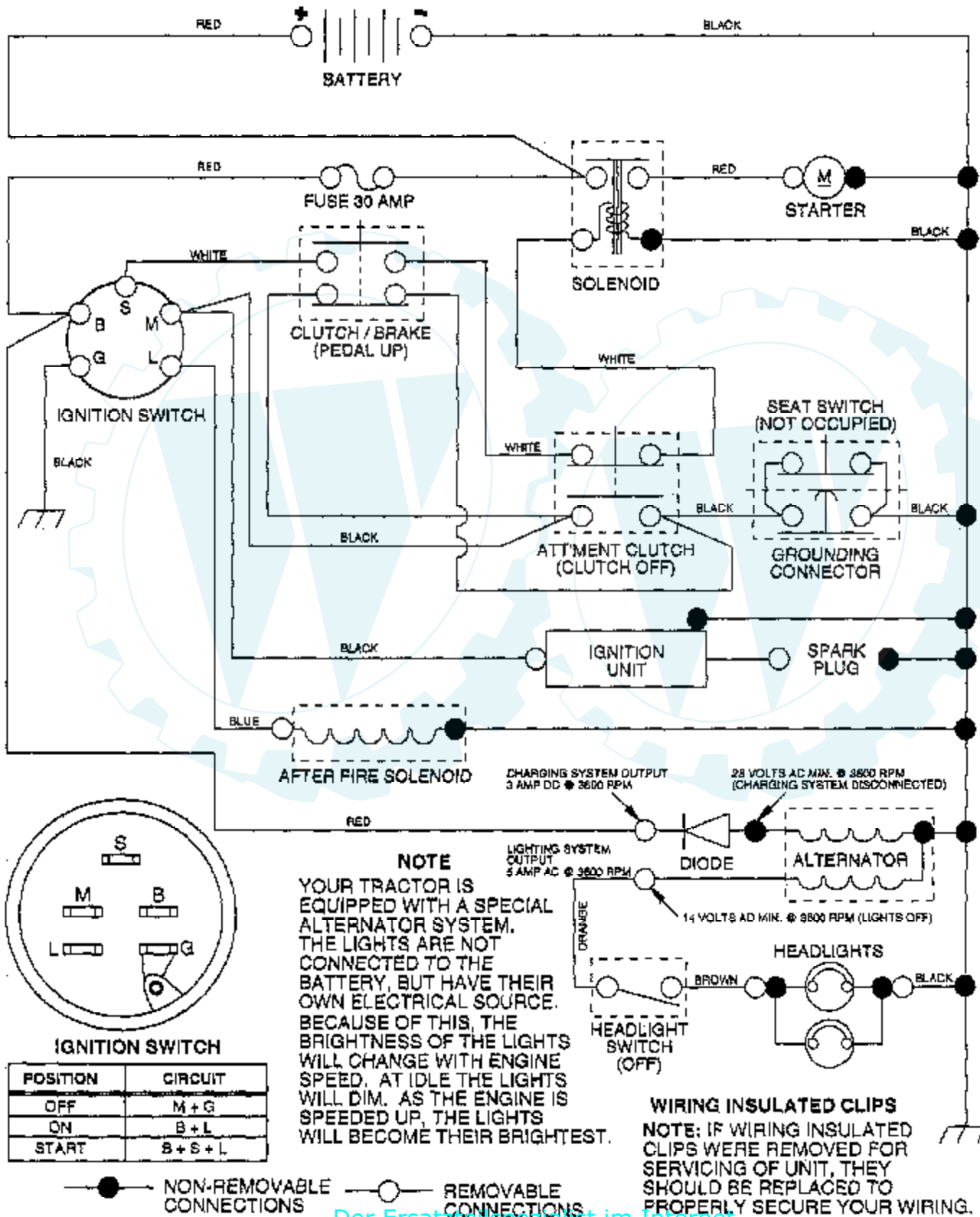
NOTE: All component dimensions given in U.S. Inches
1 inch = 25.4 mm

| Ref # | Part Number | Qty | Description |
|-------|-------------|-----|-------------------|
| 1 | 136973 | | WIRE ASM |
| 2 | 140278 | | HANDLE.LIFT.LH. |
| 3 | 138284 | | PIN GROOVE |
| 4 | 12000002 | | SUB= 2225J |
| 5 | 19211621 | | WASHER |
| 6 | 120183X | | NYLON BEARING |
| 7 | 109412X | | CAP T |
| 8 | 124526X | | SUB= 125925X |
| 10 | 122512X | | SUB= 532122512 |
| 11 | 139865 | | SUB= 918139865 |
| 12 | 139866 | | SUB= 151140 |
| 13 | 4939M | | SUB= 85902 |
| 15 | 127218 | | LINK.FRONT |
| 16 | 73350800 | | NUT |
| 17 | 130171 | | TRUNION |
| 18 | 73800800 | | NUT.LK.W/WSH.1/2. |
| 19 | 139868 | | ARM SUSP REAR |
| 20 | 3146R | | RETAINER.SPRING |
| 31 | 140302 | | BEARING PVT LH |
| 32 | 73540600 | | NUT.CROWNLOCK.3/8 |



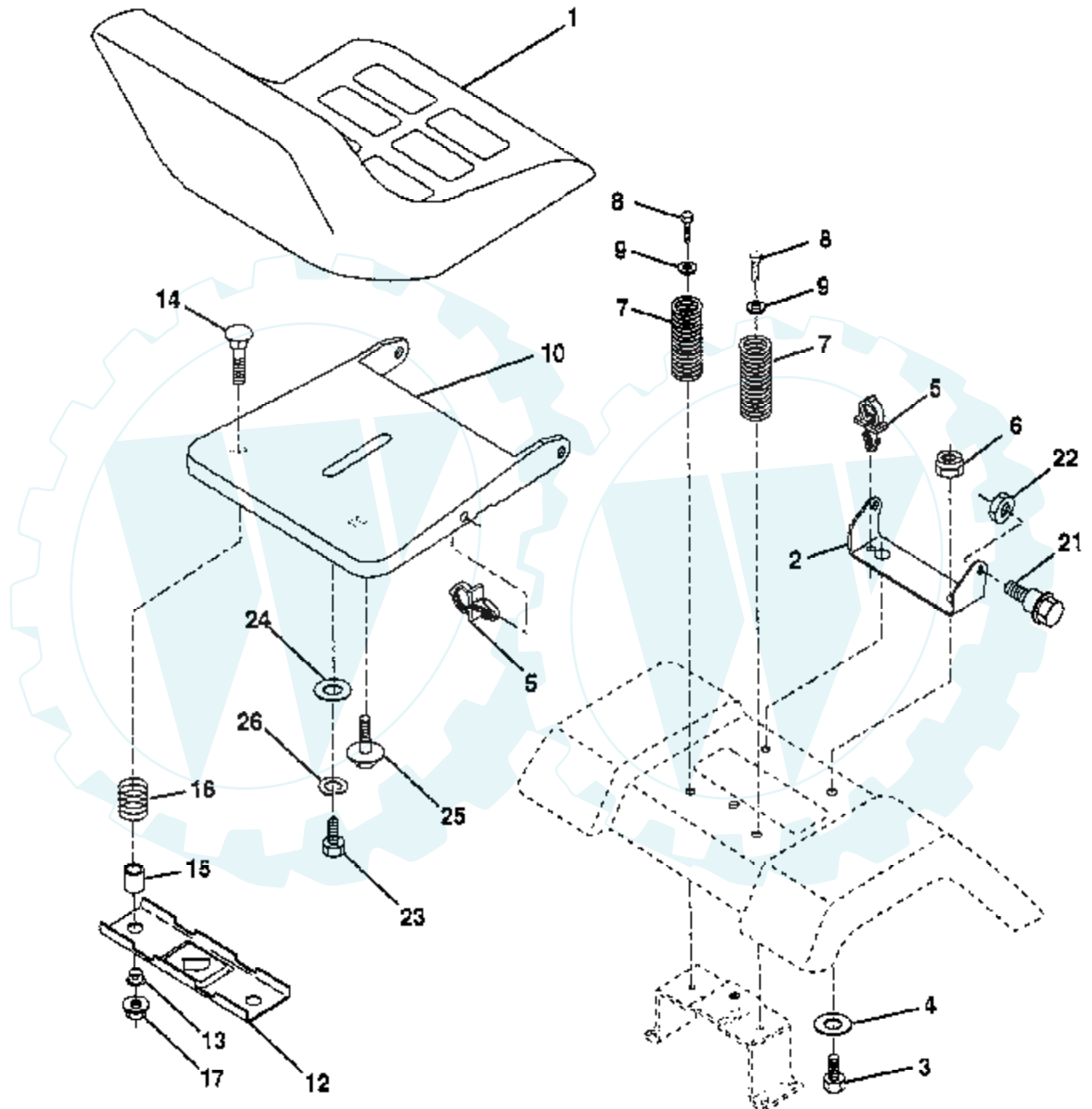
TRACTOR - MODEL NO. WER14542A

SCHEMATIC



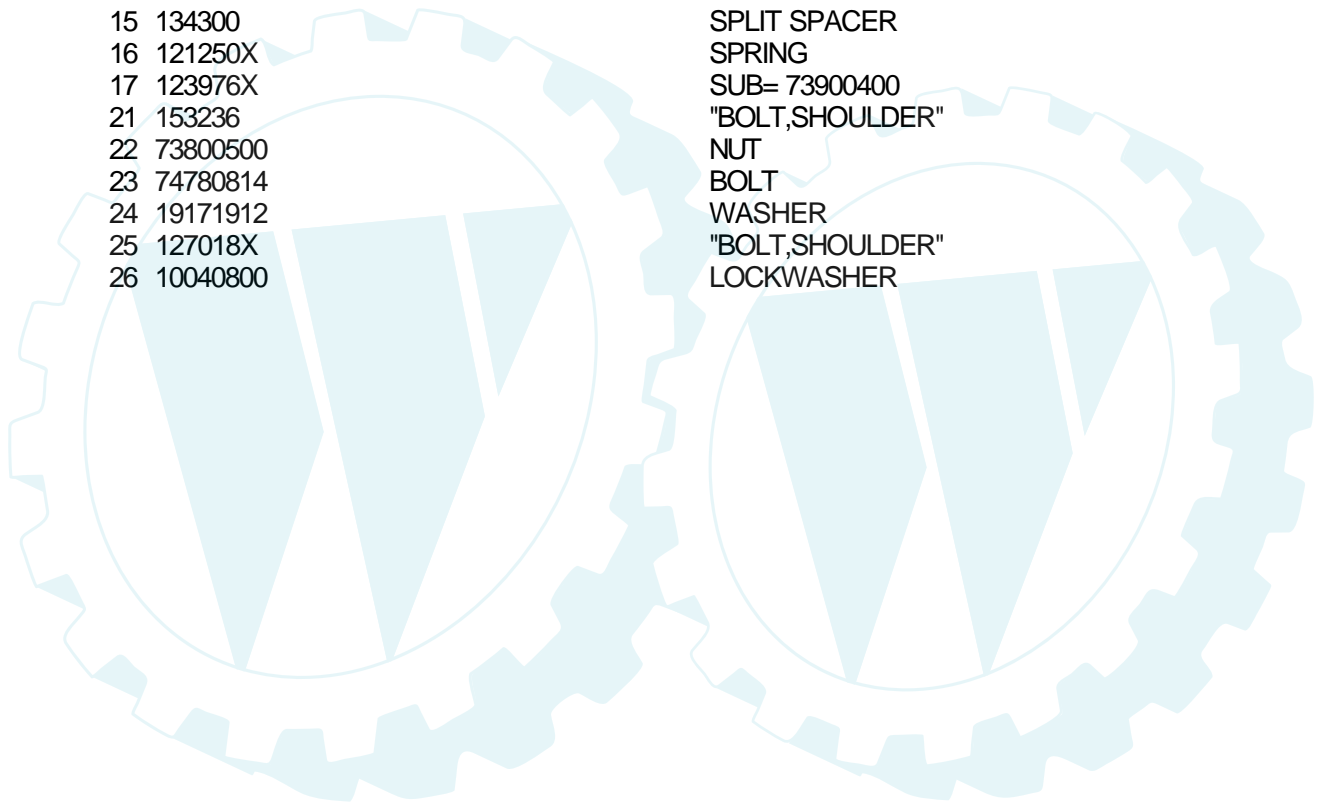
TRACTOR - MODEL NO. WER14542A

SEAT ASSEMBLY



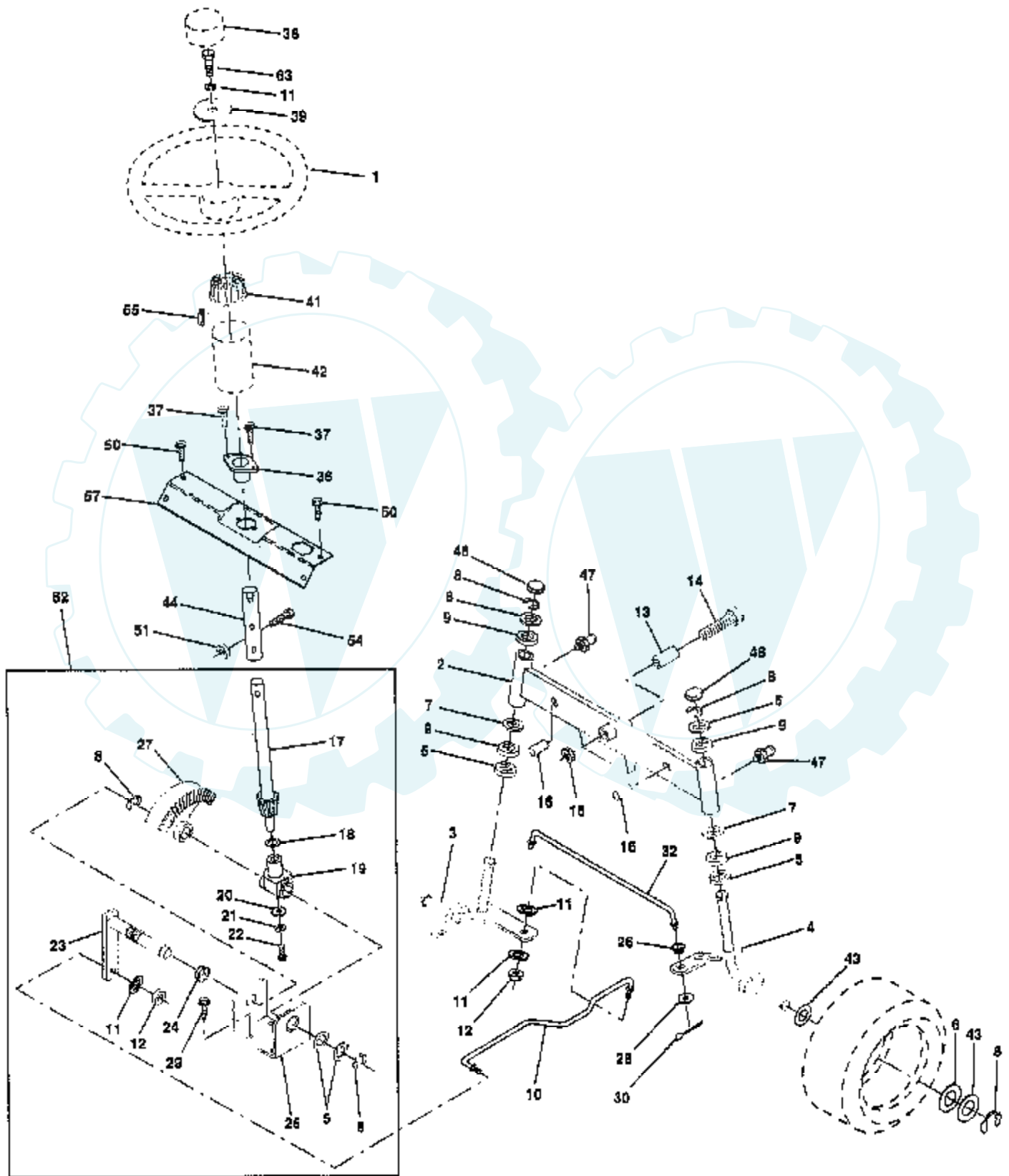
NOTE: All component dimensions given in U.S. Inches.
1 inch = 25.4 mm

| Ref # | Part Number | Qty | Description |
|-------|-------------|-----|-------------------|
| 1 | 127427 | | SUB= 140119 |
| 2 | 140551 | | BRACKET PVT SEAT |
| 3 | 74760616 | | BOLT |
| 4 | 19131610 | | WASHER PM |
| 5 | 145006 | | CLIP.PUSH-IN.HING |
| 6 | 73800600 | | NUT |
| 7 | 124181X | | SPRING COMPRESSIO |
| 8 | 17490616 | | SCREW GTV |
| 9 | 19131614 | | WASHER |
| 10 | 140552 | | SUB= 155925 |
| 11 | 120068X | | "KNOB 1/2"" YT" |
| 12 | 121246X | | BRKT SWITCH |
| 13 | 121248X | | BUSHING |
| 14 | 72050411 | | SUB= 872050411 |
| 15 | 134300 | | SPLIT SPACER |
| 16 | 121250X | | SPRING |
| 17 | 123976X | | SUB= 73900400 |
| 21 | 153236 | | "BOLT,SHOULDER" |
| 22 | 73800500 | | NUT |
| 23 | 74780814 | | BOLT |
| 24 | 19171912 | | WASHER |
| 25 | 127018X | | "BOLT,SHOULDER" |
| 26 | 10040800 | | LOCKWASHER |



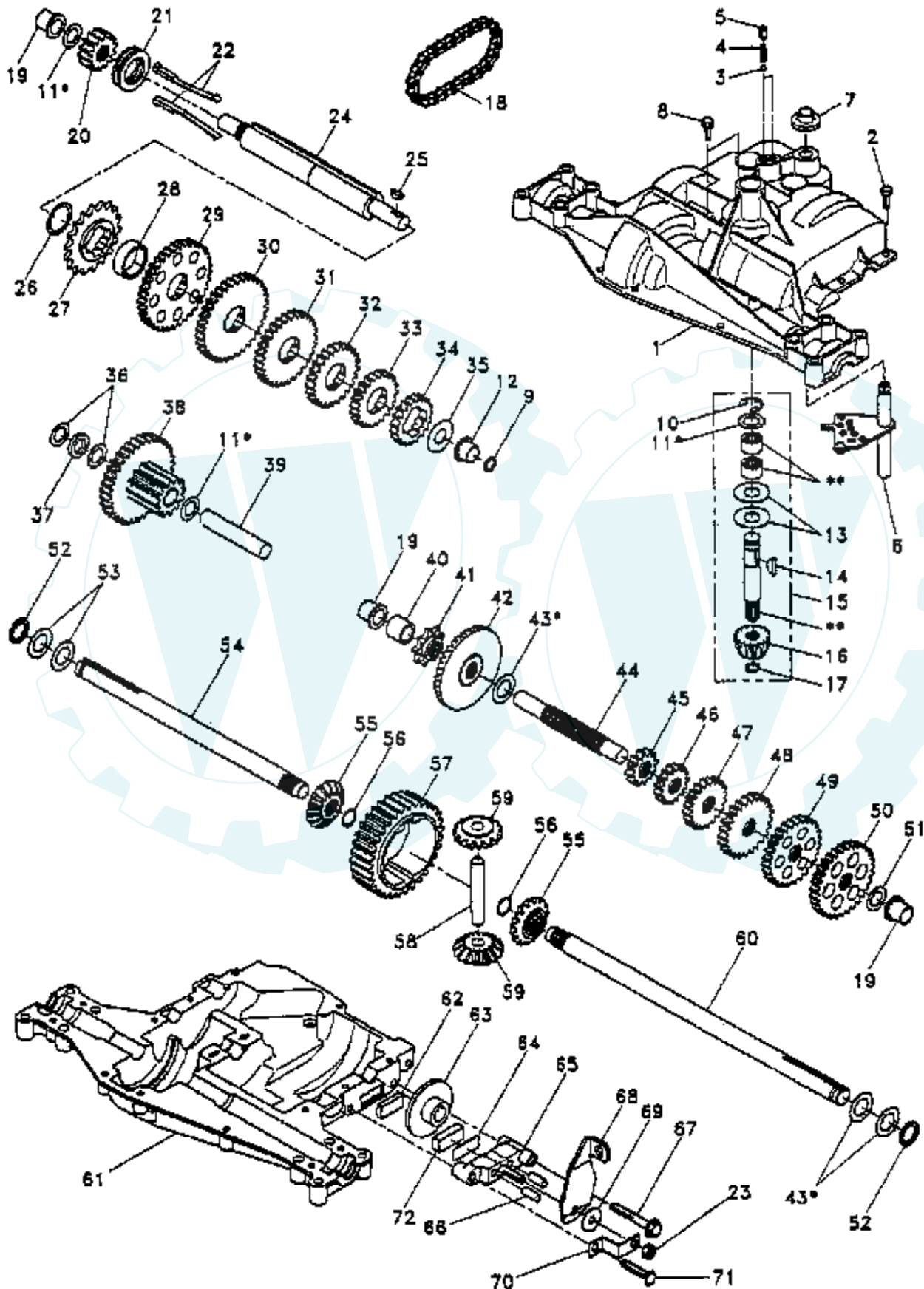
TRACTOR - MODEL NO. WER14542A

STEERING ASSEMBLY



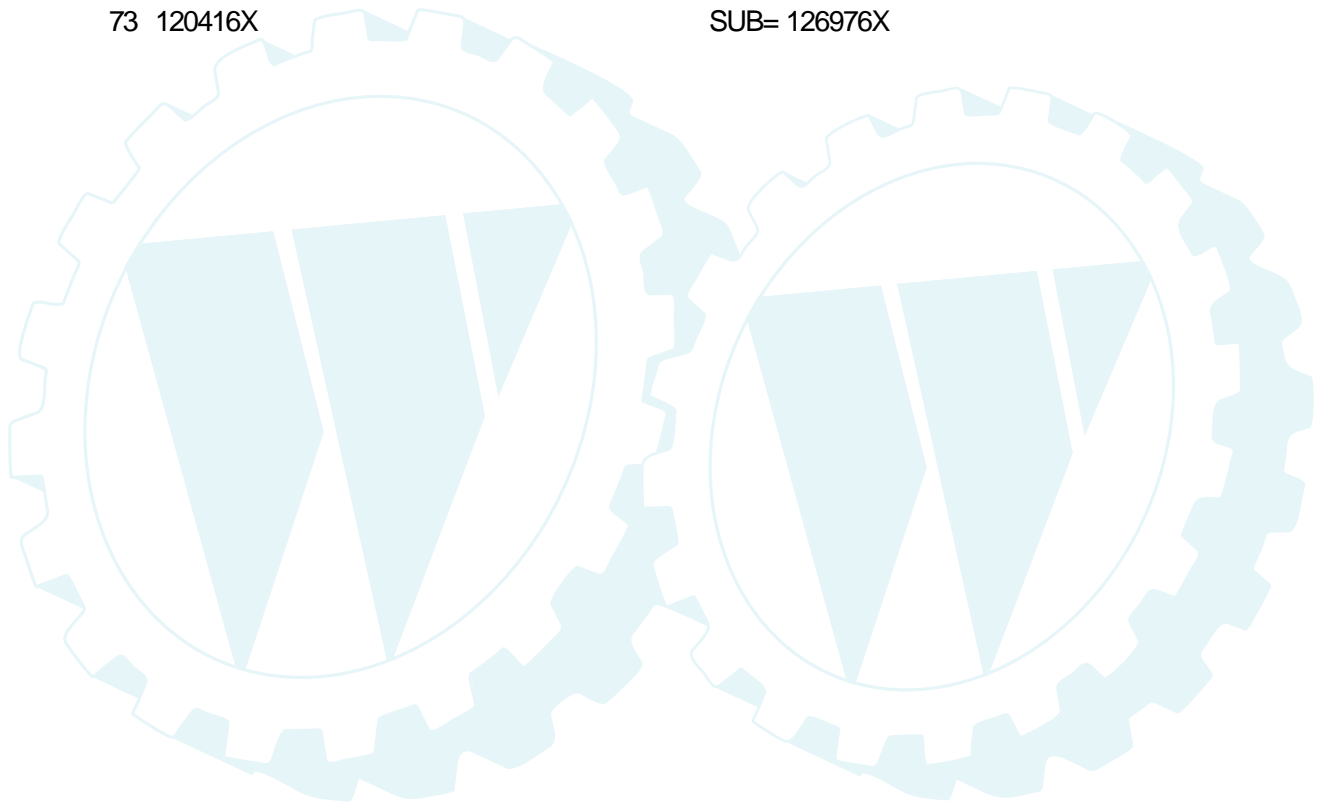
| Ref # | Part Number | Qty | Description |
|-------|-------------|-----|---------------------|
| 1 | 133741 | | SUB= 150547 |
| 2 | 142033 | | AXLE ASM FRONT |
| 3 | 135227 | | SPINDLE LH |
| 4 | 135228 | | SPINDLE RH |
| 5 | 6266H | | WASHER .T |
| 6 | 121748X | | WASHER |
| 7 | 19272016 | | WASHER |
| 8 | 12000029 | | RING |
| 9 | 3366R | | COL. SRTG. BEAR. |
| 10 | 130468 | | SUB= 532130468 |
| 11 | 10040600 | | LOCKWASHER |
| 12 | 73610600 | | SUB= 7810H |
| 13 | 110438X | | BEARING |
| 14 | 74011056 | | BOLT HEX 5/8-11 |
| 15 | 73901000 | | "NUT-LOC,FLANGE LT" |
| 16 | 132624 | | AXLE PIN |
| 17 | 140176 | | SHAFT ASM STEERIN |
| 18 | 57079 | | THRUST WASHER |
| 19 | 124035X | | SUPPORT.SHAFT |
| 20 | 126684X | | SUB= 532126684 |
| 21 | 10040400 | | LOCKWASHER |
| 22 | 71100410 | | SCREW.SCKTHD.CAP |
| 23 | 127501 | | SUB= 918127501 |
| 24 | 109816X | | NYLINER T |
| 25 | 124036X | | "BRKT,STEERING" |
| 26 | 126847X | | BUSHING.DRAGLINK |
| 27 | 136874 | | GEAR SECTOR |
| 28 | 19131416 | | WASHER |
| 29 | 17490612 | | SCREW |
| 30 | 76020412 | | COTTER PIN |
| 32 | 130465 | | TIE ROD |
| 36 | 102803X | | SUB= 918102803X |
| 37 | 152927 | | "SCREW-TT,10-32 FL" |
| 38 | 133742 | | ST WHL INSERT CAP |
| 39 | 19133808 | | WASHER T |
| 41 | 100711L | | ADAPTER LT |
| 42 | 140216 | | BOOT SHAFT STEER |
| 43 | 121749X | | WASHER |
| 44 | 153721 | | SHAFT EXT STEERIN |
| 46 | 121232X | | CAP |
| 47 | 6855M | | ZERK M |
| 50 | 17490412 | | SCREW HEX CRT |
| 51 | 73800500 | | NUT |
| 54 | 74780520 | | BOLT |
| 55 | 140285 | | CLIP TINNERMAN |
| 57 | 140172 | | SUPPORT SHAFT STR |
| 62 | 149686 | | SUB= 918149686 |
| 63 | 74780616 | | BOLT |

TRACTOR - MODEL NO. WER14542A DANA TRANSAXLE - MODEL NUMBER 4360-79

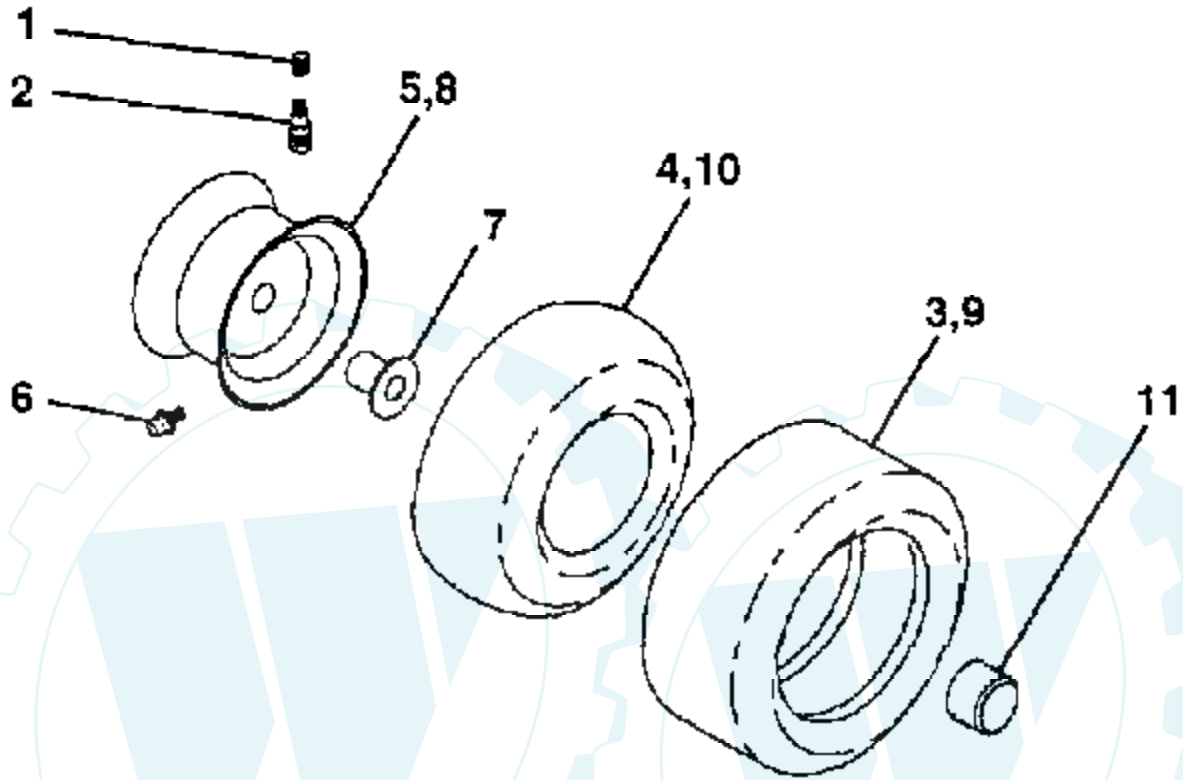


| Ref # | Part Number | Qty | Description |
|-------|-------------|-----|---------------------|
| 1 | 142671 | | HOUSING UPPER TRN |
| 2 | 2274J | | SUB= 74760412 |
| 3 | 134400 | | SUB= 68003 |
| 4 | 105904X | | "SPRING, DETENT LT" |
| 5 | 105905X | | "SCREW, SET LT" |
| 6 | 138235 | | KIT SHIFTER ASM |
| 7 | 134399 | | SHIFTER BOOT |
| 8 | 134791 | | SCREW TAP W/SEAL |
| 9 | 138241 | | SQUARE RING |
| 10 | 142672 | | SUB= 2225J |
| 11 | 134793 | | ASM KIT SHIM 4689 |
| 12 | 142673 | | BEARING FLAN-DANA |
| 13 | 120415X | | WASHER T |
| 14 | 142674 | | KEY WOODRUFF-DANA |
| 15 | 138234 | | AS KIT INPUT SHFT |
| 16 | 110078X | | PINION 14T T |
| 17 | 105909X | | "RING,RETAINING LT" |
| 18 | 105910X | | "CHAIN,24 PTCH LT" |
| 19 | 105911X | | BEARING.FLNG.5510 |
| 20 | 142675 | | GEAR SPUR 14 TTH |
| 21 | 138246 | | COLLAR CLUTCH |
| 22 | 138236 | | ASM KIT CLTCH KEY |
| 23 | 73810500 | | NUT.LOCK.5/16-24 |
| 24 | 142676 | | SHAFT INTERM DANA |
| 25 | 2244J | | WOODRUFF KEY |
| 26 | 105916X | | "RING,RETAINING LT" |
| 27 | 120470X | | SPROCKET 18T T |
| 28 | 110070X | | SPACER YT |
| 29 | 142677 | | GEAR SPUR 37 TTH |
| 30 | 142681 | | GEAR SPUR 35 TTH |
| 31 | 120405X | | SUB= 124644X |
| 32 | 108980X | | GEAR 25T LT |
| 33 | 120406X | | GEAR SPUR 22 TT |
| 34 | 134796 | | SPUR GEAR 19T |
| 35 | 105925X | | "WASHER, PLAIN LT" |
| 36 | 2232J | | WASHER 025 |
| 37 | 108978X | | SPACER |
| 38 | 110079X | | ASSM GEAR COMB |
| 39 | 124639X | | SHAFT IDLER |
| 40 | 120472X | | SPACER T |
| 41 | 105928X | | SPROCKET 9T LT |
| 42 | 110084X | | SUB= 167148 |
| 43 | 134394 | | ASM KIT SHIM |
| 44 | 120473X | | SHAFT T |
| 45 | 142678 | | GEAR SPUR 12 TTH |
| 46 | 142679 | | GEAR SPUR 15 TTH |
| 47 | 120407X | | SUB= 124641X |
| 48 | 106589X | | "GEAR, SPUR 25T LT" |
| 49 | 120408X | | GEAR 28T T |
| 50 | 105937X | | "GEAR, SPUR 31T LT" |
| 51 | 2226J | | WASHER 060 |
| 52 | 134401 | | NEOPRENE WASHER |
| 53 | 2264J | | WASHER 031 |
| 54 | 120474X | | SUB= 154658 |
| 55 | 110081X | | GEAR 15T T |
| 56 | 105941X | | "RING,RETAINING LT" |
| 57 | 110071X | | SUB= 120478X |
| 58 | 120952X | | SHAFT T |

| Ref # | Part Number | Qty | Description |
|-------|-------------|-----|---------------------|
| 59 | 110082X | | GEAR 1ST T |
| 60 | 120475X | | SUB= 154659 |
| 61 | 142680 | | HOUSING LOWER TNS |
| 62 | 120961X | | PUCK T |
| 63 | 7294J | | BRAKE DISC. T |
| 64 | 108989X | | SPACER LT |
| 65 | 120953X | | SUB= 918120953X |
| 66 | 120954X | | PIN T |
| 67 | 134799 | | TAP SCREW |
| 68 | 138244 | | SUB= 108992X |
| 69 | 108996X | | WASHER LT |
| 70 | 120956X | | NLA |
| 71 | 106596X | | "SCREW, TAPPING LT" |
| 72 | 120951X | | PUCK T |
| 73 | 120416X | | SUB= 126976X |



WHEELS & TIRES



NOTE: All component dimensions given in U.S. inches
1 inch = 25.4 mm

| Ref # | Part Number | Qty | Description |
|-------|-------------|-----|--------------------------|
| 1 | 59192 | | VALVE CAP |
| 2 | 65139 | | VALVE STEM LT |
| 3 | 106222X | | SUB= 122073X |
| 4 | 59904 | | TUBE.5.3/4.5/6 |
| 5 | 106732X421 | | RIM.FRONT.6.YELLO |
| 6 | 278H | | FITTING LT |
| 7 | 9040H | | "FLANGE, BEARING" |
| 8 | 106108X421 | | SUB= 106108X416 |
| 9 | 106268X | | SUB= 122074X |
| 10 | 7152J | | TUBE.18X9.5-8 |
| 11 | 104757 | | CAP AXLE |
| | 144334 | | SEALANT.TIRE 10 OZ. TUBE |

