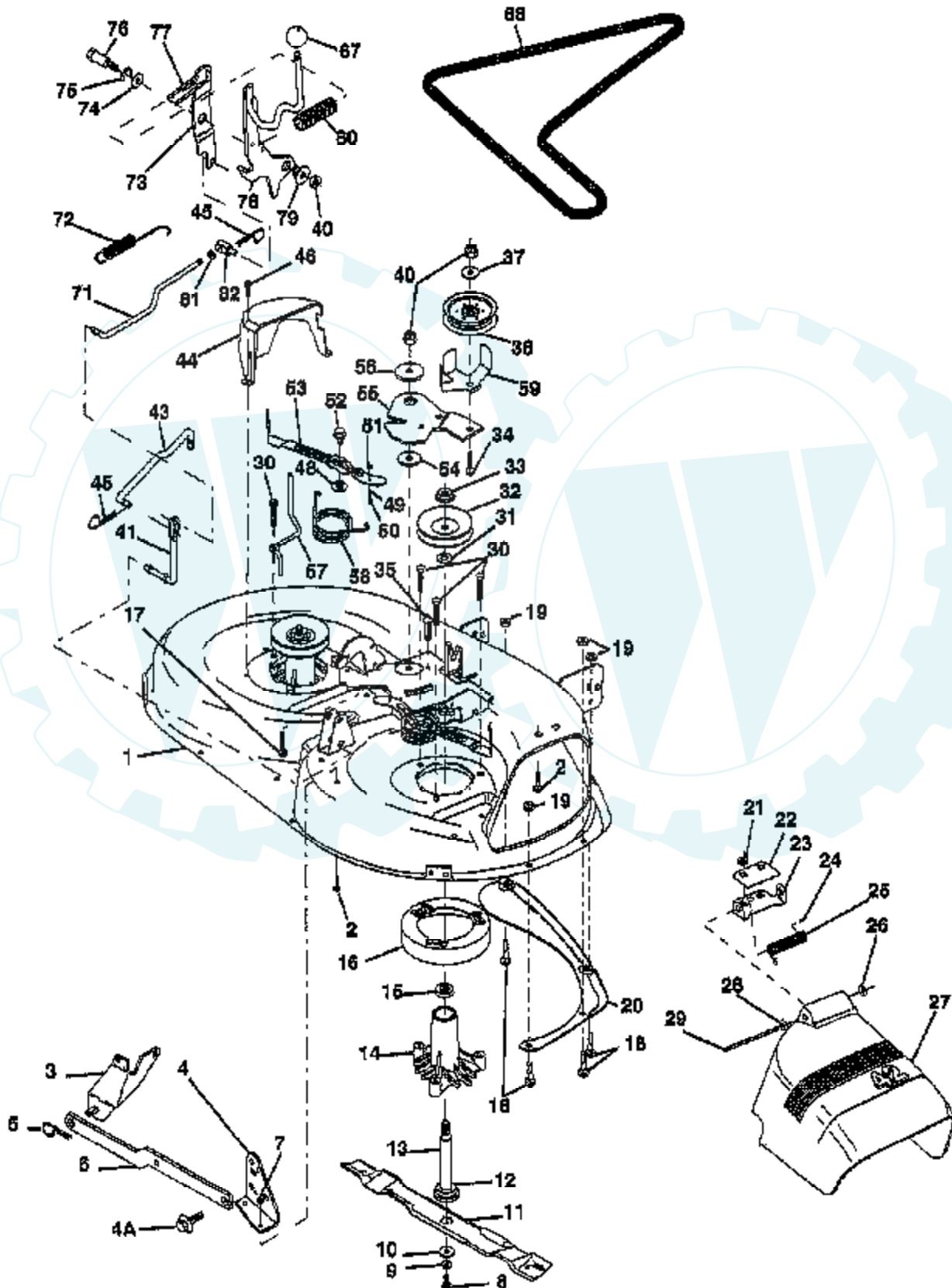


14 HP 42" TRACTOR -- MODEL NUMBER WEG14PL42A 42" MOWER DECK



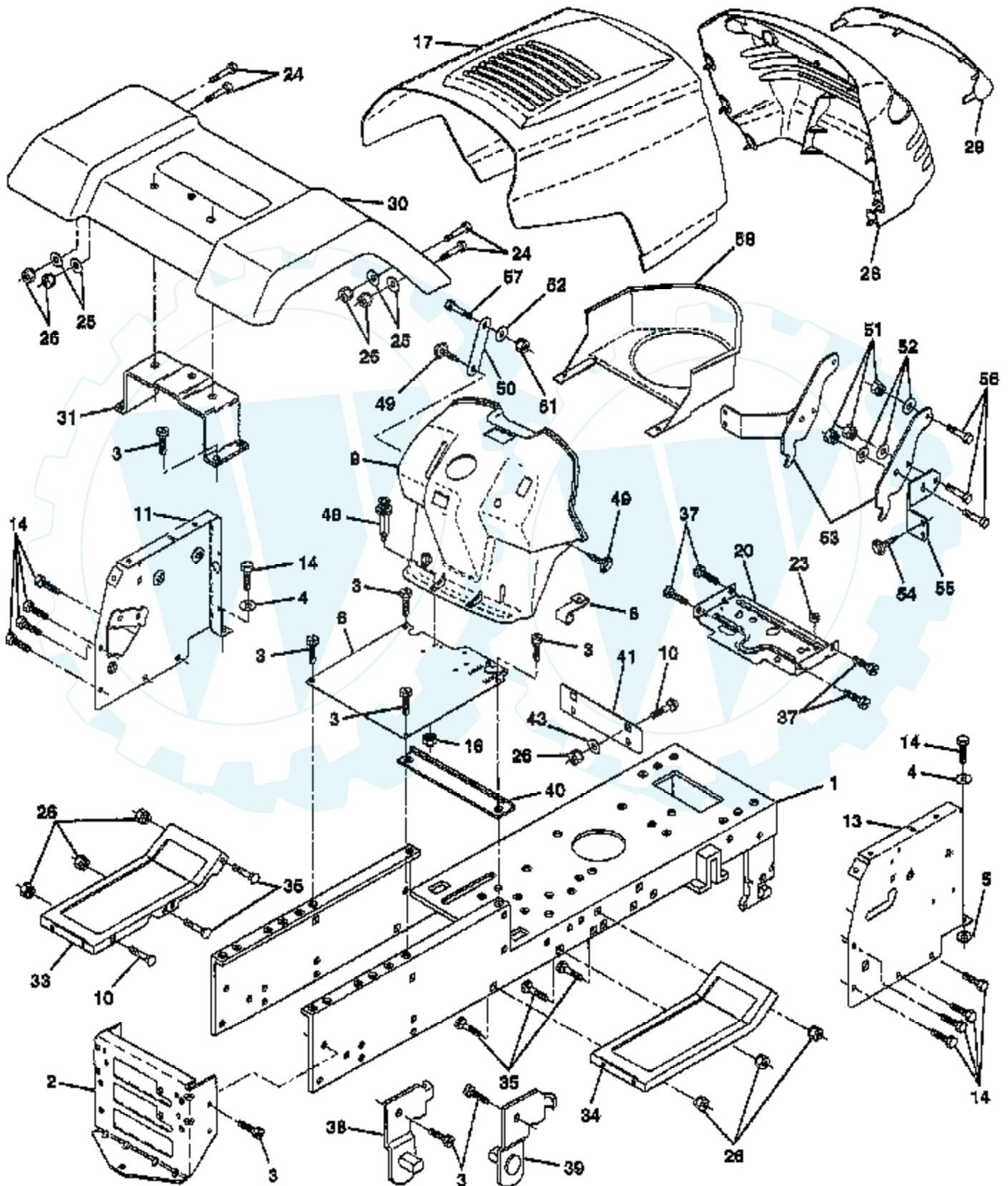
Ref #	Part Number	Qty	Description
1	140081		SUB= 144393
2	72140506		BOLT
3	138017		BRKT ASM SWAY BAR
4	138440		BRKT DECK SW BAR
4A	132827		BOLT SHD 5/16-18
5	4939M		SUB= 85902
6	130832		SUB= 130833
7	73800500		NUT
8	850857		BLADE BOLT
9	10030600		SUB= 10040600
10	140296		WASHER.HARD.BLADE
11	134149		"BLADE.42"" MULCHER"
12	129895		BEARING.BALL
13	137645		SUB= 137646
14	128774		HSG ASM MANDREL
15	110485X		BEARING
16	140329		STRIPPER RND MWR
17	72110610		BOLT RDHD 3/8-16
18	72140505		BOLT
19	73800500		NUT
20	136888		SUB= 918136888
21	73800500		NUT
22	134753		STIFFENER BRKT
23	131267		DEFLECTOR BRKT
24	105304X		CAP-SLEEVE LT
25	123713X		SPRING TORSION
26	110452X		NUT PUSH M
27	130968		DEFLECTOR.SHIELD
28	19111016		WASHER
29	131491		HINGE ROD
30	138776		SUB= 157722
31	129963		WASHER
32	129861		SUB= 153535
33	137266		SUB= 139729
34	72110614		BOLT
35	133835		XMAS TREE FASTNER
36	131494		FLAT IDLER PULLEY
37	19131316		WASHER
40	73800600		NUT
41	133551		PIVOT ROD
43	140083		ROD CLUTCH W/NIBS
44	140088		GUARD MAND LH BLK
45	4497H		RETAINER M
46	137729		SCREW.1/4-20X5/8
48	133944		HARD SMALL WASHER
49	133940		SUB= 151785
50	131340		SHOULDER BOLT
51	69180		LOCKNUT
52	139888		BOLT.SHLD.5/16-18
53	131845		BRAKE PAD ARM ASM
54	133943		HARDENED WASHER
55	140084		SUB= 151785
56	122052X		SPACER RETAINER
57	140090		KEEPER BELT LH 42
58	140086		SPRING TORSN BRAK
59	141043		GUARD IDLER TUV
68	140067		BELT-V MWR 82.625
71	142427		ROD CLUTCH 38/42

Ref #	Part Number	Qty	Description
72	131870		RETURN SPRING
73	127847		CLUTCH ARM SECOND
74	121748X		WASHER
75	12000029		RING
76	128903		SHOULDER BOLT
77	127845		SPRING KEEPER
78	140179		LEVER ASM CLT PRM
79	127498		BUSHING
80	128759		SUB= 918128759
81	73350600		NUT
82	142028		TRUNION ADJ
83	106933X		KNOB T (1/2-HOLE)
	130794		MANDREL ASM
	140475		SUB= 145411



14 HP 42" TRACTOR - - MODEL NUMBER WEG14PL42A

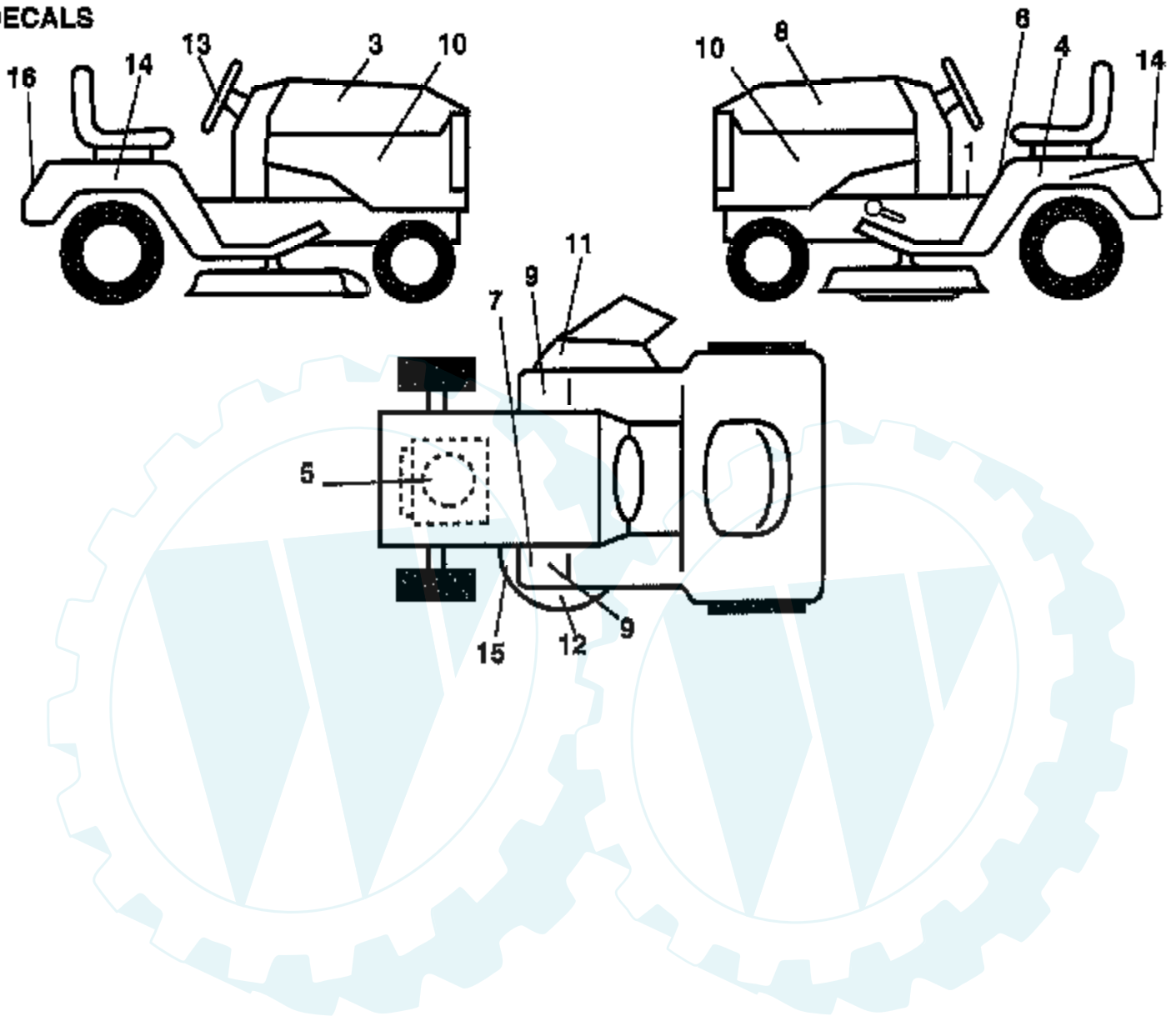
CHASSIS AND ENCLOSURES



Ref #	Part Number	Qty	Description
1	140341		SUB= 145501
2	140356		SUB= 145009
3	17490612		SCREW
4	19131216		WASHER
5	11050600		LOCKWASHER
6	140169		SUB= 145206X431
8	126471X		"CLIP,INSULATOR"
9	140072		SUB= 532142465
10	72140608		SUB= 72110608
11	140815		SUB= 146965
13	140178		SUB= 146959
14	17490608		SCREW LT
16	73510400		NUT
17	139394X550		SUB= 159639X550
20	140281		SUB= 140281X431
23	124028X		SUB= 532124028
24	74780616		BOLT
25	19131312		WASHER
26	73800600		NUT
28	140141		SUB= 157373
29	140273		LENS GRILLE
30	140001X550		FENDER PNT
31	139976		BRACKET SUPT FEND
33	105465X550		SUB= 145244X550
34	105464X550		SUB= 145243X550
35	72110606		BOLT
37	17490512		SCREW
38	139886		BRACKET ASM LH
39	139887		BRACKET ASM RH
40	139977		SPACER FENDER LT
41	139978		PLATE EXTEN FEND
43	19171416		WASHER
48	138096		RIVET.PUSH.PLATE
49	17490412		SCREW HEX CRT
50	142779		BRACE SUPT DASH
51	73800400		NUT
52	19091416		WASHER
53	140219		HING PICK-OFF HD
54	17030814		SUB= 91817030814
55	143007		BRACKET GRILLE
56	74760412		BOLT LT
57	74780412		SUB= 74780414
58	140806		DUCT AIR 12-15H
	5479J		PLUG BUTTON T
	134014		PLUG DOME

14 HP 42" TRACTOR - - MODEL NUMBER WEG14PL42A

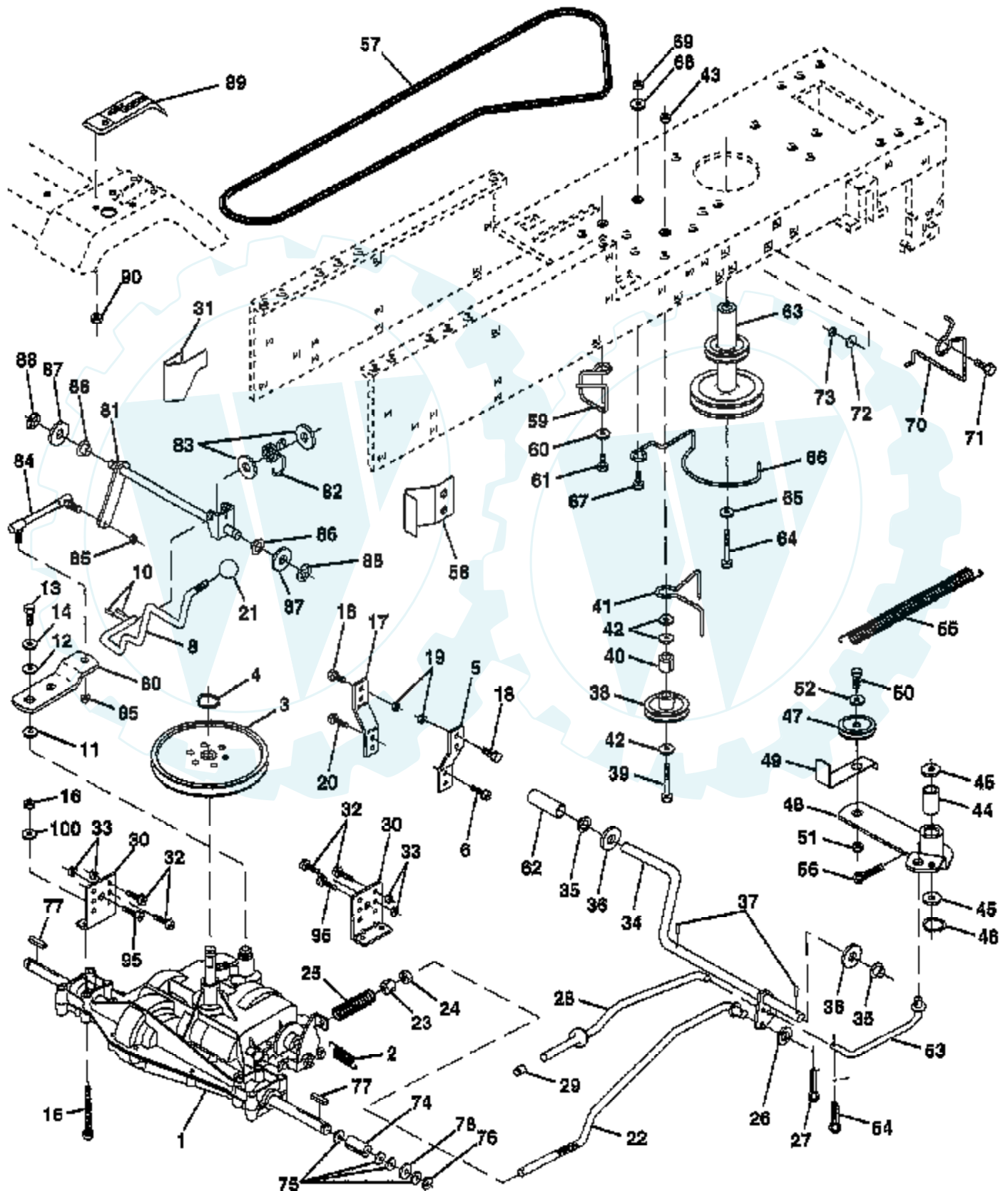
DECALS



Ref #	Part Number	Qty	Description
1	140820		REFER TO IMAGE
3	144514		DECAL DASH INS OP
4	138804		DECAL.HD.RH.B&S
5	144521		DECAL.FEND.QUICKS
6	133795		DECAL ENGINE
7	101892X		DECAL CAUTION
8	144515		DECAL T
9	131864		DECAL.HD.LH.B&S
10	143764		"PAD,FOOTREST"
11	137259		DECAL.PANEL.SIDE
12	139376		"DECAL, WARNING"
13	137042		DECAL.MOWER
14	121549X		DECAL.WHL.STRG.
15	136830		DECAL
16	137043		DECAL.V.BELT
	138311		DECAL.FENDER
	144178		DECAL HANDLE LIFT
	140718		MANUAL.P.WEG14PL-
	LBD48		MANUAL OPERATORS
	C42		SNOW BLADE
	LC05		GRASS CATCHER
	CH208		WHEEL WTS.
	LSB42		TIRE CHAINS
	MP42		SNOW THROWER
			SUB= MP42A

14 HP 42" TRACTOR - - MODEL NUMBER WEG14PL42A

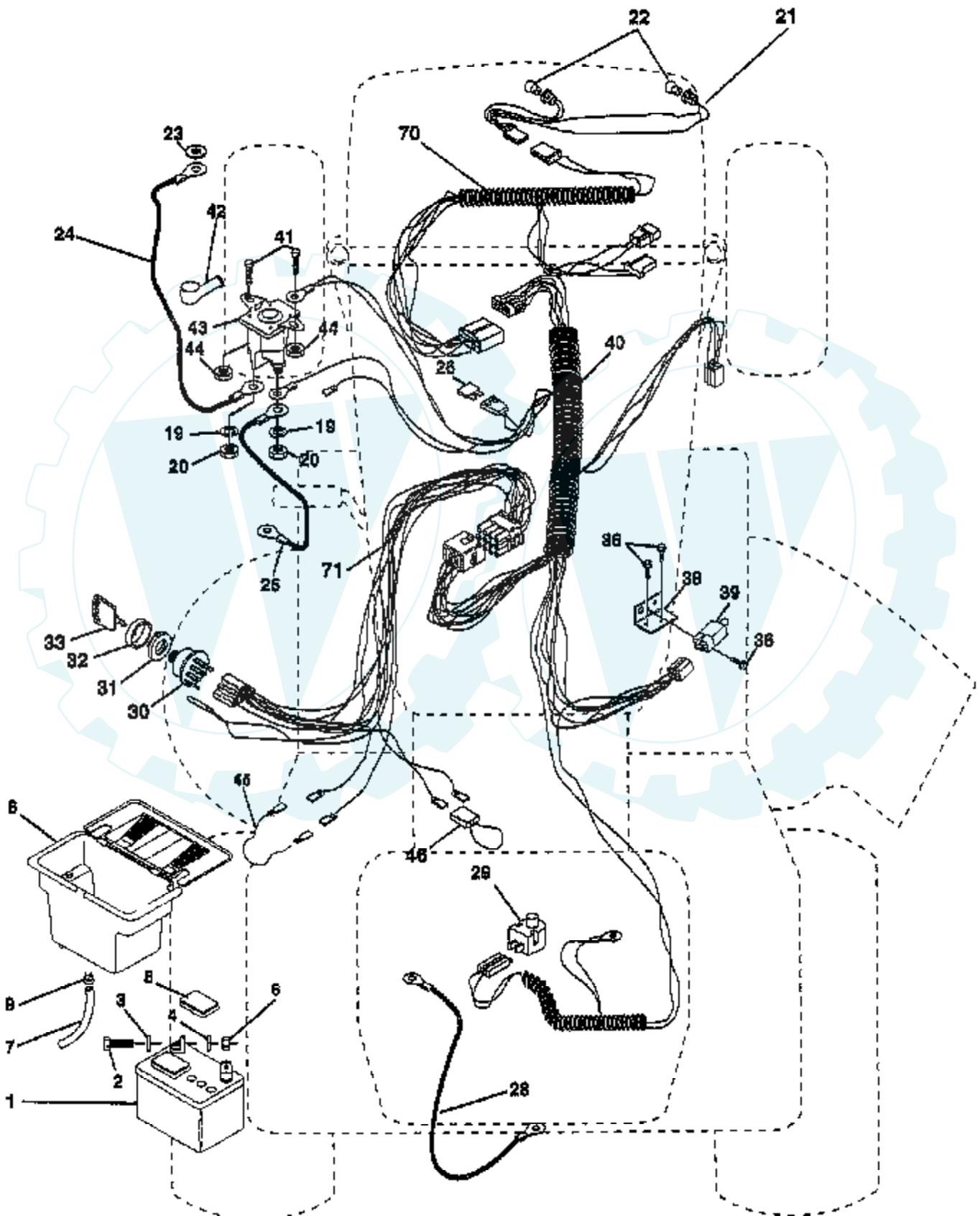
DRIVE



Ref #	Part Number	Qty	Description
1	142607		SUB= 145605
2	110422X		SUB= 146682
3	123666X		PULLEY TRANS
4	12000028		SUB= 2267J
5	121520X		STRAP TORQUE
6	17490512		SCREW
8	141003		ROD SHIFT FEND LT
10	76020416		PIN COTTER 1/8
11	105701X		WASH-SHFT PLT LT
12	19151216		WASHER
13	71040412		SUB= 74550412
14	10040400		LOCKWASHER
15	74780544		BOLT HEX
16	73800500		NUT
17	121520X		STRAP TORQUE
18	74780616		BOLT
19	73800600		NUT
20	17490512		SCREW
21	106933X		KNOB T (1/2-HOLE)
22	130804		BRAKE ROD
23	73800600		NUT
24	73350600		NUT
25	106888X		SPRING ROD LT
26	19131316		WASHER
27	76020412		COTTER PIN
28	140448		ROD PARK BRAKE
29	71673		PLUNGER CAP T
30	130807		TRANSAXLE MTG BKT
31	127275X		"KEEPER,BELT LH T"
32	74760512		BOLT
33	73800500		NUT
34	122424X		SUB= 149001
35	120183X		NYLON BEARING
36	19211616		WASHER LT
37	1572H		SUB= 2882J
38	123674X		PULLEY.IDLER.FLAT
39	74760644		BOLT
40	4470J		SPACER T
41	109070X		BELT KEEPER LT
42	19131312		WASHER
43	73800600		NUT
44	105706X		"LY, BEARING"
45	110812X		WASHER LT
46	12000039		KLIP RING
47	127783		SUB= 139245
48	123789X		ARM IDLER
49	123205X		RETAIN BELT
50	74760624		SUB= 74930624
51	73680600		SUB= 73690600
52	19131316		WASHER
53	105710X		"LINK, CLUTCH T"
54	76020412		COTTER PIN
55	105709X		"SPRING, RETURN LT"
56	76020412		COTTER PIN
57	130801		SUB= 138255
58	127274X		"KEEPER,BELT RH T"
59	140312		KEEPER,BELT CNTSP
60	19131312		WASHER

Ref #	Part Number	Qty	Description
61	17490612		SCREW
62	8883R		PEDAL COVER T
63	140186		PULLEY.ENGINE
64	71170764		BOLT
65	10040700		LOCKWASHER
66	129921		KEEPER.BELT.ENG.L
67	74760616		BOLT
68	19131312		WASHER
69	73680600		SUB= 73690600
70	134683		KEEPER BELT ENG
71	74760616		BOLT
72	19132012		WASHER
73	73680600		SUB= 73690600
74	109502X		SPACER LT
75	121749X		WASHER
76	12000001		E-RING LT
77	123583X		SQUARE KEY
78	121748X		WASHER
80	131487		ARM SHIFT TRANS
81	136933		SHAFT ASM.SHIFT
82	123782X		"SPRING,TORSION"
83	19171216		WASHER
84	132183		TIE ROD
85	73530400		NUT 1/4-28
86	71208		BUSHING
87	19212016		WASHER D
88	12000008		KLIP RING
89	139964		SUB= 918139964
90	124346X		NUT
95	17490612		SCREW
100	19111216		WASHER M

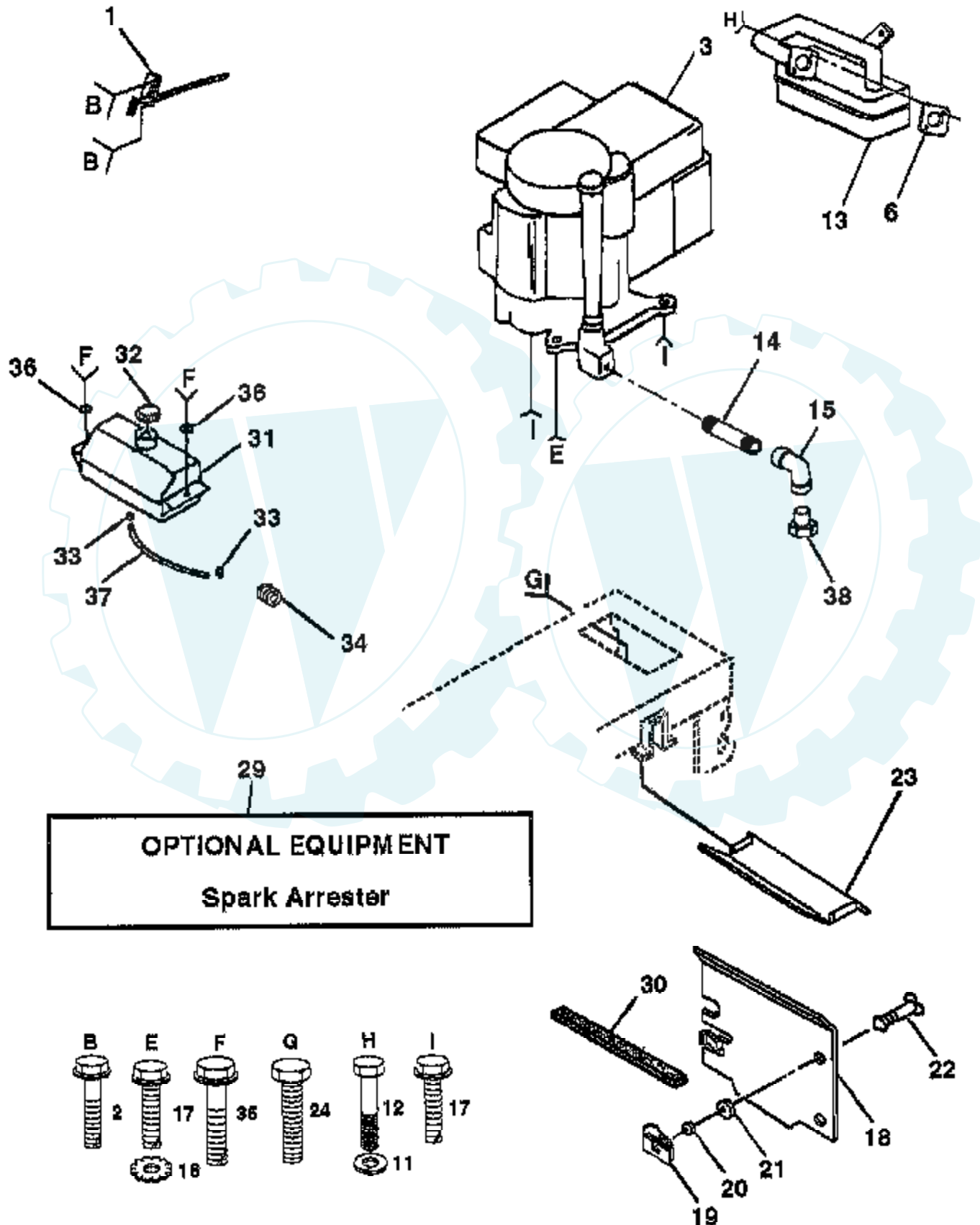
14 HP 42" TRACTOR -- MODEL NUMBER WEG14PL42A ELECTRICAL



Ref #	Part Number	Qty	Description
			REFER TO IMAGE
1	121265X		SUB= 123899X
2	74760412		BOLT LT
3	19091016		WASHER
4	10040400		LOCKWASHER
5	121264X		"CAP,BATTERY "
6	73220400		SUB= 50675
7	109238X		TUBE T
8	129965		SUB= 156417
9	109596X		HOSE CLAMP T
18	140407		CLIP PUSH - IN
19	10090400		SUB= 10040400
20	73350400		NUT
21	136850		"HARNES,LIGHT SOC"
22	4152J		HEADLAMP BULB
23	11150400		LOCKWASHER
24	132202		SUB= 146147
25	4799J		"CABLE T, BATTERY"
26	108824X		FUSE HYT
28	4207J		CABLE T
29	121305X		SWITCH SEAT
30	140301		SWITCH IGN 4POS
31	124211X		NUT IGNITION
32	141226		COVER KEY SWITCH
33	122147X		KEY
35	108236X		BRACKET LT
36	17021008		SCREW
37	104445X		SWITCH-INTER. GT
38	140336		BRACKET SWITCH IN
39	109553X		SWITCH INTERLOCKT
40	140707		HARNES IGN B&S
41	71110408		BOLT HXHD FIN
42	131563		SUB= 154336
43	138406		SUB= 146154
44	73640400		NUT HXKEP 1/4X20
45	140844		ADAPTER AMMETER
46	141940		PROTECTION LOOP
69	140660		ADAPTER.HARN.SERV
70	141164		HARNES ENGINE
71	140710		HARNES DASH LT
72	141360		CLIP PUSHIN SPRIN
73	140408		CLIP PUSH IN

14 HP 42" TRACTOR - - MODEL NUMBER WEG14PL42A

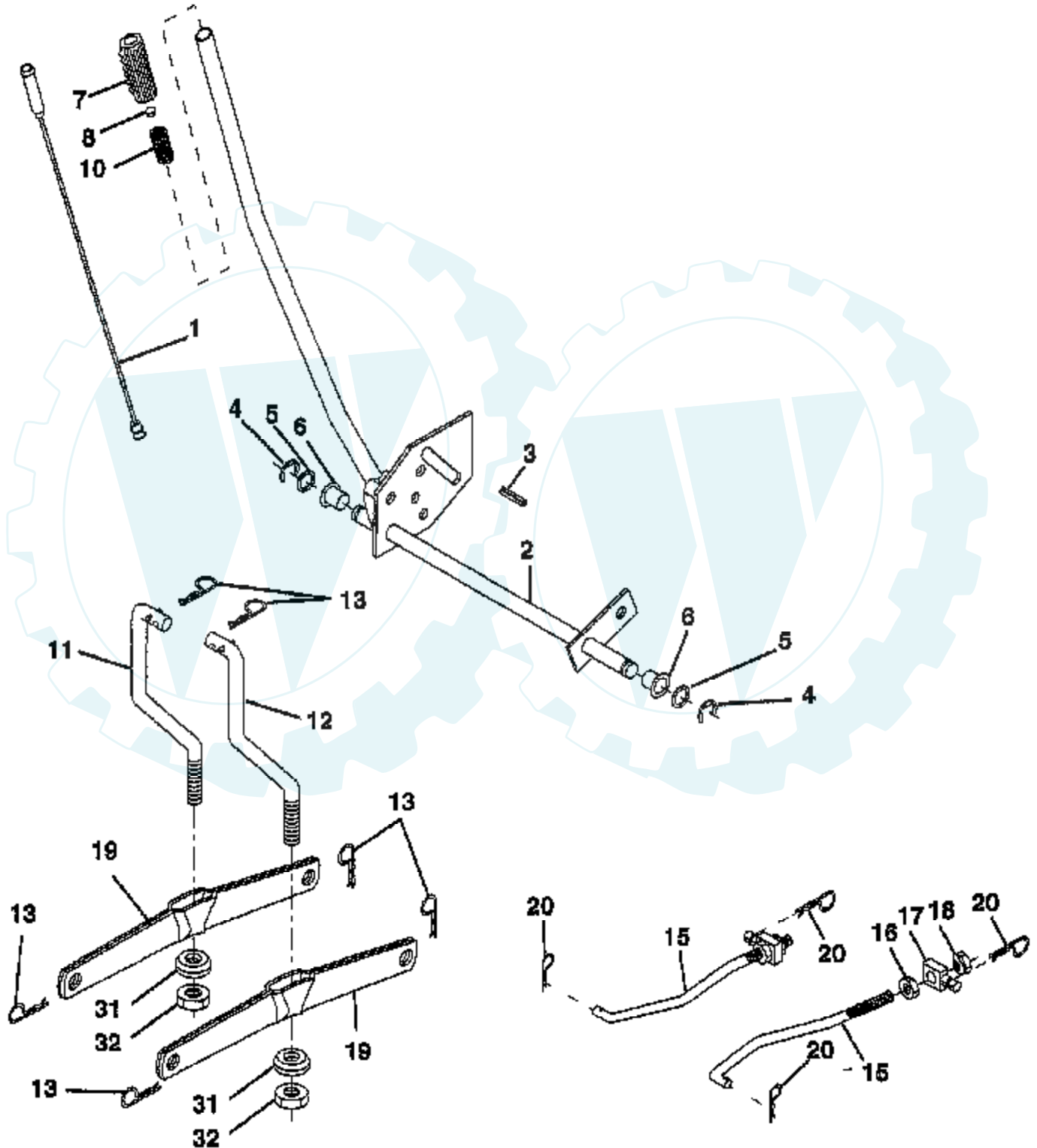
ENGINE



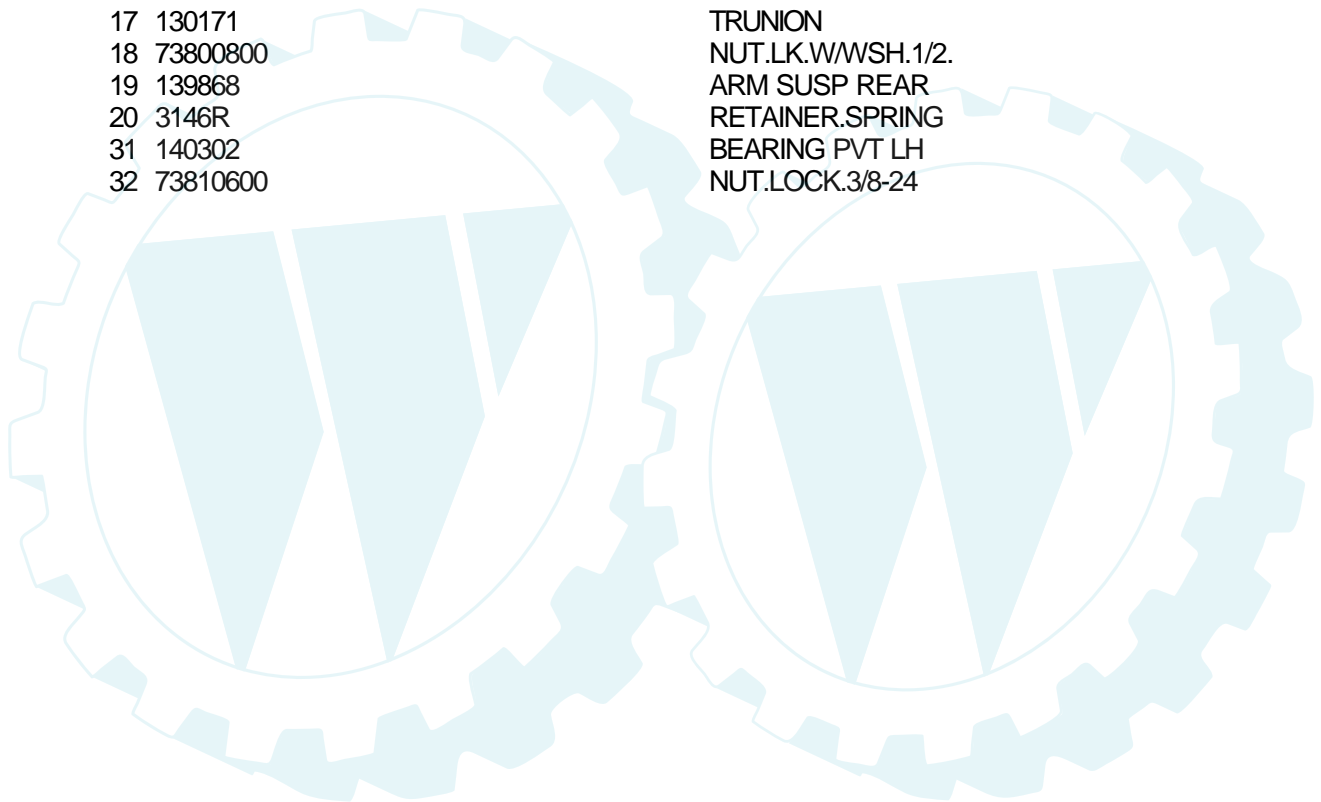
Ref #	Part Number	Qty	Description
1	140310		CONTROL THROTTLE
2	17720410		SCREW LT
3			CHECK WITH SUPPLIER
6	125593X		SUB= 272293
11	10040500		LOCKWASHER
12	71070512		SCREW
13	137352		MUFFLER
14	13280324		PIPE NIPPLE
15	13200300		ELBOW
16	11050600		LOCKWASHER
17	17490620		SCREW
18	136718		SHIELD HEAT
19	105839X		RECEPTACLE LT
20	105838X		RETAINER LT
21	19091016		WASHER
22	123650X		STUD.1/4.TURN
23	128953X		SUB= 128953
24	17021008		SCREW
29	137180		SUB= 532137180
30	127057X		SUB= 532127057
31	109202X		TANK.FUEL.LT.
32	140527		CAP ASM FUEL
33	123487X		HOSE CLAMP
34	124028X		SUB= 532124028
35	17490412		SCREW HEX CRT
36	19091416		WASHER
37	137040		LINE FUEL
38			CHECK WITH SUPPLIER

14 HP 42" TRACTOR - - MODEL NUMBER WEG14PL42A

LIFT

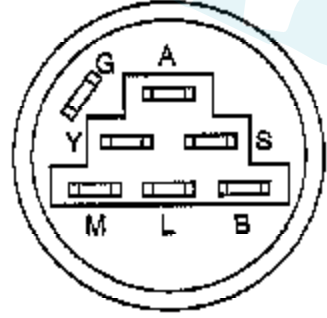
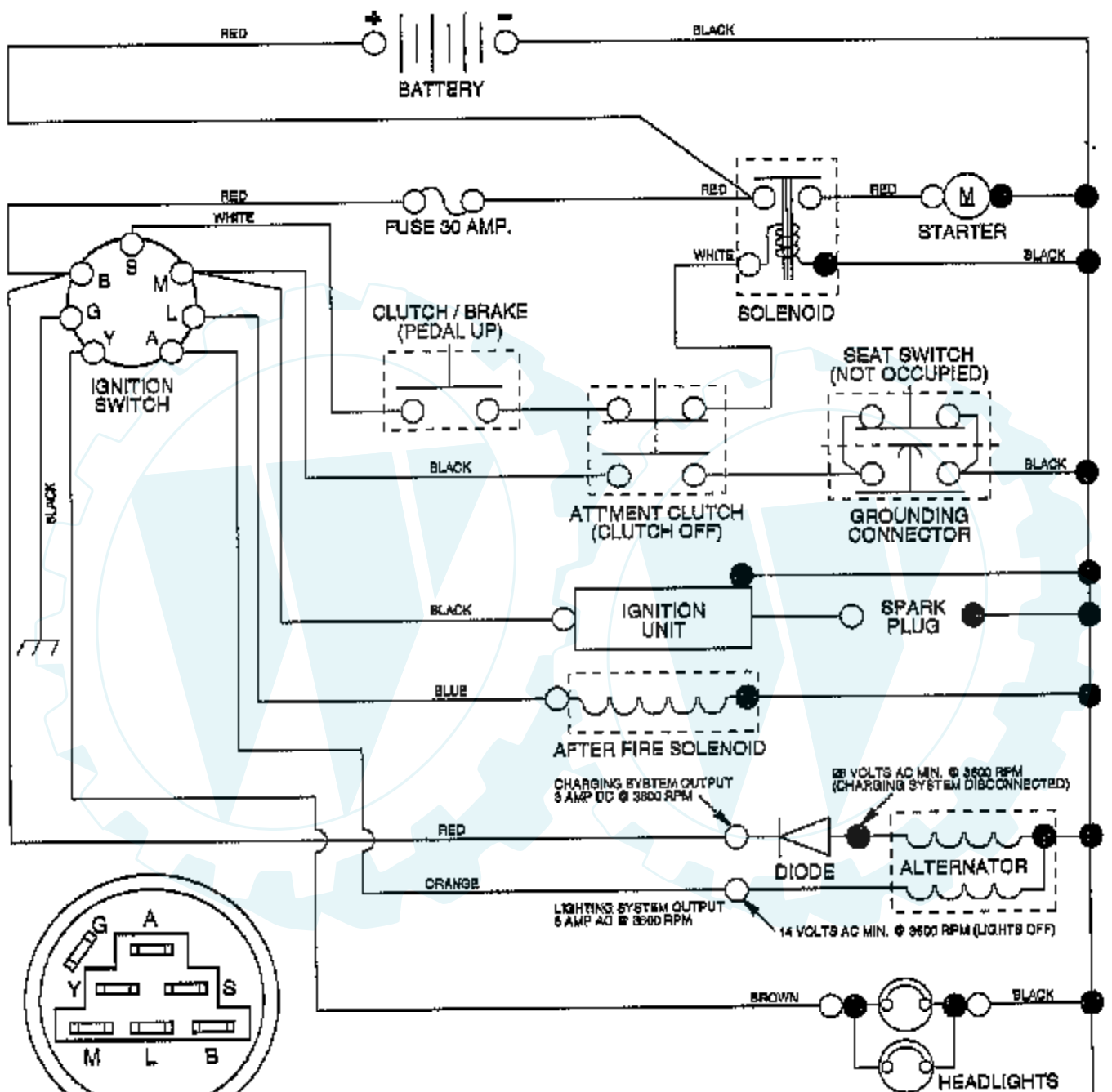


Ref #	Part Number	Qty	Description
1	136973		WIRE ASM
2	140278		HANDLE.LIFT.LH.
3	138284		PIN GROOVE
4	12000002		SUB= 2225J
5	19211621		WASHER
6	120183X		NYLON BEARING
7	109413X		GRIP
8	124526X		SUB= 125925X
10	122512X		SUB= 532122512
11	139865		SUB= 918139865
12	139866		SUB= 151140
13	4939M		SUB= 85902
15	127218		LINK.FRONT
16	73350800		NUT
17	130171		TRUNION
18	73800800		NUT.LK.W/WSH.1/2.
19	139868		ARM SUSP REAR
20	3146R		RETAINER.SPRING
31	140302		BEARING PVT LH
32	73810600		NUT.LOCK.3/8-24



14 HP 42" TRACTOR -- MODEL NUMBER WEG14PL42A

SCHEMATIC



IGNITION SWITCH

POSITION	CIRCUIT	"MAKE"
OFF	G + M + L	NONE
RUN/LIGHT	B + L	A + Y
RUN	B + L	NONE
START	B + L + S	NONE

WIRING INSULATED CLIPS

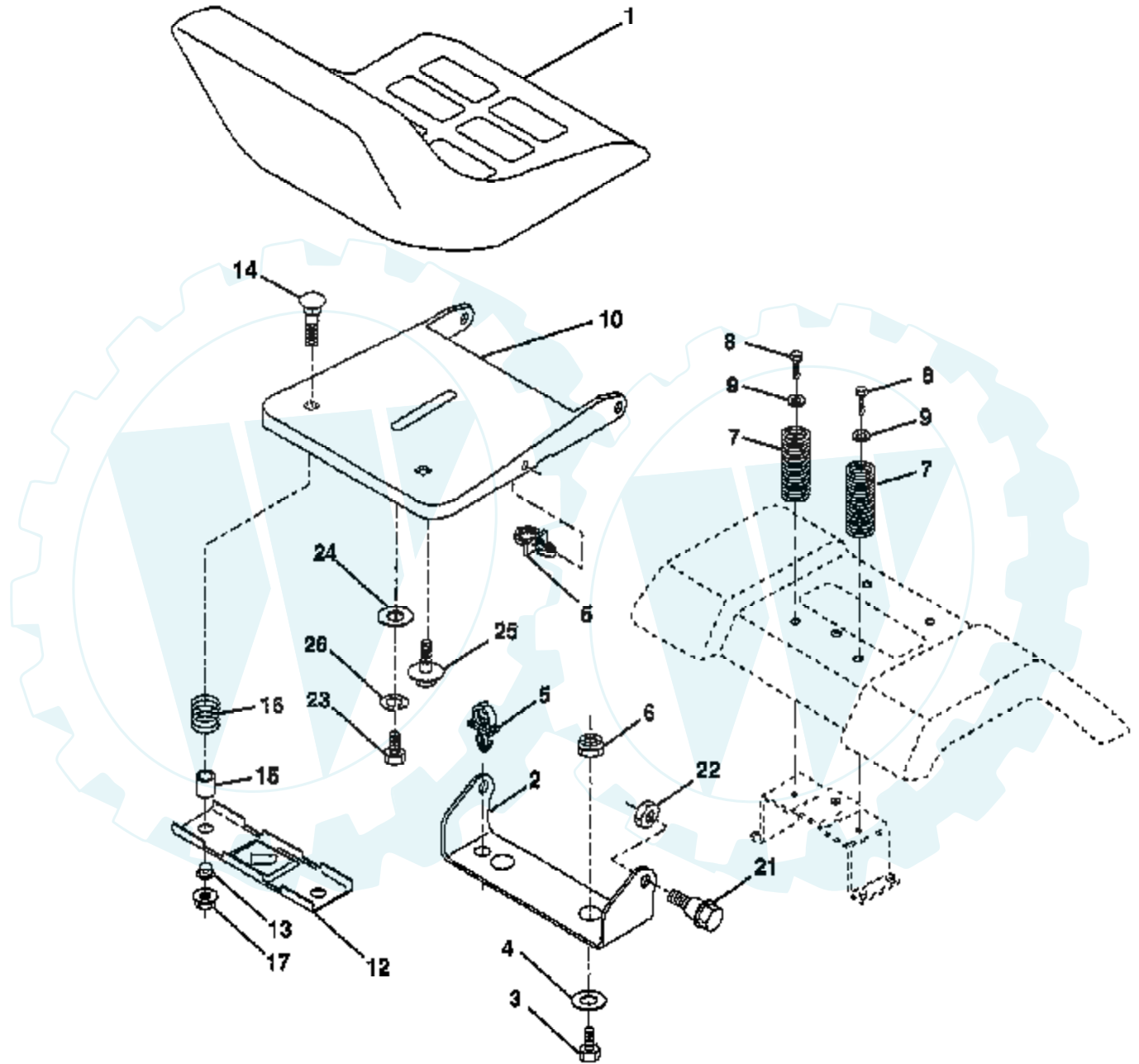
NOTE: IF WIRING INSULATED CLIPS WERE REMOVED FOR SERVICING OF UNIT, THEY SHOULD BE REPLACED TO PROPERLY SECURE YOUR WIRING

NOTE

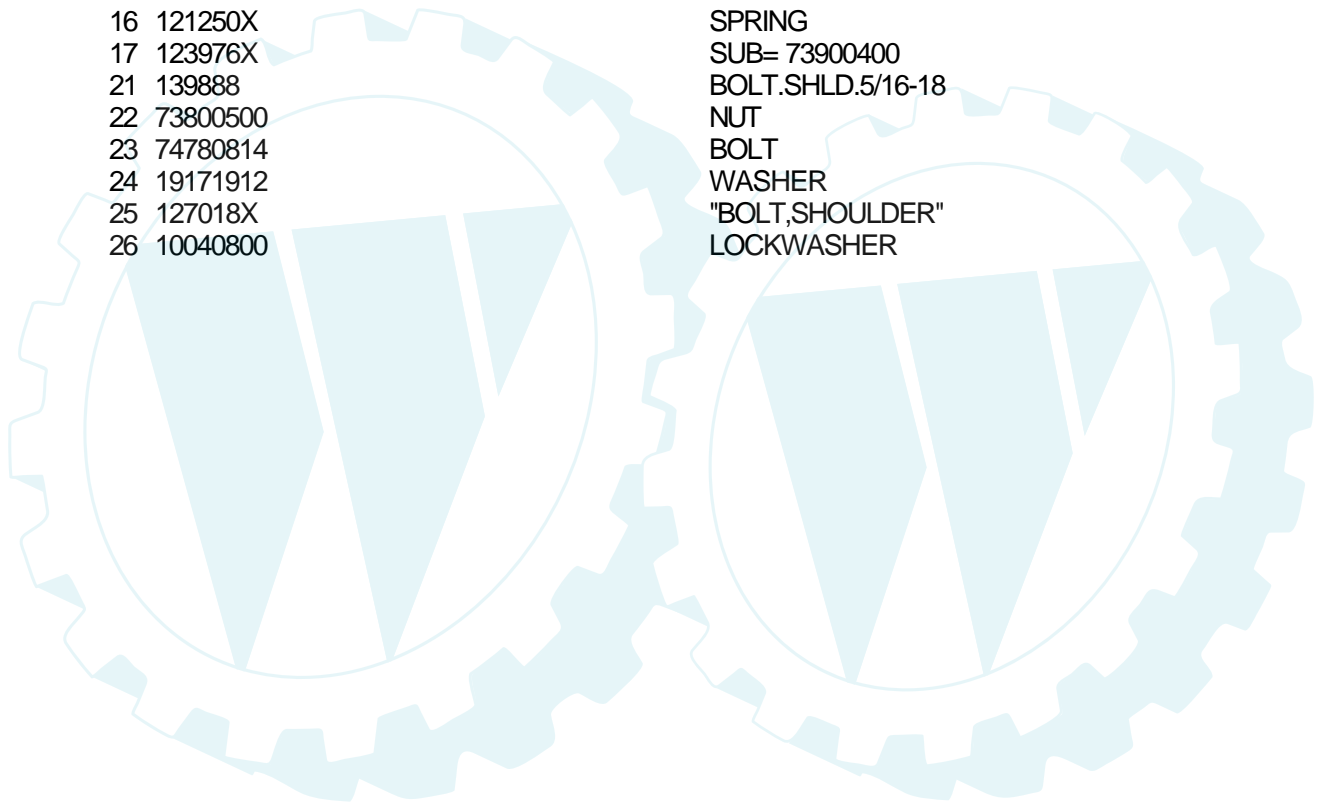
YOUR TRACTOR IS EQUIPPED WITH A SPECIAL ALTERNATOR SYSTEM. THE LIGHTS ARE NOT CONNECTED TO THE BATTERY, BUT HAVE THEIR OWN ELECTRICAL SOURCE. BECAUSE OF THIS, THE BRIGHTNESS OF THE LIGHTS WILL CHANGE WITH ENGINE SPEED. AT IDLE THE LIGHTS WILL DIM. AS THE ENGINE IS SPEEDED UP, THE LIGHTS WILL BECOME THEIR BRIGHTEST.



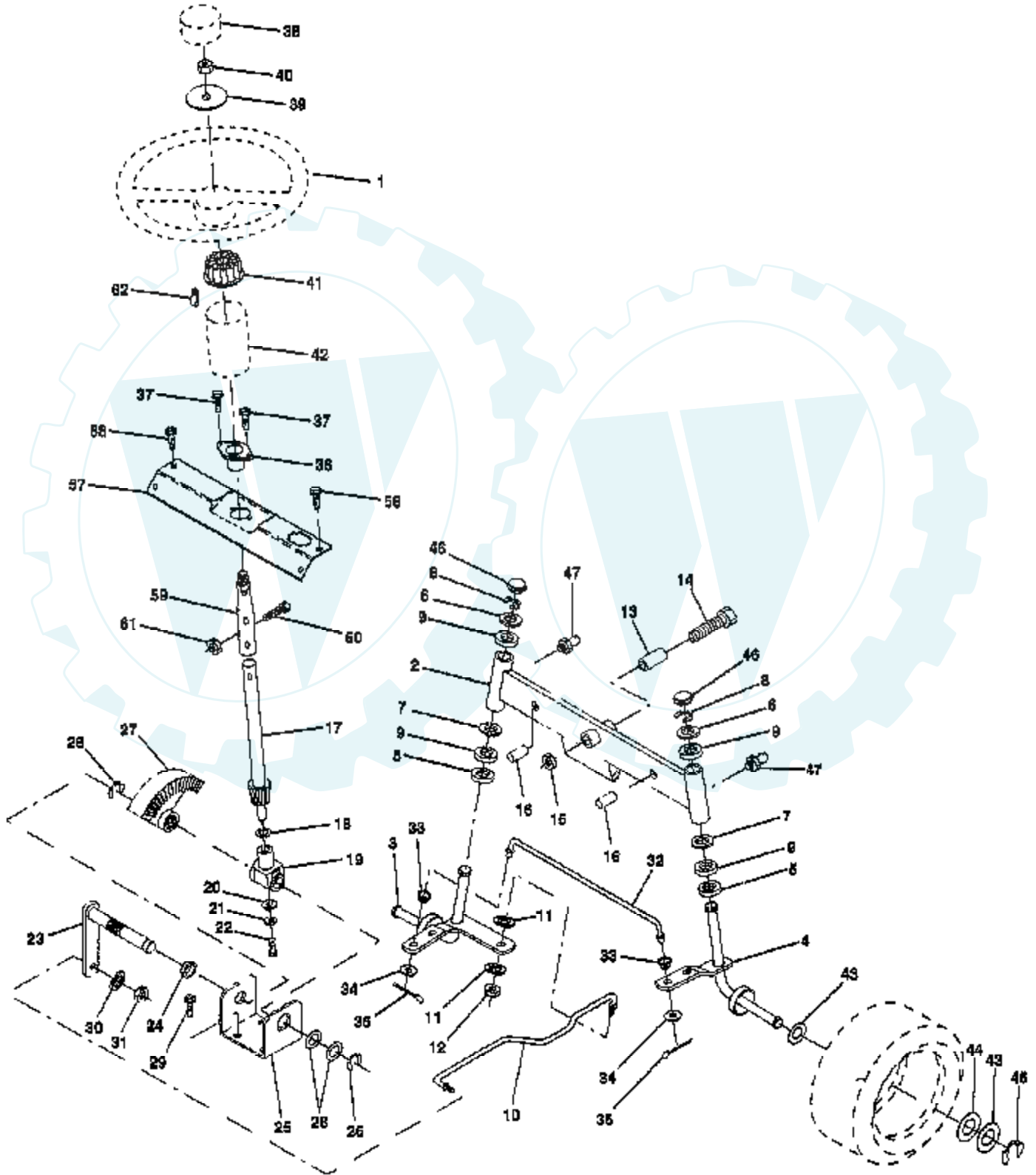
14 HP 42" TRACTOR - - MODEL NUMBER WEG14PL42A SEAT ASSEMBLY



Ref #	Part Number	Qty	Description
1	127427		SUB= 140119
2	140551		BRACKET PVT SEAT
3	74760616		BOLT
4	19131610		WASHER PM
5	140407		CLIP PUSH - IN
6	73800600		NUT
7	124181X		SPRING COMPRESSIO
8	17490616		SCREW GTV
9	19131614		WASHER
10	140552		SUB= 155925
12	121246X		BRKT SWITCH
13	121248X		BUSHING
14	72050411		SUB= 872050411
15	134300		SPLIT SPACER
16	121250X		SPRING
17	123976X		SUB= 73900400
21	139888		BOLT.SHLD.5/16-18
22	73800500		NUT
23	74780814		BOLT
24	19171912		WASHER
25	127018X		"BOLT,SHOULDER"
26	10040800		LOCKWASHER



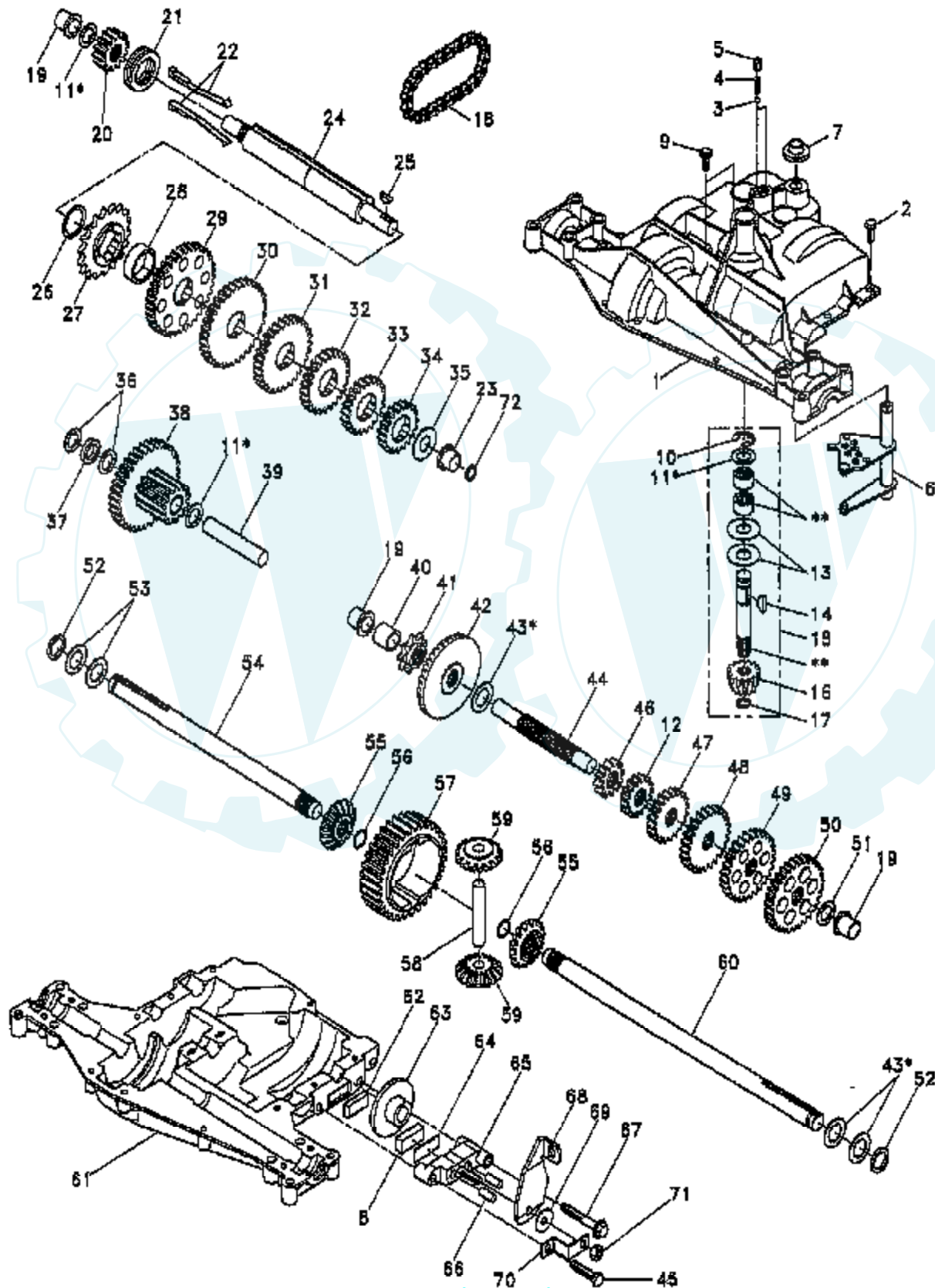
14 HP 42" TRACTOR -- MODEL NUMBER WEG14PL42A STEERING ASSEMBLY



Ref #	Part Number	Qty	Description
1	133741		SUB= 150547
2	142033		AXLE ASM FRONT
3	135227		SPINDLE LH
4	135228		SPINDLE RH
5	6266H		WASHER .T
6	121748X		WASHER
7	19272016		WASHER
8	12000029		RING
9	3366R		COL. SRTG. BEAR.
10	130468		SUB= 532130468
11	10040600		LOCKWASHER
12	73610600		SUB= 7810H
13	110438X		BEARING
14	74011056		BOLT HEX 5/8-11
15	73901000		"NUT-LOC,FLANGE LT"
16	132624		AXLE PIN
17	140176		SHAFT ASM STEERIN
18	57079		THRUST WASHER
19	124035X		SUPPORT.SHAFT
20	126684X		SUB= 532126684
21	10040400		LOCKWASHER
22	71070410		"SCREW,SPECIAL"
23	127501		SUB= 918127501
24	109816X		NYLINER T
25	124036X		"BRKT,STEERING"
26	12000029		RING
27	136874		GEAR SECTOR
28	6266H		WASHER .T
29	17490612		SCREW
30	10040600		LOCKWASHER
31	73610600		SUB= 7810H
32	130465		TIE ROD
33	126847X		BUSHING.DRAGLINK
34	19131416		WASHER
35	76020412		COTTER PIN
36	102803X		SUB= 918102803X
37	17431008		SUB= 98000165
38	133742		ST WHL INSERT CAP
39	19133808		WASHER T
40	7810H		GRIPCO NUT
41	104820X		ADAPTER-WHEEL LT
42	140216		BOOT SHAFT STEER
43	121749X		WASHER
44	121748X		WASHER
45	12000029		RING
46	121232X		CAP
47	6855M		ZERK M
57	140172		SUPPORT SHAFT STR
58	17490412		SCREW HEX CRT
59	140171		SHAFT EXT STEER
60	74780520		BOLT
61	73800500		NUT
62	140285		CLIP TINNERMAN

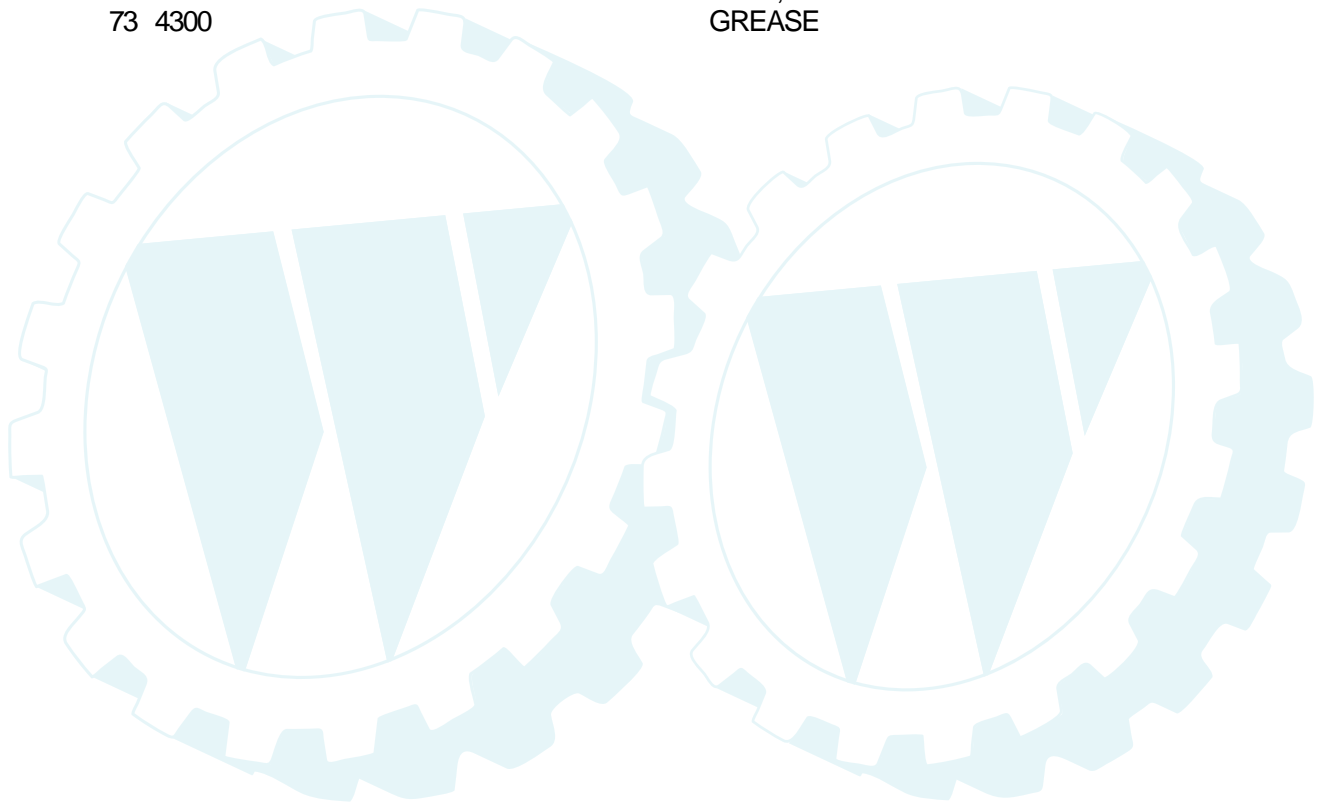
14 HP 42" TRACTOR - - MODEL NUMBER WEG14PL42A TRANSAXLE DANA - MODEL NUMBER 4360-81

TRANSAXLE

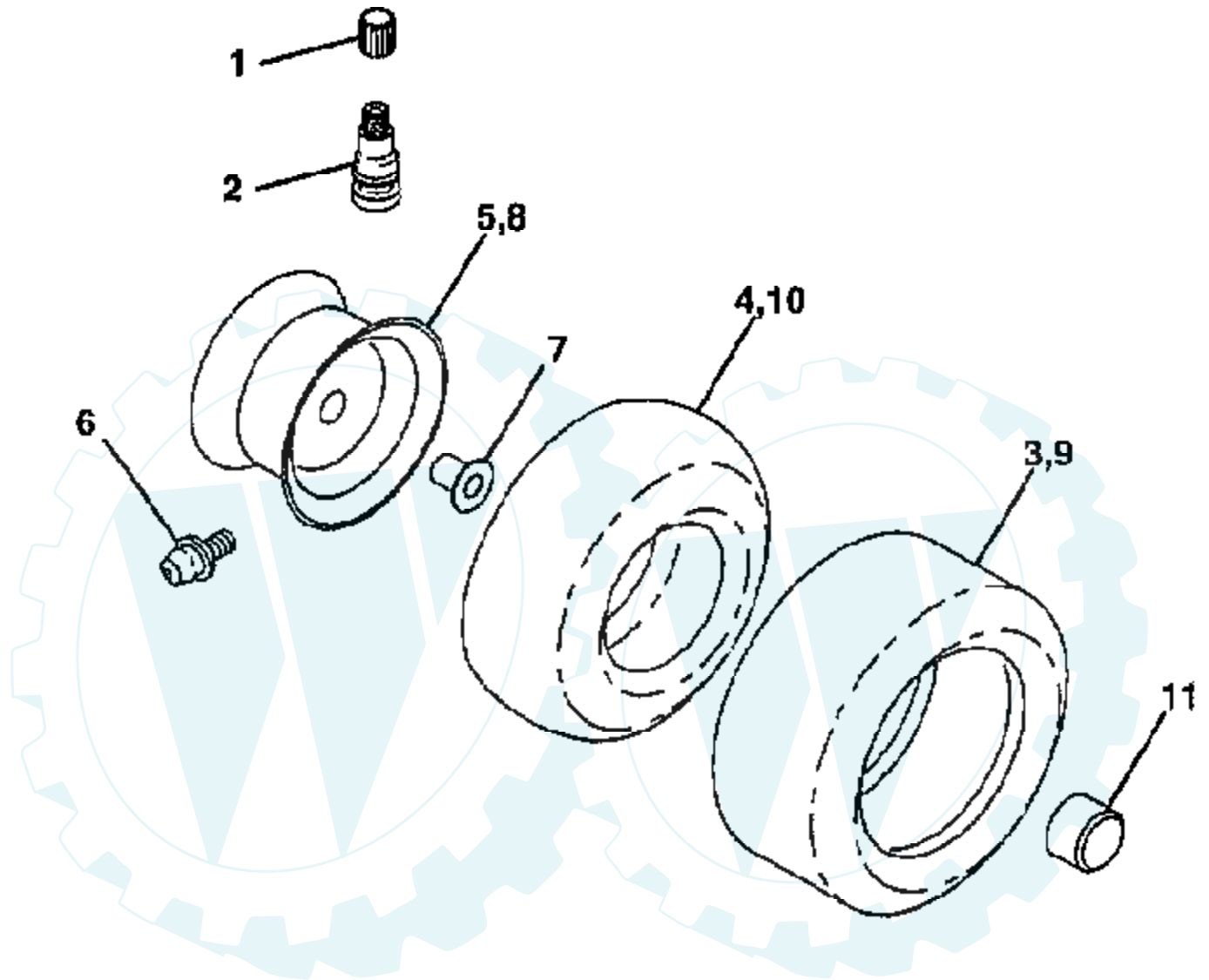


Ref #	Part Number	Qty	Description
1	5305D		HOUSING, UPPER
2	1919		SCREW
3	5112		BALL, DETENT
4	3626		SPRING, DETENT
5	3623		SCREW, SET
6	4604		KIT, SHIFTER ASSEMBLY
7	5024		BOOT, SHIFTER
8	3907		PUCK, FRICTION
9	5131		SCREW TAPPING WITH SEALER
10	1106		RING, RETAINING
11	4689		ASSY, KIT, SHIM .625 SHAFT
12	5406		GEAR, SPUR, 15T
13	3876		WASHER, PLAIN .632 X 1.38 X .046
14	1746		KEY, WOODRUFF, #9
15	4171		ASSY KIT INPUT SHAFT
16	3725		PINION BEVEL 14 TEETH
17	3624		RING, RETAINING
18	3625		CHAIN, 24 PITCHES
19	1542		BEARING, FLANGE
20	5402		GEAR, SPUR, 14 TEETH
21	5303		COLLAR, CLUTCH
22	4759		ASSY, KIT, CLUTCH KEYS
23	5415		BEARING, FLANGE
24	5403		SHAFT, INTERMEDIATE
25	1375		KEY, WOODRUFF, #61
26	3627		RING, RETAINING
27	3830		SPROCKET, 18 TEETH
28	3841		SPACER
29	5365		GEAR, SPUR, 37 TEETH
30	5407		GEAR, SPUR, 35T
31	3867		GEAR, SPUR, 30 TEETH
32	3783		GEAR, SPUR, 25 TEETH
33	3869		GEAR, SPUR, 22 TEETH
34	5202		GEAR, SPUR, 19 TEETH
35	3628		WASHER, PLAIN .640 X 1.37 X .061
36	1423		WASHER, PLAIN .632 X 1.00 X .026
37	3422		SPACER .630 X 1.00 X .169
38	4286		ASSY GEAR COMB 12&35 TEETH
39	3967		SHAFT, IDLER
40	3901		SPACER .635 X .875 X .755
41	3645		SPROCKET, 9 TEETH
42	3589		GEAR, BEVEL, 42 TEETH
43	4691		ASSY, KIT, SHIM .750 SHAFT
44	3882		SHAFT, DRIVE
45	3724		SCREW TAPPING
46	5364		GEAR SPUR, 12 TEETH
47	3866		GEAR, SPUR, 20 TEETH
48	3719		GEAR, SPUR, 25 TEETH
49	3868		GEAR, SPUR, 28 TEETH
50	3683		GEAR, SPUR, 31 TEETH
51	1145		WASHER, PLAIN .632 X 1.00 X .060
52	5130		WASHER, NEOPRENE
53	3184		WASHER, PLAIN .758 X 1.25 X .031
54	3880		AXLE LEFT HAND
55	3871		GEAR MITER 15 TEETH
56	3656		RING, RETAINING
57	3839		GEAR, SPUR, 32 TEETH
58	3919		SHAFT, CROSS

Ref #	Part Number	Qty	Description
59	3726		GEAR, MITER, 15 TEETH
60	3881		AXLE, R.H.
61	5304E		HOUSING, LOWER
62	3920		PUCK, FRICTION
63	3276		DISC, BRAKE
64	3758		SPACER
65	3916		JAW, BRAKE
66	3843		PIN, DOWEL
67	5120		SCREW, SELF-TAPPING
68	5285		LEVER ACTUATING
69	3760		WASHER, PLAIN .321 X 1.00 X .055
70	3917		BRACKET, ANTI-ROTATION
71	3847		LOCKNUT 5/16-24
72	5416		SEAL, OIL
73	4300		GREASE



WHEELS & TIRES



Ref #	Part Number	Qty	Description
1	59192		VALVE CAP
2	65139		VALVE STEM LT
3	106222X		SUB= 122073X
4	59904		TUBE.5.3/4.5/6
5	106732X473		"RIM.ASM.6""FRONT"
6	278H		FITTING LT
7	9040H		"FLANGE, BEARING"
8	106108X473		"RIM.ASM.8""REAR"
9	139468		DECAL.PNL.SIDE
10	7152J		TUBE.18X9.5-8
11	104757X		HUB CAP

