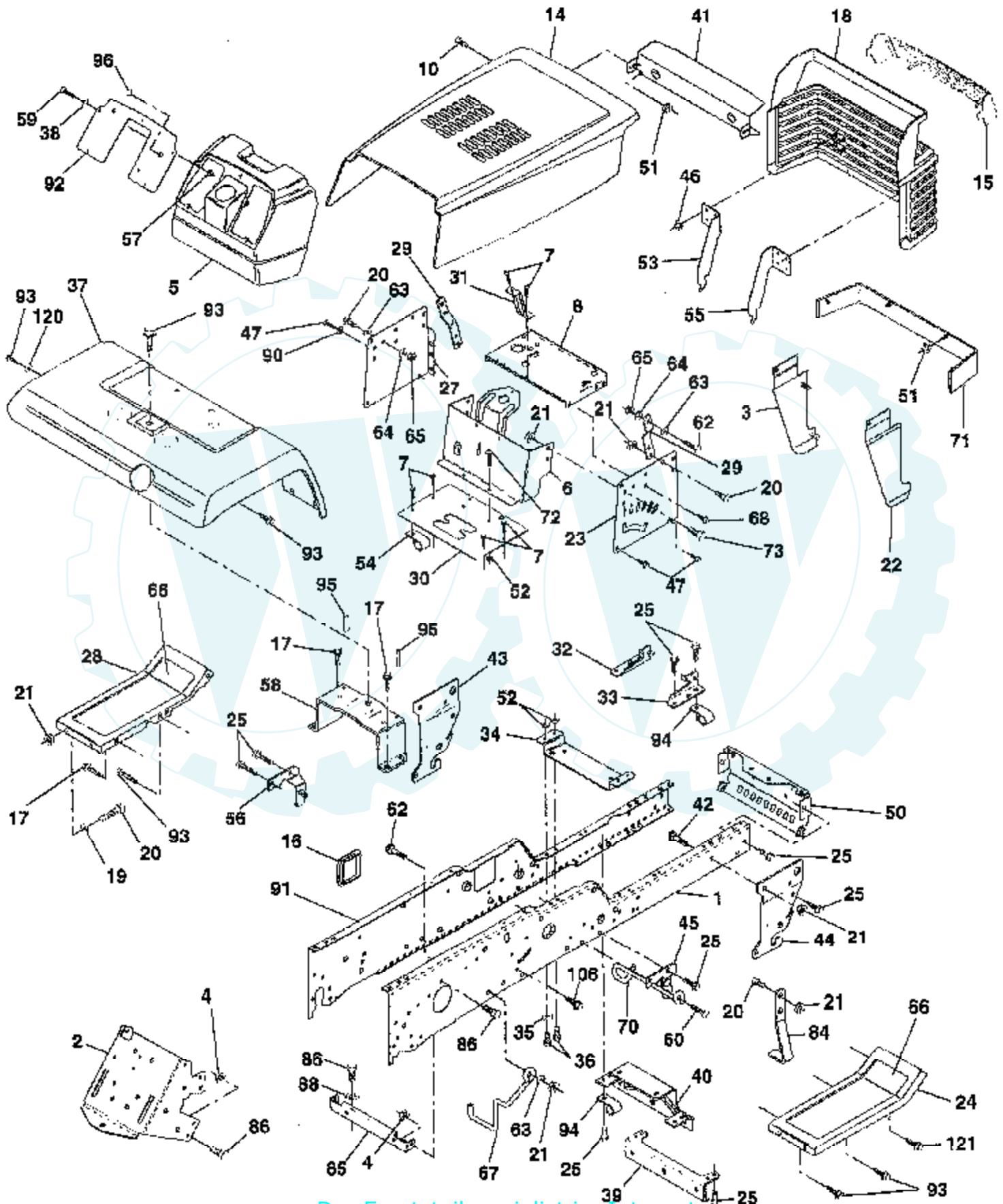


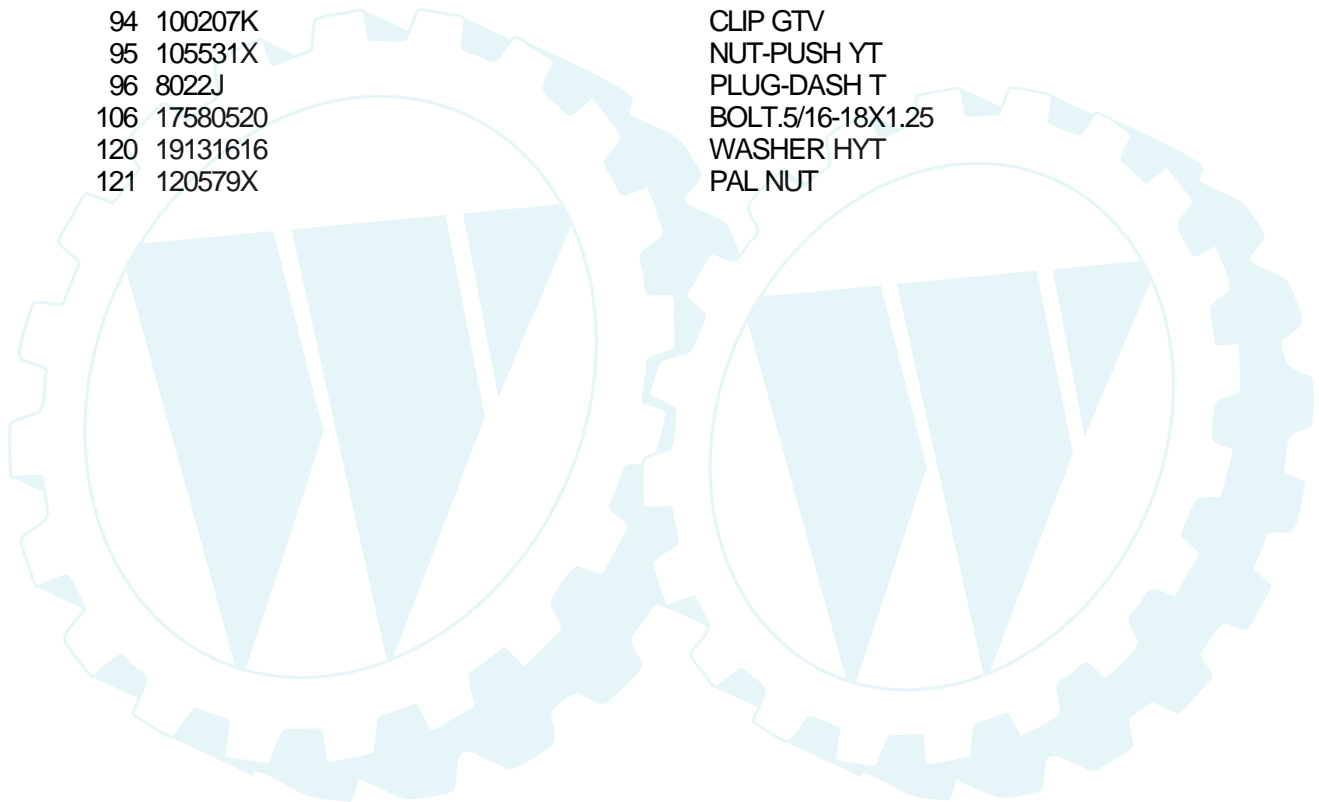
20 HP 50" TRACTOR -- MODEL NUMBER WE2050A

CHASSIS AND ENCLOSURES



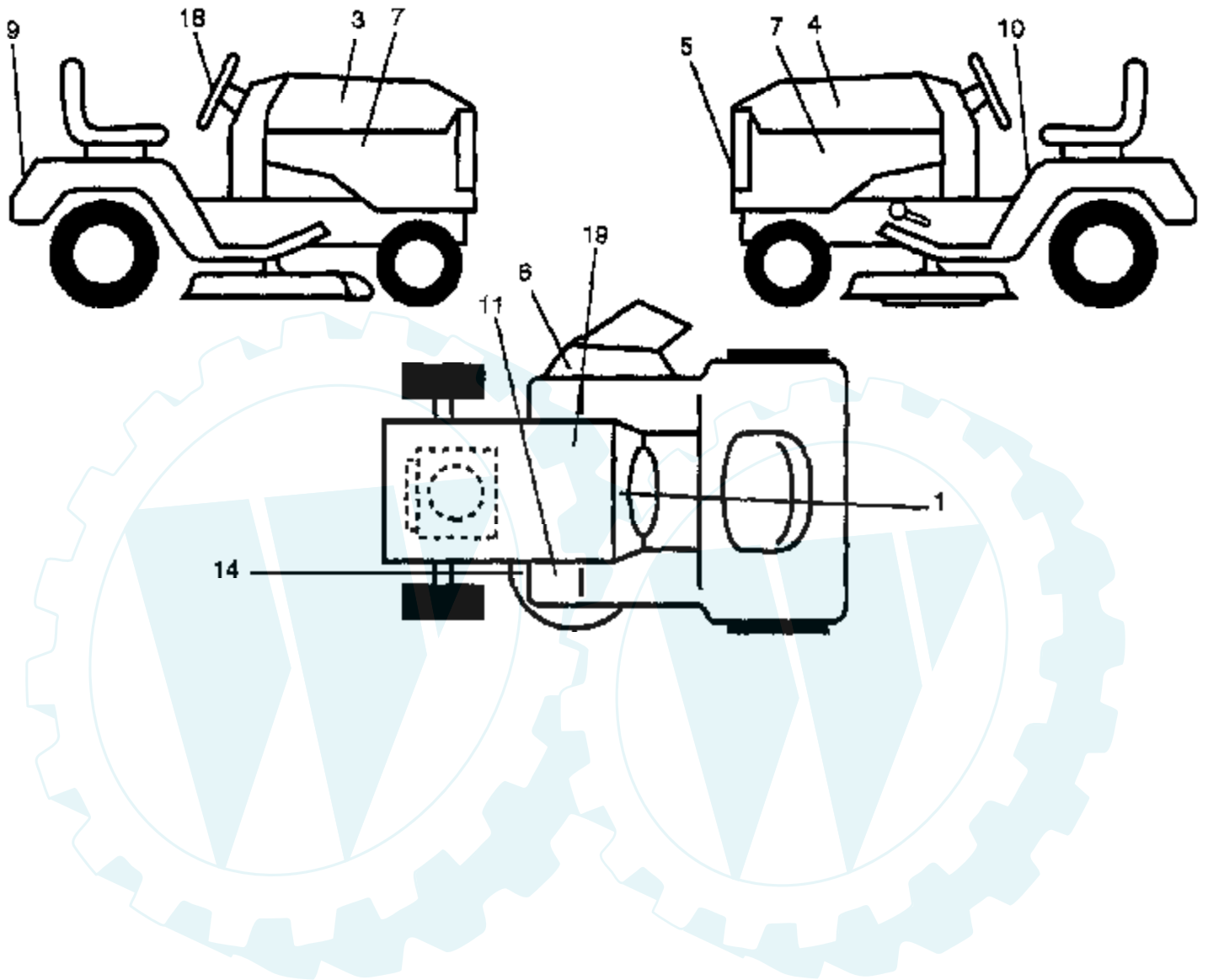
Ref #	Part Number	Qty	Description
1	140505		SUB= 150383
2	14506		DRAWBAR, GT
3	123765X419		SIDE PANEL LH
4	73800700		NUT.7/16
5	136696		SUB= 145203
6	139420		DASH ASM LOWER
7	17720408		SCREW
8	140229		SUPPORT BATRY VGT
10	124201X		SCREW SPECIAL
14	123801X419		HOOD
15	110989X		LENS GRILLE
16	121794X		COVER ACCESS
17	17490612		SCREW
18	140671		GRILLE ASM WELD
19	19131312		WASHER
20	74760616		BOLT
21	73800600		NUT
22	123764X419		SIDE PANEL RH
23	121045X		SUB= 532121045
24	105464X419		FOOTREST RH
25	17490612		SCREW
26	17490512		SCREW
27	121046X		SUB= 532121046
28	105465X419		SUB= 145244X419
29	138193		BRKT.SUPT.DASH
30	137143X014		SADDLE SILKSCRN
31	137556		BRACE.SUPT.STRG
32	141315		BRACKET ASM FRAME
33	141314		BRACKET ASM FRAME
34	142131		BRACKET.ENG.SUPT.
35	19111116		WASHER
36	74780512		BOLT
37	121642X419		FENDER
38	19091216		WASHER PM
39	136961		BRACKET.AXLE.FRT.
40	142132		SUB= 156111
41	132257		SUB= 918132257
42	72140608		SUB= 72110608
43	136939		BRACKET.SUS.FT.LH
44	163940		BRACKET, SPNSN FR. RH
45	138460		SUB= 155887
46	138460		SUB= 155887
47	17490608		SCREW LT
50	136575		BRACKET.CHASSIS.
51	108067X		PAL NUT LT
52	73800500		NUT
53	137467		BRACKET.RH
54	126470X		"CLIP,INSULATOR"
55	137466		BRACKET.LH
56	138461		SUB= 155886
57	73510400		NUT
58	137113		BRKT.ASM.FENDER
59	74180412		SCREW
60	17490620		SCREW
62	72110608		BOLT D
63	19131614		WASHER
64	10040600		LOCKWASHER
65	73220600		NUT.HEX.3/8-16UNC

Ref #	Part Number	Qty	Description
66	133671		FOOTREST PAD
67	140737		GUIDE BELT TRANS
68	17490508		SCREW LT
70	137159		GUIDE.BELT.MID.SP
72	74180512		SCREW
73	74780616		BOLT
84	142992		STOP.OVER.CENTER
85	120404X		SUB= 156404
86	74760716		BOLT
88	10040700		LOCKWASHER
90	11050600		LOCKWASHER
91	140504		SUB= 151630
92	140938X011		PLATE, SILKSCREEN DASH
93	17490608		SCREW LT
94	100207K		CLIP GTV
95	105531X		NUT-PUSH YT
96	8022J		PLUG-DASH T
106	17580520		BOLT.5/16-18X1.25
120	19131616		WASHER HYT
121	120579X		PAL NUT

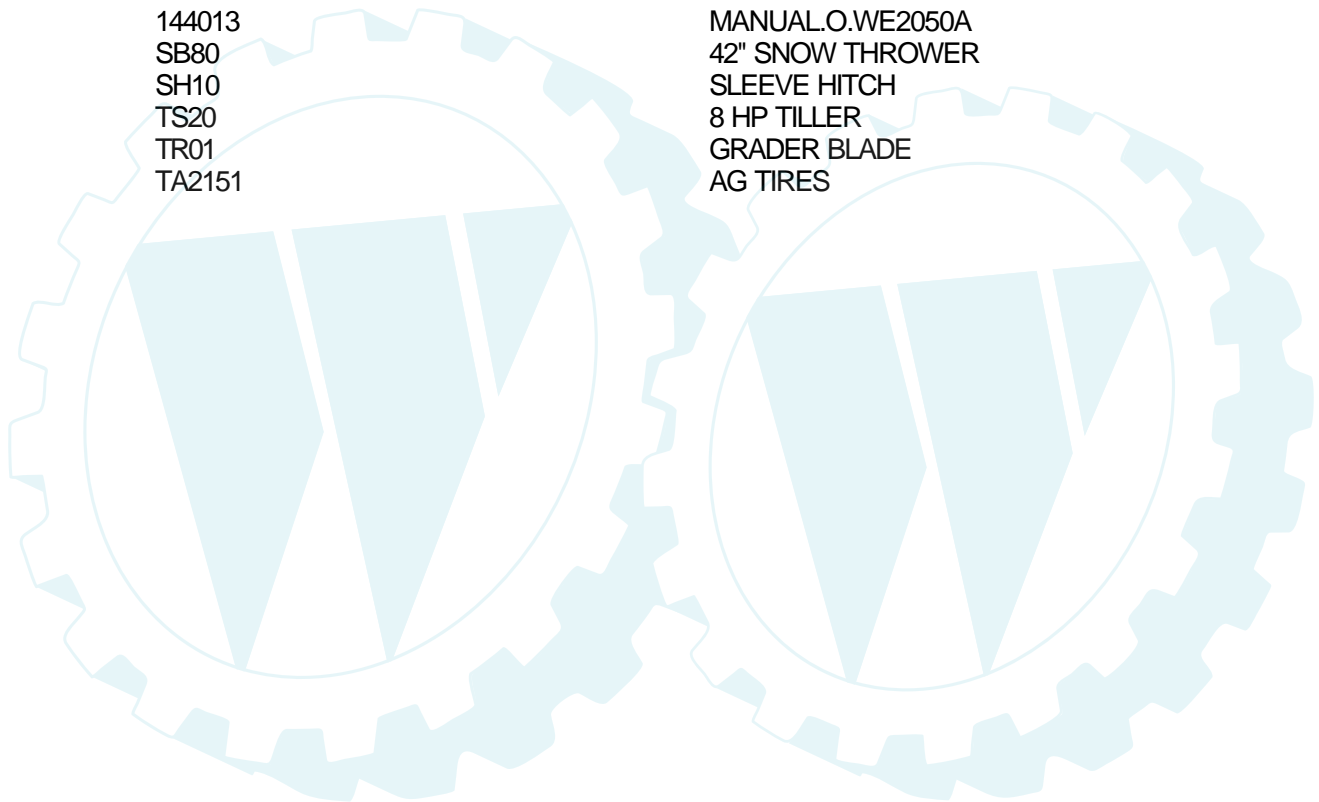


20 HP 50" TRACTOR - - MODEL NUMBER WE2050A

DECALS

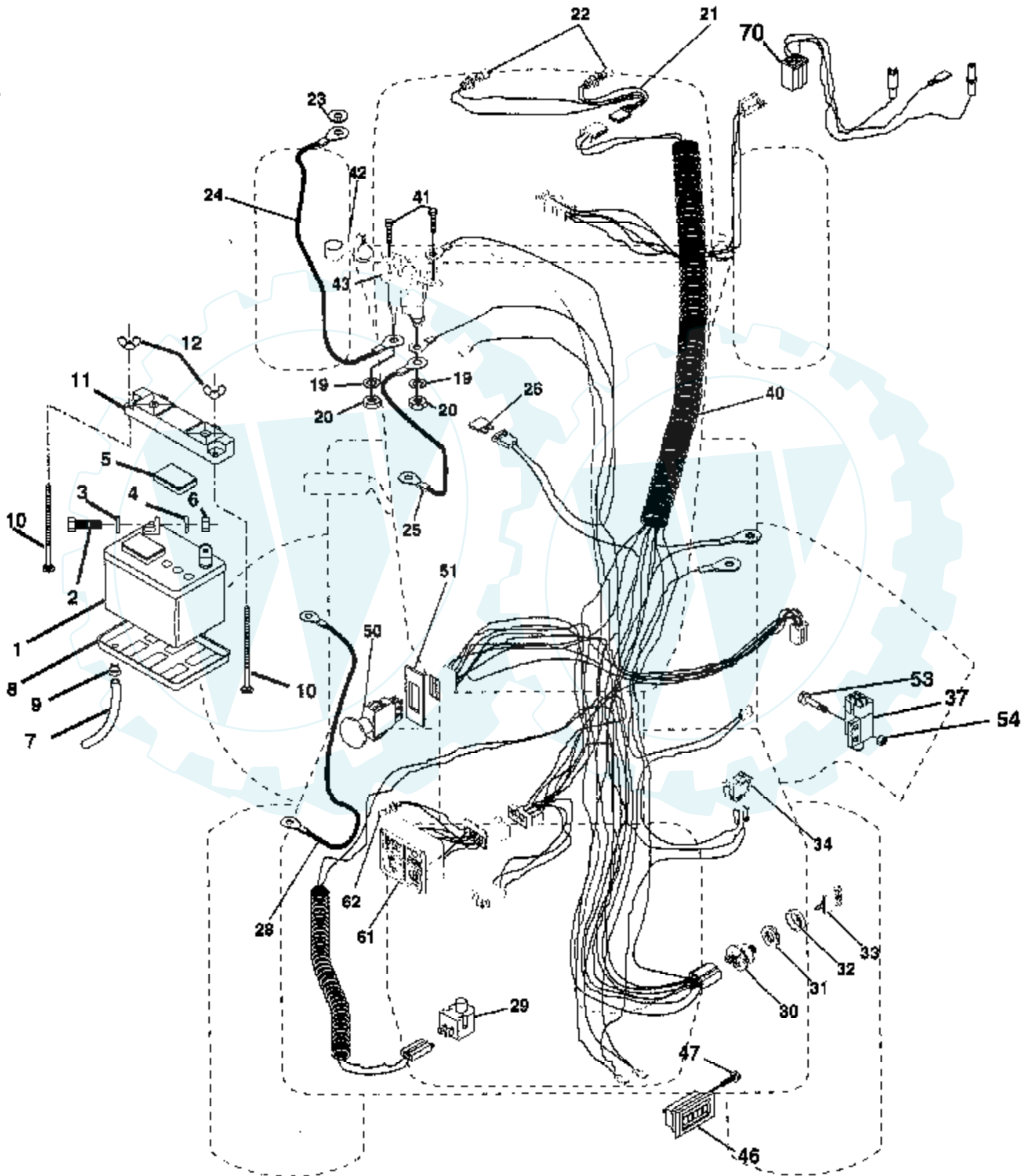


Ref #	Part Number	Qty	Description
1	141901		DECAL INST OP DAS
3	143372		DECAL.HD.B&S.RH
4	143373		DECAL.HD.B&S.LH
5	137044		DECAL.GRILL
6	137259		"DECAL, WARNING"
7	138049		DECAL.PANEL.SIDE
9	137043		DECAL.FENDER
10	141898		DECAL CAUT FEND
11	141897		DECAL CLUT/BRAKE
14	139346		"DECAL.V.BELT.44""
18	143961		DECAL.INS.STRG.WH
19	121549X		DECAL
	138311		DECAL HANDLE LIFT
	144012		MANUAL.O.WE2050A
	144013		MANUAL.O.WE2050A
	SB80		42" SNOW THROWER
	SH10		SLEEVE HITCH
	TS20		8 HP TILLER
	TR01		GRADER BLADE
	TA2151		AG TIRES



20 HP 50" TRACTOR - - MODEL NUMBER WE2050A

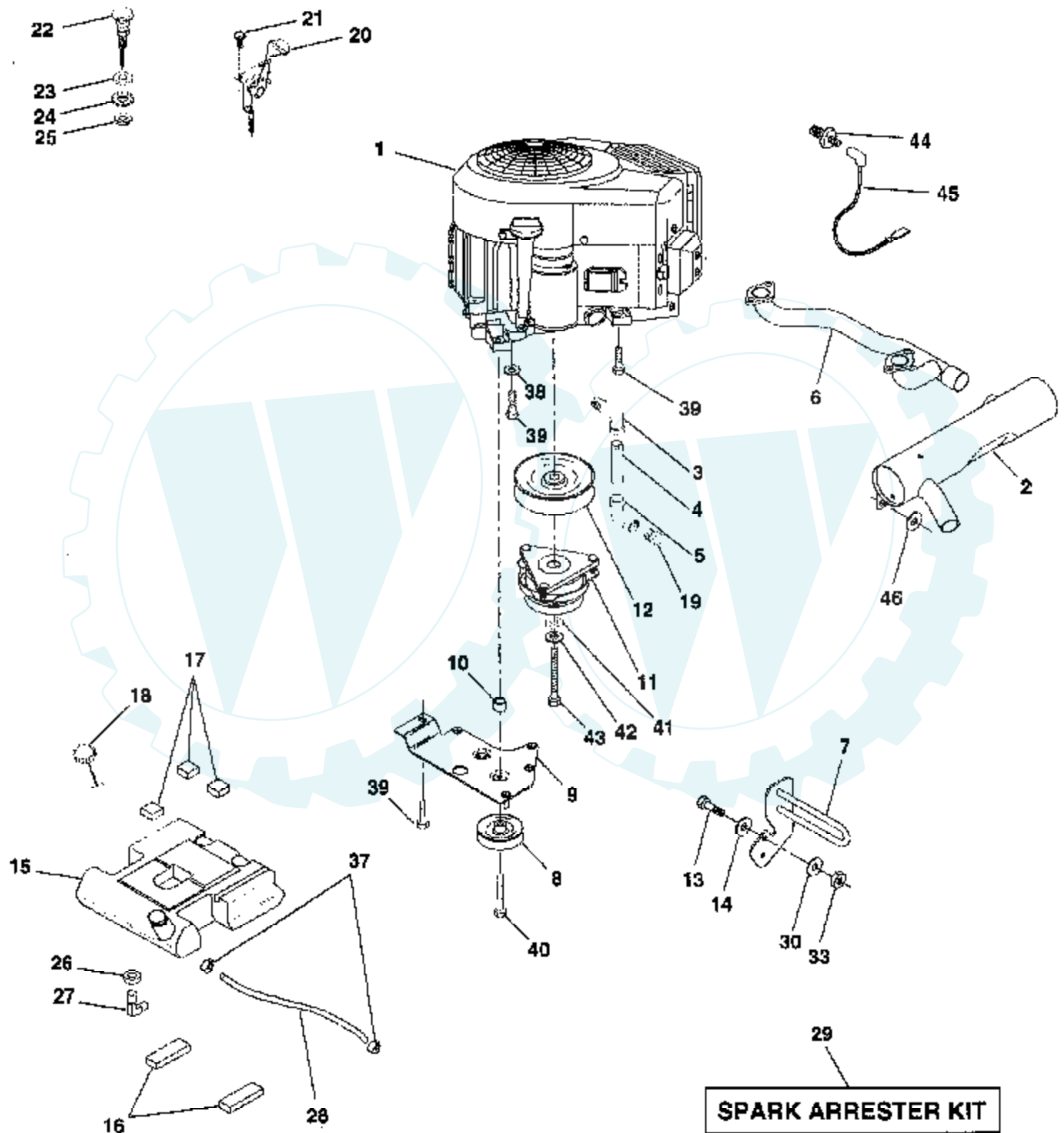
ELECTRICAL



Ref #	Part Number	Qty	Description
1	121537X		SUB= 123899X
2	74760412		BOLT LT
3	19091016		WASHER
4	10040400		LOCKWASHER
5	121264X		"CAP,BATTERY "
6	73220400		SUB= 50675
7	7697J		"DRAIN TU T, BATT"
8	7603J		"TRAY T, BATTERY"
9	109596X		HOSE CLAMP T
10	72240460		BOLT
11	102476X		SUB= 150109
12	123198X		SUB= 146525
19	10090400		SUB= 10040400
20	73350400		NUT
21	127441X		SUB= 136850
22	4152J		HEADLAMP BULB
23	11150400		LOCKWASHER
24	4799J		"CABLE T, BATTERY"
25	4206J		CABLE-BATTERY T
26	108824X		FUSE HYT
28	121080X		SUB= 120606X
29	121305X		SWITCH SEAT
30	140399		SUB= 163088
31	140400		SUB= 145774
32	141226		COVER KEY SWITCH
33	140401		KEY MLD GEN DELTA
34	110712X		SWITCH LT
37	109553X		SWITCH INTERLOCKT
40	143064		HARNESS IGNITION
41	17720408		SCREW
42	131563		SUB= 154336
43	138406		SUB= 146154
46	110940X		HOUR METER T
47	17011008		SCREW
50	140404		SUB= 154959
51	140405		RING RETAIN PTO
53	71031008		SCREW
54	73951000		"NUT,KEPS"
61	138101		LIGHT.PKG.ASM.
62	110143X		BULB LIGHT T
70	141983		HARNESS.ENG.VANII

20 HP 50" TRACTOR - MODEL NUMBER WE2050A

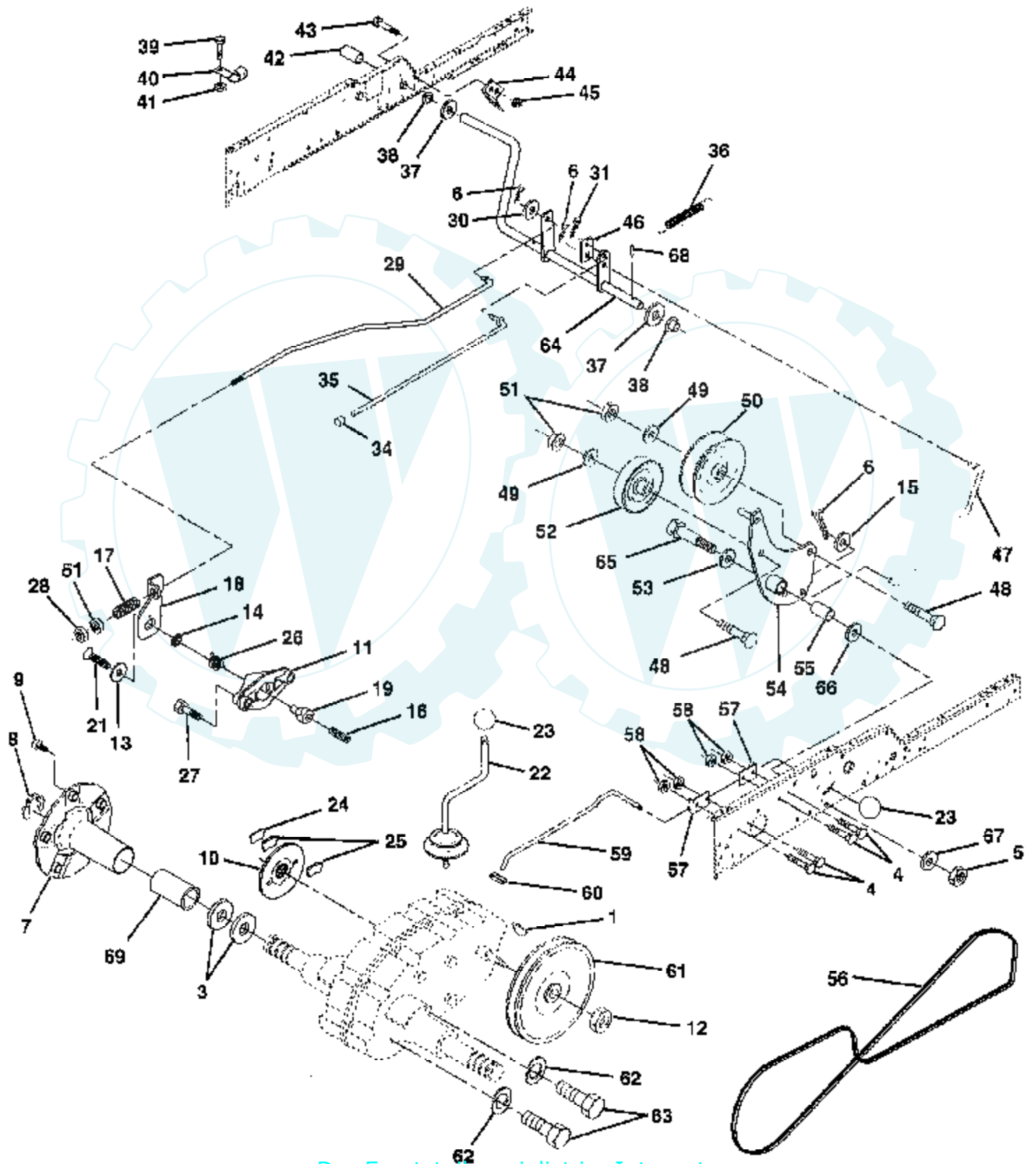
ENGINE



Ref #	Part Number	Qty	Description
1	351777		ENGINE B&S
2	140876		BRACKET.ACTUAT.LH
3	13240300		STREET ELBOW LT
4	13280328		PIPE NIPPLE
5	13200300		ELBOW
6	140805		PIPE.EXHAUST.B&S
7	143599		SUB= 151396
8	121361X		SUB= 139123
9	138559		SUB= 150828
10	135432X		BUSHING
11	137140		SUB= 142600
12	136907		PULLEY.ENGINE.VGT
13	74780624		"BOLT,HEX"
14	19131414		WASHER
15	141069		SUB= 151346
16	109227X		PAD IDLER TI
17	106082X		PAD-SPACER LT
18	123549X		SUB= 158990
19	13290300		PLUG T
20	143885		CONTROL.TRTL.37
21	17720410		SCREW LT
22	132784		CHOKE CONTROL
23	19132616		WASHER
24	11050600		LOCKWASHER
25	73610600		SUB= 7810H
26	3645J		BUSHING OUTLET T
27	139227		SUB= 139277
28	7834R		SUB= 8542R
29	132920		SPARK ARREST KIT
30	19132007		WASHER T
33	73800600		NUT
37	23487X		CLAMP
38	11050600		LOCKWASHER
39	17490624		SCREW LT
40	17490652		SCREW.3/8-16X3.25
41	126197X		WASHER
42	10040700		LOCKWASHER
43	71170768		SUB= 150280
44	144222		WIRE.LEAD.SENTRY
46	19131616		WASHER HYT

20 HP 50" TRACTOR -- MODEL NUMBER WE2050A

GROUND DRIVE



Ref #	Part Number	Qty	Description
1	9858M1		KEY
3	7563R		WASHER T
4	72140506		BOLT
5	73680600		SUB= 73690600
6	76020412		COTTER PIN
7	135758		SUB= 149176X431
8	12000034		KLIP RING
9	140080		BOLT.HUB.WHL.REAR
10	143046		SUB= 142509
11	136927		YOKE BRAKE DISC
12	9204H		NUT STD
13	139419		WASHER SPECIAL
14	138901		BUSHING LEVER BKT
15	19131316		WASHER
16	143012		SCREW SET 1/4-20
17	126909X		"SPRING,ROD BRAKE"
18	137104		LEVER BRAKE GT
19	136926		CAM BRAKE DISC GT
21	23260412		SCREW FLT 1/4X28
22	633A109		GEAR SHFT LVR T
23	121466X		KNOB
24	136925		SUPPORT PUCK BRKE
25	136923		PUCK BRAKE TOP
26	137552		SPRING RET BRAKE
27	17490528		SCREW HX WASH
28	73350600		NUT
29	137213		ROD BRAKE ZINC GT
30	19131614		WASHER
31	76020312		SUB= 3145
34	76020312		SUB= 3145
35	137648		ROD BRAKE PART GT
36	138364		SUB= 149412
37	121749X		WASHER
38	110895X		NYLINER T
39	74321016		SCREW
40	5304J		ACT-SWITCH T
41	73631000		SUB= 69180
42	123533X		"COVER,PEDAL"
43	74760412		BOLT LT
44	104601X		BRKT SWITCH GT
45	73800400		NUT
46	121358X		RETAINER SPRING
47	138228		ROD.CLUTCH
48	72110614		BOLT
49	19131413		WASHER
50	131494		FLAT IDLER PULLEY
51	73800600		NUT
52	139123		PULLEY.IDLER.V.GR
53	207J		WASHER T
54	138390		ARM.ASM.IDLER.CLU
55	105706X		"LY, BEARING"
56	137153		BELTV.GR.DR.83.
57	105598X		ROD BRACKET GT
58	73800500		NUT
59	122253X		ROD SHIFT HI LO
60	122268X		CONNECTING LINK
61	137524		SUB= 532137524
62	10040700		LOCKWASHER

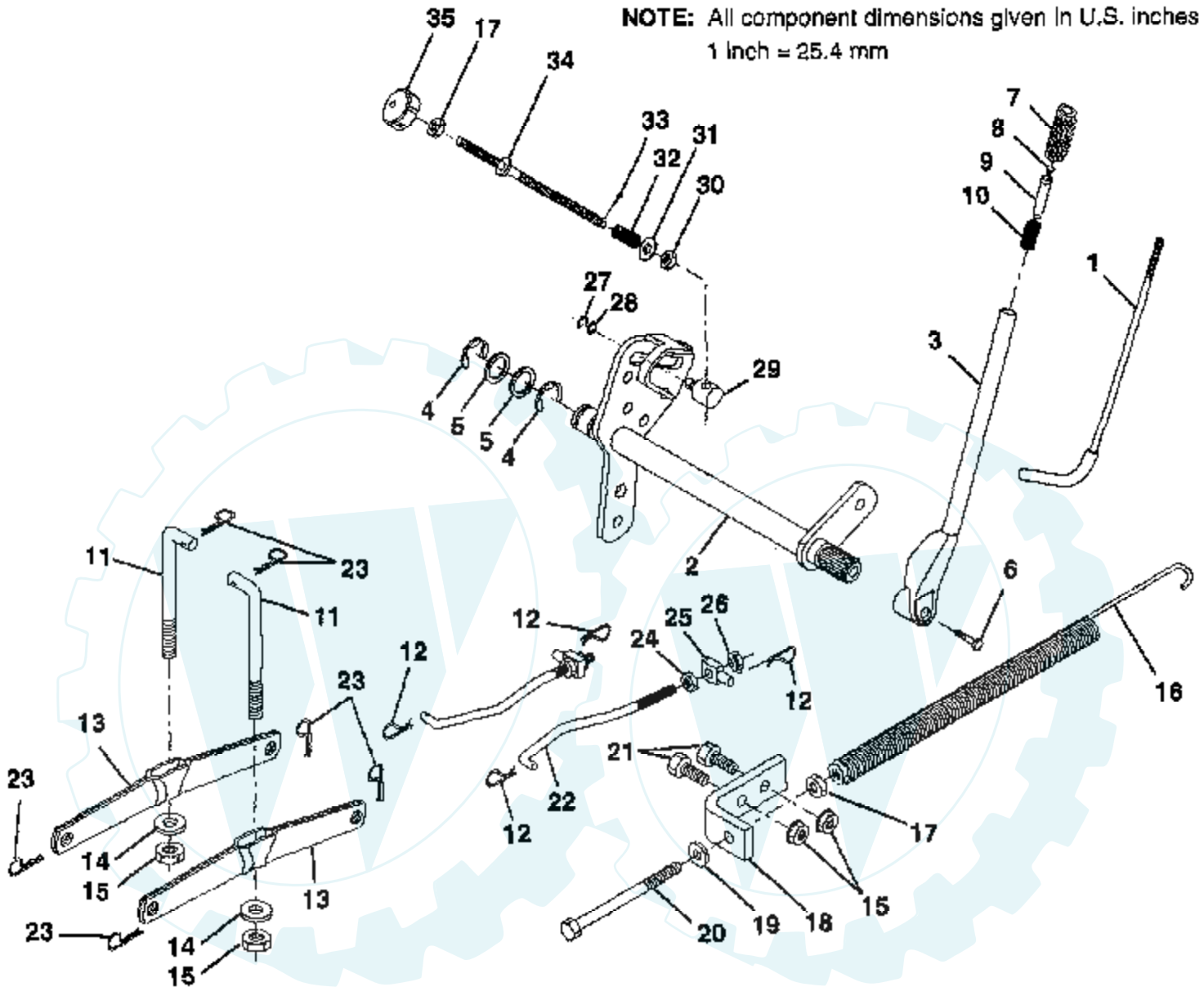
Ref #	Part Number	Qty	Description
63	74760720		BOLT
64	137649		SUB= 154752
65	67609		AXLE BOLT
66	140296		WASHER.HARD.BLADE
67	19131312		WASHER
68	5142H		ROLL PIN STD
69	136327		"COVER, HUB"



20 HP 50" TRACTOR - - MODEL NUMBER WE2050A

LIFT ASSEMBLY

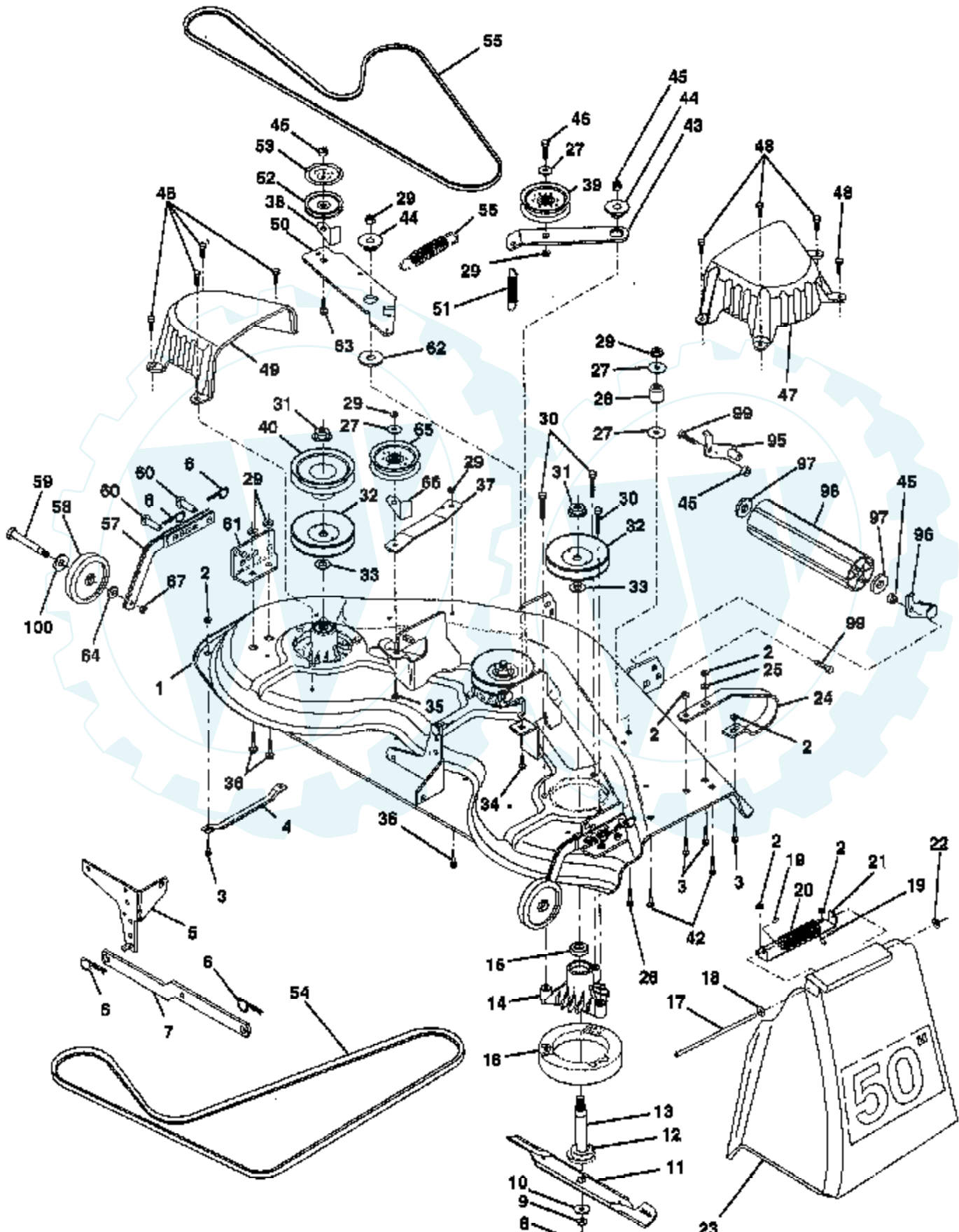
NOTE: All component dimensions given in U.S. inches
1 inch = 25.4 mm



Ref #	Part Number	Qty	Description
1	121006X		LEVER ROD LT
2	137295		SUB= 145542
3	121002X		SUB= 123096X
4	12000022		E-RING
5	19292016		WASHER
6	74780624		"BOLT,HEX"
7	109413X		GRIP
8	124526X		SUB= 125925X
9	122364X		SUB= 125925X
10	2876H		SPRING T
11	142369		SUB= 146704
12	3146R		RETAINER.SPRING
13	139867		SUB= 139868
14	140302		BEARING PVT LH
15	73800600		NUT
16	674A247		SUB= 918674A247
17	73350600		NUT
18	143363		BRACKET SPRING AS
19	19131316		WASHER
20	5328J		BOLT-ADJ SPRING T
21	74760616		BOLT
22	127218		LINK.FRONT
23	4939M		SUB= 85902
24	73350800		NUT
25	130171		TRUNION
26	73800800		NUT.LK.W/WSH.1/2.
27	12000037		KLIP RING
28	19151216		WASHER
29	110810X		TRUNION LT
30	110807X		NUT T
31	19131016		WASHER
32	137150		SPRING.COMP.INF.H
33	76020308		SUB= 3145
34	137167		ROD.ADJ.LIFT
35	138057		KNOB INF 3/8-16

20 HP 50" TRACTOR - MODEL NUMBER WE2050A

50" MOWER DECK



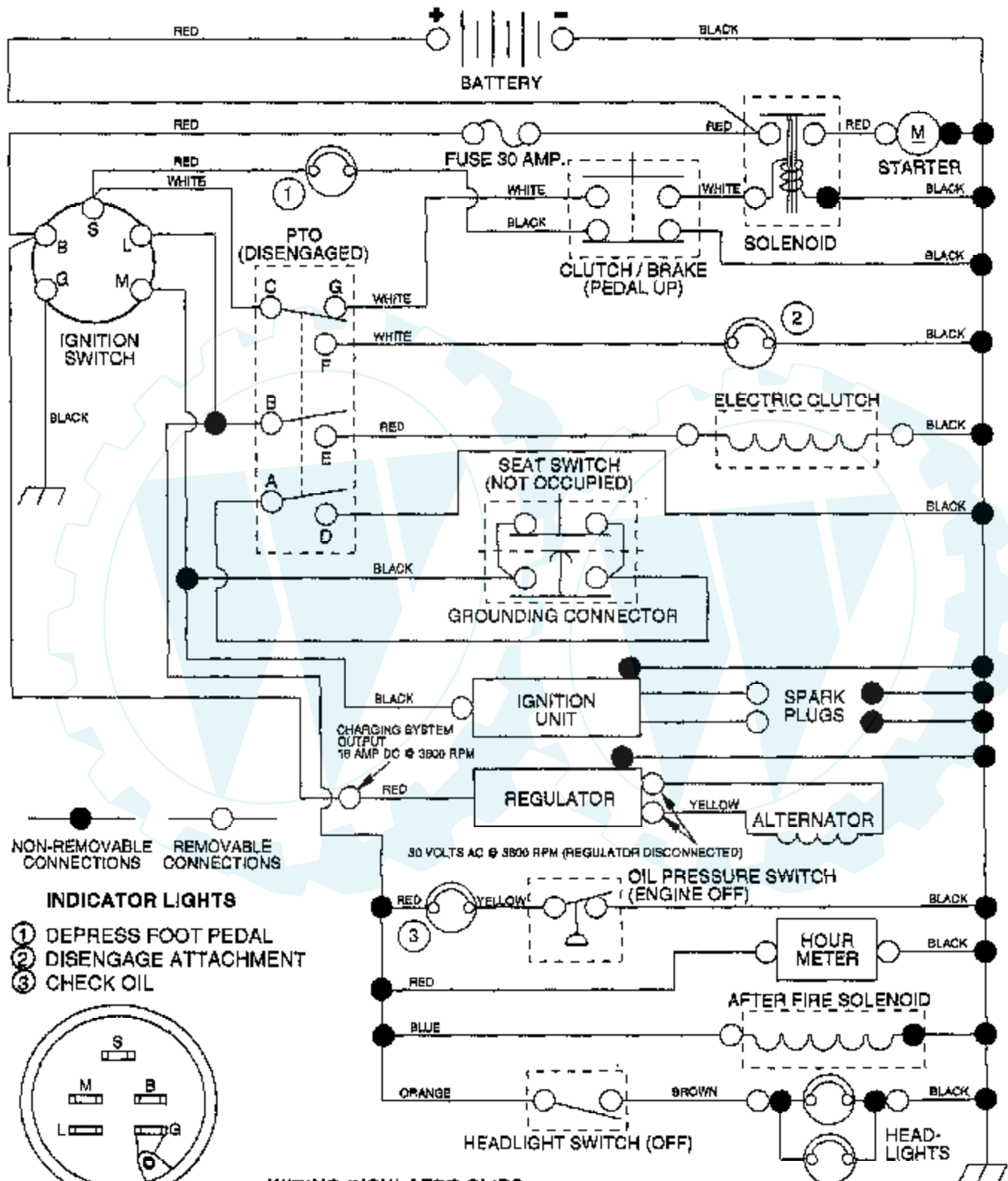
Ref #	Part Number	Qty	Description
1	136457		DECK ASM MWR 50VT
2	73800500		NUT
3	72110506		SUB= 72270506
4	7631J		RUNNER-LH M
5	138457		BRKT.ASM.SW.44/50
6	4939M		SUB= 85902
7	130832		SUB= 130833
8	850857		BLADE BOLT
9	10030600		SUB= 10040600
10	140296		WASHER.HARD.BLADE
11	137380		"BLADE.50"" HD"
12	129895		BEARING.BALL
13	137553		SHAFT.ASM.W/BRNG
14	137152		HOUSING.MAND.44.V
15	110485X		BEARING
16	140329		STRIPPER RND MWR
17	106735X		ROD-HINGE T
18	19111016		WASHER
19	105304X		CAP-SLEEVE LT
20	123713X		SPRING TORSION
21	137607		BRKT DEFLECTOR
22	110452X		NUT PUSH M
23	110509X		DEFLECTOR
24	136320		"RUNNER RH 50"" DK"
25	19111216		WASHER M
26	72110614		BOLT
27	19131316		WASHER
28	132823		SUB= 532132823
29	73800600		NUT
30	138776		SUB= 157722
31	137266		SUB= 139729
32	129861		SUB= 153535
33	129963		WASHER
34	72140610		BOLT.3/8-14X1.25
35	72110616		BOLT
36	72110608		BOLT D
37	137166		STIFFENER.ARM.IDL
38	137166		STIFFENER.ARM.IDL
39	131494		FLAT IDLER PULLEY
40	136572		"PULLEY.DRIVEN.44"""
42	72140506		BOLT
43	136460		"ARM.IDLER.SEC.44"""
44	122052X		SPACER RETAINER
45	73680600		SUB= 73690600
46	74760628		BOLT
47	137200		"COVER.MAND.RH.44"""
48	137729		SCREW.1/4-20X5/8
49	136574		COVER.MANDREL.LH
50	137272		ARM.IDLER.PRIMARY
51	137273		"SPRING.SEC.44""VEN"
52	139245		PULLEY.IDLER.VGRO
53	137789		SHIELD.IDLER.44.V
54	139573		BELT V PRIM 50
55	138255		BELT.V.GDRIVE.95
56	138687		SPRING.EXT.DECK.
57	136577		BAR.ASM.GUAGE.WHL
58	105455X		WHEEL.GAGE BLK.PL
59	4898H		BOLT M

Ref #	Part Number	Qty	Description
60	139031		PIN.CLEVIS
61	136573		BRACKET.GUAGE.WHL
62	133943		HARDENED WASHER
63	72110612		BOLT.3/8-16X1.50
64	19121414		WASHER
65	102403X		IDLER-FLAT T
66	139622		SUB= 918139622
67	73930600		LOCKNUT
95	132274		SUB= 532132274
96	132273		SUB= 532132273
97	19171416		WASHER
98	132264		SUB= 532132264
99	74760616		BOLT
100	19171512		WASHER



20 HP 50" TRACTOR - - MODEL NUMBER WE2050A

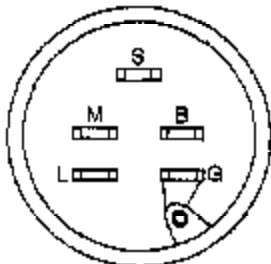
SCHEMATIC



NON-REMOVABLE CONNECTIONS REMOVABLE CONNECTIONS

INDICATOR LIGHTS

- ① DEPRESS FOOT PEDAL
- ② DISENGAGE ATTACHMENT
- ③ CHECK OIL



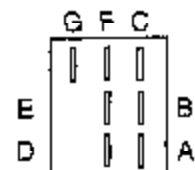
IGNITION SWITCH

POSITION	CIRCUIT
OFF	M + G
ON	B + L
START	B + S + L

WIRING INSULATED CLIPS
NOTE: IF WIRING INSULATED CLIPS WERE REMOVED FOR SERVICING OF UNIT, THEY SHOULD BE REPLACED TO PROPERLY SECURE YOUR WIRING.

PTO SWITCH

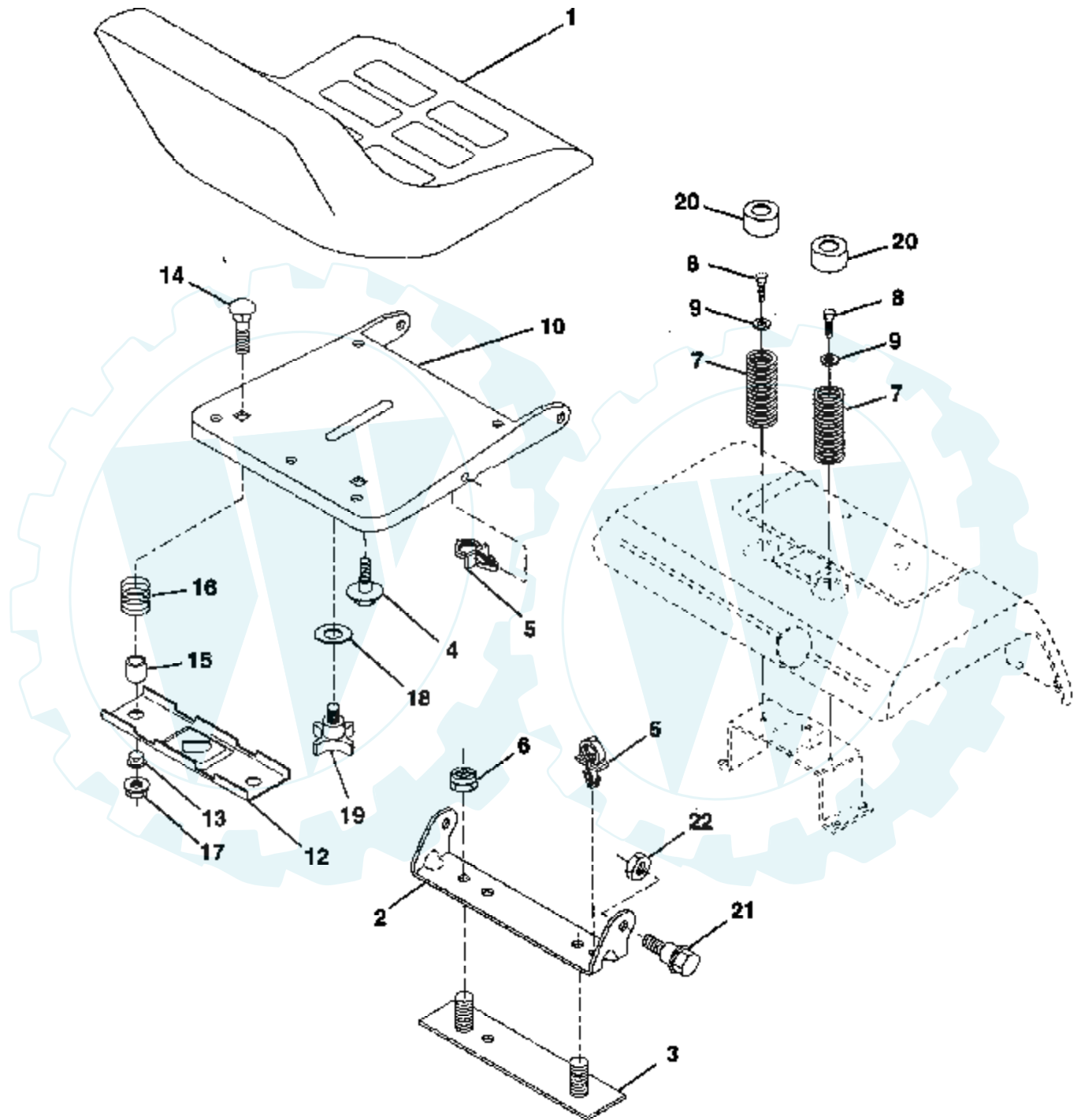
POSITION	CIRCUIT
OFF	C + G
ON	C + F, B + E, A + D



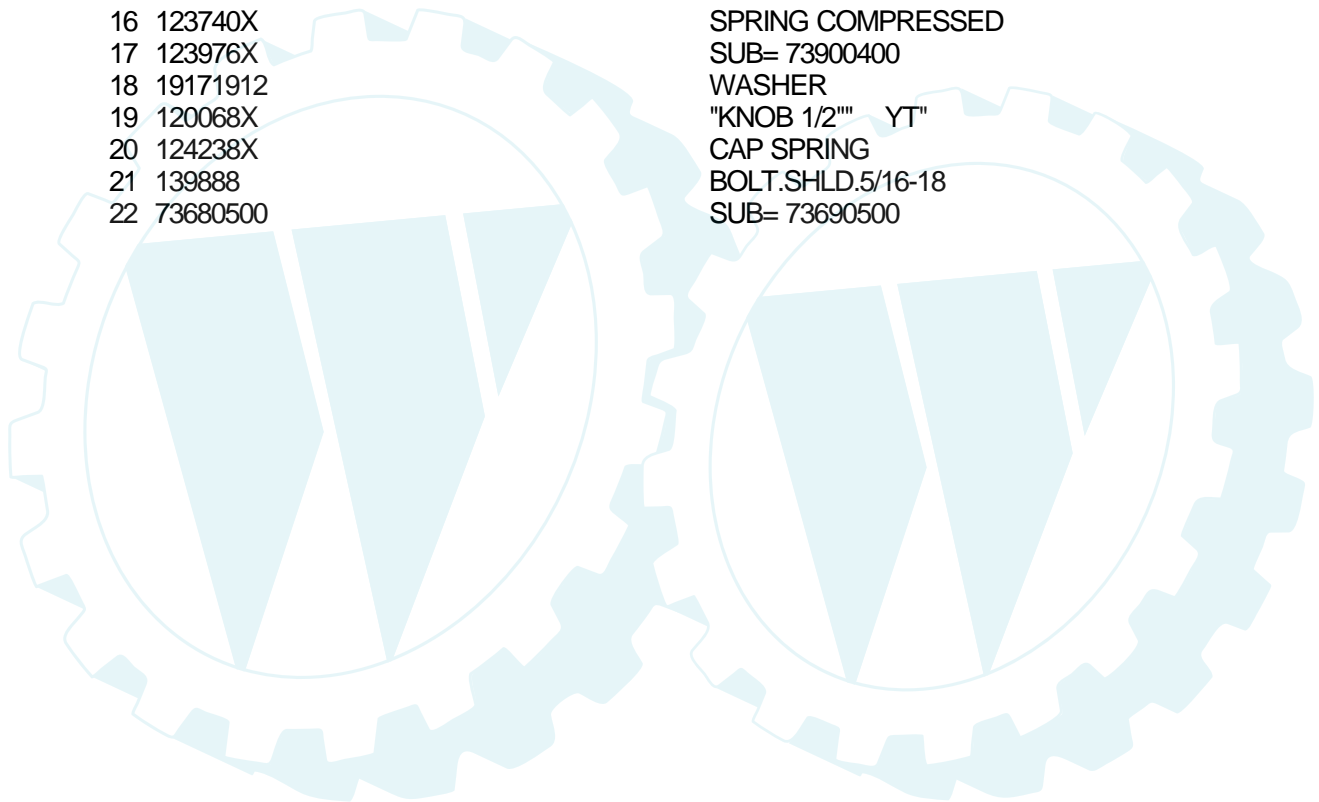
20 HP 50" TRACTOR - MODEL NUMBER WE2050A

SEAT ASSEMBLY

NOTE: All component dimensions given in U.S. inches
1 inch = 25.4 mm

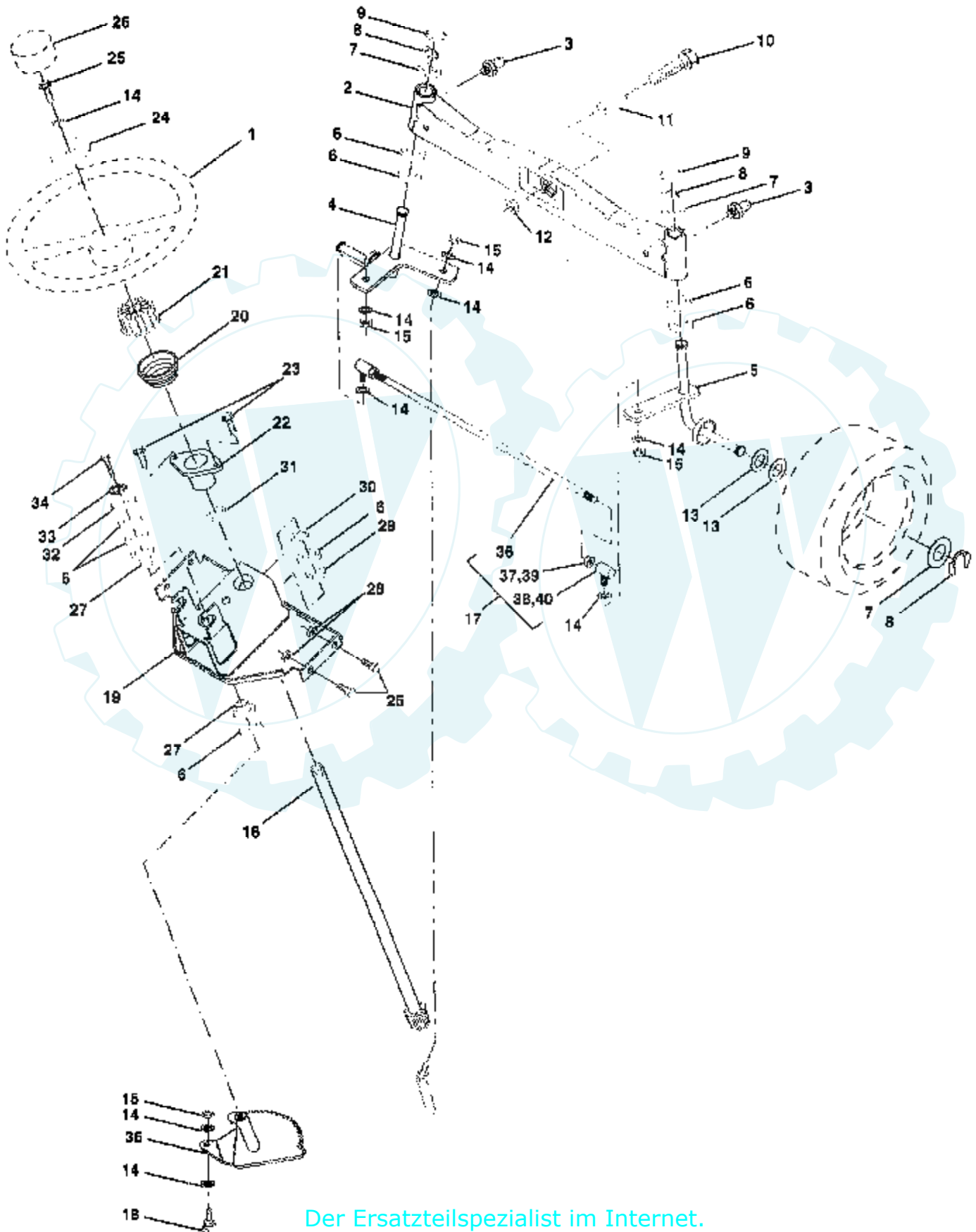


Ref #	Part Number	Qty	Description
1	127440		SUB= 140121
2	140551		BRACKET PVT SEAT
3	140675		STRAP ASM FENDER
4	127018X		"BOLT,SHOULDER"
5	140407		CLIP PUSH - IN
6	73680600		SUB= 73690600
7	124181X		SPRING COMPRESSIO
8	17490508		SCREW LT
9	19131614		WASHER
10	140552		SUB= 155925
12	121246X		BRKT SWITCH
13	121248X		BUSHING
14	72050411		SUB= 872050411
15	121249X		SPACER SPLIT
16	123740X		SPRING COMPRESSED
17	123976X		SUB= 73900400
18	19171912		WASHER
19	120068X		"KNOB 1/2" YT"
20	124238X		CAP SPRING
21	139888		BOLT.SHLD.5/16-18
22	73680500		SUB= 73690500



20 HP 50" TRACTOR -- MODEL NUMBER WE2050A

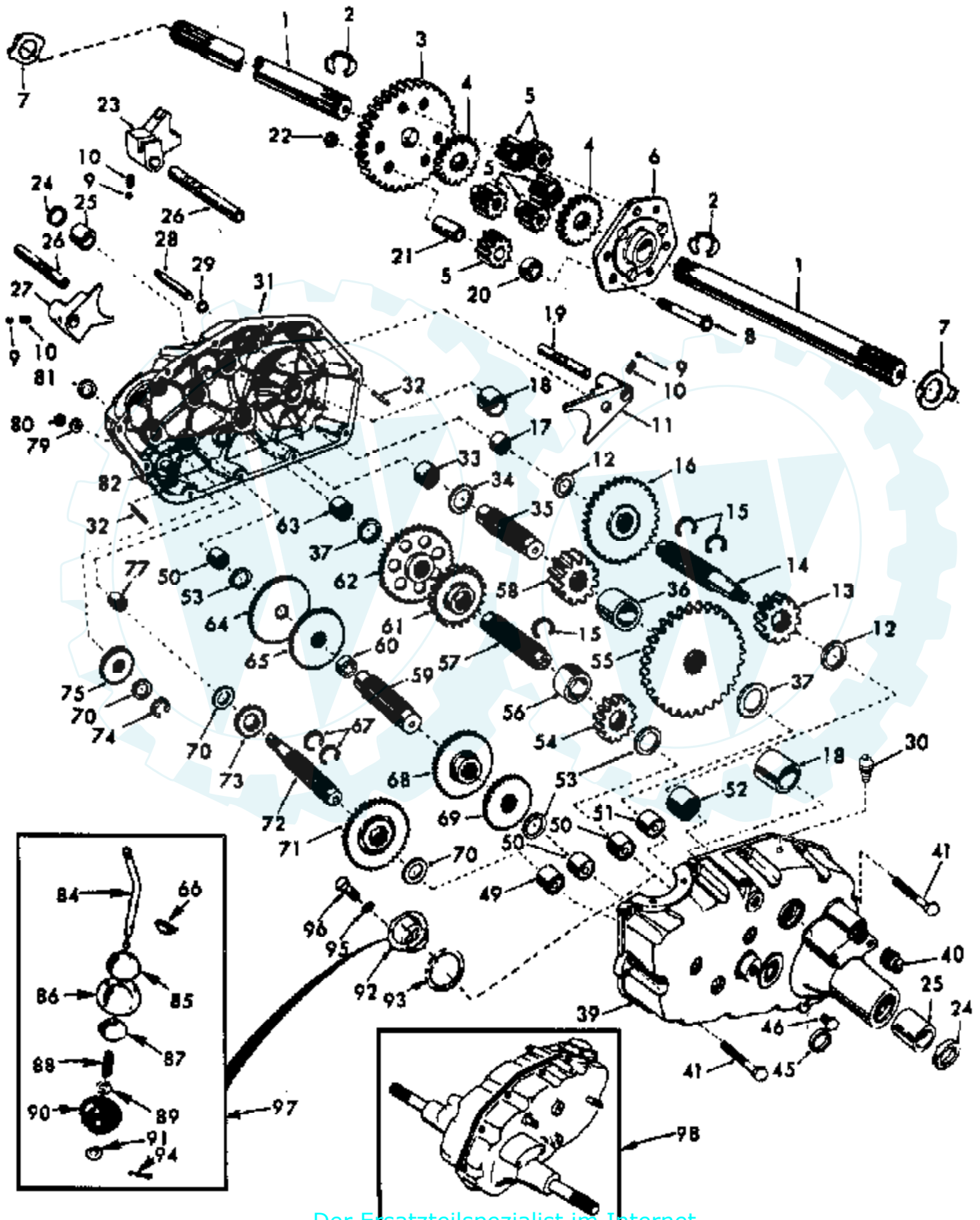
STEERING ASSEMBLY



Ref #	Part Number	Qty	Description
1	121472X		SUB= 150546
2	137094		SUB= 532137094
3	6855M		ZERK M
4	136960		SPINDLE.ASM.LH
5	136959		SUB= 918136959
6	6266H		WASHER .T
7	121748X		WASHER
8	12000029		RING
9	121232X		CAP
10	74781044		BOLT
11	136518		SPACER BEARING
12	73901000		"NUT-LOC,FLANGE LT"
13	121749X		WASHER
14	10040600		LOCKWASHER
15	73610600		SUB= 7810H
16	102458X		SHAFT ASSY GT
17	137347		ROD.ASM.TIE.BALL
18	137155		DRAGLINK.BALL.JOI
19	138053		SUB= 144673
20	139811		COLUMN STEERING
21	100711L		ADAPTER LT
22	1554J		SUB= 155108
23	17431008		SUB= 98000165
24	19133808		WASHER T
25	74780616		BOLT
26	126805X		"INSERT,STR WHEEL"
27	3366R		COL. SRTG. BEAR.
28	73800600		NUT
29	104239X		"FLANGE GT, BEAR."
30	12000034		KLIP RING
31	138136		BUSHING.NYLINER.
32	19111610		WASHER
33	10040500		LOCKWASHER
34	74760512		BOLT
35	138059		GEAR.ASM.SECTOR.
36	137156		SUB= 137347
37	73360600		NUT
38	109850X		JOINT.RH
39	73700600		NUT
40	109851X		JOINT.LH

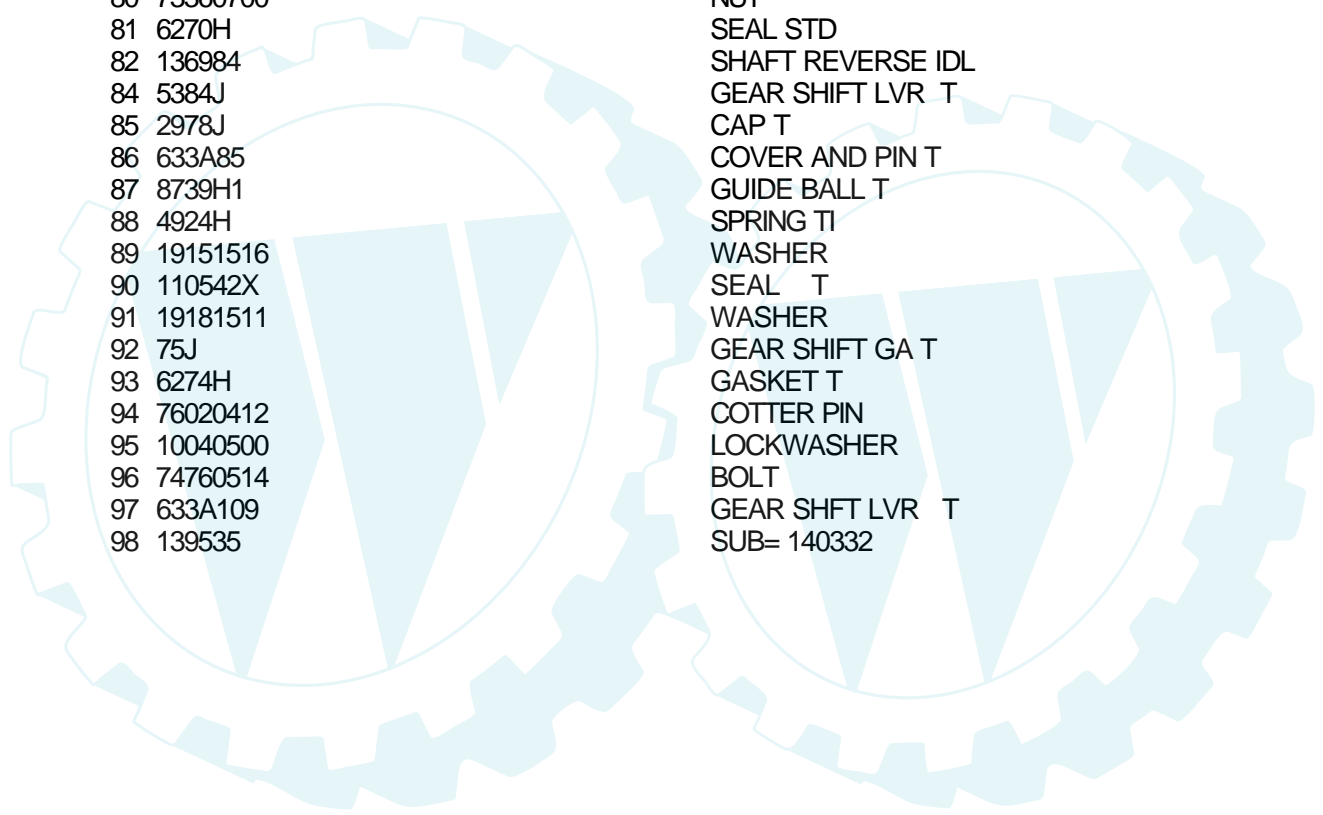
20 HP 50" TRACTOR -- MODEL NUMBER WE2050A

TRANSAXLE



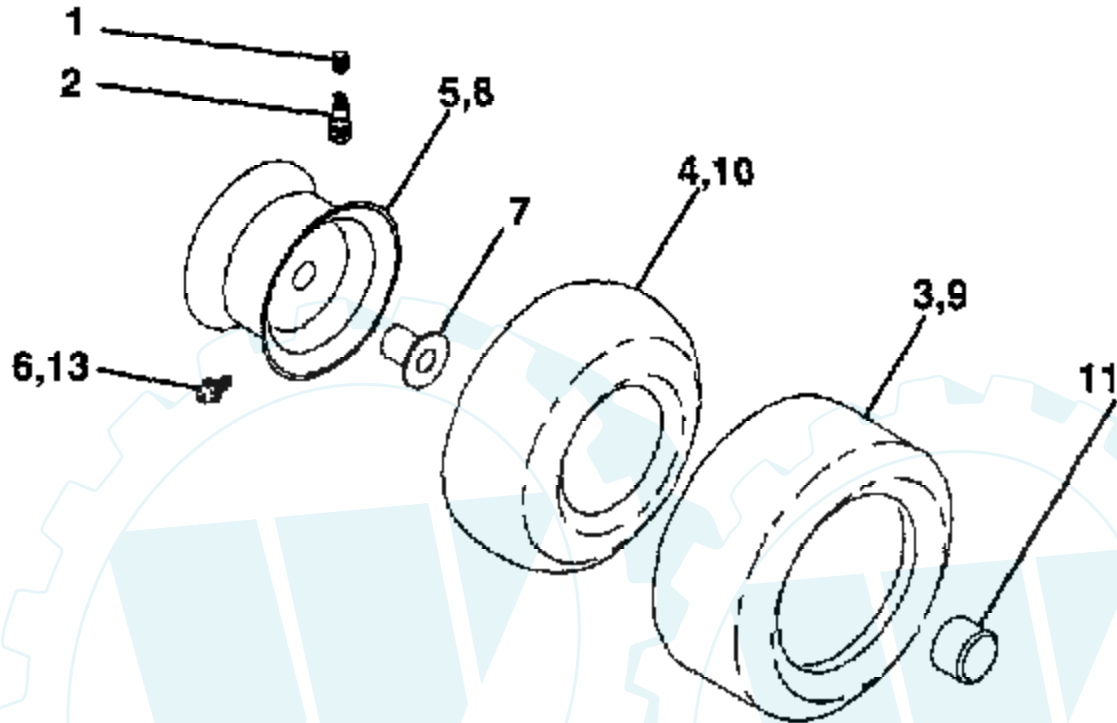
Ref #	Part Number	Qty	Description
1	4197R		SHAFT.AXLE.T
2	12000034		KLIP RING
3	4199R		FINAL GEAR T
4	4216R		DIFF GEAR T
5	4215R		DIFF PINION T
6	4217R		DIFF CARRIER T
7	6256H		WASHER T
8	74020652		BOLT
9	7392M		SUB= 100482K
10	137261		SUB= 145359
11	4985R		SHIFT FORK T
12	6266H		WASHER .T
13	4212R		RED PINION T
14	137125		SHAFT BRAKE GT
15	6276H		SNAP RING T
16	633A63		GEAR T
17	8118M		"T, BEARING"
18	8740H1		BEARING
19	122238X		SHAFT
20	4218R		SPACER T
21	6252H1		PINION RS
22	7810H		GRIPCO NUT
23	6262H		FORK T
24	7393R		OIL SEAL STD
25	992R1		BRNG. T
26	139111		SHIFT FORK SHAFT
27	4986R		SHIFT FORK T
28	122254X		SHIFT SHAFT
29	6269H		SEAL T
30	5855H		VALVE M
31	139538		GEARCASE RH W/BER
32	6277H		PIN T
33	4225R		NEEDLE BRNG T
34	7396H		RACE T
35	4198R		GEAR SHAFT T
36	4200R		SUB= 532004200
37	7395H		RACE T
39	139536		GEARCASE LH W/BER
40	13320400		PLUG PIPE
41	17580520		BOLT.5/16-18X1.25
45	6271H		SEAL T
46	13060200		SUB= 13020200
49	4895H		"TI, BEARING"
50	4222R		NEEDLE BRNG T
51	1529R		NEEDLE BRNG T
52	8119M		"STD, BEARING"
53	4220R		BRNG RACE
54	4209R		RED PINION T
55	4213R		RED GEAR T
56	4442R		PINION SPACER T
57	4195R		GEAR SHAFT T
58	4214R		FINAL PINION T
59	4194R		GEAR SHAFT T
60	7528R		SPACER T
61	4208R		RED PINION T
62	4207R		RED GEAR T
63	7398H		RACE T
64	4203R		LOW SPEED GEA T

Ref #	Part Number	Qty	Description
65	4204R		REVERSE GEAR T
66	2898J		KEY T
67	12000033		KLIP RING
68	4205R		INTERMED GEAR T
69	4206R		SUB= 532004206
70	1370H		"T, BEARING"
71	633A69		CLUSTER GEAR T
72	139120		SHAFT INPUT
73	4201R		LO SPEED PINION T
74	12000008		KLIP RING
75	1153R		IDLER GEAR T
77	6803J		NEEDLE BEARING TI
79	1167R		WASHER T
80	73360700		NUT
81	6270H		SEAL STD
82	136984		SHAFT REVERSE IDL
84	5384J		GEAR SHIFT LVR T
85	2978J		CAP T
86	633A85		COVER AND PIN T
87	8739H1		GUIDE BALL T
88	4924H		SPRING TI
89	19151516		WASHER
90	110542X		SEAL T
91	19181511		WASHER
92	75J		GEAR SHIFT GA T
93	6274H		GASKET T
94	76020412		COTTER PIN
95	10040500		LOCKWASHER
96	74760514		BOLT
97	633A109		GEAR SHFT LVR T
98	139535		SUB= 140332



20 HP 50" TRACTOR - - MODEL NUMBER WE2050A

WHEELS & TIRES



NOTE: All component dimensions given in U.S. inches
1 inch = 25.4 mm

Ref #	Part Number	Qty	Description
1	59192		VALVE CAP
2	65139		VALVE STEM LT
3	106230X		SUB= 122075X
4	8134H		TUBE.16X6.5/7.5-8
5	106228X473		"RIM.FRONT.8" ".YEL "
6	278H		FITTING LT
7	9040H		"FLANGE, BEARING"
8	106277X473		"RIM.REAR.12" ".YEL "
9	105588X		SUB= 122077X
10	7154J		TUBE.23X8/10-12
11	104757X		HUB CAP
13	6856M		ZERK FITTING M

