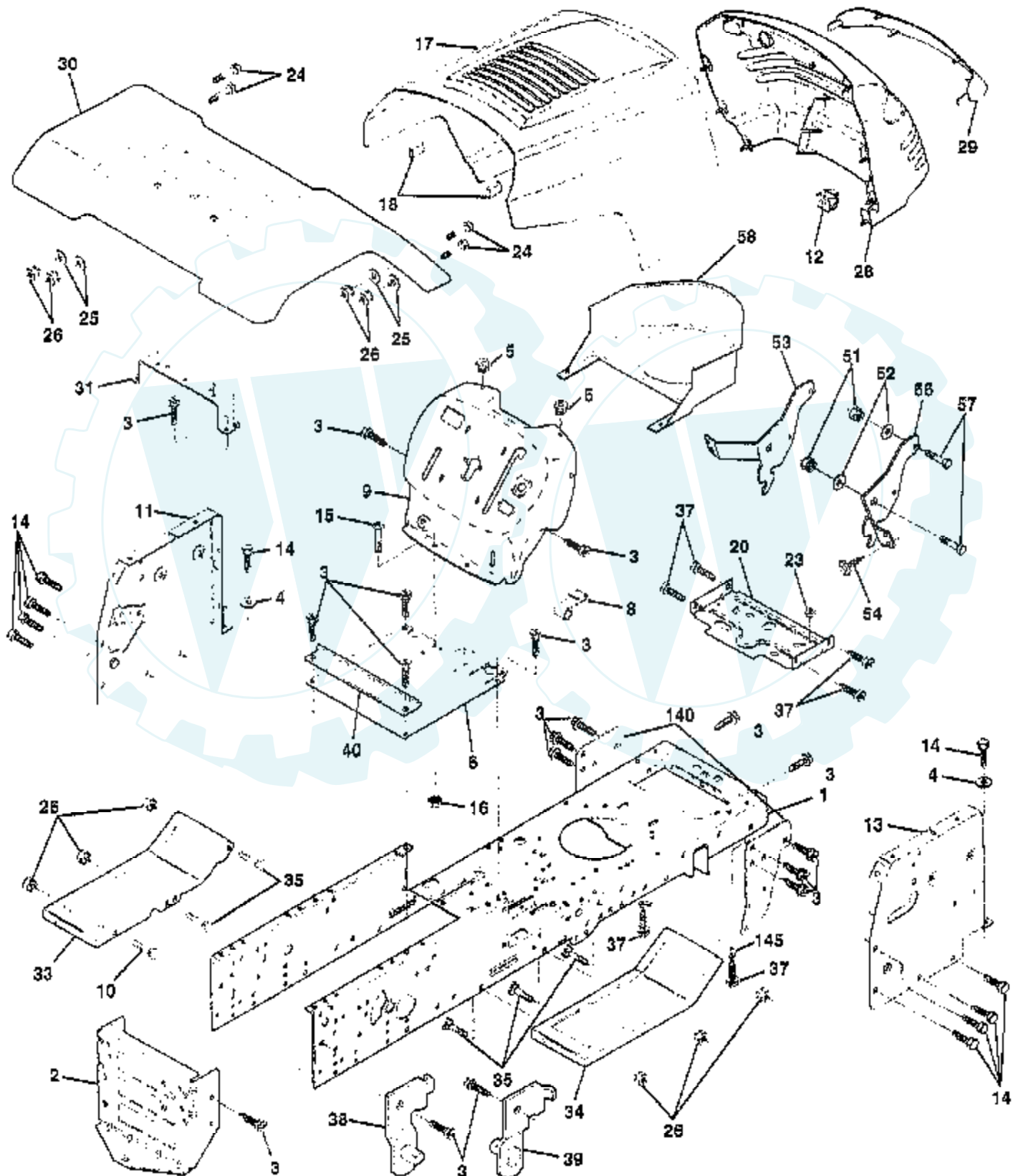


TRACTOR -- MODEL NUMBER WE185H42D

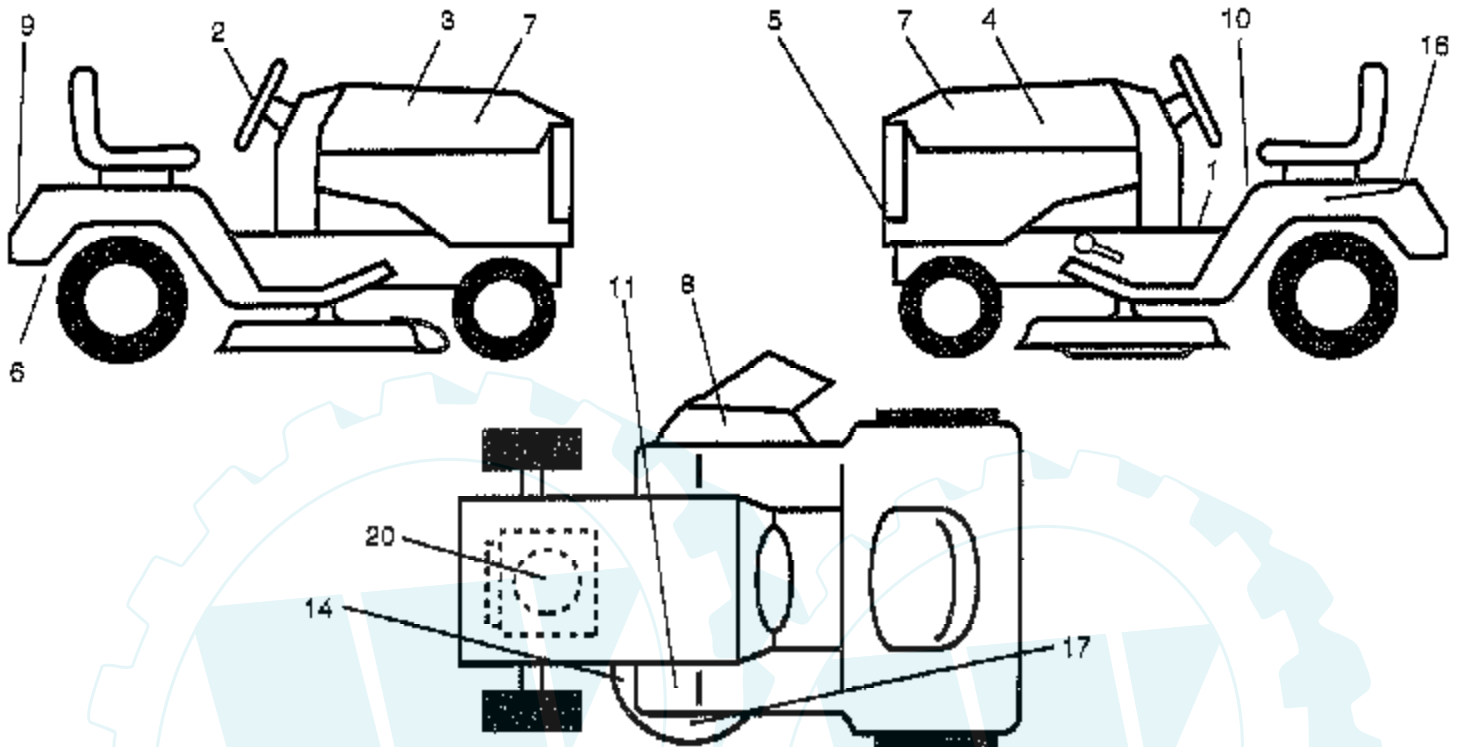
CHASSIS AND ENCLOSURES



Ref #	Part Number	Qty	Description
1	160393		CHASSIS
2	140356		SUB= 145009
3	17490612		SCREW
4	19131216		WASHER
5	155272		BUMPER-HOOD/DASH
6	155923		SADDLE
8	155138		CLIP.RETAINER
9	161937X011		DASH SILKSCREEN
10	72140608		SUB= 72110608
11	155927		"PANEL-DASH,LH"
12	145660		CLIP.TINNERMAN
13	155934X010		SUB= 169117X010
14	17490608		SCREW LT
15	74180512		SCREW
16	73510500		NUT
17	159639X550		HOOD.STEEL.ASSY
18	126938X		SUB= 532126938
20	156437		"PLATE-MTG,BATT/FU"
23	124028X		SUB= 532124028
24	74780616		BOLT
25	19131312		WASHER
26	73800600		NUT
28	157373		GRILLE-MS428
29	140273		LENS GRILLE
30	162454X550		FENDER ASM
31	139976		BRACKET SUPT FEND
33	145244X550		FOOTREST.LH.LT/GT
34	145243X550		FOOTREST.RH.LT/GT
35	72110606		BOLT
37	17490508		SCREW LT
38	139886		BRACKET ASM LH
39	139887		BRACKET ASM RH
40	139977		SPACER FENDER LT
51	73800400		NUT
52	19091416		WASHER
53	144697		BRACKET.GRILLE.LH
54	161464		SCREW.HEX.WS.HD
55	144696		BRACKET.GRILLE.RH
57	74780412		SUB= 74780414
58	140547		DUCT.AIR.B&S.18HP
140	158418		BRKT SUSPENSION
145	156524		"ROD POVOT,CHASSIS"
	5479J		PLUG BUTTON T

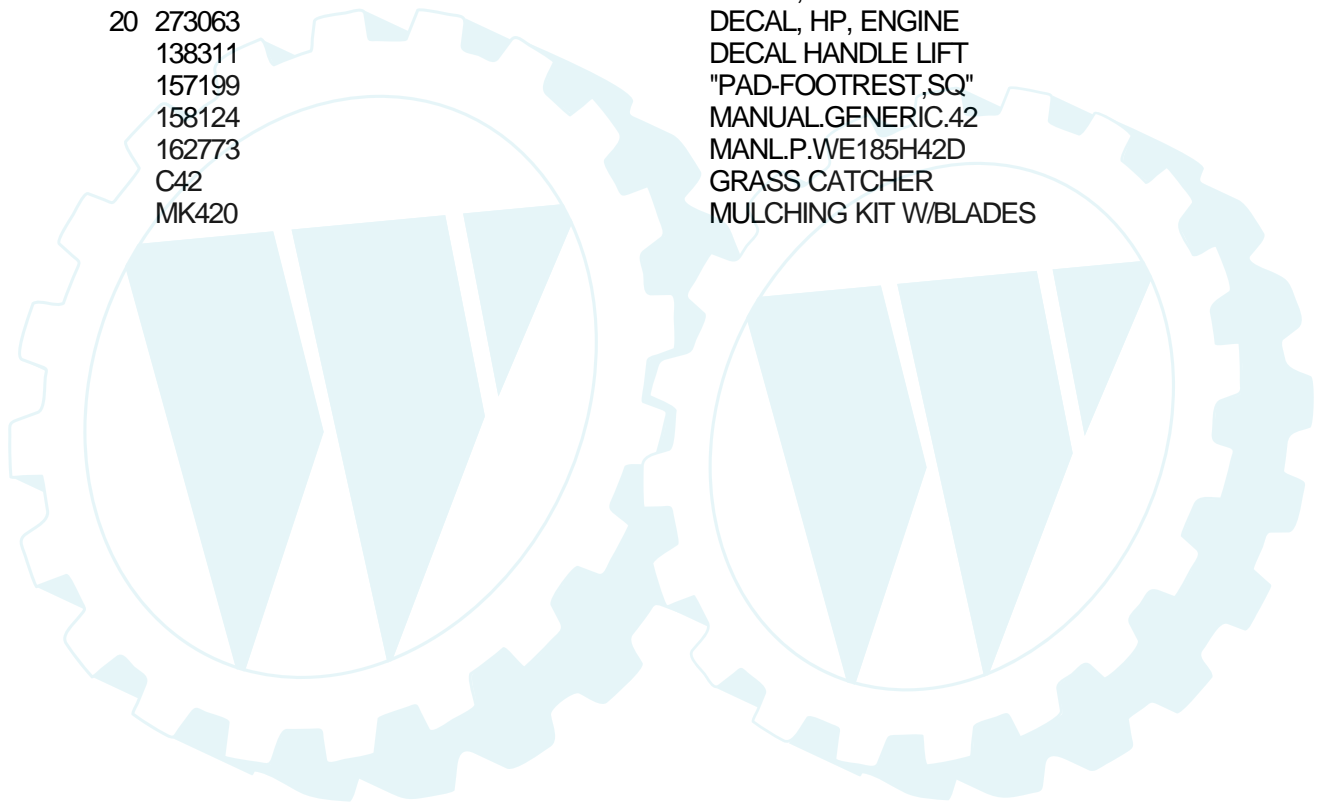
TRACTOR - - MODEL NUMBER WE185H42D

DECALS



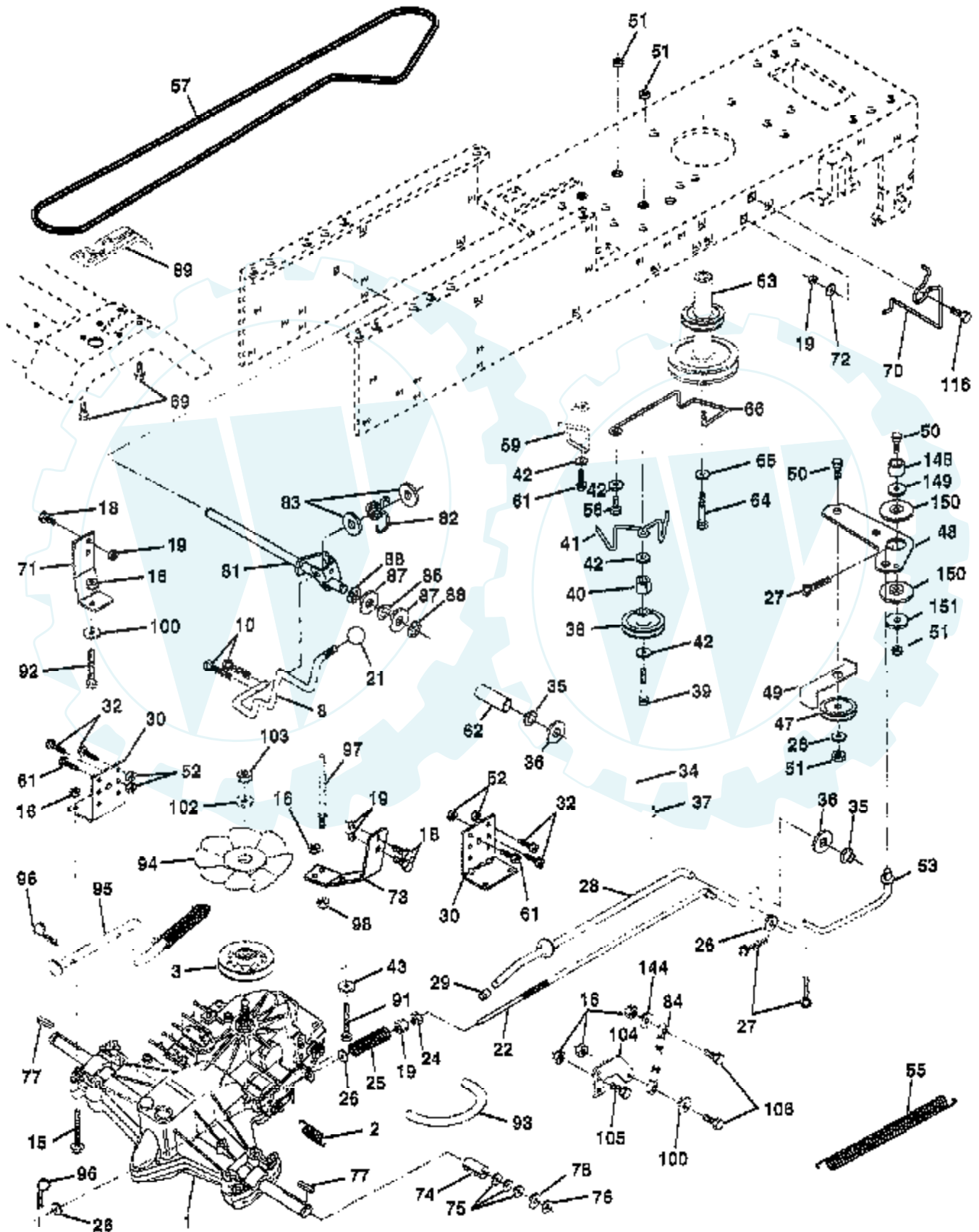
NOTE: All component dimensions given in U.S. inches
1 inch = 25.4 mm

Ref #	Part Number	Qty	Description
1	156993		DECAL SADDLE OPER
2	162398		DECAL, INS STRG WH
3	162389		DECAL.HOOD.RH.
4	162390		DECAL.HOOD.LH
5	162392		DECAL, GRILLE LENS
6	142341		DECAL DRAWBAR LH
7	163440		DECAL.PANEL.SIDE
8	137259		"DECAL, WARNING"
9	162395		DECAL.FENDER.LOGO
10	157140		DECAL.CAUT.ENG/FR
11	101892X		DECAL T
14	160396		"DECAL-SCHEM,BELT"
16	145005		DECAL.BATRY.3-3908
17	162391		DECAL, DECK GRASSEATER
20	273063		DECAL, HP, ENGINE
	138311		DECAL HANDLE LIFT
	157199		"PAD-FOOTREST,SQ"
	158124		MANUAL.GENERIC.42
	162773		MANL.P.WE185H42D
	C42		GRASS CATCHER
	MK420		MULCHING KIT W/BLADES



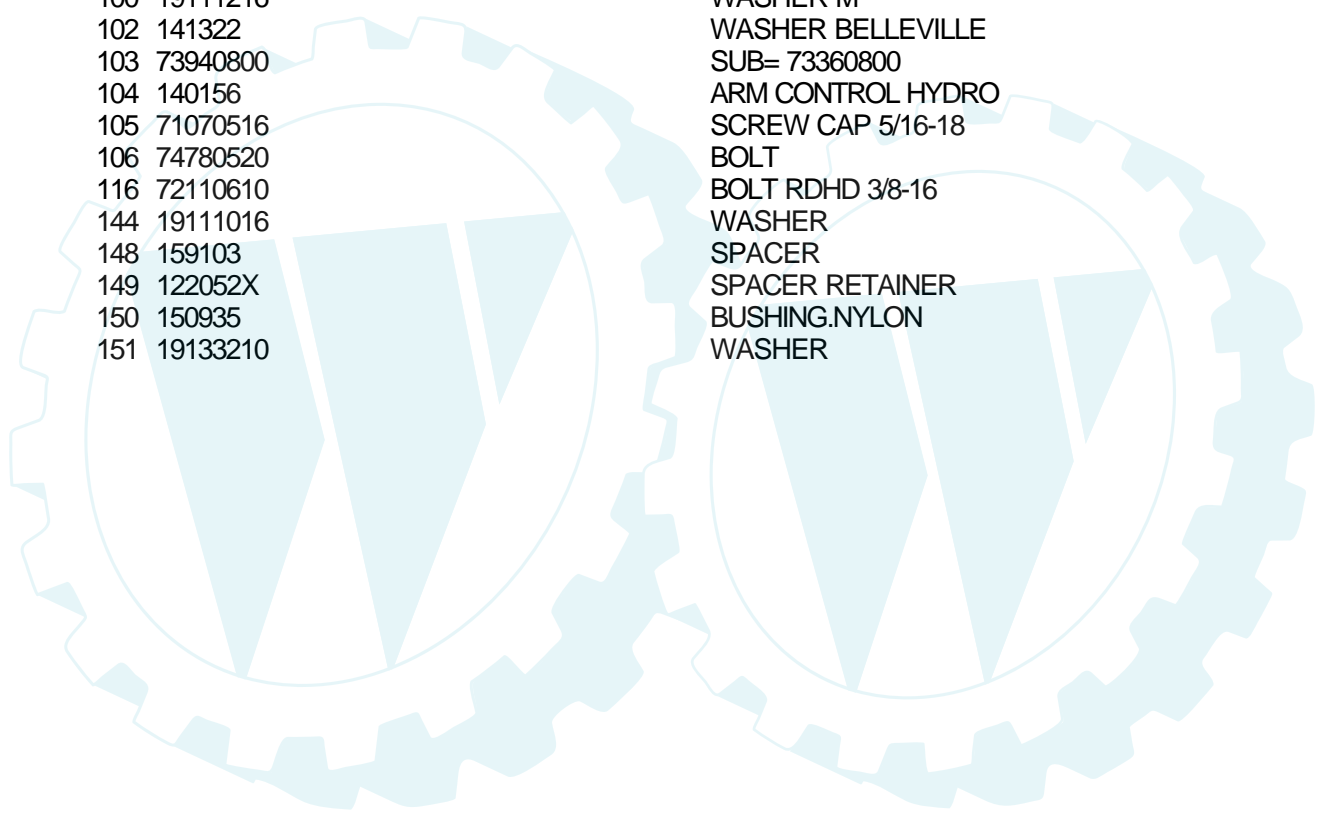
TRACTOR - - MODEL NUMBER WE185H42D

DRIVE



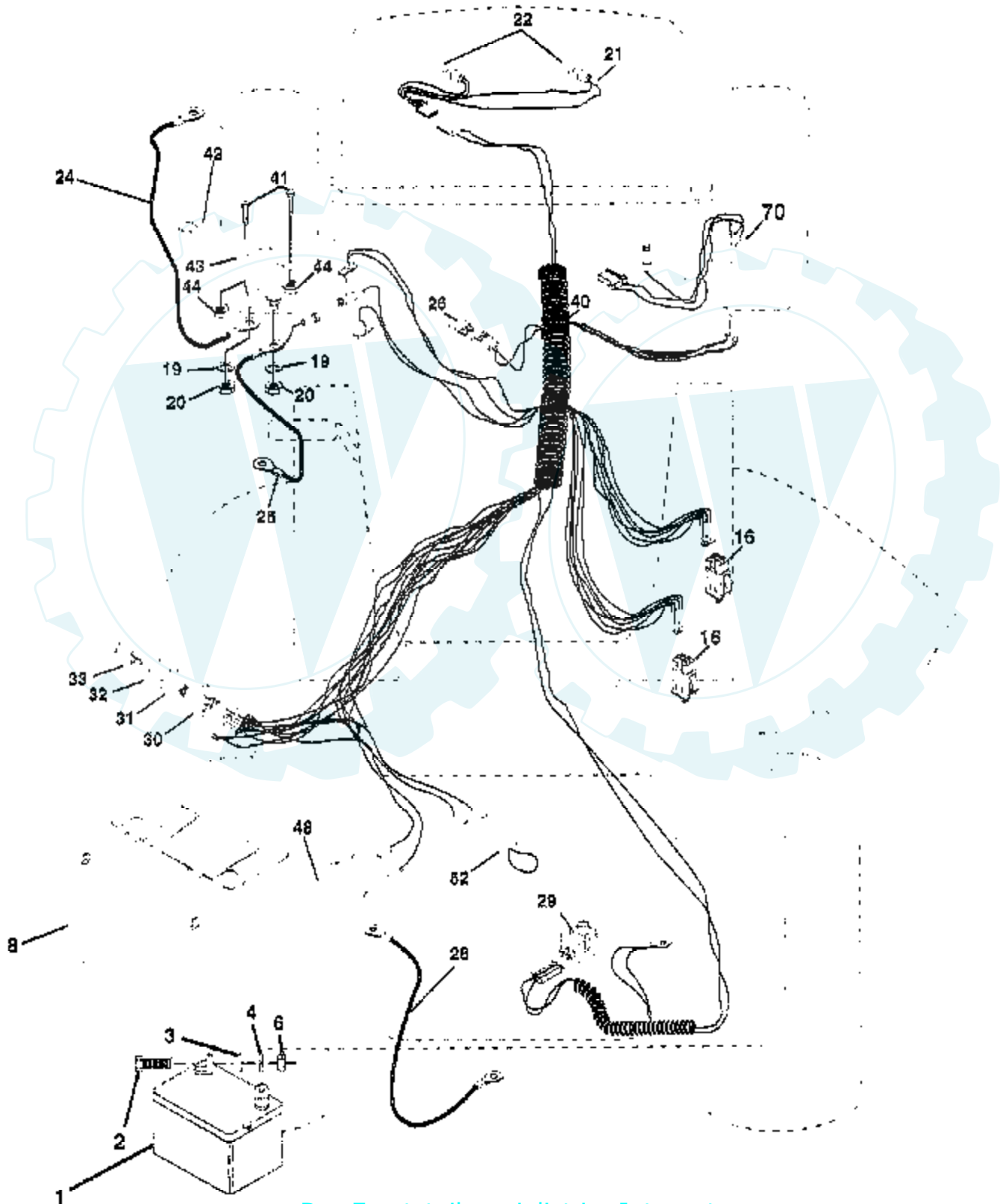
Ref #	Part Number	Qty	Description
1	150071		TRANSAXLE.3100650
2	142431		SPRING RET BRAKE
3	143995		PULLEY.TRANSAXLE
8	141003		ROD SHIFT FEND LT
10	76020416		PIN COTTER 1/8
15	74490544		BOLT.HX.FLG.5/16
16	73800500		NUT
18	74780616		BOLT
19	73800600		NUT
21	106933X		KNOB T (1/2-HOLE)
22	145627		ROD.BRAKE.HYDRO.
24	73350600		NUT
25	106888X		SPRING ROD LT
26	19131316		WASHER
27	76020412		COTTER PIN
28	145204		ROD.BRAKE.PARK.LT
29	71673		PLUNGER CAP T
30	130807		TRANSAXLE MTG BKT
32	74760512		BOLT
34	155071		SHAFT ASM-PEDAL F
35	120183X		NYLON BEARING
36	19211616		WASHER LT
37	1572H		SUB= 2882J
38	123674X		PULLEY.IDLER.FLAT
39	74760644		BOLT
40	4470J		SPACER T
41	154777		SUB= 165692
42	19131312		WASHER
47	127783		SUB= 139245
48	154407		BELLCRANK.CLUTCH
49	123205X		RETAIN BELT
50	74760624		SUB= 74930624
51	73680600		SUB= 73690600
52	73680500		SUB= 73690500
53	105710X		"LINK, CLUTCH T"
55	105709X		"SPRING, RETURN LT"
56	74760620		SUB= 74780620
57	161588		V-BELT.GROUND.HYD
59	140312		KEEPER BELT CNTSP
61	17490612		SCREW
62	8883R		PEDAL COVER T
63	161399		PULLEY.ENGINE
64	71170764		BOLT
65	10040700		LOCKWASHER
66	161488		ENGINE BELT KEEP
69	142432		SCREW HEXWSH H-L
70	134683		KEEPER BELT ENG
71	140158		STRAP TORQ LH HYD
72	19132012		WASHER
73	156347		"STRAP-TORQUE,RH"
74	121199X		SPACER SPLIT
75	121749X		WASHER
76	12000001		E-RING LT
77	123583X		SQUARE KEY
78	121748X		WASHER
81	161079		SHAFT.ASM.CROSS
82	123782X		"SPRING TORSION"
83	19171216		WASHER

Ref #	Part Number	Qty	Description
84	161901		ROD.TIE
86	157480		BUSHING
87	19212016		WASHER D
88	12000008		KLIP RING
89	151147		SUB= 164893
91	74780536		NLA
92	74780524		HEX BOLT
93	142564		"LINE FUEL HYD 4""
94	140462		"FAN 7"" HYDRO"
95	144643		SUB= 918144643
96			CHECK WITH SUPPLIER
97	140469		BOLT KEEPER RH
98	73510600		NUT
100	19111216		WASHER M
102	141322		WASHER BELLEVILLE
103	73940800		SUB= 73360800
104	140156		ARM CONTROL HYDRO
105	71070516		SCREW CAP 5/16-18
106	74780520		BOLT
116	72110610		BOLT RDHD 3/8-16
144	19111016		WASHER
148	159103		SPACER
149	122052X		SPACER RETAINER
150	150935		BUSHING.NYLON
151	19133210		WASHER



TRACTOR -- MODEL NUMBER WE185H42D

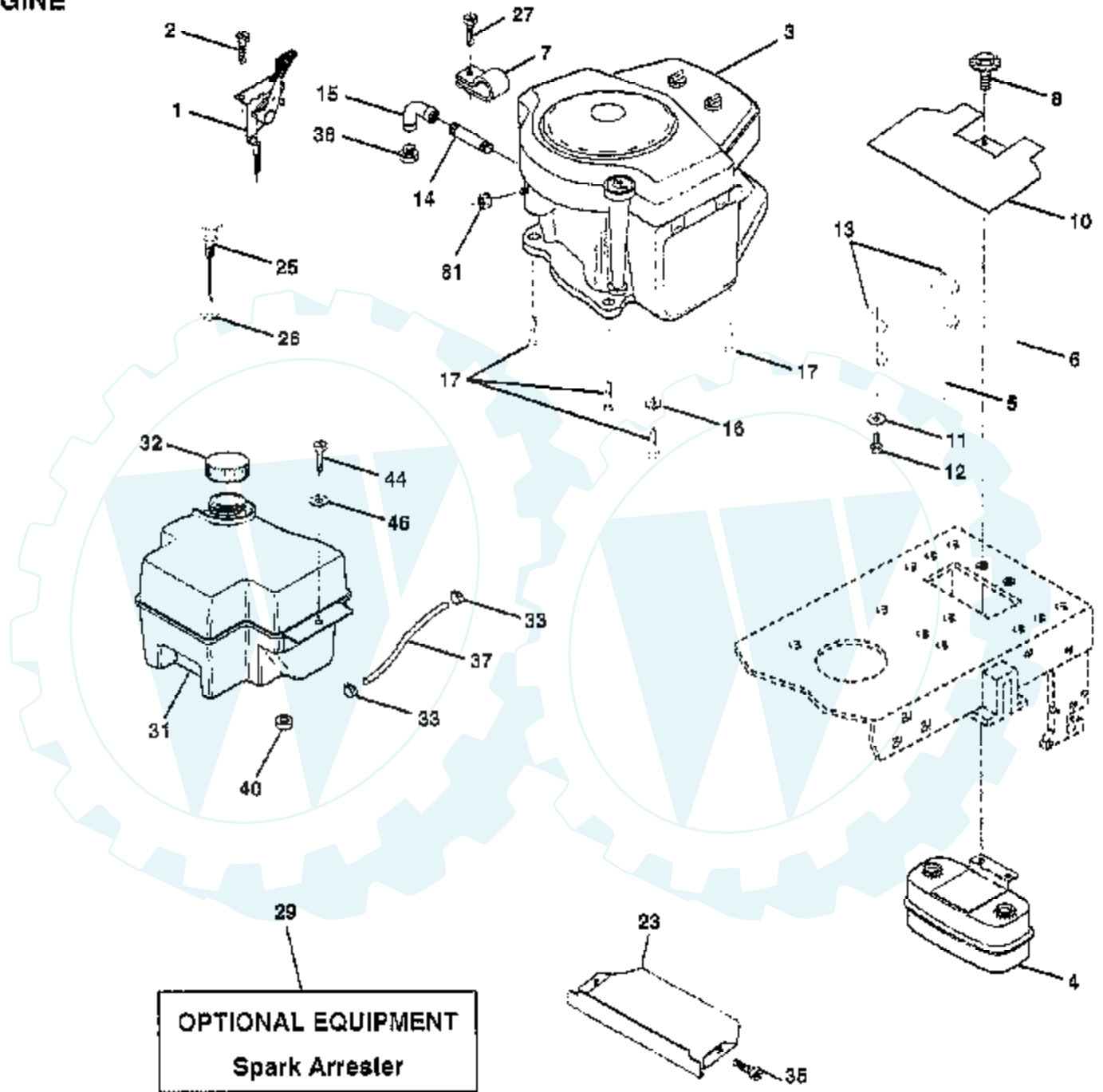
ELECTRICAL



Ref #	Part Number	Qty	Description
1	144925		SUB= 123899X
2	74760412		BOLT LT
3	19091016		WASHER
4	10040400		LOCKWASHER
6	73220400		SUB= 50675
8	156417		"CASE,BATTERY.MECH"
16	153664		SWITCH INTERLOCK
19	10090400		SUB= 10040400
20	73350400		NUT
21	136850		"HARNES,LIGHT SOC"
22	4152J		HEADLAMP BULB
24	4799J		"CABLE T, BATTERY"
25	146147		CABLE.BTRY.6GA.RD
26	108824X		FUSE HYT
28	4207J		CABLE T
29	121305X		SWITCH SEAT
30	140301		SWITCH IGN 4POS
31	124211X		NUT IGNITION
32	141226		COVER KEY SWITCH
33	122147X		KEY
40	156442		HARNES-IGNITION
41	71110408		BOLT HXHD FIN
42	131563		SUB= 154336
43	145673		SUB= 146154
44	73640400		NUT HXKEP 1/4X20
48	140844		ADAPTER AMMETER
52	141940		PROTECTION LOOP
70	140413		HARNES ENG DUAL

TRACTOR - - MODEL NUMBER WE185H42D

ENGINE

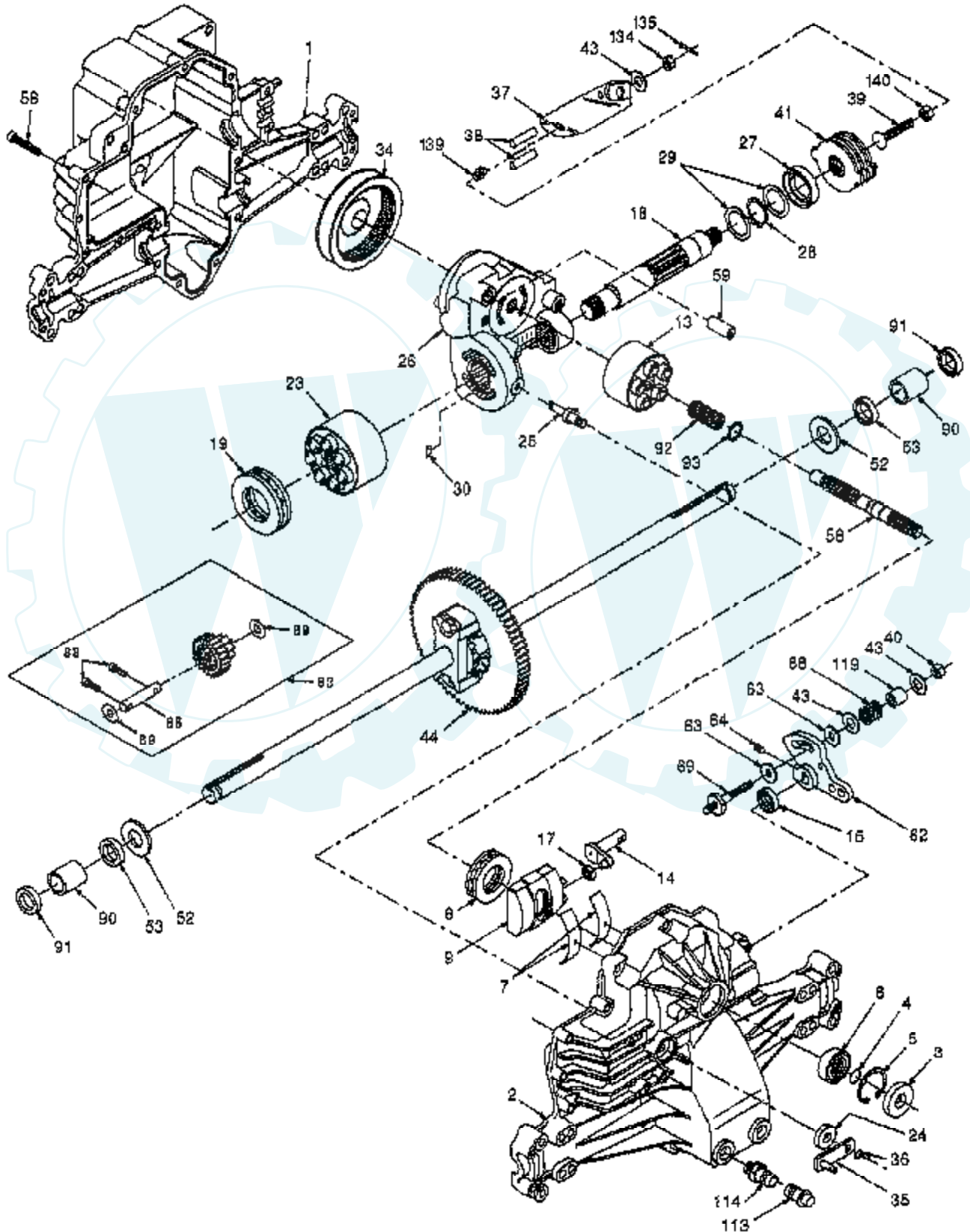


NOTE: All component dimensions given in U.S. inches
1 inch = 25.4 mm

Ref #	Part Number	Qty	Description
1	141295		CONTROL THRT 35.5
2	17720410		SCREW LT
4	149723		MUFFLER.TW.LOTONE
5	144069		EXHAUST.B&S.18.LH
6	144068		EXHAUST.B&S.18.RH
7	138129		CLAMP.TUBE.DBL.EN
8	150176		BOLT.5/16-18.UNC
10	145552		SHIELD.HEAT.
11	10040400		LOCKWASHER
12	74780412		SUB= 74780414
13	272250		GASKET MUFFLER
14	13280336		PIPE NIPPLE LT
15	13200300		ELBOW
16	11050600		LOCKWASHER
17	17490624		SCREW LT
23	159880		SHIELD.BRN/DBR.GD
25	145996		CONTROL.CHOKE.37
26	73920600		"NUT,KEPS 3/8-24IM"
27	152927		"SCREW-TT,10-32 FL"
29	137180		SUB= 532137180
31	161911		TANK.FUEL.FRONT.
32	140527		CAP ASM FUEL
33	123487X		HOSE CLAMP
35	17490512		SCREW
37	137040		LINE FUEL
38			CHECK WITH SUPPLIER
40	124028X		SUB= 532124028
44	17490412		SCREW HEX CRT
46	19091416		WASHER
81	128861		NUT

TRACTOR - - MODEL NUMBER WE185H42D

HYDRO GEAR TRANSAXLE - MODEL NUMBER 310-0650



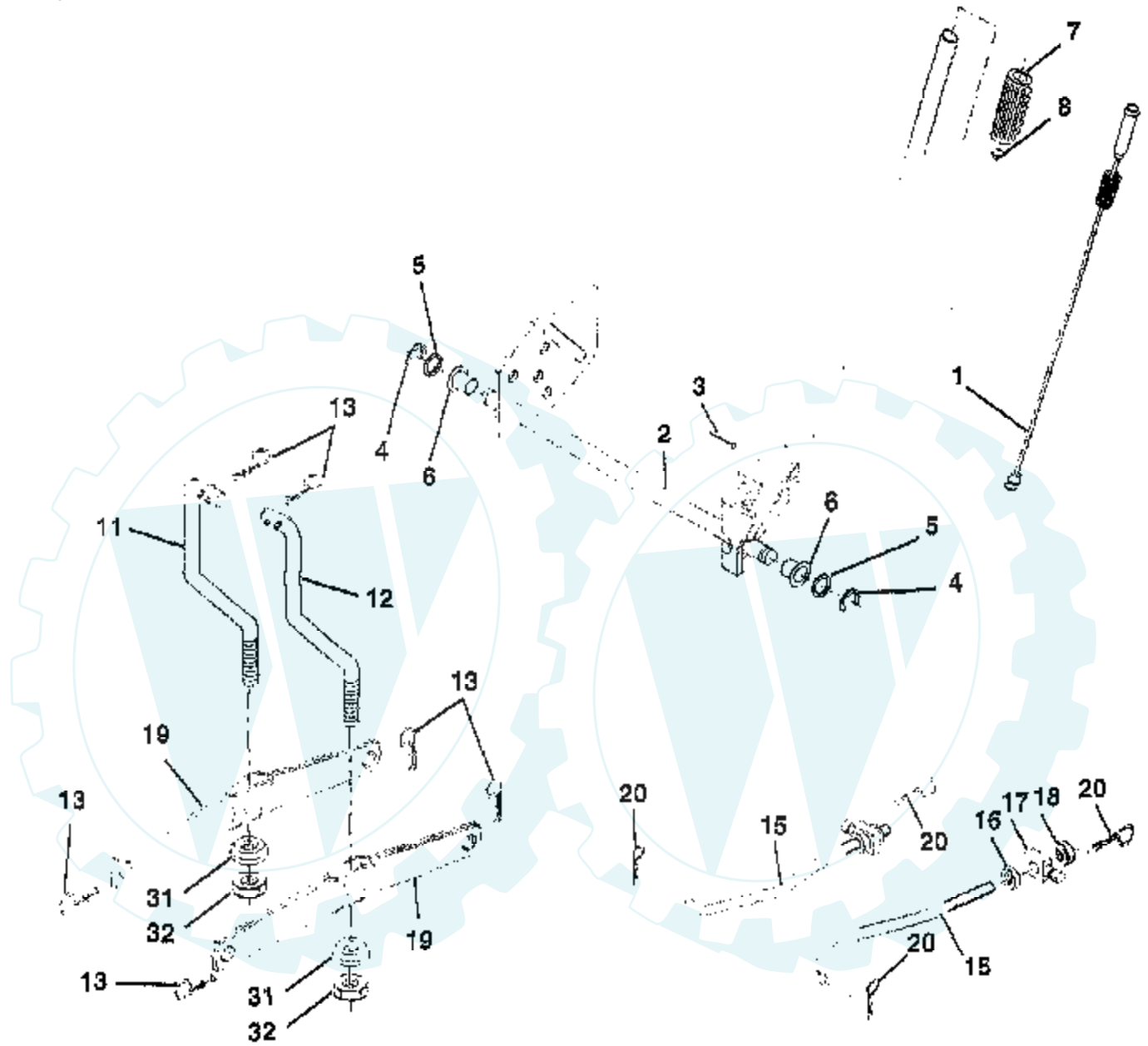
Ref #	Part Number	Qty	Description
1	142930		HOUSING.L.50074RM
2	142931		HOUSING.UP.70125
3	142932		SEAL.9008000-0128
4	142928		RING.RET.2003016.
5	142933		RING.RET.2003052.
6	142934		BEARING.(50552)42X68X16
7	142935		CRADLE- 2003023.
8	150771		BEARING.THU.50551
9	142937		SWASHPLT.2003087.
13	142938		BLOCK.CLYN.70079.
14	142939		ARM.TRUN.2003005.
15	142940		SEAL.9008000-0126
17	142941		GUIDE.2000015.
18	150772		SHAFT.MOTOR.50449
19	150773		BEARING.THU.50552
23	142944		BLOCK.CYLIN.70082
24	142945		SEAL.LIP.45074
25	142946		ACTUATOR.2003555
26	150774		KIT.CEN.SEC.70250
27	142948		SEAL.LIP.45075
28	142949		RING RETAIN 50007
29	142950		WASHER.44872
30			CHECK WITH SUPPLIER
34	142951		ELEMENT.OIL.44964
35	142952		ARM.BYPASS.50270
36	142953		RING.RETAIN.44870
37	142954		ARM.ACTUAT.23710
38	142955		PIN.ACTUAT.44891
39	150777		BOLT.50316
40	150778		NUT.LOCK.HX.50317
41	142958		KIT.BRAKE.70135
43	142884		WASHER HYD 44130
44	150829		DIFFRENTIAL.70226
52	142991		WASHER.HYD.44875
53	142961		SEAL.HYDRO.45076
56	142963		SHAFT.INPUT.50005
58	142964		BOLT.1/4-20.44876
59	142965		PIN.HYDRO.50002
62	142966		ARM.CONTROL.50254
63	142967		PUCK.DAMPER.50281
64	142920		SCREW.SET.50018.
68	142969		SPRING.HYD.50277
69	144610		STUD.5/16-24.DANA
83	142971		JACKSHAFT/PINION GEAR.70132
85	150806		PIN.SHAFT 50559
88	142973		SCREW.CAP.50154.
89	142974		WASHER.HYD.50132
90	142975		BEARING.SLV.50118
91	142976		SEAL.WIPER.50941
92	142977		SPRING.2003014.
93	142978		WASHER.2003017
113	142917		CAP.VENT.70109
114	142918		O-RING.ASM.70110
119	142980		SPACER.HYD.50278
134	144607		NUT.CAS.HYD.44142
135	144608		PIN.COT.HYD.44101
139	150775		SPRING.COMP.50431
140	150776		NUT.HEX.50269

Ref #	Part Number	Qty	Description
1	144393		DECK.WELD.42.
2	72140506		BOLT
3	138017		BRKT ASM SWAY BAR
4	138440		BRKT DECK SW BAR
5	4939M		SUB= 85902
6	130832		SUB= 130833
8	850857		BLADE BOLT
9	10030600		SUB= 10040600
10	140296		WASHER.HARD.BLADE
11	138498		"BLADE.42"" HIPERF"
12	129895		BEARING.BALL
13	137645		SUB= 137646
14	128774		HSG ASM MANDREL
15	110485X		BEARING
16	140329		STRIPPER RND MWR
17	72110610		BOLT RDHD 3/8-16
18	72140505		BOLT
19	132827		BOLT SHD 5/16-18
20	159770		BAFFLE VORTEX 42
21	73680500		SUB= 73690500
22	134753		STIFFENER BRKT
23	131267		DEFLECTOR BRKT
24	105304X		CAP-SLEEVE LT
25	123713X		SPRING TORSION
26	110452X		NUT PUSH M
27	130968		DEFLECTOR.SHIELD
28	19111016		WASHER
29	131491		HINGE ROD
30	157722		"SCREW-THD ROLL,WA"
31	129963		WASHER
32	153535		PULLEY.MANDREL.42
33	137266		SUB= 139729
34	72110614		BOLT
35	133835		XMAS TREE FASTNER
36	131494		FLAT IDLER PULLEY
37	19131316		WASHER
40	73680600		SUB= 73690600
41	133551		PIVOT ROD
43	140083		ROD CLUTCH W/NIBS
44	140088		GUARD MAND LH BLK
45			CHECK WITH SUPPLIER
46	137729		SCREW.1/4-20X5/8
48	133944		HARD SMALL WASHER
49	155066		ROLLER ASM-CAM
50	131340		SHOULDER BOLT
51	69180		LOCKNUT
52	139888		BOLT.SHLD.5/16-18
53	131845X900		SUB= 131845
54	133943		HARDENED WASHER
55	155046		ARM-IDLER
56	122052X		SPACER RETAINER
58	140086		SPRING TORSN BRAK
59	141043		GUARD IDLER TUV
67	162132		KNOB.RD.7/16-14
68	144200		BELT.V.T-PATH
71	142427		ROD CLUTCH 38/42
72	131870		RETURN SPRING
73	127847		CLUTCH ARM SECOND

Ref #	Part Number	Qty	Description
74	121748X		WASHER
75	12000029		RING
76	128903		SHOULDER BOLT
77	127845		SPRING KEEPER
78	160570		LEVER.ASM.CLUTCH
79	127498		BUSHING
80	153701		SPRING.CLUTCH.MWR
81	73350600		NUT
82	142028		TRUNION ADJ
83	120958X		WASHER
84	156084		"KEEPER-BELT,FIXED"
85	72140618		BOLT RDHD 3/8-16
92	73800600		NUT
111	155197		BRACKET.GWHL.LH.
112	155198		BRACKET.GWHL.RH.
113	17490512		SCREW
114	73510500		NUT
115	72110504		SUB= 872110504
116	4898H		BOLT M
117	105455X		WHEEL.GAGE.BLK.PL
118	73930600		LOCKNUT
119	19121414		WASHER
120	19171512		WASHER
121	143723		BRACKET.EXTRD.GWL
128	153390		WASHER.FELT.
132	19132203		WASHER GT
141	6266H		WASHER .T
	130794		MANDREL ASM
	144783		SUB= 164962

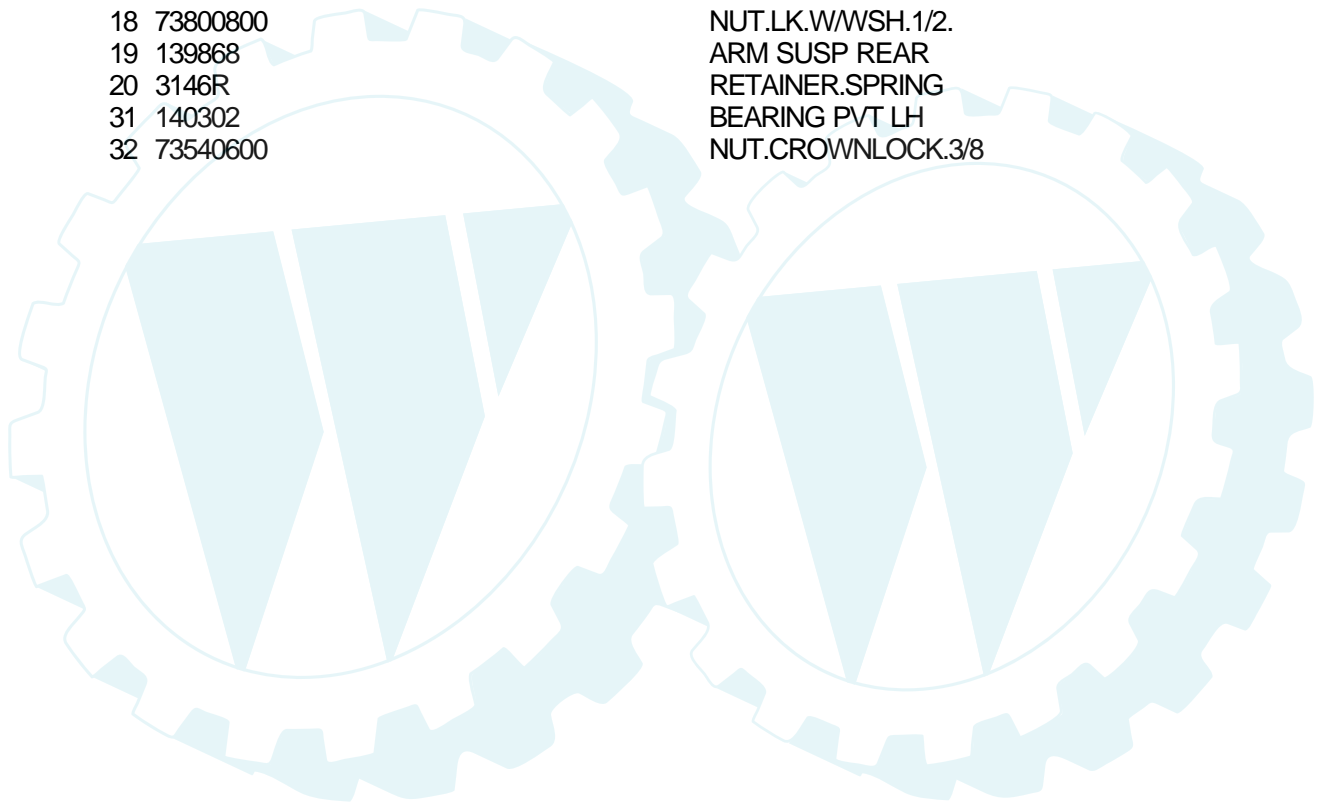
TRACTOR - - MODEL NUMBER WE185H42D

MOWER LIFT



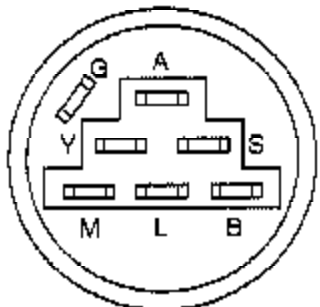
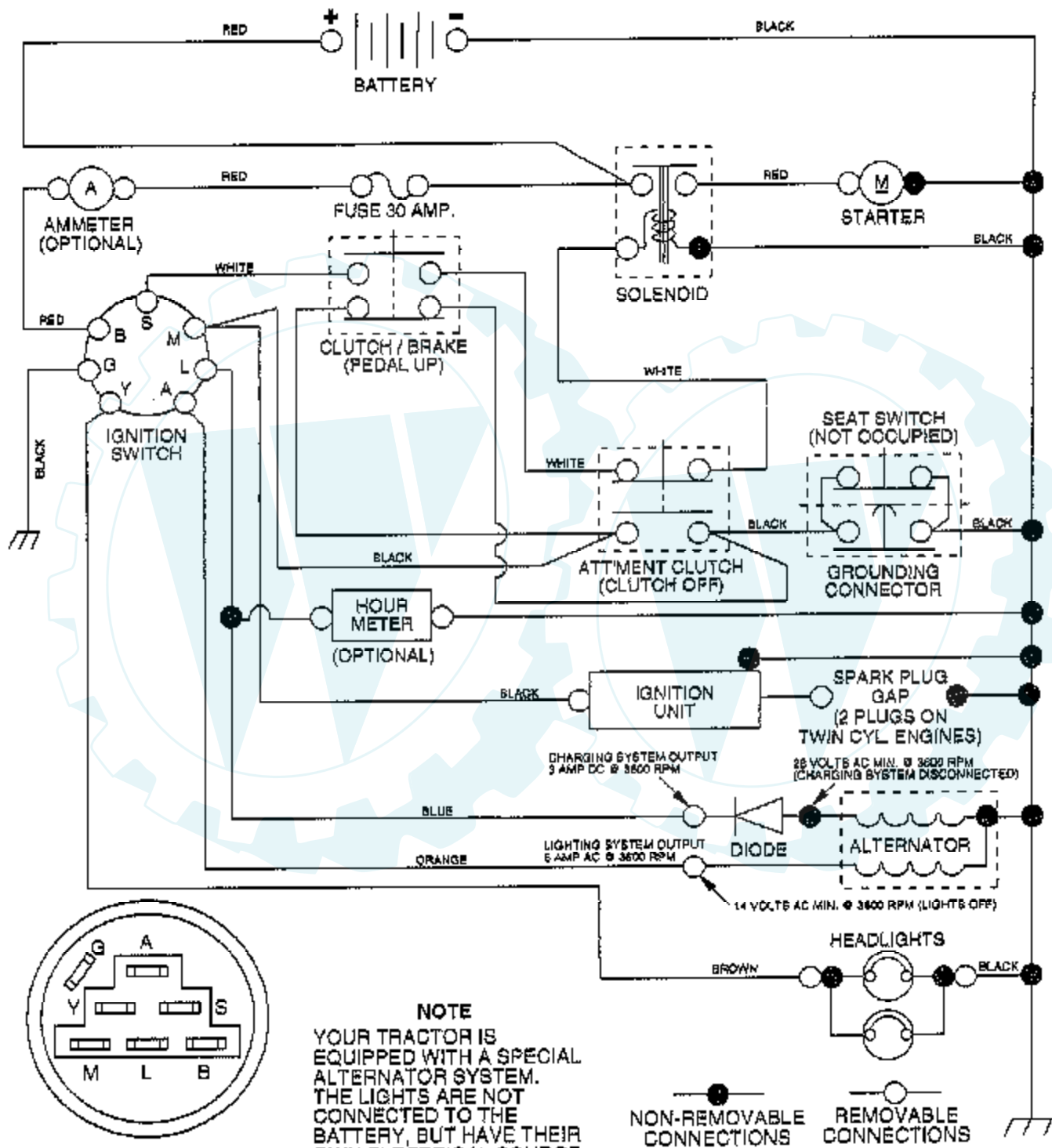
NOTE: All component dimensions given in U.S. inches
1 Inch = 25.4 mm

Ref #	Part Number	Qty	Description
1	159460		WIRE ASM W.SPRING
2	159471		"SHAFT ASM LIFT,RH"
3	105767X		PIN-GROOVE LT
4	12000002		SUB= 2225J
5	19211621		WASHER
6	120183X		NYLON BEARING
7	109413X		GRIP
8	124526X		SUB= 125925X
11	139865		SUB= 918139865
12	139866		SUB= 151140
13	4939M		SUB= 85902
15	127218		LINK.FRONT
16	73350800		NUT
17	130171		TRUNION
18	73800800		NUT.LK.W/WSH.1/2.
19	139868		ARM SUSP REAR
20	3146R		RETAINER.SPRING
31	140302		BEARING PVT LH
32	73540600		NUT.CROWNLOCK.3/8



TRACTOR - - MODEL NUMBER WE185H42D

SCHEMATIC



IGNITION SWITCH

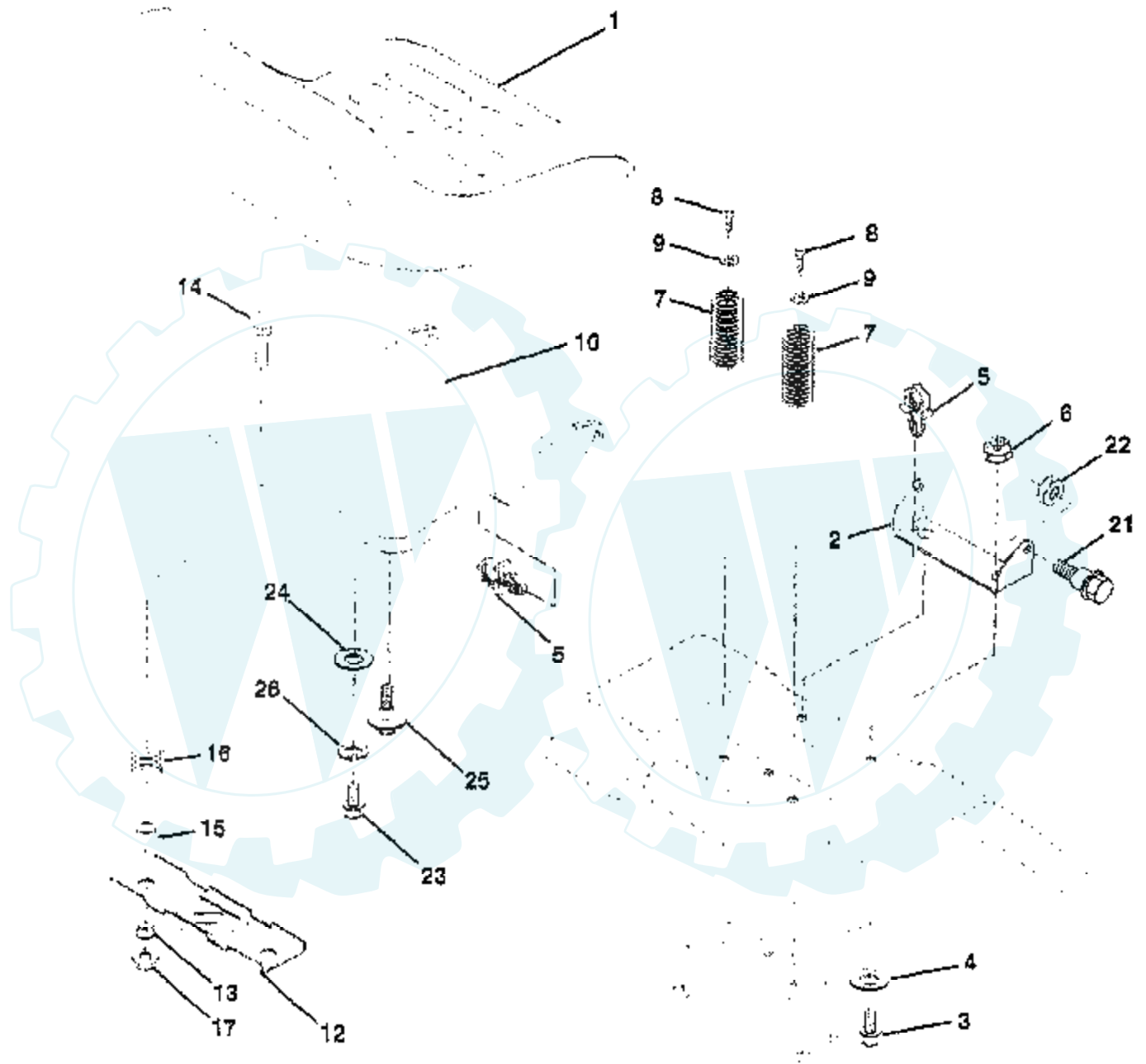
POSITION	CIRCUIT	"MAKE"
OFF	G + M + L	NONE
RUNLIGHT	B + L	A + Y
RUN	B + L	NONE
START	B + L + S	NONE

NOTE
YOUR TRACTOR IS EQUIPPED WITH A SPECIAL ALTERNATOR SYSTEM. THE LIGHTS ARE NOT CONNECTED TO THE BATTERY, BUT HAVE THEIR OWN ELECTRICAL SOURCE. BECAUSE OF THIS, THE BRIGHTNESS OF THE LIGHTS WILL CHANGE WITH ENGINE SPEED. AT IDLE THE LIGHTS WILL DIM. AS THE ENGINE IS SPEEDED UP, THE LIGHTS WILL BECOME THEIR BRIGHTEST.

WIRING INSULATED CLIPS
NOTE: IF WIRING INSULATED CLIPS WERE REMOVED FOR SERVICING OF UNIT, THEY SHOULD BE REPLACED TO PROPERLY SECURE YOUR WIRING.

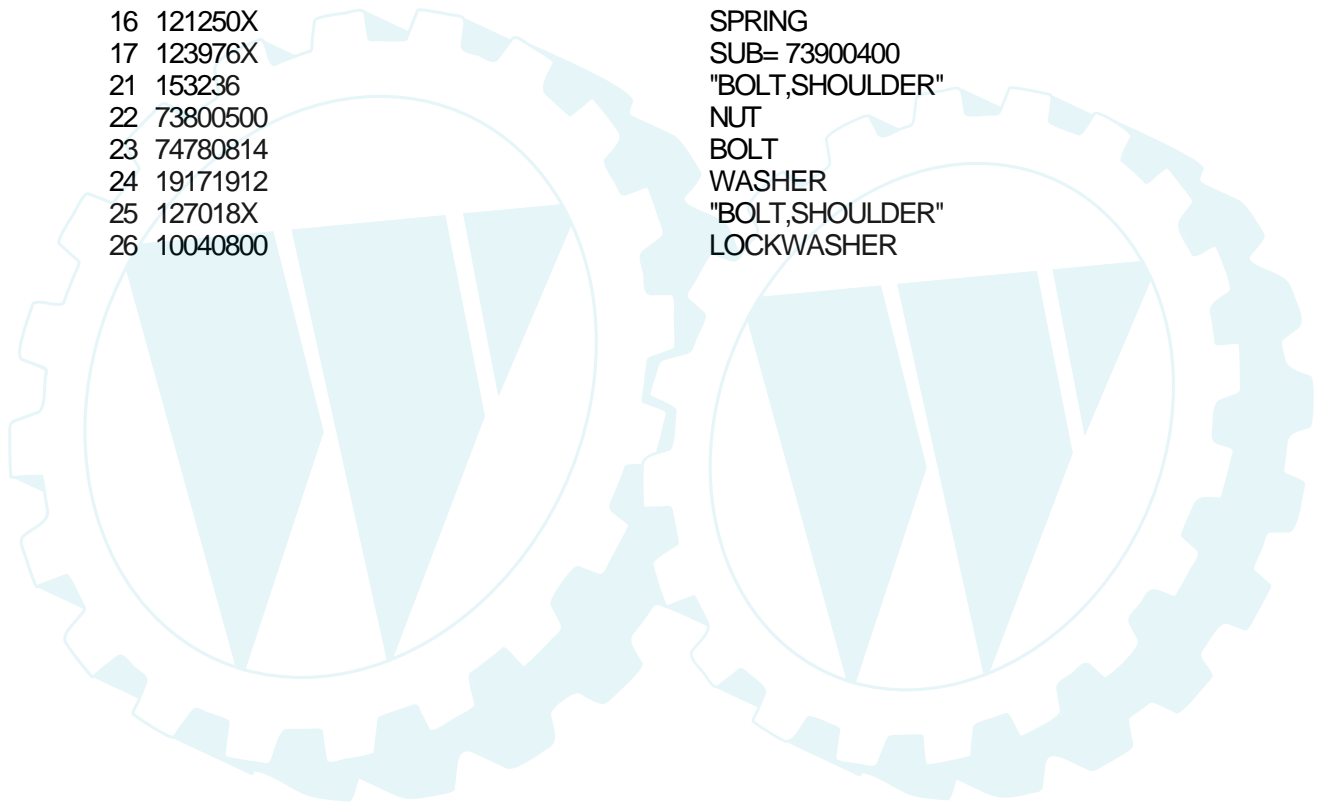
TRACTOR - - MODEL NUMBER WE185H42D

SEAT ASSEMBLY



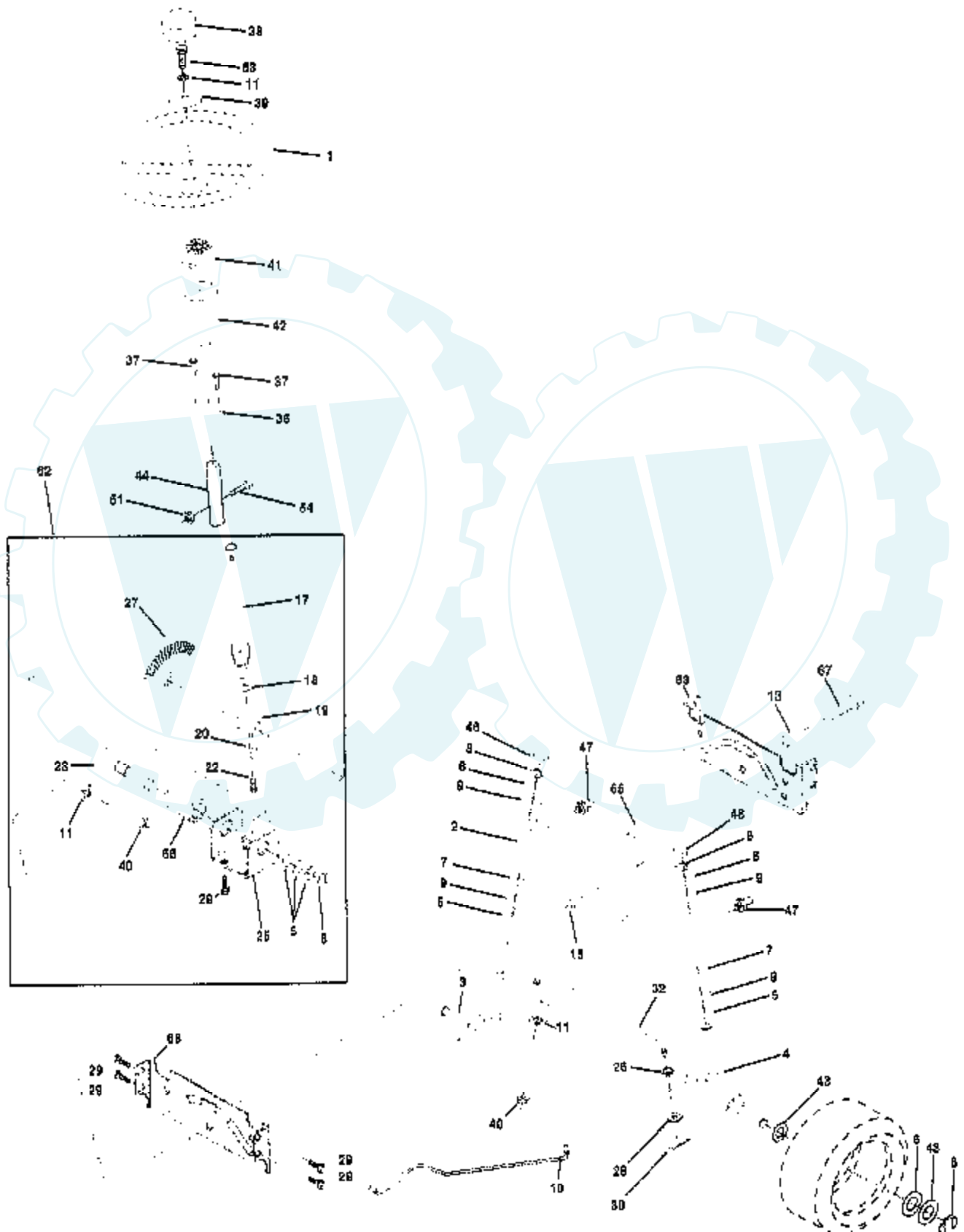
NOTE: All component dimensions given in U.S. Inches
1 inch = 25.4 mm

Ref #	Part Number	Qty	Description
1	127428		SUB= 140119
2	140551		BRACKET PVT SEAT
3	74760616		BOLT
4	19131610		WASHER PM
5	145006		CLIP.PUSH-IN.HING
6	73800600		NUT
7	124181X		SPRING COMPRESSIO
8	17490616		SCREW GTV
9	19131614		WASHER
10	155925		PAN-SEAT
12	121246X		BRKT SWITCH
13	121248X		BUSHING
14	72050412		BOLT-RD HD SQ NK
15	134300		SPLIT SPACER
16	121250X		SPRING
17	123976X		SUB= 73900400
21	153236		"BOLT,SHOULDER"
22	73800500		NUT
23	74780814		BOLT
24	19171912		WASHER
25	127018X		"BOLT,SHOULDER"
26	10040800		LOCKWASHER



TRACTOR -- MODEL NUMBER WE185H42D

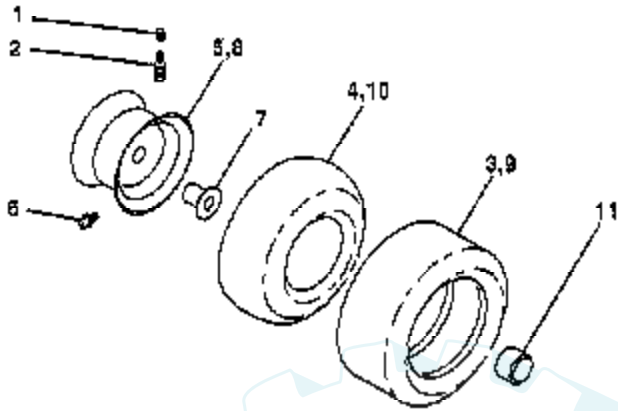
STEERING ASSEMBLY



Ref #	Part Number	Qty	Description
1	140044		WHEEL STR AYP BLK
2	154427		AXLE ASM
3	156483		SPINDLE.ASM.LH
4	157473		"SPINDLE ASM,RH"
5	6266H		WASHER .T
6	121748X		WASHER
7	19272016		WASHER
8	12000029		RING
9	3366R		COL. SRTG. BEAR.
10	156438		DRAGLINK-STAMPED
11	10040600		LOCKWASHER
13	154779		BEARING AXLE
15	73901000		"NUT-LOC,FLANGE LT"
17	156546		SHAFT ASM STEERIN
18	57079		THRUST WASHER
19	124035X		SUPPORT.SHAFT
20	126684X		SUB= 532126684
22	71200410		SCREW HEX SOC1/4-
23	127501		SUB= 918127501
25	154406		BRKT-STEERING
26	126847X		BUSHING.DRAGLINK
27	136874		GEAR SECTOR
28	19131416		WASHER
29	17490612		SCREW
30	76020412		COTTER PIN
32	130465		TIE ROD
36	155099		BUSHING.STEERING
37	152927		"SCREW-TT,10-32 FL"
38	140045		CAP STEER AYP
39	19133808		WASHER T
40	7810H		GRIPCO NUT
41	100711L		ADAPTER LT
42	145054		BOOT.STEER.PL
43	121749X		WASHER
44	153720		EXT SHAFT STEERIN
46	121232X		CAP
47	6855M		ZERK M
51	73800500		NUT
54	74780520		BOLT
62	156594		KIT STEERING ASM
63	74780616		BOLT
65	154780		SPACER AXLE
66	154404		"BEARING-ARM,PITMA"
67	74781044		BOLT
68	154429		BRACE AXLE

TRACTOR - - MODEL NUMBER WE185H42D

WHEELS & TIRES



NOTE: All component dimensions given in U.S. inches
1 inch = 25.4 mm

Ref #	Part Number	Qty	Description
1	59192		VALVE CAP
2	65139		VALVE STEM LT
3	106222X		SUB= 122073X
4	59904		TUBE.5.3/4.5/6
5	106732X427		"RIM ASM 6"" FRT"
6	278H		FITTING LT
7	9040H		"FLANGE, BEARING"
8	106108X427		"RIM AS 8"" REAR"
9	122082X		SUB= 918122082X
10	7152J		TUBE.18X9.5-8
11	104757X		HUB CAP
	144334		SEALANT.TIRE 10 OZ. TUBE

