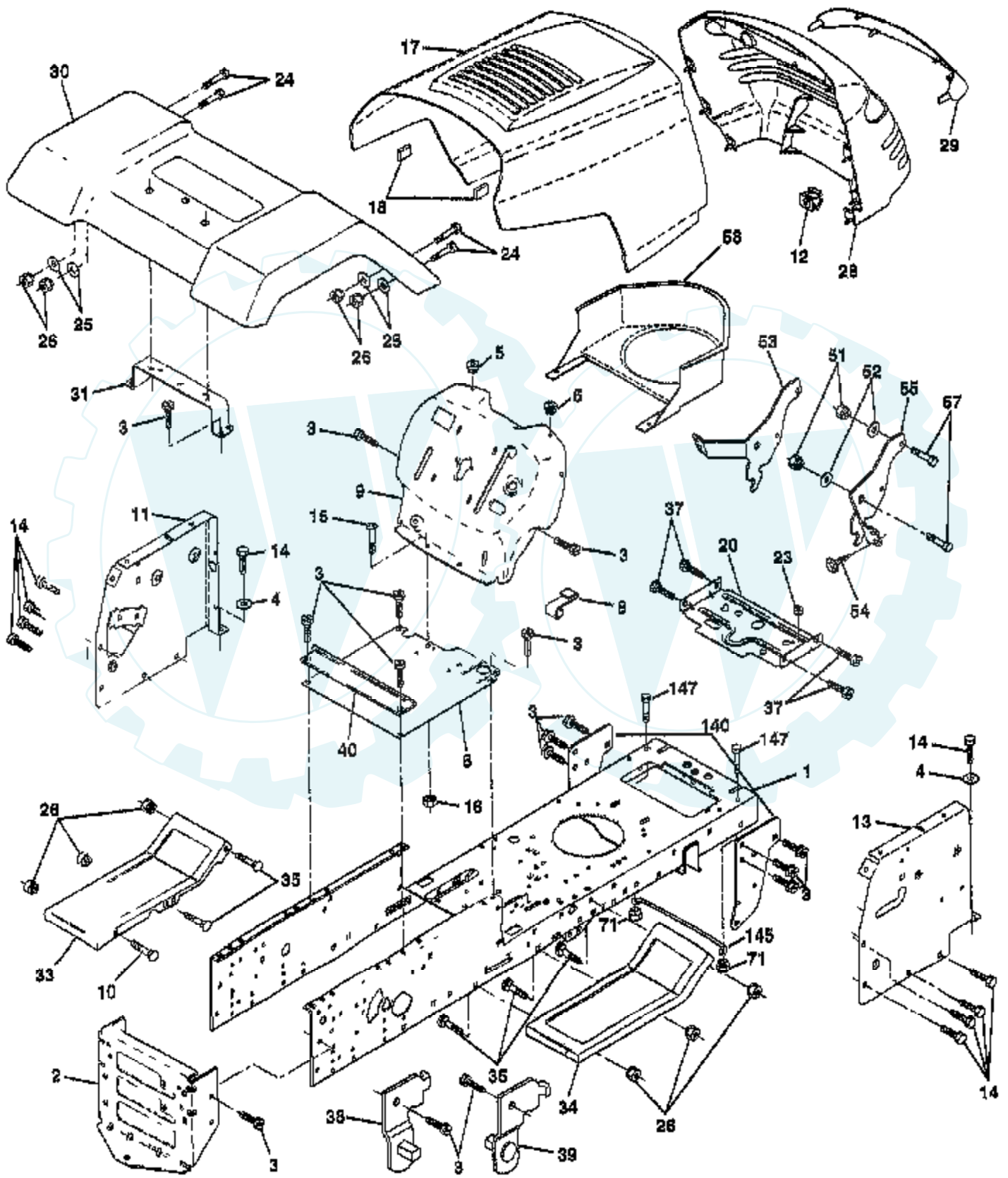


TRACTOR -- MODEL NUMBER WE185H42C

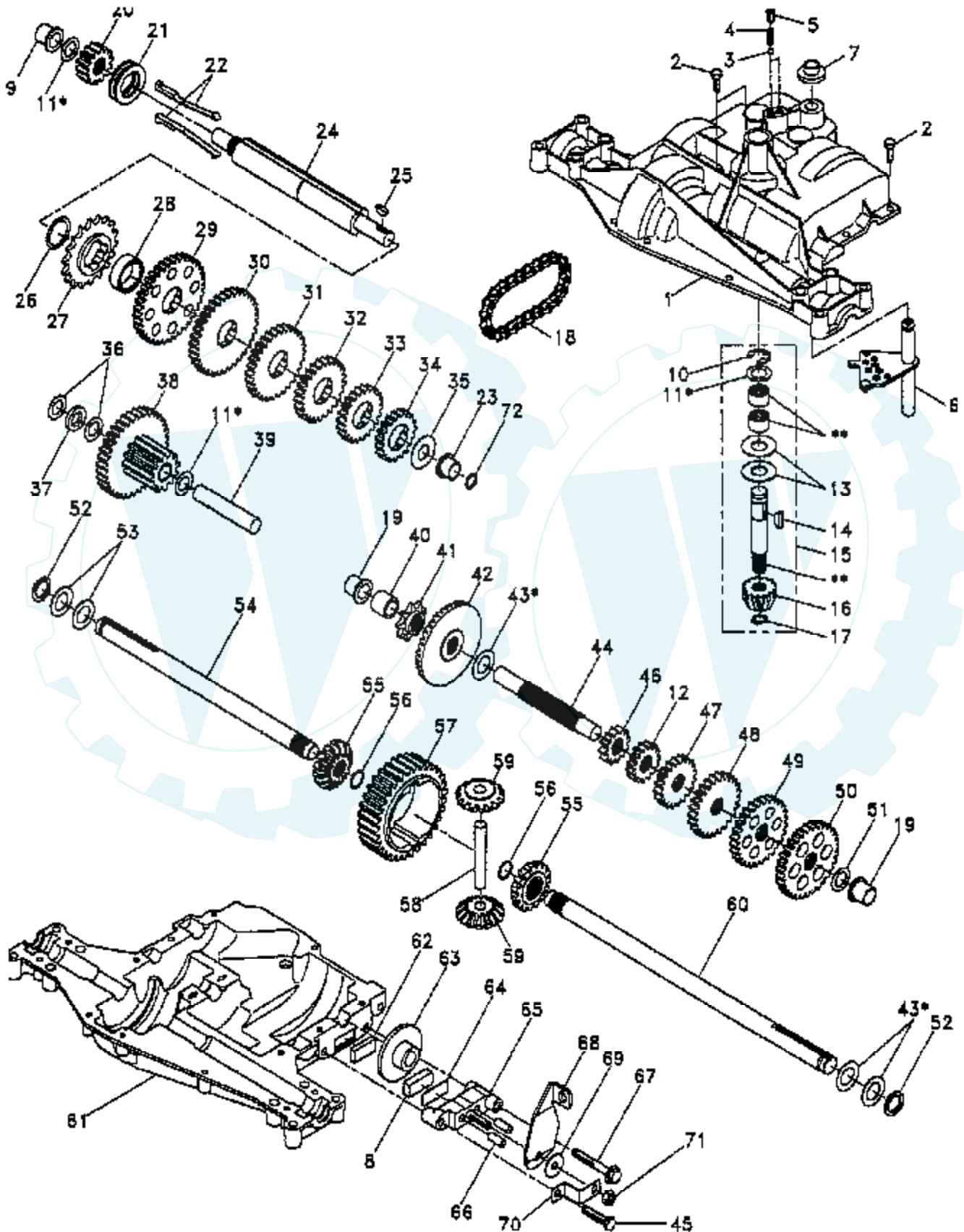
CHASSIS AND ENCLOSURES



| Ref # | Part Number | Qty | Description |
|-------|-------------|-----|---------------------|
| 1 | 159530 | | CHASSIS ASM |
| 2 | 140356 | | SUB= 145009 |
| 3 | 17490612 | | SCREW |
| 4 | 19131216 | | WASHER |
| 5 | 155272 | | BUMPER-HOOD/DASH |
| 6 | 155923 | | SADDLE |
| 8 | 155138 | | CLIP.RETAINER |
| 9 | 147627X011 | | DASH.SILKSCREENED |
| 10 | 72140608 | | SUB= 72110608 |
| 11 | 155927 | | "PANEL-DASH,LH" |
| 12 | 145660 | | CLIP.TINNERMAN |
| 13 | 155934X010 | | SUB= 169117X010 |
| 14 | 17490608 | | SCREW LT |
| 15 | 74180512 | | SCREW |
| 16 | 73510500 | | NUT |
| 17 | 159639X550 | | HOOD.STEEL.ASSY |
| 18 | 126938X | | SUB= 532126938 |
| 20 | 156437 | | "PLATE-MTG,BATT/FU" |
| 23 | 124028X | | SUB= 532124028 |
| 24 | 74780616 | | BOLT |
| 25 | 19131312 | | WASHER |
| 26 | 73800600 | | NUT |
| 28 | 157373 | | GRILLE-MS428 |
| 29 | 140273 | | LENS GRILLE |
| 30 | 147310X550 | | FENDER |
| 31 | 139976 | | BRACKET SUPT FEND |
| 33 | 145244X550 | | FOOTREST.LH.LT/GT |
| 34 | 145243X550 | | FOOTREST.RH.LT/GT |
| 35 | 72110606 | | BOLT |
| 37 | 17490508 | | SCREW LT |
| 38 | 139886 | | BRACKET ASM LH |
| 39 | 139887 | | BRACKET ASM RH |
| 40 | 139977 | | SPACER FENDER LT |
| 51 | 73800400 | | NUT |
| 52 | 19091416 | | WASHER |
| 53 | 144697 | | BRACKET.GRILLE.LH |
| 54 | 17030814 | | SUB= 91817030814 |
| 55 | 144696 | | BRACKET.GRILLE.RH |
| 57 | 74780412 | | SUB= 74780414 |
| 58 | 140547 | | DUCT.AIR.B&S.18HP |
| 71 | 73680400 | | SUB= 73690400 |
| 140 | 158418 | | BRKT SUSPENSION |
| 145 | 156524 | | "ROD POVOT,CHASSIS" |
| 147 | 74760412 | | BOLT LT |
| | 5479J | | PLUG BUTTON T |

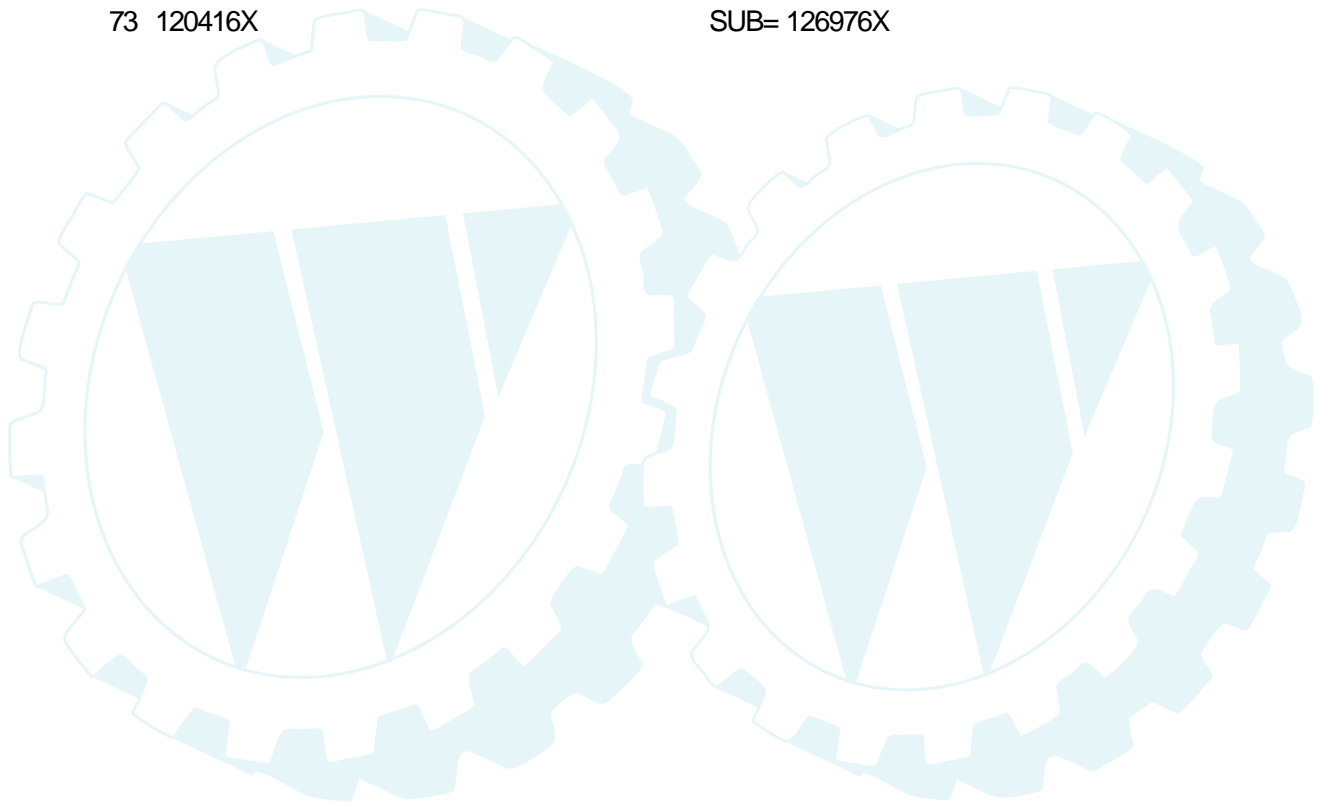
TRACTOR - - MODEL NUMBER LT4216F

DANA TRANSAXLE - MODEL NUMBER 4360-96



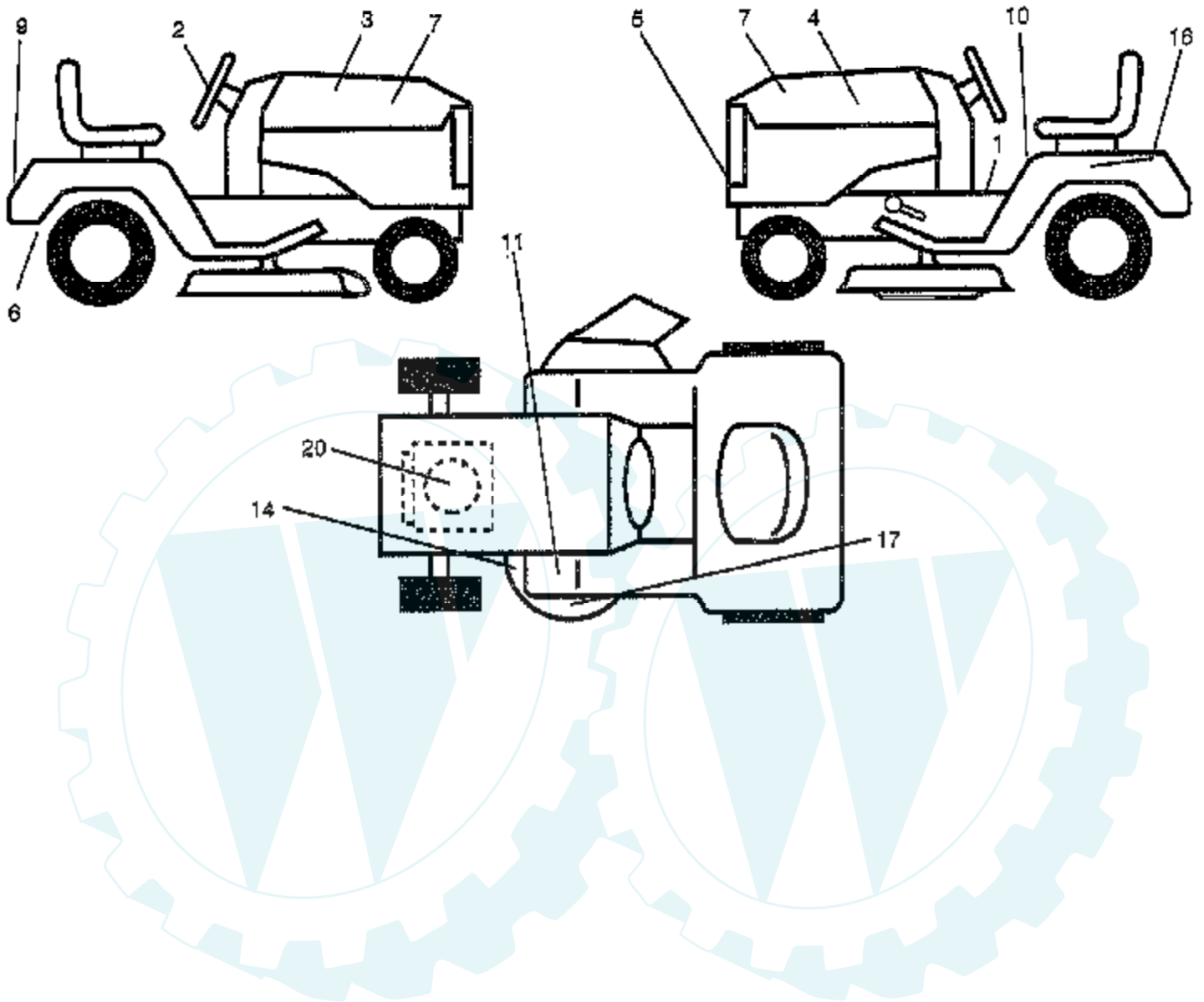
| Ref # | Part Number | Qty | Description |
|-------|-------------|-----|---------------------|
| 1 | 132671 | | HARNESS.IGNITION |
| 2 | 2274J | | SUB= 74760412 |
| 3 | 134400 | | SUB= 68003 |
| 4 | 105904X | | "SPRING, DETENT LT" |
| 5 | 105905X | | "SCREW, SET LT" |
| 6 | 138235 | | KIT SHIFTER ASM |
| 7 | 134399 | | SHIFTER BOOT |
| 8 | 120951X | | PUCK T |
| 9 | 148266 | | SUB= 105911X |
| 10 | 2225J | | RETAINING RING LT |
| 11 | 134793 | | ASM KIT SHIM 4689 |
| 12 | 143679 | | PLUG.PLASTIC |
| 13 | 120415X | | WASHER T |
| 14 | 142674 | | KEY WOODRUFF-DANA |
| 15 | 106846X | | SUB= 167148 |
| 16 | 106095X | | SUB= 95-8060-6F |
| 17 | 105909X | | "RING,RETAINING LT" |
| 18 | 105910X | | "CHAIN,24 PTCH LT" |
| 19 | 105911X | | BEARING.FLNG.5510 |
| 20 | 142675 | | GEAR SPUR 14 TTH |
| 21 | 148267 | | CLUTCH.COL.5467 |
| 22 | 138237 | | KIT.ASM.CLUTCH KY |
| 23 | 148268 | | BEARING.FLNG.5511 |
| 24 | 142676 | | SHAFT INTERM DANA |
| 25 | 2244J | | WOODRUFF KEY |
| 26 | 105916X | | "RING,RETAINING LT" |
| 27 | 120470X | | SPROCKET 18T T |
| 28 | 110070X | | SPACER YT |
| 29 | 142677 | | GEAR SPUR 37 TTH |
| 30 | 142681 | | GEAR SPUR 35 TTH |
| 31 | 124644X | | GEAR SPUR 30T |
| 32 | 108980X | | GEAR 25T LT |
| 33 | 120406X | | GEAR SPUR 22 TT |
| 34 | 134796 | | SPUR GEAR 19T |
| 35 | 105925X | | "WASHER, PLAIN LT" |
| 36 | 2232J | | WASHER 025 |
| 37 | 108978X | | SPACER |
| 38 | 110079X | | ASSM GEAR COMB |
| 39 | 124639X | | SHAFT IDLER |
| 40 | 120472X | | SPACER T |
| 41 | 105928X | | SPROCKET 9T LT |
| 42 | 106605X | | SUB= 167148 |
| 43 | 134394 | | ASM KIT SHIM |
| 44 | 120473X | | SHAFT T |
| 45 | 106596X | | "SCREW, TAPPING LT" |
| 46 | 142678 | | GEAR SPUR 12 TTH |
| 47 | 120407X | | SUB= 124641X |
| 48 | 106589X | | "GEAR, SPUR 25T LT" |
| 49 | 120408X | | GEAR 28T T |
| 50 | 105937X | | "GEAR, SPUR 31T LT" |
| 51 | 2226J | | WASHER 060 |
| 52 | 134401 | | NEOPRENE WASHER |
| 53 | 2264J | | WASHER 031 |
| 54 | 120474X | | SUB= 154658 |
| 55 | 110081X | | GEAR 15T T |
| 56 | 105941X | | "RING,RETAINING LT" |
| 57 | 110071X | | SUB= 120478X |
| 58 | 120952X | | SHAFT T |

| Ref # | Part Number | Qty | Description |
|-------|-------------|-----|-------------------|
| 59 | 110082X | | GEAR 1ST T |
| 60 | 120475X | | SUB= 154659 |
| 61 | 142680 | | HOUSING LOWER TNS |
| 62 | 120961X | | PUCK T |
| 63 | 7294J | | BRAKE DISC. T |
| 64 | 108989X | | SPACER LT |
| 65 | 120956X | | NLA |
| 66 | 120954X | | PIN T |
| 67 | 134799 | | TAP SCREW |
| 68 | 138244 | | SUB= 108992X |
| 69 | 108996X | | WASHER LT |
| 70 | 120956X | | NLA |
| 71 | 73810500 | | NUT.LOCK.5/16-24 |
| 72 | 148269 | | SEAL.OIL.DAN.5508 |
| 73 | 120416X | | SUB= 126976X |



TRACTOR - - MODEL NUMBER WE185H42C

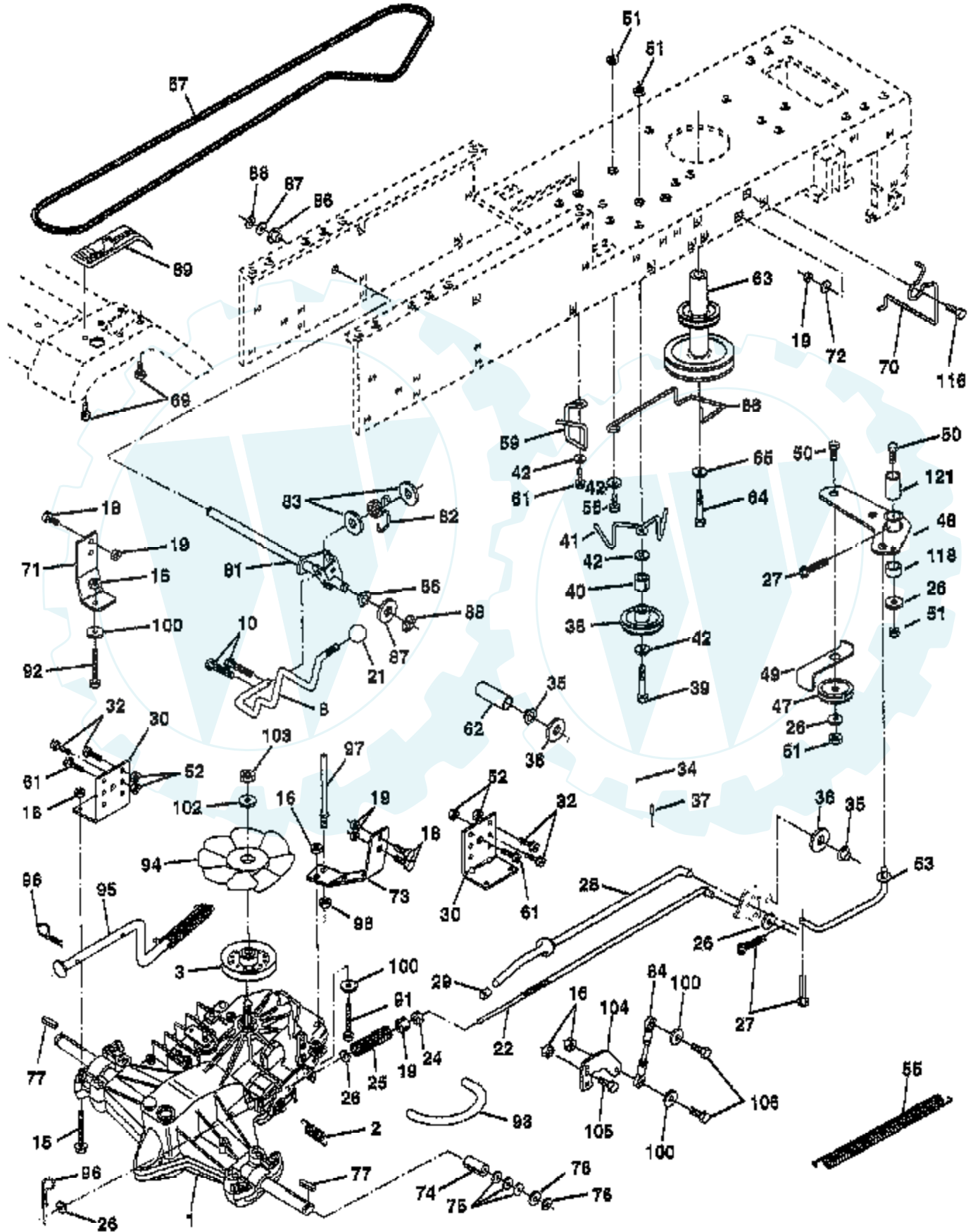
DECALS



| Ref # | Part Number | Qty | Description |
|-------|-------------|-----|-----------------------|
| 1 | 156868 | | "DECAL INST,SADDLE" |
| 2 | 156604 | | "DECAL INS,STRG WH" |
| 3 | 156609 | | "DECAL HOOD,RH" |
| 4 | 156610 | | DECAL HOOD LH |
| 5 | 159020 | | "DECAL GRILLE,LENS" |
| 6 | 142341 | | DECAL DRAWBAR LH |
| 7 | 159021 | | DECAL PANEL SIDE |
| 9 | 156602 | | DECAL-FENDER |
| 10 | 157002 | | "DECAL DANGER,FEND" |
| 11 | 4900J | | DECAL T |
| 14 | 160396 | | "DECAL-SCHEM,BELT" |
| 16 | 145005 | | DECAL.BATRY.3-3908 |
| 17 | 158894 | | DECAL DECK |
| 20 | 273063 | | DECAL, HP, ENGINE |
| | 138311 | | DECAL HANDLE LIFT |
| | 145246 | | PAD FOOTREST |
| | 145247 | | FASTNER.POPIN.(8) |
| | 158124 | | MANUAL.GENERIC.42 |
| | 161377 | | MANUAL.P.WE185H42 |
| | C42 | | GRASS CATCHER |
| | LSB42 | | SNOW THROWER |
| | LC06 | | TIRE CHAINS |
| | MK420 | | MULCHING KIT W/BLADES |
| | LBD48 | | SNOW BLADE |
| | LC05 | | WHEEL WTS. |

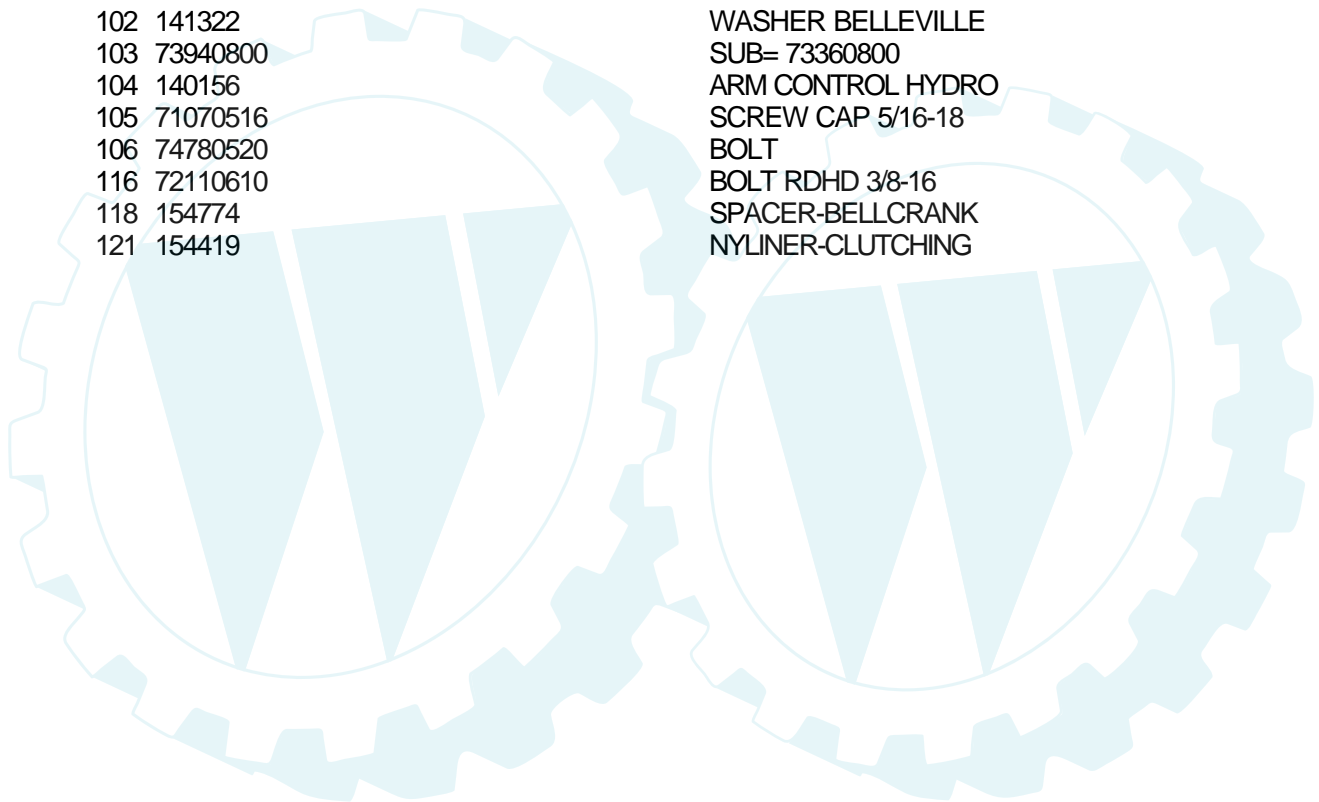
TRACTOR - - MODEL NUMBER WE185H42C

DRIVE



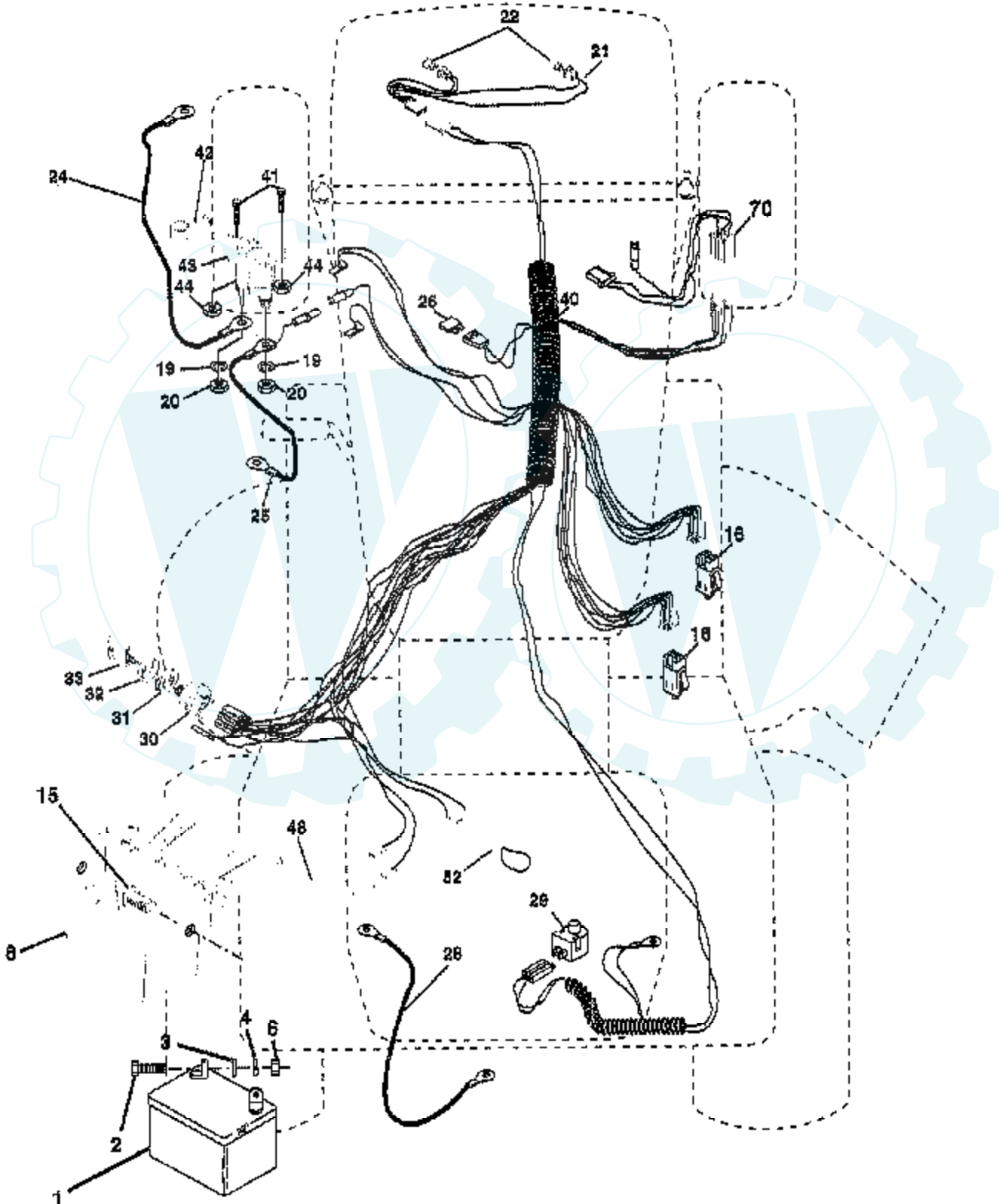
| Ref # | Part Number | Qty | Description |
|-------|-------------|-----|---------------------|
| 1 | 150071 | | TRANSAXLE.3100650 |
| 2 | 142431 | | SPRING RET BRAKE |
| 3 | 143995 | | PULLEY.TRANSAXLE |
| 8 | 141003 | | ROD SHIFT FEND LT |
| 10 | 76020416 | | PIN COTTER 1/8 |
| 15 | 74490544 | | BOLT.HX.FLG.5/16 |
| 16 | 73800500 | | NUT |
| 18 | 74780616 | | BOLT |
| 19 | 73800600 | | NUT |
| 21 | 106933X | | KNOB T (1/2-HOLE) |
| 22 | 145627 | | ROD.BRAKE.HYDRO. |
| 24 | 73350600 | | NUT |
| 25 | 106888X | | SPRING ROD LT |
| 26 | 19131316 | | WASHER |
| 27 | 76020412 | | COTTER PIN |
| 28 | 145204 | | ROD.BRAKE.PARK.LT |
| 29 | 71673 | | PLUNGER CAP T |
| 30 | 130807 | | TRANSAXLE MTG BKT |
| 32 | 74760512 | | BOLT |
| 34 | 155071 | | SHAFT ASM-PEDAL F |
| 35 | 120183X | | NYLON BEARING |
| 36 | 19211616 | | WASHER LT |
| 37 | 1572H | | SUB= 2882J |
| 38 | 123674X | | PULLEY.IDLER.FLAT |
| 39 | 74760644 | | BOLT |
| 40 | 4470J | | SPACER T |
| 41 | 154777 | | SUB= 165692 |
| 42 | 19131312 | | WASHER |
| 47 | 127783 | | SUB= 139245 |
| 48 | 154604 | | BELLCRANK ASM |
| 49 | 123205X | | RETAIN BELT |
| 50 | 74760624 | | SUB= 74930624 |
| 51 | 73680600 | | SUB= 73690600 |
| 52 | 73680500 | | SUB= 73690500 |
| 53 | 105710X | | "LINK, CLUTCH T" |
| 55 | 105709X | | "SPRING, RETURN LT" |
| 56 | 74760620 | | SUB= 74780620 |
| 57 | 140294 | | "BELT.GD DRV 82"" |
| 59 | 140312 | | KEEPER BELT CNTSP |
| 61 | 17490612 | | SCREW |
| 62 | 8883R | | PEDAL COVER T |
| 63 | 140186 | | PULLEY.ENGINE |
| 64 | 71170764 | | BOLT |
| 65 | 10040700 | | LOCKWASHER |
| 66 | 154778 | | KEEPER-BELT |
| 69 | 142432 | | SCREW HEXWSH H-L |
| 70 | 134683 | | KEEPER BELT ENG |
| 71 | 140158 | | STRAP TORQ LH HYD |
| 72 | 19132012 | | WASHER |
| 73 | 156347 | | "STRAP-TORQUE,RH" |
| 74 | 121199X | | SPACER SPLIT |
| 75 | 121749X | | WASHER |
| 76 | 12000001 | | E-RING LT |
| 77 | 123583X | | SQUARE KEY |
| 78 | 121748X | | WASHER |
| 81 | 156046 | | SHAFT.CROS.20.HYD |
| 82 | 123782X | | "SPRING TORSION" |
| 83 | 19171216 | | WASHER |

| Ref # | Part Number | Qty | Description |
|-------|-------------|-----|--------------------|
| 84 | 140548 | | ROD.TIE.BALL.4.75 |
| 86 | 71208 | | BUSHING |
| 87 | 19212016 | | WASHER D |
| 88 | 12000008 | | KLIP RING |
| 89 | 151147 | | SUB= 164893 |
| 91 | 74780536 | | NLA |
| 92 | 74780524 | | HEX BOLT |
| 93 | 142564 | | "LINE FUEL HYD 4"" |
| 94 | 140462 | | "FAN 7"" HYDRO" |
| 95 | 144643 | | SUB= 918144643 |
| 96 | 4497H | | RETAINER M |
| 97 | 140469 | | BOLT KEEPER RH |
| 98 | 73510600 | | NUT |
| 100 | 19111216 | | WASHER M |
| 102 | 141322 | | WASHER BELLEVILLE |
| 103 | 73940800 | | SUB= 73360800 |
| 104 | 140156 | | ARM CONTROL HYDRO |
| 105 | 71070516 | | SCREW CAP 5/16-18 |
| 106 | 74780520 | | BOLT |
| 116 | 72110610 | | BOLT RDHD 3/8-16 |
| 118 | 154774 | | SPACER-BELLCRANK |
| 121 | 154419 | | NYLINER-CLUTCHING |



TRACTOR - - MODEL NUMBER WE185H42C

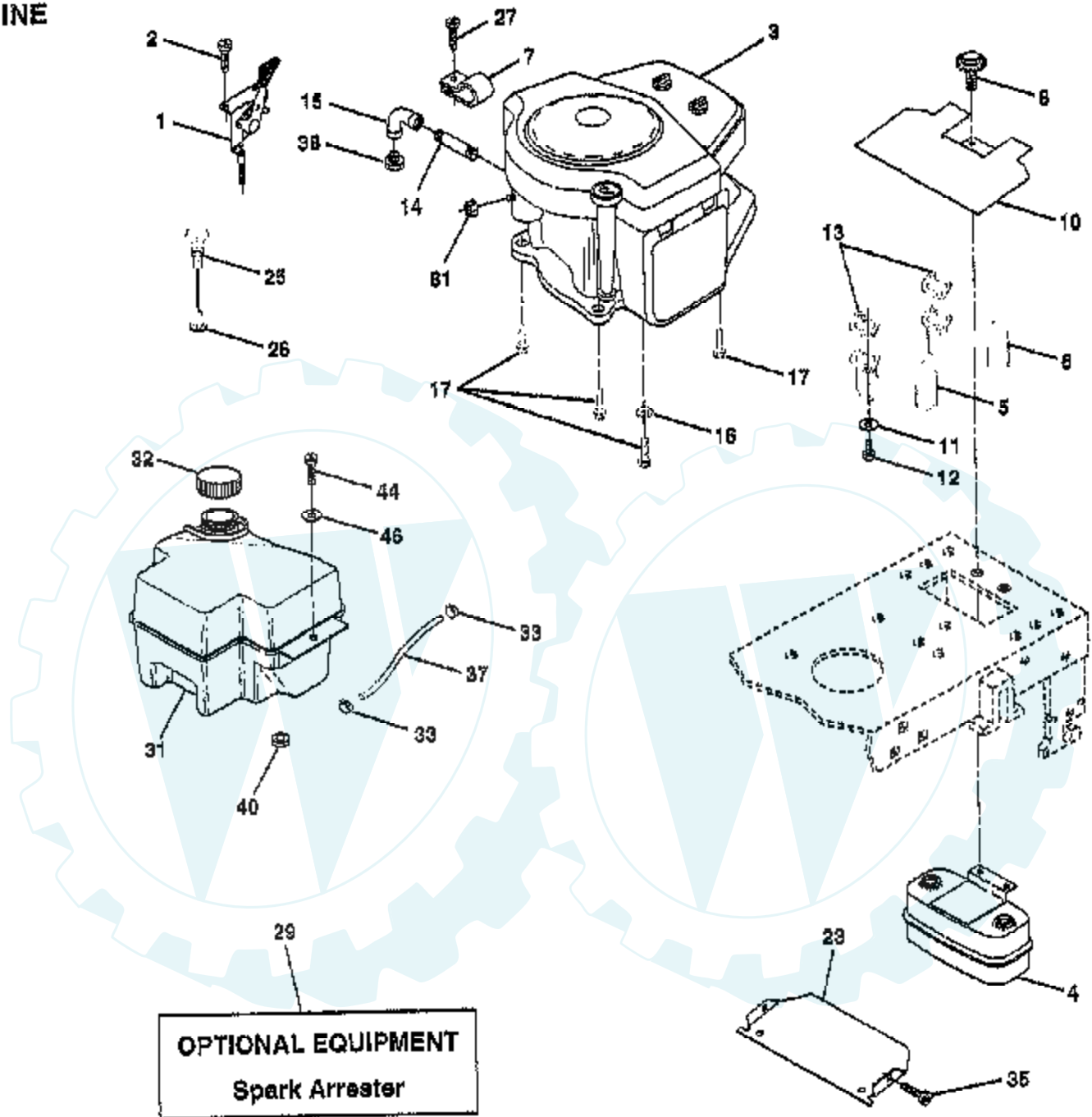
ELECTRICAL



| Ref # | Part Number | Qty | Description |
|-------|-------------|-----|---------------------|
| 1 | 144925 | | SUB= 123899X |
| 2 | 74760412 | | BOLT LT |
| 3 | 19091016 | | WASHER |
| 4 | 10040400 | | LOCKWASHER |
| 6 | 73220400 | | SUB= 50675 |
| 8 | 156417 | | "CASE,BATTERY.MECH" |
| 15 | 147688 | | FASTNER.SNAP-IN |
| 16 | 153664 | | SWITCH INTERLOCK |
| 19 | 10090400 | | SUB= 10040400 |
| 20 | 73350400 | | NUT |
| 21 | 136850 | | "HARNES,LIGHT SOC" |
| 22 | 4152J | | HEADLAMP BULB |
| 24 | 4799J | | "CABLE T, BATTERY" |
| 25 | 146147 | | CABLE.BTRY.6GA.RD |
| 26 | 108824X | | FUSE HYT |
| 28 | 4207J | | CABLE T |
| 29 | 121305X | | SWITCH SEAT |
| 30 | 140301 | | SWITCH IGN 4POS |
| 31 | 124211X | | NUT IGNITION |
| 32 | 141226 | | COVER KEY SWITCH |
| 33 | 122147X | | KEY |
| 40 | 156442 | | HARNES-IGNITION |
| 41 | 71110408 | | BOLT HXHD FIN |
| 42 | 131563 | | SUB= 154336 |
| 43 | 145673 | | SUB= 146154 |
| 44 | 73640400 | | NUT HXKEP 1/4X20 |
| 48 | 140844 | | ADAPTER AMMETER |
| 52 | 141940 | | PROTECTION LOOP |
| 70 | 140413 | | HARNES ENG DUAL |

TRACTOR - - MODEL NUMBER WE185H42C

ENGINE



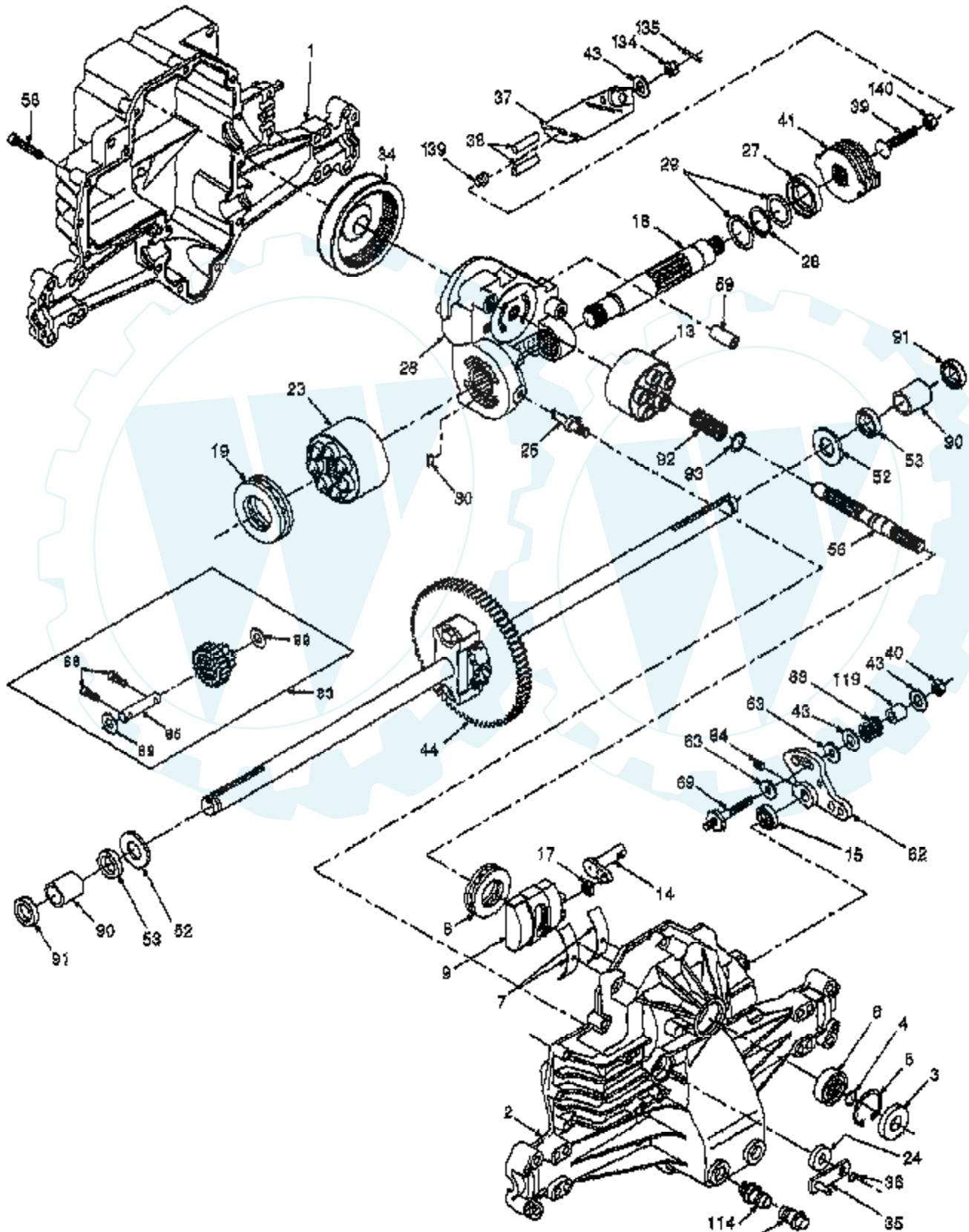
OPTIONAL EQUIPMENT
Spark Arrester

NOTE: All component dimensions given in U.S. inches
1 inch = 25.4 mm

| Ref # | Part Number | Qty | Description |
|-------|-------------|-----|---------------------|
| 1 | 141295 | | CONTROL THRT 35.5 |
| 2 | 17720410 | | SCREW LT |
| 3 | | | REFER TO IMAGE |
| 4 | 149723 | | MUFFLER.TW.LOTONE |
| 5 | 144069 | | EXHAUST.B&S.18.LH |
| 6 | 144068 | | EXHAUST.B&S.18.RH |
| 7 | 138129 | | CLAMP.TUBE.DBL.EN |
| 8 | 150176 | | BOLT.5/16-18.UNC |
| 10 | 145552 | | SHIELD.HEAT. |
| 11 | 10040400 | | LOCKWASHER |
| 12 | 74780412 | | SUB= 74780414 |
| 13 | 272250 | | GASKET MUFFLER |
| 14 | 13280336 | | PIPE NIPPLE LT |
| 15 | 13200300 | | ELBOW |
| 16 | 11050600 | | LOCKWASHER |
| 17 | 17490624 | | SCREW LT |
| 23 | 156123 | | SHIELD-HEAT |
| 25 | 145996 | | CONTROL.CHOKE.37 |
| 26 | 73920600 | | "NUT,KEPS 3/8-24IM" |
| 27 | 152927 | | "SCREW-TT,10-32 FL" |
| 29 | 137180 | | SUB= 532137180 |
| 31 | 140280 | | SUB= 161911 |
| 32 | 140527 | | CAP ASM FUEL |
| 33 | 123487X | | HOSE CLAMP |
| 35 | 17490512 | | SCREW |
| 37 | 137040 | | LINE FUEL |
| 38 | | | REFER TO IMAGE |
| 40 | 124028X | | SUB= 532124028 |
| 44 | 17490412 | | SCREW HEX CRT |
| 46 | 19091416 | | WASHER |
| 81 | 128861 | | NUT |

TRACTOR - - MODEL NUMBER WE185H42C

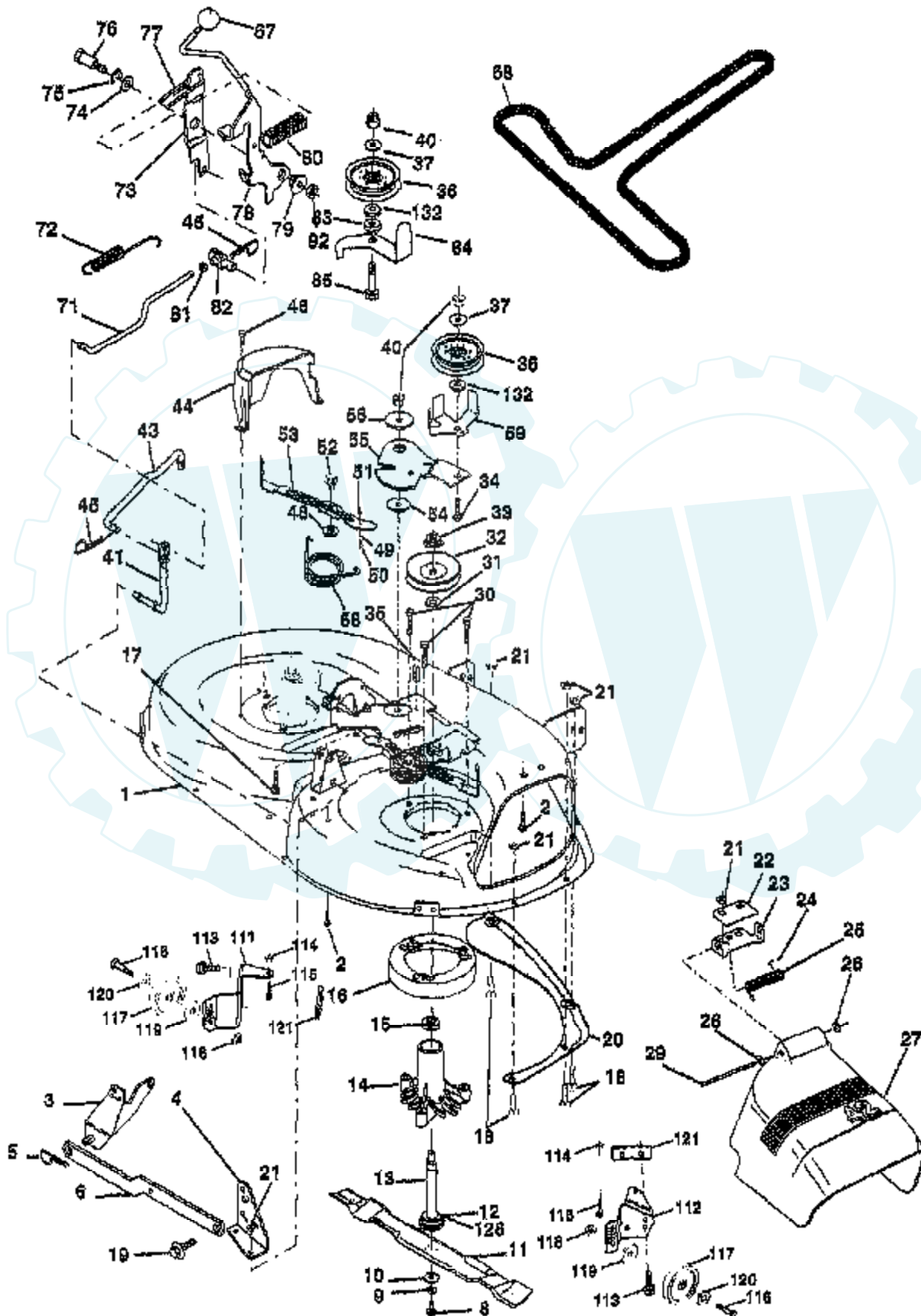
HYDRO GEAR TRANSAXLE - MODEL NUMBER 310-0650



| Ref # | Part Number | Qty | Description |
|-------|-------------|-----|-----------------------------|
| 1 | 142930 | | HOUSING.L.50074RM |
| 2 | 142931 | | HOUSING.UP.70125 |
| 3 | 142932 | | SEAL.9008000-0128 |
| 4 | 142928 | | RING.RET.2003016. |
| 5 | 142933 | | RING.RET.2003052. |
| 6 | 142934 | | BEARING.(50552)42X68X16 |
| 7 | 142935 | | CRADLE- 2003023. |
| 8 | 150771 | | BEARING.THU.50551 |
| 9 | 142937 | | SWASHPLT.2003087. |
| 13 | 142938 | | BLOCK.CLYN.70079. |
| 14 | 142939 | | ARM.TRUN.2003005. |
| 15 | 142940 | | SEAL.9008000-0126 |
| 17 | 142941 | | GUIDE.2000015. |
| 18 | 150772 | | SHAFT.MOTOR.50449 |
| 19 | 150773 | | BEARING.THU.50552 |
| 23 | 142944 | | BLOCK.CYLIN.70082 |
| 24 | 142945 | | SEAL.LIP.45074 |
| 25 | 142946 | | ACTUATOR.2003555 |
| 26 | 150774 | | KIT.CEN.SEC.70250 |
| 27 | 142948 | | SEAL.LIP.45075 |
| 28 | 142949 | | RING RETAIN 50007 |
| 29 | 142950 | | WASHER.44872 |
| 30 | 150787 | | PLATE.BYP.2003554 |
| 34 | 142951 | | ELEMENT.OIL.44964 |
| 35 | 142952 | | ARM.BYPASS.50270 |
| 36 | 142953 | | RING.RETAIN.44870 |
| 37 | 142954 | | ARM.ACTUAT.23710 |
| 38 | 142955 | | PIN.ACTUAT.44891 |
| 39 | 150777 | | BOLT.50316 |
| 40 | 150778 | | NUT.LOCK.HX.50317 |
| 41 | 142958 | | KIT.BRAKE.70135 |
| 43 | 142884 | | WASHER HYD 44130 |
| 44 | 150829 | | DIFFRENTIAL.70226 |
| 52 | 142991 | | WASHER.HYD.44875 |
| 53 | 142961 | | SEAL.HYDRO.45076 |
| 56 | 142963 | | SHAFT.INPUT.50005 |
| 58 | 142964 | | BOLT.1/4-20.44876 |
| 59 | 142965 | | PIN.HYDRO.50002 |
| 62 | 142966 | | ARM.CONTROL.50254 |
| 63 | 142967 | | PUCK.DAMPER.50281 |
| 64 | 142920 | | SCREW.SET.50018. |
| 68 | 142969 | | SPRING.HYD.50277 |
| 69 | 144610 | | STUD.5/16-24.DANA |
| 83 | 142971 | | JACKSHAFT/PINION GEAR.70132 |
| 85 | 150806 | | PIN.SHAFT 50559 |
| 88 | 142973 | | SCREW.CAP.50154. |
| 89 | 142974 | | WASHER.HYD.50132 |
| 90 | 142975 | | BEARING.SLV.50118 |
| 91 | 142976 | | SEAL.WIPER.50941 |
| 92 | 142977 | | SPRING.2003014. |
| 93 | 142978 | | WASHER.2003017 |
| 113 | 142917 | | CAP.VENT.70109 |
| 114 | 142918 | | O-RING.ASM.70110 |
| 119 | 142980 | | SPACER.HYD.50278 |
| 134 | 144607 | | NUT.CAS.HYD.44142 |
| 135 | 144608 | | PIN.COT.HYD.44101 |
| 139 | 150775 | | SPRING.COMP.50431 |
| 140 | 150776 | | NUT.HEX.50269 |

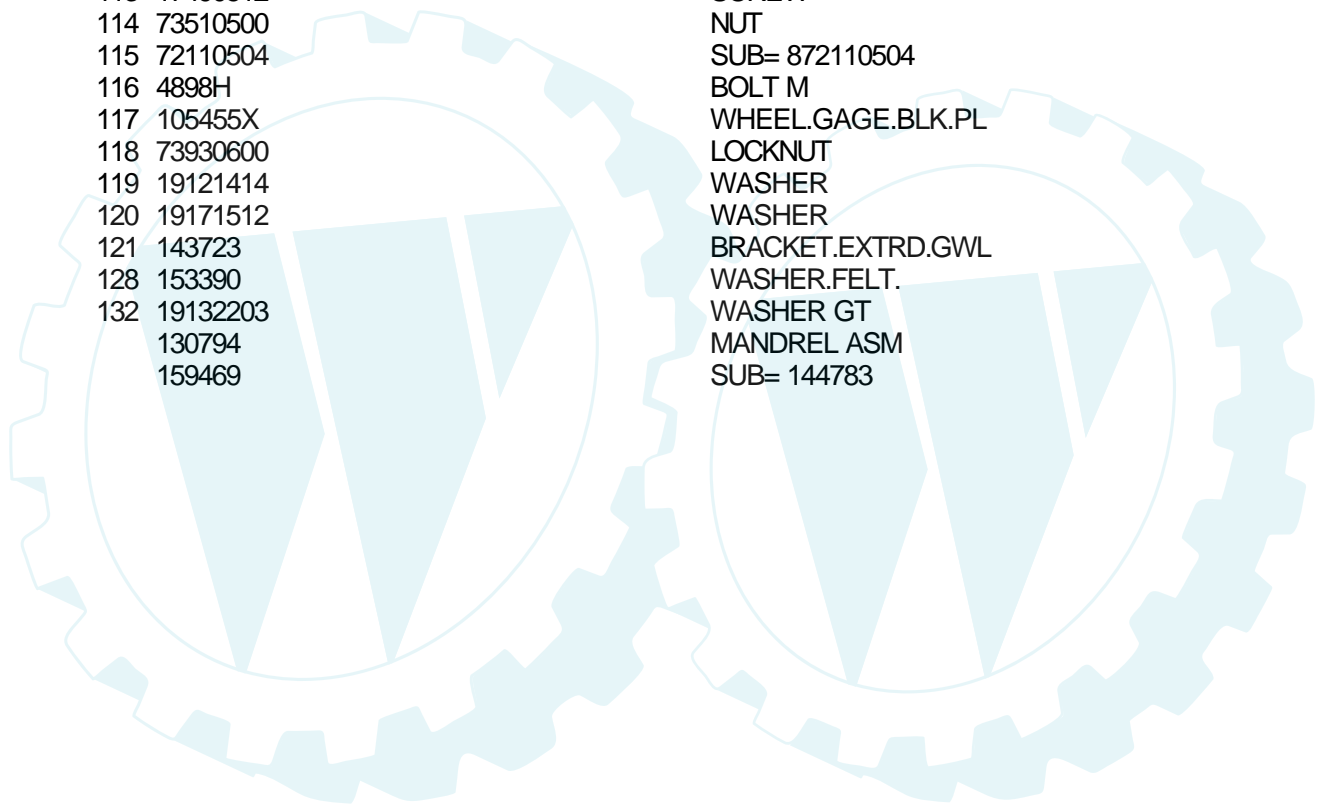
TRACTOR - - MODEL NUMBER WE185H42C

MOWER DECK



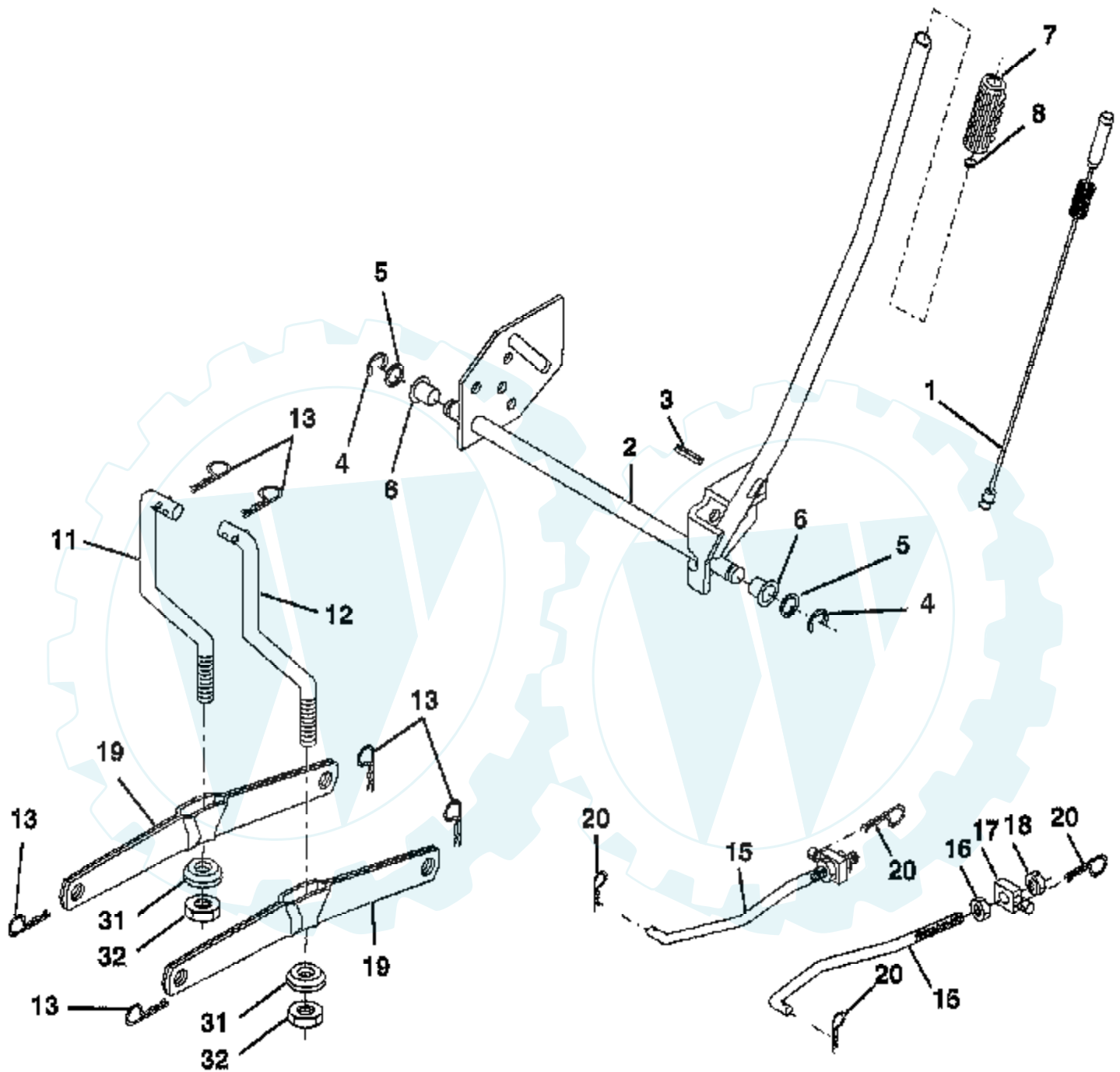
| Ref # | Part Number | Qty | Description |
|-------|-------------|-----|---------------------|
| 1 | 144393 | | DECK.WELD.42. |
| 2 | 72140506 | | BOLT |
| 3 | 138017 | | BRKT ASM SWAY BAR |
| 4 | 138440 | | BRKT DECK SW BAR |
| 5 | 4939M | | SUB= 85902 |
| 6 | 130832 | | SUB= 130833 |
| 8 | 850857 | | BLADE BOLT |
| 9 | 10030600 | | SUB= 10040600 |
| 10 | 140296 | | WASHER.HARD.BLADE |
| 11 | 138498 | | "BLADE.42"" HIPERF" |
| 12 | 129895 | | BEARING.BALL |
| 13 | 137645 | | SUB= 137646 |
| 14 | 128774 | | HSG ASM MANDREL |
| 15 | 110485X | | BEARING |
| 16 | 140329 | | STRIPPER RND MWR |
| 17 | 72110610 | | BOLT RDHD 3/8-16 |
| 18 | 72140505 | | BOLT |
| 19 | 132827 | | BOLT SHD 5/16-18 |
| 20 | 136888 | | SUB= 918136888 |
| 21 | 73680500 | | SUB= 73690500 |
| 22 | 134753 | | STIFFENER BRKT |
| 23 | 131267 | | DEFLECTOR BRKT |
| 24 | 105304X | | CAP-SLEEVE LT |
| 25 | 123713X | | SPRING TORSION |
| 26 | 110452X | | NUT PUSH M |
| 27 | 130968 | | DEFLECTOR.SHIELD |
| 28 | 19111016 | | WASHER |
| 29 | 131491 | | HINGE ROD |
| 30 | 157722 | | "SCREW-THD ROLL,WA" |
| 31 | 129963 | | WASHER |
| 32 | 153535 | | PULLEY.MANDREL.42 |
| 33 | 137266 | | SUB= 139729 |
| 34 | 72110614 | | BOLT |
| 35 | 133835 | | XMAS TREE FASTNER |
| 36 | 131494 | | FLAT IDLER PULLEY |
| 37 | 19131316 | | WASHER |
| 40 | 73680600 | | SUB= 73690600 |
| 41 | 133551 | | PIVOT ROD |
| 43 | 140083 | | ROD CLUTCH W/NIBS |
| 44 | 140088 | | GUARD MAND LH BLK |
| 45 | 4497H | | RETAINER M |
| 46 | 137729 | | SCREW.1/4-20X5/8 |
| 48 | 133944 | | HARD SMALL WASHER |
| 49 | 155066 | | ROLLER ASM-CAM |
| 50 | 131340 | | SHOULDER BOLT |
| 51 | 69180 | | LOCKNUT |
| 52 | 139888 | | BOLT.SHLD.5/16-18 |
| 53 | 131845X900 | | SUB= 131845 |
| 54 | 133943 | | HARDENED WASHER |
| 55 | 155046 | | ARM-IDLER |
| 56 | 122052X | | SPACER RETAINER |
| 58 | 140086 | | SPRING TORSN BRAK |
| 59 | 141043 | | GUARD IDLER TUV |
| 67 | 106932X | | KNOB T(3/8 HOLE) |
| 68 | 144959 | | BELT-V.SEC.46.KEL |
| 71 | 142427 | | ROD CLUTCH 38/42 |
| 72 | 131870 | | RETURN SPRING |
| 73 | 127847 | | CLUTCH ARM SECOND |

| Ref # | Part Number | Qty | Description |
|-------|-------------|-----|-------------------|
| 74 | 121748X | | WASHER |
| 75 | 12000029 | | RING |
| 76 | 128903 | | SHOULDER BOLT |
| 77 | 127845 | | SPRING KEEPER |
| 78 | 154809 | | LEVER ASM-CLUTCH |
| 79 | 127498 | | BUSHING |
| 80 | 153701 | | SPRING.CLUTCH.MWR |
| 81 | 73350600 | | NUT |
| 82 | 142028 | | TRUNION ADJ |
| 84 | 158824 | | BRACKET ASM IDLER |
| 92 | 73800600 | | NUT |
| 111 | 155197 | | BRACKET.GWHL.LH. |
| 112 | 155198 | | BRACKET.GWHL.RH. |
| 113 | 17490512 | | SCREW |
| 114 | 73510500 | | NUT |
| 115 | 72110504 | | SUB= 872110504 |
| 116 | 4898H | | BOLT M |
| 117 | 105455X | | WHEEL.GAGE.BLK.PL |
| 118 | 73930600 | | LOCKNUT |
| 119 | 19121414 | | WASHER |
| 120 | 19171512 | | WASHER |
| 121 | 143723 | | BRACKET.EXTRD.GWL |
| 128 | 153390 | | WASHER.FELT. |
| 132 | 19132203 | | WASHER GT |
| | 130794 | | MANDREL ASM |
| | 159469 | | SUB= 144783 |



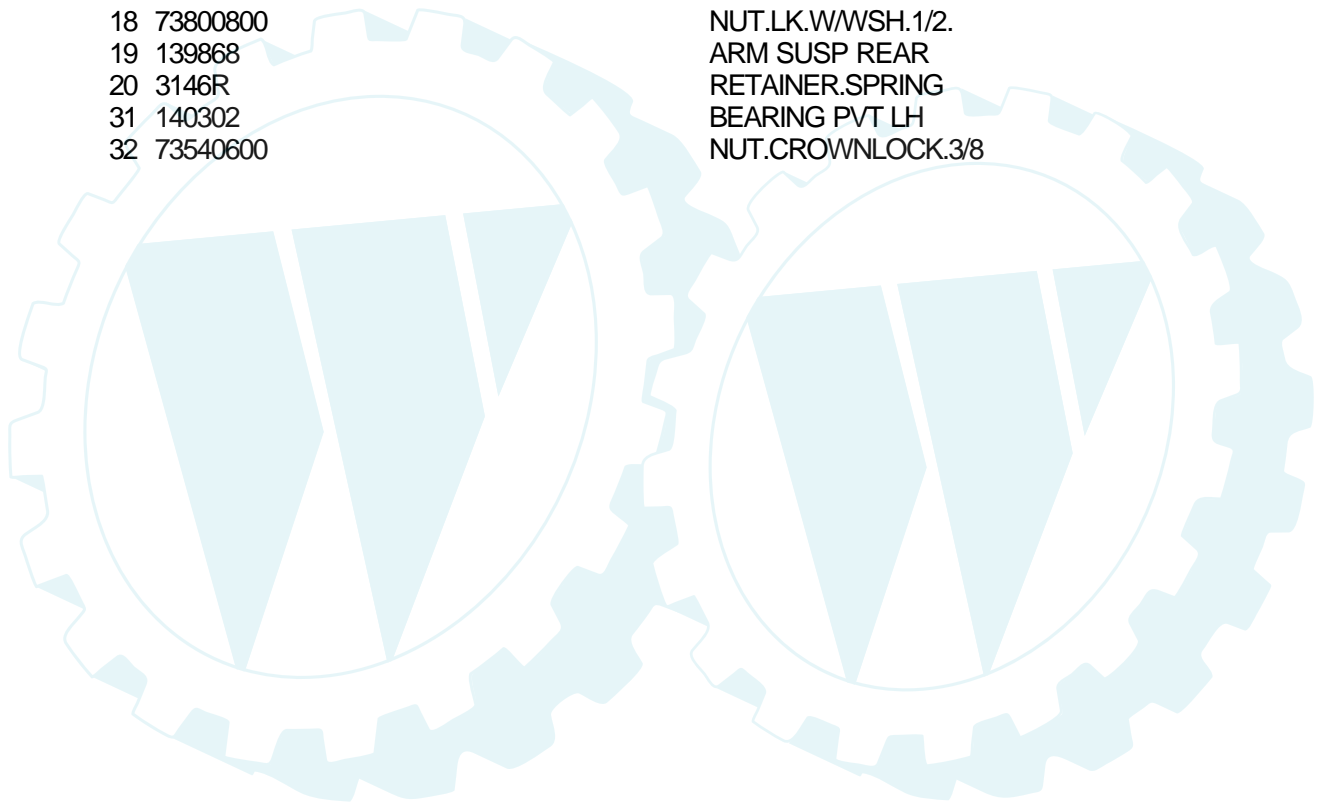
TRACTOR - - MODEL NUMBER WE185H42C

MOWER LIFT



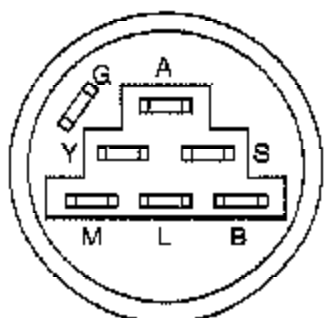
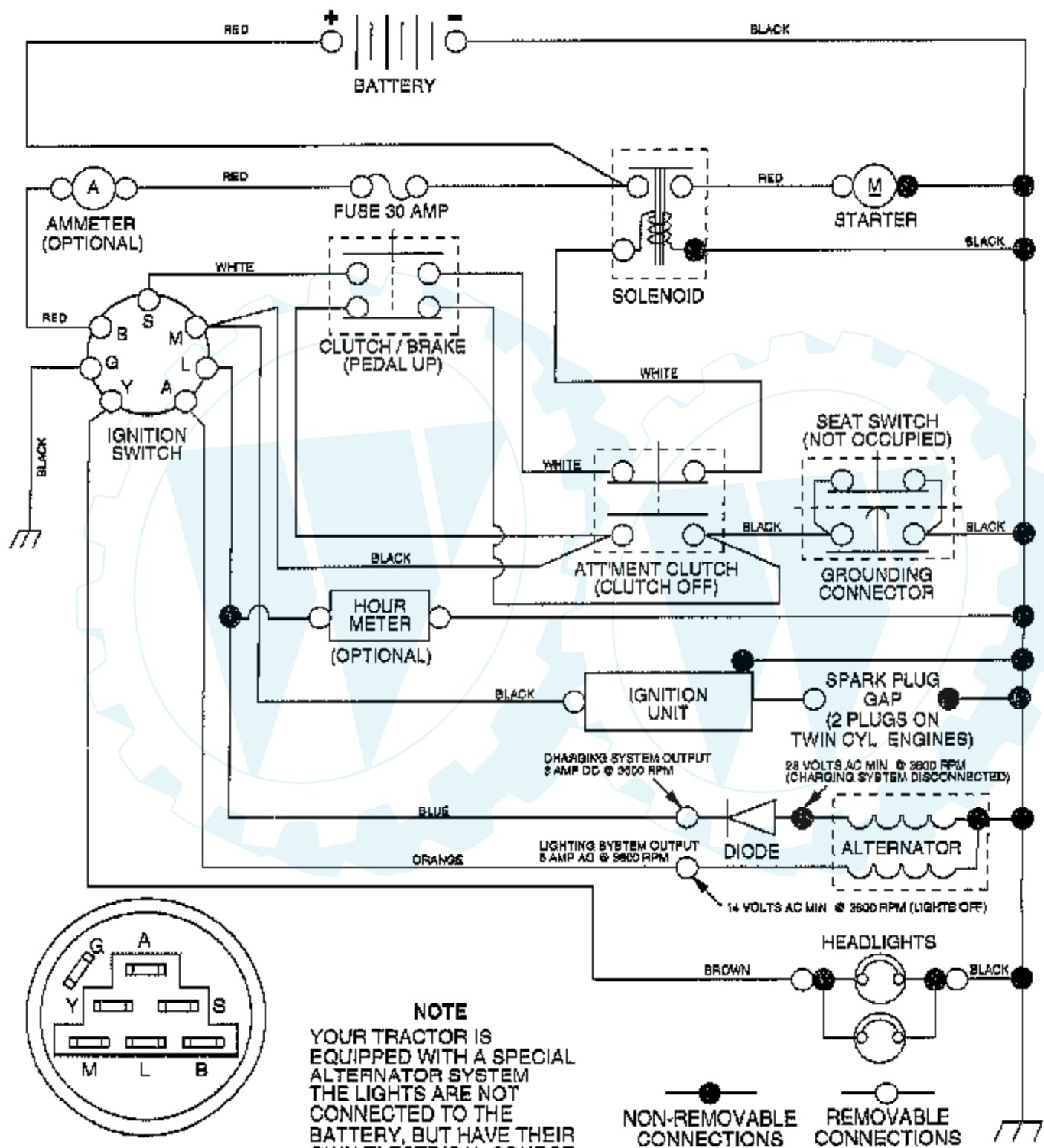
NOTE: All component dimensions given in U.S. Inches
1 Inch = 25.4 mm

| Ref # | Part Number | Qty | Description |
|-------|-------------|-----|---------------------|
| 1 | 159460 | | WIRE ASM W.SPRING |
| 2 | 159471 | | "SHAFT ASM LIFT,RH" |
| 3 | 105767X | | PIN-GROOVE LT |
| 4 | 12000002 | | SUB= 2225J |
| 5 | 19211621 | | WASHER |
| 6 | 120183X | | NYLON BEARING |
| 7 | 109413X | | GRIP |
| 8 | 124526X | | SUB= 125925X |
| 11 | 139865 | | SUB= 918139865 |
| 12 | 139866 | | SUB= 151140 |
| 13 | 4939M | | SUB= 85902 |
| 15 | 127218 | | LINK.FRONT |
| 16 | 73350800 | | NUT |
| 17 | 130171 | | TRUNION |
| 18 | 73800800 | | NUT.LK.W/WSH.1/2. |
| 19 | 139868 | | ARM SUSP REAR |
| 20 | 3146R | | RETAINER.SPRING |
| 31 | 140302 | | BEARING PVT LH |
| 32 | 73540600 | | NUT.CROWNLOCK.3/8 |



TRACTOR - - MODEL NUMBER WE185H42C

SCHEMATIC



IGNITION SWITCH

| POSITION | CIRCUIT | "MAKE" |
|-----------|-----------|--------|
| OFF | G + M + L | NONE |
| RUN/LIGHT | B + L | A + Y |
| RUN | B + L | NONE |
| START | B + L + S | NONE |

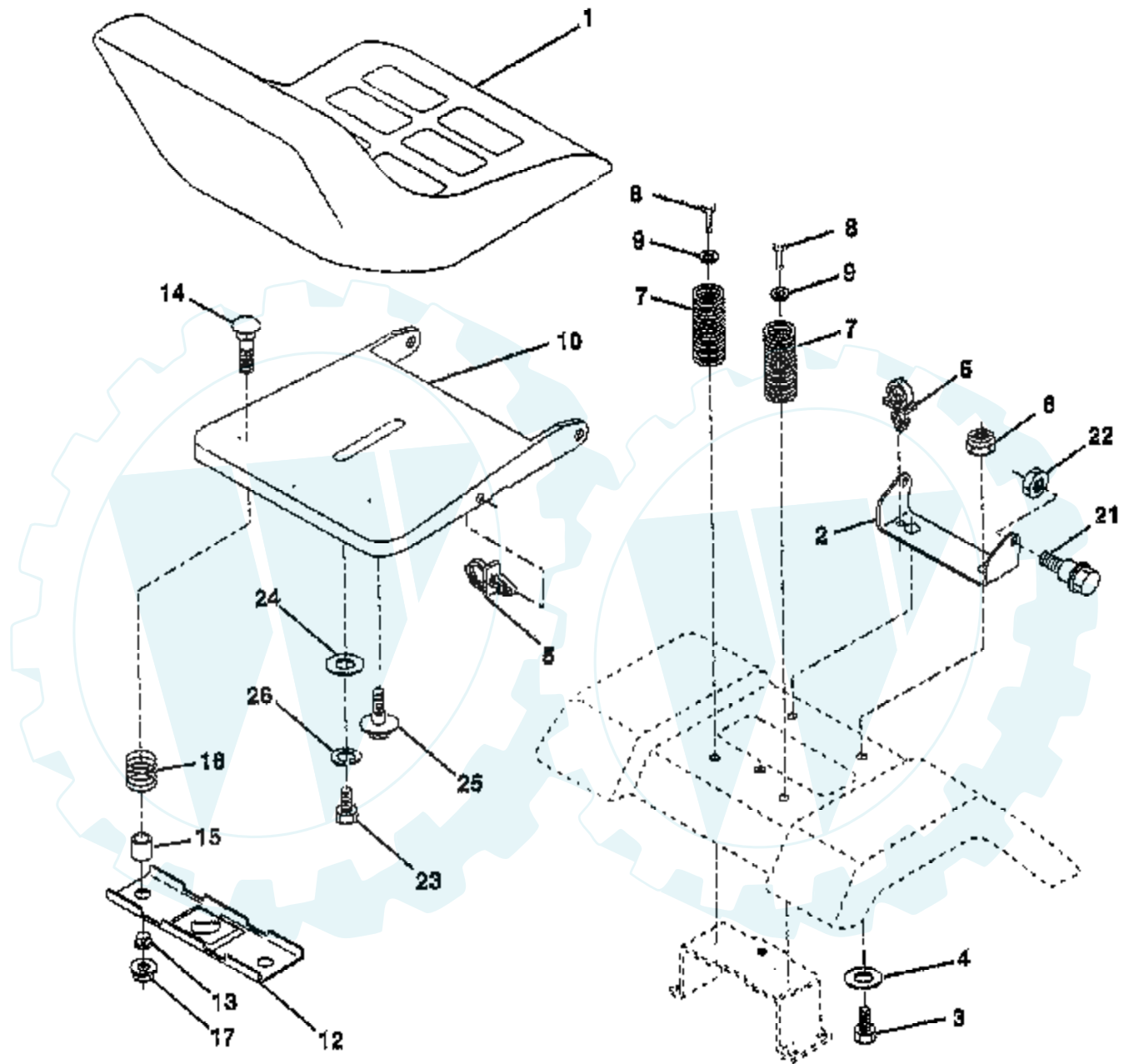
NOTE
YOUR TRACTOR IS EQUIPPED WITH A SPECIAL ALTERNATOR SYSTEM THE LIGHTS ARE NOT CONNECTED TO THE BATTERY, BUT HAVE THEIR OWN ELECTRICAL SOURCE BECAUSE OF THIS, THE BRIGHTNESS OF THE LIGHTS WILL CHANGE WITH ENGINE SPEED AT IDLE THE LIGHTS WILL DIM AS THE ENGINE IS SPEEDED UP, THE LIGHTS WILL BECOME THEIR BRIGHTEST

NON-REMOVABLE CONNECTIONS REMOVABLE CONNECTIONS

WIRING INSULATED CLIPS
NOTE: IF WIRING INSULATED CLIPS WERE REMOVED FOR SERVICING OF UNIT, THEY SHOULD BE REPLACED TO PROPERLY SECURE YOUR WIRING

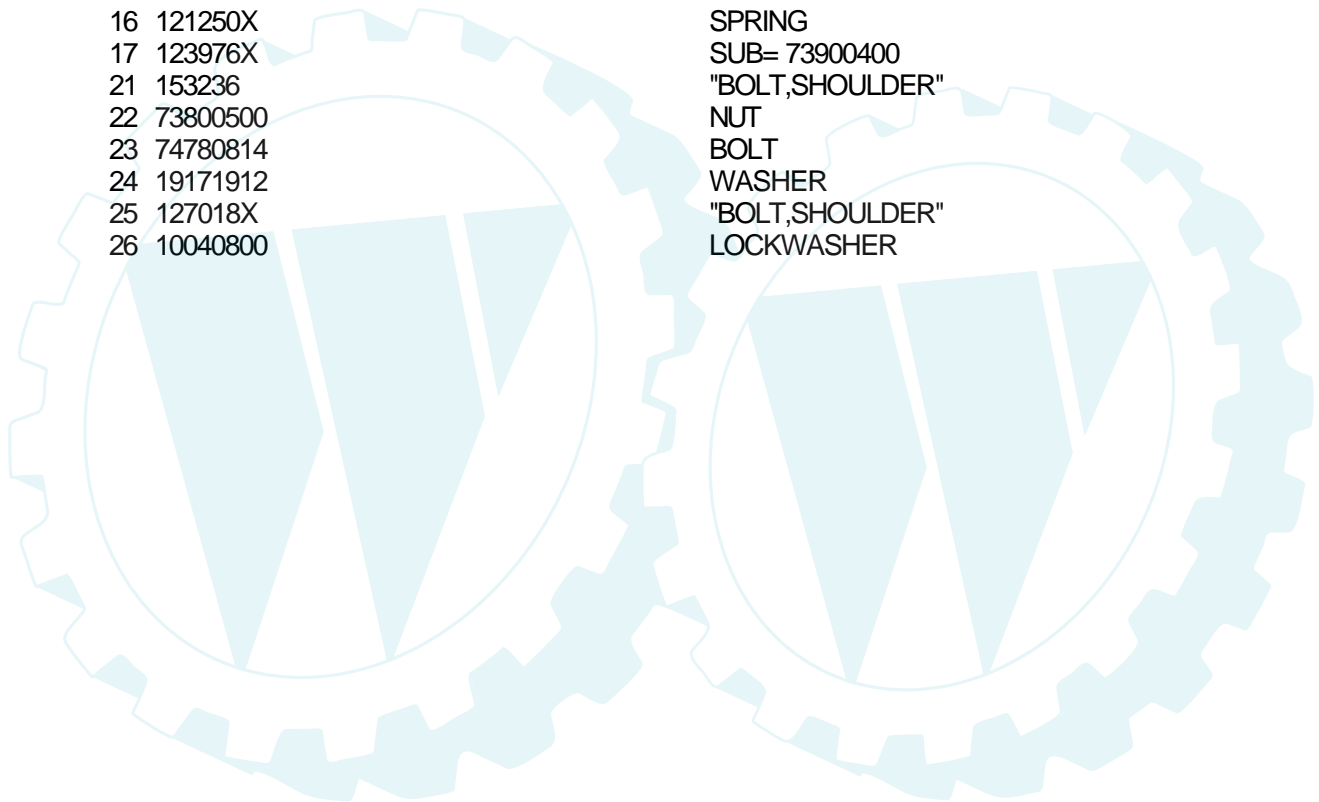
TRACTOR - - MODEL NUMBER WE185H42C

SEAT ASSEMBLY



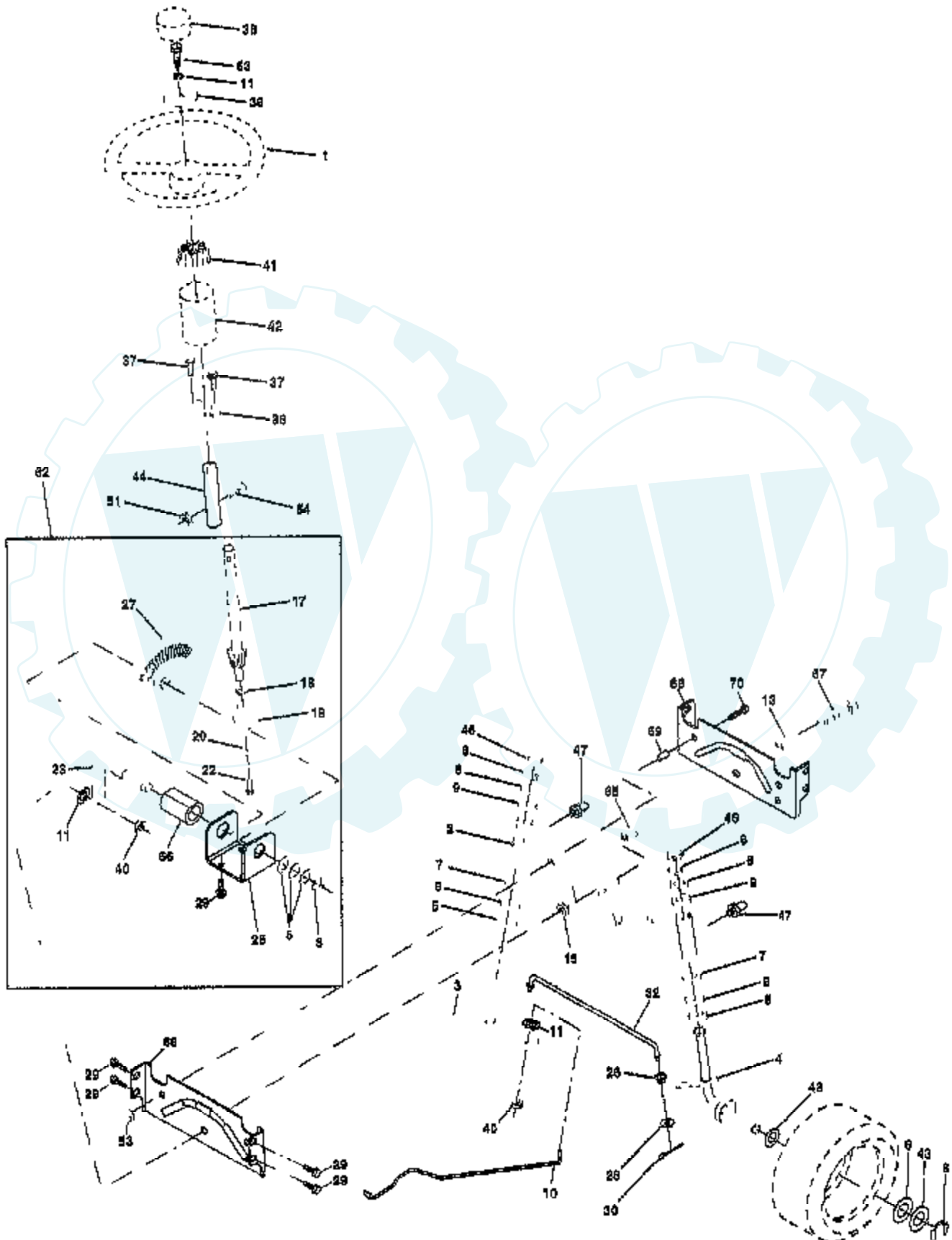
NOTE: All component dimensions given in U.S. inches
1 inch = 25.4 mm

| Ref # | Part Number | Qty | Description |
|-------|-------------|-----|-------------------|
| 1 | 127428 | | SUB= 140119 |
| 2 | 140551 | | BRACKET PVT SEAT |
| 3 | 74760616 | | BOLT |
| 4 | 19131610 | | WASHER PM |
| 5 | 145006 | | CLIP.PUSH-IN.HING |
| 6 | 73800600 | | NUT |
| 7 | 124181X | | SPRING COMPRESSIO |
| 8 | 17490616 | | SCREW GTV |
| 9 | 19131614 | | WASHER |
| 10 | 155925 | | PAN-SEAT |
| 12 | 121246X | | BRKT SWITCH |
| 13 | 121248X | | BUSHING |
| 14 | 72050412 | | BOLT-RD HD SQ NK |
| 15 | 134300 | | SPLIT SPACER |
| 16 | 121250X | | SPRING |
| 17 | 123976X | | SUB= 73900400 |
| 21 | 153236 | | "BOLT,SHOULDER" |
| 22 | 73800500 | | NUT |
| 23 | 74780814 | | BOLT |
| 24 | 19171912 | | WASHER |
| 25 | 127018X | | "BOLT,SHOULDER" |
| 26 | 10040800 | | LOCKWASHER |



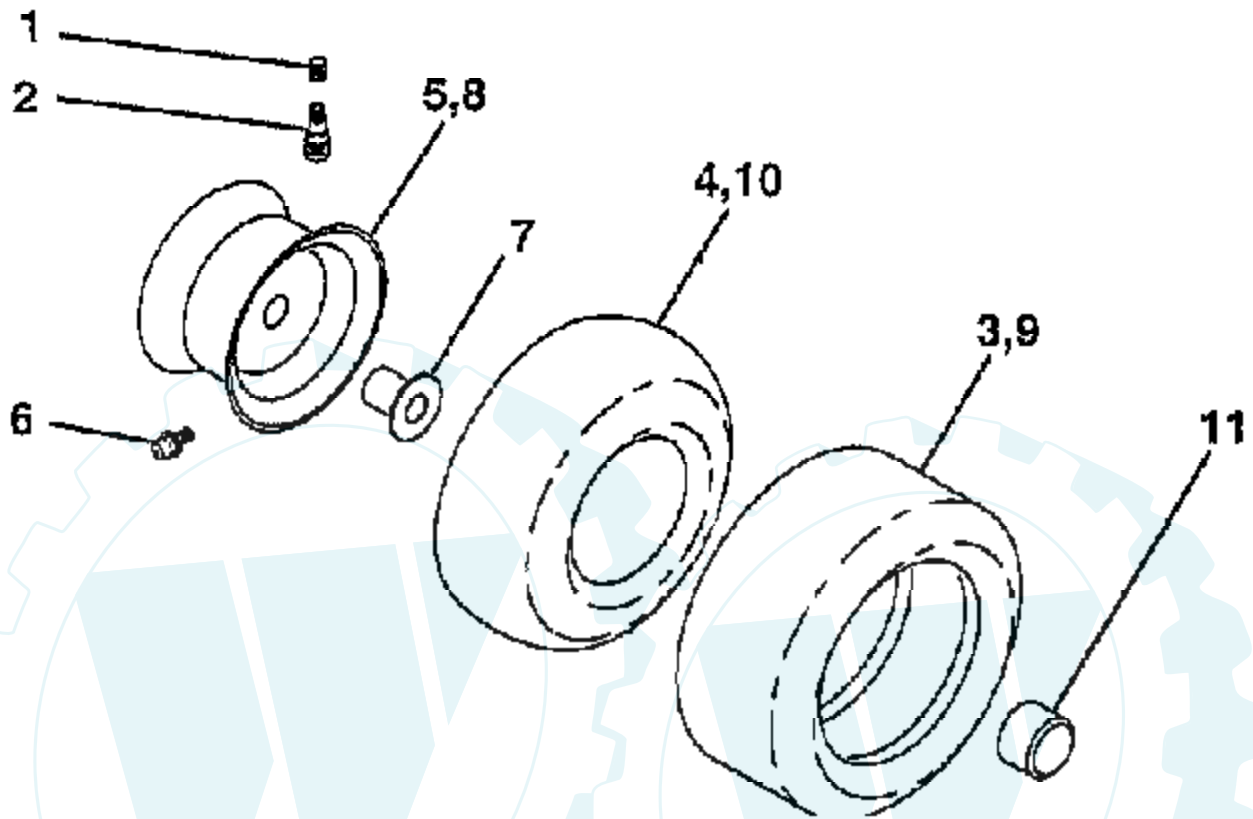
TRACTOR - - MODEL NUMBER WE185H42C

STEERING ASSEMBLY



| Ref # | Part Number | Qty | Description |
|-------|-------------|-----|---------------------|
| 1 | 140044 | | WHEEL STR AYP BLK |
| 2 | 154427 | | AXLE ASM |
| 3 | 156483 | | SPINDLE.ASM.LH |
| 4 | 157473 | | "SPINDLE ASM,RH" |
| 5 | 6266H | | WASHER .T |
| 6 | 121748X | | WASHER |
| 7 | 19272016 | | WASHER |
| 8 | 12000029 | | RING |
| 9 | 3366R | | COL. SRTG. BEAR. |
| 10 | 156438 | | DRAGLINK-STAMPED |
| 11 | 10040600 | | LOCKWASHER |
| 13 | 154779 | | BEARING AXLE |
| 15 | 73901000 | | "NUT-LOC,FLANGE LT" |
| 17 | 156546 | | SHAFT ASM STEERIN |
| 18 | 57079 | | THRUST WASHER |
| 19 | 124035X | | SUPPORT.SHAFT |
| 20 | 126684X | | SUB= 532126684 |
| 22 | 71200410 | | SCREW HEX SOC1/4- |
| 23 | 127501 | | SUB= 918127501 |
| 25 | 154406 | | BRKT-STEERING |
| 26 | 126847X | | BUSHING.DRAGLINK |
| 27 | 136874 | | GEAR SECTOR |
| 28 | 19131416 | | WASHER |
| 29 | 17490612 | | SCREW |
| 30 | 76020412 | | COTTER PIN |
| 32 | 130465 | | TIE ROD |
| 36 | 155099 | | BUSHING.STEERING |
| 37 | 152927 | | "SCREW-TT,10-32 FL" |
| 38 | 140045 | | CAP STEER AYP |
| 39 | 19133808 | | WASHER T |
| 40 | 7810H | | GRIPCO NUT |
| 41 | 100711L | | ADAPTER LT |
| 42 | 145054 | | BOOT.STEER.PL |
| 43 | 121749X | | WASHER |
| 44 | 153720 | | EXT SHAFT STEERIN |
| 46 | 121232X | | CAP |
| 47 | 6855M | | ZERK M |
| 51 | 73800500 | | NUT |
| 53 | 73680600 | | SUB= 73690600 |
| 54 | 74780520 | | BOLT |
| 62 | 156594 | | KIT STEERING ASM |
| 63 | 74780616 | | BOLT |
| 65 | 154780 | | SPACER AXLE |
| 66 | 154404 | | "BEARING-ARM,PITMA" |
| 67 | 74781044 | | BOLT |
| 68 | 154429 | | BRACE AXLE |
| 69 | 160367 | | "SPACER BRCAE,AXLE" |
| 70 | 74780636 | | BOLT.HEX.3/8-16X2 |

WHEELS & TIRES



NOTE: All component dimensions given in U.S. inches
1 inch = 25.4 mm

| Ref # | Part Number | Qty | Description |
|-------|-------------|-----|--------------------------|
| 1 | 59192 | | VALVE CAP |
| 2 | 65139 | | VALVE STEM LT |
| 3 | 106222X | | SUB= 122073X |
| 4 | 59904 | | TUBE.5.3/4.5/6 |
| 5 | 106732X427 | | "RIM ASM 6"" FRT" |
| 6 | 278H | | FITTING LT |
| 7 | 9040H | | "FLANGE, BEARING" |
| 8 | 106108X427 | | "RIM AS 8"" REAR" |
| 9 | 122082X | | SUB= 918122082X |
| 10 | 7152J | | TUBE.18X9.5-8 |
| 11 | 104757X | | HUB CAP |
| | 144334 | | SEALANT.TIRE 10 OZ. TUBE |

