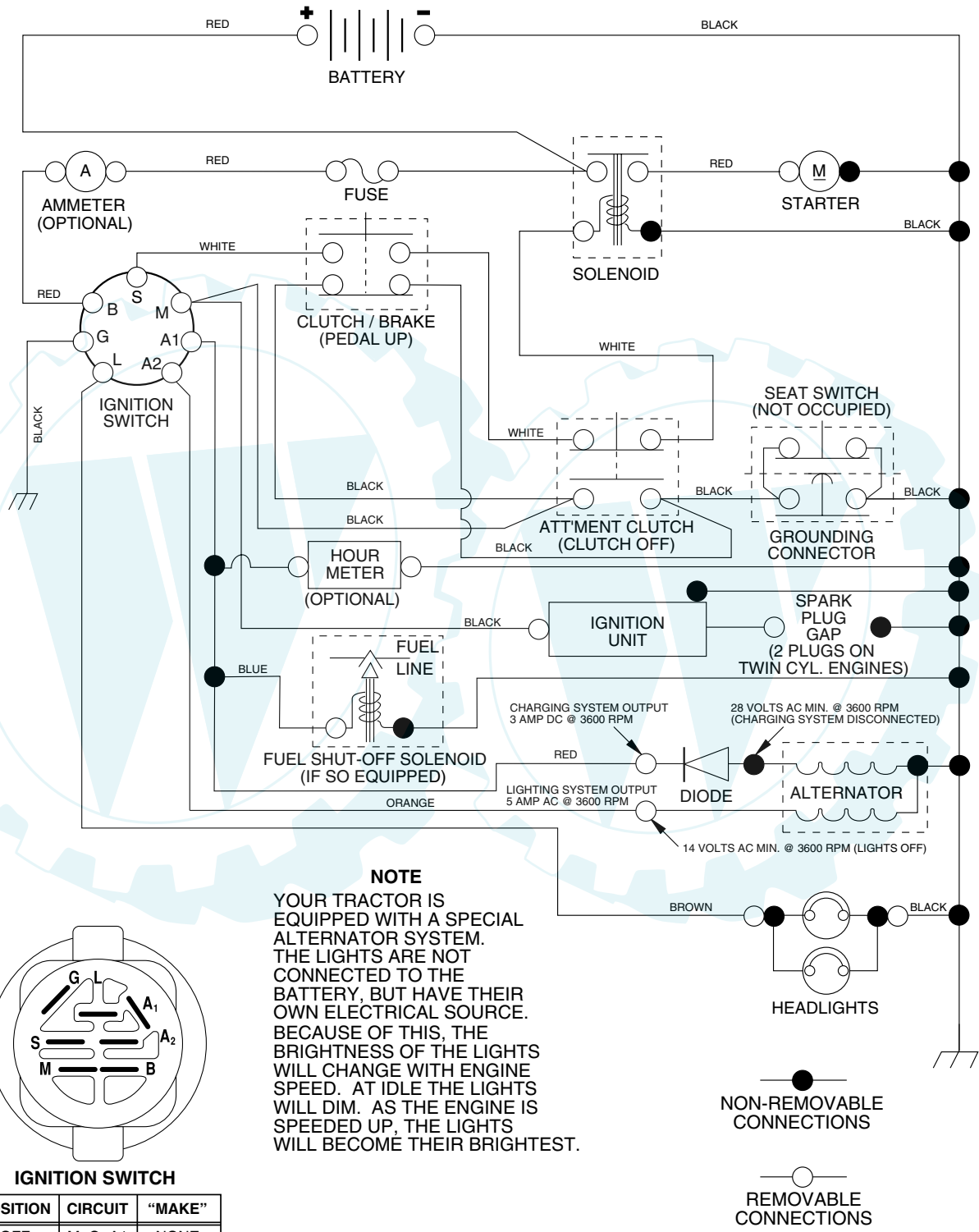


REPAIR PARTS

TRACTOR - - MODEL NUMBER WE18542F

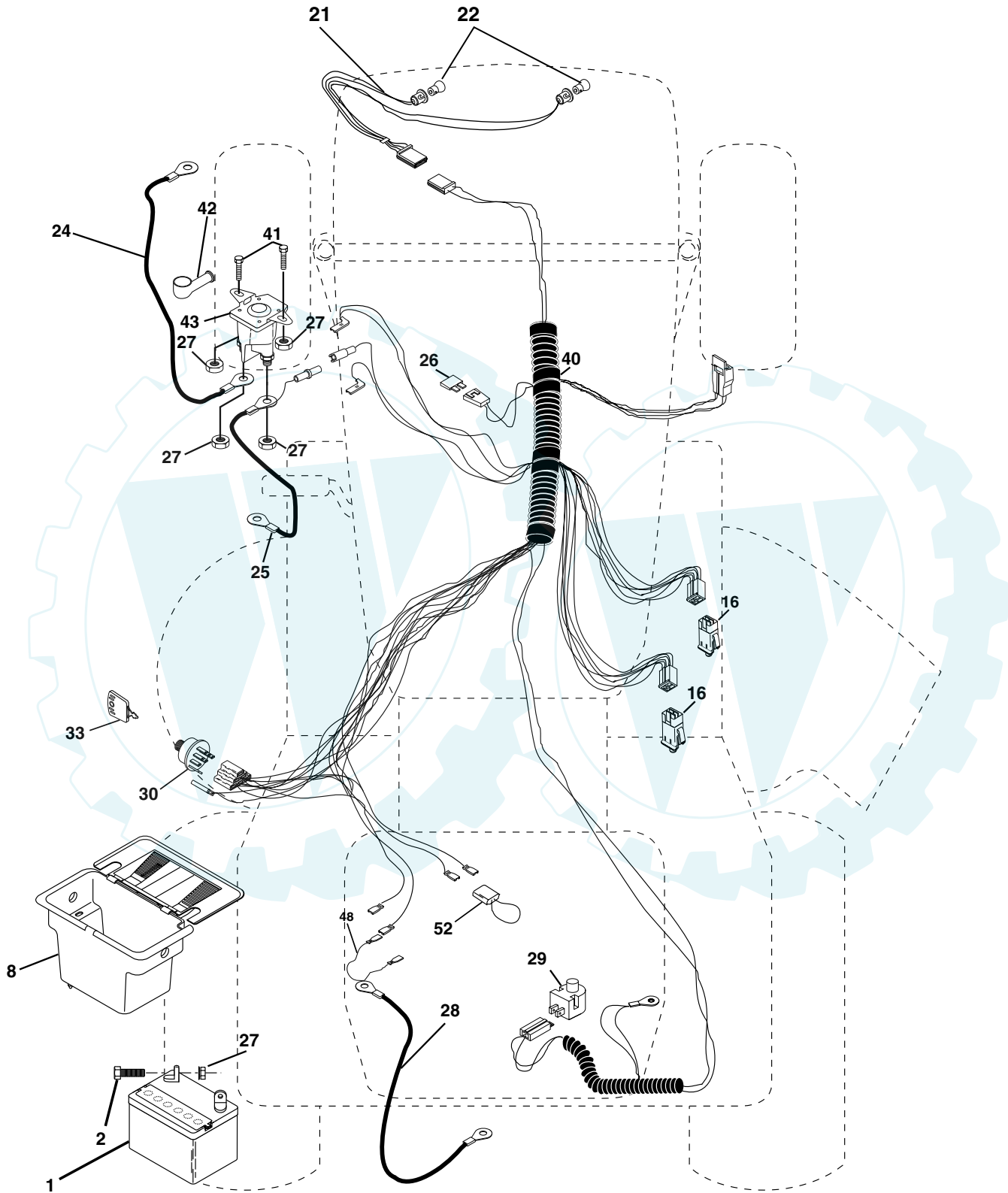
SCHEMATIC



REPAIR PARTS

TRACTOR - - MODEL NUMBER WE18542F

ELECTRICAL



TRACTOR - - MODEL NUMBER WE18542F

ELECTRICAL

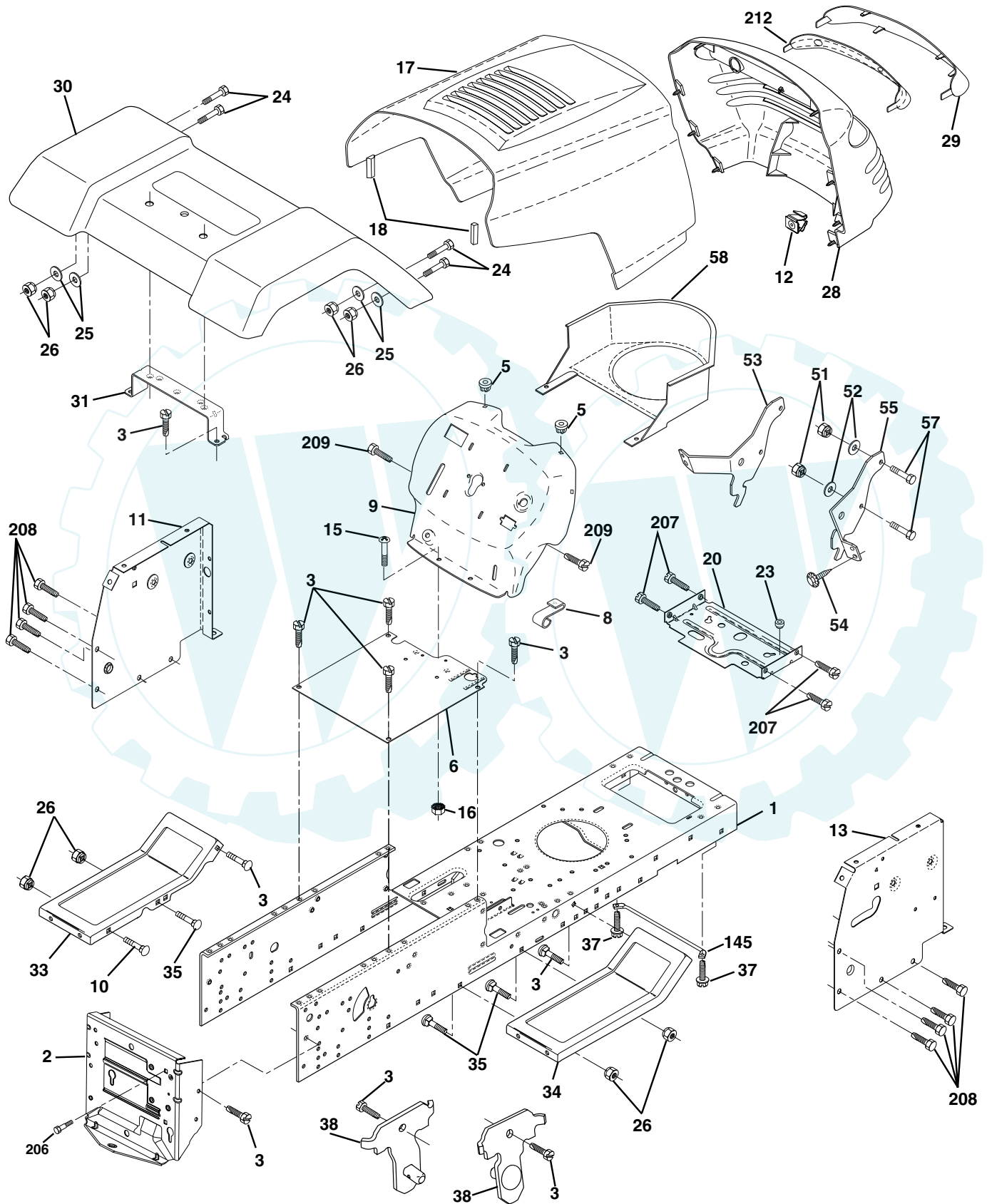
KEY NO.	PART NO.	DESCRIPTION
1	144925	Battery 12 Volt 25 Amp
2	74760412	Bolt Hex Hd 1/4-20unc X 3/4
8	156417	Case Battery
16	153664	Switch Interlock Push -In
21	166181	Harness Asm Light W/4152J
22	4152J	Bulb Light #1156
24	4799J	Cable Battery 6 Ga 11"red
25	146147	Cable Battery 6 Ga w/16 wire,red
26	166180	Fuse 15 AMP
27	73510400	Nut Keps Hex 1/4-20 unc
28	4207J	Cable Ground 6 Ga 12" black
29	121305X	Switch Plunger Nc Gray
30	163968	Switch Ign
33	140401	Key Ign
40	170217	Harness Ign
41	71110408	Bolt Blk Fin Hex 1/4-20 X 1/2
42	131563	Cover Terminal Red
43	145673	Solenoid
48	140844	Adaptor Ammeter Rectangular
52	141940	Protection Wire Loop

NOTE: All component dimensions give in U.S. inches
1 inch = 25.4 mm.

REPAIR PARTS

TRACTOR - - MODEL NUMBER WE18542F

CHASSIS AND ENCLOSURES



TRACTOR - - MODEL NUMBER WE18542F

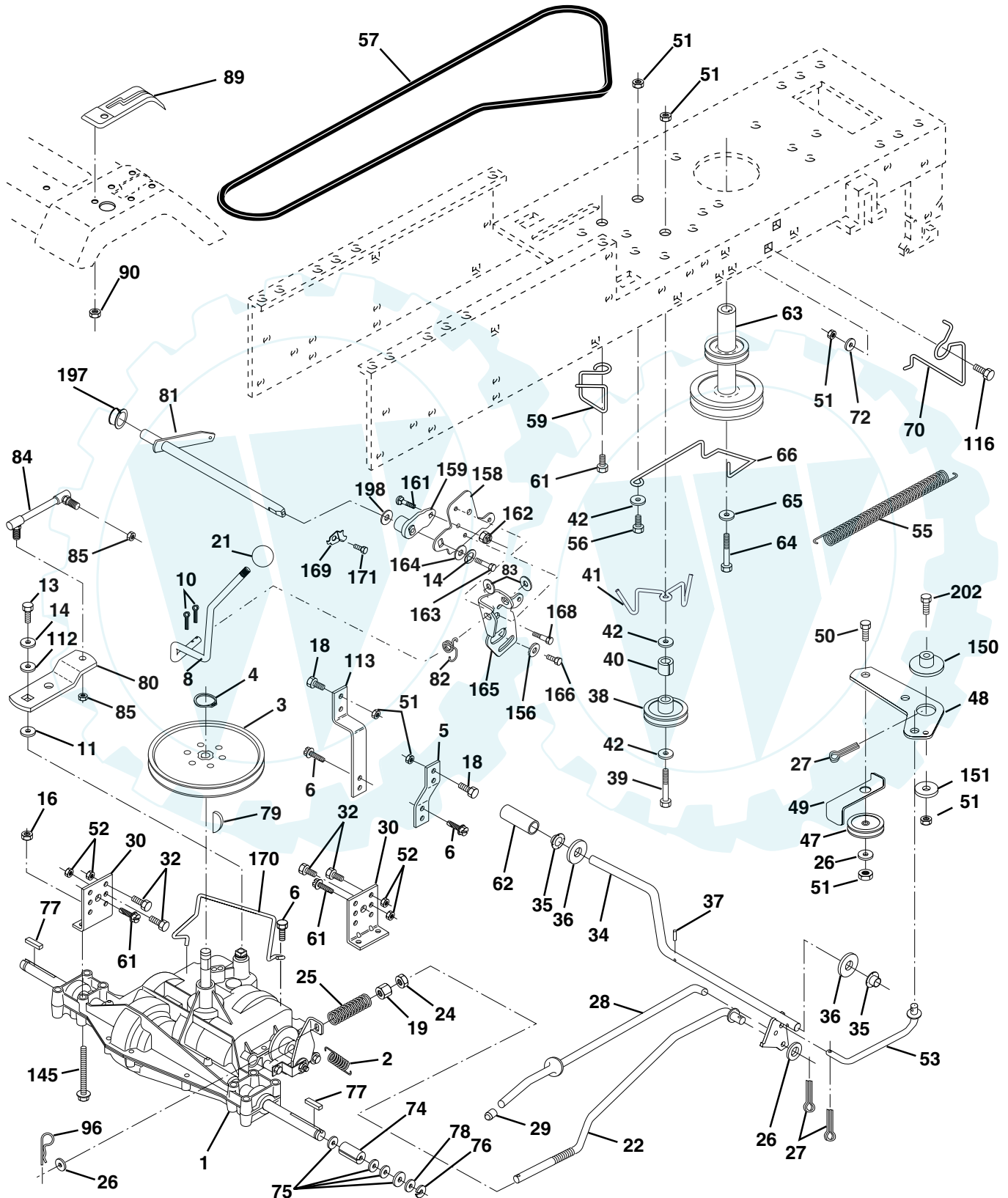
CHASSIS AND ENCLOSURES

KEY NO.	PART NO.	DESCRIPTION
1	169831	Chassis
2	169061	Drawbar
3	17060612	Screw 3/8-16 x 3/4
5	155272	BumperHood/Dash
6	155923	Saddle Flat Lt Fender Shift
8	155138	Clip Retainer Slide-On
9	168347X011	Dash
10	72140608	Bolt RdHd Sqnk. 3/8-16 Unc x 1
11	155927	Panel Asm. Dash Lh
12	145660	Clip Tinnerman Grile P/L
13	172107X010	Panel Dash Rh
15	74180512	Screw Mach Trhd 5/16-18 Unc x 3/4
16	73510500	Nut Keps 5/16-18 Unc
17	159639X550	Hood
18	126938X	Bumper Hood
20	156437	Plate Mtg Battery/Fuel Tank Fr
23	124028X	Bushing Snap Nyl Blk Fuel Line
24	74780616	Bolt Fin Hex 3/8-16 Unc x 1 Gr. 5
25	19131312	Washer 13/32 x 13/16 x 12 Ga.
26	73800600	Nut Lock Hex w/Insert 3/8-16 UNC
28	140434	Grill/Lens Asm
29	140273X599	Lens Grille Private label
30	169467X550	Fender Asm
31	136619	Bracket Fender
33	145244X550	Footrest Lh
34	145243X550	Footrest Rh
35	72110606	Bolt RdHd Sht. Sqnk. 3/8-16 x 3/4
37	17490508	Screw Thdrol 5/16-18 x 1/2 Tyt
38	169834	Bracket Asm. Pivot Mower Rear
51	73800400	Nut Lock Hex W/Ins. 1/4-20
52	19091416	Washer 9/32 x 7/8 x 16 Ga.
53	144697	Bracket Grille LH
54	161464	Screw Hex Wshd 8-18 x 7/8
55	144696	Bracket, Grille RH
57	74780412	Bolt Fin Hex 1/4-20 x .75
58	140547	Air Duct Private Label
145	156524	Rod Pivot Chassis/Hood
206	170165	Bolt shoulder 5/16-18
207	17670508	Screw Thdrol 5/16-18 x 1/2
208	17670608	Screw Thdrol 3/8-16 x 1/2
209	17000612	Screw Hex Wsh Thdrol 3/8-16
212	156229	Insert Lens Reflector
--	5479J	Plug Btn Blk

NOTE: All component dimensions given in U.S. inches
1 inch = 25.4 mm

TRACTOR - - MODEL NUMBER WE18542F

DRIVE



REPAIR PARTS

TRACTOR - - MODEL NUMBER WE18542F

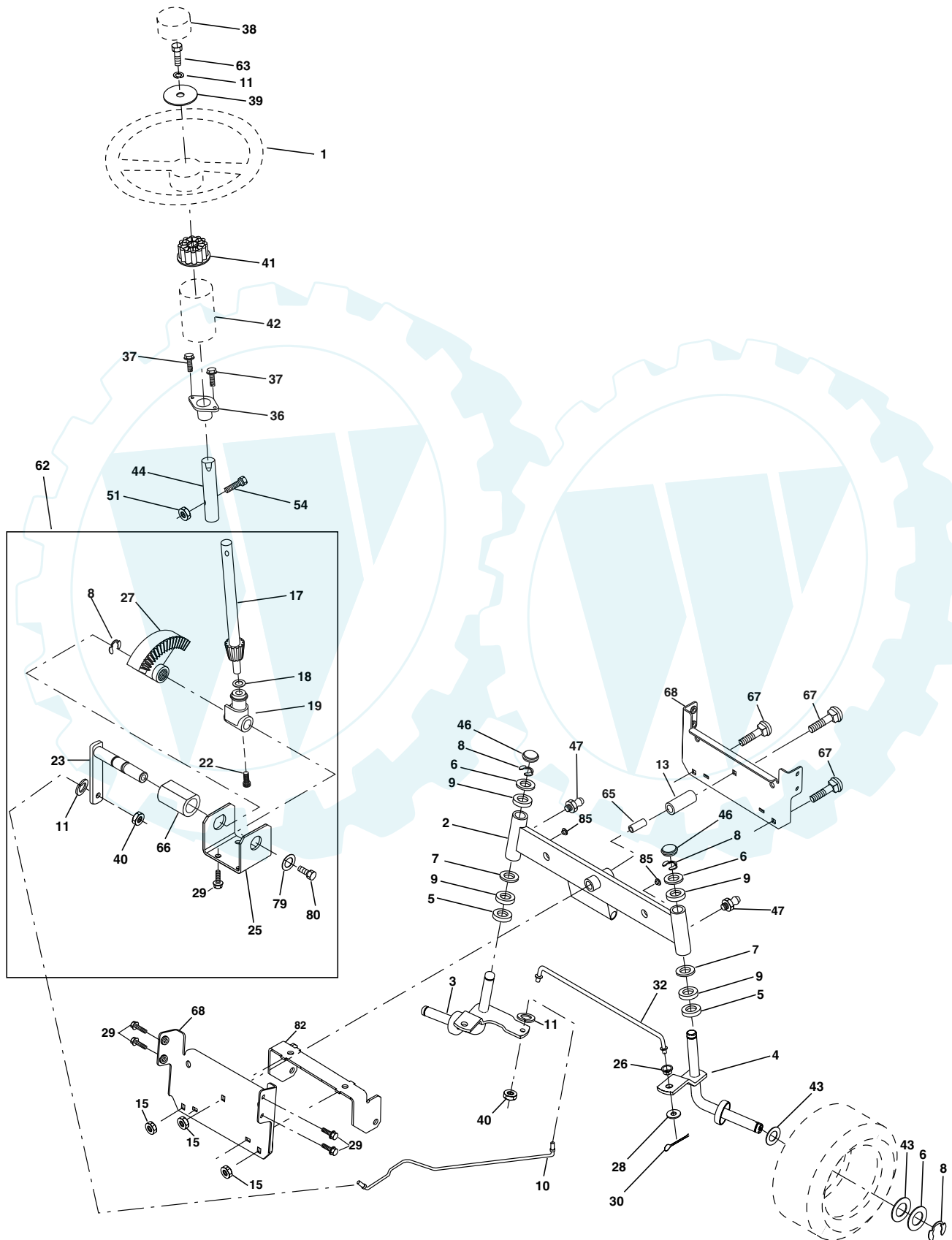
DRIVE

KEY NO.	PART NO.	DESCRIPTION	KEY NO.	PART NO.	DESCRIPTION
1	-----	Transaxle (See Breakdown)	62	8883R	Cover Pedal Blk Round
		Peerless 206-545C	63	140186	Engine Pulley LT/YT
2	146682	Spring Return Brake T/a Zinc	64	71170764	Bolt Hex
3	123666X	Pulley Transaxle 18" tires	65	10040700	Washer Lock Hvy Hlcl Spr 7/16
4	12000028	Ring Retainer # 5100-62	66	154778	Keeper Belt Engine Foolproof
5	121520X	Strap Torque 30 Degrees	70	134683	Guide Belt Mower Drive RH
6	17060512	Screw 5/16-18 X 3/4	72	19132012	Washer 13/32 X 1-1/4 X 12 Ga
8	165619	Rod Shifter Fender Adj Lt	74	137057	Spacer Axle
10	76020416	Pin Cotter 1/8 X 1 Cad	75	121749X	Washer 25/32 X 1 1/4 X 16 Ga
11	105701X	Washer Plate Shf 388 Sq Hole	76	12000001	E-ring #5133-75
13	74550412	Bolt 1/4-28 Unf Gr 8 W/Patch	77	123583X	Key Square 2 0 X 1845/ 1865
14	10040400	Washer Lock Hvy Helical 1/4	78	121748X	Washer 25/32 X 1-5/8 X 16 Ga
16	73800500	Nut Lock Hx W/Ins 5/16-18unc	79	2228M	Key Woodruff
18	74780616	Bolt, Fin Hex 3/8-16 UNC x 1 Gr. 5	80	145090	Arm Shift
19	73800600	Nut Lock 3/8-16 Unc	81	165592	Shaft Asm Cross Tapered 20"t
21	106933X	Knob	82	123782X	Spring Torsion T/a
22	130804	Rod Brake Blk Zinc 26 840	83	19171216	Washer 17/32 X 3/4 X 16 Ga
24	73350600	Nut Hex Jam 3/8-16 Unc	84	166231	Link Transaxle
25	106888X	Spring Rod Brake 2 00 Zinc	85	150360	Nut Lock Center 1/4 - 28 FNTHD
26	19131316	Washer 13/32 X 13/16 X 16 Ga	89	169372X428	Console Shift
27	76020412	Pin Cotter 1/8 X 3/4 Cad	90	124346X	Nut Self-thd Wsh-hd 1/4 Zinc
28	145204	Rod Brake Parking LT/YT	96	4497H	Retainer Spring
29	71673	Cap Brake Parking	112	19091210	Washer 9/32 x 3/4 x 10 Ga.
30	169592	Bracket Mtg Transaxle	113	127285X	Strap Torque Lh
32	74760512	Bolt Hex Hd 5/16-18unc X 3/4	116	72110610	Bolt Rdhd Sq Neck 3/8-16 x 1.25
34	155071	Shaft Asm Pedal Foot	145	74490540	Bolt Hex 5/16-18 Gr. 5
35	120183X	Bearing Nylon Blk 629 Id	150	165850	Bushing Bellcrank Grd. Drive
36	19211616	Washer 21/32 X 1 X 16 Ga	151	19133210	Washer 13/32 x 2 x 10
37	1572H	Pin Roll 3/16 X 1"	156	166002	Washer Srrted 5/16 ID x 1.125
38	131494	Pulley Idler Flat	158	165589	Bracket Shift Mount
39	74760644	Bolt Fin Hex 3/8-16unc X 2-3/4	159	165494	Hub Tapered Flange Shift It
40	4470J	Spacer Split 395 X 59 Bzp	161	72140406	Bolt Rdhd Sqnk 1/4-20 x 3/4 Gr 5
41	165838	Keeper Belt Retainer Idler	162	73680400	Nut Crownlock 1/4-20 Unc
42	19131312	Washer 13/32 X 13/16 X 12 Ga	163	74780416	Bolt Hex Fin 1/4-20 Unc x 1 Gr 5
47	127783	Pulley Idler V Groove Plastic	164	19091010	Washer 5/8 x .281 x 10 Ga
48	154407	Bellcrank Asm	165	165623	Bracket Pivot Lever
49	123205X	Retainer Belt Style Spring	166	166880	Screw 5/16-18 x 5/8
50	74760624	Bolt Hex Hd 3/8-16unc X 1-1/2	168	165492	Bolt Shoulder 5/16-18 x .561
51	73680600	Nut Crownlock 3/8-16 Unc	169	165581	Plate Fastening Lt
52	73680500	Nut Crownlock 5/16-18 Unc	170	173898	Keeper Belt Transaxle Pmst/Dana
53	105710X	Link Clutch	171	17490608	Screw Thdrol 3/8-16 x 1/2 TY-TT
55	105709X	Spring Return Clutch 6 75	197	169613	Nyliner Snap-In
56	74760620	Bolt Fin Hx 3/8-16 X 1-1/4	198	169593	Washer Nyliner
57	130801	V-Belt Ground Drive	202	72110612	Bolt Carr. Sh 3/8-16 x 1-1/2 Gr. 5
59	169691	Keeper Belt Span Ctr			
61	17060612	Screw 3/8-16x3/4			

NOTE: All component dimensions given in U.S. inches
1 inch = 25.4 mm

TRACTOR - - MODEL NUMBER WE18542F

STEERING ASSEMBLY



TRACTOR - - MODEL NUMBER WE18542F

STEERING ASSEMBLY

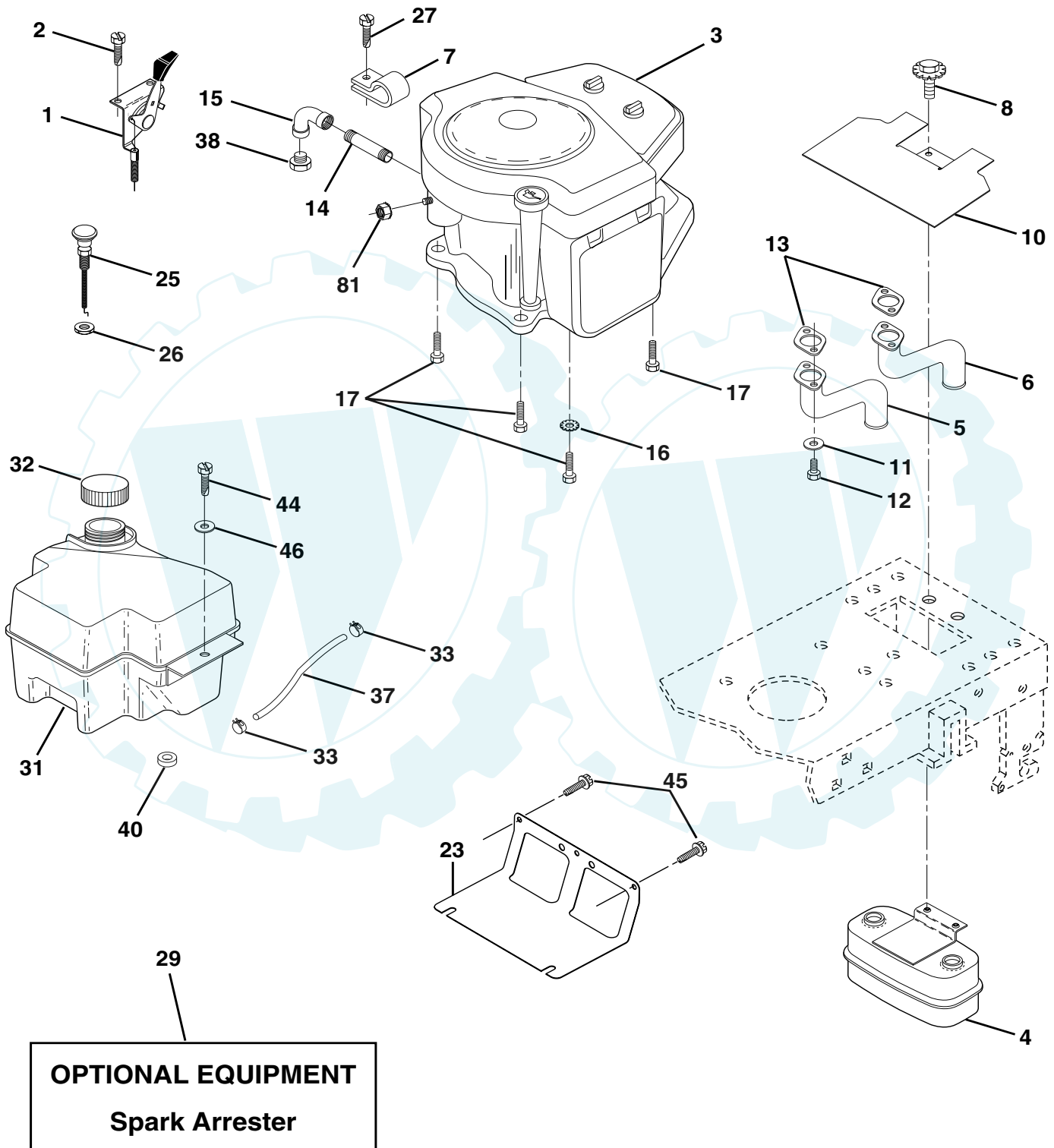
KEY NO.	PART NO.	DESCRIPTION
1	140044	Wheel Steering Auto Black
2	154427	Axle Asm Front
3	169840	Spindle Asm Lh
4	169839	Spindle Asm Rh
5	6266H	Bearing Race Thrust Harden
6	121748X	Washer 25/32 X 1 5/8 X 16ga
7	19272016	Washer 27/32 X 1 1/4 X 16 Ga
8	12000029	Ring Klip #t5304-75
9	3366R	Bearing Col Strg Blk
10	169832	Link Drag Extended
11	10040600	Lockwasher
13	136518	Spacer Bearing Axle Front
15	145212	Hex Flange Lock
17	156546	Shaft Asm Strg 5/8 X 15 19 Lt
18	57079	Washer Thrust 515x 750x 033
19	160395	Support Shaft
22	165857	Screw Hex Wsh Hd Torx
23	165851	Shaft Asm Pittman
25	154406	Bracket Steering
26	126847X	Bushing Rod Tie Blk Lt
27	136874	Gear Sector
28	19131416	Washer 13/32 X 7/8 X 16ga
29	17060612	Screw 3/8-16x3/4
30	76020412	Pin
32	130465	Rod Tie Wire Form 19 75 Mech
36	155099	Bushing Strg 5/8 Id Dash
37	152927	Screw TT #10-32 x 5 x 3/8 Flange
38	140045	Insert Cap Strg
39	19133812	Washer 13/32 x 2-3/8 x 12Ga
40	7810H	Locknut Center
41	100711L	Adaptor Wheel Strg 640/ 635id
42	145054X428	Boot Dash Steering
43	121749X	Washer 25/32 X 1 1/4 X 16 Ga
44	153720	Extension Steering Non-Adjust
46	121232X	Cap Spindle Fr Top Blk
47	6855M	Fitting Grease
51	73800500	Nut Lock Hex W/Ins.
54	74780520	Bolt Fin Hex 5/16-18 Unc P
62	167902	Kit Steering Assembly Service
63	74780616	Bolt Fin Hex 3/8-16unc x Gr. 5
65	160367	Spacer Brace Axle
66	154404	Bearing Arm Pittman
67	72140618	Bolt Rdhd Sq 3/8-16 Unc x 2-3/4
68	169827	Brace Axle
79	19132012	Washer 13/32 x 1-1/4 x 12 Ga
80	74950612	Bolt Hex Nylon 3/8-16 x 3/4
82	169835	Bracket Susp Chassis Front
85	133835	Fastener Christmas Tree

NOTE: All component dimensions given in U.S. inches
1 inch = 25.4 mm

REPAIR PARTS

TRACTOR - - MODEL NUMBER WE18542F

ENGINE



REPAIR PARTS

TRACTOR - - MODEL NUMBER WE18542F

ENGINE

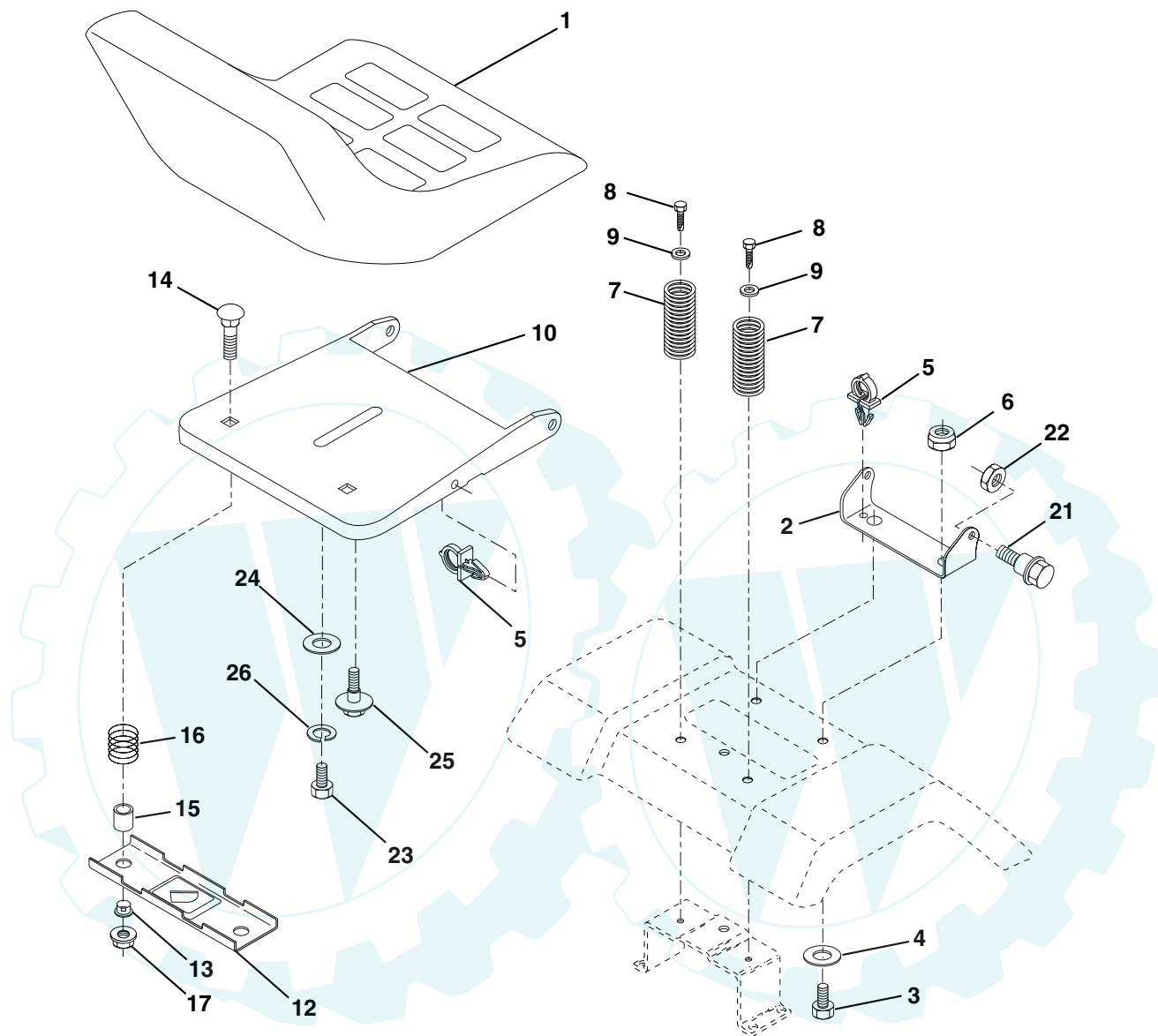
KEY NO.	PART NO.	DESCRIPTION
1	141295	Control Th LH Flag 35.5
2	17720410	Screw Hex Thd Cut 1/4-20x5/8 T
3	-----	Engine Briggs Model 42D707 (Order parts from engine mfg.)
4	149723	Muffler Exhaust
5	144069	Exhaust Asm. Left
6	144068	Exhaust Asm Right
7	138129	Clamp Tube Double Engine
8	150176	Bolt 5/16-18 UNC x 3/4 W/Sems
10	145552	Heat Shield LT
11	10040400	Washer Lock Hvy. Helical 1/4(order from engine mfg.)
12	74780412	Bolt Fin Hex 1/4-20 x 3/4(order from engine mfg.)
13	165287	Gasket Muffler(order from engine mfg.)
14	13280336	Nipple Pipe 3/8 Npt X 3"
15	13200300	Elbow Std 90 Degree 3/8-18 Npt
16	11050600	Washer Lock Ext Tooth 3/8
17	17490624	Screw Thdrol 3/8-16 x 1-1/2 Tytt
23	169837	Shield Browning/Debris Guard
25	145996	Control Choke
26	73920600	Nut Keps 3/8-24 UNF
27	152927	Screw TT Flange
29	137180	Kit Spark Arrestor (Flat Scrn)
31	161911	Tank Fuel Front
32	140527	Cap Asm Fuel
33	123487X	Clamp Hose
37	137040	Line Fuel
38	-----	Oil Drain Plug (Order From Engine Mfg)
40	124028X	Bushing Snap Nyl Blk Fuel Line
44	17670412	Screw Hexwsh Thdrol 1/4-20 x 3/4
45	17000612	Screw Hex Wsh Thdrol 3/8-16 x 3/4
46	19091416	Washer 9/32 x 7/8 x 16 Ga.
81	73510400	Nut Keps Hex 1/4-20 Unc

NOTE: All component dimensions given in U.S. inches
1 inch = 25.4 mm

REPAIR PARTS

TRACTOR - - MODEL NUMBER WE18542F

SEAT ASSEMBLY



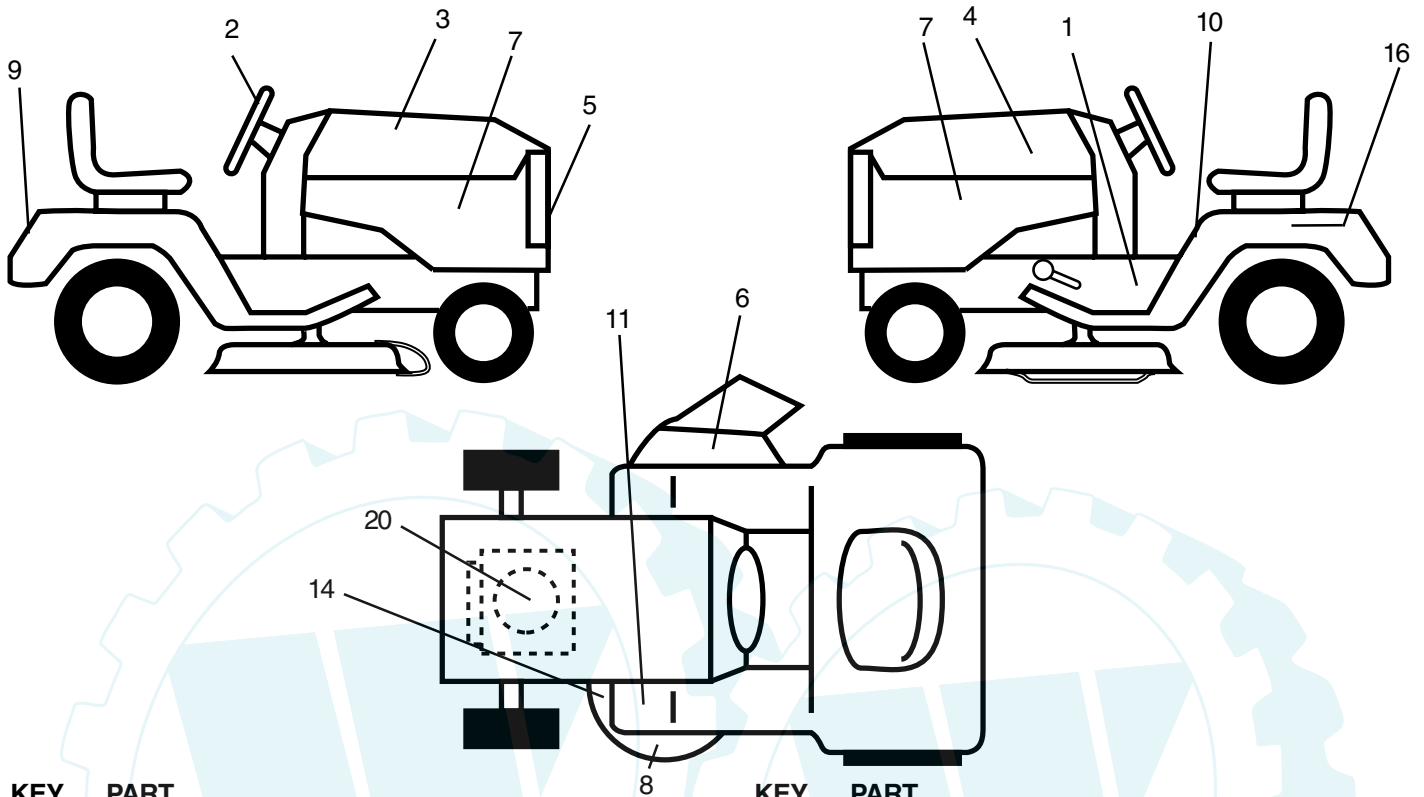
KEY NO.	PART NO.	DESCRIPTION
1	127427	Seat
2	140551	Bracket Pnt Pivot Seat (blk)
3	71110616	Bolt
4	19131610	Washer 13/32 x 1 x 10 Ga
5	145006	Clip Push-In Hinged
6	73800600	Nut
7	124181X	Spring Seat Cprsn 2 250 Blk Zi
8	17000616	Screw 3/8-16 x 1.5
9	19131614	Washer 13/32 x 1 x 14 Ga
10	155925	Pan Pnt Seat (blk)
12	121246X	Bracket Pnt Mounting Switch
13	121248X	Bushing Snap Blk Nyl 50 Id

KEY NO.	PART NO.	DESCRIPTION
14	72050412	Bolt Rdhd Sht Nk 1/4-20 x 1-1/2
15	134300	Spacer Split 28 x 96 Yel Zinc
16	121250X	Spring Cprsn 1 27 Blk Pnt
17	123976X	Nut Lock 1/4 Lge Flg Gr 5 Zinc
21	171852	Bolt Shoulder 5/16-18 Unc Blkz-2A
22	73800500	Nut
23	71110814	Bolt Hex Black
24	19171912	Washer 17/32 x 1-3/16 x 12 Ga
25	127018X	Bolt Shoulder 5/16-18 x 62
26	10040800	Lockwasher

NOTE: All component dimensions given in U.S. inches
1 inch = 25.4 mm

TRACTOR - - MODEL NUMBER WE18542F

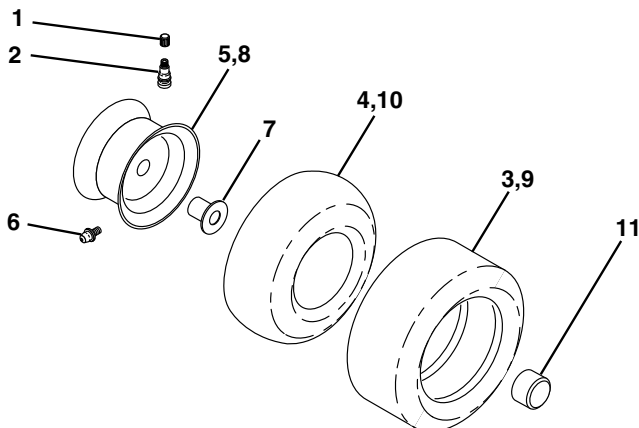
DECALS



KEY NO.	PART NO.	DESCRIPTION
1	157163	Decal Instruction Operat English
2	162398	Decal Ins Strg Wh
3	162389	Decal Hood Rh
4	162390	Decal Hood Lh
5	162392	Decal Grille Logo
6	137259	Decal, Warning
7	162394	Decal Panel Side
8	162391	Decal Deck Grasseater
9	171448	Decal Fender Logo

KEY NO.	PART NO.	DESCRIPTION
10	157140	Decal Danger English
11	101892X	Decal Clutch/brake English
14	160396	Decal V-belt Schematic 42"
16	145005	Decal Battery Danger/Poison
20	170847	Decal HP Engine
--	157199X428	Pad Footrest
--	138311	Decal Lift Handle
--	174833	Manual Owner's English
--	174834	Manual Owner's French

WHEELS & TIRES



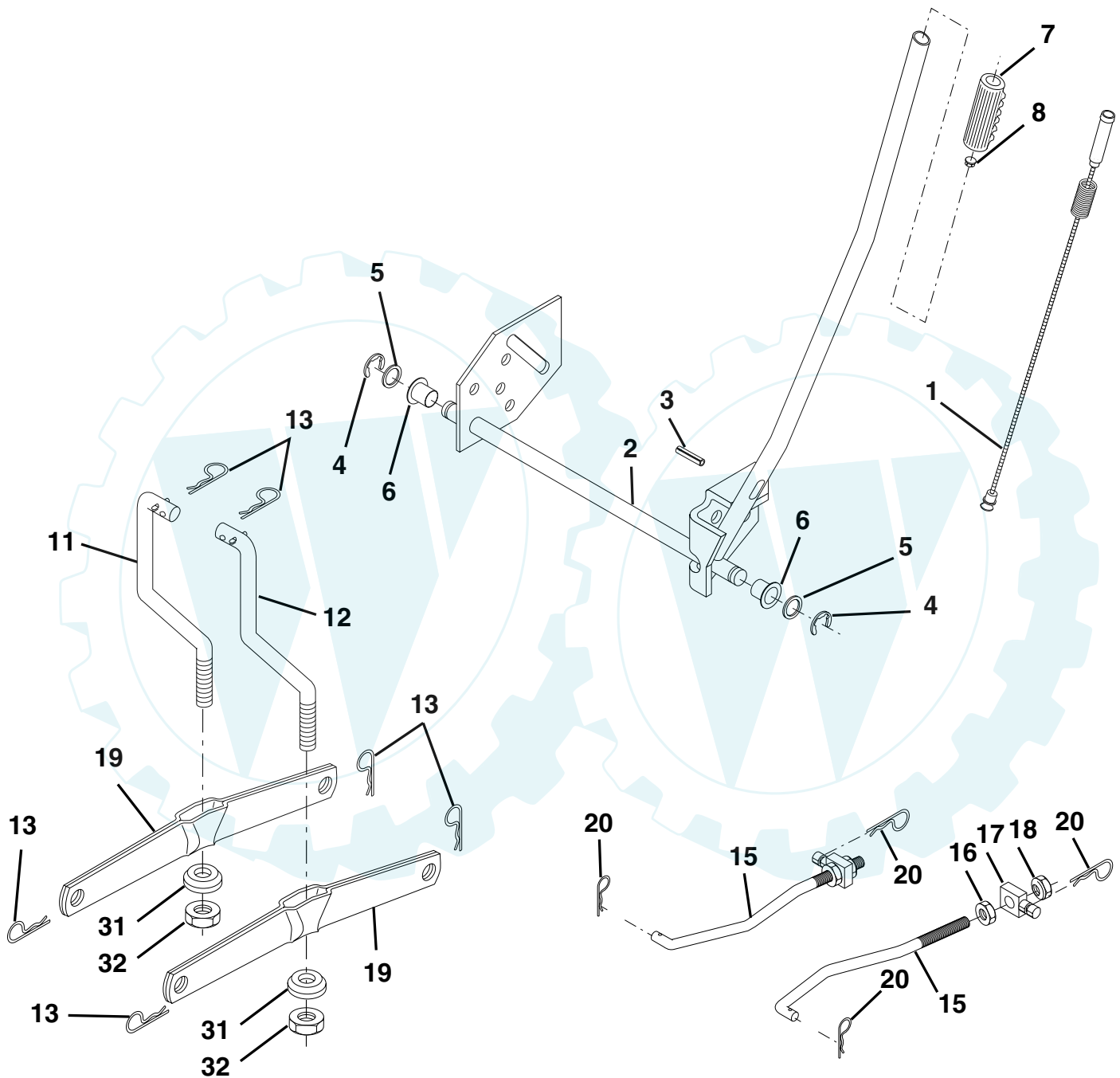
KEY NO.	PART NO.	DESCRIPTION
1	59192	Cap Valve Tire
2	65139	Stem Valve
3	106222X	Tire F Ts 15 X 6 0 - 6 Service
4	59904	Tube Front (Service Item Only)
5	106732X427	Rim Asm 6"front White Service
6	278H	Fitting Grease (Front Wheel Only)
7	9040H	Bearing Flange (Front Wheel Only)
8	106108X427	Rim Asm 8"rear White Service
9	138468	Tire R Ts 20x8-8 C Service
10	7152J	Tube Rear (Service Item Only)
11	104757X	Cap Axle Blk 1 50 X 1 00
--	144334	Sealant, Tire (10 oz. Tube)

NOTE: All component dimensions given in U.S. inches
1 inch = 25.4 mm

REPAIR PARTS

TRACTOR - - MODEL NUMBER WE18542F

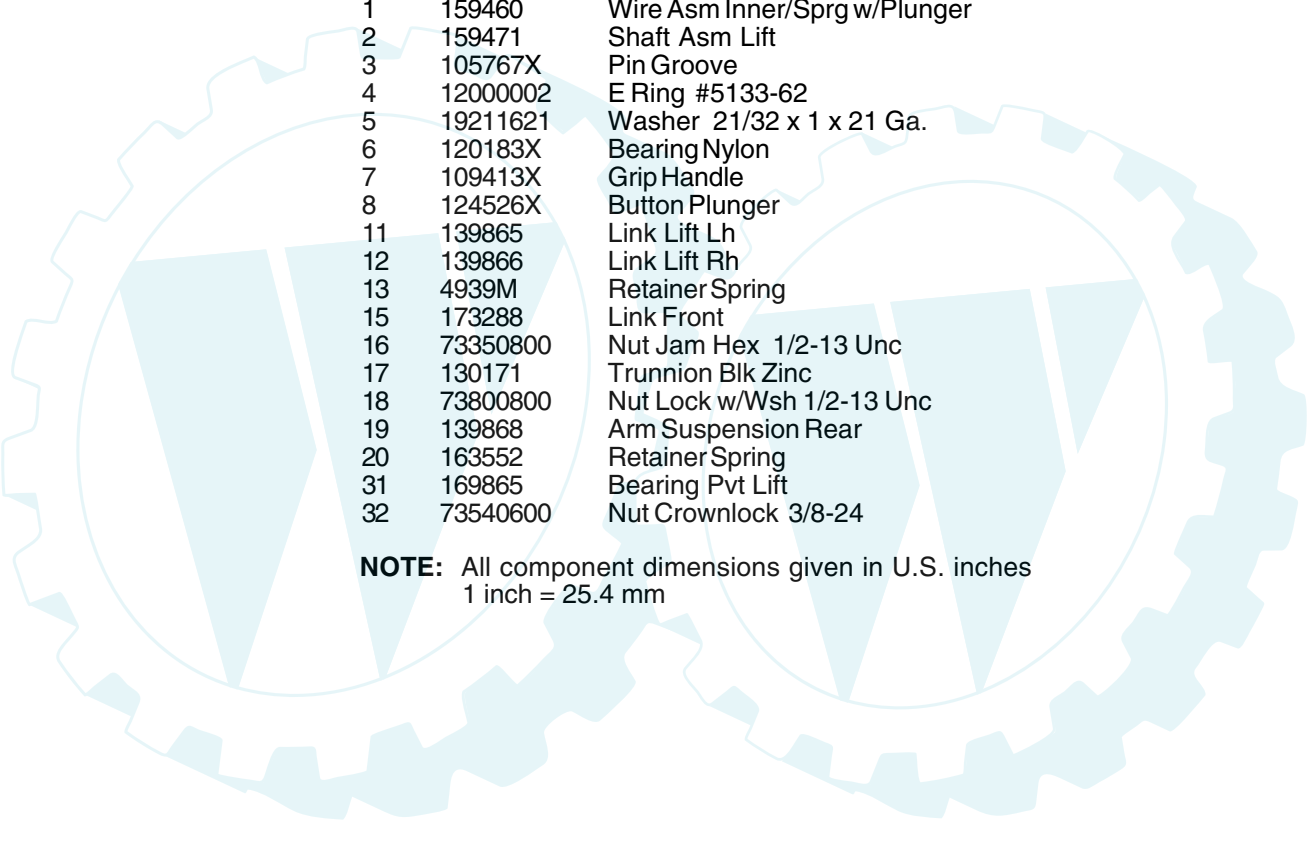
MOWER LIFT



REPAIR PARTS

TRACTOR - - MODEL NUMBER WE18542F

MOWER LIFT



KEY NO.	PART NO.	DESCRIPTION
1	159460	Wire Asm Inner/Sprg w/Plunger
2	159471	Shaft Asm Lift
3	105767X	Pin Groove
4	12000002	E Ring #5133-62
5	19211621	Washer 21/32 x 1 x 21 Ga.
6	120183X	Bearing Nylon
7	109413X	Grip Handle
8	124526X	Button Plunger
11	139865	Link Lift Lh
12	139866	Link Lift Rh
13	4939M	Retainer Spring
15	173288	Link Front
16	73350800	Nut Jam Hex 1/2-13 Unc
17	130171	Trunnion Blk Zinc
18	73800800	Nut Lock w/Wsh 1/2-13 Unc
19	139868	Arm Suspension Rear
20	163552	Retainer Spring
31	169865	Bearing Pvt Lift
32	73540600	Nut Crownlock 3/8-24

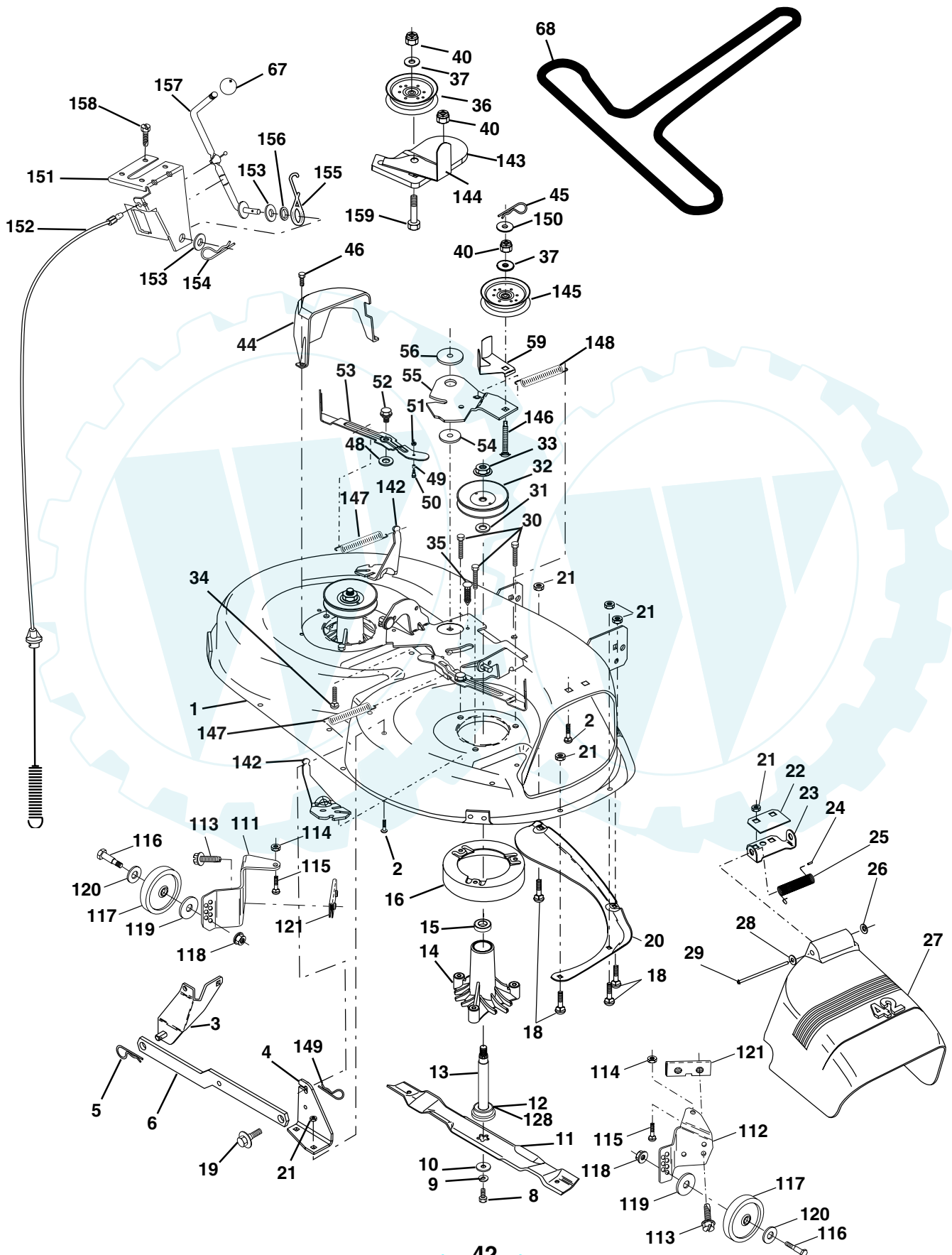
NOTE: All component dimensions given in U.S. inches
1 inch = 25.4 mm

REPAIR PARTS

www.ersatzteil-service.de

TRACTOR - - MODEL NUMBER WE18542F

MOWER DECK



TRACTOR - - MODEL NUMBER WE18542F

MOWER DECK

KEY NO.	PART NO.	DESCRIPTION	KEY NO.	PART NO.	DESCRIPTION
1	165892	Mower Deck Assembly, 42"	53	131845	Arm Assembly, Pad, Brake
2	72140506	Bolt	54	133943	Washer, Hardened
3	138017	Bracket Asm Fr. Sway Bar 3/42	55	155046	Arm, Idler
4	165460	Bracket Asm Deck 42" Sway Bar	56	165723	Spacer, Retainer
5	4939M	Retainer Spring	59	141043	Guard TUV Idler
6	130832	Arm, Suspension, Rear	67	106932X	Knob
8	850857	Bolt 3/8-24 x 25 Grade 8 patched	68	144959	V-Belt, 42" Mower
9	10030600	Washer, Lock	111	155197	Bracket Gauge Wheel Lh
10	140296	Washer, Hardened	112	155198	Bracket Gauge Wheel Rh
11	138498	Blade	113	17060512	Screw 5/16-18 x 3/4
12	129895	Bearing, Ball #6204	114	73510500	Nut Keps 5/16-18unc
13	137645	Shaft Assembly, Mandrel, Vented	115	72110514	Bolt Carr 5/16-Unc x 1/2
14	128774	Housing, Mandrel, Vented	116	4898H	Bolt Shld
15	110485X	Bearing, Ball, Mandrel	117	105455X	Wheel Gauge Blk
16	140329	Stripper, Vented Mower Deck	118	73930600	Nut Centerlock 3/8-16unc
18	72140505	Bolt, Carriage 5/16-18 x 5/8	119	19121414	Washer 3/8 x 7/8 x 14 Ga.
19	132827	Bolt, Shoulder	120	19171512	Washer 17/32 x 15/16 x 12 Ga.
20	159770	Baffle, Vortex	121	143723	Bracket Extruded Gauge Wheel
21	73680500	Nut	128	153390	Washer, Felt
22	134753	Stiffener Bracket	142	165890	Arm Spring Brake Mower
23	131267	Bracket, Deflector Mower 42"	143	157109	Bracket Arm Idler 42"
24	105304X	Cap, Sleeve 80 x 112 Blk Mower	144	158634	Keeper Belt 42" Clutch Cable
25	123713X	Spring, Torsion, Deflector 2 52	145	165888	Pulley Idler Flat
26	110452X	Nut, Push Phos & Oil	146	165891	Bolt Carriage Idler
27	130968X428	Shield, Deflector 42" Blk	147	131335	Spring Extension
28	19111016	Washer 11/32 x 5/8 x 16 Gauge	148	169022	Spring Return Idler
29	131491	Rod, Hinge 42" 6 75 W/G	149	165898	Retainer Spring Yellow
30	157722	Screw Thdrol Washer Head	150	19091216	Washer 9/32 x 3/4 x 16 Ga.
31	129963	Washer, Spacer Mower Vented	151	169670	Bracket Clutch Cable
32	153535	Pulley, Mandrel	152	169676	Clutch Cable 42"
33	137266	Nut, Toplock 9/16	153	169674	Washer Flat 3/8" Type B
34	72110614	Bolt	154	169675	Spring Retainer
35	133835	Fastener, Christmas Tree	155	169671	Spring Retention LVR CLTCH CAB
36	131494	Pulley, Idler, Flat	156	169672	Spacer Clutch Cable
37	19131316	Washer 13/32 x 13/16 x 16 Gauge	157	169669	Rod Clutch Cable 3/8"
40	73680600	Nut	158	17720410	Screw Hex Thd Cut 1/4-20 x 5/8
44	140088	Guard, Mandrel, LH	159	72140614	Bolt Rdhd Sqn 3/8-16 UNC x 1-3/4
45	4497H	Retainer	--	130794	Mandrel Assembly (Includes Key Numbers 8-10, 12-15, 31 and 33)
46	137729	Screw, Thdrol 1/4-20 x 5/8 T	--	171491	Mower Deck, Complete (Standard Deck)
48	133944	Washer, Hardened			
49	155066	Roller Assembly, Cam Follower			
50	131340	Bolt, Shoulder #10-24 Grade 5			
51	69180	Locknut			
52	139888	Bolt, Shoulder 5/16-18 UNC			

NOTE: All component dimensions given in U.S. inches
1 inch = 25.4 mm