

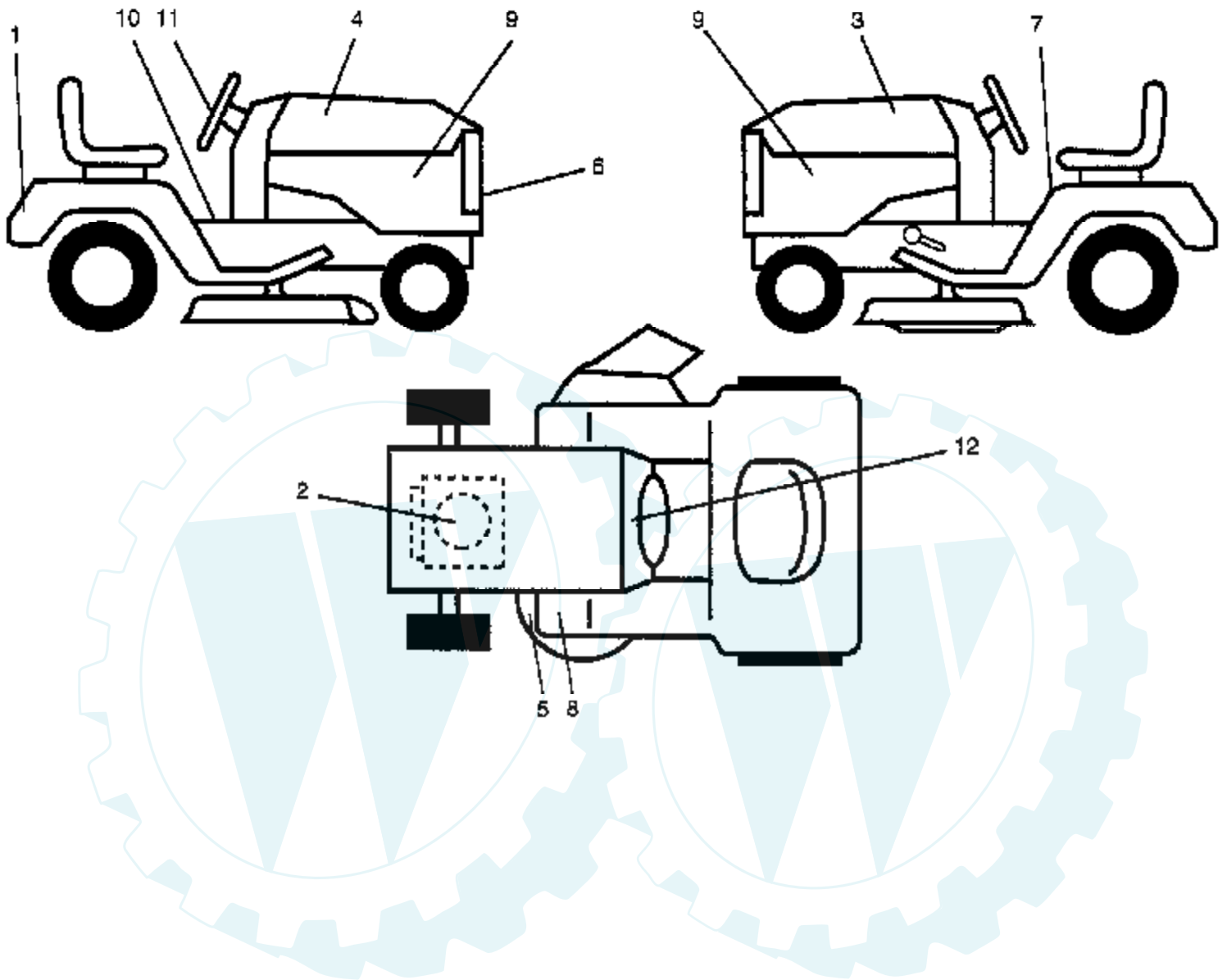
Ref #	Part Number	Qty	Description
1	140341		SUB= 145501
2	123785X		DRAW BAR
3	17490612		SCREW
6	127543		SUB= 127543X011
7	17490612		SCREW
8	2751R		CLIP T
9	136696		SUB= 145203
10	8022J		PLUG-DASH T
11	138643		PANEL.DASH.RH
15	74180412		SCREW
16	73510500		NUT
17	123801X419		HOOD
19	110898X		LENS T
20	132257		SUB= 918132257
21	124201X		SCREW SPECIAL
22	108067X		PAL NUT LT
23	74780616		BOLT
24	74760612		SUB= 74780612
25	19131312		WASHER
26	73800600		NUT
27	17490608		SCREW LT
30	140002X419		FENDER.RALLY.GRN.
31	137713		BRACKET FENDER
32	17490612		SCREW
33	105465X419		SUB= 145244X419
34	105464X419		FOOTREST RH
35	72110606		BOLT
36	73800600		NUT
37	133671		FOOTREST PAD
38	139886		BRACKET ASM LH
39	139887		BRACKET ASM RH
41	74760616		BOLT
42	139915		BRACKET.ASM.SUPT.
43	73680600		SUB= 73690600
45	126471X		"CLIP,INSULATOR"
50	73800600		NUT
51	19111116		WASHER
52	121236X		SPACER
53	72140608		SUB= 72110608
54	17490508		SCREW LT
55	74760532		BOLT
56	105663X		SUPPORT-SADDL T
57	105664X		SUPPORT.SADDLE.FT
59	110350X419		"STRAP,GRILL"
60	140671		GRILLE ASM WELD
61	123674X419		ASSY RH PANEL
62	123765X419		SIDE PANEL LH
64	105518X		DASH-LOWER YT
65	140941X011		PLATE SLKSC YT/ "BAFFLE,HOOD"
66	124046X		
69	140181		PLATE.SUPT.BATTER
76	137467		BRACKET.RH
77	137466		BRACKET.LH
78	109458X		FOAM STRIP T
79	73800500		NUT
80	74180512		SCREW
81	73510500		NUT
82	19131614		WASHER

Ref #	Part Number	Qty	Description
87	110436X		SUB= 9151R
92	73800600		NUT
111	142992		STOP.OVER.CENTER
112	72240608		BOLT
113	19131612		WASHER GT
114	120579X		PAL NUT
115	140675		STRAP ASM FENDER
116	105531X		NUT-PUSH YT

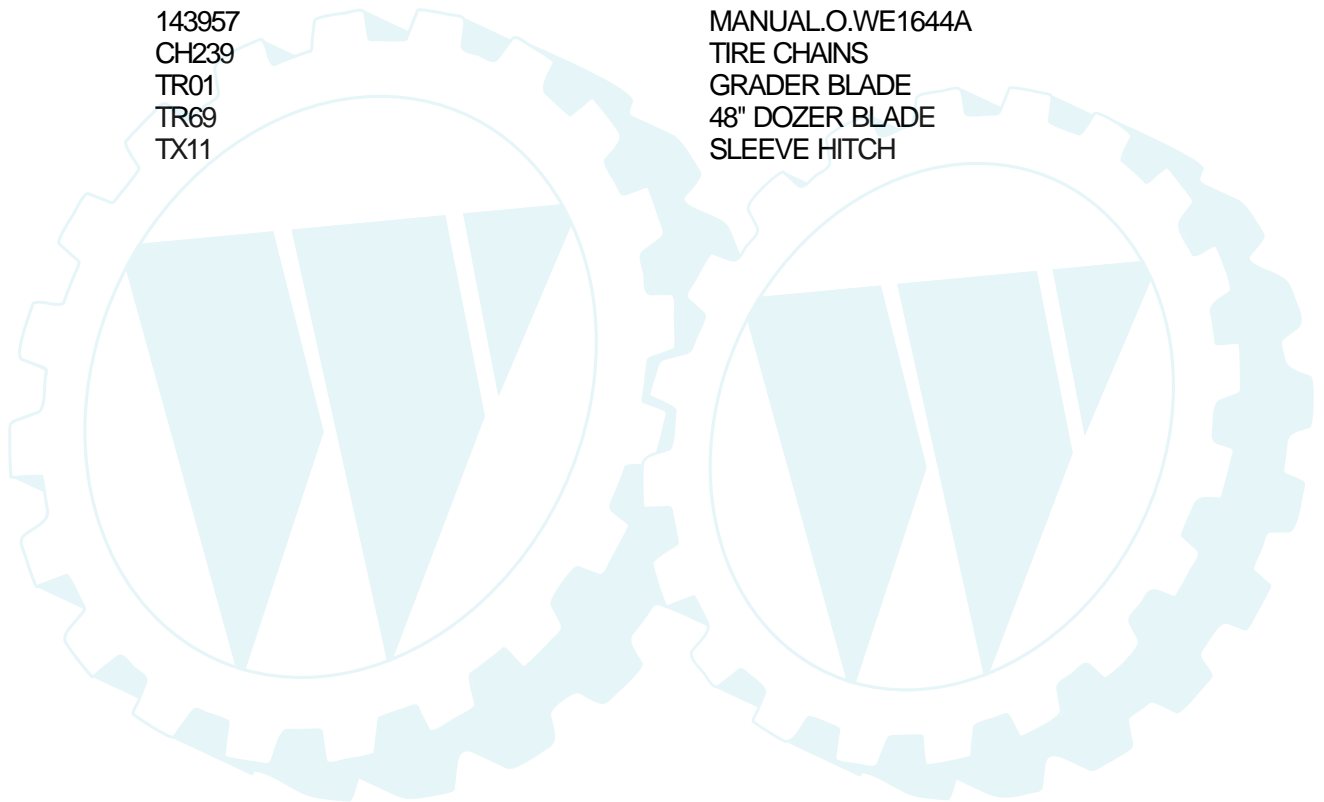


16 HP 44" TRACTOR -- MODEL NUMBER WE1644A

DECALS

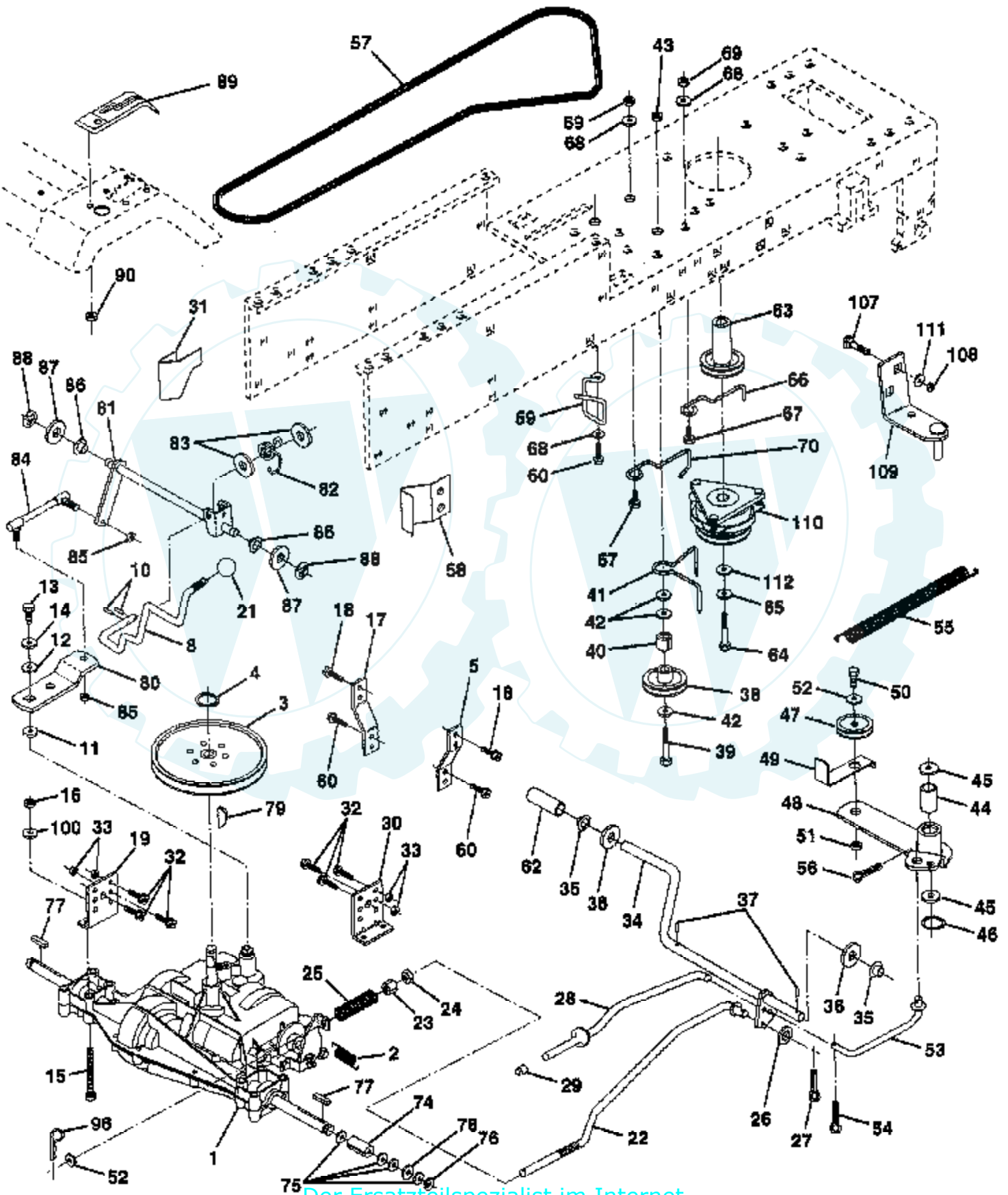


Ref #	Part Number	Qty	Description
1	137043		DECAL.FENDER
2	136951		DECAL.ENG.272090
3	143375		DECAL.HD.WEED.LH
4	143374		DECAL.HD.WEED.RH
5	139346		"DECAL.V.BELT.44""
6	137044		DECAL.GRILL
7	141898		DECAL CAUT FEND
8	141897		DECAL CLUT/BRAKE
9	143763		DECAL.PNL.SIDE.16
10	140837		DECAL BRAK PARK
11	137042		DECAL.WHL.STRG.
12	141901		DECAL INST OP DAS
	138311		DECAL HANDLE LIFT
	143956		MANUAL.O.WE1644A
	143957		MANUAL.O.WE1644A
	CH239		TIRE CHAINS
	TR01		GRADER BLADE
	TR69		48" DOZER BLADE
	TX11		SLEEVE HITCH



16 HP 44" TRACTOR -- MODEL NUMBER WE1644A

DRIVE

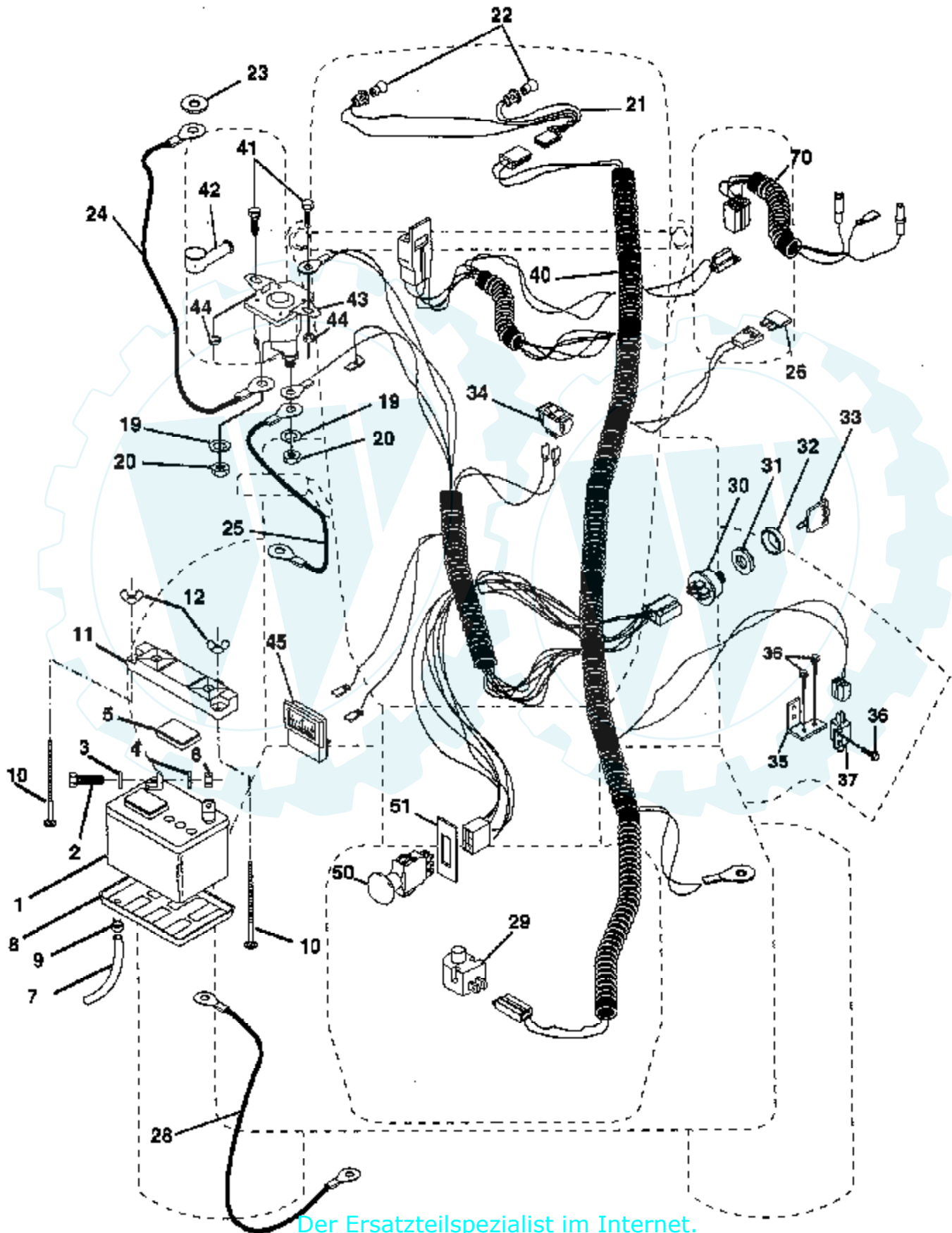


Ref #	Part Number	Qty	Description
1	138788		TRANSAX. PRLES.
2	110422X		SUB= 146682
3	121327X		PULLEY TRANSAXLE
4	12000004		RING
5	123787X		STRAP TORQUE
8	123781X		SUB= 141002
10	76020416		PIN COTTER 1/8
11	105701X		WASH-SHFT PLT LT
12	19151216		WASHER
13	71040412		SUB= 74550412
14	19091216		WASHER PM
15	74780544		BOLT HEX
16	73680500		SUB= 73690500
17	123787X		STRAP TORQUE
18	17490512		SCREW
19	123780X		BRKT TRANS LH
21	106933X		KNOB T (1/2-HOLE)
22	123786X		ROD BRAKE
23	73800600		NUT
24	73350600		NUT
25	126909X		"SPRING,ROD BRAKE"
27	76020412		COTTER PIN
28	133261		BRAKE PARK ROD
29	71673		PLUNGER CAP T
30	123776X		BRKT TRANS RH
31	123791X		KEEPER BELT LH
32	74760612		SUB= 74780612
33	73680600		SUB= 73690600
34	122424X		SUB= 149001
35	120183X		NYLON BEARING
36	19211616		WASHER LT
37	1572H		SUB= 2882J
38	123674X		PULLEY.IDLER.FLAT
39	74760644		BOLT
40	4470J		SPACER T
41	109070X		BELT KEEPER LT
42	19131316		WASHER
43	73800600		NUT
44	105706X		"LY, BEARING"
45	110812X		WASHER LT
46	12000039		KLIP RING
47	127783		SUB= 139245
48	123789X		ARM IDLER
49	123205X		RETAIN BELT
50	74760624		SUB= 74930624
51	73680600		SUB= 73690600
52	19131316		WASHER
53	105710X		"LINK, CLUTCH T"
55	105709X		"SPRING, RETURN LT"
57	123796X		BELT.GRDRV.94.75
58	123792X		"KEEPER,BELT RH"
59	140312		KEEPER BELT CNTSP
60	17490612		SCREW
62	8883R		PEDAL COVER T
63	136906		PULLEY ENGINE
64	71170768		SUB= 150280
65	10040700		LOCKWASHER
66	121218X		KEEPER BELT ENGLH

Ref #	Part Number	Qty	Description
67	74760616		BOLT
68	19131312		WASHER
69	73680500		SUB= 73690500
70	105730X		"KEEPER,BLT ENG LT"
74	108097X		SPACER HYT
75	123800X		WASHER
76	12000053		E RING HYT
77	9396E		SQ KEY STD
79	2228M		SUB= 2228M1
80	123794X		"ARM,SHIFT"
81	123772X		"SHAFT,SHIFTER"
82	123782X		"SPRING,TORSION"
83	19171216		WASHER
84	123793X		"ROD,TIE "
85	73530400		NUT 1/4-28
86	71208		BUSHING
87	19212016		WASHER D
88	12000008		KLIP RING
89	139992		CONSOLE SHIFTER
90	124346X		NUT
96	4497H		RETAINER M
100	19111216		WASHER M
102	2751R		CLIP T
107	72140506		BOLT
107	72140506		BOLT
108	73680500		SUB= 73690500
109	137141		BRACKET.ASM.MTG
110	137140		SUB= 142600
111	19111012		WASHER T
112	126197X		WASHER
58	123792X		"KEEPER,BELT RH"

16 HP 44" TRACTOR - - MODEL NUMBER WE1644A

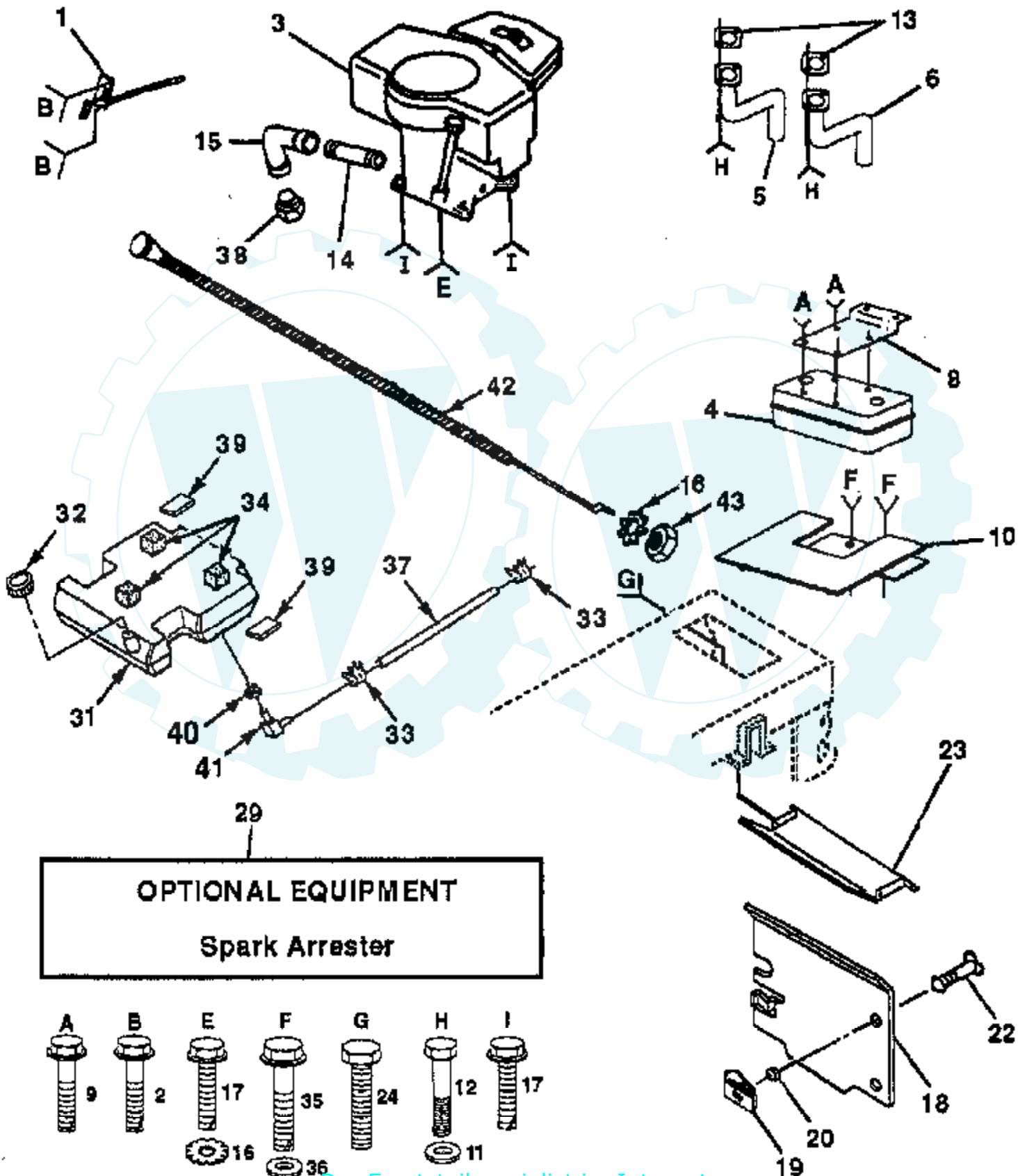
ELECTRICAL



Ref #	Part Number	Qty	Description
1	121265X		SUB= 123899X
2	74760412		BOLT LT
3	19091016		WASHER
4	10040400		LOCKWASHER
5	121264X		"CAP,BATTERY "
6	73220400		SUB= 50675
7	7697J		"DRAIN TU T, BATT"
8	7603J		"TRAY T, BATTERY"
9	109596X		HOSE CLAMP T
10	72240460		BOLT
11	102476X		SUB= 150109
12	123198X		SUB= 146525
19	10090400		SUB= 10040400
21	136850		"HARNESS,LIGHT SOC"
22	4152J		HEADLAMP BULB
23	11150400		LOCKWASHER
24	4799J		"CABLE T, BATTERY"
25	4206J		CABLE-BATTERY T
26	108824X		FUSE HYT
28	4207J		CABLE T
29	121305X		SWITCH SEAT
30	140399		SUB= 163088
31	140400		SUB= 145774
32	141226		COVER KEY SWITCH
33	140401		KEY MLD GEN DELTA
34	110712X		SWITCH LT
35	108236X		BRACKET LT
36	17021008		SCREW
37	104445X		SWITCH-INTER. GT
40	140418		HARNESS IGN DASH
41	71110408		BOLT HXHD FIN
42	131563		SUB= 154336
43	138406		SUB= 146154
44	73640400		NUT HXKEP 1/4X20
45	122822X		AMMETER
50	140404		SUB= 154959
51	140405		RING RETAIN PTO
70	143906		HARNESS ENG B&S

16 HP 44" TRACTOR - - MODEL NUMBER WE1644A

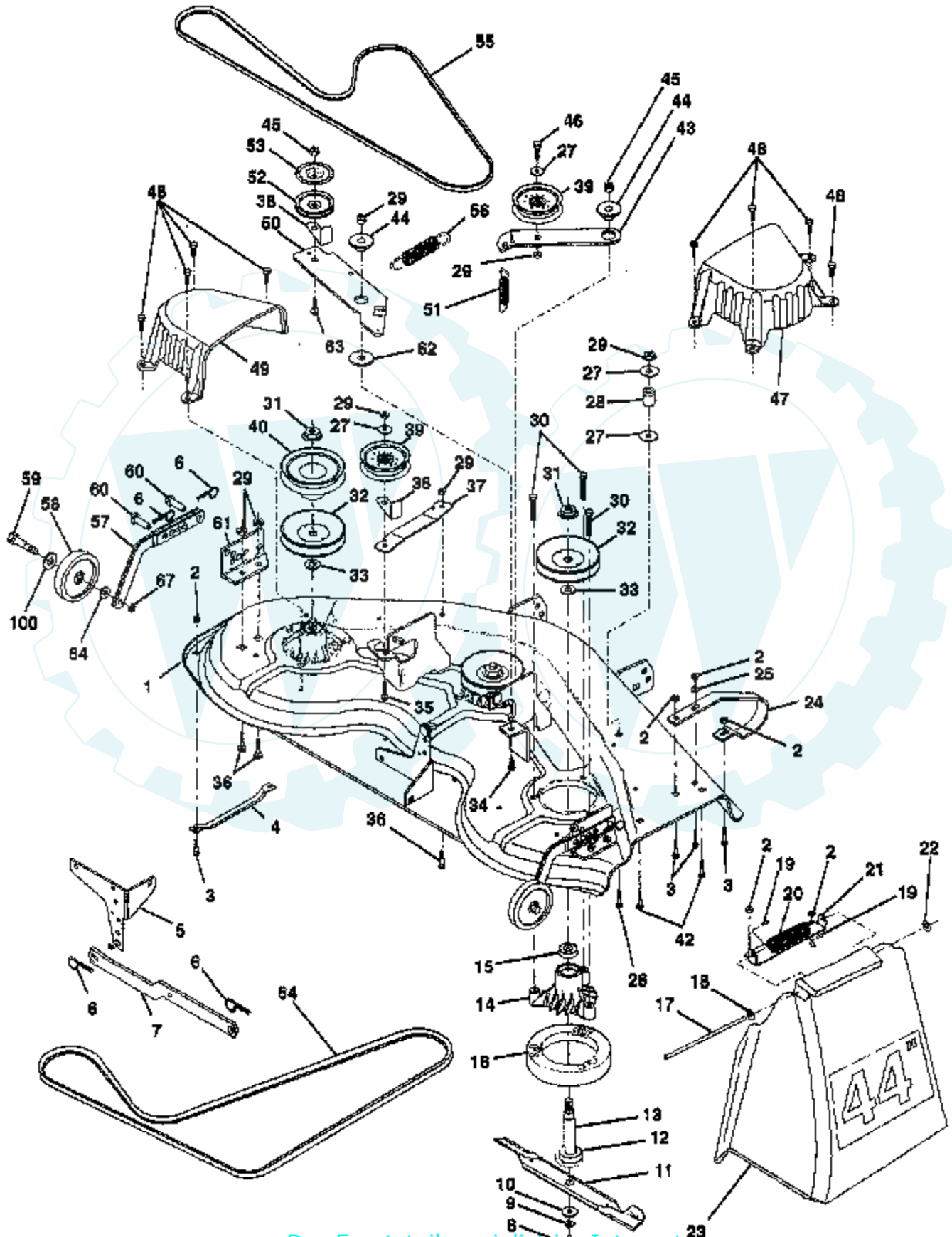
ENGINE



Ref #	Part Number	Qty	Description
1	137214		CONTROLTHROTL
2	17720410		SCREW LT
3	422777		ENGINE, B&S
4	137978		SUB= 149723
5	136989		EXHAUST ASM LH
6	136988		SUB= 144068
8	122439X		BRACKET MUFFLER
9	17190408		SCREW ST
10	143600		SHIELD HEAT LT
11	10040400		LOCKWASHER
12	74780412		SUB= 74780414
13	8545J		SUB= 272250
14	13280336		PIPE NIPPLE LT
15	13200300		ELBOW
16	11050600		LOCKWASHER
17	17490624		SCREW LT
18	133747		HEAT SHIELD
19	105839X		RECEPTACLE LT
20	105838X		RETAINER LT
22	123650X		STUD.1/4.TURN
23	128953		HEAT SHIELD
24	17021008		SCREW
29	137180		SUB= 532137180
31	141069		SUB= 151346
32	140527		CAP ASM FUEL
33	123487X		HOSE CLAMP
34	106082X		PAD-SPACER LT
35	17490512		SCREW
36	19131614		WASHER
37	8543R		FUEL LINE T
38			DECAL, OPEI
39	109227X		PAD IDLER TI
40	3645J		BUSHING OUTLET T
41	139277		STEM.TANK.FUEL
42	132779		CHOKE CONTROL
43	73610600		SUB= 7810H

16 HP 44" TRACTOR -- MODEL NUMBER WE1644A

MOWER DECK



Ref #	Part Number	Qty	Description
1	140579		"DECK ASM WELD44""
2	73800500		NUT
3	72110506		SUB= 72270506
4	7631J		RUNNER-LH M
5	138457		BRKT.ASM.SW.44/50
6	4939M		SUB= 85902
7	130832		SUB= 130833
8	850857		BLADE BOLT
9	10030600		SUB= 10040600
10	140296		WASHER.HARD.BLADE
11	130652		"BLADE.44"" HIPERF"
12	129895		BEARING.BALL
13	137553		SHAFT.ASM.W/BRNG
14	137152		HOUSING.MAND.44.V
15	110485X		BEARING
16	140329		STRIPPER RND MWR
17	106735X		ROD-HINGE T
18	19111016		WASHER
19	105304X		CAP-SLEEVE LT
20	123713X		SPRING TORSION
21	137607		BRKT DEFLECTOR
22	110452X		NUT PUSH M
23	109785X		DEFLECTOR SHIELD
24	136321		RUNNER.RH
25	19111216		WASHER M
26	72110614		BOLT
27	19131316		WASHER
28	132823		SUB= 532132823
29	73800600		NUT
30	138776		SUB= 157722
31	137266		SUB= 139729
32	129861		SUB= 153535
33	129963		WASHER
34	72140610		BOLT.3/8-14X1.25
35	72110616		BOLT
36	72110608		BOLT D
37	137166		STIFFENER.ARM.IDL
38	137554		SUB= 918137554
39	131494		FLAT IDLER PULLEY
40	136572		"PULLEY.DRIVEN.44""
42	72140506		BOLT
43	136460		"ARM.IDLER.SEC.44""
44	122052X		SPACER RETAINER
45	73680600		SUB= 73690600
46	74760628		BOLT
47	137200		"COVER.MAND.RH.44""
48	137729		SCREW.1/4-20X5/8
49	136574		COVER.MANDREL.LH
50	137272		ARM.IDLER.PRIMARY
51	137273		"SPRING.SEC.44""VEN"
52	139245		PULLEY.IDLER.VGRO
53	137789		SHIELD.IDLER.44.V
54	131264		V-BELT.PRIM.78.5.
55	131290		BELT-V.88.12.MW
56	138687		SPRING.EXT.DECK.
57	136577		BAR.ASM.GUAGE.WHL
58	105455X		WHEEL.GAGE BLK.PL
59	4898H		BOLT M

Ref #	Part Number	Qty	Description
60	139031		PIN.CLEVIS
61	136573		BRACKET.GUAGE.WHL
62	133943		HARDENED WASHER
63	72110612		BOLT.3/8-16X1.50
64	19121414		WASHER
67	73930600		LOCKNUT
100	19171512		WASHER
	143651		MANDREL SERV ASM
	138660		SUB= 144075



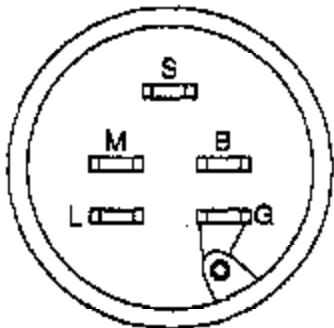
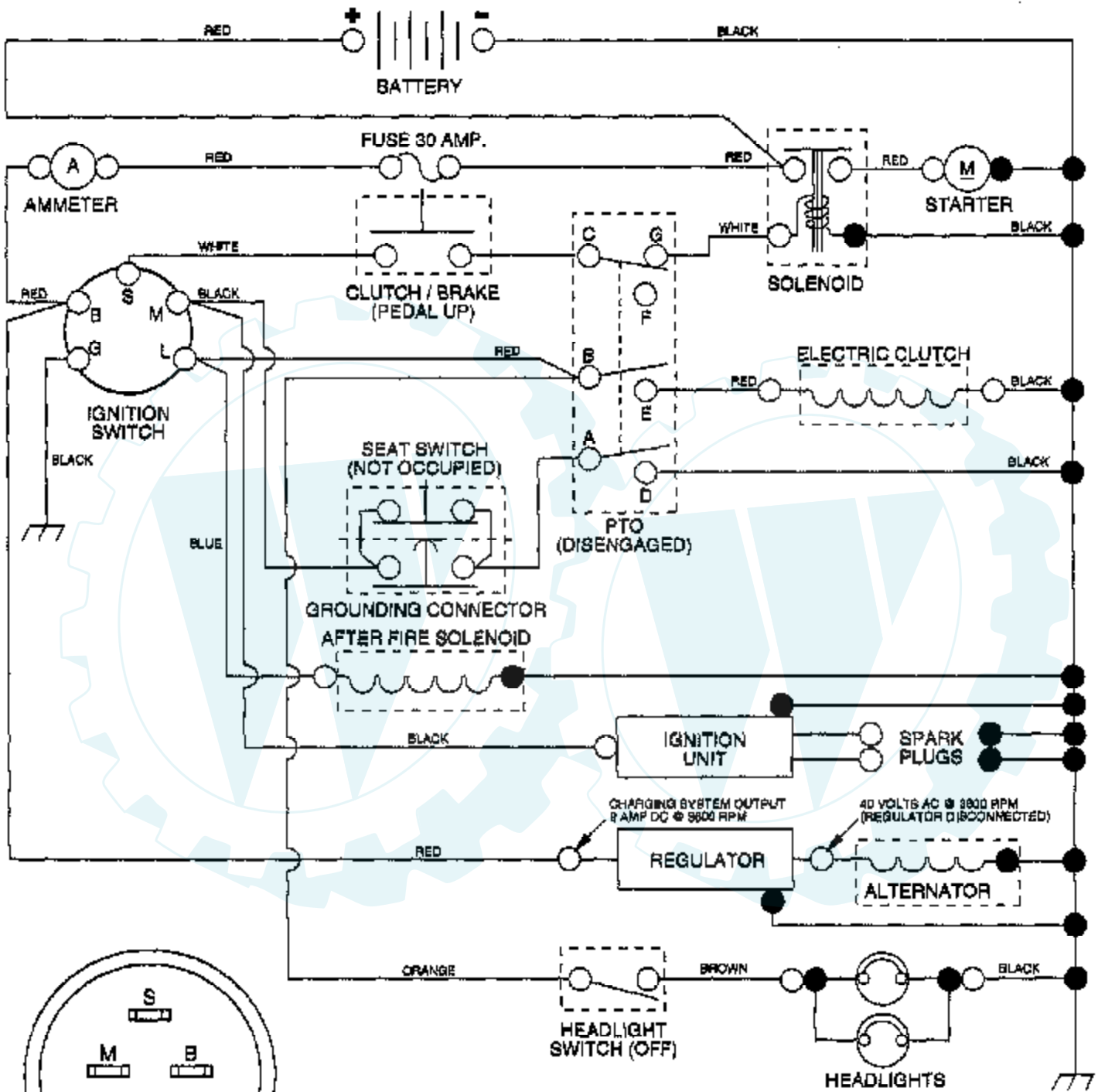
Ref #	Part Number	Qty	Description
1	121006X		LEVER ROD LT
2	140673		SHAFT LIFT W/IND
3	121002X		SUB= 123096X
4	12000022		E-RING
5	19292016		WASHER
6	74780624		"BOLT,HEX"
7	109413X		GRIP
8	124526X		SUB= 125925X
9	122364X		SUB= 125925X
10	2876H		SPRING T
11	141047		LINK LIFT LH
12	141048		LINK LIFT RH
13	4939M		SUB= 85902
15	127218		LINK.FRONT
16	73350800		NUT
17	130171		TRUNION
18	73800800		NUT.LK.W/WSH.1/2.
19	139868		ARM SUSP REAR
20	3146R		RETAINER.SPRING
21	19151216		WASHER
22	12000037		KLIP RING
23	110807X		NUT T
24	19131016		WASHER
25	2876H		SPRING T
26	76020308		SUB= 3145
27	110729X		ROD LIFT LT
28	73350600		NUT
29	138057		KNOB INF 3/8-16
30	110810X		TRUNION LT
31	140302		BEARING PVT LH
32	73810600		NUT.LOCK.3/8-24

Ref #	Part Number	Qty	Description
	794513		TRANSAXLE, COMPLETE
1	772098A		COVER TRANSAXLE
2	780155		BEARING NEEDLE
3	770088		CASE TRANSAXLE
4	776291		SHAFT COUNTER
5	776275		SHAFT, OUTPUT, 9T
6	778247		GEAR, OUTPUT, 35T
7	778253		GEAR, SPUR, 15T
8	792138		KEY
9	784216		COLLAR SHIFT
10	784342		ROD AND FORK ASSY SHIFT
11	778246		GEAR BEVEL, 33T
12	778245		BEVEL PINION, 13T
13	778198		GEAR BEVEL
14	778197		PINION, 10T
15	778248		GEAR, RING, 31T
16	786027		BLOCK DRIVE
17	786019		PIN DRIVE
18	786121		SPACER, .350/.340 THICK
18A	786122		SPACER, .276/.268 THICK
20	792077		BALL STEEL, 5/16" DIA.
21	792078		SCREW, 3/8-16 X 3/8"
22	792079		SPRING
24	780071		THRUST BEARING
25	792129		SCREW HEX HD 5/16-18 X 1-1/4
25A	792073		SCREW, 1/4-20 X 1-1/4
26	792018		RING STRAP
27	792018		RING STRAP
28	788040		RETAINING RING
29	780072		WASHER THRUST
30	780108		WASHER THRUST
31	780128		WASHER THRUST
31A	780107		WASHER
31B	780042		WASHER THRUST
36	790043		DISK BRAKE
37	790007		PLATE BRAKE PAD
38	799021		BRAKE PAD
39	786026		PIN DOWEL
40	792076A		WASHER
41	790047		LEVER BRAKE
42	792073		SCREW, 1/4-20 X 1-1/4
42A	792085A		SCREW, 1/4-20 X 2-1/4
43	792075		LOCKNUT 5/16-24
44	790025		HOLDER BRAKE PAD
45	786067		SPACER
46	786086		BRKT BRAKE LEVER
47	774832		AXLE, 12-5/16" LONG
48	774831		AXLE, 16-3/16" LONG
49	778216A		GEAR, SPUR, 41T
50	778206A		GEAR, SPUR, 35T
51	778205A		GEAR, SPUR, 30T
52	778204A		GEAR, SPUR, 25T
53	778203A		GEAR, SPUR, 22T
54	778273		GEAR, SPUR, 19T
57	778199		GEAR, SPUR, 15T
58	778200		GEAR, SPUR, 20T
59	778201		GEAR, SPUR, 25T
60	778202		GEAR, SPUR, 28T

Ref #	Part Number	Qty	Description
61	778208		GEAR, SPUR, 31T
65	780139		WASHER
66	776274		SHAFT INPUT
67	776313		SHAFT BRAKE
71	788069		SEAL SQUARE CUT
71A	792145		PUSHNUT
72	792074		PLUG, THRDED, 9/16-18
79	792144		SPRING
81	786081		CHAIN, ROLLER
82	786082		SPROCKET 9T
83	786123		SPROCKET 18T (REV)
84	786131		BEARING CAP
87	788042		OIL SEAL 3/4
88	780119		BEARING BALL
89	780050		BEARING BALL
90	788067B		GREASE BENTONITE, 32 OZ.
96	780084		BEARING THRUST
97	780051		WASHER THRUST
98	780165		WASHER
99	788077		"O" RING
100	780166		WASHER CUPPED
101	774833		CARRIER DIFF THREADED HOLES
102	774834		CARRIER DIFF
103	792020		SCREW, 1/4-20 X 2-1/4
104	792006		WASHER LOCK 1/4
105	780153		WASHER
106	786144		SLEEVE
107	780152		BEARING NEEDLE
108	780150		BEARING NEEDLE
109	792001		"O" RING
110	786142		SLEEVE STEPPED
111	788071		RING SQ CUT
112	780168		BEARING NEEDLE CAPPED
113	786143		SLEEVE STEPPED
114	780151		BEARING NEEDLE CAPPED
115	786145		SLEEVE STEPPED
116	788070		RING SQ CUT
117	780031		BEARING NEEDLE
150	510334		GASKET ELIMINATOR

16 HP 44" TRACTOR -- MODEL NUMBER WE1644A

SCHEMATIC



IGNITION SWITCH

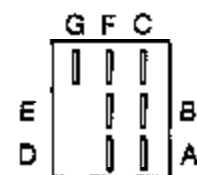
POSITION	CIRCUIT
OFF	M + G
ON	B + L
START	B + S + L

● NON-REMOVABLE CONNECTIONS

○ REMOVABLE CONNECTIONS

WIRING INSULATED CLIPS

NOTE: IF WIRING INSULATED CLIPS WERE REMOVED FOR SERVICING OF UNIT, THEY SHOULD BE REPLACED TO PROPERLY SECURE YOUR WIRING



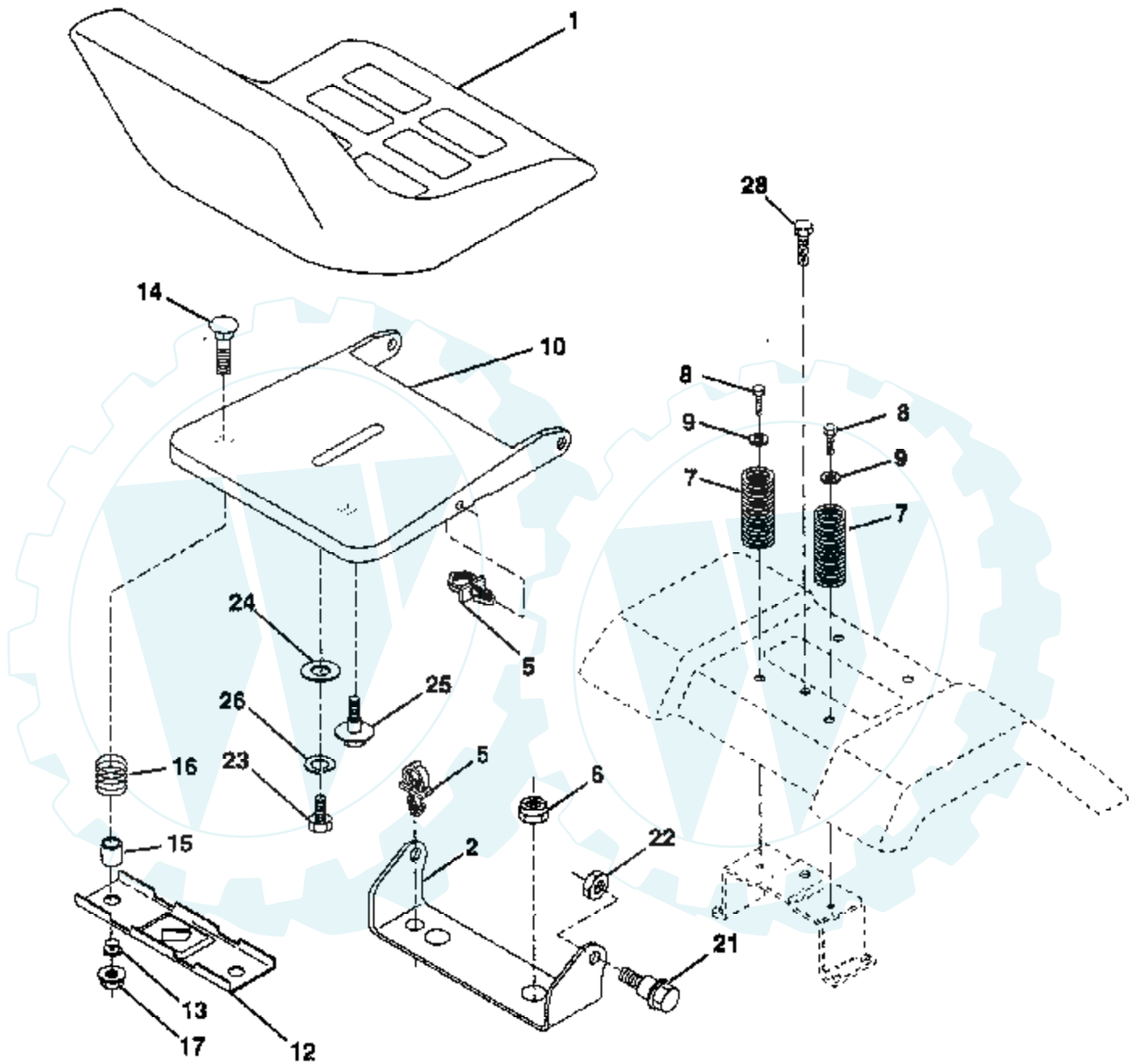
PTO SWITCH

POSITION	CIRCUIT
OFF	C + G
ON	C + F, B + E, A + D

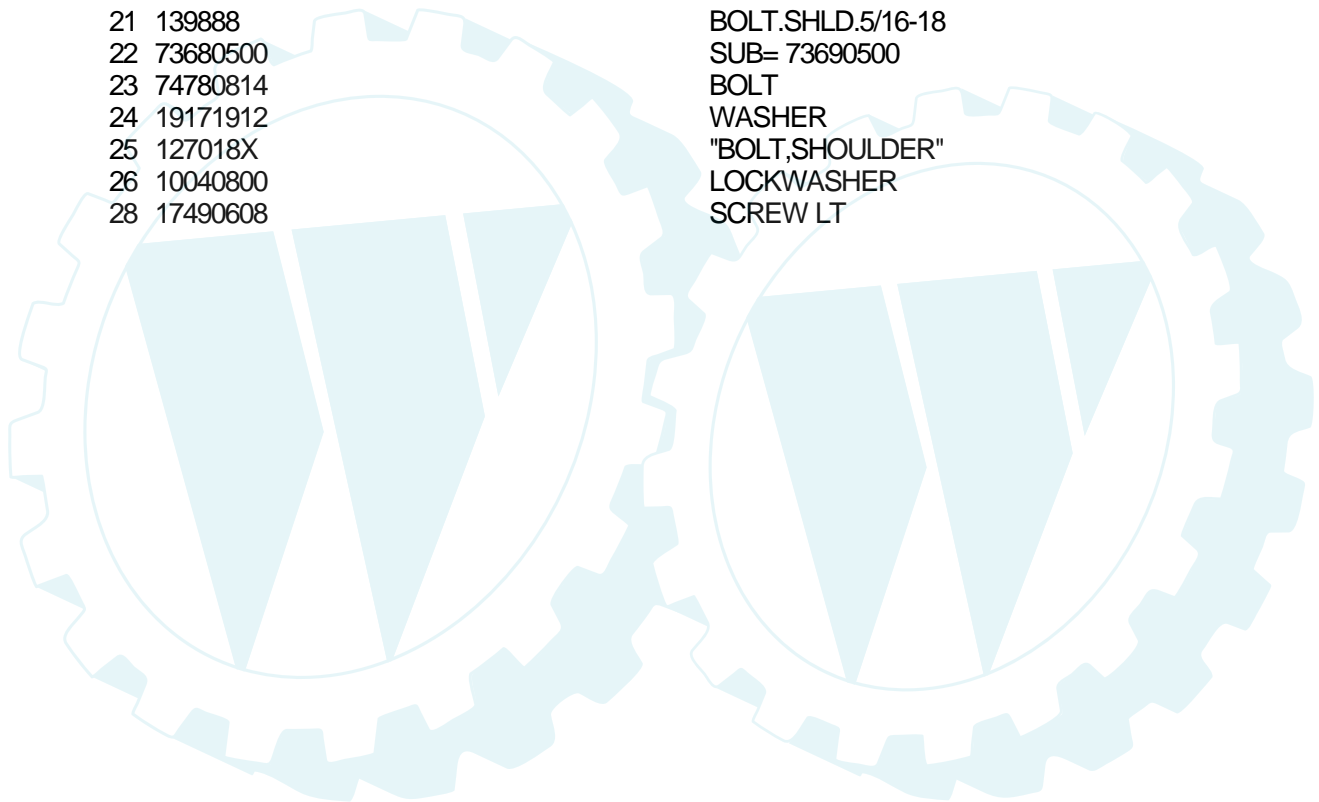
16 HP 44" TRACTOR - - MODEL NUMBER WE1644A

SEAT

NOTE: All component dimensions given in U.S. Inches
1 inch = 25.4 mm

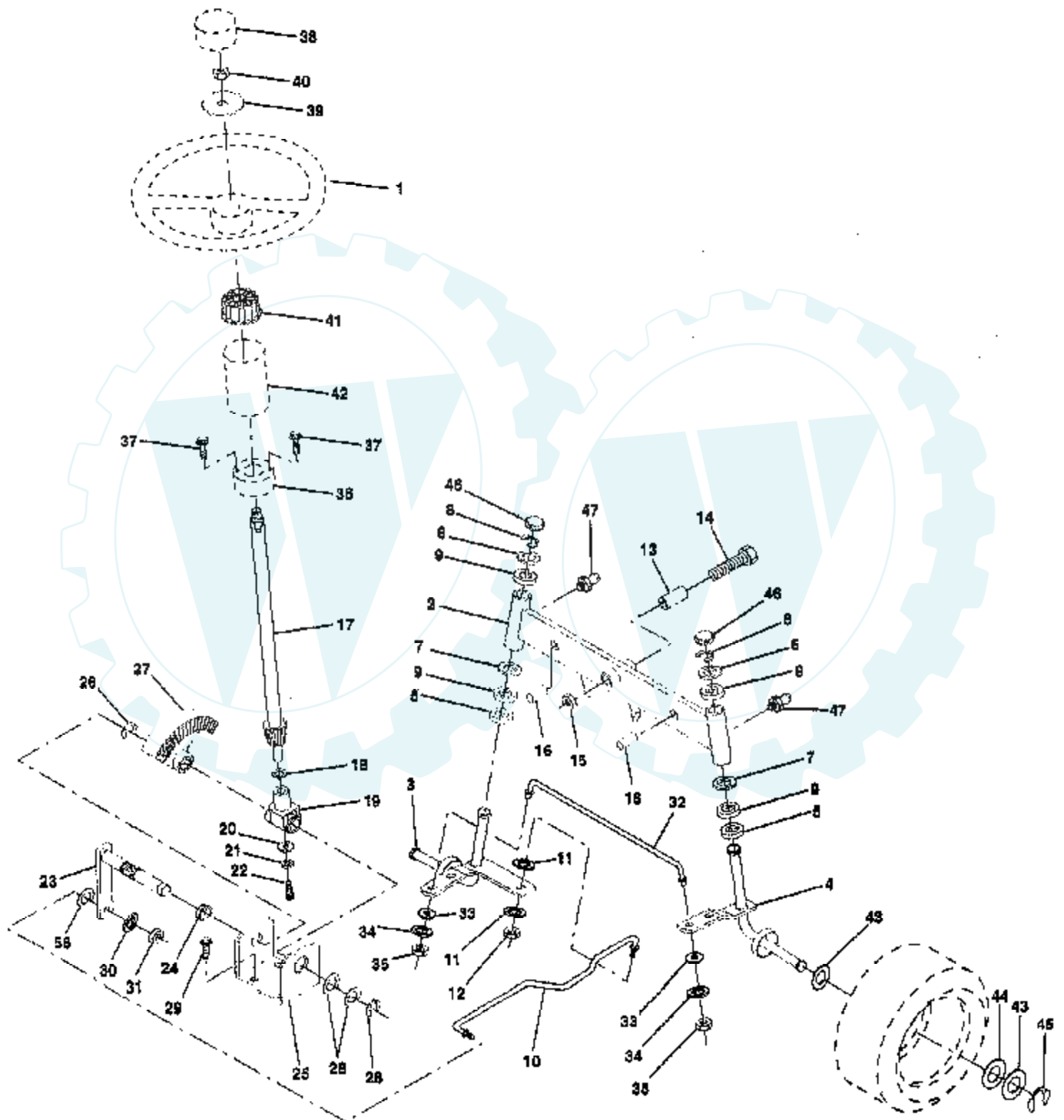


Ref #	Part Number	Qty	Description
1	127429X		SUB= 140121
2	140551		BRACKET PVT SEAT
5	140407		CLIP PUSH - IN
6	73680600		SUB= 73690600
7	124181X		SPRING COMPRESSIO
8	17490508		SCREW LT
9	19131614		WASHER
10	140552		SUB= 155925
12	121246X		BRKT SWITCH
13	121248X		BUSHING
14	72050411		SUB= 872050411
15	121249X		SPACER SPLIT
16	123740X		SPRING COMPRESSED
17	123976X		SUB= 73900400
21	139888		BOLT.SHLD.5/16-18
22	73680500		SUB= 73690500
23	74780814		BOLT
24	19171912		WASHER
25	127018X		"BOLT,SHOULDER"
26	10040800		LOCKWASHER
28	17490608		SCREW LT



16 HP 44" TRACTOR -- MODEL NUMBER WE1644A

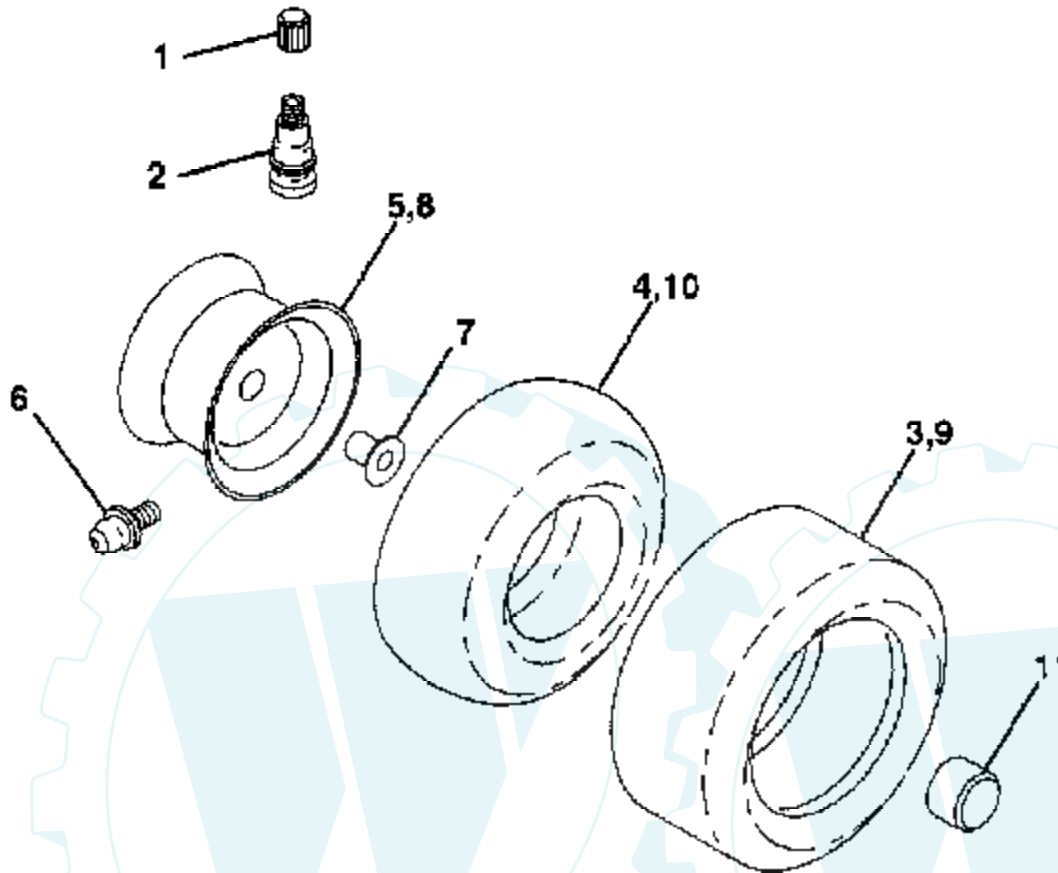
STEERING ASSEMBLY



Ref #	Part Number	Qty	Description
1	133742		ST WHL INSERT CAP
2	142033		AXLE ASM FRONT
3	142455		SPINDEL LH
4	142456		SPINDEL RH
5	6266H		WASHER .T
6	121748X		WASHER
7	19272016		WASHER
8	12000029		RING
9	3366R		COL. SRTG. BEAR.
10	130468		SUB= 532130468
11	10040600		LOCKWASHER
12	73610600		SUB= 7810H
13	110438X		BEARING
14	74761060		BOLT LT
15	73901000		"NUT-LOC,FLANGE LT"
16	132624		AXLE PIN
17	128755		SHAFT&GEAR STR T
18	57079		THRUST WASHER
19	124035X		SUPPORT.SHAFT
20	126684X		SUB= 532126684
21	10040400		LOCKWASHER
22	71070410		"SCREW,SPECIAL"
23	127501		SUB= 918127501
24	109816X		NYLINER T
25	124036X		"BRKT,STEERING"
26	12000029		RING
27	136874		GEAR SECTOR
28	6266H		WASHER .T
29	17490612		SCREW
30	10040600		LOCKWASHER
31	73610600		SUB= 7810H
32	130467		TIE ROD
33	19111216		WASHER M
34	10040500		LOCKWASHER
35	73810500		NUT.LOCK.5/16-24
36	1554J		SUB= 155108
37	17431008		SUB= 98000165
38	133742		ST WHL INSERT CAP
39	100712K		WASHER
40	73940800		SUB= 73360800
41	100711L		ADAPTER LT
42	110709X		COLUMN LT
43	121749X		WASHER
44	121748X		WASHER
45	12000029		RING
46	121232X		CAP
47	6855M		ZERK M
56	19131210		WASHER

16 HP 44" TRACTOR - - MODEL NUMBER WE1644A

WHEELS & TIRES



NOTE: All component dimensions given in U S inches
1 inch = 25.4 mm

Ref #	Part Number	Qty	Description
1	59192		VALVE CAP
2	65139		VALVE STEM LT
3	106230X		SUB= 122075X
4	59904		TUBE.5.3/4.5/6
5	106228X473		"RIM.FRONT.8"".YEL "
6	278H		FITTING LT
7	9040H		"FLANGE, BEARING"
8	106277X473		"RIM.REAR.12"".YEL "
9	140183		TIRE.R.23X9.5-12
10	7154J		TUBE.23X8/10-12
11	104757X		HUB CAP

