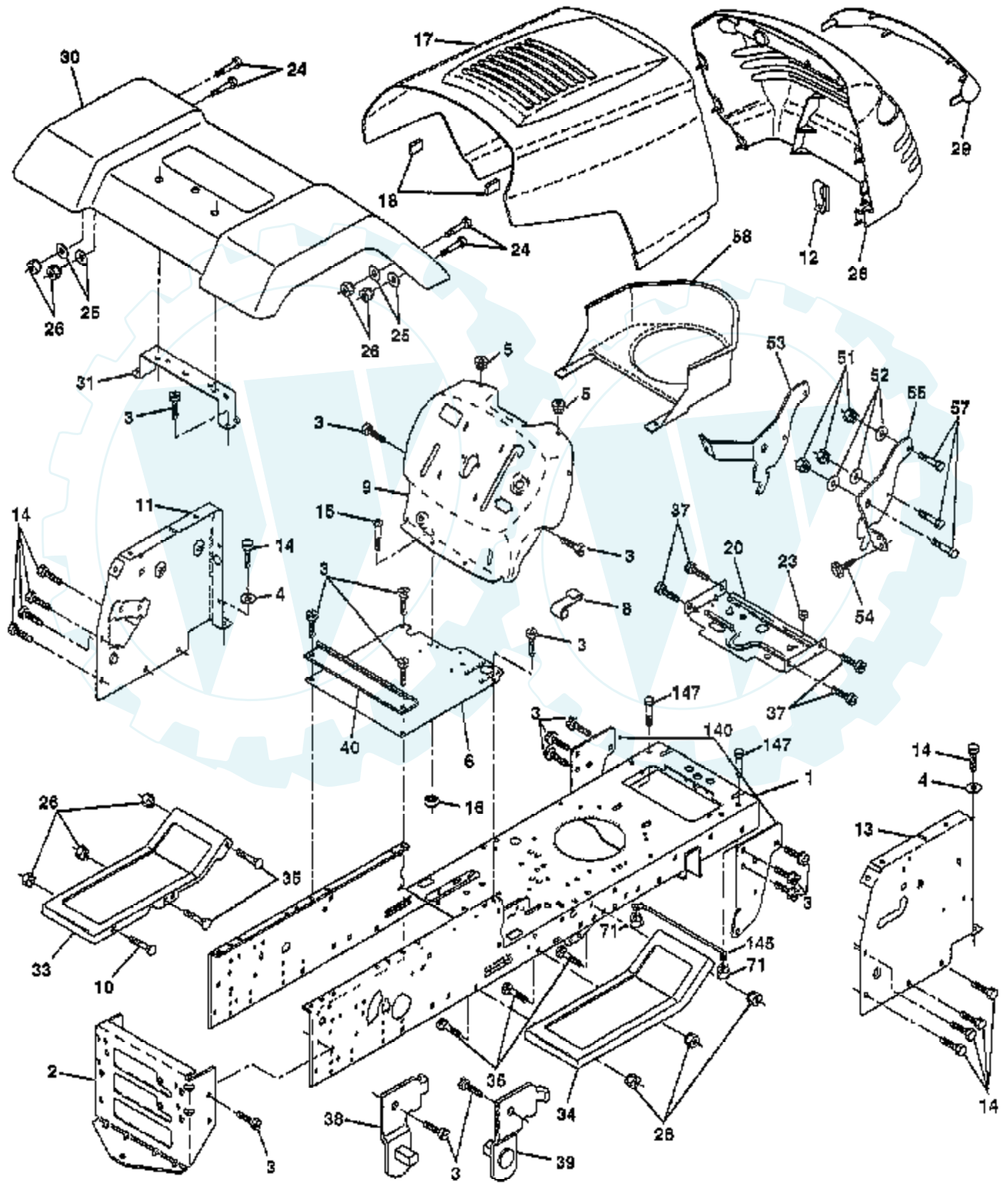


# TRACTOR - - MODEL NUMBER WE1642B

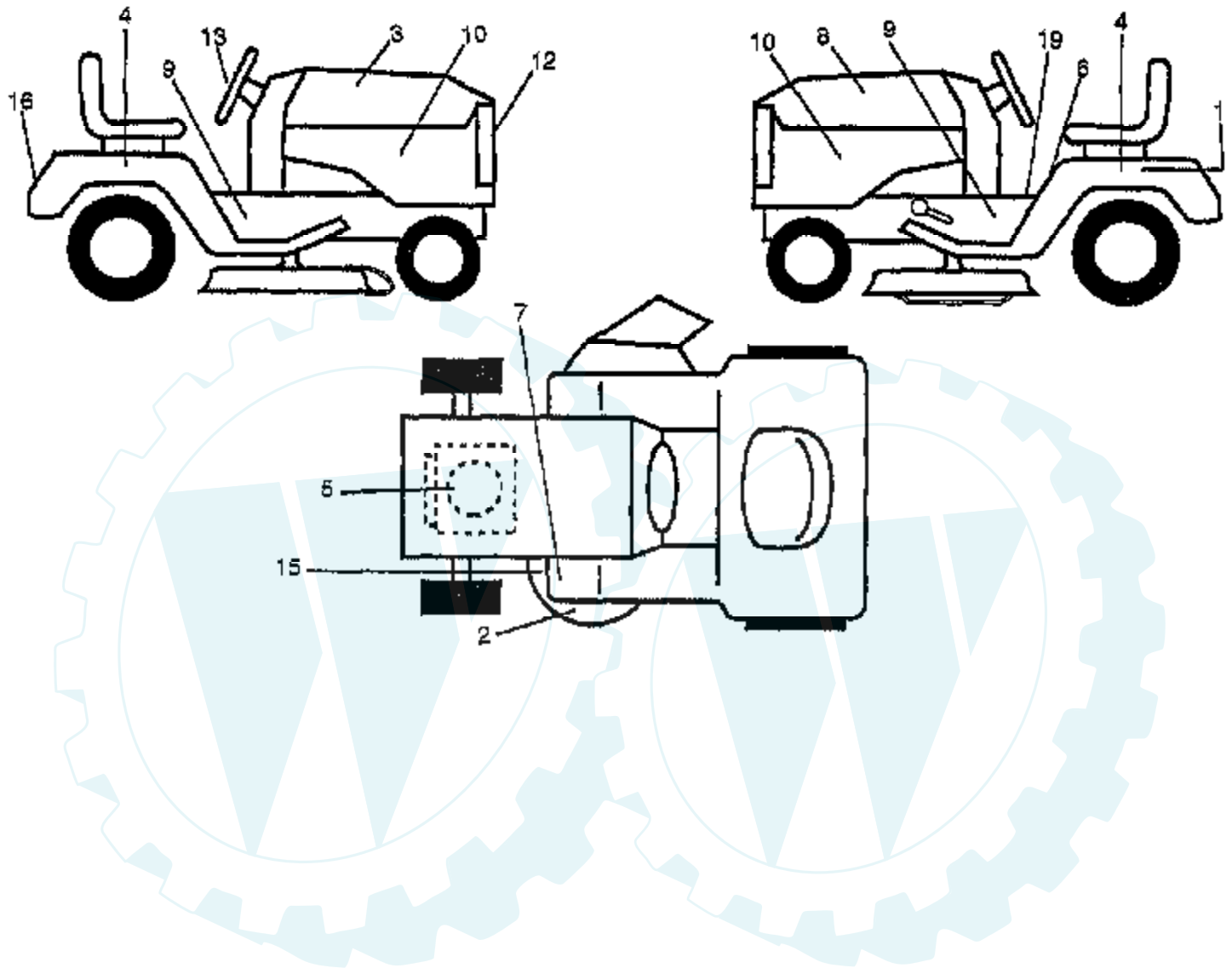
## CHASSIS AND ENCLOSURES



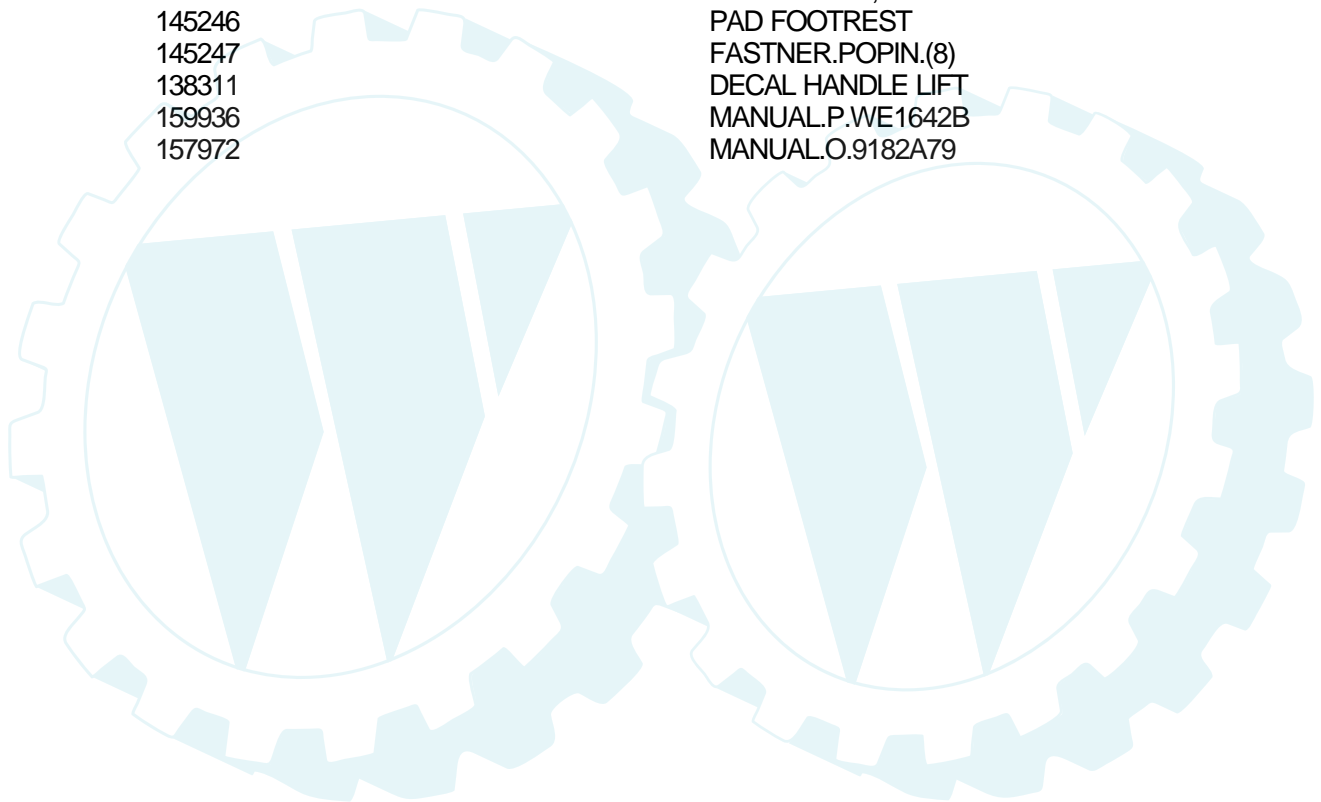
| Ref # | Part Number | Qty | Description         |
|-------|-------------|-----|---------------------|
| 1     | 159530      |     | CHASSIS ASM         |
| 2     | 140356      |     | SUB= 145009         |
| 3     | 17490612    |     | SCREW               |
| 4     | 19131216    |     | WASHER              |
| 5     | 155272      |     | BUMPER-HOOD/DASH    |
| 6     | 155923      |     | SADDLE              |
| 8     | 126471X     |     | "CLIP,INSULATOR"    |
| 9     | 147627X011  |     | DASH.SILKSCREENED   |
| 10    | 72140608    |     | SUB= 72110608       |
| 11    | 155927      |     | "PANEL-DASH,LH"     |
| 12    | 145660      |     | CLIP.TINNERMAN      |
| 13    | 155934X010  |     | SUB= 169117X010     |
| 14    | 17490608    |     | SCREW LT            |
| 15    | 74180512    |     | SCREW               |
| 16    | 73510500    |     | NUT                 |
| 17    | 139394X550  |     | SUB= 159639X550     |
| 18    | 126938X     |     | SUB= 532126938      |
| 20    | 156437      |     | "PLATE-MTG,BATT/FU" |
| 23    | 124028X     |     | SUB= 532124028      |
| 24    | 74780616    |     | BOLT                |
| 25    | 19131312    |     | WASHER              |
| 26    | 73800600    |     | NUT                 |
| 28    | 157373      |     | GRILLE-MS428        |
| 29    | 140273      |     | LENS GRILLE         |
| 30    | 147310X550  |     | FENDER              |
| 31    | 139976      |     | BRACKET SUPT FEND   |
| 33    | 145244X550  |     | FOOTREST.LH.LT/GT   |
| 34    | 145243X550  |     | FOOTREST.RH.LT/GT   |
| 35    | 72110606    |     | BOLT                |
| 37    | 17490508    |     | SCREW LT            |
| 38    | 139886      |     | BRACKET ASM LH      |
| 39    | 139887      |     | BRACKET ASM RH      |
| 40    | 139977      |     | SPACER FENDER LT    |
| 51    | 73800400    |     | NUT                 |
| 52    | 19091416    |     | WASHER              |
| 53    | 144697      |     | BRACKET.GRILLE.LH   |
| 54    | 17030814    |     | SUB= 91817030814    |
| 55    | 144696      |     | BRACKET.GRILLE.RH   |
| 57    | 74780412    |     | SUB= 74780414       |
| 58    | 140547      |     | DUCT.AIR.B&S.18HP   |
| 71    | 73680400    |     | SUB= 73690400       |
| 140   | 158418      |     | BRKT SUSPENSION     |
| 145   | 156524      |     | "ROD POVOT,CHASSIS" |
| 147   | 74760412    |     | BOLT LT             |
|       | 5479J       |     | PLUG BUTTON T       |

## TRACTOR -- MODEL NUMBER WE1642B

### DECALS

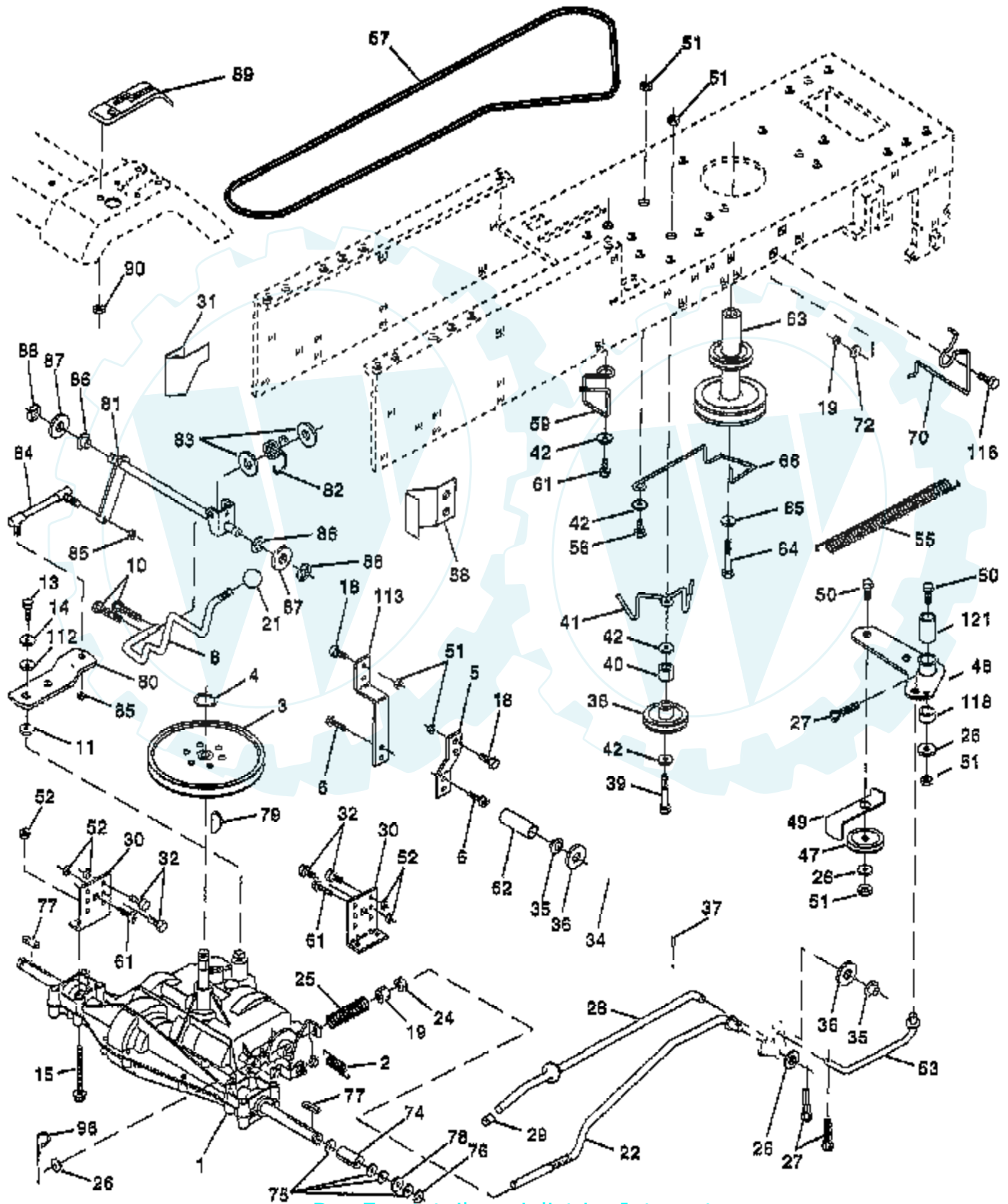


| Ref # | Part Number | Qty | Description         |
|-------|-------------|-----|---------------------|
| 1     | 145005      |     | DECAL.BATRY.3-3908  |
| 2     | 158894      |     | DECAL DECK          |
| 3     | 156609      |     | "DECAL HOOD,RH"     |
| 4     | 146615      |     | DECAL.FENDER.WIZ    |
| 5     | 272558      |     | DECAL, HP ENGINE    |
| 6     | 157002      |     | "DECAL DANGER,FEND" |
| 7     | 4900J       |     | DECAL T             |
| 8     | 156610      |     | DECAL HOOD LH       |
| 10    | 159023      |     | "DECAL PANEL,SIDE"  |
| 12    | 159020      |     | "DECAL GRILLE,LENS" |
| 13    | 156604      |     | "DECAL INS,STRG WH" |
| 15    | 136832      |     | DECAL               |
| 16    | 156602      |     | DECAL-FENDER        |
| 19    | 156868      |     | "DECAL INST,SADDLE" |
|       | 145246      |     | PAD FOOTREST        |
|       | 145247      |     | FASTNER.POPIN.(8)   |
|       | 138311      |     | DECAL HANDLE LIFT   |
|       | 159936      |     | MANUAL.P.WE1642B    |
|       | 157972      |     | MANUAL.O.9182A79    |



# TRACTOR -- MODEL NUMBER WE1642B

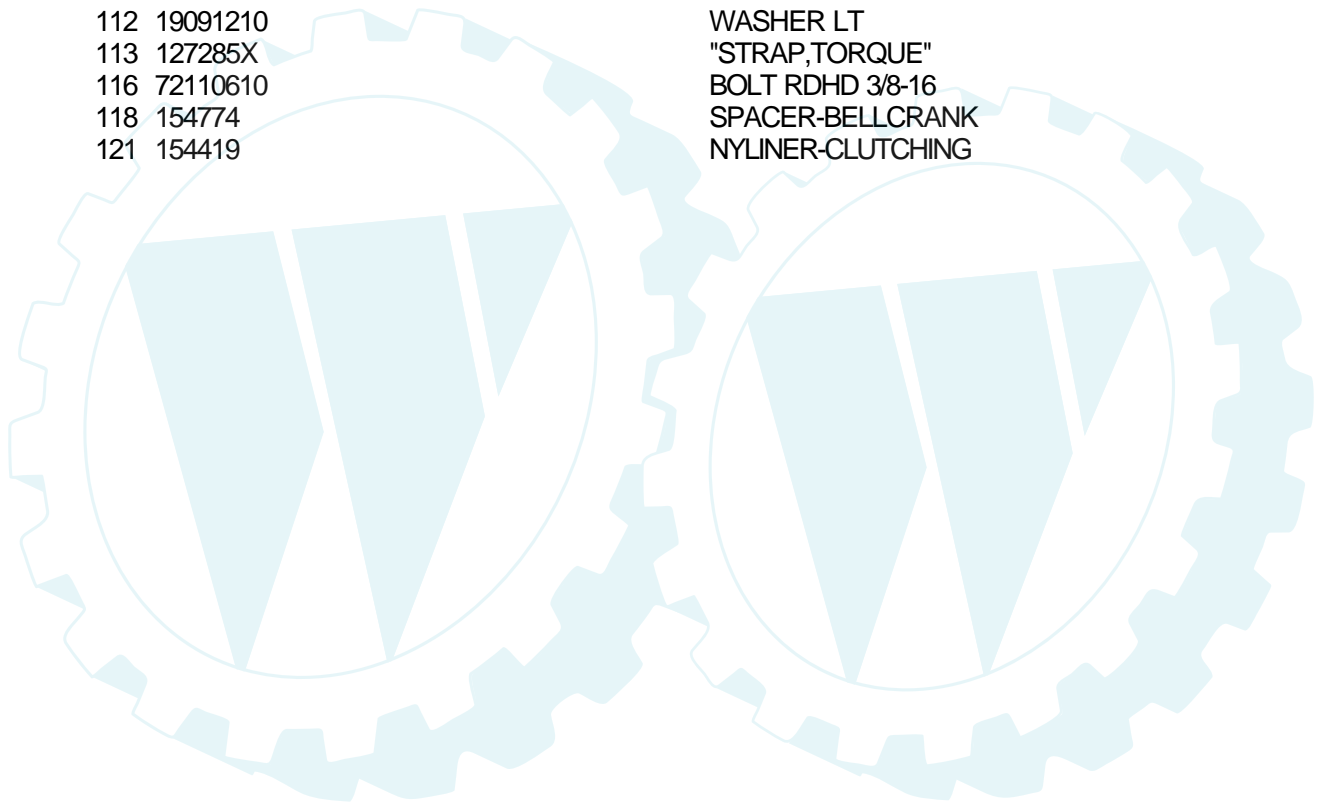
## DRIVE





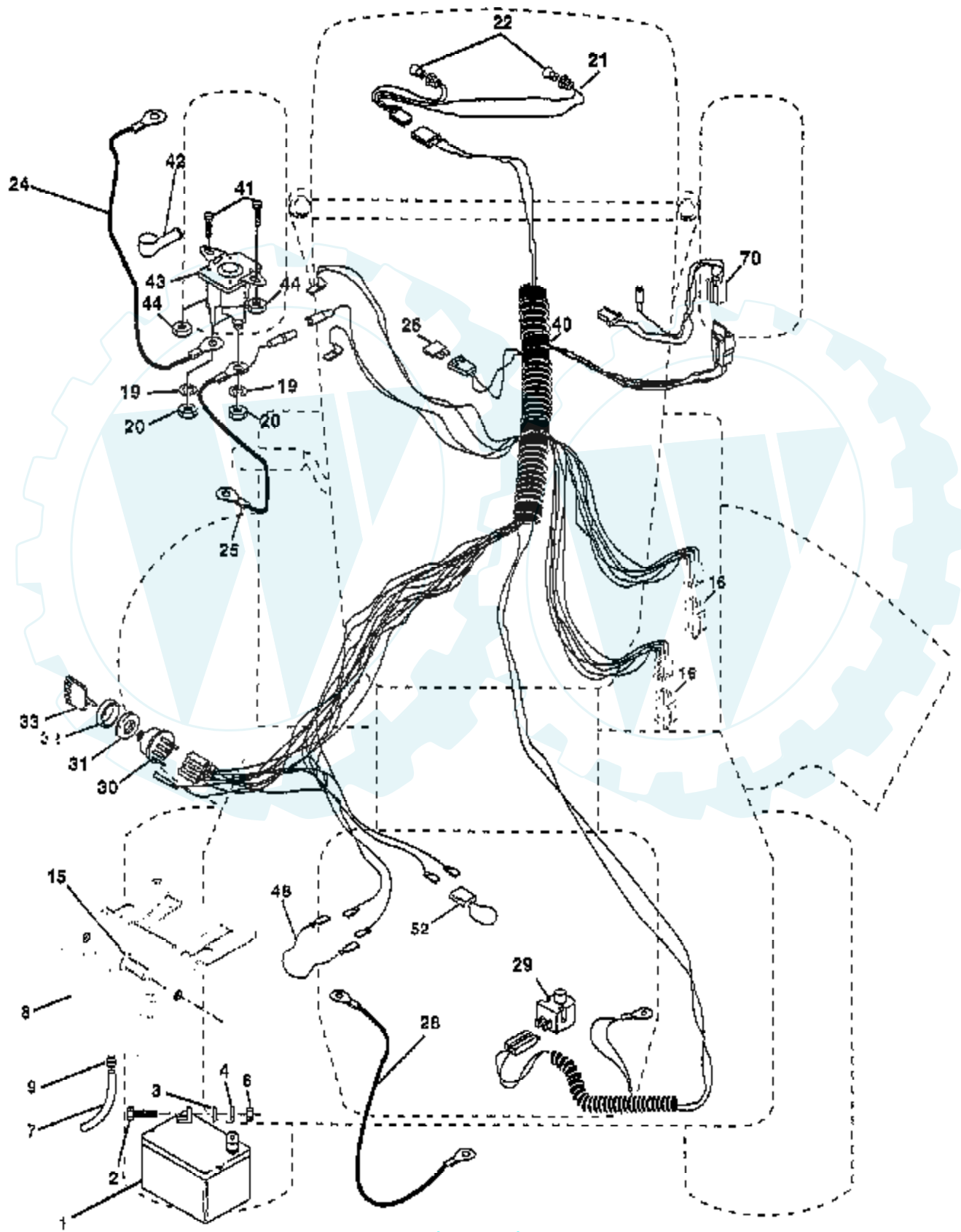
| Ref # | Part Number | Qty | Description         |
|-------|-------------|-----|---------------------|
| 1     | 145600      |     | TRANSAXLE           |
| 2     | 146682      |     | SPRING.BRAKE.RETU   |
| 3     | 123666X     |     | PULLEY TRANS        |
| 4     | 12000028    |     | SUB= 2267J          |
| 5     |             |     | REFER TO IMAGE      |
| 6     | 17490512    |     | SCREW               |
| 8     | 141003      |     | ROD SHIFT FEND LT   |
| 10    | 76020416    |     | PIN COTTER 1/8      |
| 11    | 105701X     |     | WASH-SHFT PLT LT    |
| 13    | 74550412    |     | BOLT.1/4-28.W/PAT   |
| 14    | 10040400    |     | LOCKWASHER          |
| 15    | 74490544    |     | BOLT.HX.FLG.5/16    |
| 18    | 74780616    |     | BOLT                |
| 19    | 73800600    |     | NUT                 |
| 21    | 106933X     |     | KNOB T (1/2-HOLE)   |
| 22    | 130804      |     | BRAKE ROD           |
| 24    | 73350600    |     | NUT                 |
| 25    | 106888X     |     | SPRING ROD LT       |
| 26    | 19131316    |     | WASHER              |
| 27    | 76020412    |     | COTTER PIN          |
| 28    | 145204      |     | ROD.BRAKE.PARK.LT   |
| 29    | 71673       |     | PLUNGER CAP T       |
| 30    | 130807      |     | TRANSAXLE MTG BKT   |
| 31    | 127275X     |     | "KEEPER,BELT LH T"  |
| 32    | 74760512    |     | BOLT                |
| 34    | 155071      |     | SHAFT ASM-PEDAL F   |
| 35    | 120183X     |     | NYLON BEARING       |
| 36    | 19211616    |     | WASHER LT           |
| 37    | 1572H       |     | SUB= 2882J          |
| 38    | 123674X     |     | PULLEY.IDLER.FLAT   |
| 39    | 74760644    |     | BOLT                |
| 40    | 4470J       |     | SPACER T            |
| 41    | 154777      |     | SUB= 165692         |
| 42    | 19131312    |     | WASHER              |
| 47    | 127783      |     | SUB= 139245         |
| 48    | 154604      |     | BELLCRANK ASM       |
| 49    | 123205X     |     | RETAIN BELT         |
| 50    | 74760624    |     | SUB= 74930624       |
| 51    | 73680600    |     | SUB= 73690600       |
| 52    | 73800500    |     | NUT                 |
| 53    | 105710X     |     | "LINK, CLUTCH T"    |
| 55    | 105709X     |     | "SPRING, RETURN LT" |
| 56    | 74760620    |     | SUB= 74780620       |
| 57    | 130801      |     | SUB= 138255         |
| 58    | 127274X     |     | "KEEPER,BELT RH T"  |
| 59    | 140312      |     | KEEPER BELT CNTSP   |
| 61    | 17490612    |     | SCREW               |
| 62    | 8883R       |     | PEDAL COVER T       |
| 63    | 140186      |     | PULLEY.ENGINE       |
| 64    | 71170764    |     | BOLT                |
| 65    | 10040700    |     | LOCKWASHER          |
| 66    | 154778      |     | KEEPER-BELT         |
| 70    | 134683      |     | KEEPER BELT ENG     |
| 72    | 19132012    |     | WASHER              |
| 74    | 137057      |     | SPACER AXLE         |
| 75    | 121749X     |     | WASHER              |
| 76    | 12000001    |     | E-RING LT           |
| 77    | 123583X     |     | SQUARE KEY          |

| Ref # | Part Number | Qty | Description          |
|-------|-------------|-----|----------------------|
| 78    | 121748X     |     | WASHER               |
| 79    | 2228M       |     | SUB= 2228M1          |
| 80    | 145090      |     | "ARM.SHIFT.20""TIRE" |
| 81    | 156049      |     | SHAFT.CROS.P930.     |
| 82    | 123782X     |     | "SPRING,TORSION"     |
| 83    | 19171216    |     | WASHER               |
| 84    | 145643      |     | "ROD.TIE.20""P930LT" |
| 85    | 150360      |     | NUT.CNT.LOCK.1/4     |
| 86    | 71208       |     | BUSHING              |
| 87    | 19212016    |     | WASHER D             |
| 88    | 12000008    |     | KLIP RING            |
| 89    | 139964      |     | SUB= 918139964       |
| 90    | 124346X     |     | NUT                  |
| 96    | 4497H       |     | RETAINER M           |
| 112   | 19091210    |     | WASHER LT            |
| 113   | 127285X     |     | "STRAP,TORQUE"       |
| 116   | 72110610    |     | BOLT RDHD 3/8-16     |
| 118   | 154774      |     | SPACER-BELLCRANK     |
| 121   | 154419      |     | NYLINER-CLUTCHING    |



### TRACTOR -- MODEL NUMBER WE1642B

### ELECTRICAL

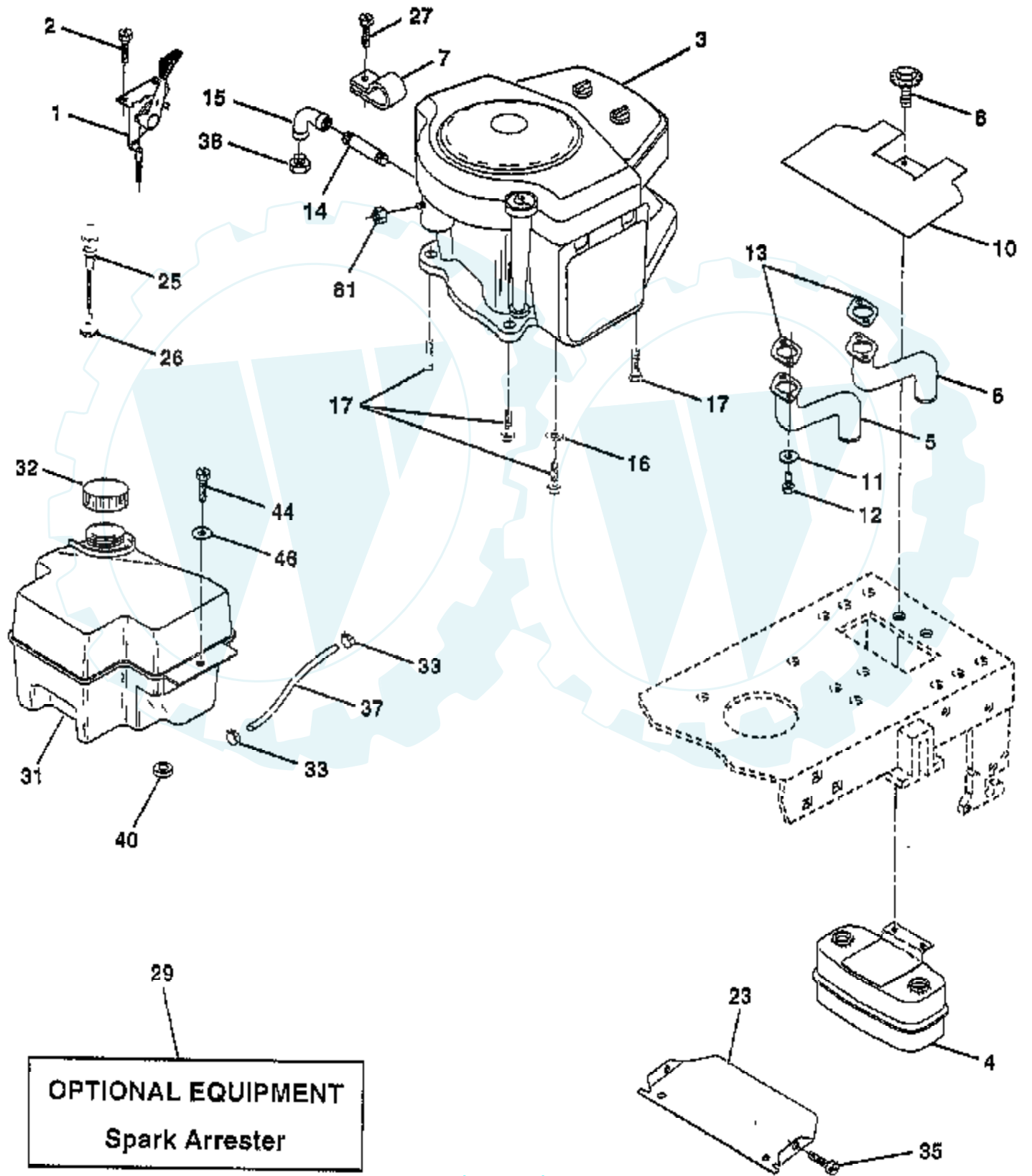




| Ref # | Part Number | Qty | Description         |
|-------|-------------|-----|---------------------|
| 1     | 144925      |     | SUB= 123899X        |
| 2     | 74760412    |     | BOLT LT             |
| 3     | 19091016    |     | WASHER              |
| 4     | 10040400    |     | LOCKWASHER          |
| 6     | 73220400    |     | SUB= 50675          |
| 7     | 109238X     |     | TUBE T              |
| 8     | 156417      |     | "CASE,BATTERY.MECH" |
| 9     | 109596X     |     | HOSE CLAMP T        |
| 15    | 147688      |     | FASTNER.SNAP-IN     |
| 16    | 153664      |     | SWITCH INTERLOCK    |
| 19    | 10090400    |     | SUB= 10040400       |
| 20    | 73350400    |     | NUT                 |
| 21    | 136850      |     | "HARNES,LIGHT SOC"  |
| 22    | 4152J       |     | HEADLAMP BULB       |
| 24    | 4799J       |     | "CABLE T, BATTERY"  |
| 25    | 146147      |     | CABLE.BTRY.6GA.RD   |
| 26    | 108824X     |     | FUSE HYT            |
| 28    | 4207J       |     | CABLE T             |
| 29    | 121305X     |     | SWITCH SEAT         |
| 30    | 140301      |     | SWITCH IGN 4POS     |
| 31    | 124211X     |     | NUT IGNITION        |
| 32    | 141226      |     | COVER KEY SWITCH    |
| 33    | 122147X     |     | KEY                 |
| 40    | 156442      |     | HARNES-IGNITION     |
| 41    | 71110408    |     | BOLT HXHD FIN       |
| 42    | 131563      |     | SUB= 154336         |
| 43    | 145673      |     | SUB= 146154         |
| 44    | 73640400    |     | NUT HXKEP 1/4X20    |
| 48    | 140844      |     | ADAPTER AMMETER     |
| 52    | 141940      |     | PROTECTION LOOP     |
| 70    | 140413      |     | HARNES ENG DUAL     |

# TRACTOR - - MODEL NUMBER WE1642B

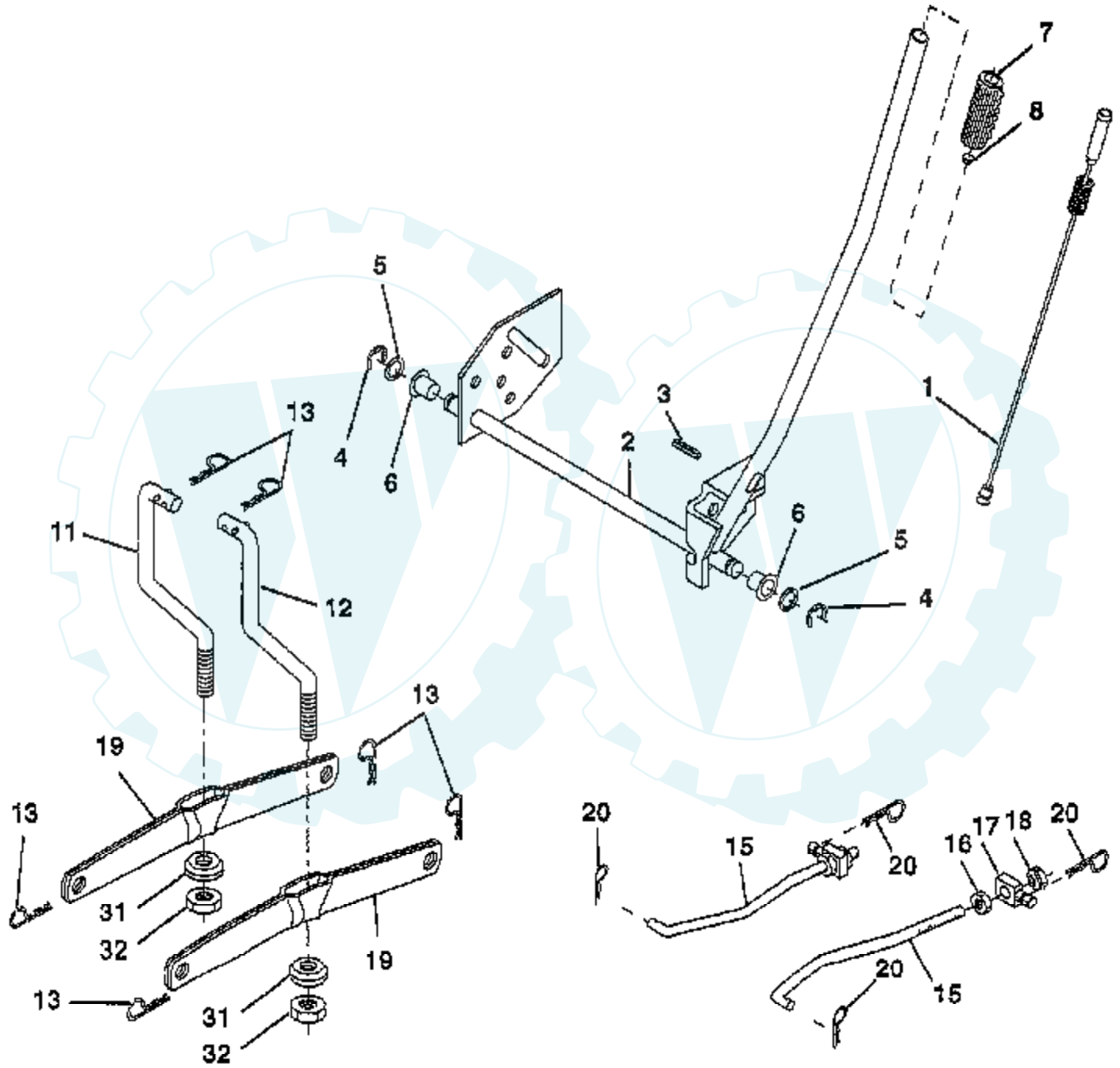
## ENGINE



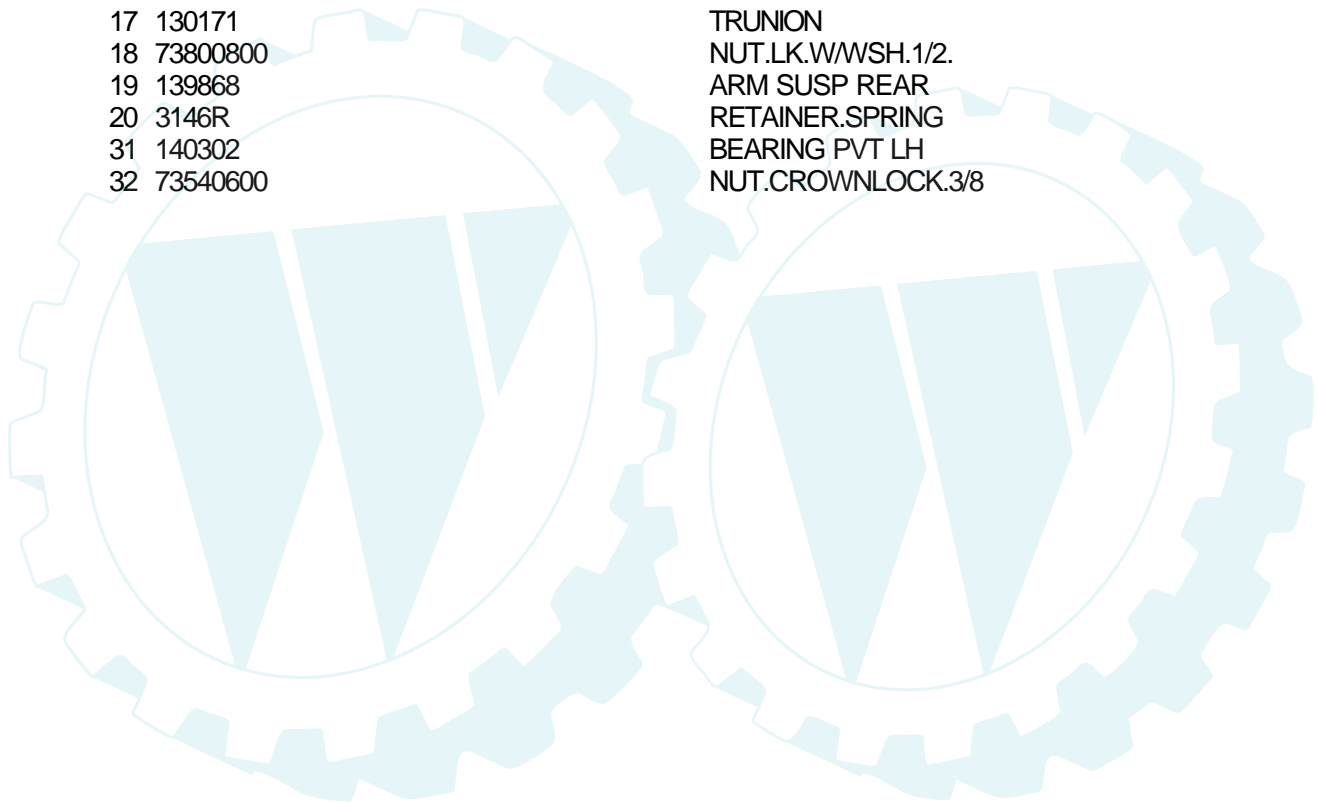
| Ref # | Part Number | Qty | Description         |
|-------|-------------|-----|---------------------|
| 1     | 141295      |     | CONTROL THRT 35.5   |
| 2     | 17720410    |     | SCREW LT            |
| 3     | 42D707      |     | ENGINE, BRIGGS      |
| 4     | 149723      |     | MUFFLER.TW.LOTONE   |
| 5     | 144069      |     | EXHAUST.B&S.18.LH   |
| 6     | 144068      |     | EXHAUST.B&S.18.RH   |
| 7     | 138129      |     | CLAMP.TUBE.DBL.EN   |
| 8     | 150176      |     | BOLT.5/16-18.UNC    |
| 10    | 145552      |     | SHIELD.HEAT.        |
| 11    | 10040400    |     | LOCKWASHER          |
| 12    | 74780412    |     | SUB= 74780414       |
| 13    | 272250      |     | GASKET MUFFLER      |
| 14    | 13280336    |     | PIPE NIPPLE LT      |
| 15    | 13200300    |     | ELBOW               |
| 16    | 11050600    |     | LOCKWASHER          |
| 17    | 17490624    |     | SCREW LT            |
| 23    | 156123      |     | SHIELD-HEAT         |
| 25    | 145996      |     | CONTROL.CHOKE.37    |
| 26    | 73920600    |     | "NUT,KEPS 3/8-24IM" |
| 27    | 152927      |     | "SCREW-TT,10-32 FL" |
| 29    | 137180      |     | SUB= 532137180      |
| 31    | 140280      |     | SUB= 161911         |
| 32    | 140527      |     | CAP ASM FUEL        |
| 33    | 123487X     |     | HOSE CLAMP          |
| 35    | 17490512    |     | SCREW               |
| 37    | 137040      |     | LINE FUEL           |
| 38    |             |     | REFER TO IMAGE      |
| 40    | 124028X     |     | SUB= 532124028      |
| 44    | 17490412    |     | SCREW HEX CRT       |
| 46    | 19091416    |     | WASHER              |
| 81    | 128861      |     | NUT                 |

# TRACTOR -- MODEL NUMBER WE1642B

## LIFT

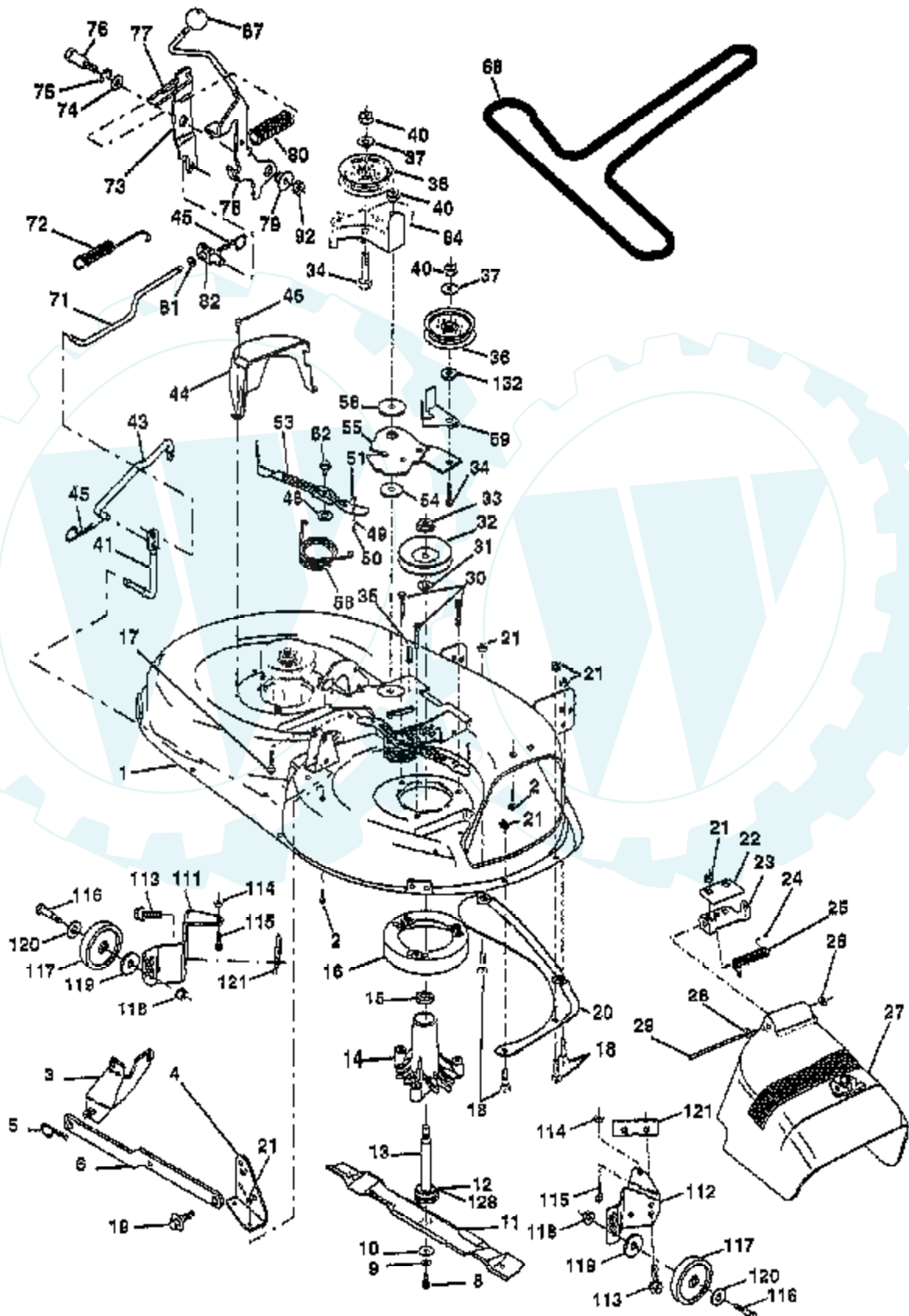


| Ref # | Part Number | Qty | Description         |
|-------|-------------|-----|---------------------|
| 1     | 159460      |     | WIRE ASM W.SPRING   |
| 2     | 159471      |     | "SHAFT ASM LIFT,RH" |
| 3     | 105767X     |     | PIN-GROOVE LT       |
| 4     | 12000002    |     | SUB= 2225J          |
| 5     | 19211621    |     | WASHER              |
| 6     | 120183X     |     | NYLON BEARING       |
| 7     | 109413X     |     | GRIP                |
| 8     | 124526X     |     | SUB= 125925X        |
| 10    | 122512X     |     | SUB= 532122512      |
| 11    | 139865      |     | SUB= 918139865      |
| 12    | 139866      |     | SUB= 151140         |
| 13    | 4939M       |     | SUB= 85902          |
| 15    | 127218      |     | LINK.FRONT          |
| 16    | 73350800    |     | NUT                 |
| 17    | 130171      |     | TRUNION             |
| 18    | 73800800    |     | NUT.LK.W/WSH.1/2.   |
| 19    | 139868      |     | ARM SUSP REAR       |
| 20    | 3146R       |     | RETAINER.SPRING     |
| 31    | 140302      |     | BEARING PVT LH      |
| 32    | 73540600    |     | NUT.CROWNLOCK.3/8   |



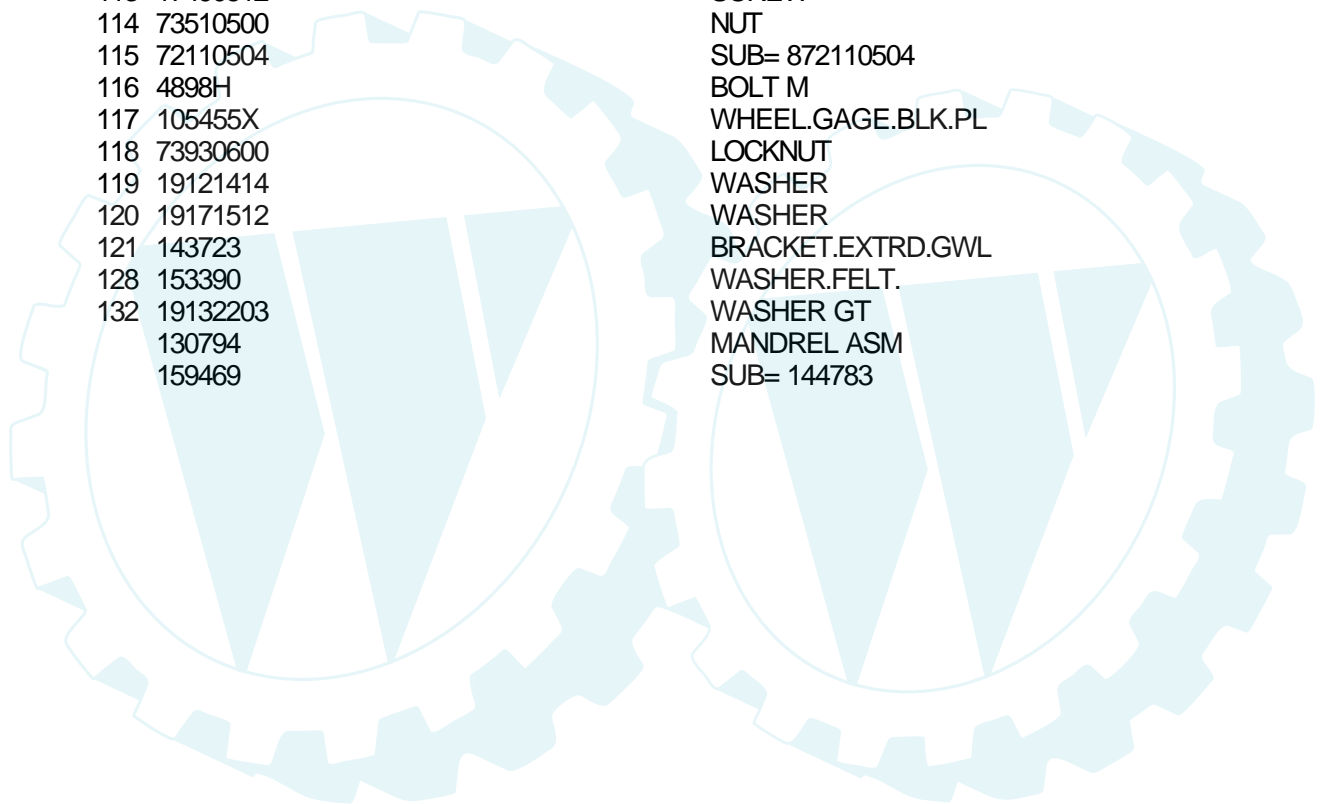
### TRACTOR -- MODEL NUMBER WE1642B

### MOWER DECK



| Ref # | Part Number | Qty | Description         |
|-------|-------------|-----|---------------------|
| 1     | 144393      |     | DECK.WELD.42.       |
| 2     | 72140506    |     | BOLT                |
| 3     | 138017      |     | BRKT ASM SWAY BAR   |
| 4     | 138440      |     | BRKT DECK SW BAR    |
| 5     | 4939M       |     | SUB= 85902          |
| 6     | 130832      |     | SUB= 130833         |
| 8     | 850857      |     | BLADE BOLT          |
| 9     | 10030600    |     | SUB= 10040600       |
| 10    | 140296      |     | WASHER.HARD.BLADE   |
| 11    | 138498      |     | "BLADE.42"" HIPERF" |
| 12    | 129895      |     | BEARING.BALL        |
| 13    | 137645      |     | SUB= 137646         |
| 14    | 128774      |     | HSG ASM MANDREL     |
| 15    | 110485X     |     | BEARING             |
| 16    | 140329      |     | STRIPPER RND MWR    |
| 17    | 72110610    |     | BOLT RDHD 3/8-16    |
| 18    | 72140505    |     | BOLT                |
| 19    | 132827      |     | BOLT SHD 5/16-18    |
| 20    | 136888      |     | SUB= 918136888      |
| 21    | 73680500    |     | SUB= 73690500       |
| 22    | 134753      |     | STIFFENER BRKT      |
| 23    | 131267      |     | DEFLECTOR BRKT      |
| 24    | 105304X     |     | CAP-SLEEVE LT       |
| 25    | 123713X     |     | SPRING TORSION      |
| 26    | 110452X     |     | NUT PUSH M          |
| 27    | 130968      |     | DEFLECTOR.SHIELD    |
| 28    | 19111016    |     | WASHER              |
| 29    | 131491      |     | HINGE ROD           |
| 30    | 138776      |     | SUB= 157722         |
| 31    | 129963      |     | WASHER              |
| 32    | 153535      |     | PULLEY.MANDREL.42   |
| 33    | 137266      |     | SUB= 139729         |
| 34    | 72110614    |     | BOLT                |
| 35    | 133835      |     | XMAS TREE FASTNER   |
| 36    | 131494      |     | FLAT IDLER PULLEY   |
| 37    | 19131316    |     | WASHER              |
| 40    | 73680600    |     | SUB= 73690600       |
| 41    | 133551      |     | PIVOT ROD           |
| 43    | 140083      |     | ROD CLUTCH W/NIBS   |
| 44    | 140088      |     | GUARD MAND LH BLK   |
| 45    | 4497H       |     | RETAINER M          |
| 46    | 137729      |     | SCREW.1/4-20X5/8    |
| 48    | 133944      |     | HARD SMALL WASHER   |
| 49    | 155066      |     | ROLLER ASM-CAM      |
| 50    | 131340      |     | SHOULDER BOLT       |
| 51    | 69180       |     | LOCKNUT             |
| 52    | 139888      |     | BOLT.SHLD.5/16-18   |
| 53    | 131845X900  |     | SUB= 131845         |
| 54    | 133943      |     | HARDENED WASHER     |
| 55    | 155046      |     | ARM-IDLER           |
| 56    | 122052X     |     | SPACER RETAINER     |
| 58    | 140086      |     | SPRING TORSN BRAK   |
| 59    | 141043      |     | GUARD IDLER TUV     |
| 67    | 106932X     |     | KNOB T(3/8 HOLE)    |
| 68    | 144959      |     | BELT-V.SEC.46.KEL   |
| 71    | 142427      |     | ROD CLUTCH 38/42    |
| 72    | 131870      |     | RETURN SPRING       |
| 73    | 127847      |     | CLUTCH ARM SECOND   |

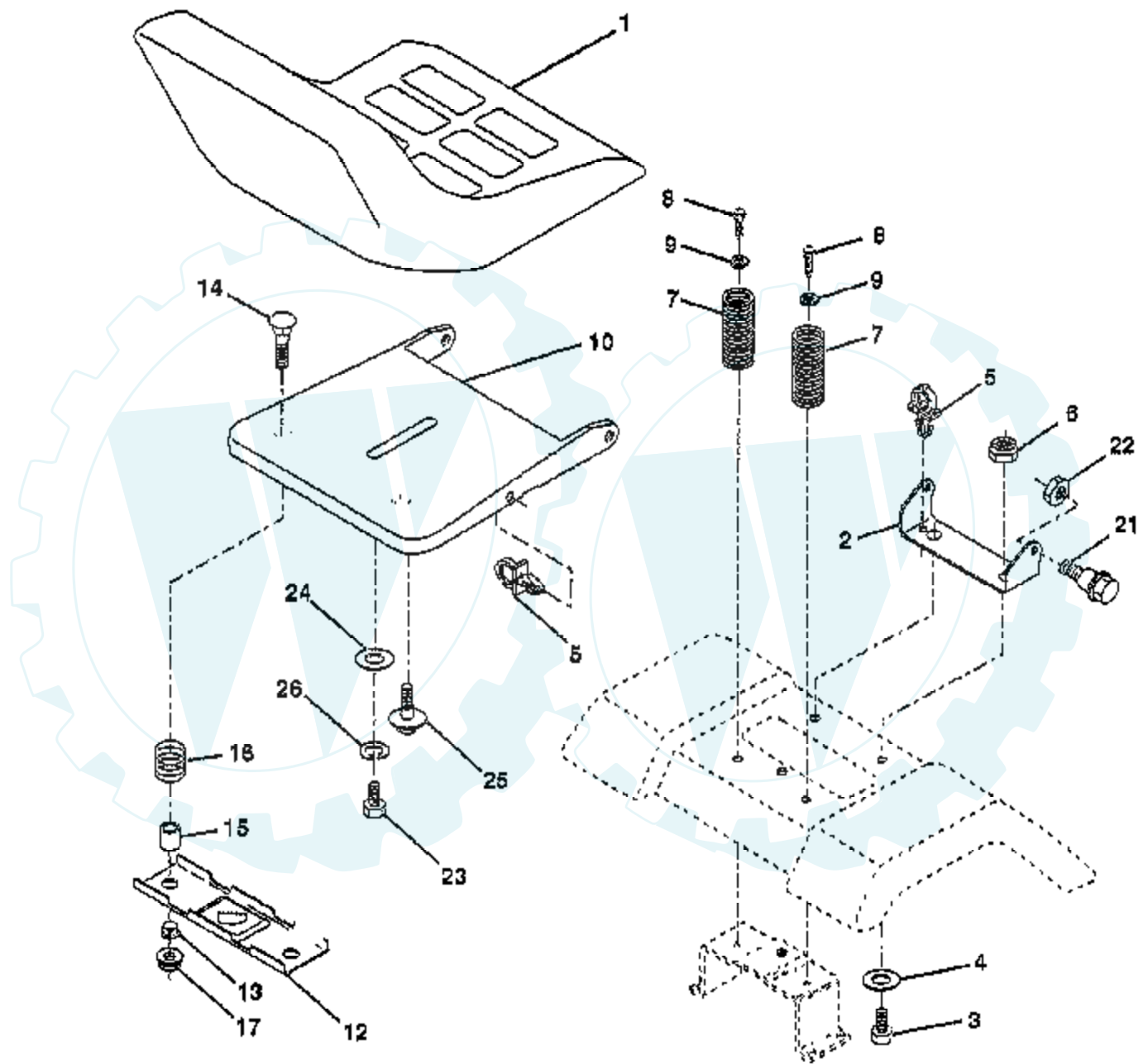
| Ref # | Part Number | Qty | Description       |
|-------|-------------|-----|-------------------|
| 74    | 121748X     |     | WASHER            |
| 75    | 12000029    |     | RING              |
| 76    | 128903      |     | SHOULDER BOLT     |
| 77    | 127845      |     | SPRING KEEPER     |
| 78    | 154809      |     | LEVER ASM-CLUTCH  |
| 79    | 127498      |     | BUSHING           |
| 80    | 153701      |     | SPRING.CLUTCH.MWR |
| 81    | 73350600    |     | NUT               |
| 82    | 142028      |     | TRUNION ADJ       |
| 84    | 158824      |     | BRACKET ASM IDLER |
| 92    | 73800600    |     | NUT               |
| 111   | 155197      |     | BRACKET.GWHL.LH.  |
| 112   | 155198      |     | BRACKET.GWHL.RH.  |
| 113   | 17490512    |     | SCREW             |
| 114   | 73510500    |     | NUT               |
| 115   | 72110504    |     | SUB= 872110504    |
| 116   | 4898H       |     | BOLT M            |
| 117   | 105455X     |     | WHEEL.GAGE.BLK.PL |
| 118   | 73930600    |     | LOCKNUT           |
| 119   | 19121414    |     | WASHER            |
| 120   | 19171512    |     | WASHER            |
| 121   | 143723      |     | BRACKET.EXTRD.GWL |
| 128   | 153390      |     | WASHER.FELT.      |
| 132   | 19132203    |     | WASHER GT         |
|       | 130794      |     | MANDREL ASM       |
|       | 159469      |     | SUB= 144783       |





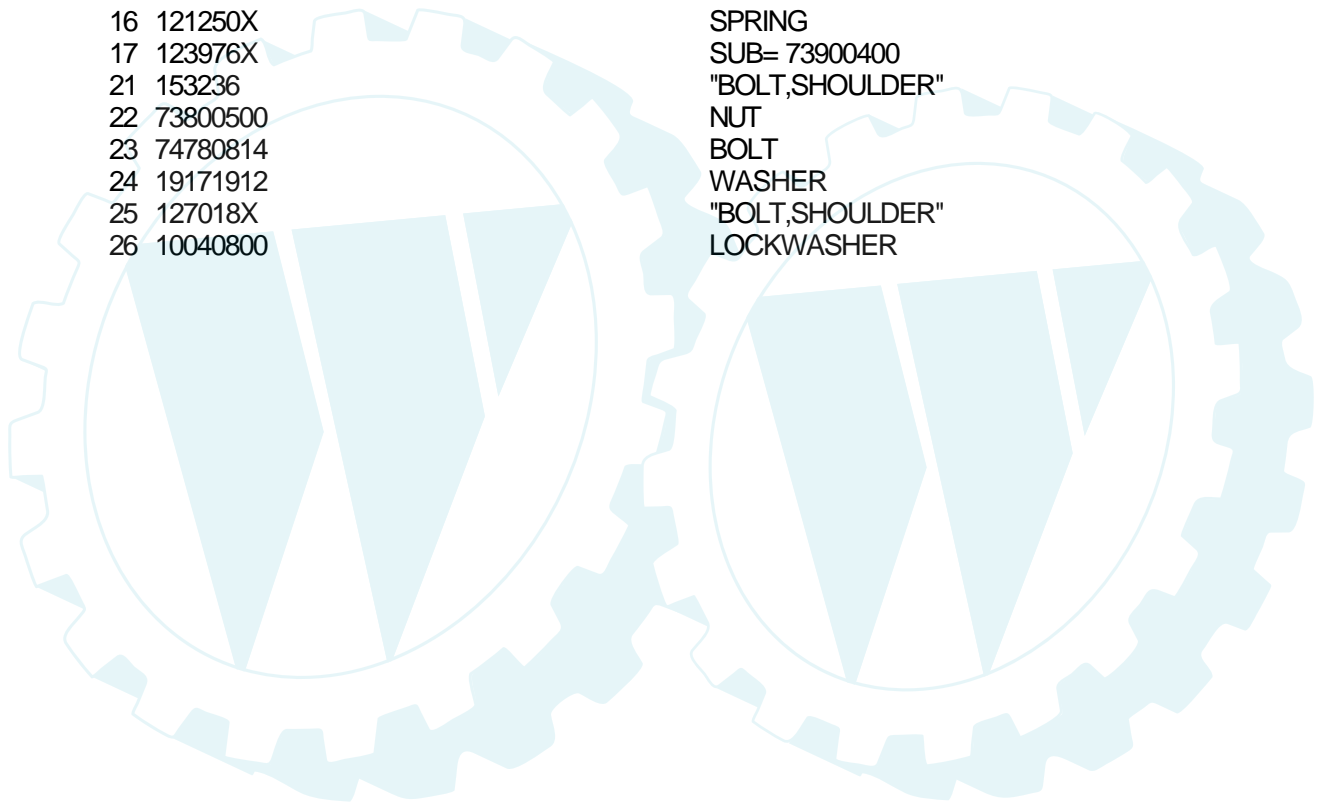
## TRACTOR - - MODEL NUMBER WE1642B

### SEAT ASSEMBLY



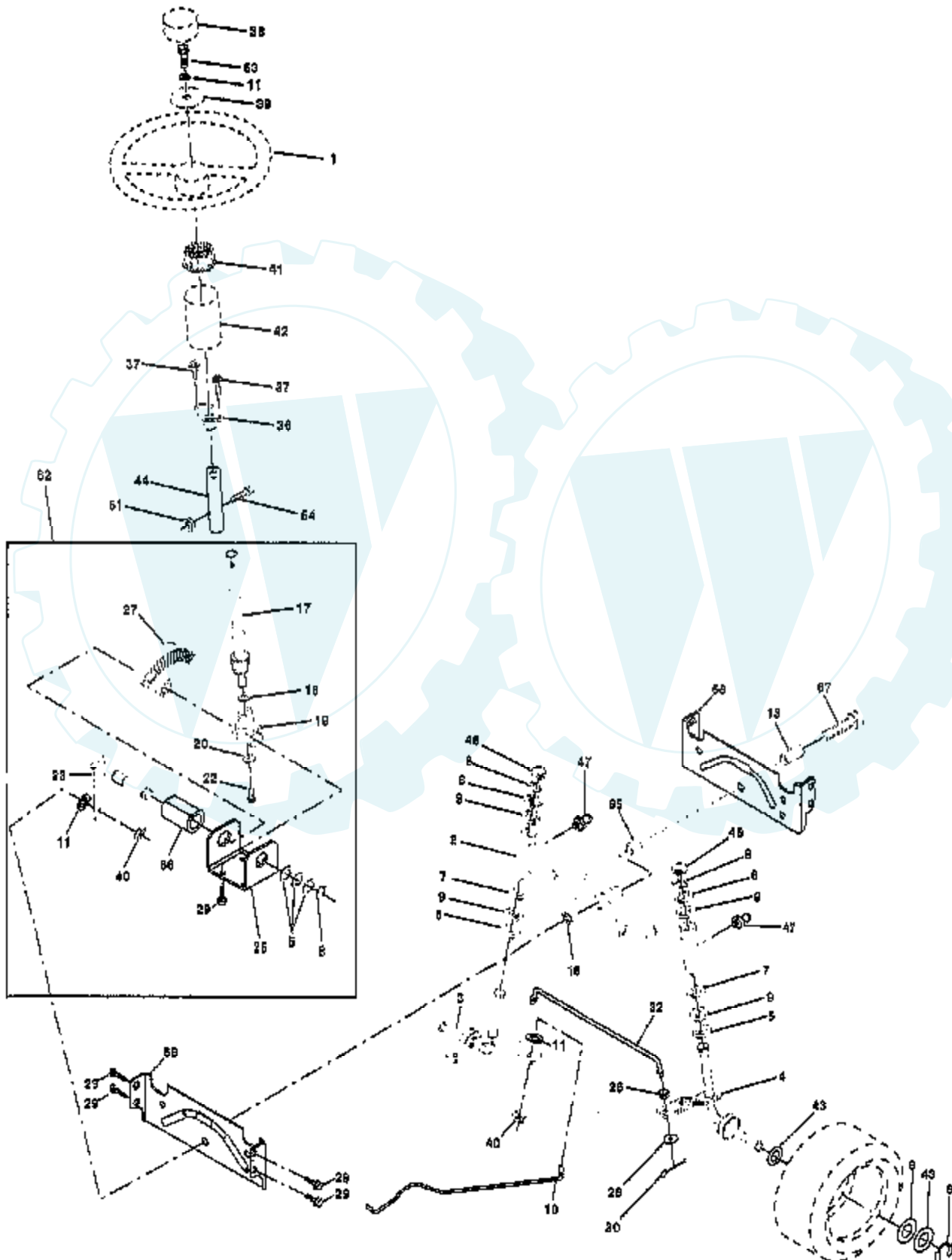
NOTE: All component dimensions given in U.S. Inches  
1 Inch = 25.4 mm.

| Ref # | Part Number | Qty | Description       |
|-------|-------------|-----|-------------------|
| 1     | 127427      |     | SUB= 140119       |
| 2     | 140551      |     | BRACKET PVT SEAT  |
| 3     | 74760616    |     | BOLT              |
| 4     | 19131610    |     | WASHER PM         |
| 5     | 145006      |     | CLIP.PUSH-IN.HING |
| 6     | 73800600    |     | NUT               |
| 7     | 124181X     |     | SPRING COMPRESSIO |
| 8     | 17490616    |     | SCREW GTV         |
| 9     | 19131614    |     | WASHER            |
| 10    | 155925      |     | PAN-SEAT          |
| 12    | 121246X     |     | BRKT SWITCH       |
| 13    | 121248X     |     | BUSHING           |
| 14    | 72050411    |     | SUB= 872050411    |
| 15    | 134300      |     | SPLIT SPACER      |
| 16    | 121250X     |     | SPRING            |
| 17    | 123976X     |     | SUB= 73900400     |
| 21    | 153236      |     | "BOLT,SHOULDER"   |
| 22    | 73800500    |     | NUT               |
| 23    | 74780814    |     | BOLT              |
| 24    | 19171912    |     | WASHER            |
| 25    | 127018X     |     | "BOLT,SHOULDER"   |
| 26    | 10040800    |     | LOCKWASHER        |



# TRACTOR - - MODEL NUMBER WE1642B

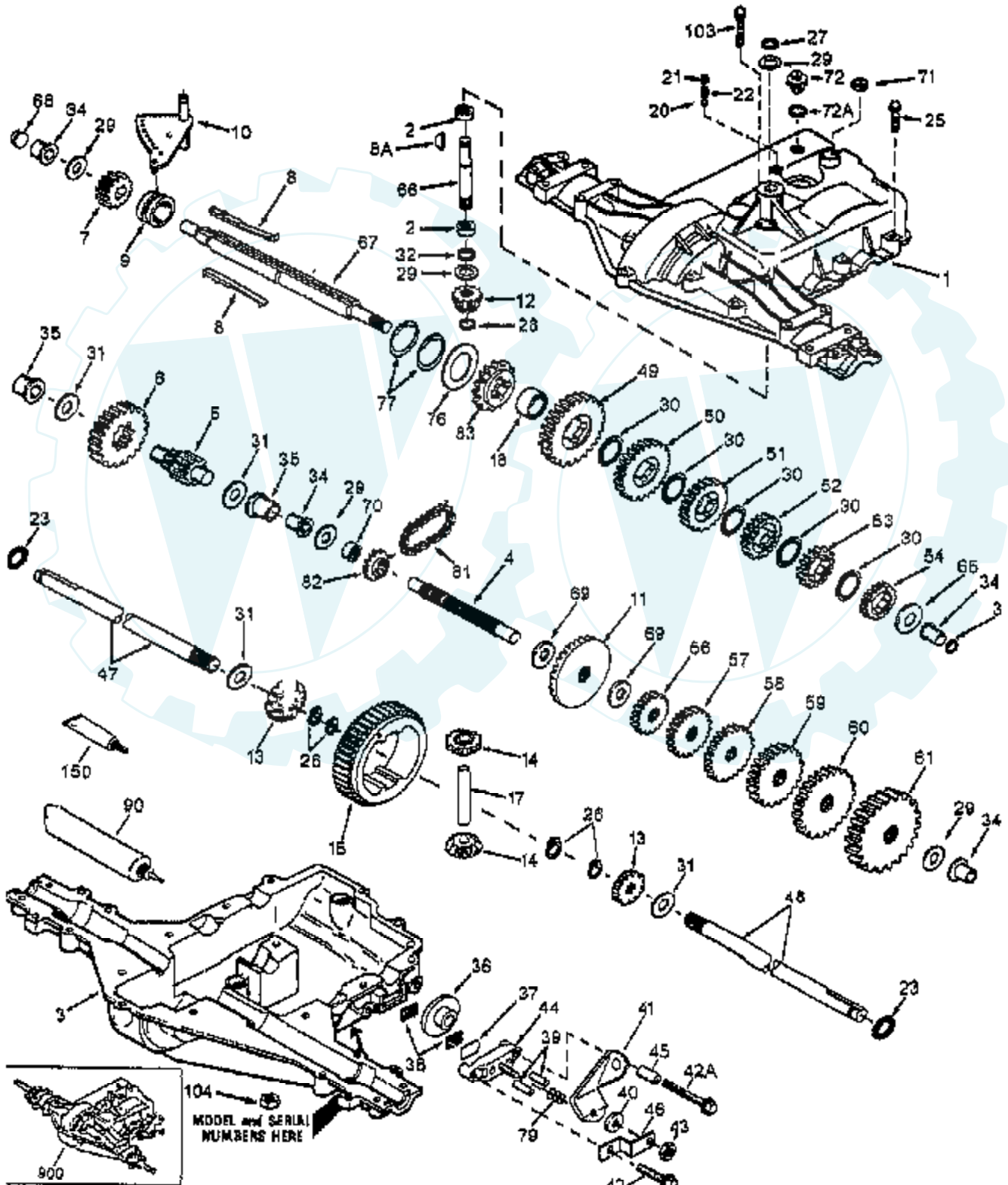
## STEERING ASSEMBLY



| Ref # | Part Number | Qty | Description         |
|-------|-------------|-----|---------------------|
| 1     | 140044      |     | WHEEL STR AYP BLK   |
| 2     | 154427      |     | AXLE ASM            |
| 3     | 156483      |     | SPINDLE.ASM.LH      |
| 4     | 157473      |     | "SPINDLE ASM,RH"    |
| 5     | 6266H       |     | WASHER .T           |
| 6     | 121748X     |     | WASHER              |
| 7     | 19272016    |     | WASHER              |
| 8     | 12000029    |     | RING                |
| 9     | 3366R       |     | COL. SRTG. BEAR.    |
| 10    | 156438      |     | DRAGLINK-STAMPED    |
| 11    | 10040600    |     | LOCKWASHER          |
| 13    | 154779      |     | BEARING AXLE        |
| 15    | 73901000    |     | "NUT-LOC,FLANGE LT" |
| 17    | 156546      |     | SHAFT ASM STEERIN   |
| 18    | 57079       |     | THRUST WASHER       |
| 19    | 124035X     |     | SUPPORT.SHAFT       |
| 20    | 126684X     |     | SUB= 532126684      |
| 22    | 71200410    |     | SCREW HEX SOC1/4-   |
| 23    | 127501      |     | SUB= 918127501      |
| 25    | 154406      |     | BRKT-STEERING       |
| 26    | 126847X     |     | BUSHING.DRAGLINK    |
| 27    | 136874      |     | GEAR SECTOR         |
| 28    | 19131416    |     | WASHER              |
| 29    | 17490612    |     | SCREW               |
| 30    | 76020412    |     | COTTER PIN          |
| 32    | 130465      |     | TIE ROD             |
| 36    | 155099      |     | BUSHING.STEERING    |
| 37    | 152927      |     | "SCREW-TT,10-32 FL" |
| 38    | 140045      |     | CAP STEER AYP       |
| 39    | 19133808    |     | WASHER T            |
| 40    | 7810H       |     | GRIPCO NUT          |
| 41    | 100711L     |     | ADAPTER LT          |
| 42    | 145054      |     | BOOT.STEER.PL       |
| 43    | 121749X     |     | WASHER              |
| 44    | 153720      |     | EXT SHAFT STEERIN   |
| 46    | 121232X     |     | CAP                 |
| 47    | 6855M       |     | ZERK M              |
| 51    | 73800500    |     | NUT                 |
| 54    | 74780520    |     | BOLT                |
| 62    | 156594      |     | KIT STEERING ASM    |
| 63    | 74780616    |     | BOLT                |
| 65    | 154780      |     | SPACER AXLE         |
| 66    | 154404      |     | "BEARING-ARM,PITMA" |
| 67    | 74781044    |     | BOLT                |
| 68    | 154429      |     | BRACE AXLE          |

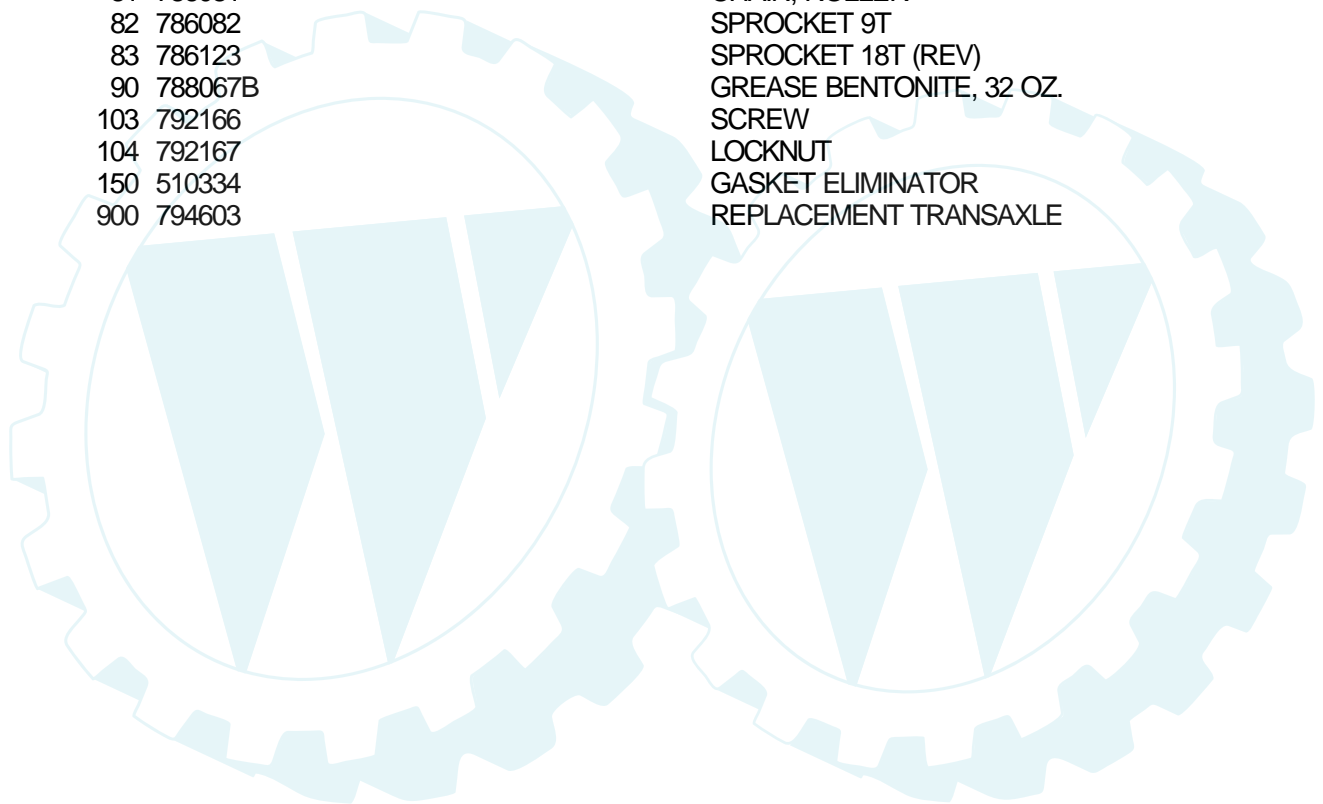
# TRACTOR - - MODEL NUMBER WE1642B TRANSAXLE PEERLESS - MODEL NUMBER P930-055

## TRANSAXLE



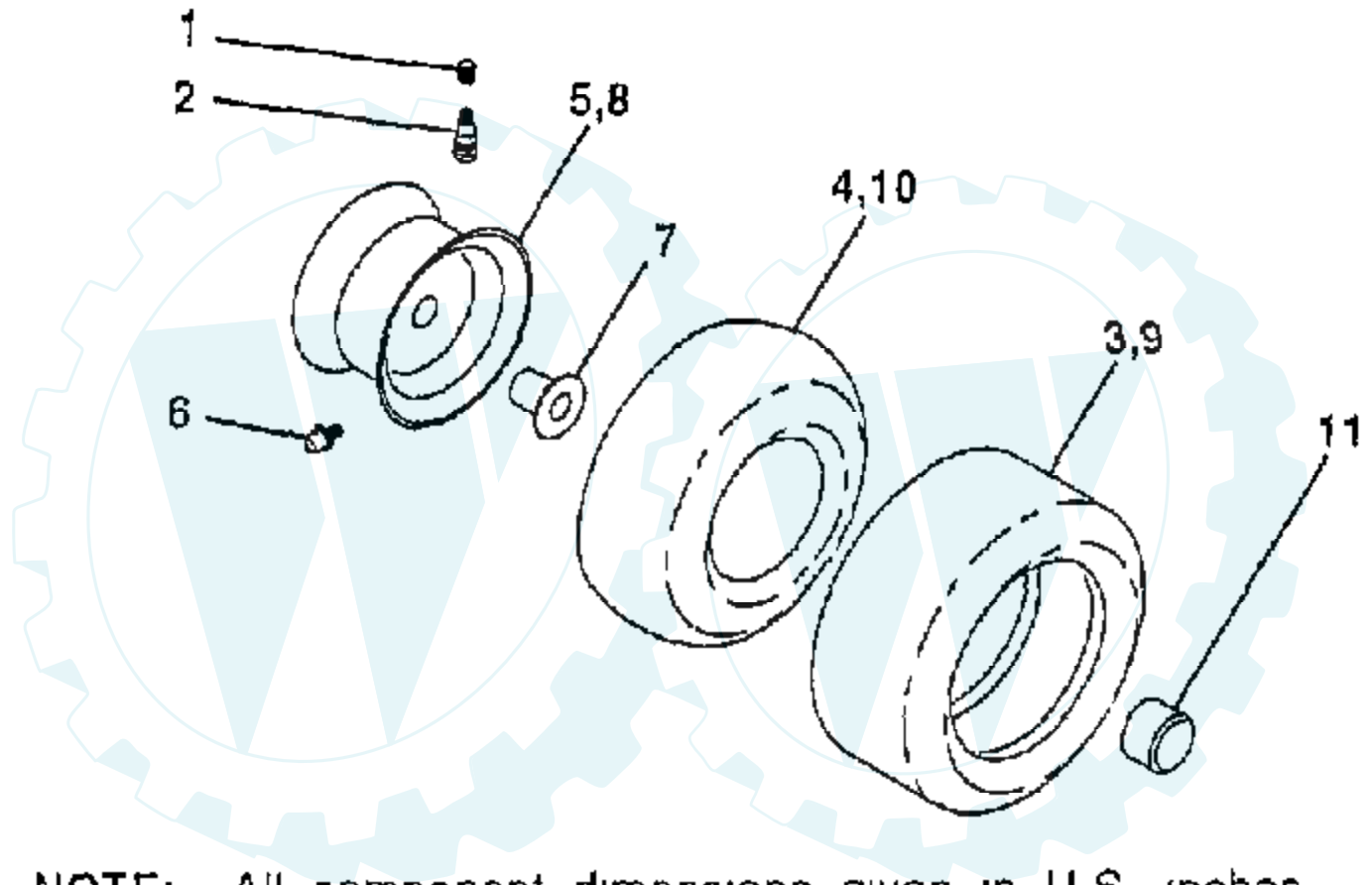
| Ref # | Part Number | Qty | Description             |
|-------|-------------|-----|-------------------------|
| 1     | 772108A     |     | TRANSAXLE COVER         |
| 2     | 780086      |     | BEARING, NEEDLE         |
| 3     | 770102A     |     | TRANSAXLE CASE          |
| 4     | 776260      |     | SHAFT, COUNTER          |
| 5     | 776219B     |     | OUTPUT SHAFT AND PINION |
| 6     | 778139      |     | GEAR, OUTPUT            |
| 7     | 778136      |     | GEAR, SPUR, 15 TEETH    |
| 8     | 792136A     |     | SHIFT KEY               |
| 8A    | 792047      |     | KEY, WOODRUFF           |
| 9     | 784352      |     | COLLAR, SHIFTER         |
| 10    | 784355      |     | ROD & FORK ASSY, SHIFT  |
| 11    | 778229      |     | GEAR, BEVEL, 42 TEETH   |
| 12    | 778113A     |     | BEVEL PINION, INPUT     |
| 13    | 778221      |     | GEAR, BEVEL             |
| 14    | 778068      |     | GEAR, BEVEL, PINION     |
| 15    | 778260      |     | GEAR, RING              |
| 17    | 786139      |     | PIN, DRIVE              |
| 18    | 786102      |     | SPACER, NEUTRAL         |
| 20    | 792077      |     | BALL STEEL, 5/16" DIA.  |
| 21    | 792078      |     | SCREW, 3/8-16 X 3/8"    |
| 22    | 792079      |     | SPRING                  |
| 23    | 788061      |     | RING, SEAL              |
| 25    | 792073      |     | SCREW, 1/4-20 X 1-1/4   |
| 26    | 792125      |     | RING RETAINER           |
| 27    | 792035      |     | RING, RETAINER          |
| 28    | 788040      |     | RETAINING RING          |
| 29    | 780072      |     | WASHER THRUST           |
| 30    | 780108      |     | WASHER THRUST           |
| 31    | 780001      |     | WASHER                  |
| 32    | 792001      |     | "O" RING                |
| 33    | 788095      |     | SEAL, SQUARE CUT        |
| 34    | 780105A     |     | BUSHING, FLANGED        |
| 35    | 780118A     |     | BUSHING, FLANGED        |
| 36    | 790003      |     | DISK, BRAKE             |
| 37    | 790007      |     | PLATE BRAKE PAD         |
| 38    | 799021      |     | BRAKE PAD               |
| 39    | 786026      |     | PIN DOWEL               |
| 40    | 792076A     |     | WASHER                  |
| 41    | 790079      |     | BRAKE LEVER             |
| 42    | 792073      |     | SCREW, 1/4-20 X 1-1/4   |
| 42A   | 792085A     |     | SCREW, 1/4-20 X 2-1/4   |
| 43    | 792075      |     | LOCKNUT 5/16-24         |
| 44    | 790025      |     | HOLDER BRAKE PAD        |
| 45    | 786066      |     | SPACER                  |
| 46    | 786086      |     | BRKT BRAKE LEVER        |
| 47    | 774690      |     | AXLE                    |
| 48    | 774691      |     | AXLE                    |
| 49    | 778215      |     | GEAR, SPUR, 37 TEETH    |
| 50    | 778125      |     | GEAR, SPUR, 35 TEETH    |
| 51    | 778124A     |     | GEAR, SPUR, 30 TEETH    |
| 52    | 778123A     |     | GEAR, SPUR, 25 TEETH    |
| 53    | 778122A     |     | GEAR, SPUR, 22 TEETH    |
| 54    | 778273      |     | GEAR, SPUR, 19T         |
| 56    | 778230      |     | GEAR, SPUR, 12 TEETH    |
| 57    | 778151      |     | GEAR, SPUR, 15 TEETH    |
| 58    | 778126A     |     | GEAR, SPUR, 20 TEETH    |
| 59    | 778127A     |     | GEAR, SPUR, 25 TEETH    |
| 60    | 778128A     |     | GEAR, SPUR, 28 TEETH    |

| Ref # | Part Number | Qty | Description              |
|-------|-------------|-----|--------------------------|
| 61    | 778163      |     | GEAR, SPUR, 31 TEETH     |
| 65    | 780109      |     | WASHER, THRUST           |
| 66    | 776135      |     | SHAFT, INPUT             |
| 67    | 776315A     |     | SHAFT, BRAKE, 4 KEYED    |
| 68    | 786116A     |     | PLUG                     |
| 69    | 780051      |     | WASHER THRUST            |
| 70    | 786118      |     | SPACER                   |
| 71    | 788069      |     | SEAL SQUARE CUT          |
| 72    | 792165      |     | THREADED PLUG 9/16-18    |
| 72A   | 788091      |     | "O" RING                 |
| 76    | 780090      |     | WASHER, THRUST           |
| 77    | 788078A     |     | INVERTED RETAINING RING  |
| 79    | 792144      |     | SPRING                   |
| 81    | 786081      |     | CHAIN, ROLLER            |
| 82    | 786082      |     | SPROCKET 9T              |
| 83    | 786123      |     | SPROCKET 18T (REV)       |
| 90    | 788067B     |     | GREASE BENTONITE, 32 OZ. |
| 103   | 792166      |     | SCREW                    |
| 104   | 792167      |     | LOCKNUT                  |
| 150   | 510334      |     | GASKET ELIMINATOR        |
| 900   | 794603      |     | REPLACEMENT TRANSAXLE    |



# TRACTOR - - MODEL NUMBER WE1642B

## WHEELS & TIRES



**NOTE:** All component dimensions given in U S inches  
1 inch = 25.4 mm.



| Ref # | Part Number | Qty | Description              |
|-------|-------------|-----|--------------------------|
| 1     | 59192       |     | VALVE CAP                |
| 2     | 65139       |     | VALVE STEM LT            |
| 3     | 106222X     |     | SUB= 122073X             |
| 4     | 59904       |     | TUBE.5.3/4.5/6           |
| 5     | 106732X427  |     | "RIM ASM 6"" FRT"        |
| 6     | 278H        |     | FITTING LT               |
| 7     | 9040H       |     | "FLANGE, BEARING"        |
| 8     | 106108X427  |     | "RIM AS 8"" REAR"        |
| 9     | 138468      |     | TIRE.20X8-8              |
| 10    | 7152J       |     | TUBE.18X9.5-8            |
| 11    | 104757X     |     | HUB CAP                  |
|       | 144334      |     | SEALANT.TIRE 10 OZ. TUBE |

