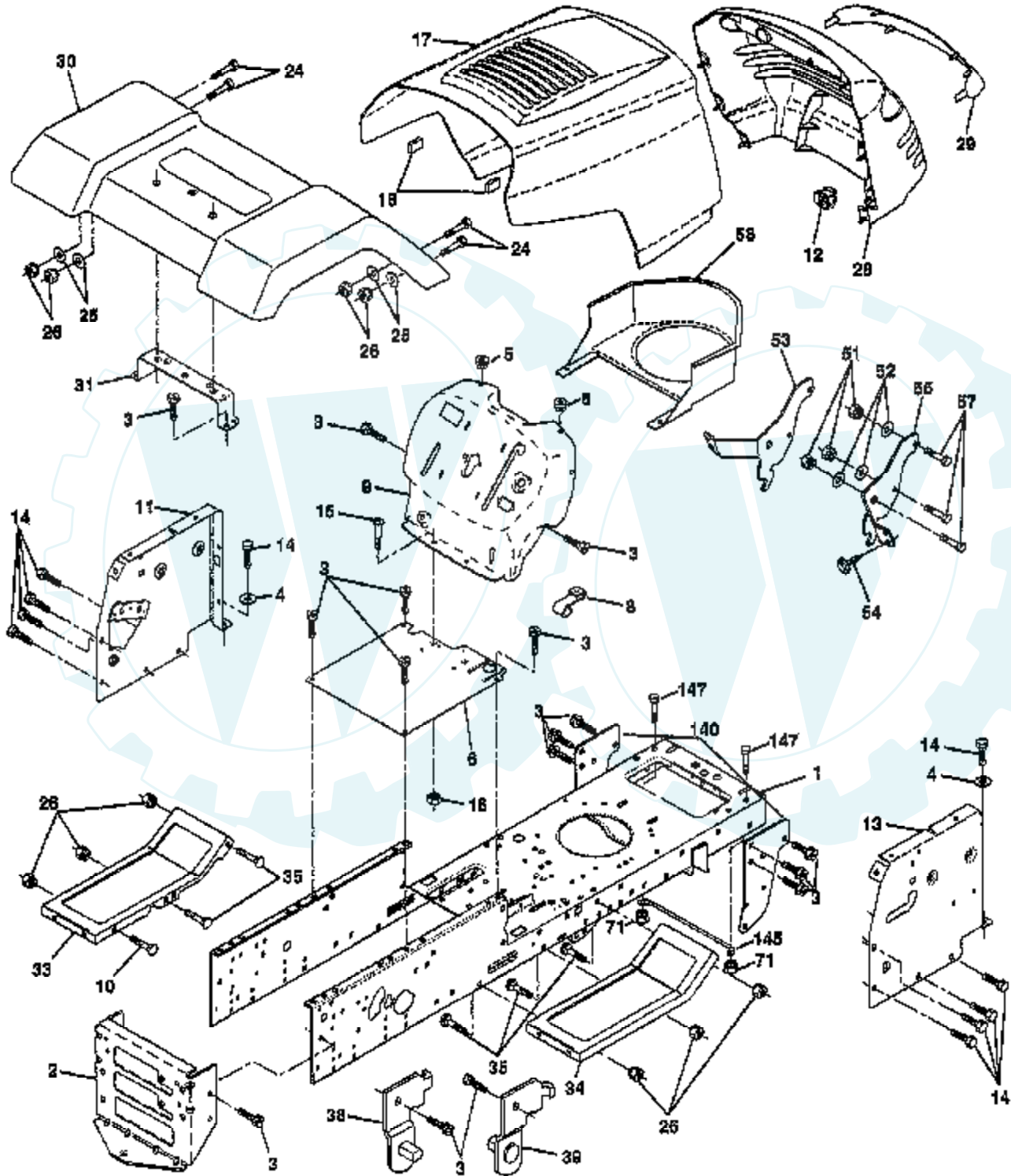


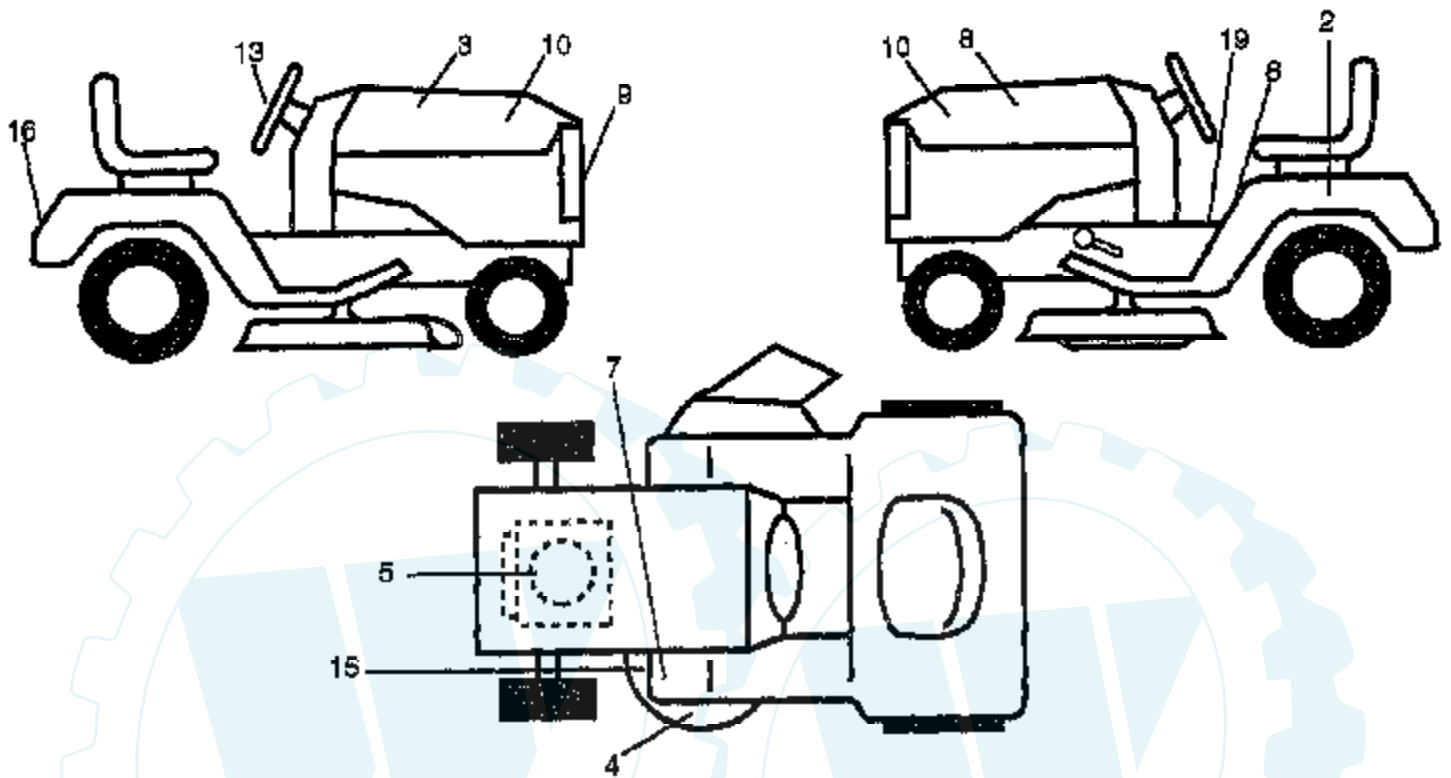
TRACTOR -- MODEL NUMBER WE145H42B
CHASSIS AND ENCLOSURES



Ref #	Part Number	Qty	Description
1	159530		CHASSIS ASM
2	140356		SUB= 145009
3	17490612		SCREW
4	19131216		WASHER
5	155272		BUMPER-HOOD/DASH
6	155923		SADDLE
8	155138		CLIP.RETAINER
9	147627X011		DASH.SILKSCREENED
10	72140608		SUB= 72110608
11	155927		"PANEL-DASH,LH"
12	145660		CLIP.TINNERMAN
13	155934X010		SUB= 169117X010
14	17490608		SCREW LT
15	74180512		SCREW
16	73510500		NUT
17	159639X550		HOOD.STEEL.ASSY
18	126398X		BUMPER HOOD
24	74780616		BOLT
25	19131312		WASHER
26	73800600		NUT
28	157373		GRILLE-MS428
29	140273		LENS GRILLE
30	140001X550		FENDER PNT
31	136619		BRKT FENDER
33	105476X550		FOOTREST.LH.PERF.
34	105475X550		FOOTREST.RH.PERF.
35	72110606		BOLT
38	139886		BRACKET ASM LH
39	139887		BRACKET ASM RH
51	73800400		NUT
52	19091416		WASHER
53	144697		BRACKET.GRILLE.LH
54	17030814		SUB= 91817030814
55	144696		BRACKET.GRILLE.RH
57	74780412		SUB= 74780414
58	150127		AIR DUCT
71	73680400		SUB= 73690400
140	158418		BRKT SUSPENSION
145	156524		"ROD POVOT,CHASSIS"
147	74760412		BOLT LT
	5479J		PLUG BUTTON T

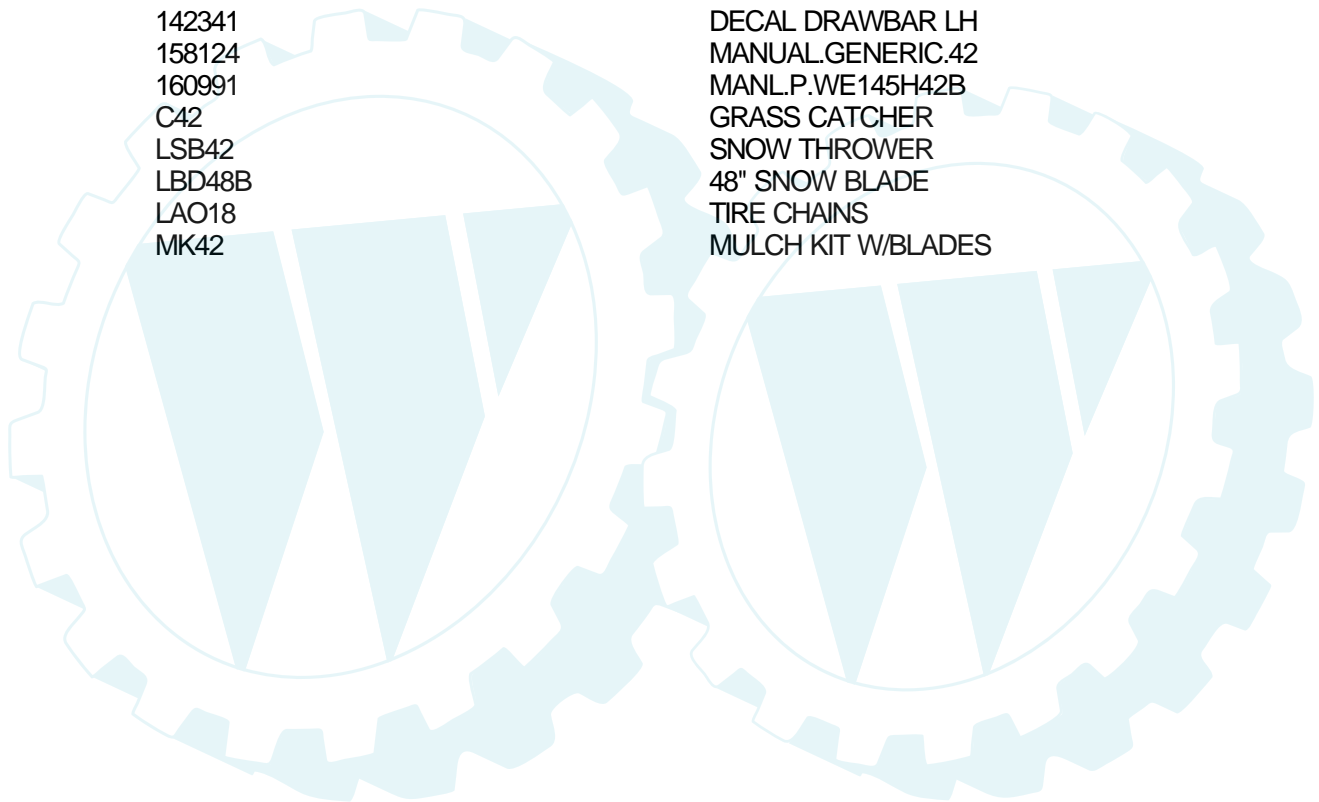
TRACTOR - - MODEL NUMBER WE145H42B

DECALS



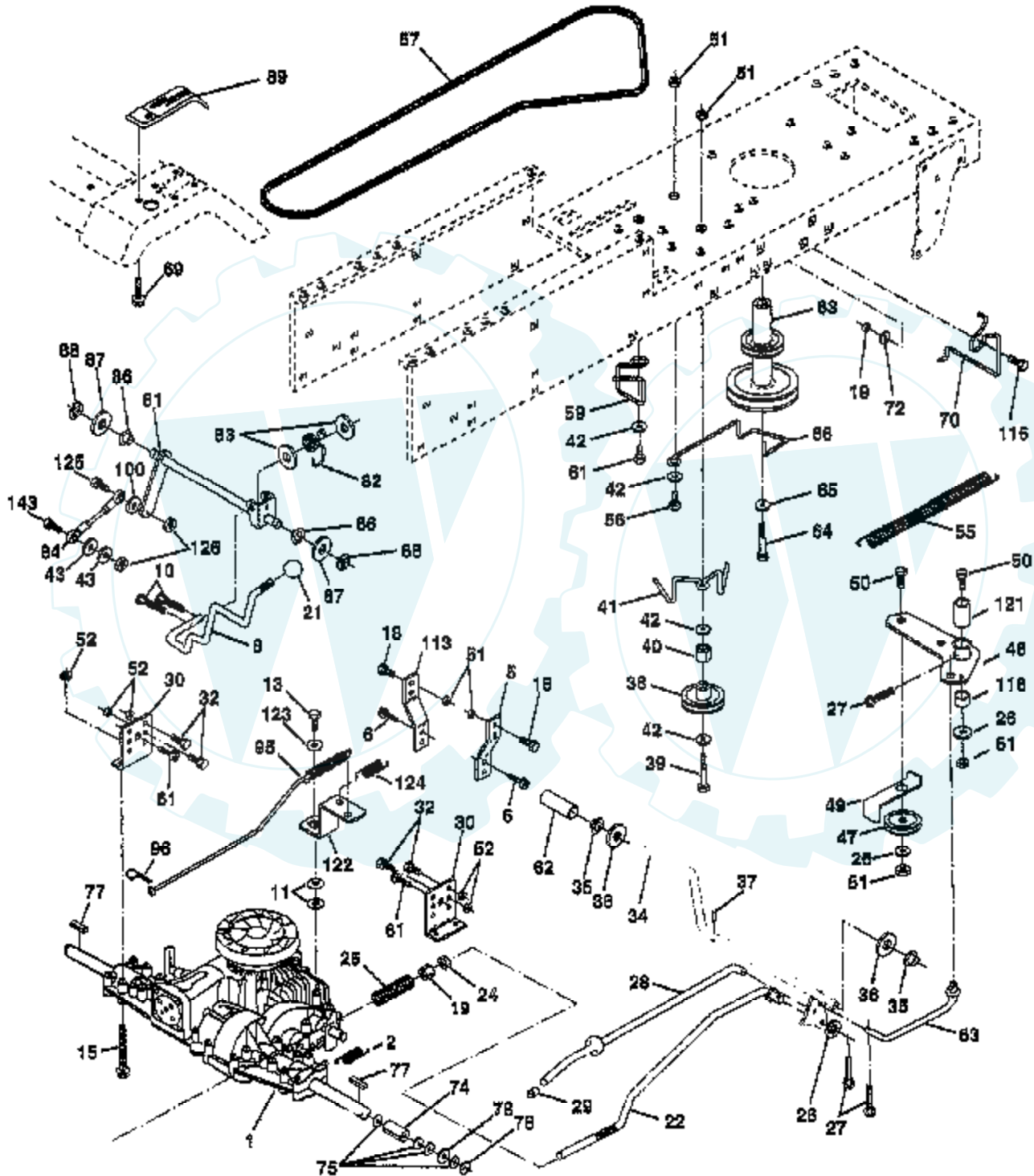
NOTE: All component dimensions given in U.S. inches
1 inch = 25,4 mm.

Ref #	Part Number	Qty	Description
2	145005		DECAL.BATRY.3-3908
3	156609		"DECAL HOOD,RH"
4	158894		DECAL DECK
5	272991		DECAL, ENGINE
6	157002		"DECAL DANGER,FEND"
7	4900J		DECAL T
8	156610		DECAL HOOD LH
9	159020		"DECAL GRILLE,LENS"
10	159333		"DECAL.PANEL,SIDE"
13	156604		"DECAL INS,STRG WH"
15	136832		DECAL
16	160396		"DECAL-SCHEM,BELT"
19	156868		"DECAL INST,SADDLE"
	138311		DECAL HANDLE LIFT
	142341		DECAL DRAWBAR LH
	158124		MANUAL.GENERIC.42
	160991		MANL.P.WE145H42B
	C42		GRASS CATCHER
	LSB42		SNOW THROWER
	LBD48B		48" SNOW BLADE
	LAO18		TIRE CHAINS
	MK42		MULCH KIT W/BLADES



TRACTOR - - MODEL NUMBER WE145H42B

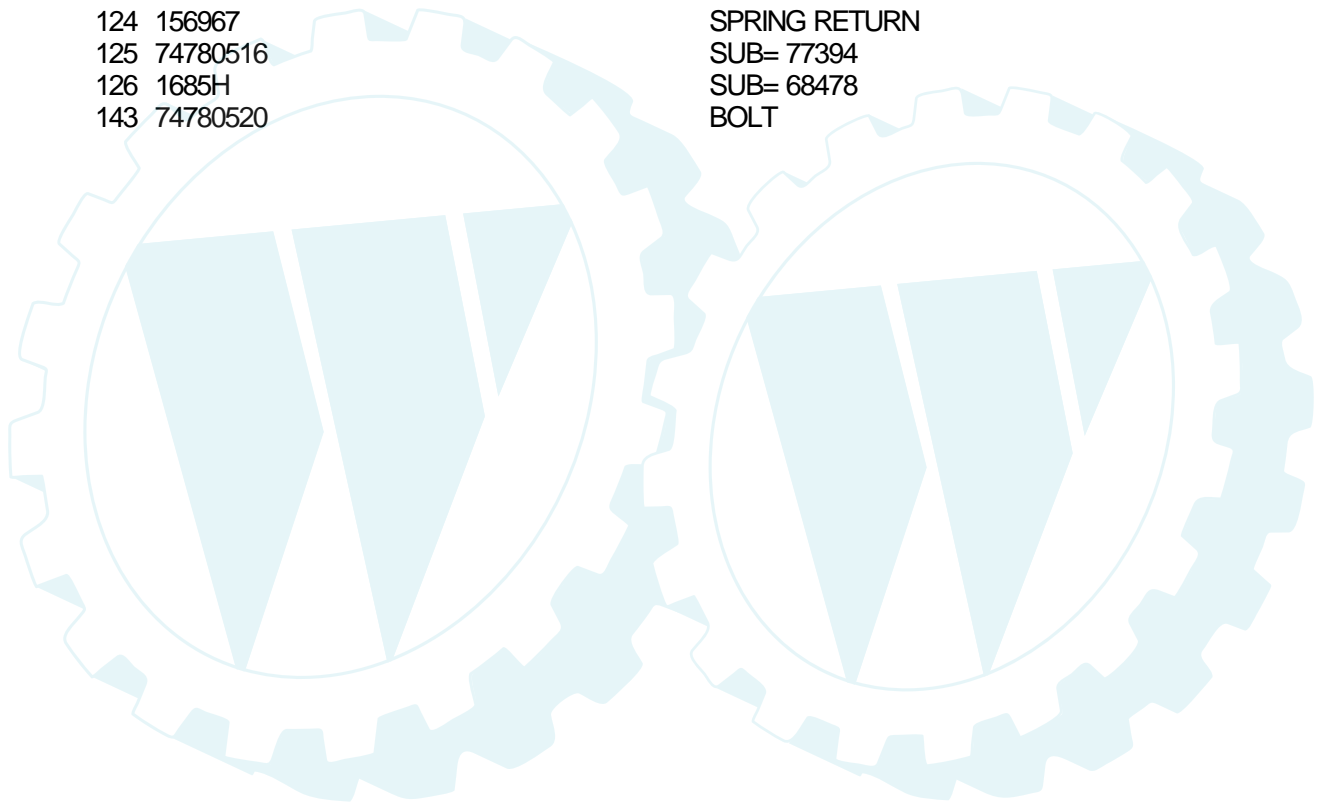
DRIVE





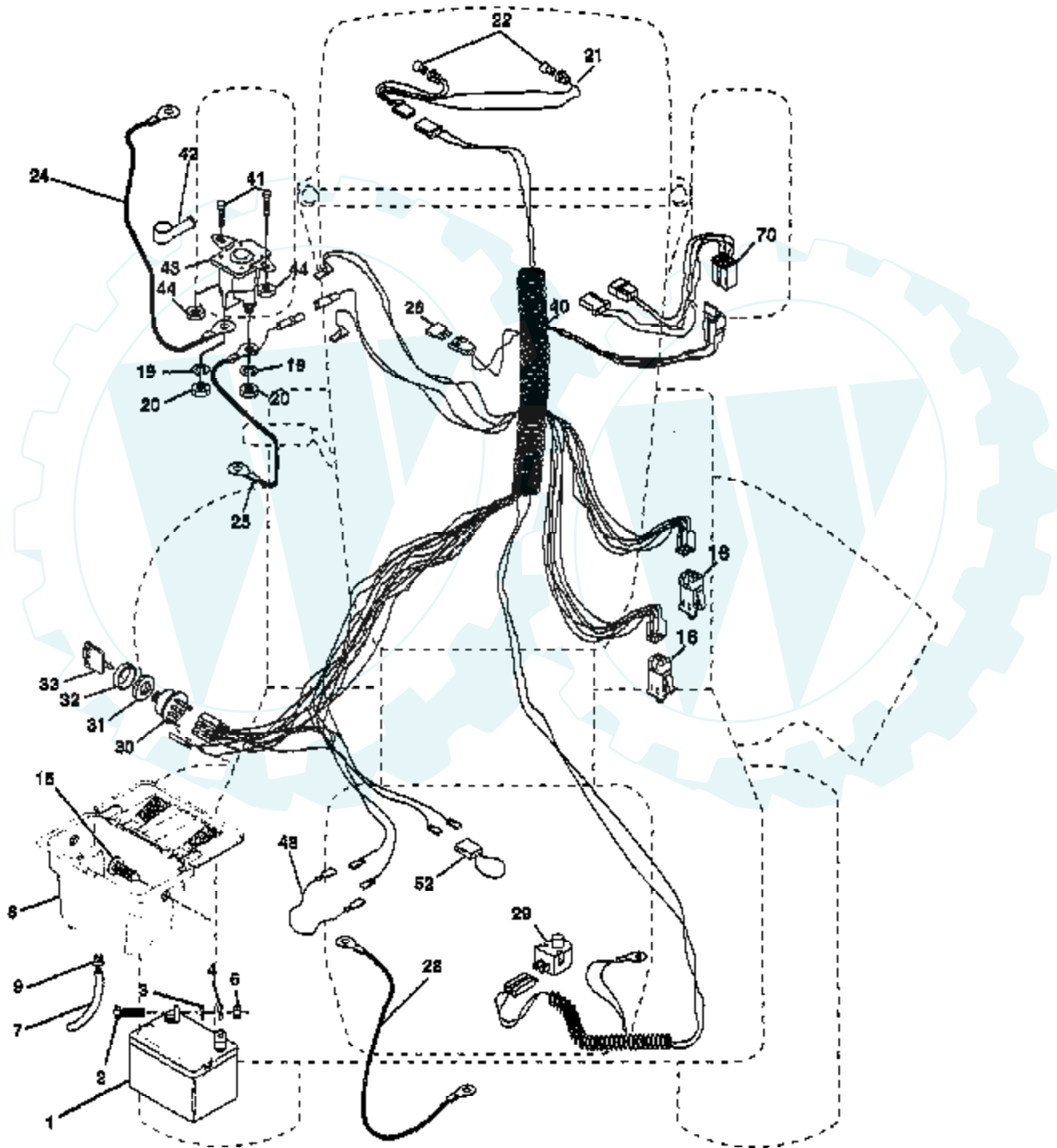
Ref #	Part Number	Qty	Description
2	146682		SPRING.BRAKE.RETU
5	121520X		STRAP TORQUE
6	17490512		SCREW
8	141003		ROD SHIFT FEND LT
10	76020416		PIN COTTER 1/8
11	105701X		WASH-SHFT PLT LT
13	74550412		BOLT.1/4-28.W/PAT
15	74490544		BOLT.HX.FLG.5/16
18	74780616		BOLT
19	73800600		NUT
21	106933X		KNOB T (1/2-HOLE)
22	130804		BRAKE ROD
24	73350600		NUT
25	106888X		SPRING ROD LT
26	19131316		WASHER
27	76020412		COTTER PIN
28	145204		ROD.BRAKE.PARK.LT
29	71673		PLUNGER CAP T
30	130807		TRANSAXLE MTG BKT
32	74760512		BOLT
34	155071		SHAFT ASM-PEDAL F
35	120183X		NYLON BEARING
36	19211616		WASHER LT
37	1572H		SUB= 2882J
38	123674X		PULLEY.IDLER.FLAT
39	74760644		BOLT
40	4470J		SPACER T
41	154777		SUB= 165692
42	19131312		WASHER
43	19111012		WASHER T
47	127783		SUB= 139245
48	154604		BELLCRANK ASM
49	123205X		RETAIN BELT
50	74760624		SUB= 74930624
51	73680600		SUB= 73690600
52	73680500		SUB= 73690500
53	105710X		"LINK, CLUTCH T"
55	105709X		"SPRING, RETURN LT"
56	74760620		SUB= 74780620
57	156971		"V-BELT,GRD DRIVE"
59	140312		KEEPER BELT CNTSP
61	17490612		SCREW
62	8883R		PEDAL COVER T
63	140186		PULLEY.ENGINE
64	71170764		BOLT
65	10040700		LOCKWASHER
66	154778		KEEPER-BELT
69	142432		SCREW HEXWSH H-L
70	134683		KEEPER BELT ENG
72	19132012		WASHER
74	156972		"SPACER AXLE,PVST"
75	121749X		WASHER
76	12000001		E-RING LT
77	123583X		SQUARE KEY
78	121748X		WASHER
81	158461		SHAFT ASM CROSS
82	123782X		"SPRING TORSION"
83	19171216		WASHER

Ref #	Part Number	Qty	Description
84	158286		ROD TIE
86	71208		BUSHING
87	19212016		WASHER D
88	12000008		KLIP RING
89	151147		SUB= 164893
95	156970		ROAD ASM BYPASS
96			CHECK WITH SUPPLIER
100	19111216		WASHER M
113	127285X		"STRAP,TORQUE"
116	72110610		BOLT RDHD 3/8-16
118	154774		SPACER-BELLCRANK
121	154419		NYLINER-CLUTCHING
122	156963		"PLATE-BYPASS,PVST"
123	19091016		WASHER
124	156967		SPRING RETURN
125	74780516		SUB= 77394
126	1685H		SUB= 68478
143	74780520		BOLT



TRACTOR -- MODEL NUMBER WE145H42B

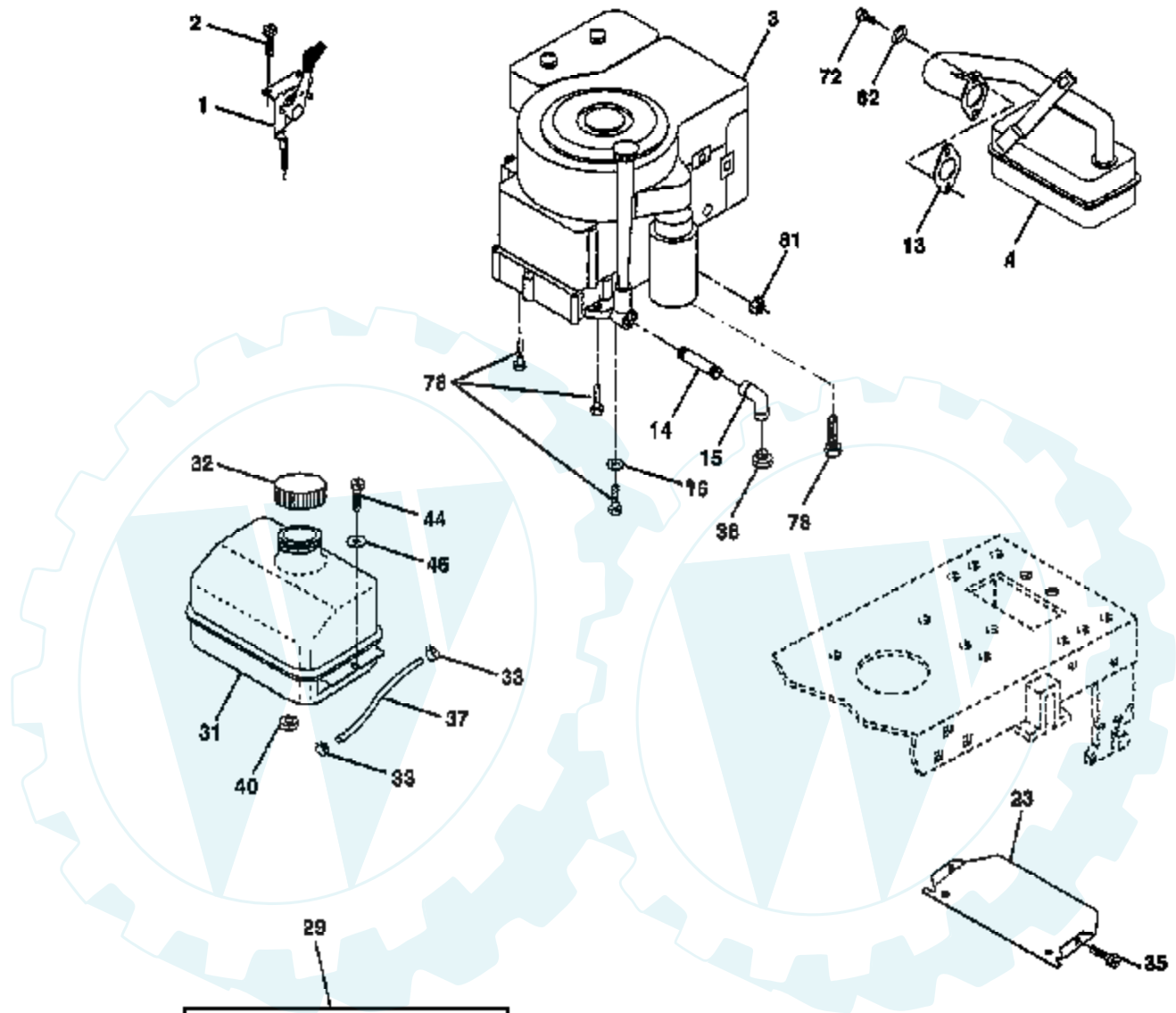
ELECTRICAL



Ref #	Part Number	Qty	Description
1	144925		SUB= 123899X
2	74760412		BOLT LT
3	19091016		WASHER
4	10040400		LOCKWASHER
6	73220400		SUB= 50675
7	109238X		TUBE T
8	156417		"CASE,BATTERY.MECH"
9	109596X		HOSE CLAMP T
15	147688		FASTNER.SNAP-IN
16	153664		SWITCH INTERLOCK
19	10090400		SUB= 10040400
20	73350400		NUT
21	136850		"HARNES,LIGHT SOC"
22	4152J		HEADLAMP BULB
24	4799J		"CABLE T, BATTERY"
25	146147		CABLE.BTRY.6GA.RD
26	108824X		FUSE HYT
28	4207J		CABLE T
29	121305X		SWITCH SEAT
30	140301		SWITCH IGN 4POS
31	124211X		NUT IGNITION
32	141226		COVER KEY SWITCH
33	122147X		KEY
40	156442		HARNES-IGNITION
41	71110408		BOLT HXHD FIN
42	131563		SUB= 154336
43	145673		SUB= 146154
44	73640400		NUT HXKEP 1/4X20
48	140844		ADAPTER AMMETER
52	141940		PROTECTION LOOP
70	140422		HARNES.ENG.DUAL

TRACTOR -- MODEL NUMBER WE145H42B

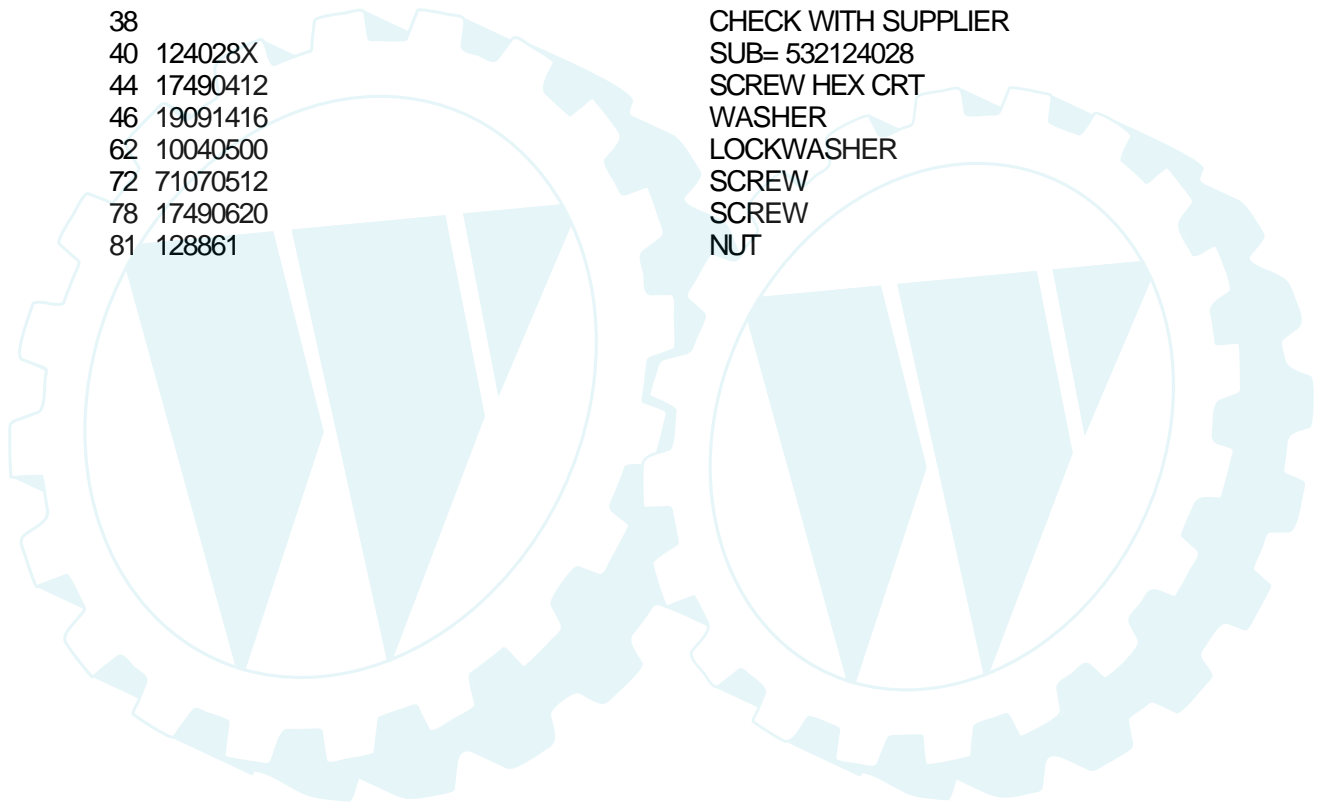
ENGINE



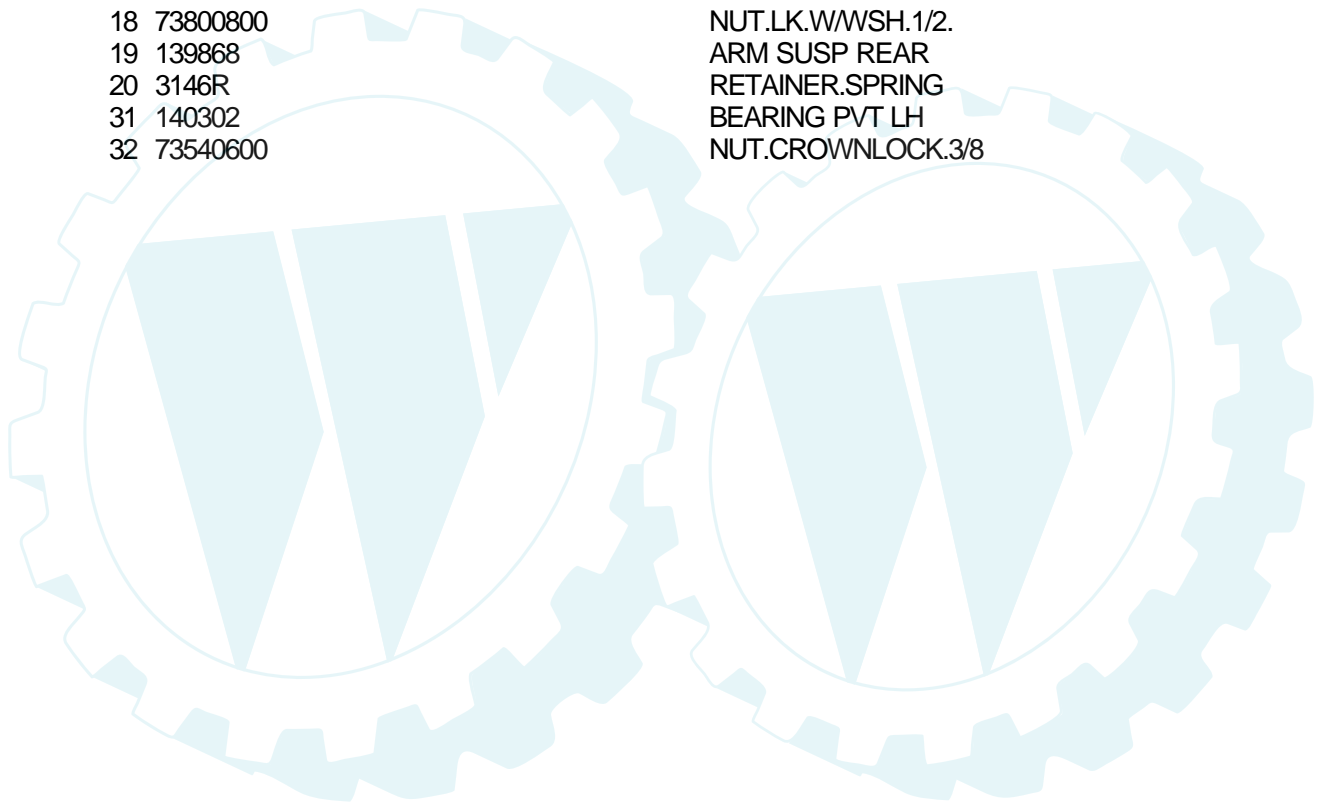
OPTIONAL EQUIPMENT
Spark Arrester

NOTE: All component dimensions given in U.S. inches
1 inch = 25.4 mm.

Ref #	Part Number	Qty	Description
1	140310		CONTROL THROTTLE
2	17720410		SCREW LT
4	137352		MUFFLER
13	272293		GASKET ENG 1 313 LD TIN PLATED
14	13280324		PIPE NIPPLE
15	13200300		ELBOW
16	11050600		LOCKWASHER
23	156123		SHIELD-HEAT
29	137180		SUB= 532137180
31	109202X		TANK.FUEL.LT.
32	140527		CAP ASM FUEL
33	123487X		HOSE CLAMP
35	17490512		SCREW
37	137040		LINE FUEL
38			CHECK WITH SUPPLIER
40	124028X		SUB= 532124028
44	17490412		SCREW HEX CRT
46	19091416		WASHER
62	10040500		LOCKWASHER
72	71070512		SCREW
78	17490620		SCREW
81	128861		NUT

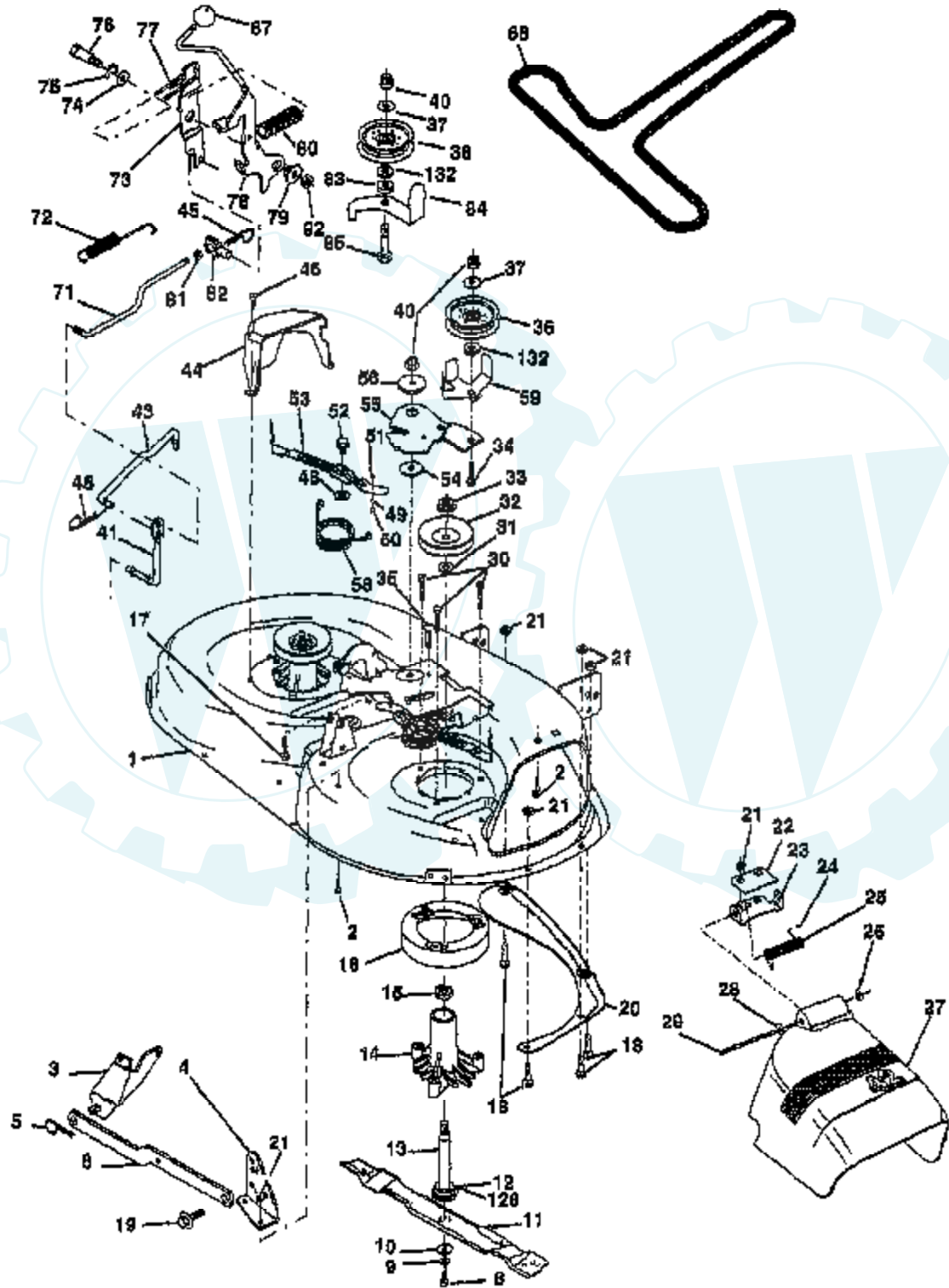


Ref #	Part Number	Qty	Description
1	159460		WIRE ASM W.SPRING
2	159471		"SHAFT ASM LIFT,RH"
3	105767X		PIN-GROOVE LT
4	12000002		SUB= 2225J
5	19211621		WASHER
6	120183X		NYLON BEARING
7	109413X		GRIP
8	124526X		SUB= 125925X
11	139865		SUB= 918139865
12	139866		SUB= 151140
13	4939M		SUB= 85902
15	127218		LINK.FRONT
16	73350800		NUT
17	130171		TRUNION
18	73800800		NUT.LK.W/WSH.1/2.
19	139868		ARM SUSP REAR
20	3146R		RETAINER.SPRING
31	140302		BEARING PVT LH
32	73540600		NUT.CROWNLOCK.3/8



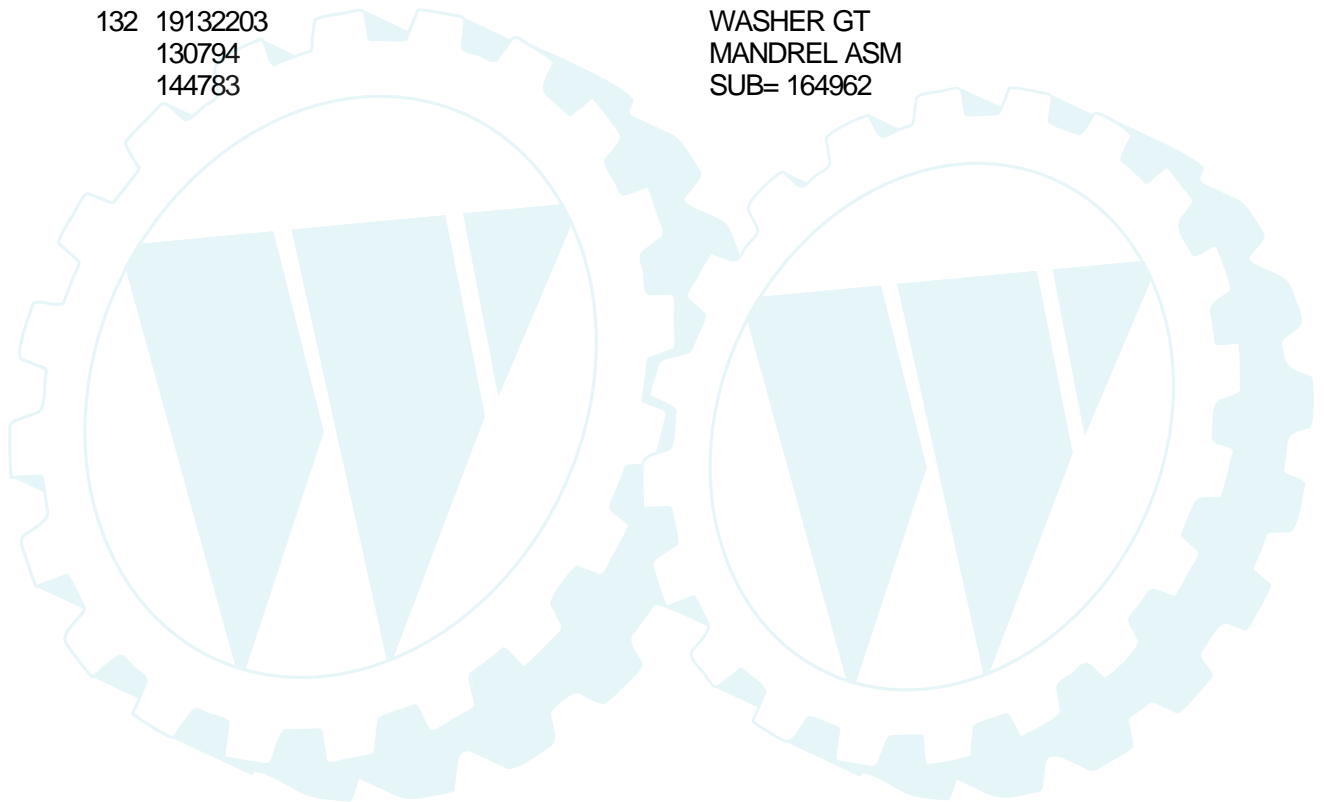
TRACTOR -- MODEL NUMBER WE145H42B

MOWER DECK



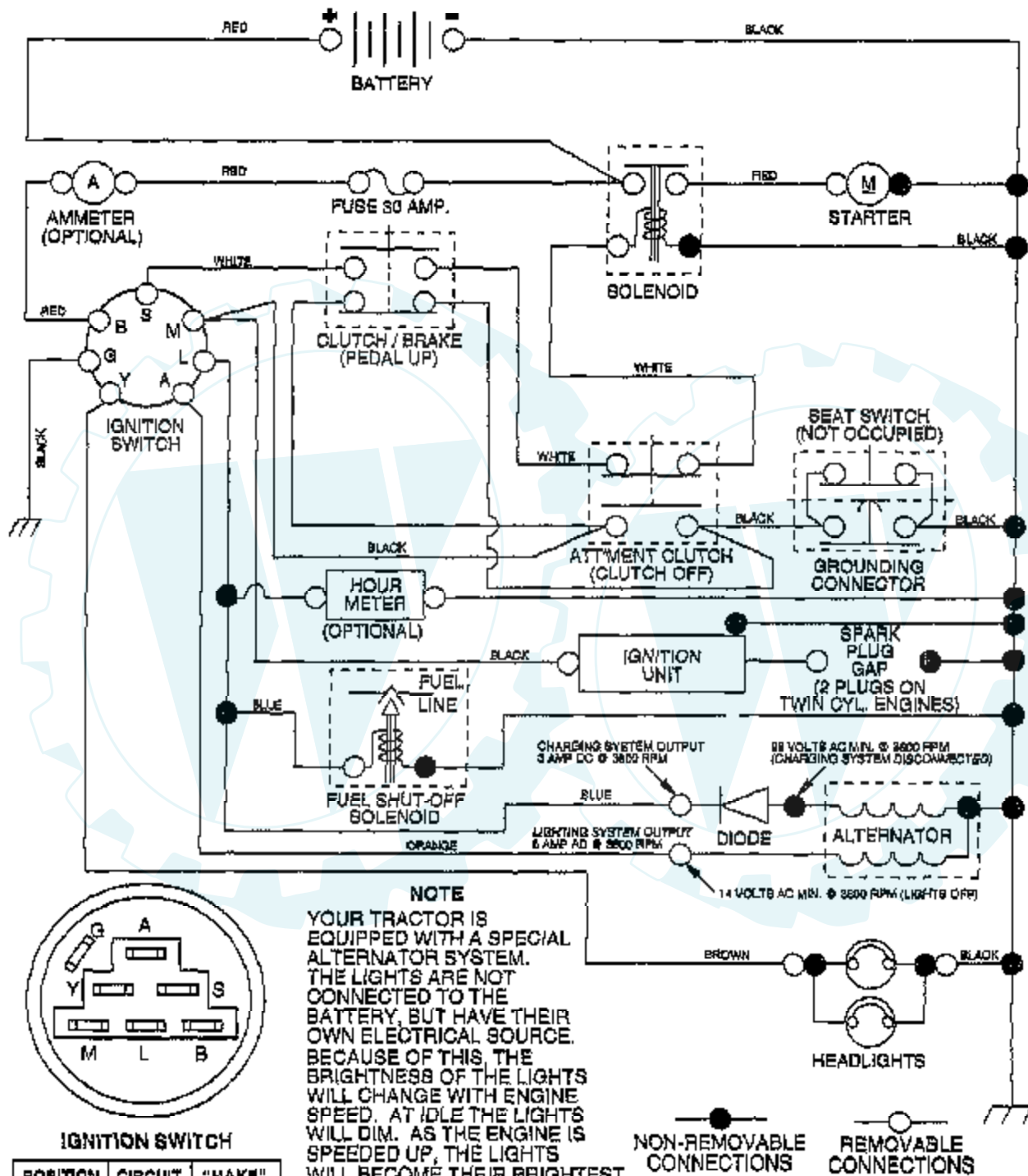
Ref #	Part Number	Qty	Description
1	144393		DECK.WELD.42.
2	72140506		BOLT
3	138017		BRKT ASM SWAY BAR
4	138440		BRKT DECK SW BAR
5	4939M		SUB= 85902
6	130832		SUB= 130833
8	850857		BLADE BOLT
9	10030600		SUB= 10040600
10	140296		WASHER.HARD.BLADE
11	138498		"BLADE.42"" HIPERF"
12	129895		BEARING.BALL
13	137645		SUB= 137646
14	128774		HSG ASM MANDREL
15	110485X		BEARING
16	140329		STRIPPER RND MWR
17	72110610		BOLT RDHD 3/8-16
18	72140505		BOLT
19	132827		BOLT SHD 5/16-18
20	136888		SUB= 918136888
21	73680500		SUB= 73690500
22	134753		STIFFENER BRKT
23	131267		DEFLECTOR BRKT
24			CHECK WITH SUPPLIER
25	123713X		SPRING TORSION
26			CHECK WITH SUPPLIER
27	130968		DEFLECTOR.SHIELD
28	19111016		WASHER
29	131491		HINGE ROD
30	157722		"SCREW-THD ROLL,WA"
31	129963		WASHER
32	153535		PULLEY.MANDREL.42
33	137266		SUB= 139729
34	72110614		BOLT
35	133835		XMAS TREE FASTNER
36	131494		FLAT IDLER PULLEY
37	19131316		WASHER
40	73680600		SUB= 73690600
41	133551		PIVOT ROD
43	140083		ROD CLUTCH W/NIBS
44	140088		GUARD MAND LH BLK
45			CHECK WITH SUPPLIER
46	137729		SCREW.1/4-20X5/8
48	133944		HARD SMALL WASHER
49	155066		ROLLER ASM-CAM
50	131340		SHOULDER BOLT
51	69180		LOCKNUT
52	139888		BOLT.SHLD.5/16-18
53	131845X900		SUB= 131845
54	133943		HARDENED WASHER
55	155046		ARM-IDLER
56	122052X		SPACER RETAINER
58	140086		SPRING TORSN BRAK
59	141043		GUARD IDLER TUV
67	106932X		KNOB T(3/8 HOLE)
68	144200		BELT.V.T-PATH
71	142427		ROD CLUTCH 38/42
72	131870		RETURN SPRING
73	127847		CLUTCH ARM SECOND

Ref #	Part Number	Qty	Description
74	121748X		WASHER
75	12000029		RING
76	128903		SHOULDER BOLT
77	127845		SPRING KEEPER
78	154809		LEVER ASM-CLUTCH
79	127498		BUSHING
80	153701		SPRING.CLUTCH.MWR
81	73350600		NUT
82	142028		TRUNION ADJ
83	120958X		WASHER
84	156084		"KEEPER-BELT,FIXED"
85	72140618		BOLT RDHD 3/8-16
92	73800600		NUT
128	153390		WASHER.FELT.
132	19132203		WASHER GT
	130794		MANDREL ASM
	144783		SUB= 164962



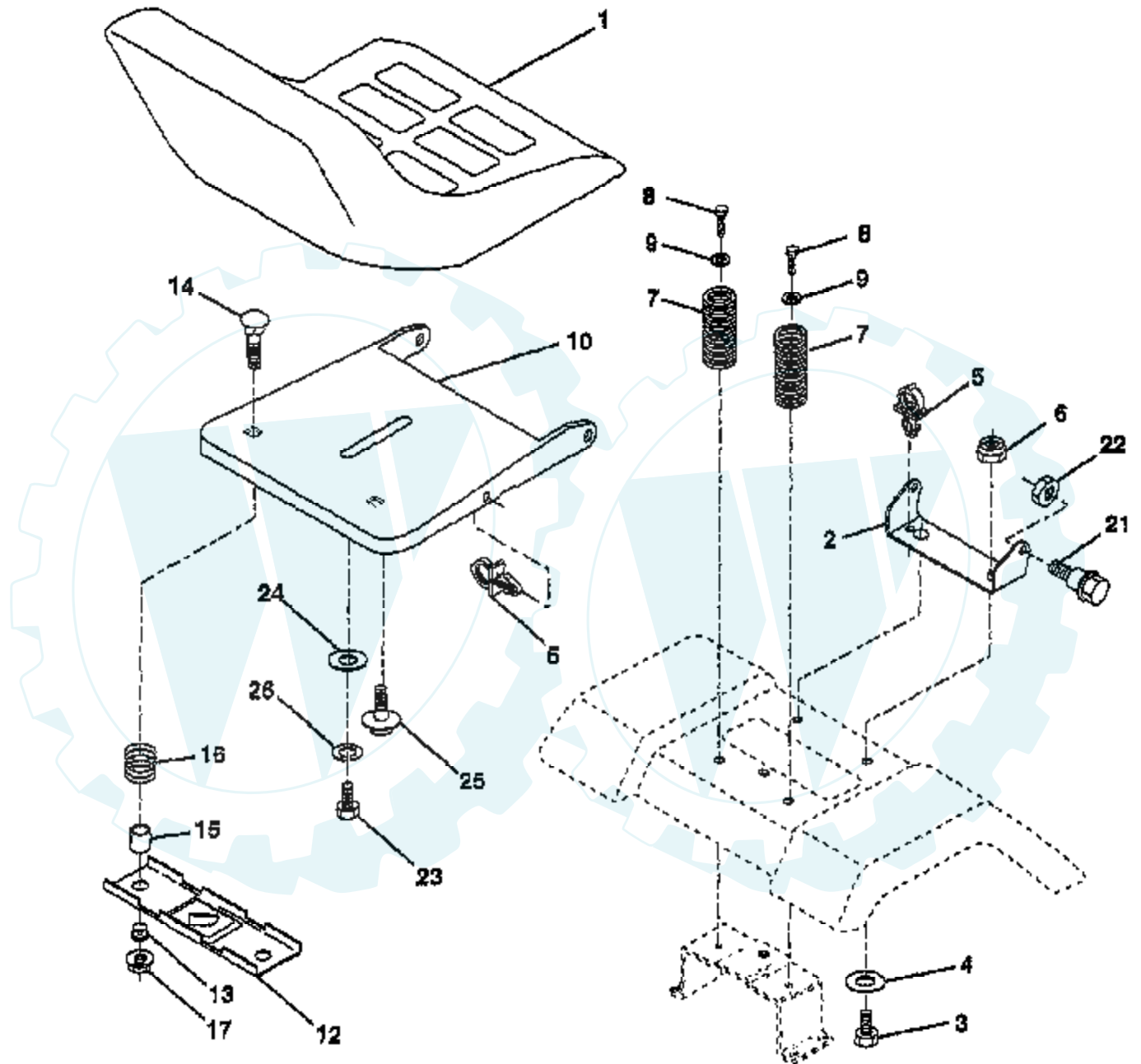
TRACTOR - MODEL NO. WE145H42B

SCHEMATIC



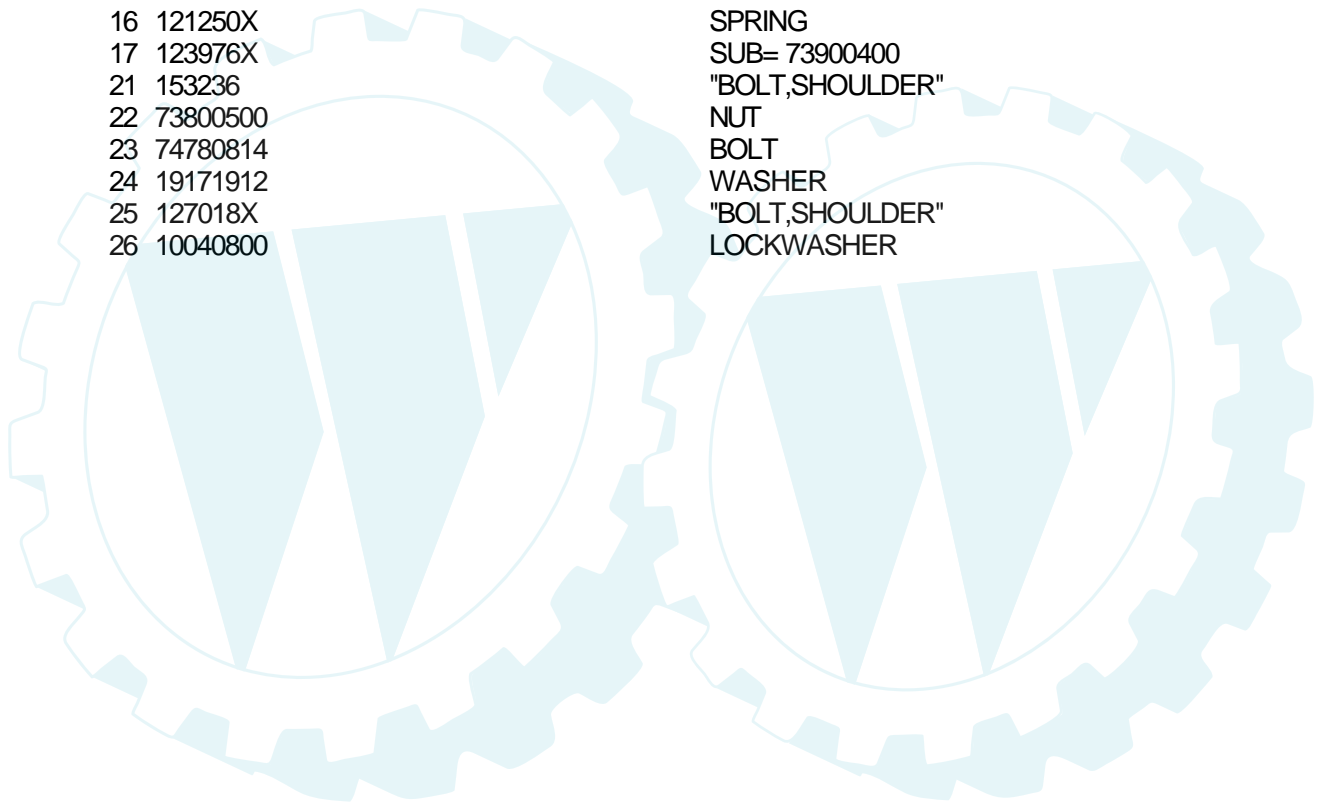
TRACTOR -- MODEL NUMBER WE145H42B

SEAT ASSEMBLY



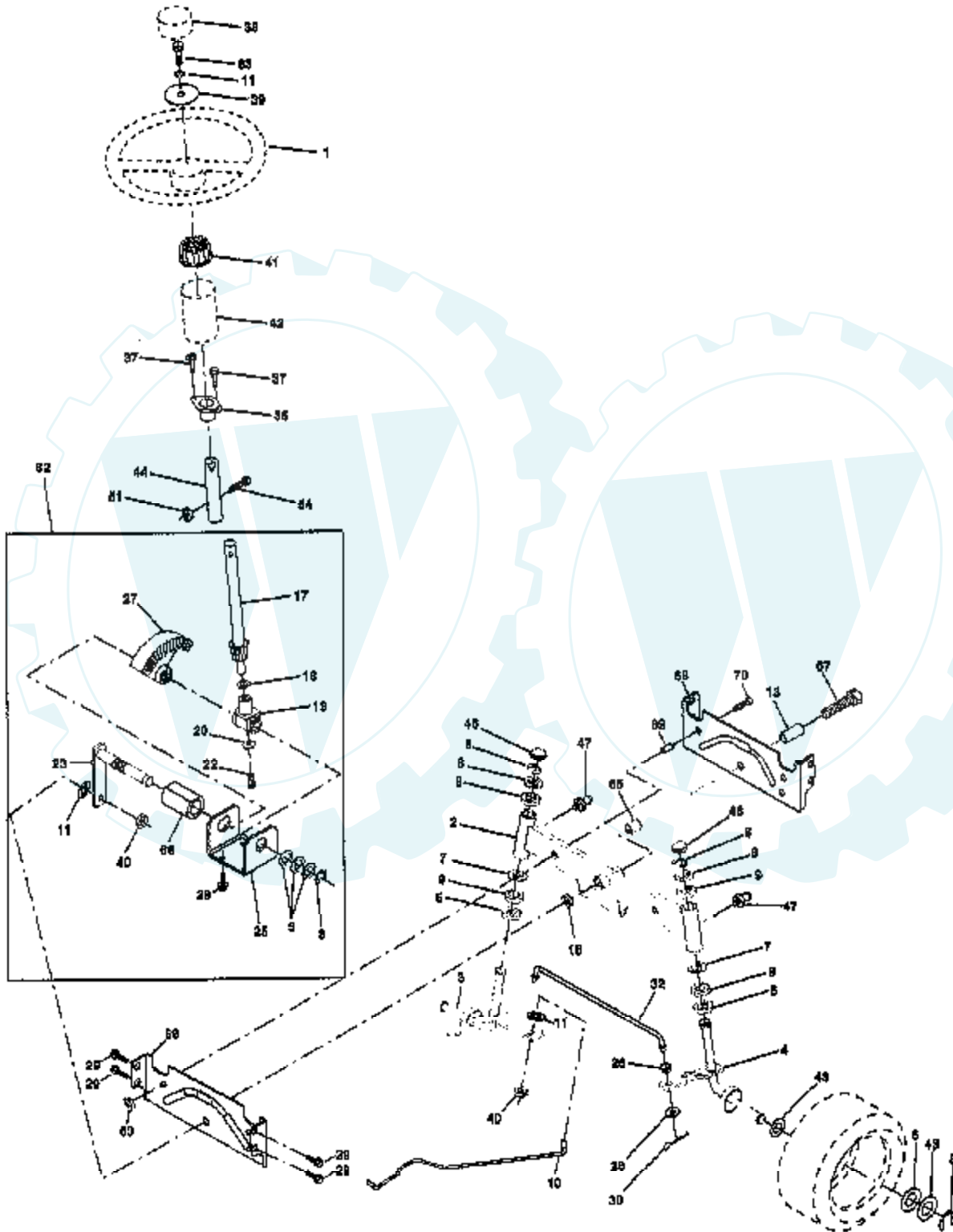
NOTE: All component dimensions given in U.S. inches
1 inch = 25.4 mm.

Ref #	Part Number	Qty	Description
1	127427		SUB= 140119
2	140551		BRACKET PVT SEAT
3	74760616		BOLT
4	19131610		WASHER PM
5	145006		CLIP.PUSH-IN.HING
6	73800600		NUT
7	124181X		SPRING COMPRESSIO
8	17490616		SCREW GTV
9	19131614		WASHER
10	155925		PAN-SEAT
12	121246X		BRKT SWITCH
13	121248X		BUSHING
14	72050412		BOLT-RD HD SQ NK
15	134300		SPLIT SPACER
16	121250X		SPRING
17	123976X		SUB= 73900400
21	153236		"BOLT,SHOULDER"
22	73800500		NUT
23	74780814		BOLT
24	19171912		WASHER
25	127018X		"BOLT,SHOULDER"
26	10040800		LOCKWASHER



TRACTOR -- MODEL NUMBER WE145H42B

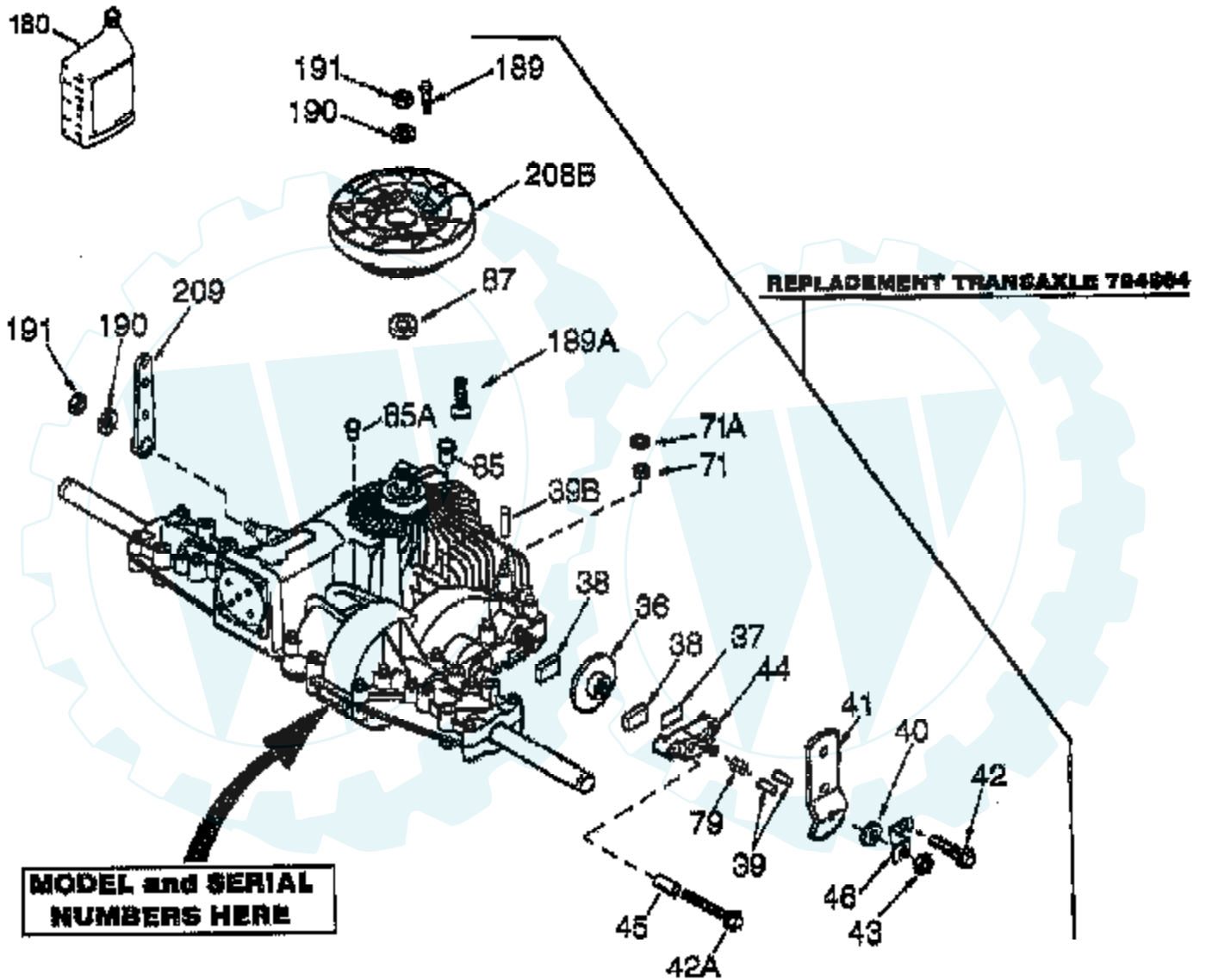
STEERING ASSEMBLY



Ref #	Part Number	Qty	Description
1	140044		WHEEL STR AYP BLK
2	154427		AXLE ASM
3	156483		SPINDLE.ASM.LH
4	157473		"SPINDLE ASM,RH"
5	6266H		WASHER .T
6	121748X		WASHER
7	19272016		WASHER
8	12000029		RING
9	3366R		COL. SRTG. BEAR.
10	156438		DRAGLINK-STAMPED
11	10040600		LOCKWASHER
13	154779		BEARING AXLE
15	73901000		"NUT-LOC,FLANGE LT"
17	156546		SHAFT ASM STEERIN
18	57079		THRUST WASHER
19	124035X		SUPPORT.SHAFT
20	126684X		SUB= 532126684
22	71200410		SCREW HEX SOC1/4-
23	127501		SUB= 918127501
25	154406		BRKT-STEERING
26	126847X		BUSHING.DRAGLINK
27	136874		GEAR SECTOR
28	19131416		WASHER
29	17490612		SCREW
30	76020412		COTTER PIN
32	130465		TIE ROD
36	155099		BUSHING.STEERING
37	152927		"SCREW-TT,10-32 FL"
38	140045		CAP STEER AYP
39	19133808		WASHER T
40	7810H		GRIPCO NUT
41	100711L		ADAPTER LT
42	145054		BOOT.STEER.PL
43	121749X		WASHER
44	153720		EXT SHAFT STEERIN
46	121232X		CAP
47	6855M		ZERK M
51	73800500		NUT
53	73680600		SUB= 73690600
54	74780520		BOLT
62	156594		KIT STEERING ASM
63	74780616		BOLT
65	154780		SPACER AXLE
66	154404		"BEARING-ARM,PITMA"
67	74781044		BOLT
68	154429		BRACE AXLE
69	160367		"SPACER BRCAE,AXLE"
70	74780636		BOLT.HEX.3/8-16X2

**TRACTOR - - MODEL NUMBER WE145H42B
PEERLESS TRANSAXLE - MODEL NUMBER 205-035B**

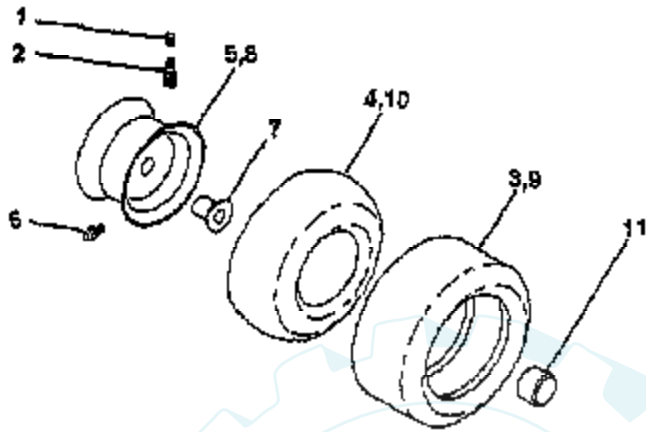
TRANSAXLE



Ref #	Part Number	Qty	Description
	794664		REPLACEMENT TRANSAXLE
36	790075		BRAKE DISC
37	790007		PLATE BRAKE PAD
38	799021		BRAKE PAD
39	786026		PIN DOWEL
39B	798033		BELT GUARD
40	792076A		WASHER
41B	790085		BRAKE LEVER
42	792073		SCREW, 1/4-20 X 1-1/4
42A	792085A		SCREW, 1/4-20 X 2-1/4
43	792075		LOCKNUT 5/16-24
44	790025		HOLDER BRAKE PAD
45	786066		SPACER
46	790086		BRAKE LEVER BRACKET
71	788069		SEAL SQUARE CUT
71A	792162		PUSHNUT
79	792144		SPRING
85	792154		OIL FILL PLUG
85A	792182		TUBE PLUG, 3/8"
87	788035		OIL SEAL
180	730229A		GEAR OIL 80W90
189	792168		DRIVE SCREW
189A	792169		SCREW
190	792150		LOCKWASHER
191	792151		NUT
208B	798025		FAN/COUPLING
209	798024		CONTROL LEVER

TRACTOR - - MODEL NUMBER WE145H42B

WHEELS & TIRES



NOTE: All component *dimensions* given in U.S. Inches
1 inch = 25.4 mm.

Ref #	Part Number	Qty	Description
1	59192		VALVE CAP
2	65139		VALVE STEM LT
3	106222X		SUB= 122073X
4	59904		TUBE.5.3/4.5/6
5	106732X427		"RIM ASM 6"" FRT"
6	278H		FITTING LT
7	9040H		"FLANGE, BEARING"
8	106108X427		"RIM AS 8"" REAR"
9	106268X		SUB= 122074X
10	7152J		TUBE.18X9.5-8
11	104757X		HUB CAP
	144334		SEALANT.TIRE 10 OZ. TUBE

