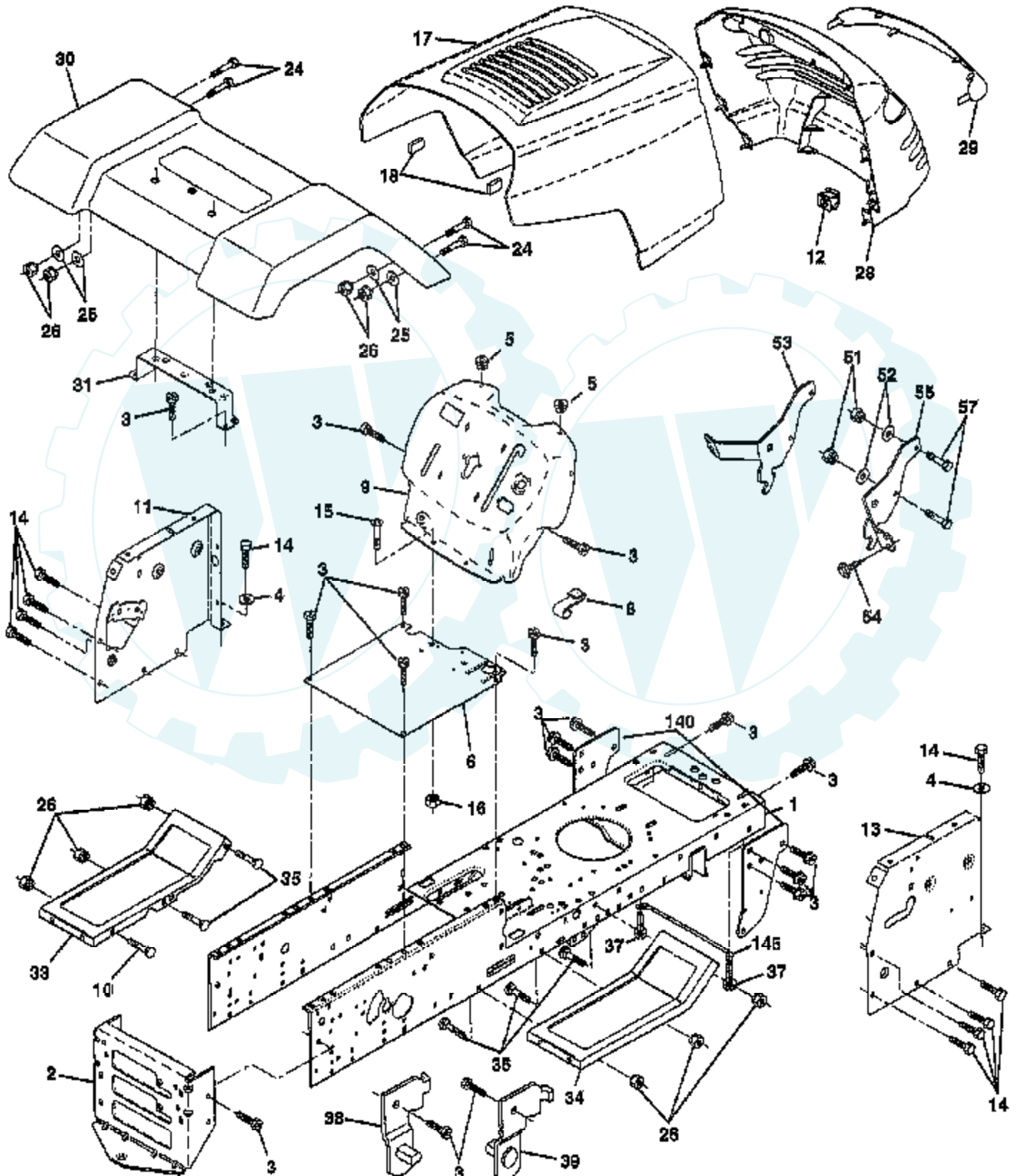


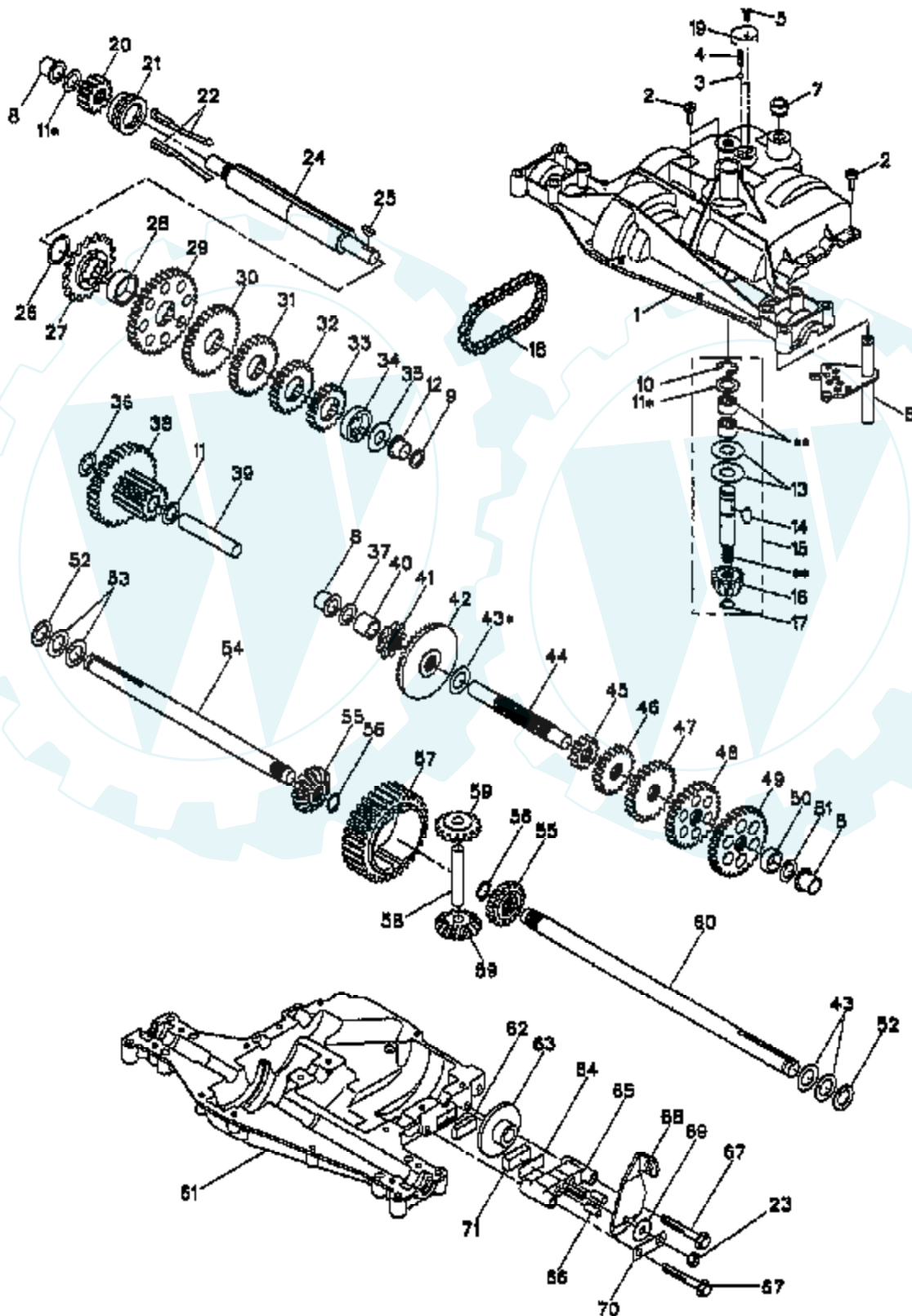
TRACTOR -- MODEL NUMBER WE13T38B

CHASSIS



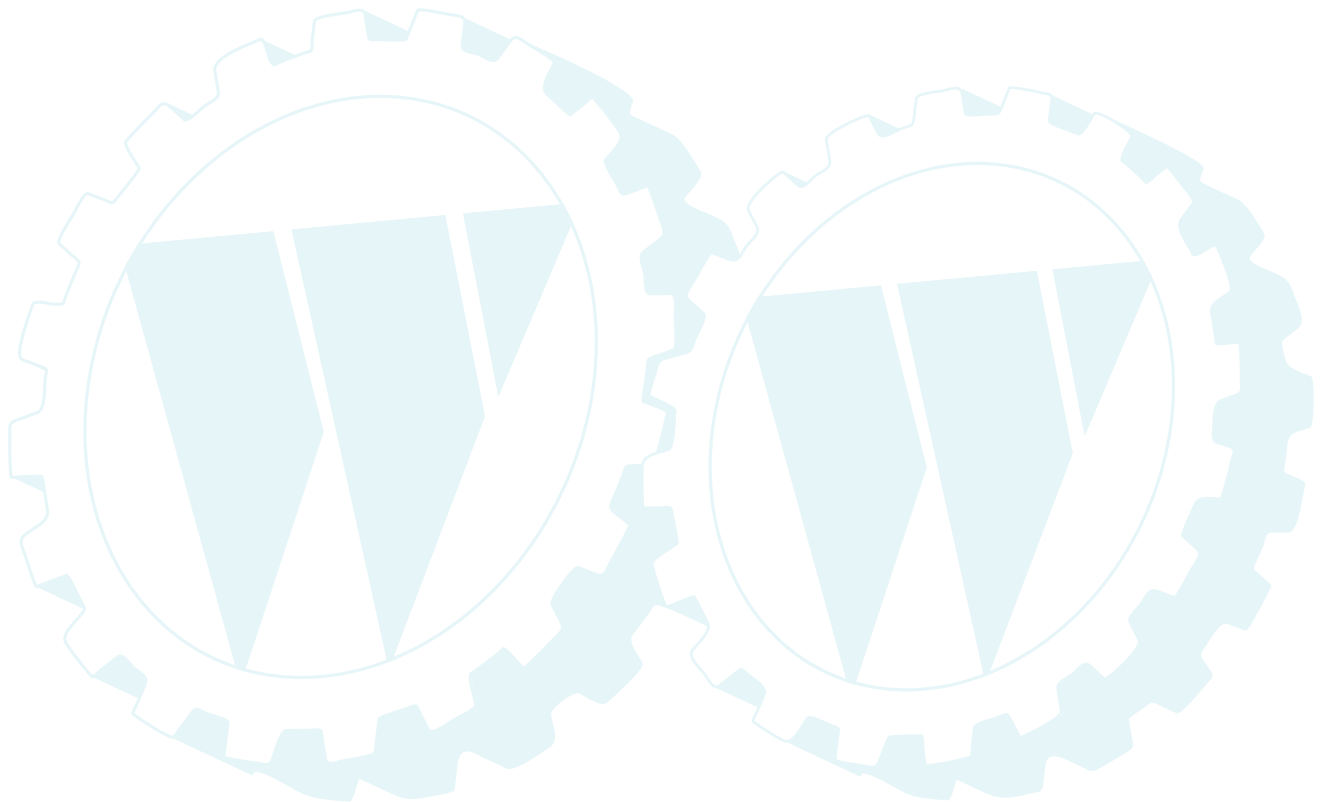
Ref #	Part Number	Qty	Description
1	160393		CHASSIS
2	140356		SUB= 145009
3	17490612		SCREW
4	19131216		WASHER
5	155272		BUMPER-HOOD/DASH
6	155924X014		"SADDLE-SLKSCR,5SP"
8	155138		CLIP.RETAINER
9	161937X011		DASH SILKSCREEN
10	72140608		SUB= 72110608
11	155927		"PANEL-DASH,LH"
12	145660		CLIP.TINNERMAN
13	155934X010		SUB= 169117X010
14	17490608		SCREW LT
15	74180512		SCREW
16	73510500		NUT
17	159639X550		HOOD.STEEL.ASSY
18	126938X		SUB= 532126938
24	74780616		BOLT
25	19131312		WASHER
26	73800600		NUT
28	157373		GRILLE-MS428
29	140273		LENS GRILLE
30	157584X550		FENDER PNT LT
31	136619		BRKT FENDER
33	105476X550		FOOTREST.LH.PERF.
34	105475X550		FOOTREST.RH.PERF.
35	72110606		BOLT
37	17490508		SCREW LT
38	139886		BRACKET ASM LH
39	139887		BRACKET ASM RH
51	73800400		NUT
52	19091416		WASHER
53	144697		BRACKET.GRILLE.LH
54	161464		SCREW.HEX.WS.HD
55	144696		BRACKET.GRILLE.RH
57	74780412		SUB= 74780414
140	158418		BRKT SUSPENSION
145	156524		"ROD POVOT,CHASSIS"
	5479J		PLUG BUTTON T

TRACTOR - - MODEL NUMBER WE13T38B DANA TRANSAXLE - - MODEL NUMBER 4360-120



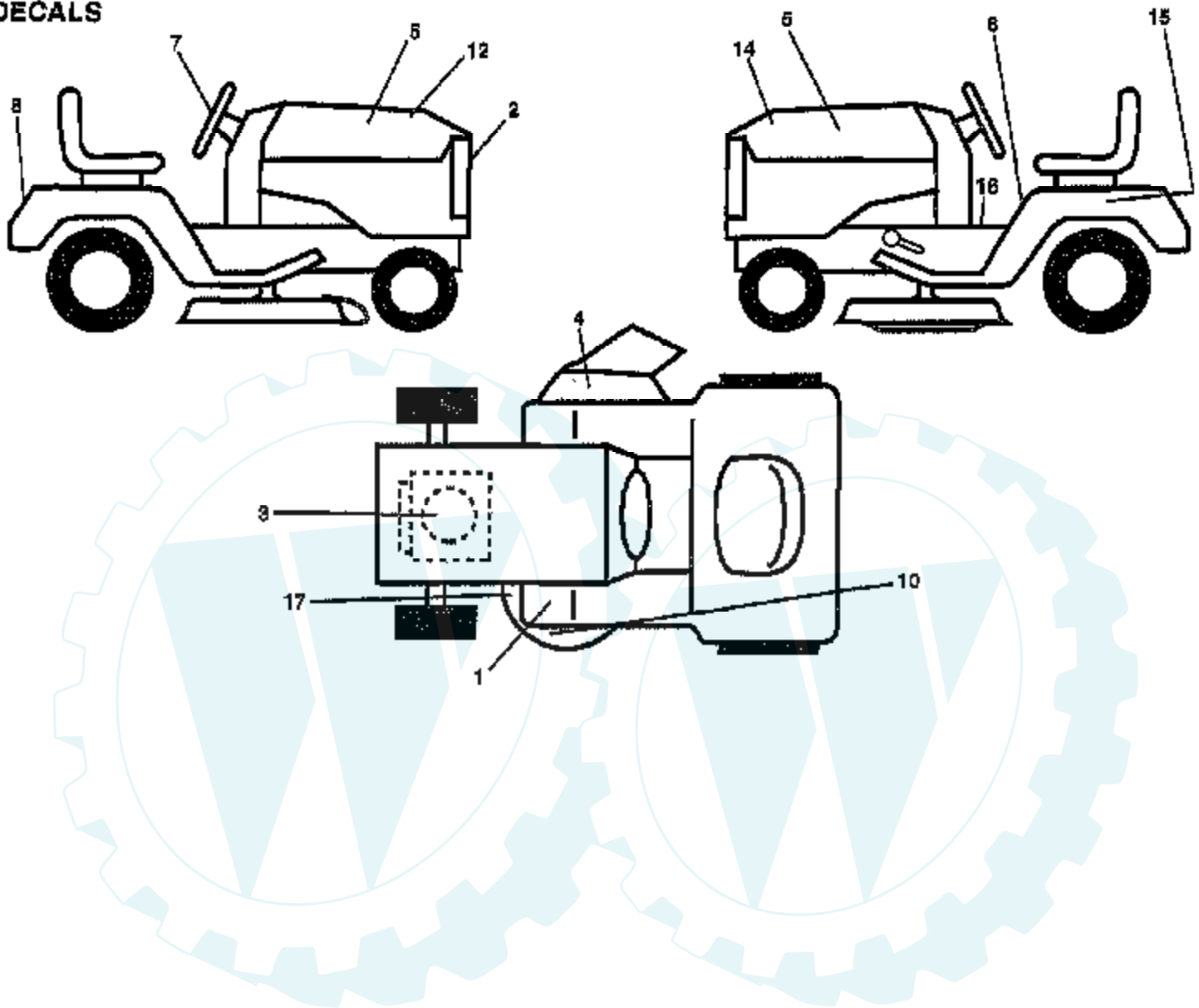
Ref #	Part Number	Qty	Description
1	160939		HOUSING.UPPER.DANA.(5305J)
2	2274J		SUB= 74760412
3	134400		SUB= 68003
4	105904X		"SPRING, DETENT LT"
5	160940		SCREW.TAPPING.1/4-20X.734
6	138235		KIT SHIFTER ASM
7	108727X		SUB= 108776X
8	148266		SUB= 105911X
9	148269		SEAL.OIL.DAN.5508
10	2225J		RETAINING RING LT
11	134793		ASM KIT SHIM 4689
12	148268		BEARING.FLNG.5511
13	120415X		WASHER T
14	142674		KEY WOODRUFF-DANA
15	161563		INPUT SHAFT KIT 6250
16	161564		PINION.BEVEL.12T(5620)
17	105909X		"RING,RETAINING LT"
18	105910X		"CHAIN,24 PTCH LT"
19	160942		COVER.DETENT.(5584)
20	160943		GEAR.SPUR.12T.(5627)
21	148267		CLUTCH.COL.5467
22	138236		ASM KIT CLTCH KEY
23	73810500		NUT.LOCK.5/16-24
24	142676		SHAFT INTERM DANA
25	2244J		WOODRUFF KEY
26	105916X		"RING,RETAINING LT"
27	120470X		SPROCKET 18T T
28	110070X		SPACER YT
29	142677		GEAR SPUR 37 TTH
30	124644X		GEAR SPUR 30T
31	108980X		GEAR 25T LT
32	120406X		GEAR SPUR 22 TT
33	134796		SPUR GEAR 19T
34	134797		SPACER
35	105925X		"WASHER, PLAIN LT"
36	2228J		WASHER 045
37	2231J		WASHER 031
38	160944		ASSY.GEAR.6153 12T&30T
39	124639X		SHAFT IDLER
40	120472X		SPACER T
41	105928X		SPROCKET 9T LT
42	161565		GEAR.BEVEL.36T(5621)
43	134394		ASM KIT SHIM
44	120473X		SHAFT T
45	142678		GEAR SPUR 12 TTH
46	124641X		GEAR SPUR 20T
47	106589X		"GEAR, SPUR 25T LT"
48	120408X		GEAR 28T T
49	105937X		"GEAR, SPUR 31T LT"
50	105936X		SPACER LT
51	2226J		WASHER 060
52	134401		NEOPRENE WASHER
53	2264J		WASHER 031
54	160946		AXLE.LH(5528-1)
55	160947		MITER 5270 12T.SPLINED
56	160948		RING.RETAINING.(5270)
57	110071X		SUB= 120478X
58	120952X		SHAFT T

Ref #	Part Number	Qty	Description
59	160949		MITER 5623.12T.IDLER
60	160950		AXLE.RH.(5528-2) DANA
61	142680		HOUSING LOWER TNS
62	120961X		PUCK T
63	7294J		BRAKE DISC. T
64	108989X		SPACER LT
65	160952		JAW, BRAKE
66	120954X		PIN T
67	160953		SCREW.(5562) .5/16-18X2.35
68	138244		SUB= 108992X
69	108996X		WASHER LT
70	160954		BRACKET, ANTI-ROTATION
71	120951X		PUCK T
72	120416X		SUB= 126976X

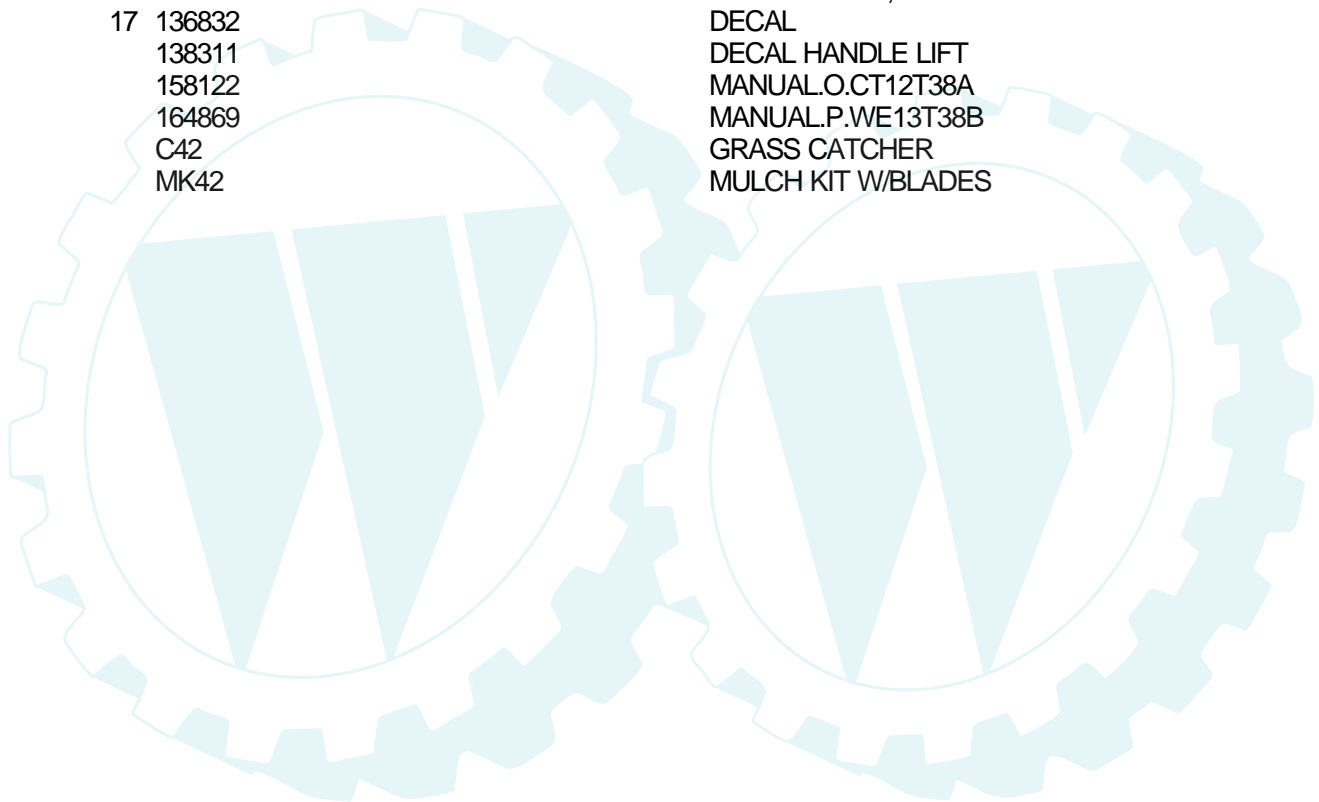


TRACTOR -- MODEL NUMBER WE13T38B

DECALS

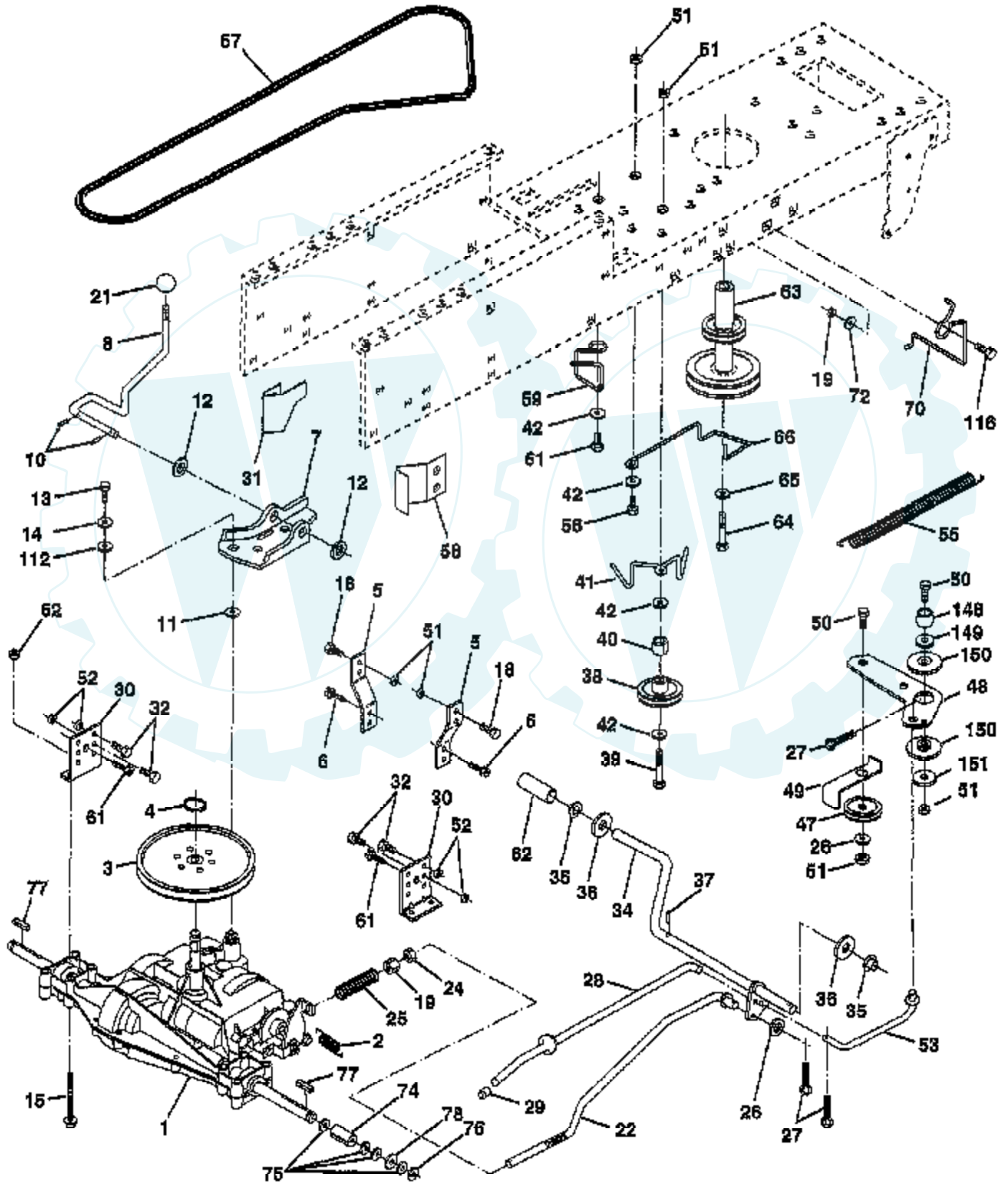


Ref #	Part Number	Qty	Description
			REFER TO IMAGE
1	101892X		DECAL T
2	162392		DECAL, GRILLE LENS
3	64-1726-29		DECAL HP ENGINE
4	137259		"DECAL, WARNING"
5	164424		DECAL.PNL.SD
6	157140		DECAL.CAUT.ENG/FR
7	162398		DECAL, INS STRG WH
8	162395		DECAL.FENDER.LOGO
10	162391		DECAL, DECK GRASSEATER
12	164578		DEECAL.HOOD.RH
14	164579		DECAL.HOOD.LH
15	145005		DECAL.BATRY.3-3908
16	157163		"DECAL.OPER,SDL"
17	136832		DECAL
	138311		DECAL HANDLE LIFT
	158122		MANUAL.O.CT12T38A
	164869		MANUAL.P.WE13T38B
	C42		GRASS CATCHER
	MK42		MULCH KIT W/BLADES



TRACTOR - - MODEL NUMBER WE13T38B

DRIVE



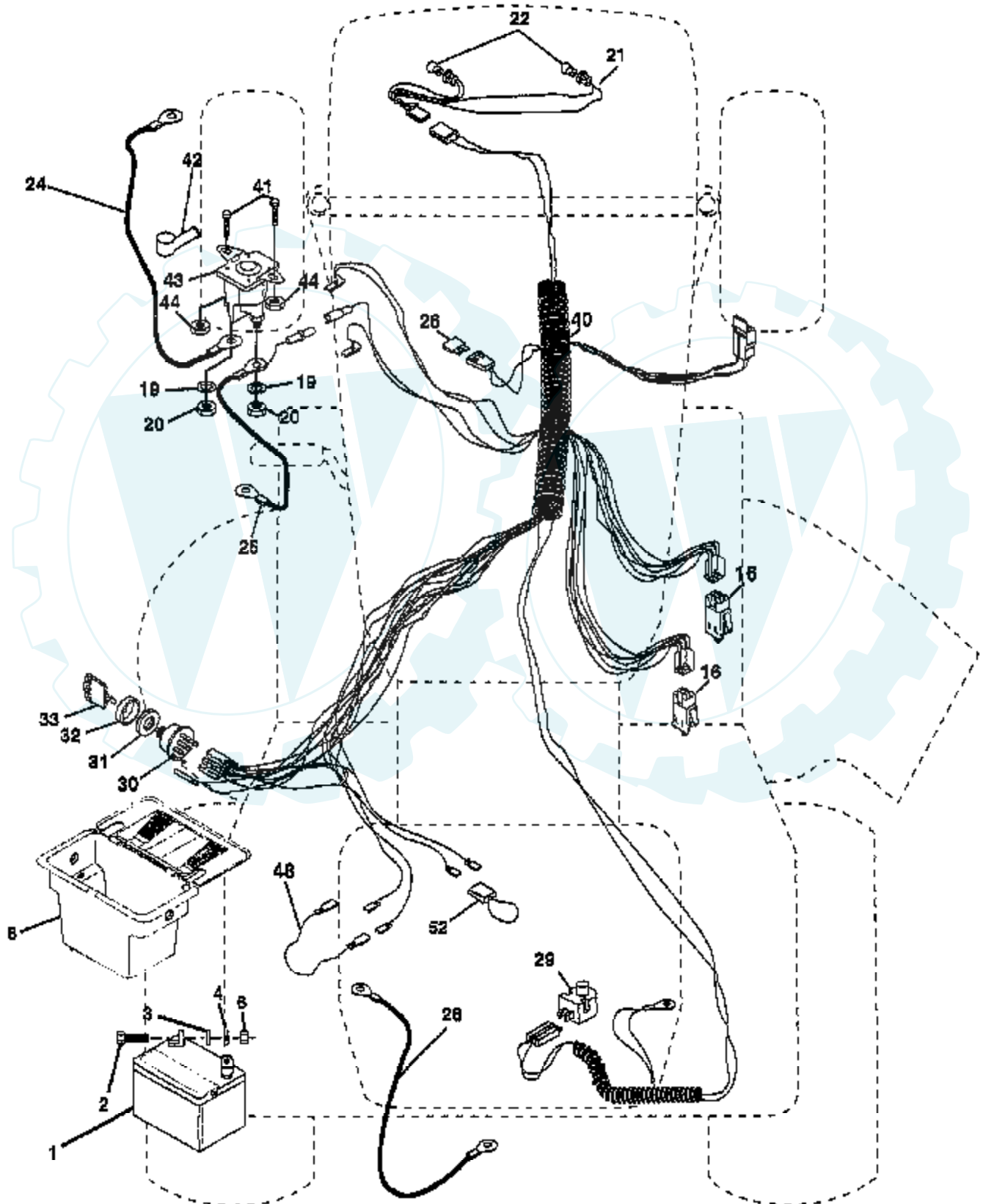
Ref #	Part Number	Qty	Description
2	146682		SPRING.BRAKE.RETU
3	123666X		PULLEY TRANS
4	12000028		SUB= 2267J
5	121520X		STRAP TORQUE
6	17490512		SCREW
7	162240		BRKT.SADDLE.SHIFT
8	131679		SHIFT ROD
10	76020416		PIN COTTER 1/8
11	105701X		WASH-SHFT PLT LT
12	19151216		WASHER
13	74550412		BOLT.1/4-28.W/PAT
14	10040400		LOCKWASHER
15	74490544		BOLT.HX.FLG.5/16
18	74780616		BOLT
19	73800600		NUT
21	106933X		KNOB T (1/2-HOLE)
22	130804		BRAKE ROD
24	73350600		NUT
25	106888X		SPRING ROD LT
26	19131316		WASHER
27	76020412		COTTER PIN
28	145204		ROD.BRAKE.PARK.LT
29	71673		PLUNGER CAP T
30	130807		TRANSAXLE MTG BKT
31	127275X		"KEEPER,BELT LH T"
32	74760512		BOLT
34	155071		SHAFT ASM-PEDAL F
35	120183X		NYLON BEARING
36	19211616		WASHER LT
37	1572H		SUB= 2882J
38	123674X		PULLEY.IDLER.FLAT
39	74760644		BOLT
40	4470J		SPACER T
41	154777		SUB= 165692
42	19131312		WASHER
47	127783		SUB= 139245
48	154407		BELLCRANK.CLUTCH
49	123205X		RETAIN BELT
50	74760624		SUB= 74930624
51	73680600		SUB= 73690600
52	73680500		SUB= 73690500
53	105710X		"LINK, CLUTCH T"
55	105709X		"SPRING, RETURN LT"
56	74760620		SUB= 74780620
57	160855		"V-BELT,95.3"
58	127274X		"KEEPER,BELT RH T"
59	140312		KEEPER BELT CNTSP
61	17490612		SCREW
62	8883R		PEDAL COVER T
63	140186		PULLEY.ENGINE
64	71170764		BOLT
65	10040700		LOCKWASHER
66	154778		KEEPER-BELT
70	134683		KEEPER BELT ENG
72	19132012		WASHER
74	109502X		SPACER LT
75	121749X		WASHER
76	12000001		E-RING LT

Ref #	Part Number	Qty	Description
77	123583X		SQUARE KEY
78	121748X		WASHER
112	19091210		WASHER LT
116	72110610		BOLT RDHD 3/8-16
148	159103		SPACER
149	122052X		SPACER RETAINER
150	150935		BUSHING.NYLON
151	19133210		WASHER



TRACTOR - - MODEL NUMBER WE13T38B

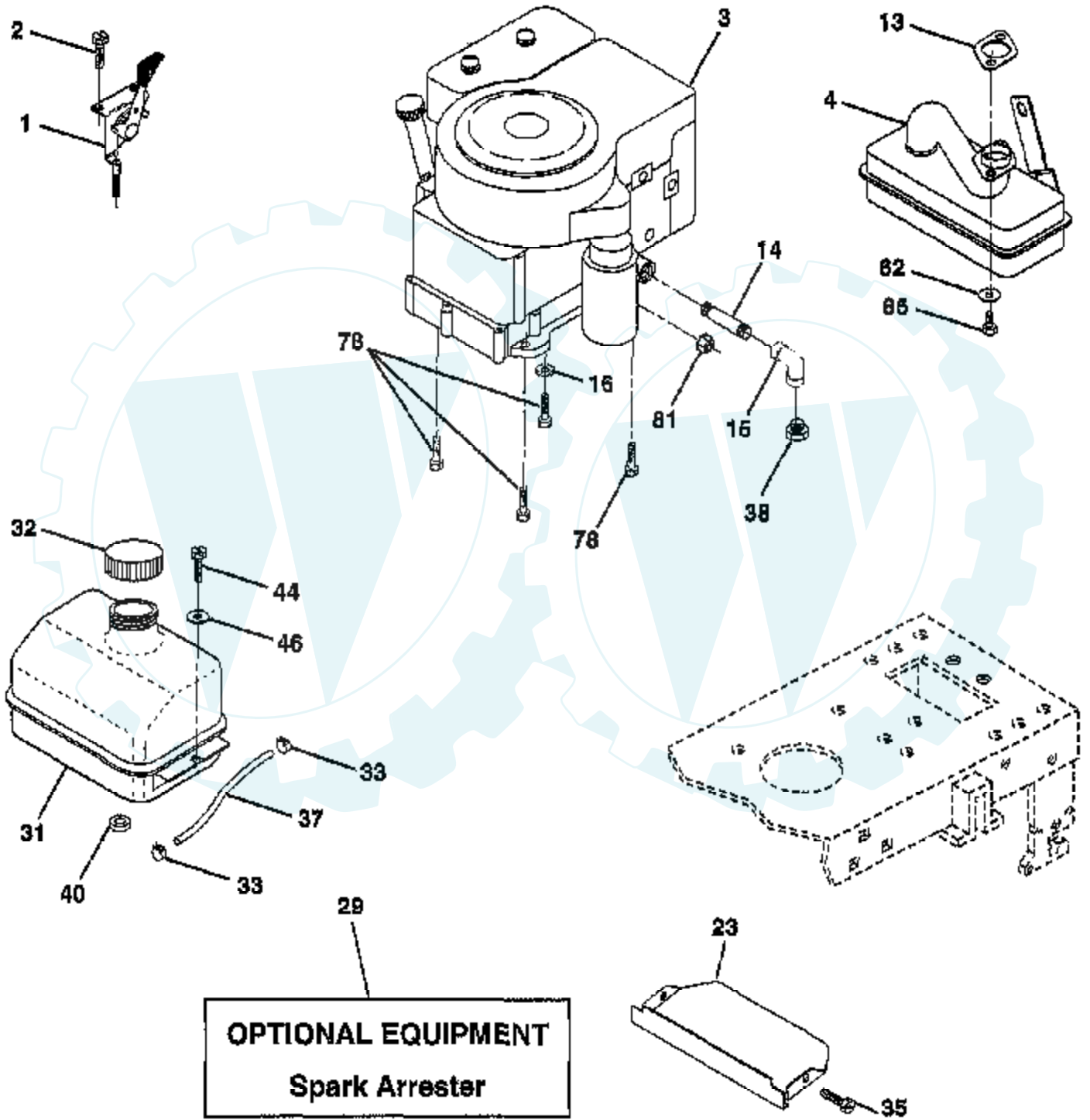
ELECTRICAL



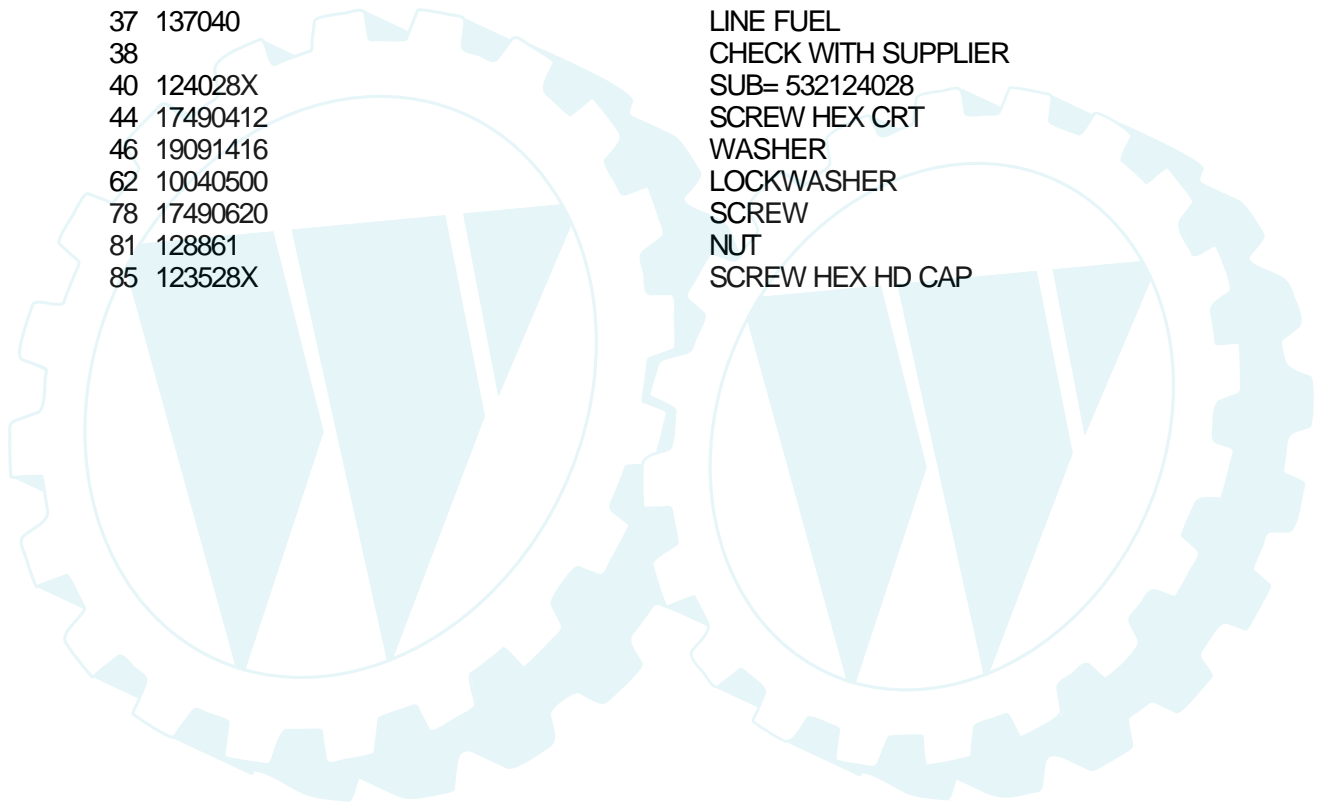
Ref #	Part Number	Qty	Description
1	144925		SUB= 123899X
2	74760412		BOLT LT
3	19091016		WASHER
4	10040400		LOCKWASHER
6	73220400		SUB= 50675
8	156417		"CASE,BATTERY.MECH"
16	153664		SWITCH INTERLOCK
19	10090400		SUB= 10040400
20	73350400		NUT
21	136850		"HARNES,LIGHT SOC"
22	4152J		HEADLAMP BULB
24	108423X		CABLE ASM.
25	146147		CABLE.BTRY.6GA.RD
26	108824X		FUSE HYT
28	4207J		CABLE T
29	121305X		SWITCH SEAT
30	140301		SWITCH IGN 4POS
31	124211X		NUT IGNITION
32	141226		COVER KEY SWITCH
33	122147X		KEY
40	156442		HARNES-IGNITION
41	71110408		BOLT HXHD FIN
42	131563		SUB= 154336
43	145673		SUB= 146154
44	73640400		NUT HXKEP 1/4X20
48	140844		ADAPTER AMMETER
52	141940		PROTECTION LOOP

TRACTOR - - MODEL NUMBER WE13T38B

ENGINE

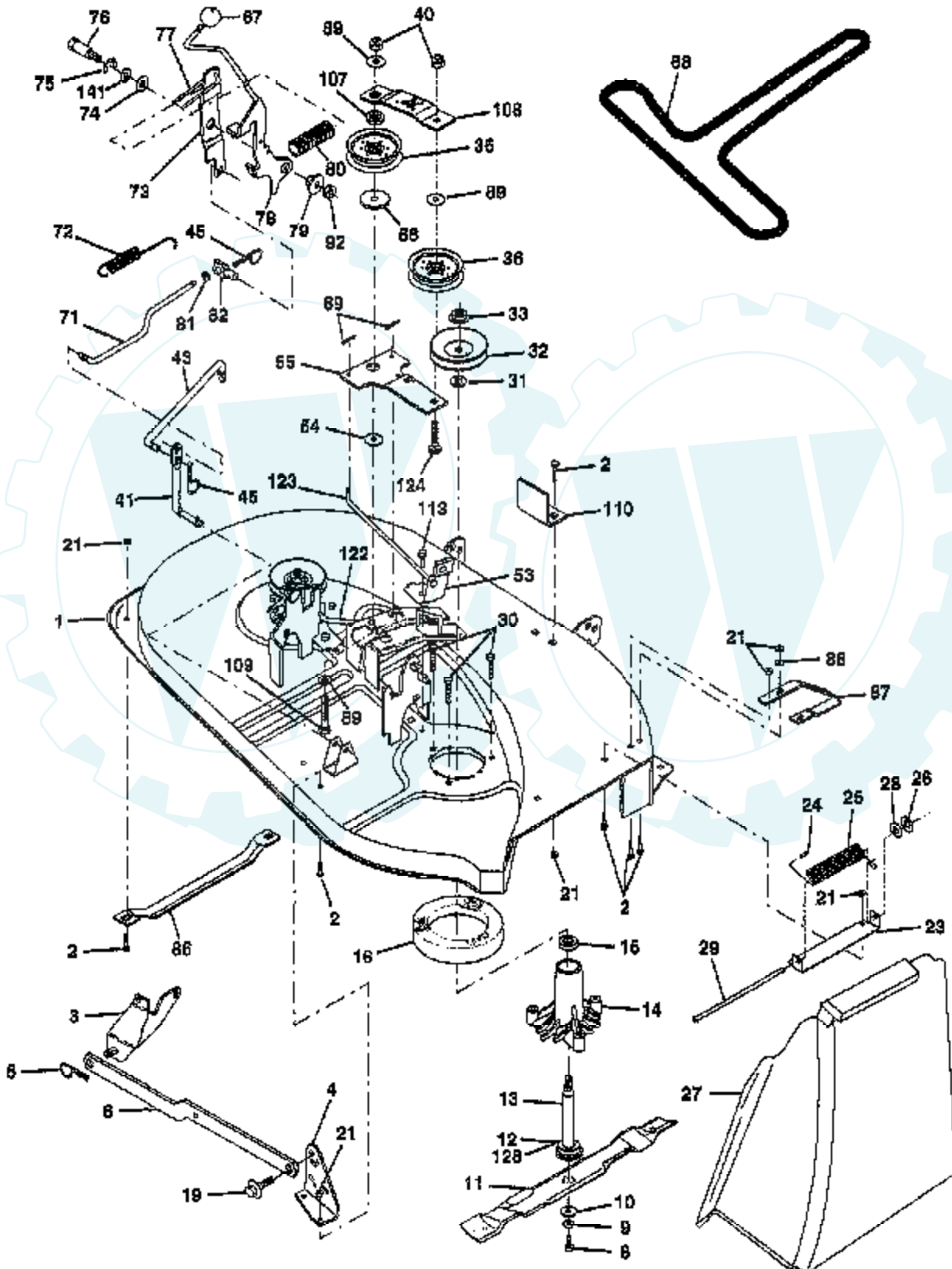


Ref #	Part Number	Qty	Description
1	157626		CONTROL-THROT/CHO
2	17720410		SCREW LT
3			CHECK WITH SUPPLIER
4	156700		MUFFLER TEC. 13HP
13	272293		GASKET ENG 1 313 LD TIN PLATED
14	13280336		PIPE NIPPLE LT
15	13200300		ELBOW
16	11050600		LOCKWASHER
23	159880		SHIELD.BRN/DBR.GD
29	137180		SUB= 532137180
31	109202X		TANK.FUEL.LT.
32	140527		CAP ASM FUEL
33	123487X		HOSE CLAMP
35	17490512		SCREW
37	137040		LINE FUEL
38			CHECK WITH SUPPLIER
40	124028X		SUB= 532124028
44	17490412		SCREW HEX CRT
46	19091416		WASHER
62	10040500		LOCKWASHER
78	17490620		SCREW
81	128861		NUT
85	123528X		SCREW HEX HD CAP



TRACTOR -- MODEL NUMBER WE13T38B

MOWER DECK



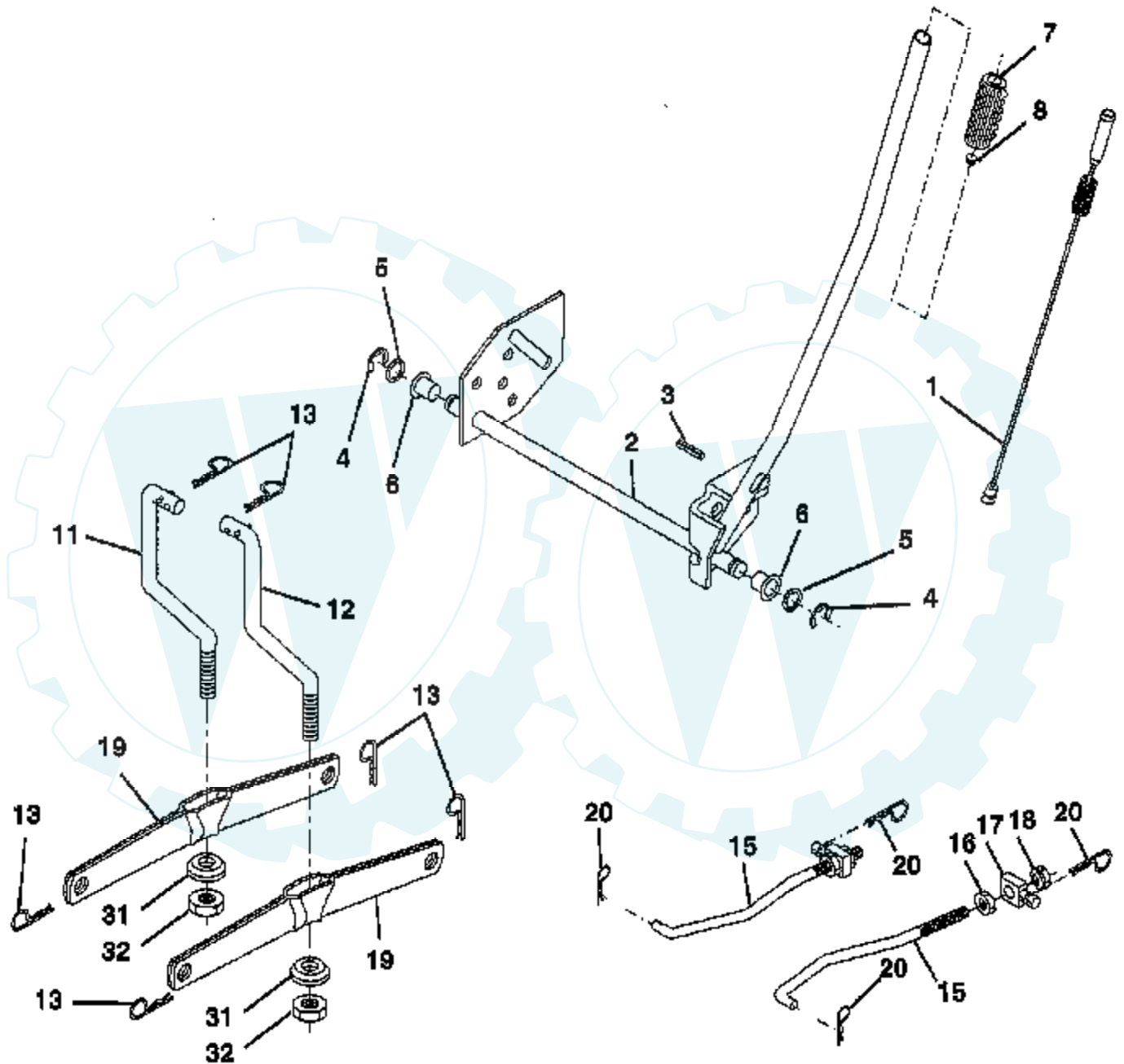
Ref #	Part Number	Qty	Description
1	142829		SUB= 145775
2	72140506		BOLT
3	138017		BRKT ASM SWAY BAR
4	138440		BRKT DECK SW BAR
5	4939M		SUB= 85902
6	130832		SUB= 130833
8	850857		BLADE BOLT
9	10030600		SUB= 10040600
10	140296		WASHER.HARD.BLADE
11	138497		"BLADE.38"" HIPERF"
12	129895		BEARING.BALL
13	137645		SUB= 137646
14	128774		HSG ASM MANDREL
15	110485X		BEARING
16	140329		STRIPPER RND MWR
19	132827		BOLT SHD 5/16-18
21	73680500		SUB= 73690500
23	1337607		BRACKET/DEFLECTOR
24	105304X		CAP-SLEEVE LT
25	123713X		SPRING TORSION
26	110452X		NUT PUSH M
27	106736X		DEFLECTOR-SHLD T
28	19111016		WASHER
29	106735X		ROD-HINGE T
30	157722		"SCREW-THD ROLL,WA"
31	129963		WASHER
32	153532		PULLEY.MANDREL.38
33	137266		SUB= 139729
36	131494		FLAT IDLER PULLEY
40	73680600		SUB= 73690600
41	133551		PIVOT ROD
43	133504		CLUTCH ROD SECOND
45	4497H		RETAINER M
53	130840		BRAKE ASM
54	133943		HARDENED WASHER
55	133840		IDLER ARM ASSY
56	122052X		SPACER RETAINER
67	162132		KNOB.RD.7/16-14
68	144200		BELT.V.T-PATH
69	76020312		SUB= 3145
71	142427		ROD CLUTCH 38/42
72	131870		RETURN SPRING
73	127847		CLUTCH ARM SECOND
74	121748X		WASHER
75	12000029		RING
76	128903		SHOULDER BOLT
77	127845		SPRING KEEPER
78	160570		LEVER.ASM.CLUTCH
79	127498		BUSHING
80	153701		SPRING.CLUTCH.MWR
81	73350600		NUT
82	142028		TRUNION ADJ
86	7631J		RUNNER-LH M
87	128772		RUNNER RH
88	19111216		WASHER M
89	19131612		WASHER GT
92	73800600		NUT
107	133502		RETAINER SPACER

Ref #	Part Number	Qty	Description
108	133503		IDLER ARM STIFF
109	74760640		BOLT
110	142587		UPSTOP DECK FT 38
113	17490512		SCREW
122	131289		BRAKE ROD LH
123	131288		BRAKE ROD RH
124	72110614		BOLT
128	153390		WASHER.FELT.
141	6266H		WASHER .T
	130794		MANDREL ASM
	145758		DECK.SERV.38.HLMC

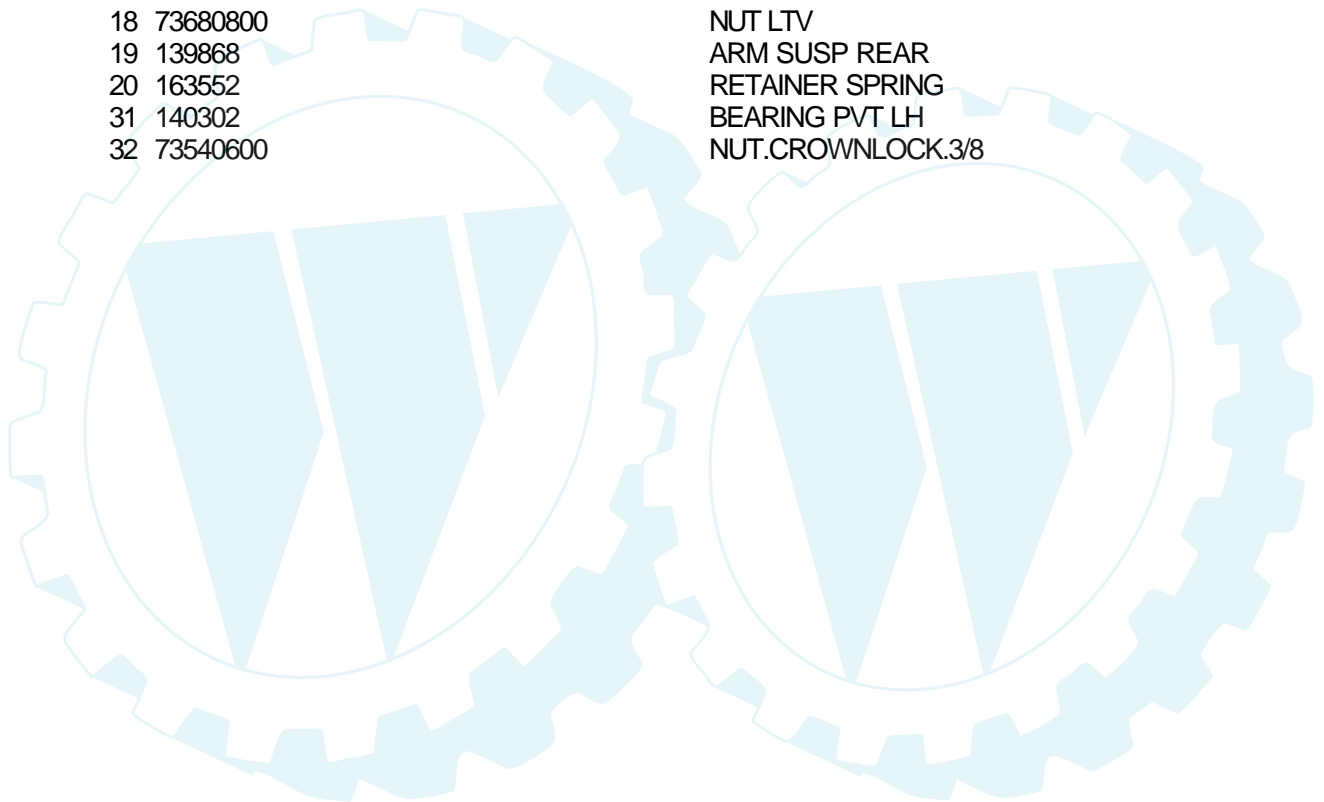


TRACTOR - - MODEL NUMBER WE13T38B

MOWER LIFT

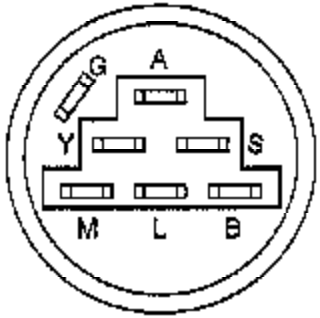
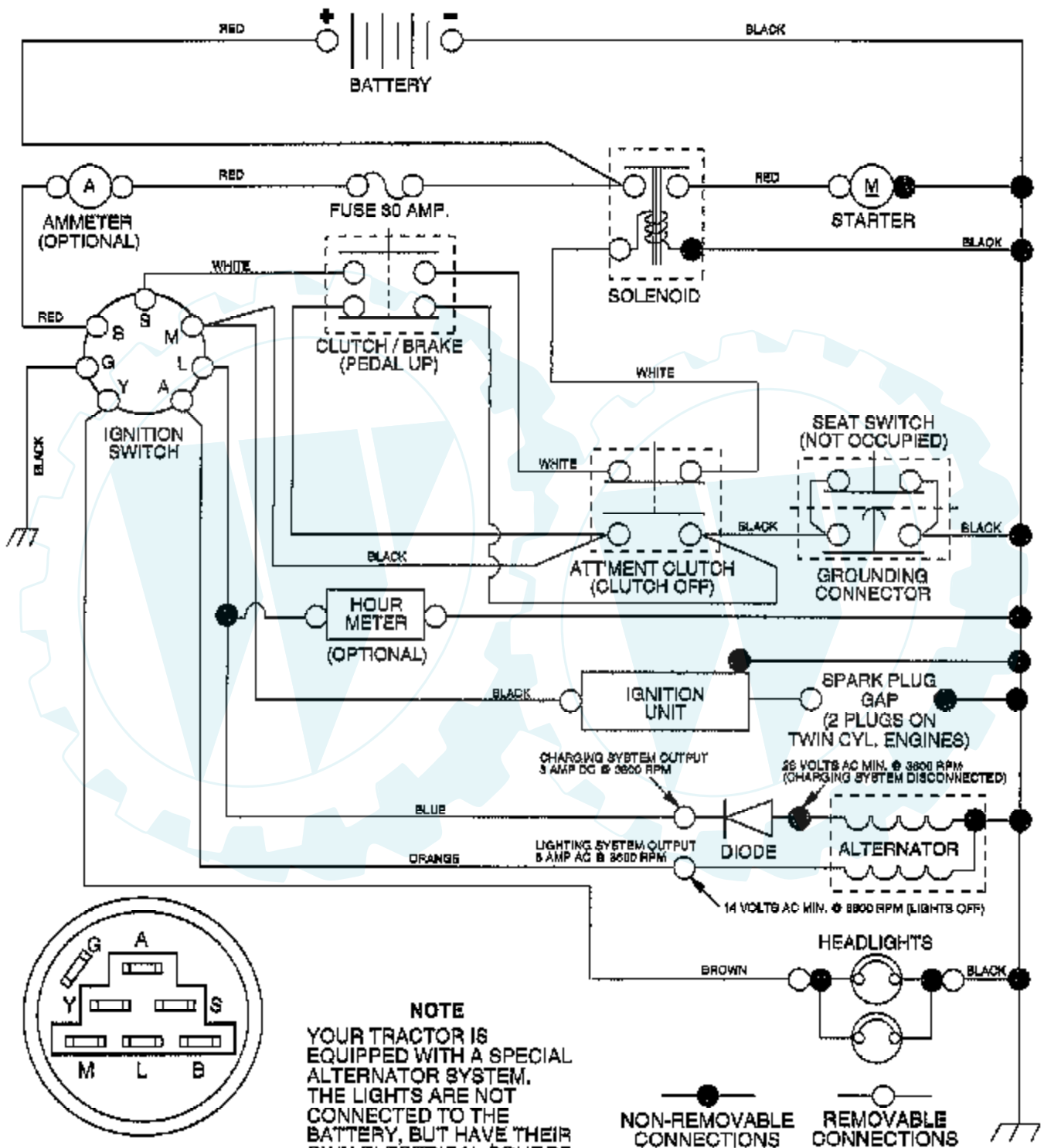


Ref #	Part Number	Qty	Description
1	159460		WIRE ASM W.SPRING
2	159471		"SHAFT ASM LIFT,RH"
3	105767X		PIN-GROOVE LT
4	12000002		SUB= 2225J
5	19211621		WASHER
6	120183X		NYLON BEARING
7	109413X		GRIP
8	124526X		SUB= 125925X
11	139865		SUB= 918139865
12	139866		SUB= 151140
13	4939M		SUB= 85902
15	127218		LINK.FRONT
16	73350800		NUT
17	130171		TRUNION
18	73680800		NUT LTV
19	139868		ARM SUSP REAR
20	163552		RETAINER SPRING
31	140302		BEARING PVT LH
32	73540600		NUT.CROWNLOCK.3/8



TRACTOR - - MODEL NUMBER WE13T38A

SCHEMATIC



IGNITION SWITCH

POSITION	CIRCUIT	"MAKE"
OFF	G + M + L	NONE
RUN/LIGHT	B + L	A + Y
RUN	B + L	NONE
START	B + L + S	NONE

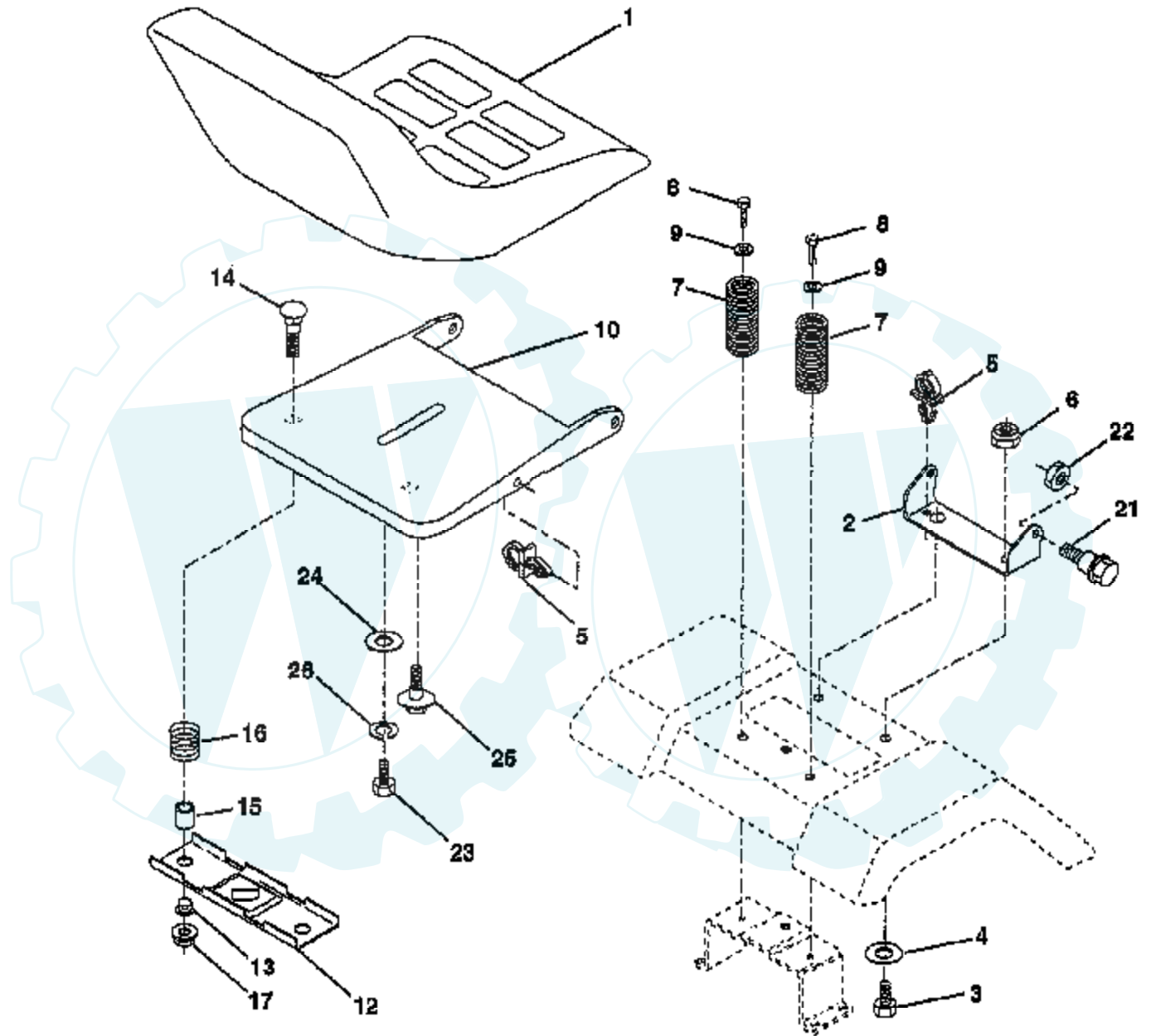
NOTE
YOUR TRACTOR IS EQUIPPED WITH A SPECIAL ALTERNATOR SYSTEM. THE LIGHTS ARE NOT CONNECTED TO THE BATTERY, BUT HAVE THEIR OWN ELECTRICAL SOURCE. BECAUSE OF THIS, THE BRIGHTNESS OF THE LIGHTS WILL CHANGE WITH ENGINE SPEED. AT IDLE THE LIGHTS WILL DIM. AS THE ENGINE IS SPEEDED UP, THE LIGHTS WILL BECOME THEIR BRIGHTEST.

● NON-REMOVABLE CONNECTIONS
○ REMOVABLE CONNECTIONS

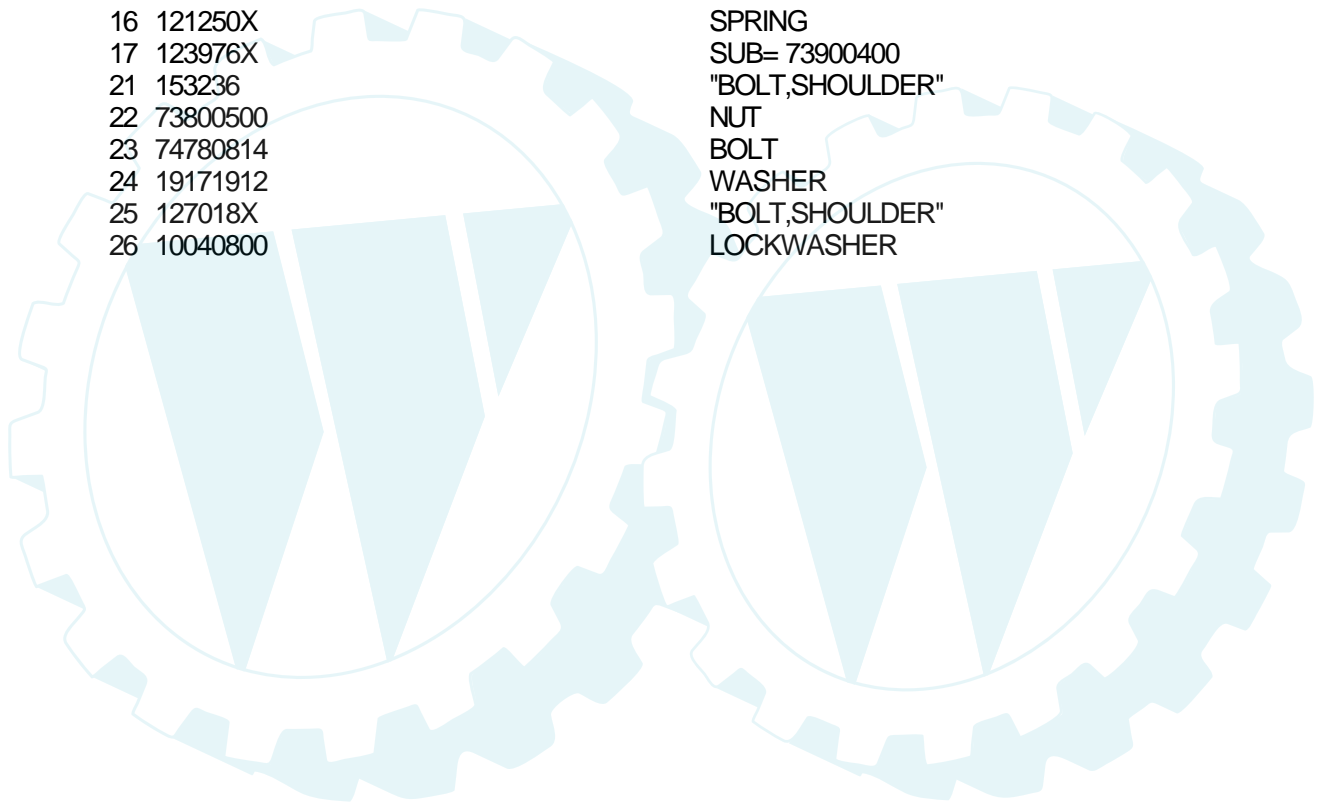
WIRING INSULATED CLIPS
NOTE: IF WIRING INSULATED CLIPS WERE REMOVED FOR SERVICING OF UNIT, THEY SHOULD BE REPLACED TO PROPERLY SECURE YOUR WIRING.

TRACTOR - - MODEL NUMBER WE13T38B

SEAT ASSEMBLY

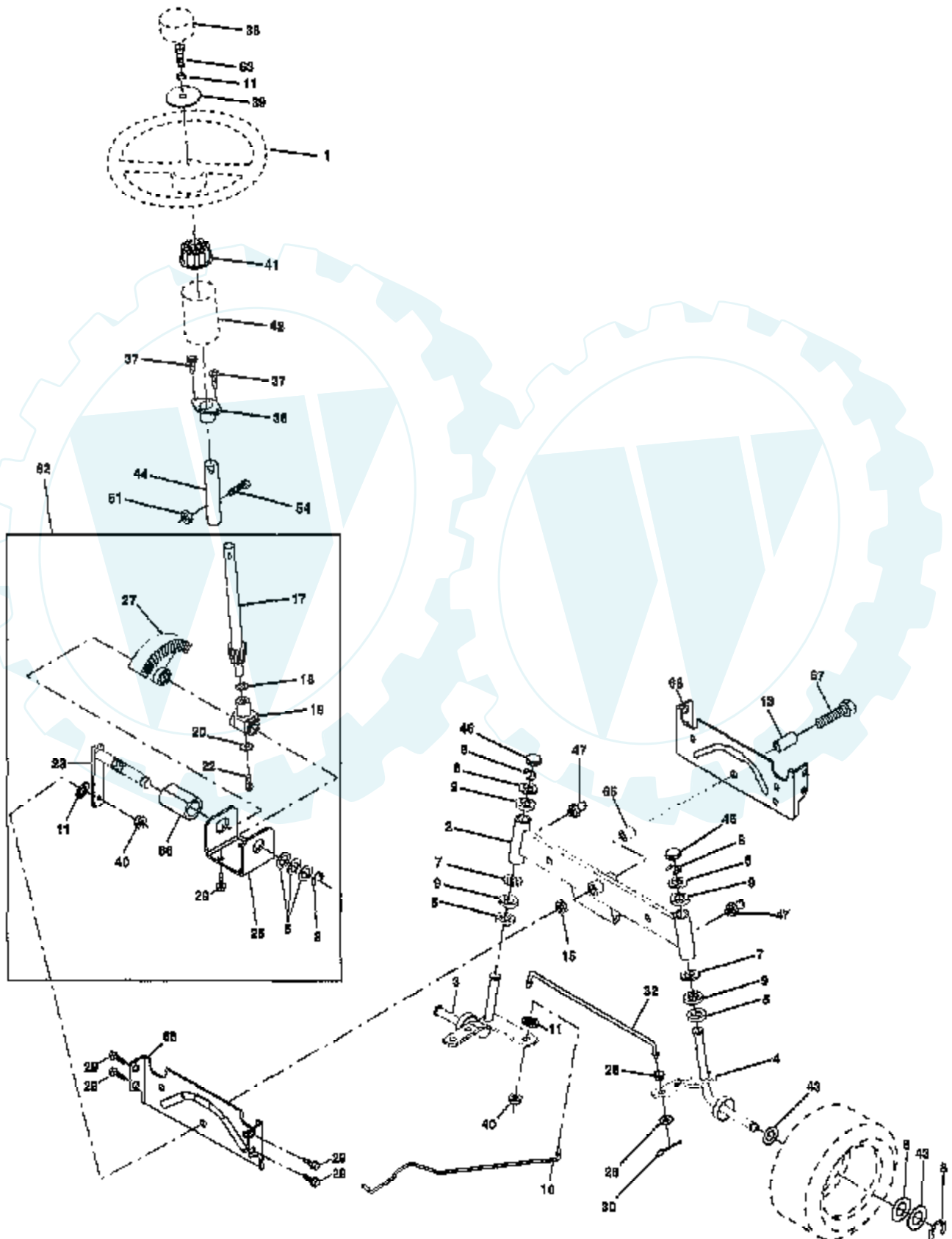


Ref #	Part Number	Qty	Description
1	127426X		SUB= 140119
2	140551		BRACKET PVT SEAT
3	74760616		BOLT
4	19131610		WASHER PM
5	145006		CLIP.PUSH-IN.HING
6	73800600		NUT
7	124181X		SPRING COMPRESSIO
8	17490616		SCREW GTV
9	19131614		WASHER
10	155925		PAN-SEAT
12	121246X		BRKT SWITCH
13	121248X		BUSHING
14	72050412		BOLT-RD HD SQ NK
15	134300		SPLIT SPACER
16	121250X		SPRING
17	123976X		SUB= 73900400
21	153236		"BOLT,SHOULDER"
22	73800500		NUT
23	74780814		BOLT
24	19171912		WASHER
25	127018X		"BOLT,SHOULDER"
26	10040800		LOCKWASHER



TRACTOR - - MODEL NUMBER WE13T38B

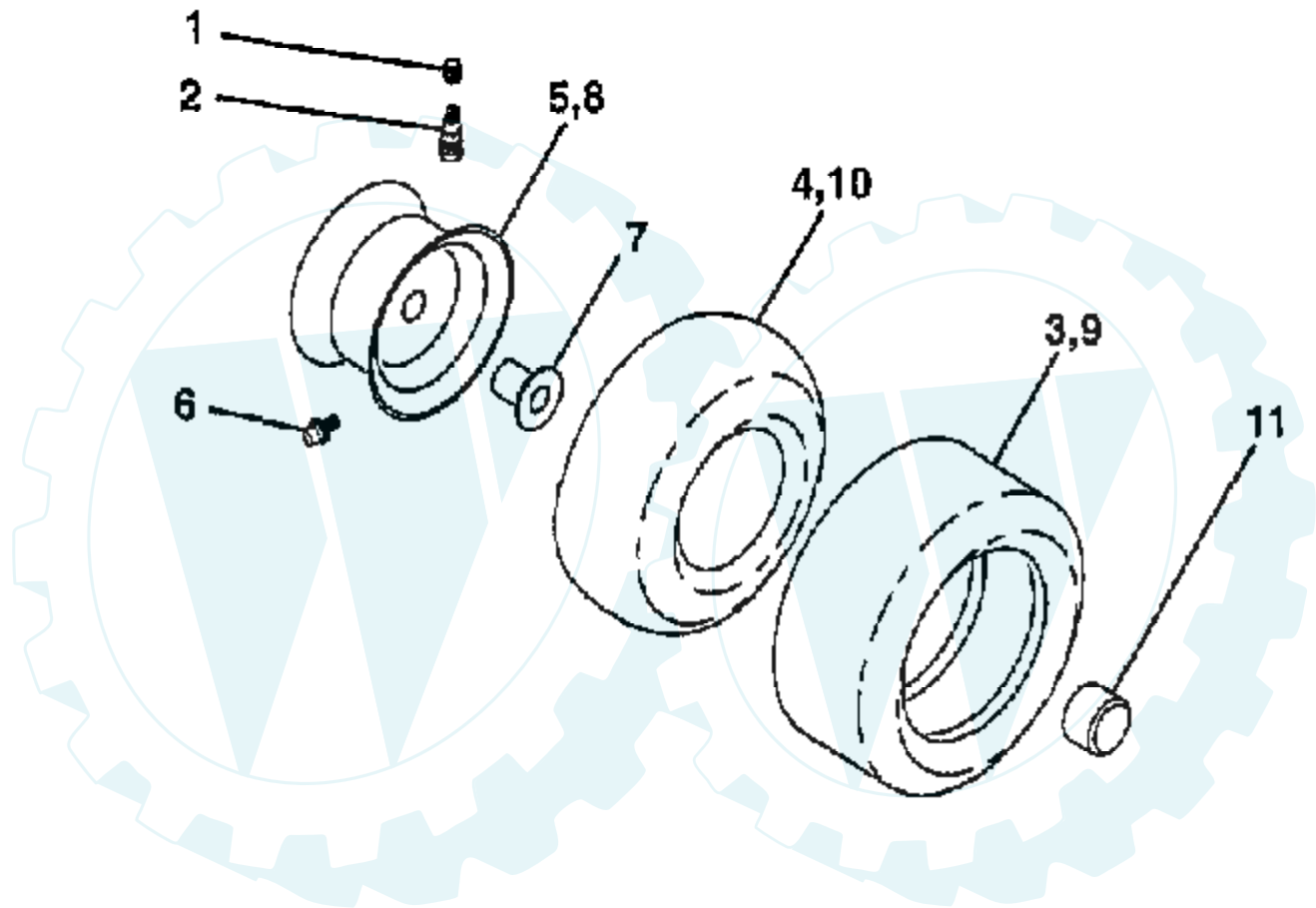
STEERING



Ref #	Part Number	Qty	Description
1	140044		WHEEL STR AYP BLK
2	154427		AXLE ASM
3	156483		SPINDLE.ASM.LH
4	157473		"SPINDLE ASM,RH"
5	6266H		WASHER .T
6	121748X		WASHER
7	19272016		WASHER
8	12000029		RING
9	3366R		COL. SRTG. BEAR.
10	156438		DRAGLINK-STAMPED
11	10040600		LOCKWASHER
13	154779		BEARING AXLE
15	73901000		"NUT-LOC,FLANGE LT"
17	156546		SHAFT ASM STEERIN
18	57079		THRUST WASHER
19	124035X		SUPPORT.SHAFT
20	126684X		SUB= 532126684
22	71200410		SCREW HEX SOC1/4-
23	127501		SUB= 918127501
25	154406		BRKT-STEERING
26	126847X		BUSHING.DRAGLINK
27	136874		GEAR SECTOR
28	19131416		WASHER
29	17490612		SCREW
30	76020412		COTTER PIN
32	130465		TIE ROD
36	155099		BUSHING.STEERING
37	152927		"SCREW-TT,10-32 FL"
38	140045		CAP STEER AYP
39	19133808		WASHER T
40	7810H		GRIPCO NUT
41	100711L		ADAPTER LT
42	145054		BOOT.STEER.PL
43	121749X		WASHER
44	153720		EXT SHAFT STEERIN
46	121232X		CAP
47	6855M		ZERK M
51	73800500		NUT
54	74780520		BOLT
62	156594		KIT STEERING ASM
63	74780616		BOLT
65	154780		SPACER AXLE
66	154404		"BEARING-ARM,PITMA"
67	74781044		BOLT
68	154429		BRACE AXLE

TRACTOR - - MODEL NUMBER WE13T38B

WHEELS & TIRES



Ref #	Part Number	Qty	Description
1	59192		VALVE CAP
2	65139		VALVE STEM LT
3	106222X		SUB= 122073X
4	59904		TUBE.5.3/4.5/6
5	106732X427		"RIM ASM 6"" FRT"
6	278H		FITTING LT
7	9040H		"FLANGE, BEARING"
8	106108X427		"RIM AS 8"" REAR"
9	124635X		SUB= 126957X
10	7152J		TUBE.18X9.5-8
11	104757X		HUB CAP
	144334		SEALANT.TIRE 10 OZ. TUBE

