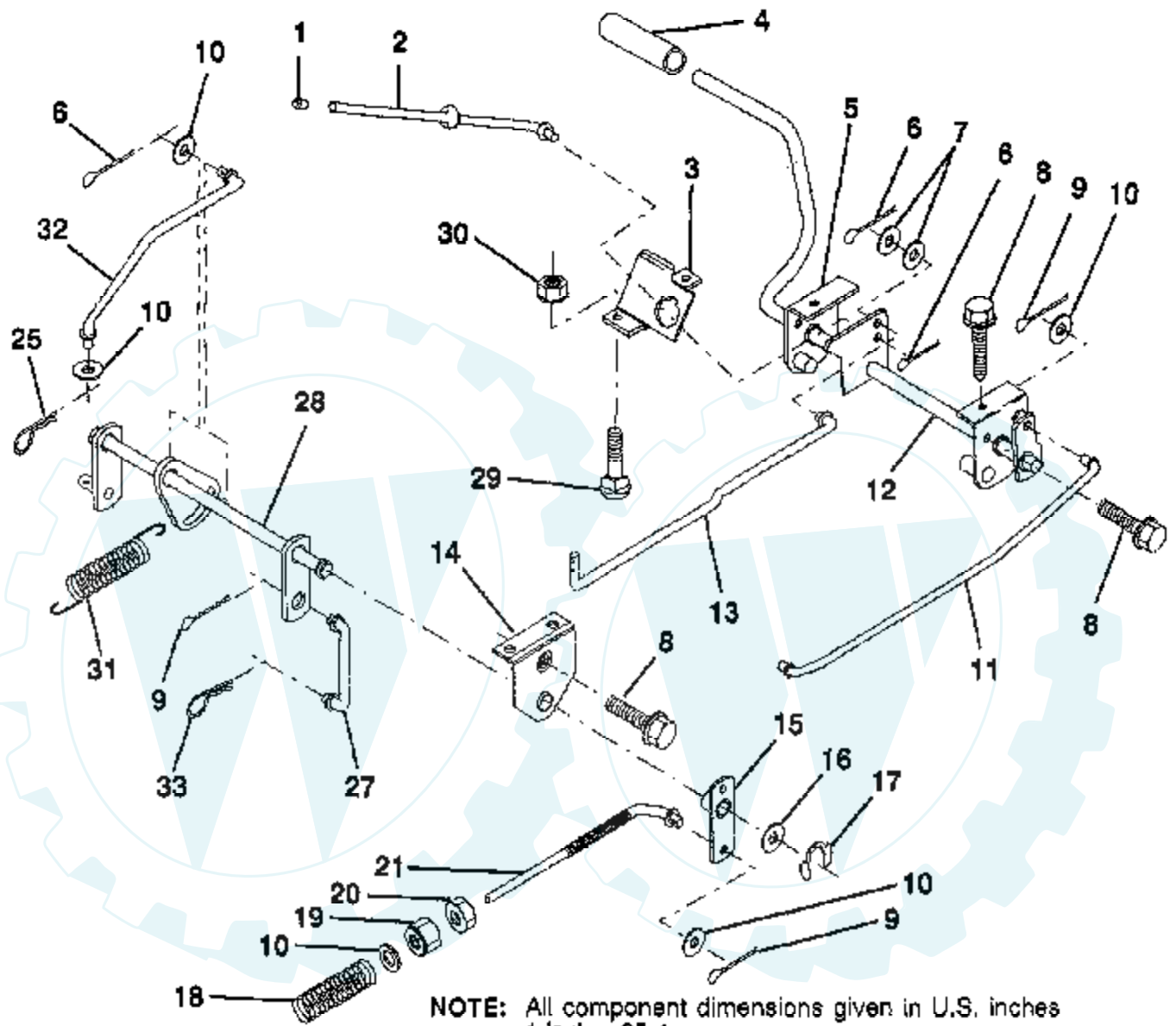


12 HP 38" TRACTOR - - MODEL NUMBER WE12R38A BRAKE / REAR MOWER LIFT ASSEMBLY

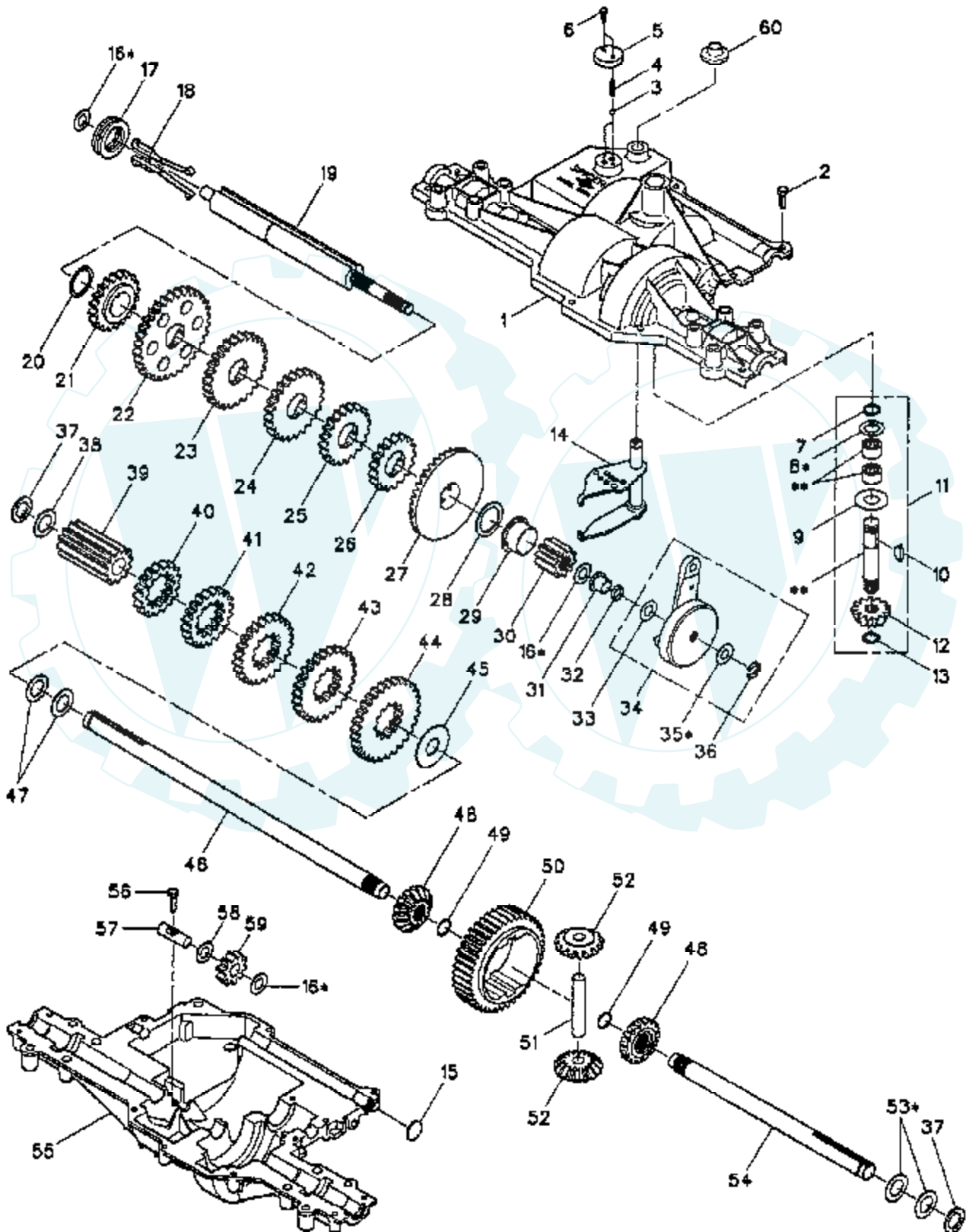


NOTE: All component dimensions given in U.S. inches
1 inch = 25.4 mm

HARDWARE SHOWN LARGER FOR EASIER IDENTIFICATION

Ref #	Part Number	Qty	Description
1	71673		PLUNGER CAP T
2	123436X		"ROD,PARK BRAKE"
3	123437X		"BRKT,PARK BRAKE"
4	8883R		PEDAL COVER T
5	132205		BRK ASM CLUT LH
6	76020312		SUB= 3145
7	19131016		WASHER
8	17490508		SCREW LT
9	76020412		COTTER PIN
10	19131316		WASHER
11	123543X		"ROD,FRT BRAKE"
12	136263		ASM CLUTCH/BRK PD
13	123394X		"ROD,CLUTCH"
14	121978X		"BRKT,LIFT SHAFT"
15	123641X		BRAKE PIVOT ARM
16	19251816		WASHER T
17	12000034		KLIP RING
18	106888X		SPRING ROD LT
19	73800600		NUT
20	73350600		NUT
21	131936		ROD.BRAKE.REAR
25	4921H		SPRING.RETAINER
27	136780		LINK LIFT REAR LR
28	136779		LIFT ASM MWR RE
29	72110506		SUB= 72270506
30	73510500		NUT
31	133095		COUNTER SPRING
32	133721		LINK LIFT LEVER
33	4939M		SUB= 85902

12 HP 38" TRACTOR - - MODEL NUMBER WE12R38A DANA TRANSAXLE - MODEL NUMBER 2000-06



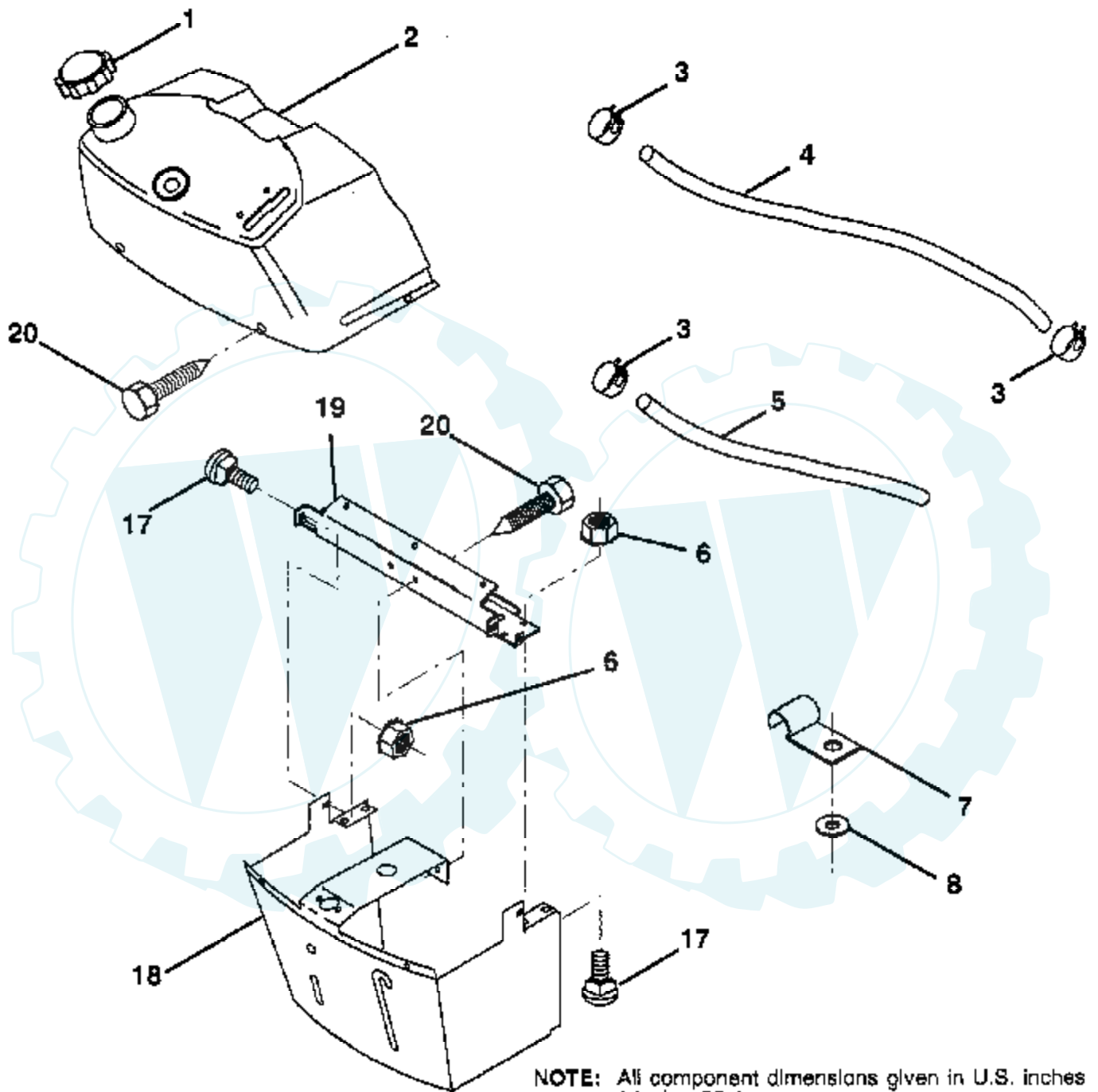
Ref #	Part Number	Qty	Description
1	139171		HOUSING, UPPER
2	2274J		SUB= 74760412
3	134400		SUB= 68003
4	134423		SPRING, DETENT
5	134422		COVER, DETENT
6	6731J		SCREW, TAPPING, LARGE #8-32 X .50
7	2267J		RETAINING RING LT
8	134793		ASM KIT SHIM 4689
9	120415X		WASHER T
10	2257J		WOODRUFF KEY
11	134390		ASSEMBLY, KIT, INPUT SHAFT
12	134381		PINION,, BEVE, 13 TEETH
13	134383		RING, RETAINING
14	134387		ASSEMBLY, SHIFTER
15	134428		SEAL
16	134393		ASSEMBLY, KIT, SHIM, .500 SHAFT
17	105913X		SUB= 138246
18	134391		ASSEMBLY, KIT, CLUTCH KEYS
19	134415		SHAFT, DRIVE
20	105916X		"RING,RETAINING LT"
21	134409		GEAR, SPUR, 20 TEETH
22	134408		GEAR , SPUR, 32 TEETH
23	134407		GEAR, SPUR, 26 TEETH
24	134406		GEEAR, SPUR, 24 TEETH
25	134403		GEAR, SPUR, 20 TEETH
26	134402		GEAR, SPUR, 17 TEETH
27	134410		GEAR, BEVEL, 39 TEETH
28	134429		WASHER, PLAIN 1,135 X 1.56 X .062
29	134421		BEARING, FLANGE
30	134418		GEAR, SPUR, 10 TEETH
31	134420		BEARING, FLANGE
32	134439		SEAL
33	120464X		WASHER T
34	139166		ASSEMBLY, KIT CONE BRAKE
35	134395		ASSEMBLY, KIT, SHAM .464 SHAFT
36	134438		KLIP RING
37	134401		NEOPRENE WASHER
38	2263J		WASHER 062
39	134411		GEAR, SPUR, 12 TEETH
40	134380		GEAR, SPUR, 17 TEETH
41	134384		GEAR, SPUR, 20 TEETH
42	134414		GEAR, SPUR, 24 TEETH
43	134413		GEAR, SPUR, 26 TEETH
44	134412		GEAR SPUR, 29 TEETH
45	134382		WASHER, PLAIN, .758 X 1.88 X .062
46	139167		AXLE, L.H.
47	2264J		WASHER 031
48	110081X		GEAR 15T T
49	105941X		"RING,RETAINING LT"
50	134419		GEAR, SPUR, 41 TEETH
51	120952X		SHAFT T
52	110082X		GEAR 1ST T
53	134394		ASM KIT SHIM
54	139168		AXLE, R.H.
55	139169		HOUSING, LOWER
56	2274J		SUB= 74760412
57	134385		SHAFT, IDLER
58	120465X		WASHER T

Ref #	Part Number	Qty	Description
59	139170		GEAR, SPUR, 10 TEETH
60	134399		SHIFTER BOOT
61	120416X		SUB= 126976X



12 HP 38" TRACTOR - - MODEL NUMBER WE12R38A

DASHBOARD



NOTE: All component dimensions given in U.S. inches
1 Inch = 25.4 mm

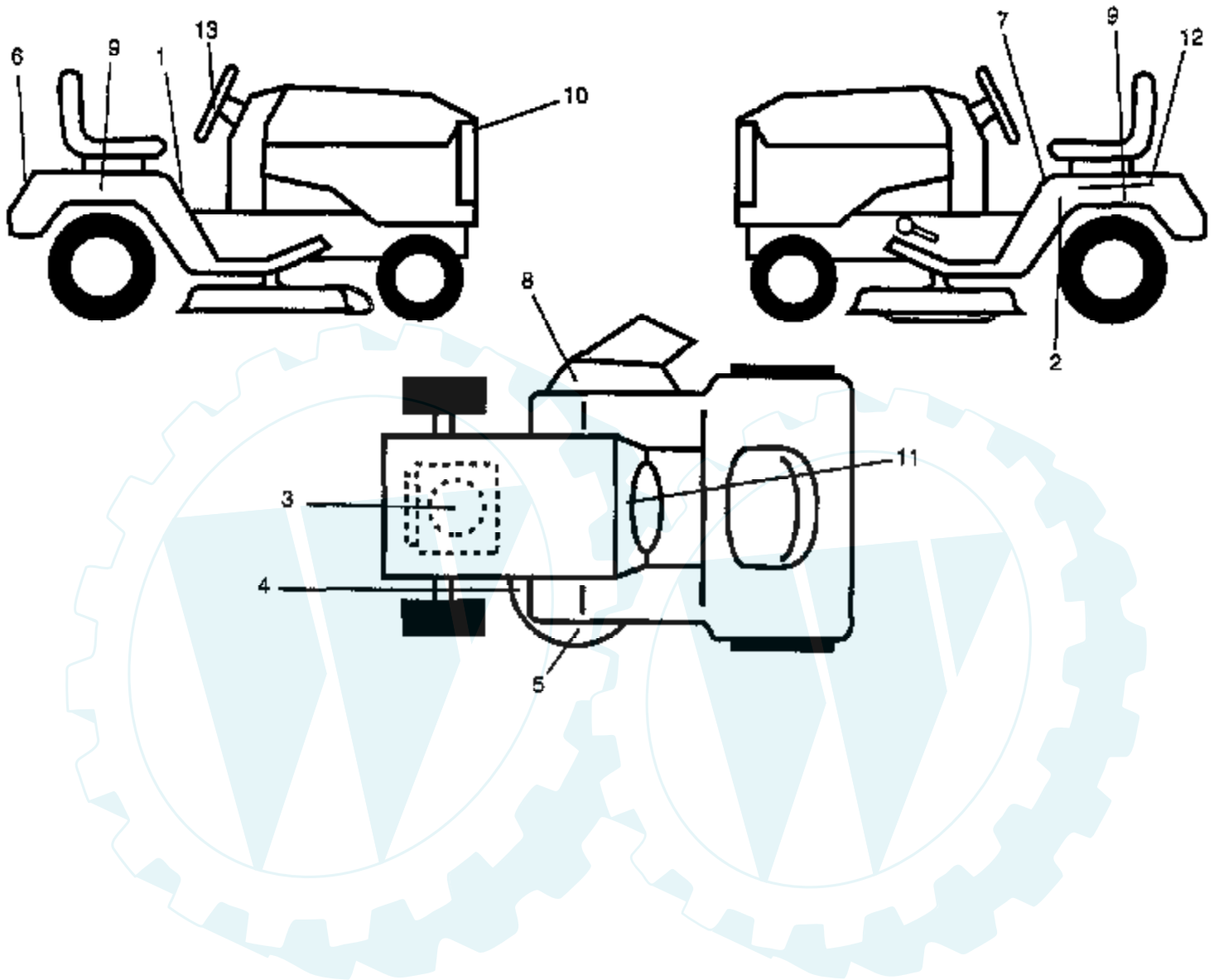
HARDWARE SHOWN LARGER FOR EASIER IDENTIFICATION

Ref #	Part Number	Qty	Description
1	132734		CAP.FUEL.N/VENT
2	138392		TANK.ASM.DASH.LR
3	123487X		HOSE CLAMP
4	8544R		SUB= 295J
5	8548R		FUEL LINE T
6	73510400		NUT
7	2751R		CLIP T
8	19091216		WASHER PM
17	72110404		BOLT
18	131886		SUPT ASM DASH
19	134744		CROSS BRACE
20	17060408		SCREW.1/4-20X1/2

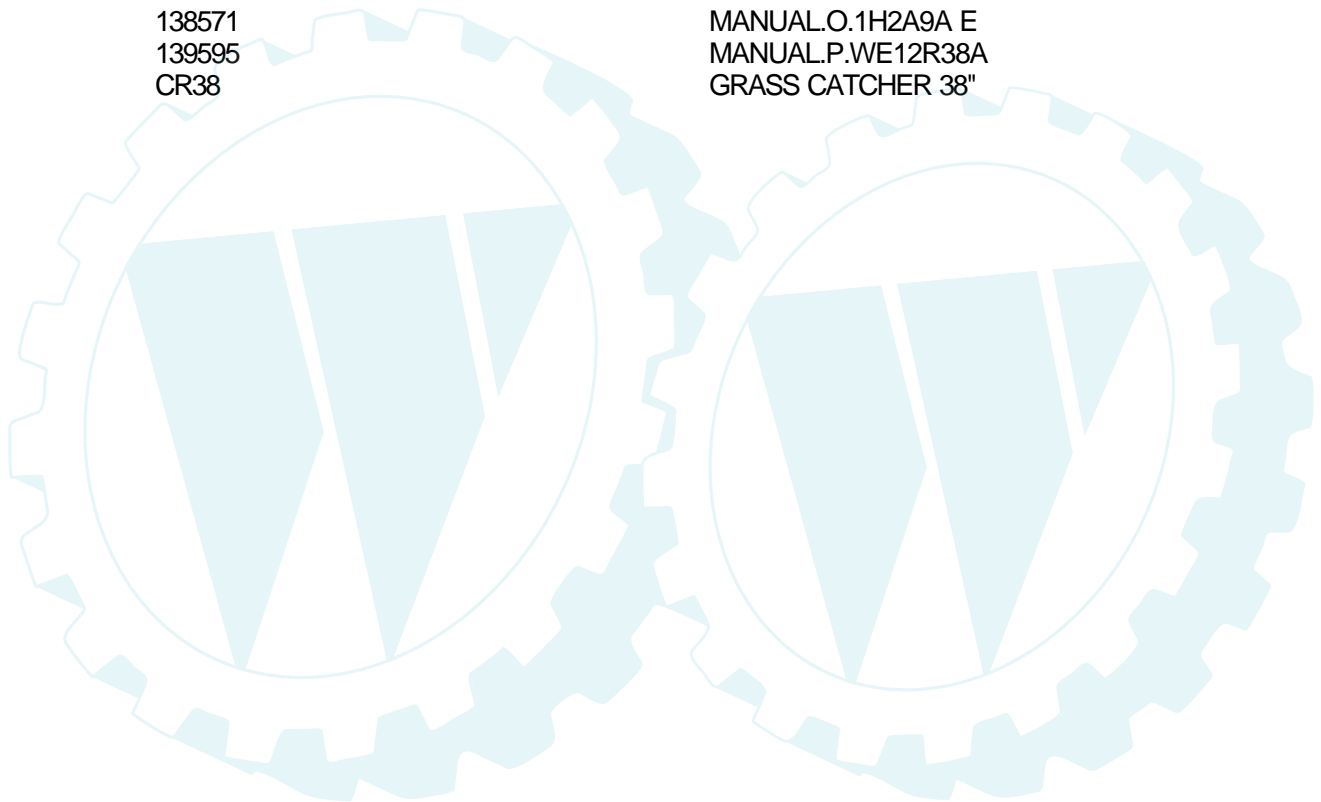


12 HP 38" TRACTOR - - MODEL NUMBER WE12R38A

DECALS

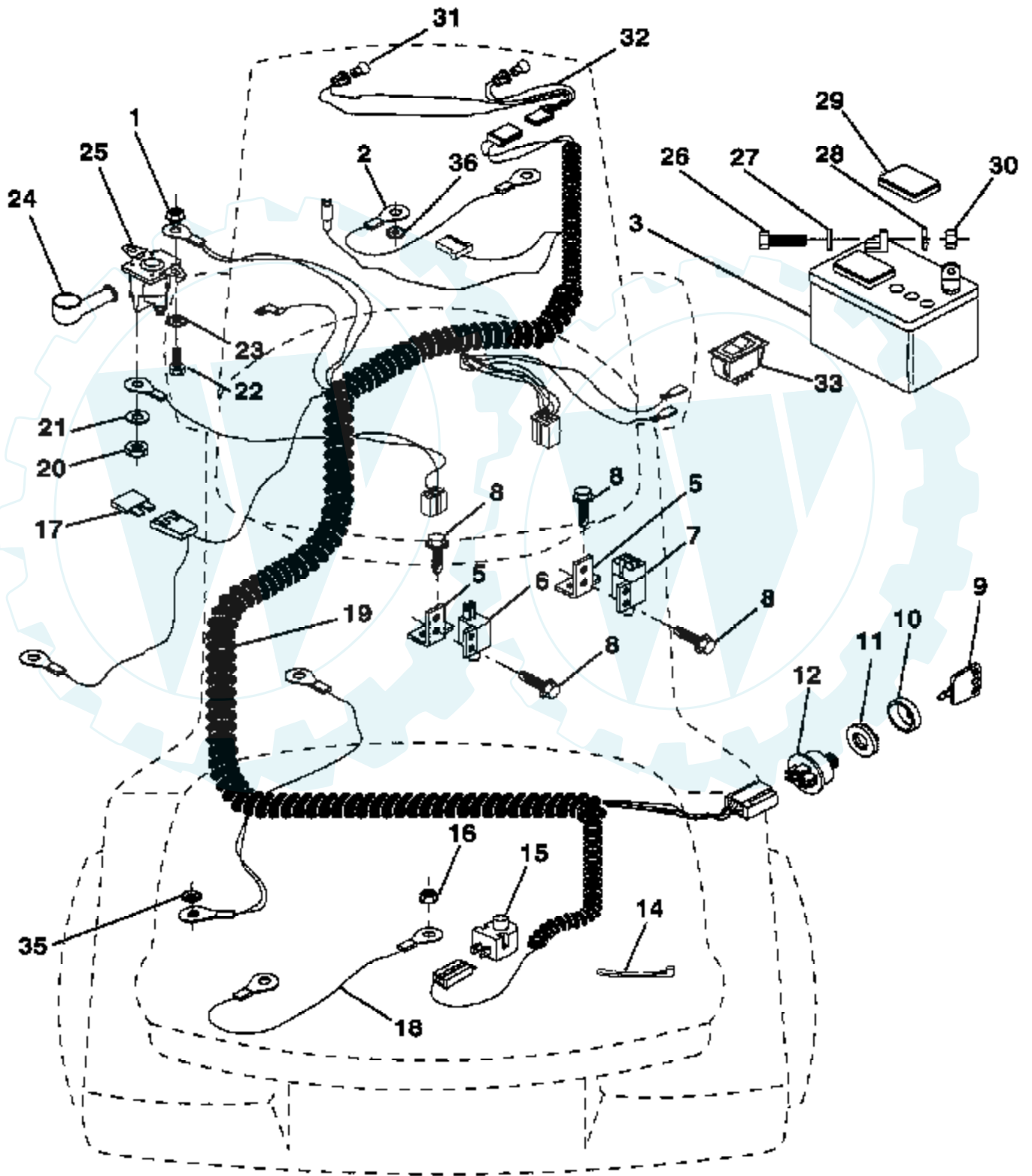


Ref #	Part Number	Qty	Description
1	139191		DECAL.SHIFT.CTR.
2	132928		IND HGT DECK DECA
3	120601		SUB= 120601X
4	136832		DECAL
5	135013		NLA
6	137043		DECAL.FENDER
7	133795		DECAL CAUTION
8	137259		"DECAL, WARNING"
9	138804		DECAL.FEND.QUICKS
10	126860X		"DECAL,LIGHT BOX"
11	123637X		SUB= 138269
12	121549X		DECAL
13	137042		DECAL.WHL.STRG.
	138573		MANUAL.OPERATOR
	138571		MANUAL.O.1H2A9A E
	139595		MANUAL.P.WE12R38A
	CR38		GRASS CATCHER 38"



12 HP 38" TRACTOR - - MODEL NUMBER WE12R38A

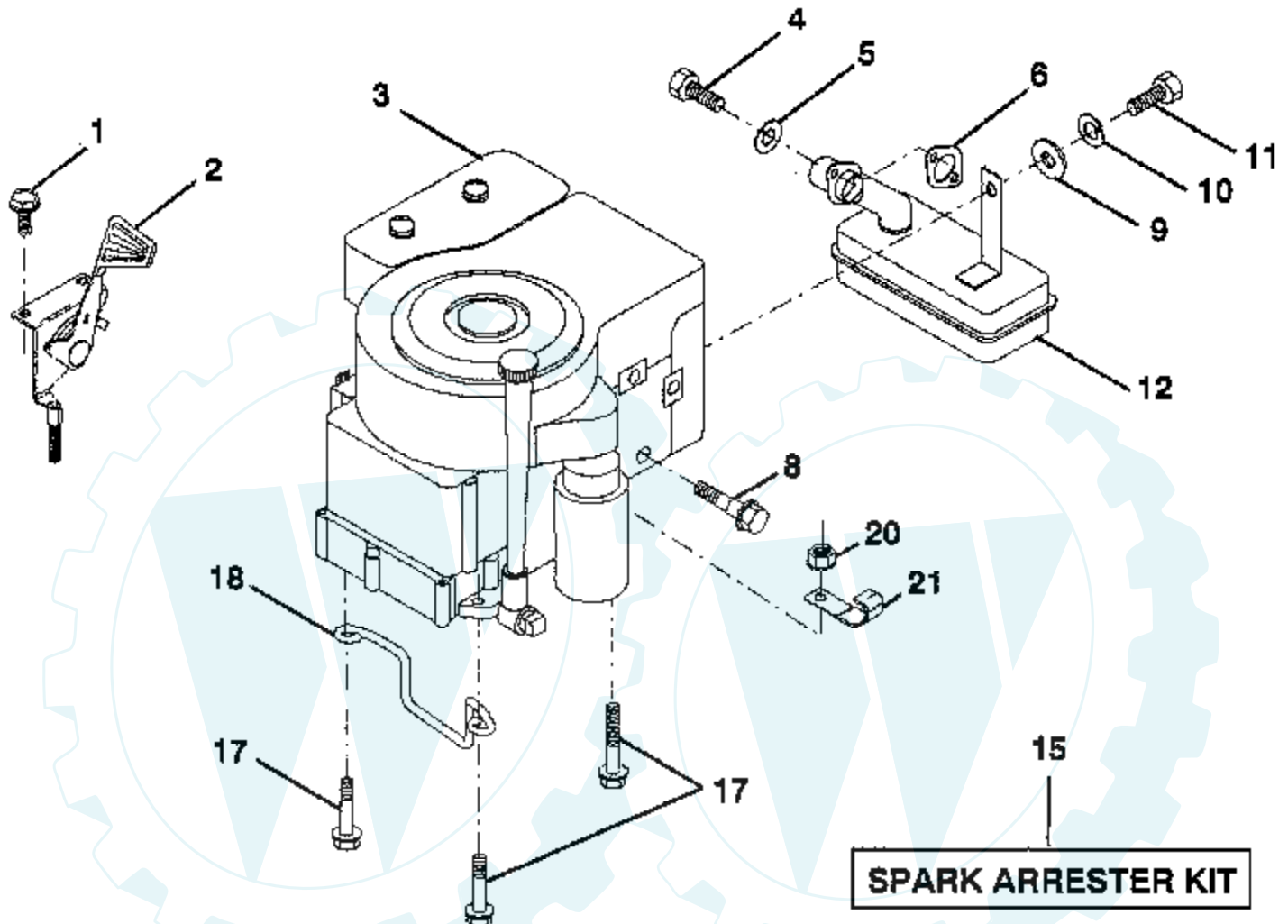
ELECTRICAL



Ref #	Part Number	Qty	Description
1	73510400		NUT
2	108423X		CABLE ASM.
3	133909		SUB= 123899X
5	108236X		BRACKET LT
6	104445X		SWITCH-INTER. GT
7	109553X		SWITCH INTERLOCKT
8	17021008		SCREW
9	122147X		KEY
10	123620X		SUB= 141226
11	124211X		NUT IGNITION
12	4406R		SUB= STD365402
14	7192J		WIRE TIE
15	121305X		SWITCH SEAT
16	73510500		NUT
17	108824X		FUSE HYT
18	128353		CABLE ASSY
19	137953		HARNESS.IGN
20	73350400		NUT
21	10090400		SUB= 10040400
22	74780408		BOLT
23	11050400		LOCKWASHER
24	131563		SUB= 154336
25	138406		SUB= 146154
26	74760412		BOLT LT
27	19091016		WASHER
28	10040400		LOCKWASHER
29	121264X		"CAP,BATTERY "
30	73220400		SUB= 50675
31	7662J		SUB= 4152J
32	136849		SUB= 136850
33	110712X		SWITCH LT
35	11050600		LOCKWASHER
36	11150400		LOCKWASHER

12 HP 38" TRACTOR -- MODEL NUMBER WE12R38A

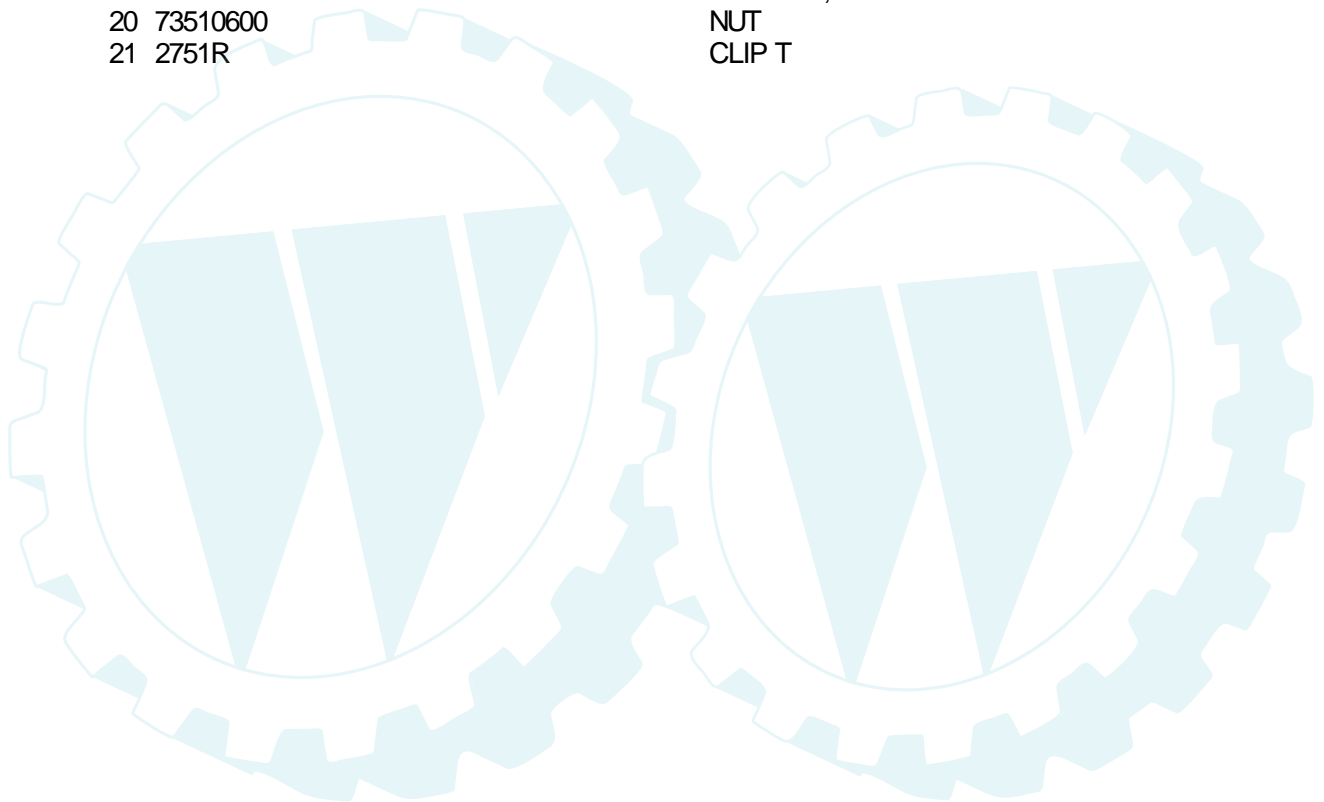
ENGINE / THROTTLE



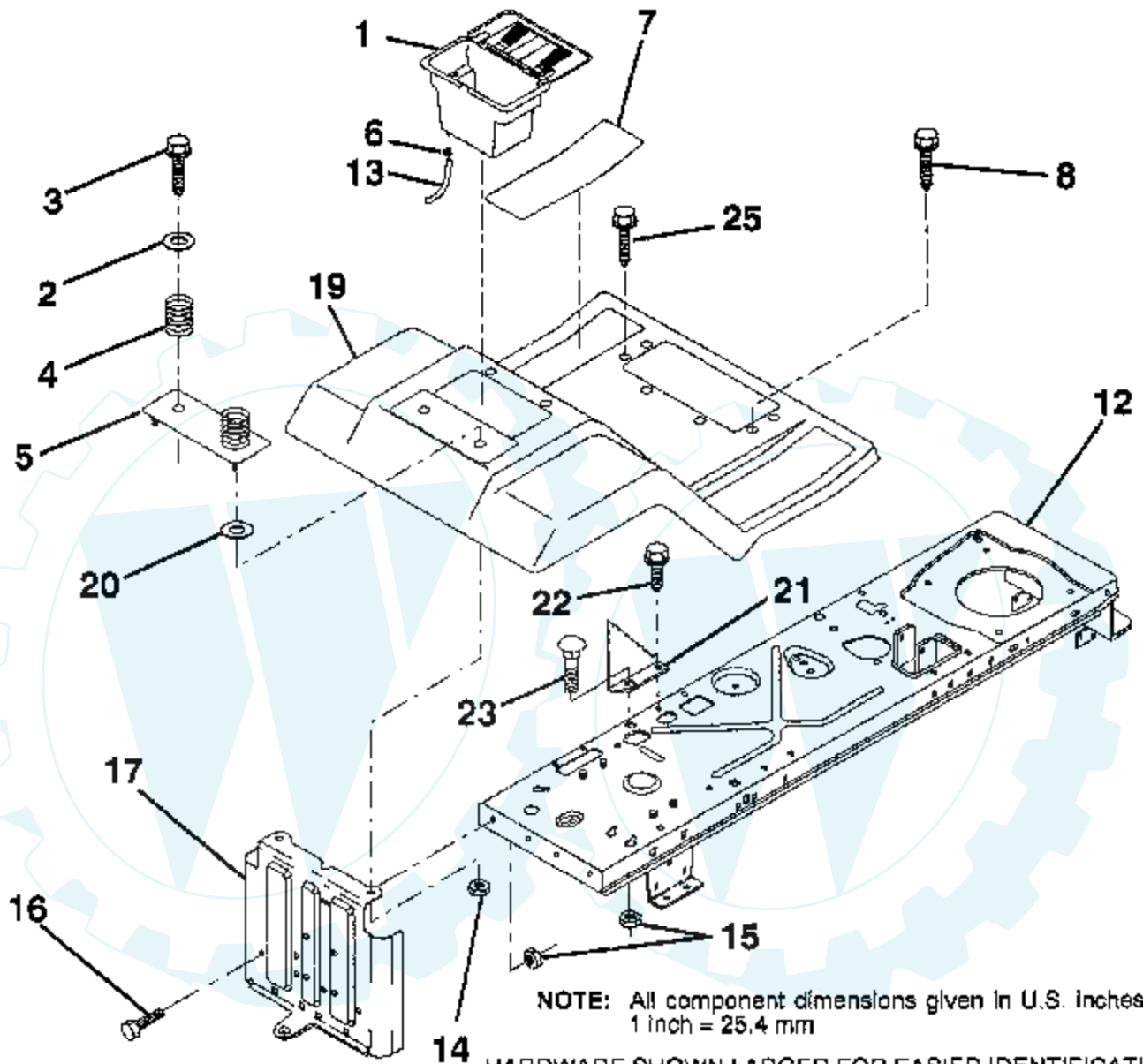
NOTE: All component dimensions given in U.S. inches
1 inch = 25.4 mm

HARDWARE SHOWN LARGER FOR EASIER IDENTIFICATION

Ref #	Part Number	Qty	Description
1	17060408		SCREW.1/4-20X1/2
2	132521		THROTTLE CONTROL
3	283707		ENGINE
4	71070512		SCREW
5	10040500		LOCKWASHER
6	125593X		SUB= 272293
8	121094X		BOLT T
9	19101216		WASHER
10	10040400		LOCKWASHER
11			CHECK WITH SUPPLIER
12	137437		MUFFLER
15	137180		SUB= 532137180
17	17490624		SCREW LT
18	126636X		"KEEPER,DR BELT GR"
20	73510600		NUT
21	2751R		CLIP T



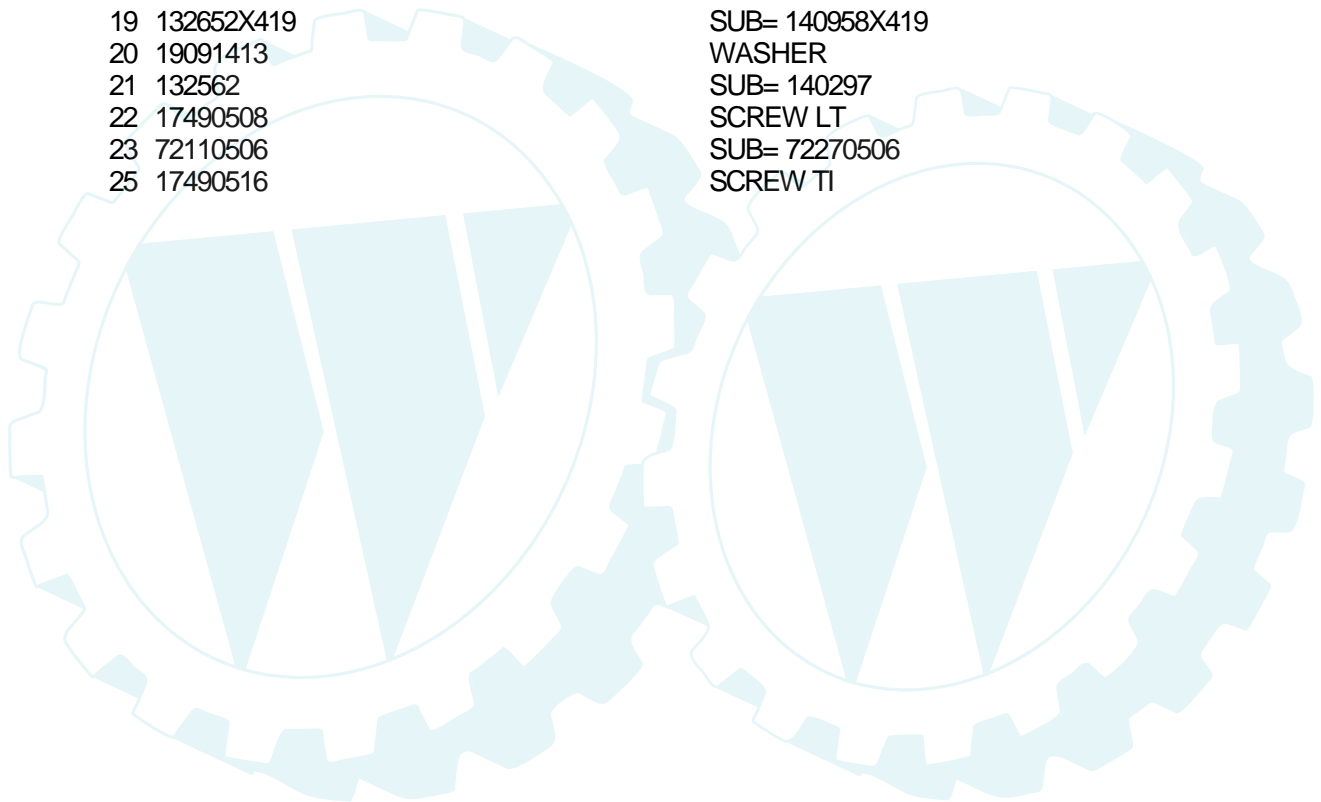
12 HP 38" TRACTOR - - MODEL NUMBER WE12R38A
FENDER / CHASSIS



NOTE: All component dimensions given in U.S. inches
1 inch = 25.4 mm

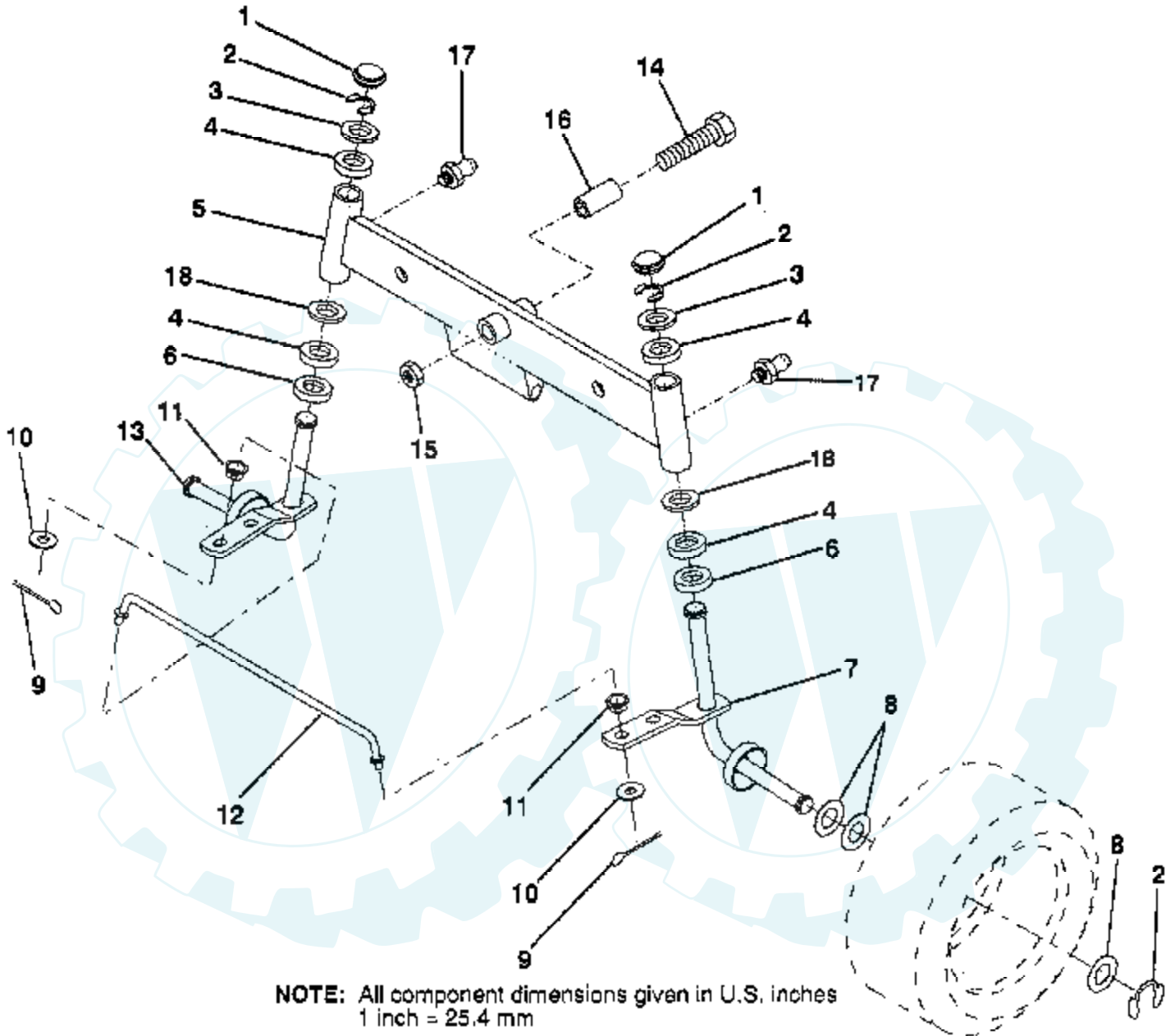
HARDWARE SHOWN LARGER FOR EASIER IDENTIFICATION

Ref #	Part Number	Qty	Description
1	129965		SUB= 156417
2	19132012		WASHER
3	17490612		SCREW
4	124181X		SPRING COMPRESSIO
5	127115X419		"PLATE, BATTERY"
6	109596X		HOSE CLAMP T
7	124144X		PAD FOOTREST
8	17490512		SCREW
12	137097		SUB= 139893
13	109238X		TUBE T
14	73510400		NUT
15	73680500		SUB= 73690500
16	74760512		BOLT
17	127880		DRAWBAR
19	132652X419		SUB= 140958X419
20	19091413		WASHER
21	132562		SUB= 140297
22	17490508		SCREW LT
23	72110506		SUB= 72270506
25	17490516		SCREW TI



12 HP 38" TRACTOR - - MODEL NUMBER WE12R38A

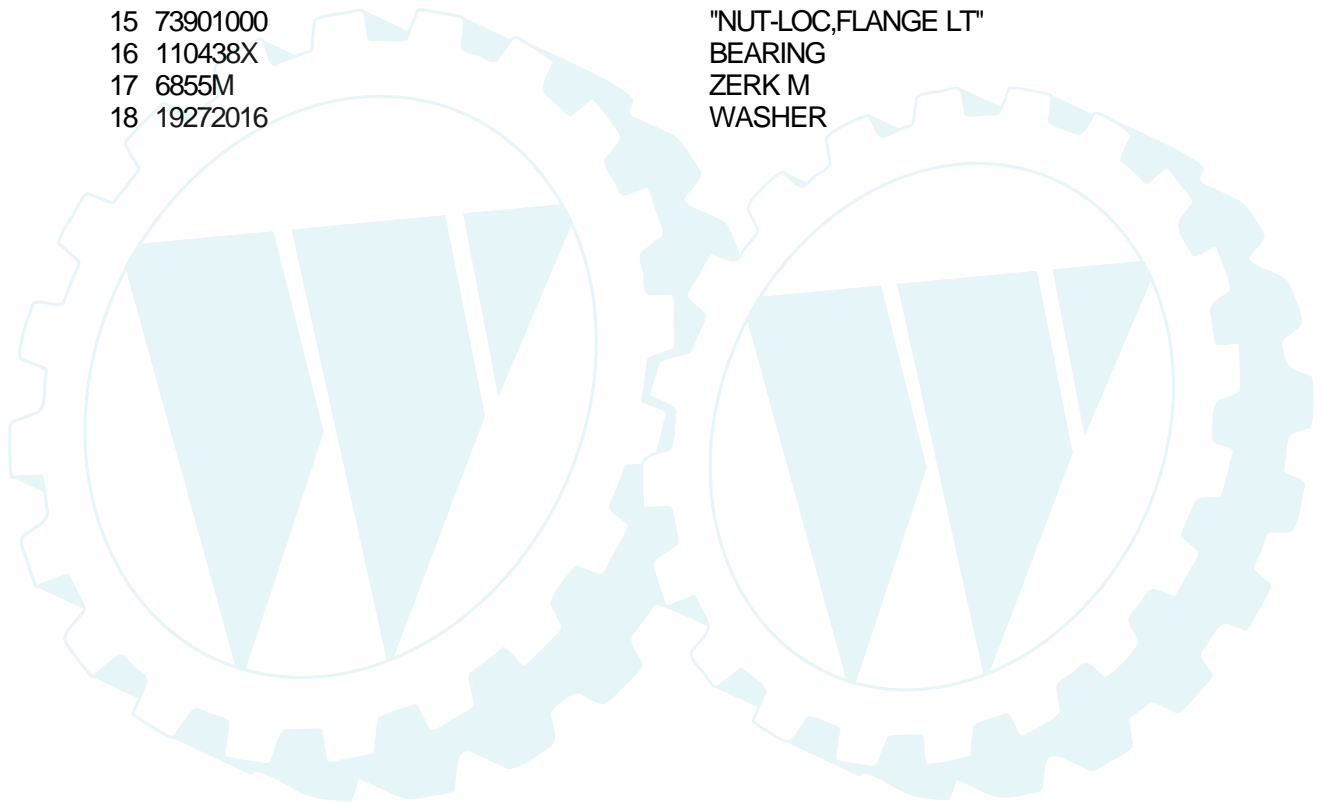
FRONT AXLE



NOTE: All component dimensions given in U.S. inches
1 inch = 25.4 mm

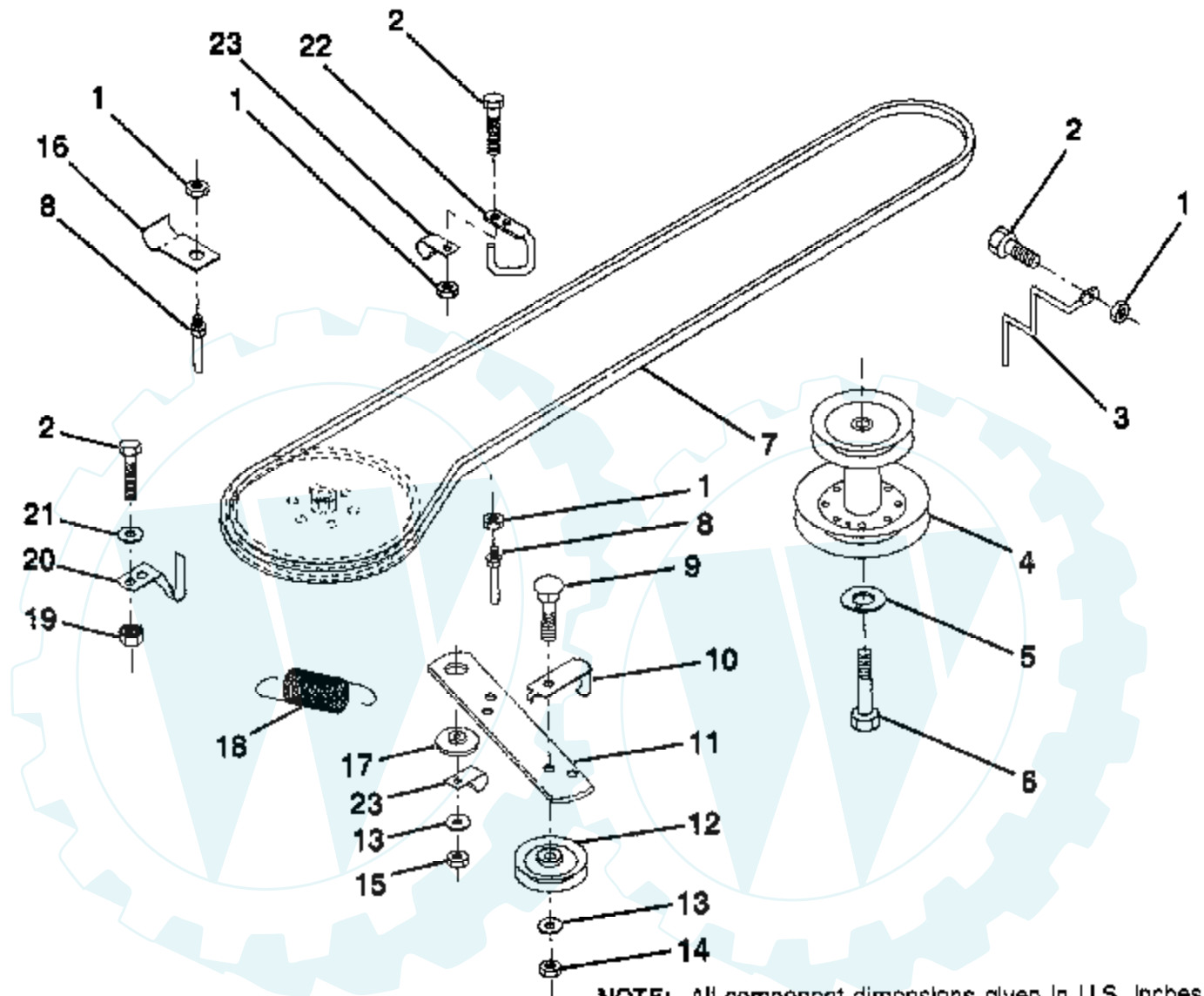
HARDWARE SHOWN LARGER FOR EASIER IDENTIFICATION

Ref #	Part Number	Qty	Description
1	121232X		CAP
2	12000029		RING
3	121748X		WASHER
4	3366R		COL. SRTG. BEAR.
5	133988		SUB= 142033
6	6266H		WASHER .T
7	137062		SPINDLE ASM RH
8	121749X		WASHER
9	76020412		COTTER PIN
10	19131316		WASHER
11	126847X		BUSHING.DRAGLINK
12	130465		TIE ROD
13	137061		SPINDLE ASM LH
14	74011056		BOLT HEX 5/8-11
15	73901000		"NUT-LOC,FLANGE LT"
16	110438X		BEARING
17	6855M		ZERK M
18	19272016		WASHER



12 HP 38" TRACTOR - - MODEL NUMBER WE12R38A

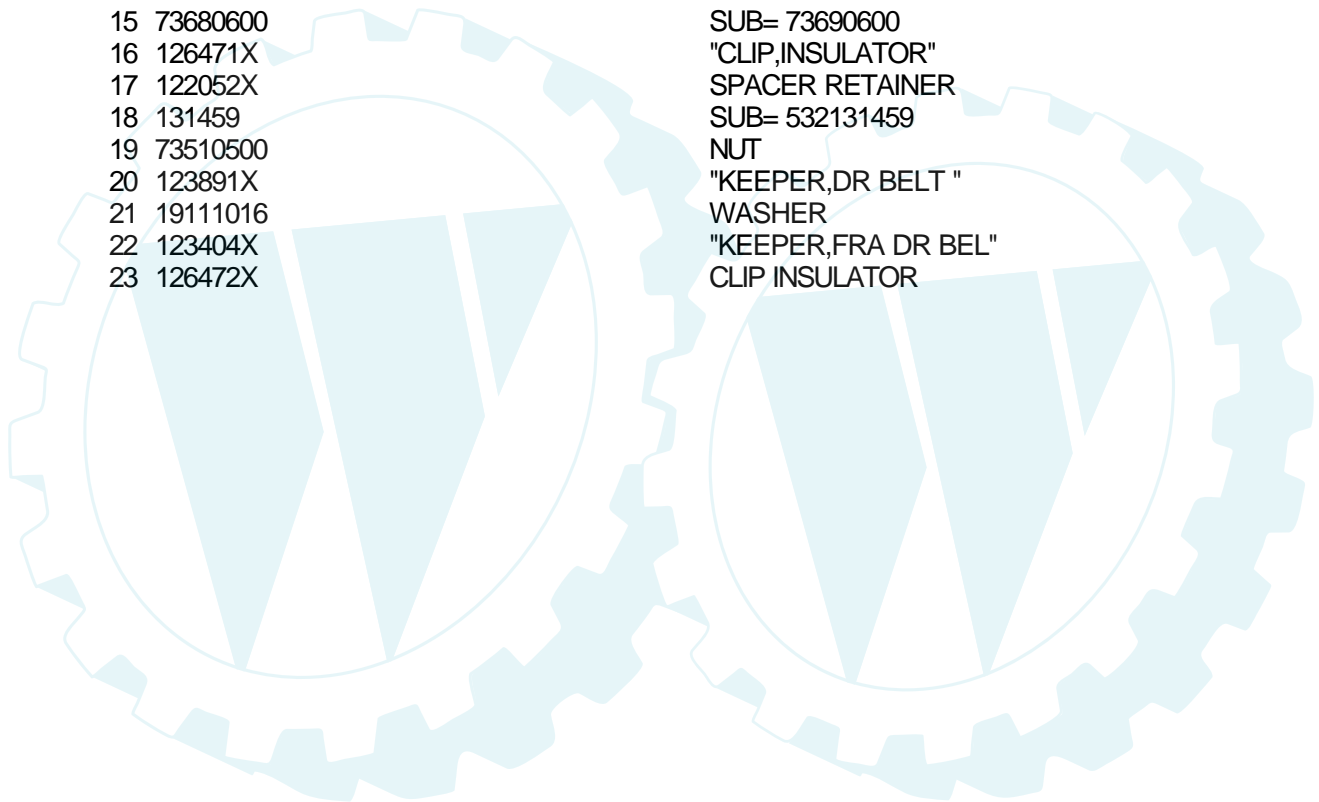
GROUND DRIVE



NOTE: All component dimensions given in U.S. Inches
1 inch = 25.4 mm

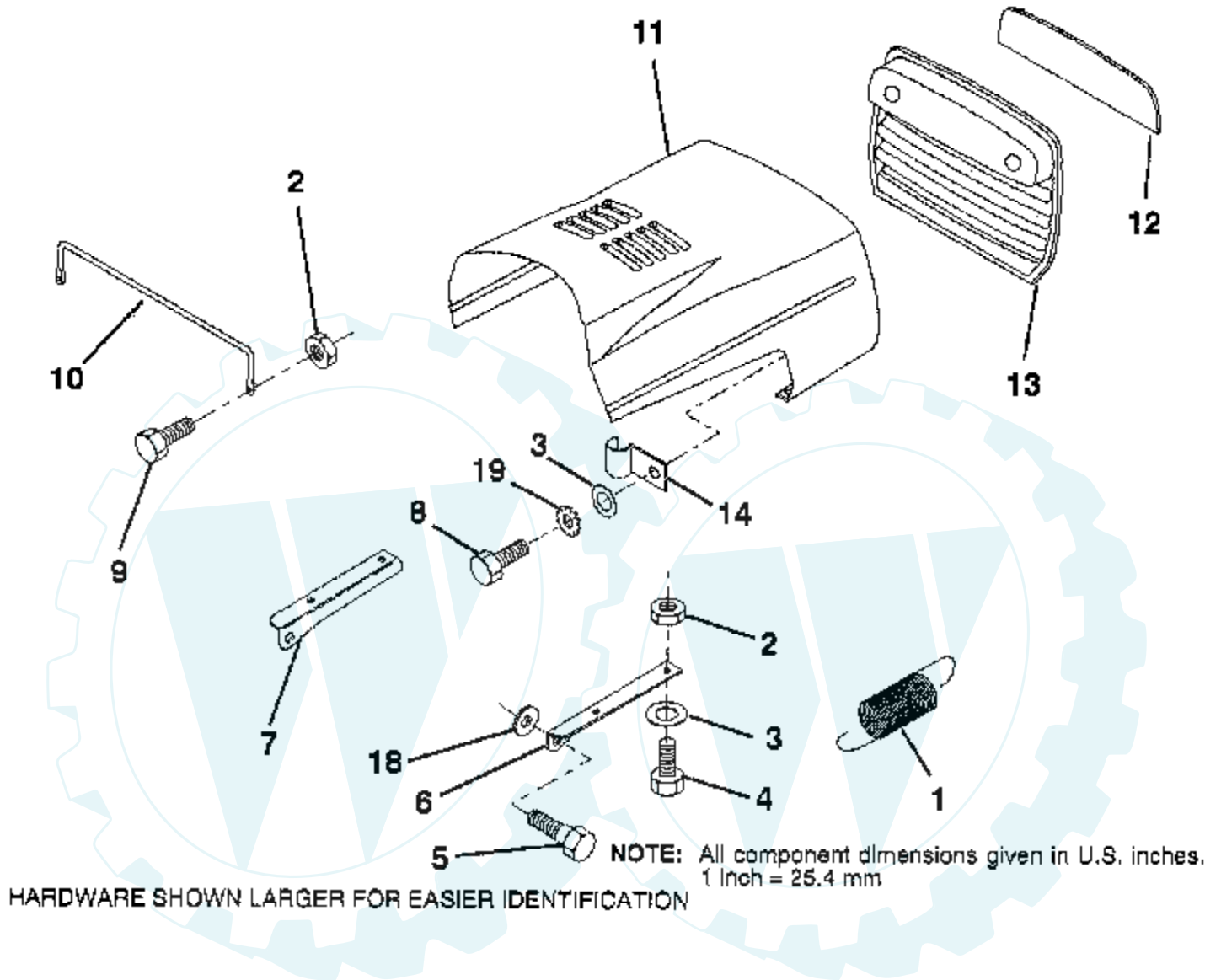
HARDWARE SHOWN LARGER FOR EASIER IDENTIFICATION

Ref #	Part Number	Qty	Description
1	73680500		SUB= 73690500
2	74760512		BOLT
3	132946		KEEPER MWR DR BLT
4	135036		SUB= 138029
5	10040700		LOCKWASHER
6	71130748		BOLT
7	124525X		BELT
8	123405X		"KEEPER,DRIVE BELT"
9	72140612		BOLT
10	123396X		"KEEP,IDLER DR BEL "
11	123395X		SUB= 140911
12	123674X		PULLEY.IDLER.FLAT
13	19131316		WASHER
14	73930600		LOCKNUT
15	73680600		SUB= 73690600
16	126471X		"CLIP,INSULATOR"
17	122052X		SPACER RETAINER
18	131459		SUB= 532131459
19	73510500		NUT
20	123891X		"KEEPER,DR BELT "
21	19111016		WASHER
22	123404X		"KEEPER,FRA DR BEL "
23	126472X		CLIP INSULATOR

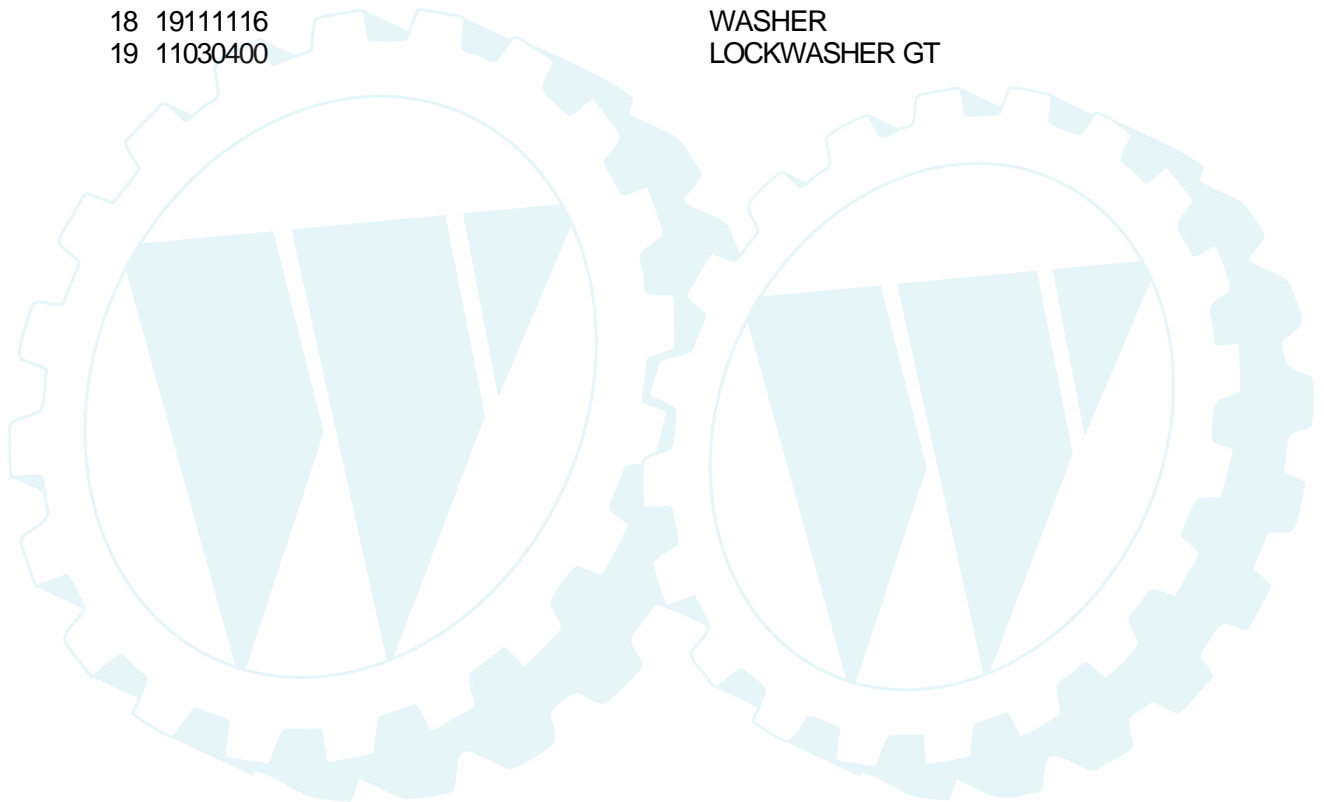


12 HP 38" TRACTOR - - MODEL NUMBER WE12R38A

HOOD

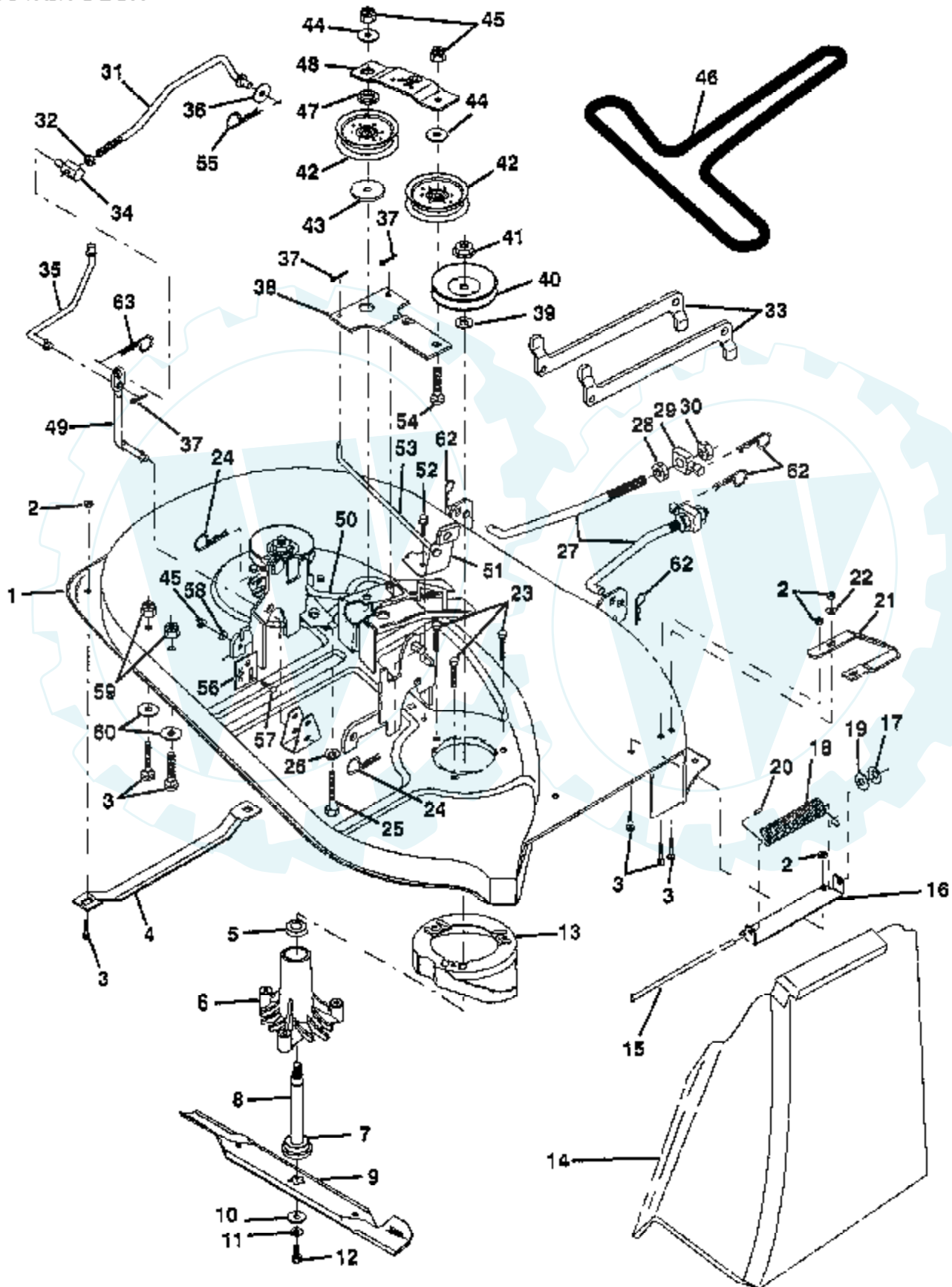


Ref #	Part Number	Qty	Description
1	124657X		EXT SPRING
2	73510400		NUT
3	19091016		WASHER
4	74780410		BOLT
5	126675X		SUB= 139888
6	122549X		BRKT HOOD RH
7	122548X		BRKT HOOD LH
8	17411310		SUB= 17521312
9	74780412		SUB= 74780414
10	123693X		"BRACE,HOOD"
11	132918X419		HOOD
12	122035X		LENS
13	127029X		GRILL
14	2751R		CLIP T
18	19111116		WASHER
19	11030400		LOCKWASHER GT



12 HP 38" TRACTOR - - MODEL NUMBER WE12R38A

MOWER DECK



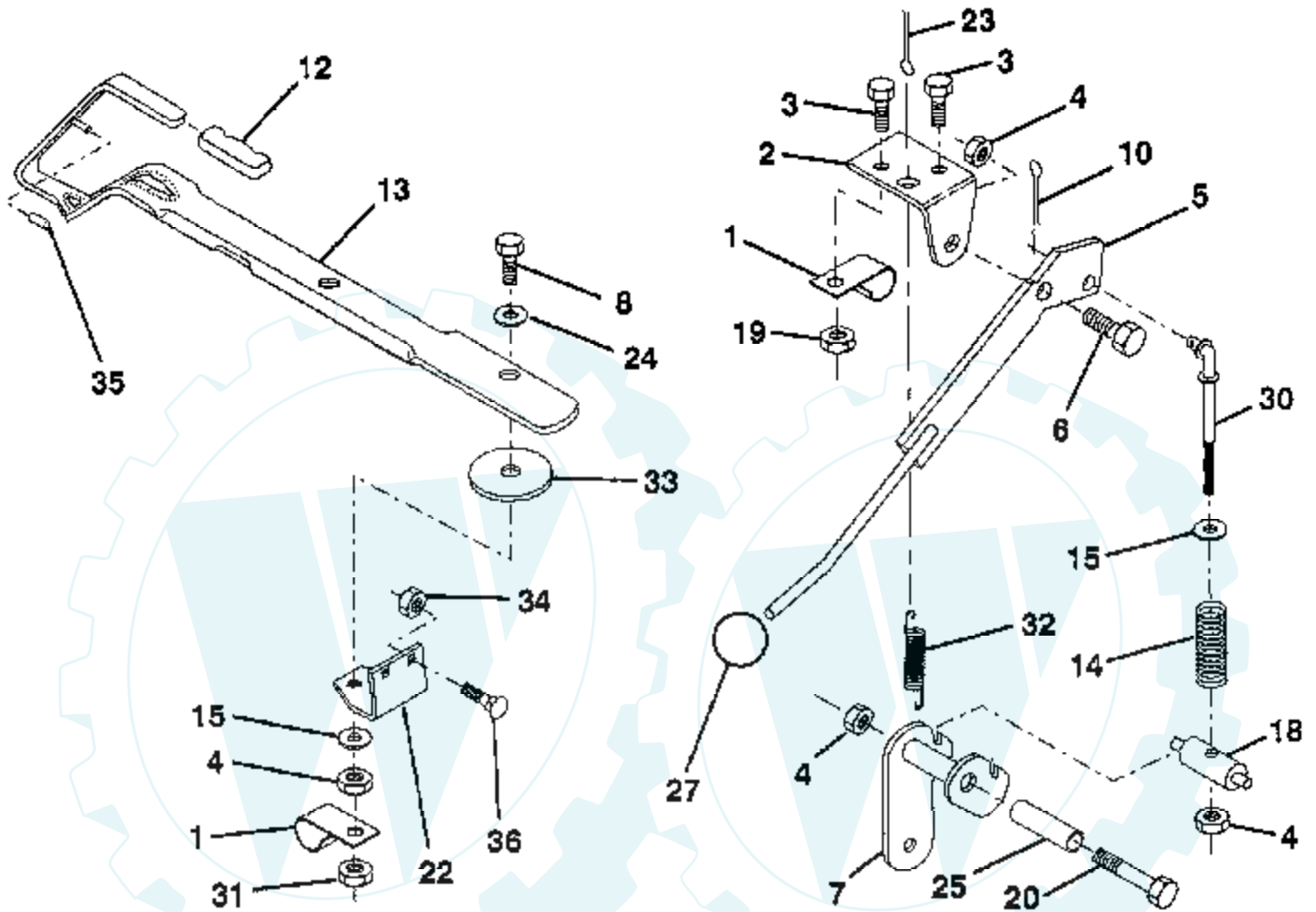
Ref #	Part Number	Qty	Description
1	138356		SUB= 142830
2	73680500		SUB= 73690500
3	72140506		BOLT
4	7631J		RUNNER-LH M
5	110485X		BEARING
6	128774		HSG ASM MANDREL
7	129895		BEARING.BALL
8	137645		SUB= 137646
9	138497		"BLADE.38"" HIPERF"
10	129962		WASHER BLADE
11	10030600		SUB= 10040600
12	850857		BLADE BOLT
13	136929		SUB= 140329
14	106736X		DEFLECTOR-SHLD T
15	106735X		ROD-HINGE T
16	137607		BRKT DEFLECTOR
17	110452X		NUT PUSH M
18	123713X		SPRING TORSION
19	19111016		WASHER
20	105304X		CAP-SLEEVE LT
21	128772		RUNNER RH
22	19111216		WASHER M
23	78158		SUB= 17580520
24	4939M		SUB= 85902
25	74600636		BOLT
26	19131612		WASHER GT
27	132556		"LINK ASM.,FRONT"
28	73350800		NUT
29	130171		TRUNION
30	73800800		NUT.LK.W/WSH.1/2.
31	132553		CLUTCH ROD PRI
32	73350600		NUT
33	132559		SUSP ARM REAR
34	133604		TRUNNION
35	132554		CLUTCH ROD SEC
36	19131316		WASHER
37	76020312		SUB= 3145
38	133840		IDLER ARM ASSY
39	129963		WASHER
40	129206		SUB= 153532
41	137266		SUB= 139729
42	131494		FLAT IDLER PULLEY
43	122052X		SPACER RETAINER
44	19131612		WASHER GT
45	73680600		SUB= 73690600
46	131290		BELT-V.88.12.MW
47	133502		RETAINER SPACER
48	133503		IDLER ARM STIFF
49	133551		PIVOT ROD
50	131289		BRAKE ROD LH
51	130840		BRAKE ASM
52	17490512		SCREW
53	131288		BRAKE ROD RH
54	72110614		BOLT
55	4921H		SPRING.RETAINER
56	136782		PLATE ADJ LINK LH
57	72140606		BOLT
58	19131212		WASHER T

Ref #	Part Number	Qty	Description
59	73800500		NUT
60	19111112		WASHER.34X.68X16
62	3146R		RETAINER.SPRING
63	4497H		RETAINER M
	130794		MANDREL ASM
	138422		SUB= 142862



12 HP 38" TRACTOR -- MODEL NUMBER WE12R38A

MOWER LIFT LEVER



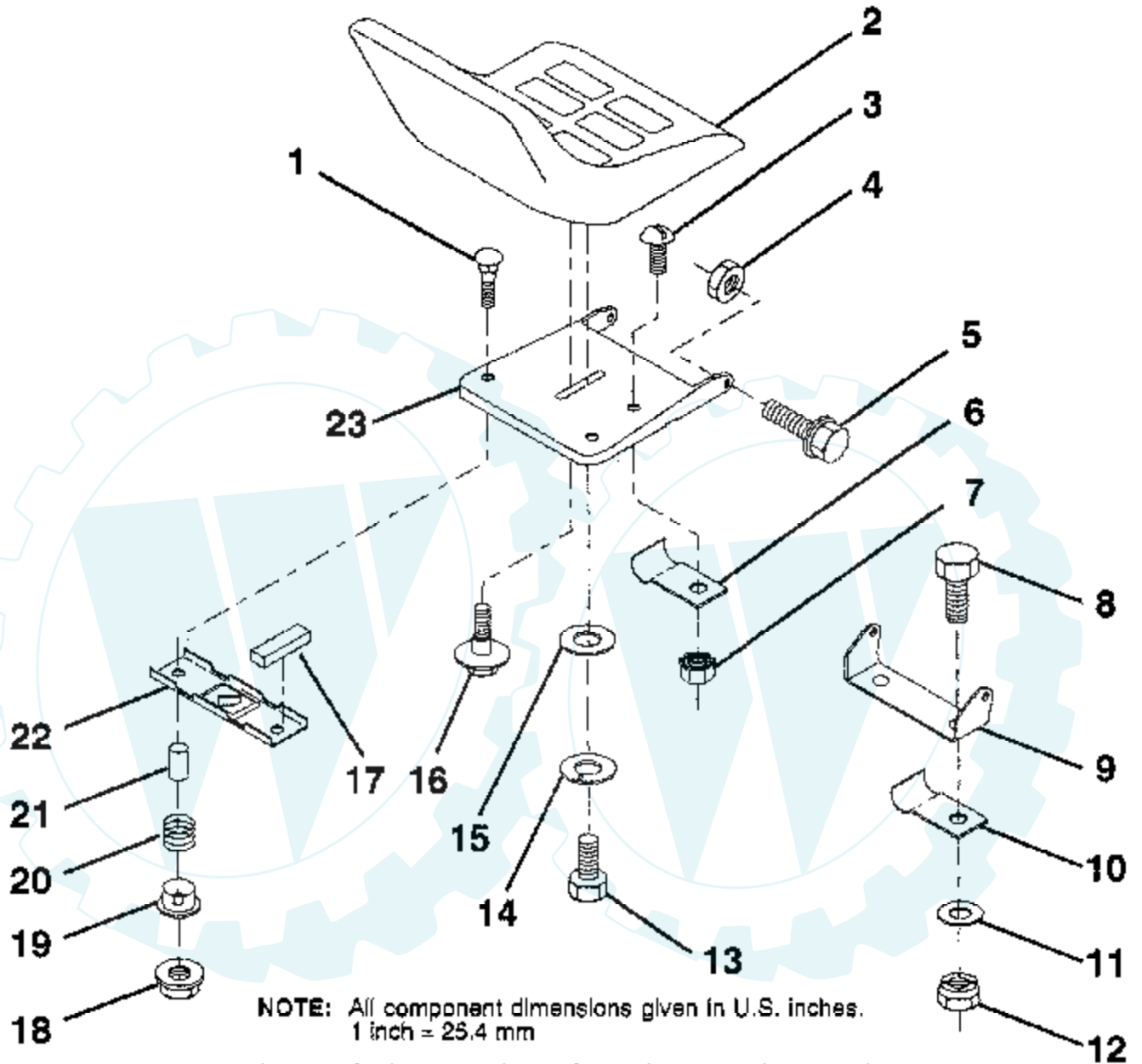
NOTE: All component dimensions given in U.S. Inches
1 Inch = 25.4 mm

HARDWARE SHOWN LARGER FOR EASIER IDENTIFICATION

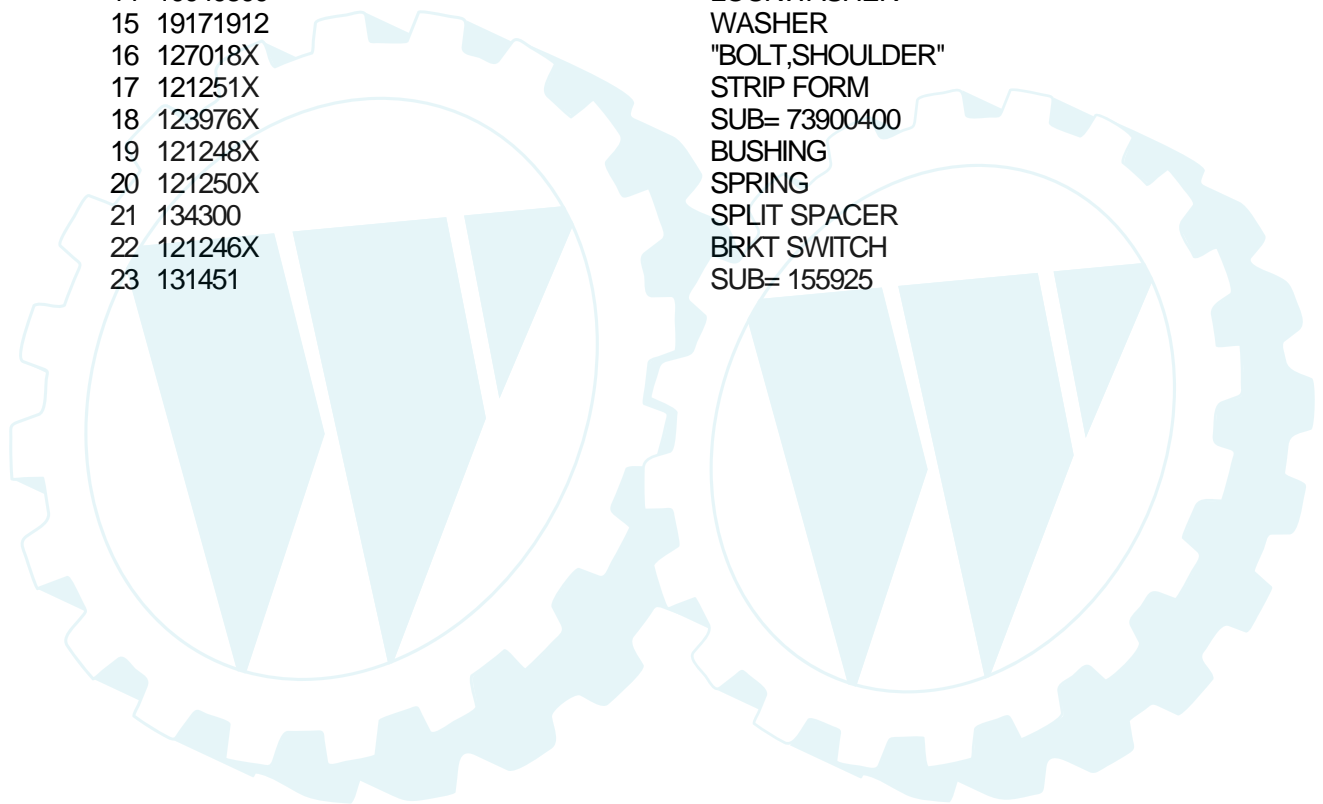
Ref #	Part Number	Qty	Description
1	126470X		"CLIP,INSULATOR"
2	122018X		BRKT CLUTCH
3	74780408		BOLT
4	73680600		SUB= 73690600
5	132552		CLUTCH LEVER AS
6	106451X		"BOLT, SHOULDER LT"
7	135110		MWR CLUT ARM ASM
8	74930624		BOLT
10	76020412		COTTER PIN
12	122027X		GRIP HANDLE
13	136658		LEVER LIFT LR
14	133939		COMP CLUTCH SPRNG
15	19131616		WASHER HYT
18	135107		TRUNNION
19	73680400		SUB= 73690400
20	74760644		BOLT
22	132561		LIFT LEVER BRKT
23	76020312		SUB= 3145
24	7672J		WASHER
25	121933X		TUBE SPACER
27	106932X		KNOB T(3/8 HOLE)
30	135039		ROD TENSION CLUTC
31	73930600		LOCKNUT
32	133435		SPRING EXT
33	62333		WASHER
34	73680500		SUB= 73690500
35	133603		VINYL CAP RED
36	72140506		BOLT

12 HP 38" TRACTOR - - MODEL NUMBER WE12R38A

SEAT

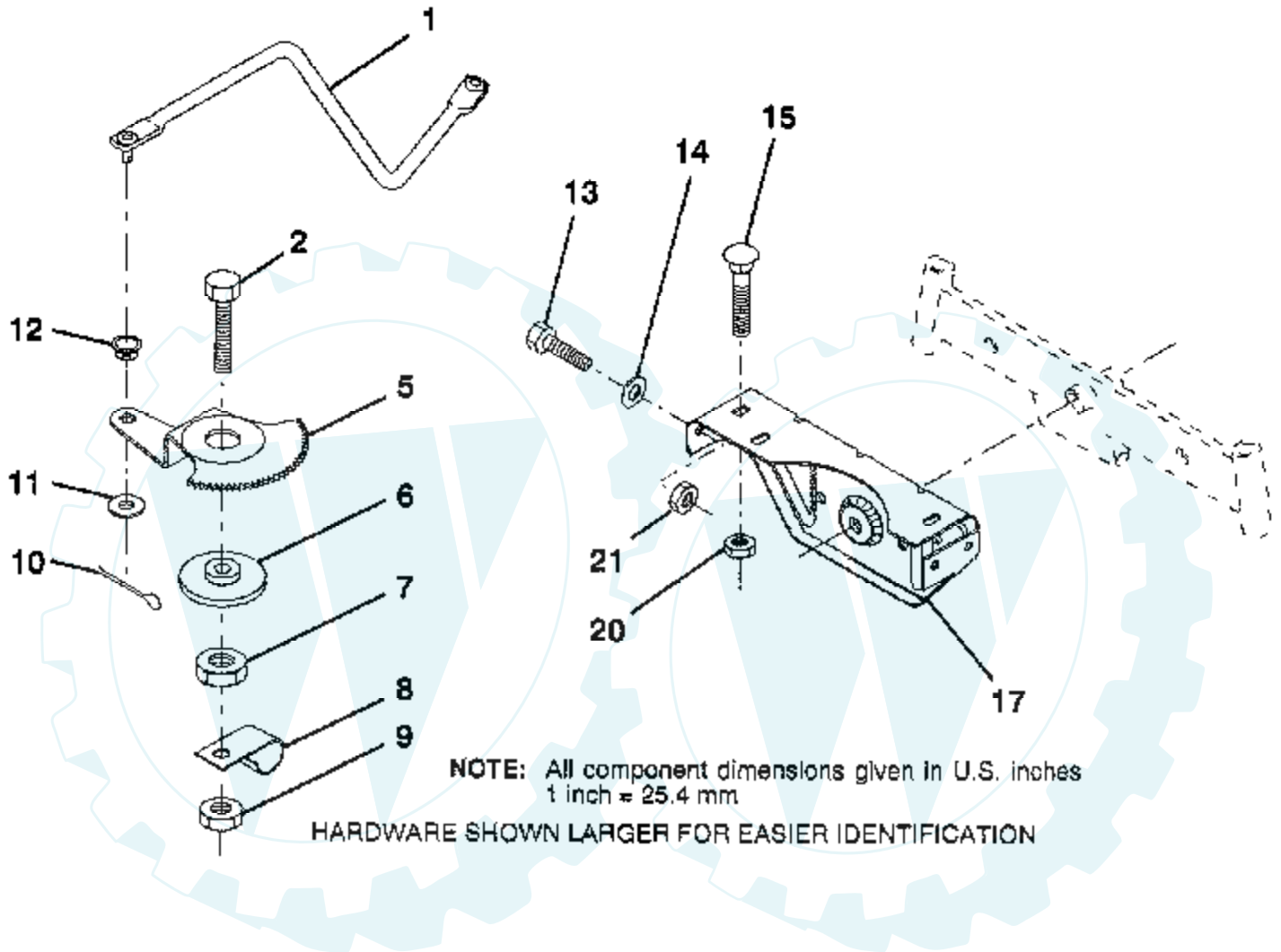


Ref #	Part Number	Qty	Description
1	72050411		SUB= 872050411
2	127431		SUB= 140119
3	74641008		SUB= 71031008
4	73680500		SUB= 73690500
5	105529X		SUB= 139888
6	4171R		CLIP T
7	73951000		"NUT,KEPS"
8	74760612		SUB= 74780612
9	126656X		SUB= 140551
10	126471X		"CLIP,INSULATOR"
11	19131210		WASHER
12	73680600		SUB= 73690600
13	74780814		BOLT
14	10040800		LOCKWASHER
15	19171912		WASHER
16	127018X		"BOLT,SHOULDER"
17	121251X		STRIP FORM
18	123976X		SUB= 73900400
19	121248X		BUSHING
20	121250X		SPRING
21	134300		SPLIT SPACER
22	121246X		BRKT SWITCH
23	131451		SUB= 155925

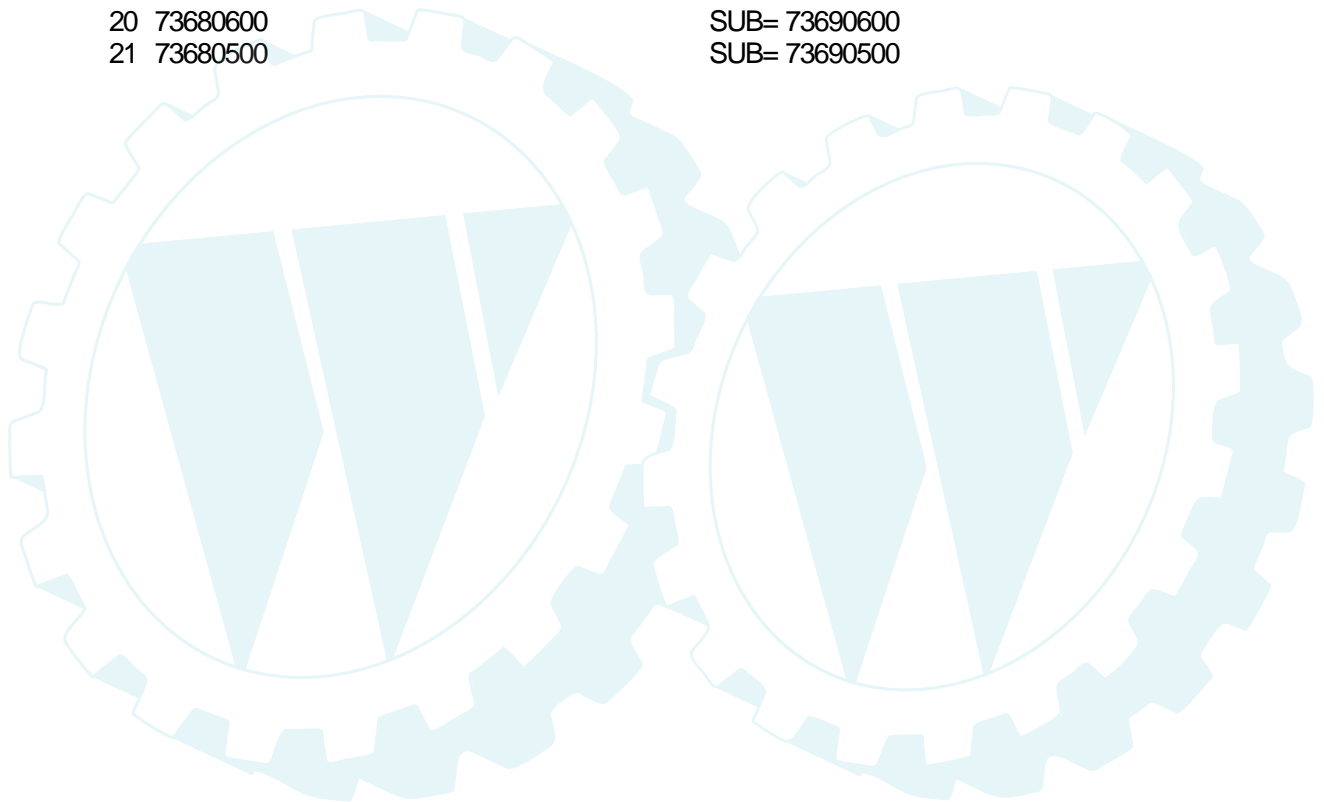


12 HP 38" TRACTOR - - MODEL NUMBER WE12R38A

SECTOR GEAR / AXLE SUPPORT

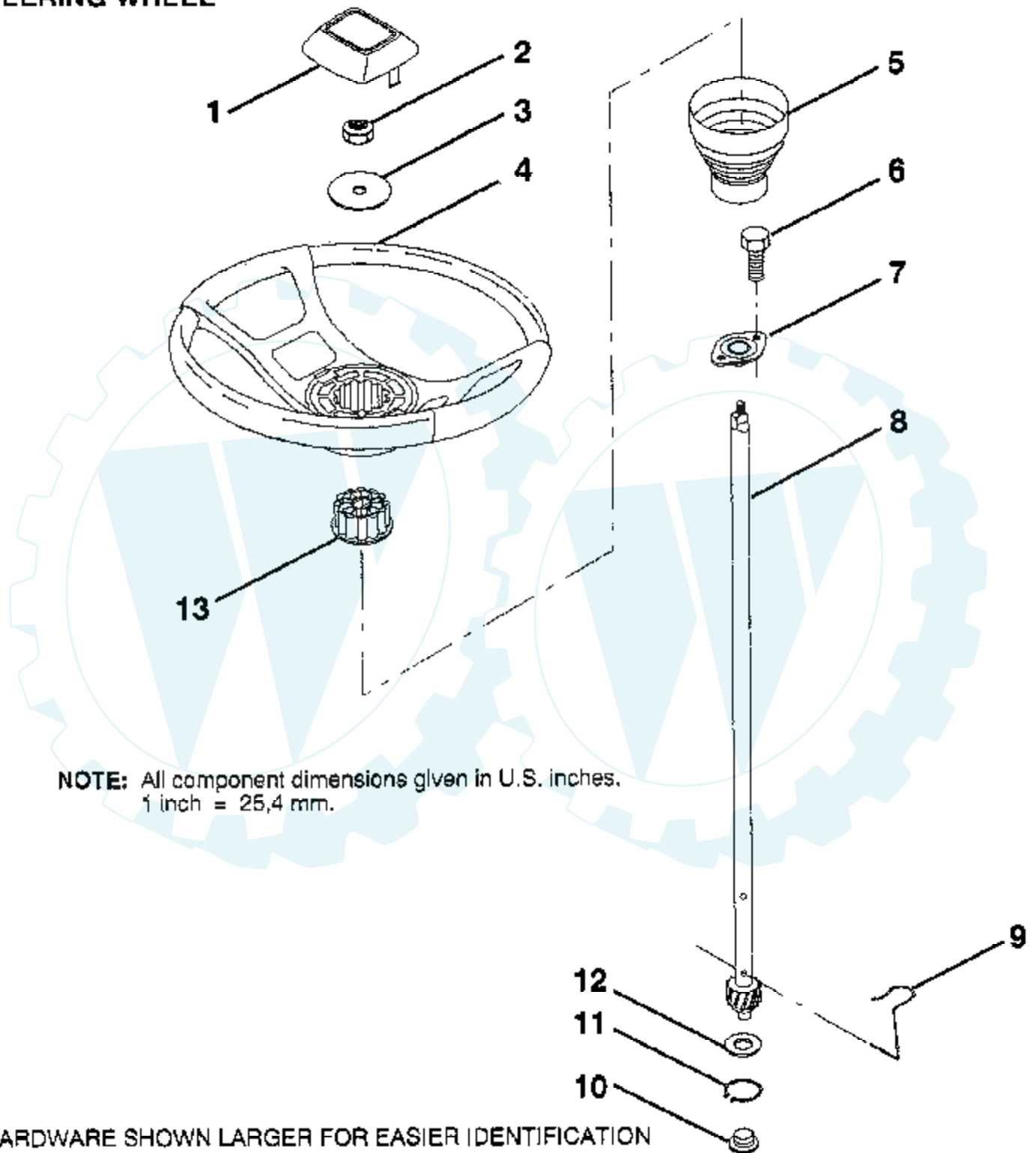


Ref #	Part Number	Qty	Description
1	132566		DRAG LINK
2	74780828		"BOLT,HEX"
5	121926X		GEAR SECTOR
6	121927X		BUSHING
7	73030800		NUT
8	126472X		CLIP INSULATOR
9	73680800		NUT LTV
10	76020412		COTTER PIN
11	19131316		WASHER
12	126847X		BUSHING.DRAGLINK
13	74760512		BOLT
14	19111416		WASHER
15	72110606		BOLT
17	137096		SUPT AXLE FRONT
20	73680600		SUB= 73690600
21	73680500		SUB= 73690500



12 HP 38" TRACTOR - - MODEL NUMBER WE12R38A

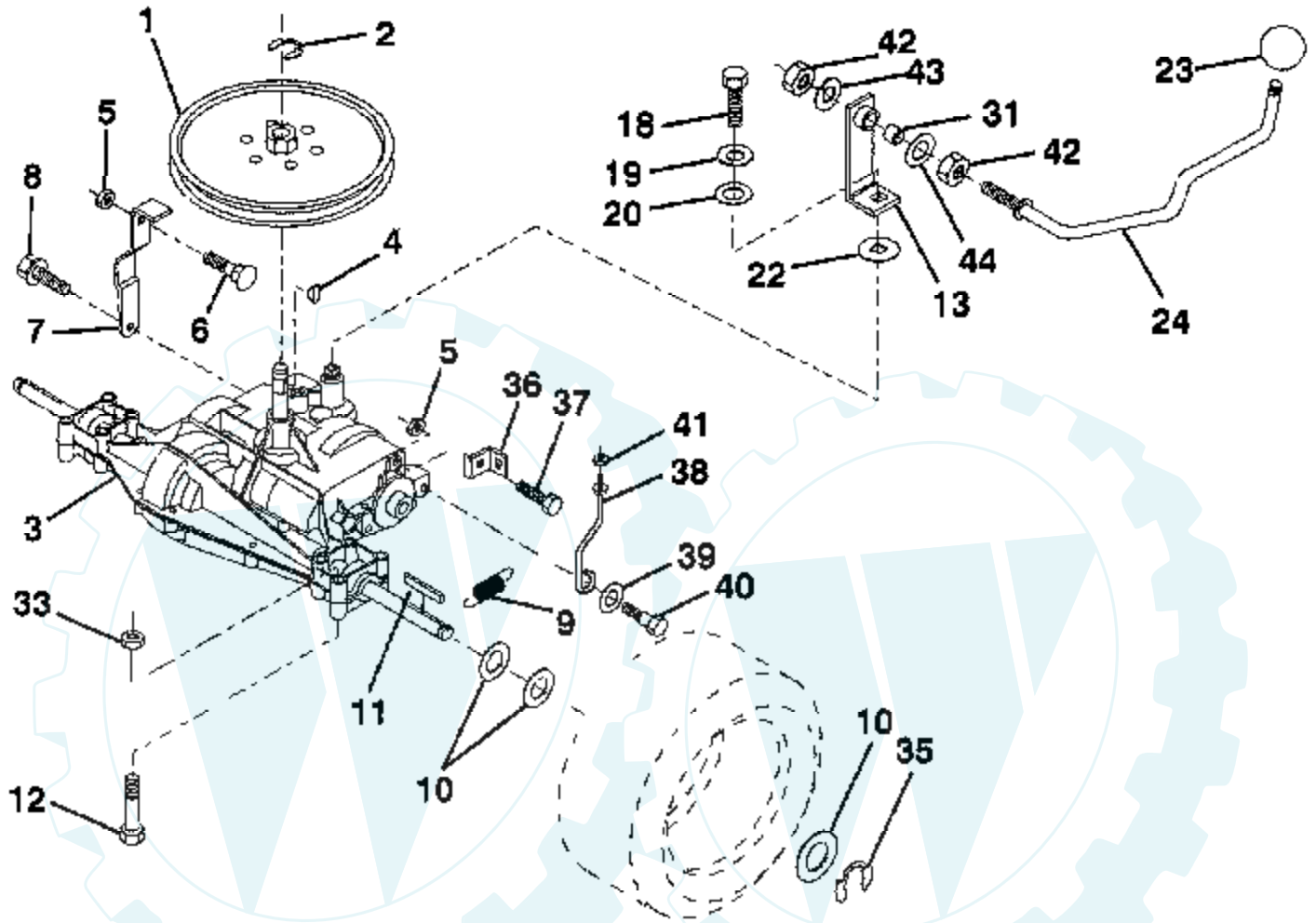
STEERING WHEEL



Ref #	Part Number	Qty	Description
1	133742		ST WHL INSERT CAP
2	7810H		GRIPCO NUT
3	19133808		WASHER T
4	133741		SUB= 150547
5	121897X		SLEEVE STEERING
6	17431008		SUB= 98000165
7	102803X		SUB= 918102803X
8	123651X		SUB= 148966
9	124210X		STEERING CLIP
10	123438X		BUSHING STEER LWR
11	12000045		RING
12	19211616		WASHER LT
13	104820X		ADAPTER-WHEEL LT



12 HP 38" TRACTOR - - MODEL NUMBER WE12R38A TRANSAXLE

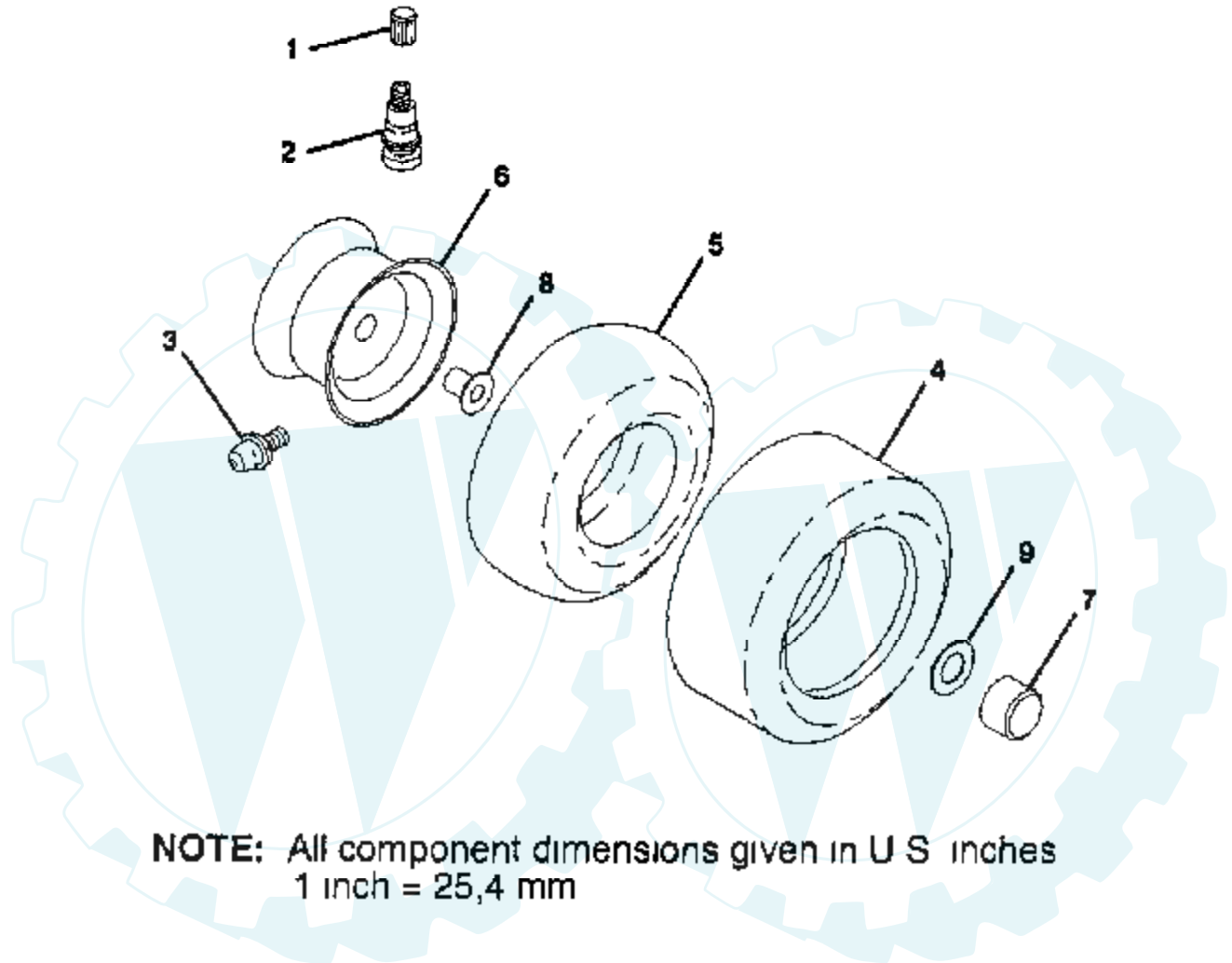


HARDWARE SHOWN LARGER FOR EASIER IDENTIFICATION

Ref #	Part Number	Qty	Description
1	123385X		PULLEY
2	12000028		SUB= 2267J
3	131944		TRANSAXLE.6SP.DAN
4	2228M		SUB= 2228M1
5	73680500		SUB= 73690500
6	72140506		BOLT
7	131939		STRAP.TORQUE.LH
8	17490512		SCREW
9	110422X		SUB= 146682
10	121749X		WASHER
11	123583X		SQUARE KEY
12	74760644		BOLT
13	137491		BRACKET.ASM.SHIFT
18	71040412		SUB= 74550412
19	10040400		LOCKWASHER
20	19091210		WASHER LT
22	105701X		WASH-SHFT PLT LT
23	106933X		KNOB T (1/2-HOLE)
24	131930		ROD.SHIFT.CNTR.LR
31	132985		SPACER
33	73680600		SUB= 73690600
35	12000001		E-RING LT
36	131935		BRACKET.BRAKE
37	74760512		BOLT
38	131937		KEEPER.BELT.RH
39	19171612		WASHER GT
40	132827		BOLT SHD 5/16-18
41	73800500		NUT
42	73220700		NUT
43	10040700		LOCKWASHER
44	19151612		WASHER

12 HP 38" TRACTOR - - MODEL NUMBER WE12R38A

WHEELS & TIRES



NOTE: All component dimensions given in U S inches
1 inch = 25,4 mm

Ref #	Part Number	Qty	Description
1	59192		VALVE CAP
2	65139		VALVE STEM LT
3	278H		FITTING LT
4	137422		SUB= 122073X
	13703		TIRE, REAR
5	59904		TUBE.5.3/4.5/6
	8134H		TUBE.16X6.5/7.5-8
6	139529X473		RIM, ASSEMBLY, FRONT
	139159X473		SUB= 139519X473
7	104757X		HUB CAP
8	9040H		"FLANGE, BEARING"
9	121748X		WASHER

