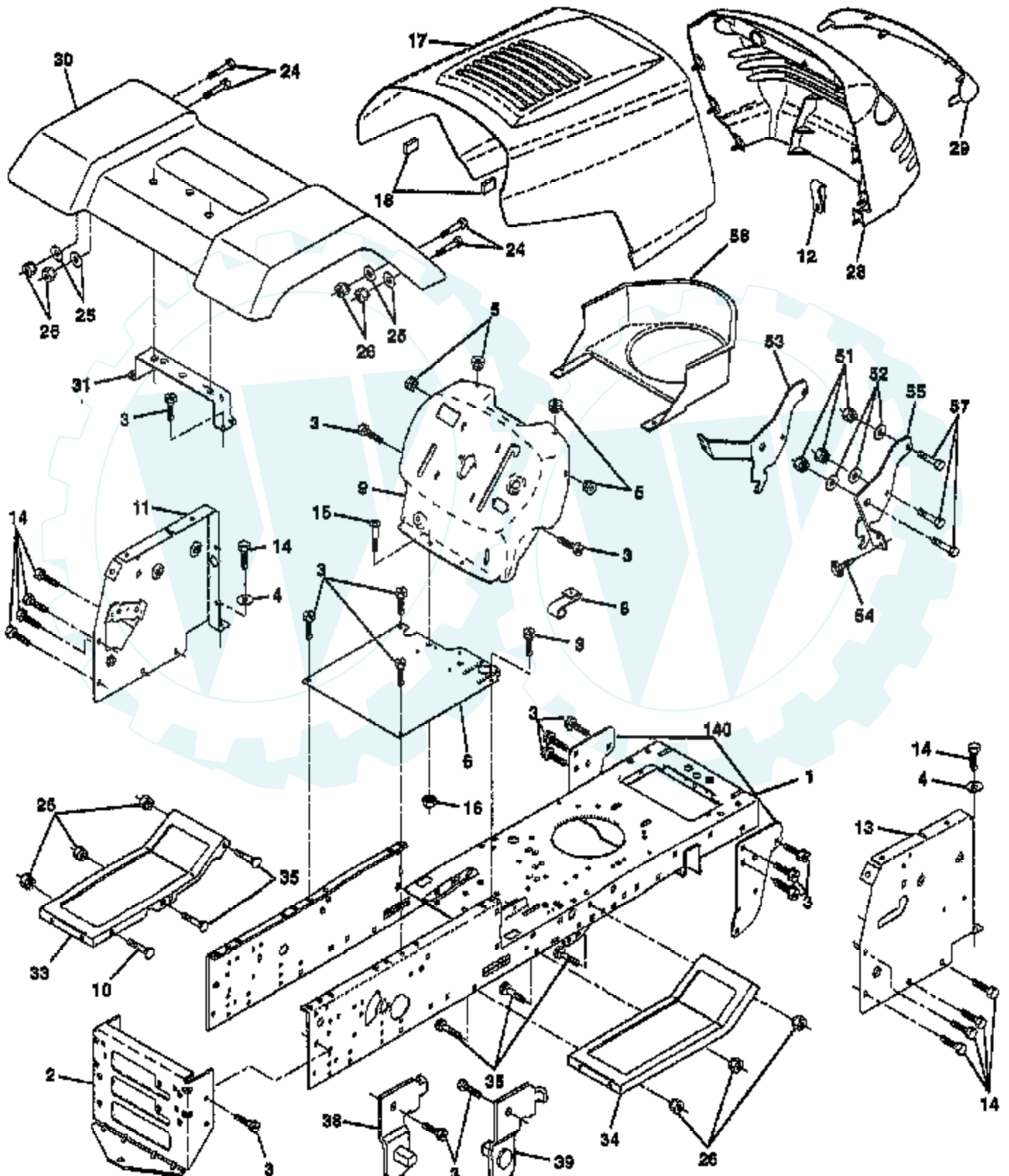


TRACTOR - - MODEL NUMBER WE12538B

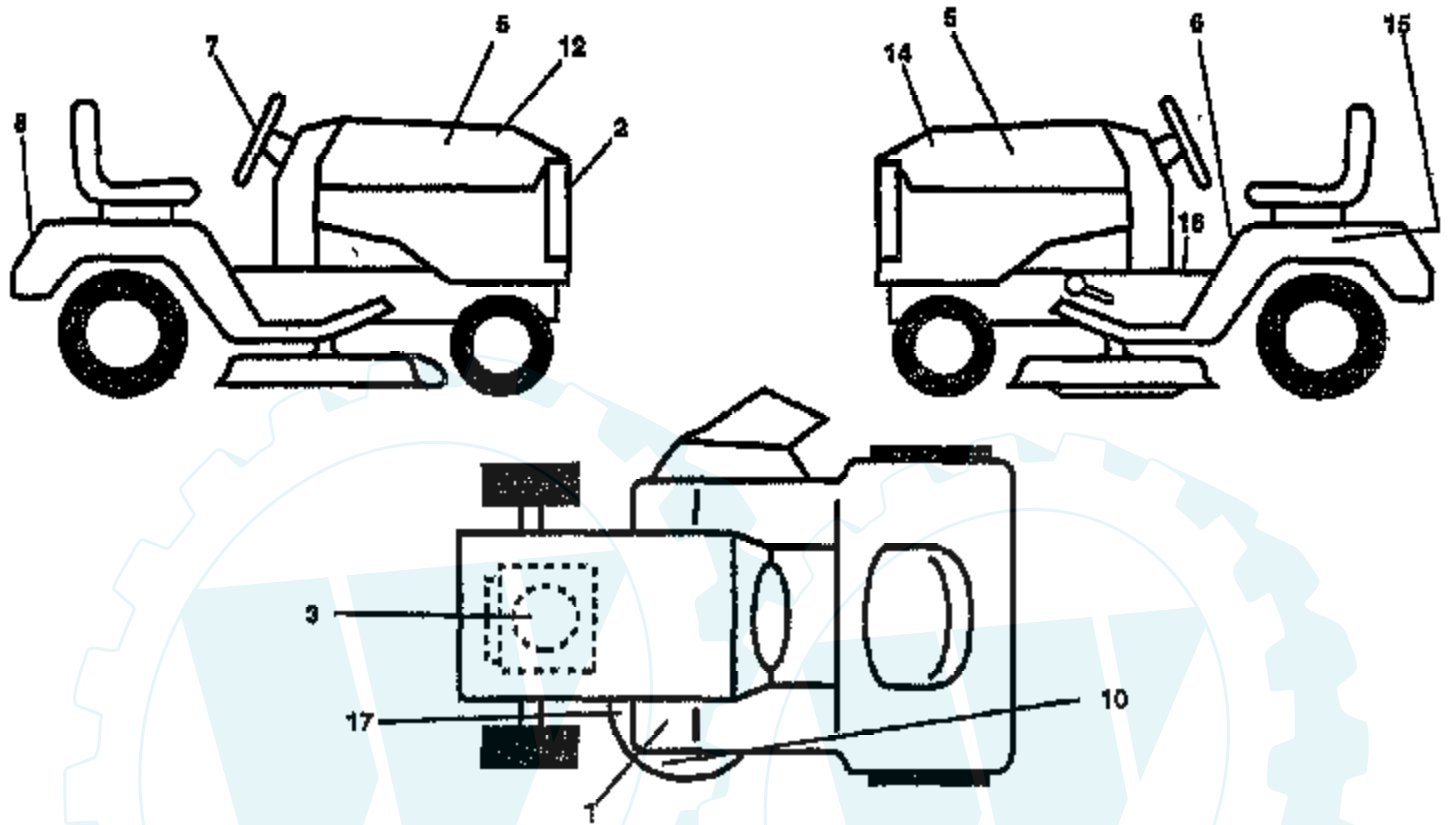
CHASSIS



Ref #	Part Number	Qty	Description
1	155051		CHASSIS ASM
2	140356		SUB= 145009
3	17490612		SCREW
4	19131216		WASHER
5	155272		BUMPER-HOOD/DASH
6	155924X011		SADDLE-SILKSCREEN
8	155138		CLIP.RETAINER
9	147627X011		DASH.SILKSCREENED
10	72140608		SUB= 72110608
11	155927		"PANEL-DASH,LH"
12	145660		CLIP.TINNERMAN
13	155934X010		SUB= 169117X010
14	17490608		SCREW LT
15	74180512		SCREW
16	73510500		NUT
17	139394X550		SUB= 159639X550
18	126938X		SUB= 532126938
24	74780616		BOLT
25	19131312		WASHER
26	73800600		NUT
28	157373		GRILLE-MS428
29	140273		LENS GRILLE
30	109872X550		FENDER.PNT.
31	136619		BRKT FENDER
33	105476X550		FOOTREST.LH.PERF.
34	105475X550		FOOTREST.RH.PERF.
35	72110606		BOLT
38	139886		BRACKET ASM LH
39	139887		BRACKET ASM RH
51	73800400		NUT
52	19091416		WASHER
53	144697		BRACKET.GRILLE.LH
54	17030814		SUB= 91817030814
55	144696		BRACKET.GRILLE.RH
57	74780512		BOLT
58	150127		AIR DUCT
140	158418		BRKT SUSPENSION
	5479J		PLUG BUTTON T

TRACTOR - - MODEL NUMBER WE12538B

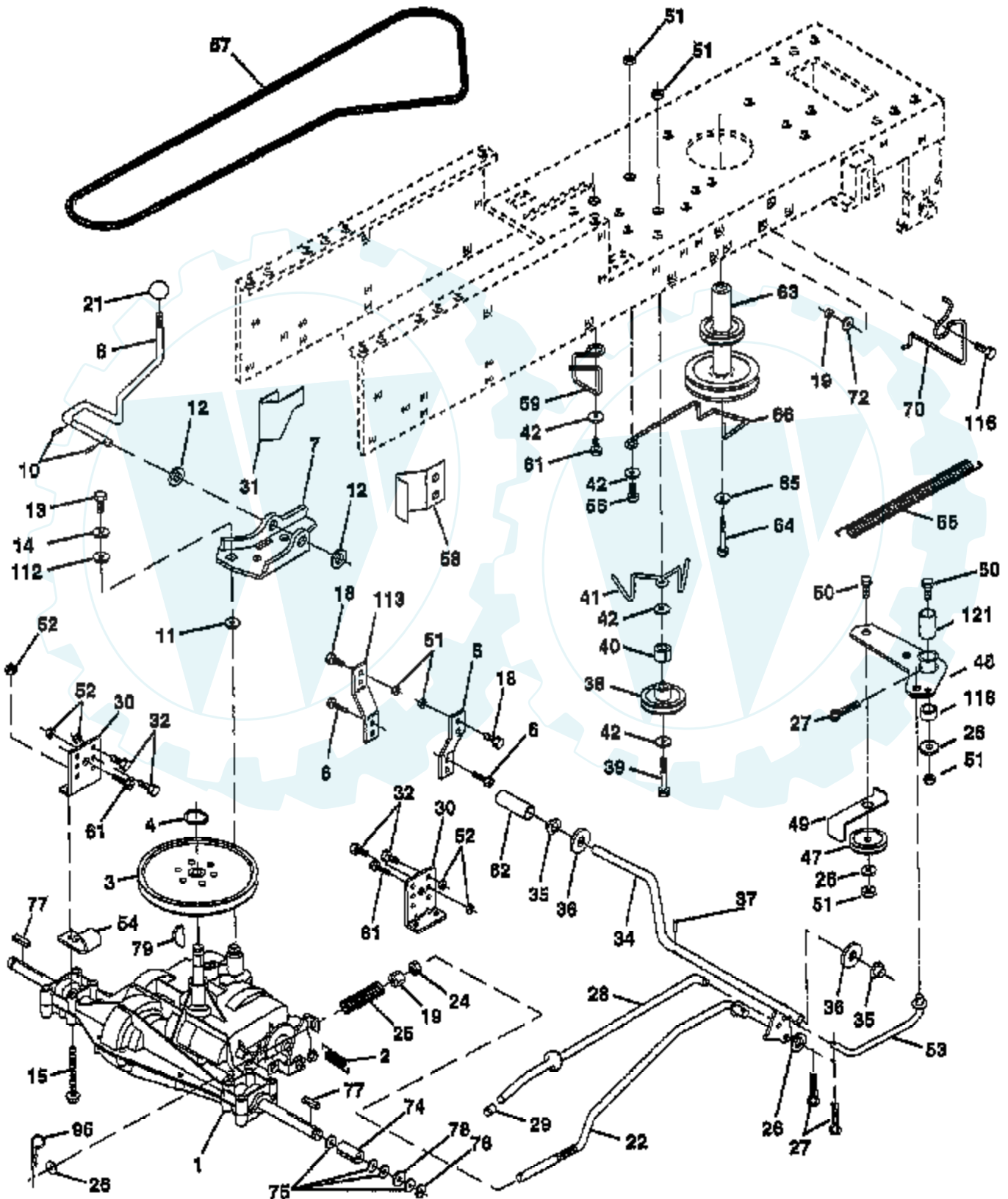
SCHEMATIC



Ref #	Part Number	Qty	Description
1	4900J		DECAL T
2	159020		"DECAL GRILLE,LENS"
3	272632		DECAL, HP ENGINE
4	129823		NLA
5	159025		"DECAL.PANEL,SIDE"
6	157002		"DECAL DANGER,FEND"
7	156604		"DECAL INS,STRG WH"
8	156602		DECAL-FENDER
9	127900		DECAL CHASSIS SPEED DECK
10	158894		DECAL DECK
11	145494		DECAL.DANGER.CUTF
12	156609		"DECAL HOOD,RH"
14	156610		DECAL HOOD LH
15	145005		DECAL.BATRY.3-3908
16	156867		"DECAL DASH,OPER."
17	136832		DECAL
18	145437		DECAL.EURO.ST.CE.
19	125690X		DECAL
	138311		DECAL HANDLE LIFT
	158122		MANUAL.O.CT12T38A
	156036		MANUAL.P.WE12538B
	LSB42		SNOW THROWER
	LBD48		SNOW BLADE
	LC05		WHEEL WTS.
	CH11		TIRE CHAINS
	C38		GRASS CATCHER
	MK380		KIT.MULCHER

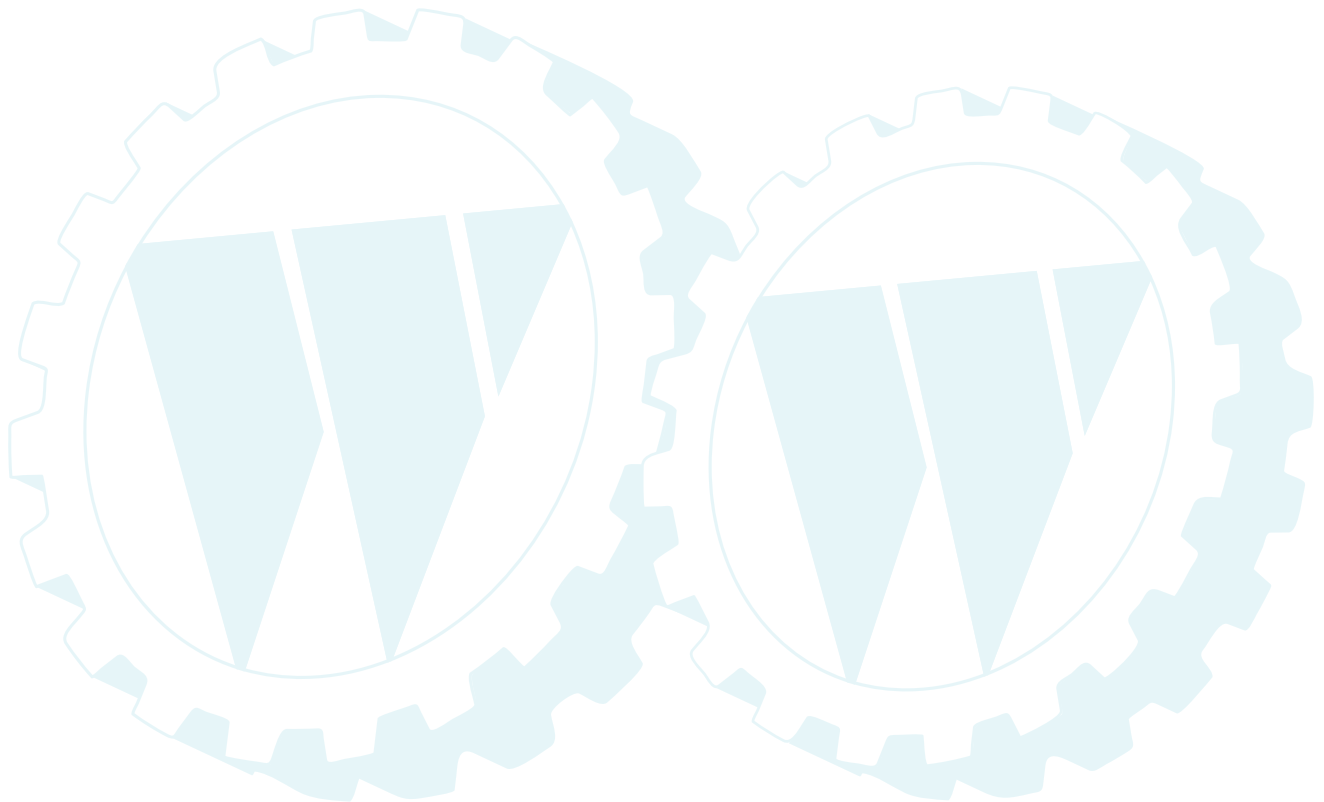
TRACTOR -- MODEL NUMBER WE12538B

DRIVE



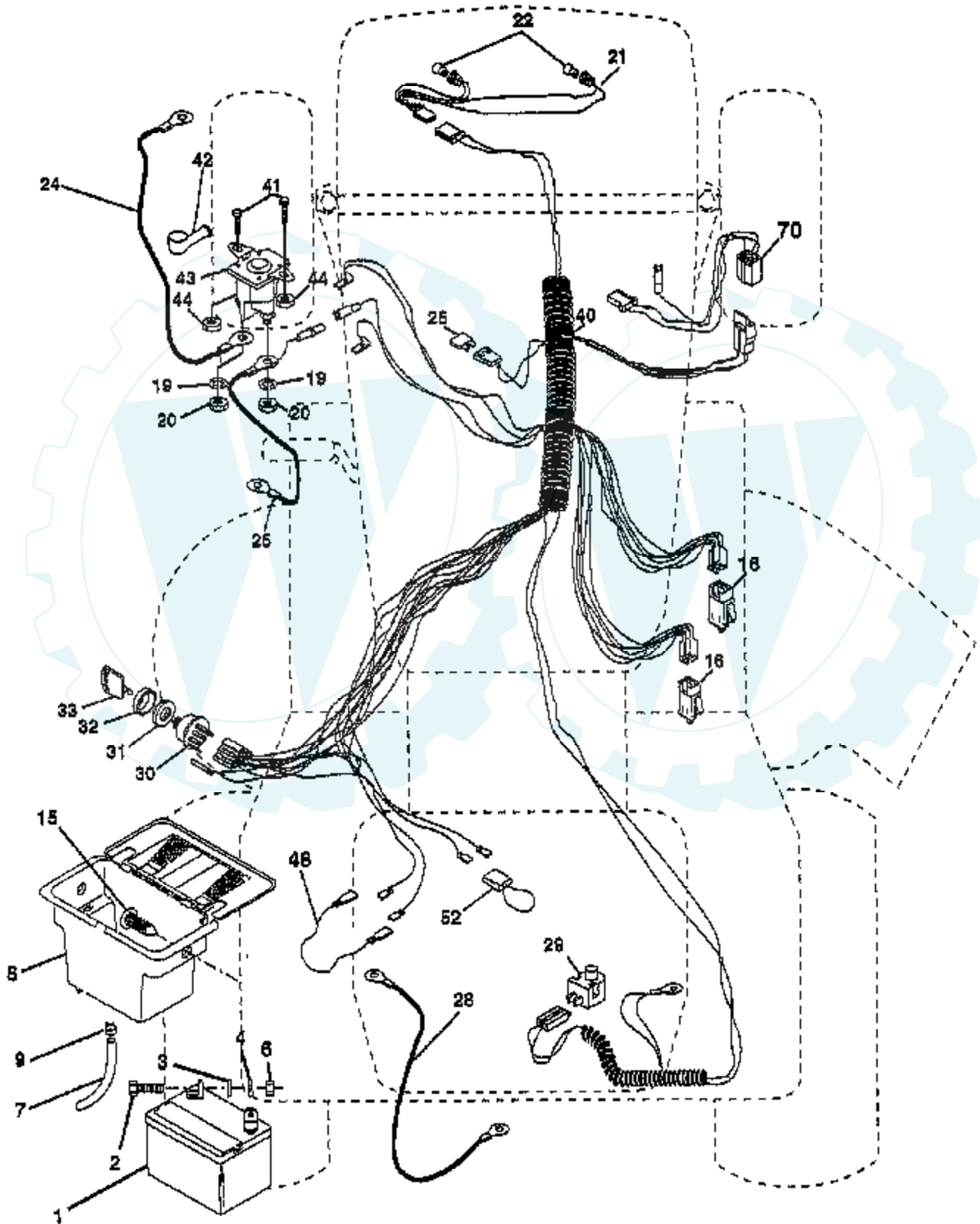
Ref #	Part Number	Qty	Description
1	930-054		TRANSAXLE PEERLESS
2	146682		SPRING.BRAKE.RETU
3	123666X		PULLEY TRANS
4	12000028		SUB= 2267J
5	121520X		STRAP TORQUE
6	17490512		SCREW
7	130802		SUB= 162240
8	131679		SHIFT ROD
10	76020416		PIN COTTER 1/8
11	105701X		WASH-SHFT PLT LT
12	19151216		WASHER
13	74550412		BOLT.1/4-28.W/PAT
14	10040400		LOCKWASHER
15	74490544		BOLT.HX.FLG.5/16
18	74780616		BOLT
19	73800600		NUT
21	106933X		KNOB T (1/2-HOLE)
22	130804		BRAKE ROD
24	73350600		NUT
25	106888X		SPRING ROD LT
26	19131316		WASHER
27	76020412		COTTER PIN
28	145204		ROD.BRAKE.PARK.LT
29	71673		PLUNGER CAP T
30	130807		TRANSAXLE MTG BKT
31	127275X		"KEEPER,BELT LH T"
32	74760512		BOLT
34	155071		SHAFT ASM-PEDAL F
35	120183X		NYLON BEARING
36	19211616		WASHER LT
37	1572H		SUB= 2882J
38	123674X		PULLEY.IDLER.FLAT
39	74760644		BOLT
40	4470J		SPACER T
41	154777		SUB= 165692
42	19131312		WASHER
47	127783		SUB= 139245
48	154604		BELLCRANK ASM
49	123205X		RETAIN BELT
50	74760624		SUB= 74930624
51	73680600		SUB= 73690600
52	73680500		SUB= 73690500
53	105710X		"LINK, CLUTCH T"
54	2751R		CLIP T
55	105709X		"SPRING, RETURN LT"
56	74760620		SUB= 74780620
57	130801		SUB= 138255
58	127274X		"KEEPER,BELT RH T"
59	140312		KEEPER BELT CNTSP
61	17490612		SCREW
62	8883R		PEDAL COVER T
63	140186		PULLEY.ENGINE
64	71170764		BOLT
65	10040700		LOCKWASHER
66	154778		KEEPER-BELT
70	134683		KEEPER BELT ENG
72	19132012		WASHER
74	137057		SPACER AXLE

Ref #	Part Number	Qty	Description
75	121749X		WASHER
76	12000001		E-RING LT
77	123583X		SQUARE KEY
78	121748X		WASHER
79	2228M		SUB= 2228M1
96	4497H		RETAINER M
112	19091210		WASHER LT
113	127285X		"STRAP,TORQUE"
116	72110610		BOLT RDHD 3/8-16
118	154774		SPACER-BELLCRANK
121	154419		NYLINER-CLUTCHING



TRACTOR - - MODEL NUMBER WE12538B

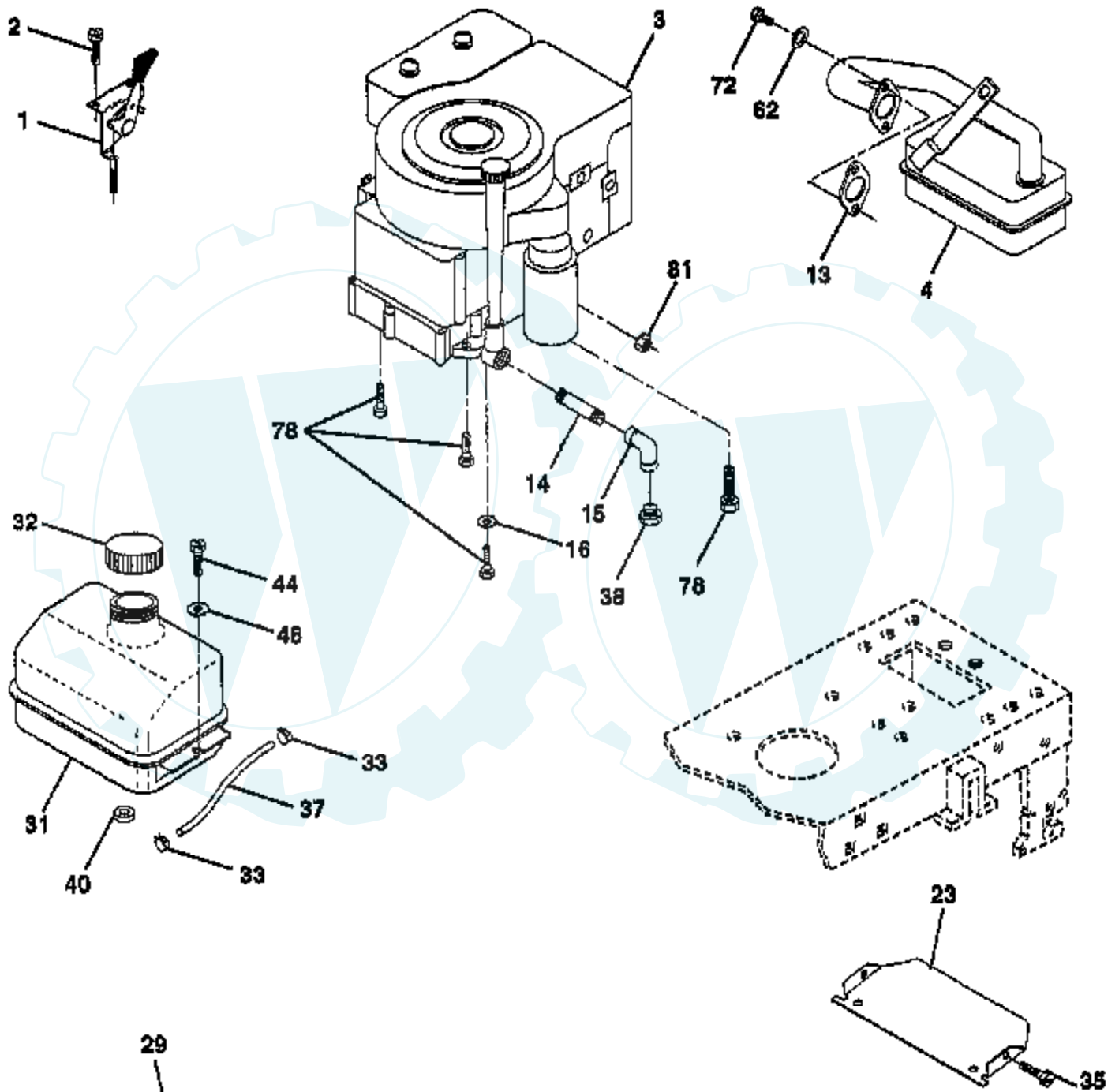
ELECTRICAL



Ref #	Part Number	Qty	Description
1	144925		SUB= 123899X
2	74760412		BOLT LT
3	19091016		WASHER
4	10040400		LOCKWASHER
6	73220400		SUB= 50675
7	109238X		TUBE T
8	156417		"CASE,BATTERY.MECH"
9	109596X		HOSE CLAMP T
15	147688		FASTNER.SNAP-IN
16	153664		SWITCH INTERLOCK
19	10090400		SUB= 10040400
20	73350400		NUT
21	136850		"HARNES,LIGHT SOC"
22	4152J		HEADLAMP BULB
24	4799J		"CABLE T, BATTERY"
25	146147		CABLE.BTRY.6GA.RD
26	108824X		FUSE HYT
28	4207J		CABLE T
29	121305X		SWITCH SEAT
30	140301		SWITCH IGN 4POS
31	124211X		NUT IGNITION
32	141226		COVER KEY SWITCH
33	122147X		KEY
40	156442		HARNES-IGNITION
41	71110408		BOLT HXHD FIN
42	131563		SUB= 154336
43	145673		SUB= 146154
44	73640400		NUT HXKEP 1/4X20
48	140844		ADAPTER AMMETER
52	141940		PROTECTION LOOP
70	140413		HARNES ENG DUAL

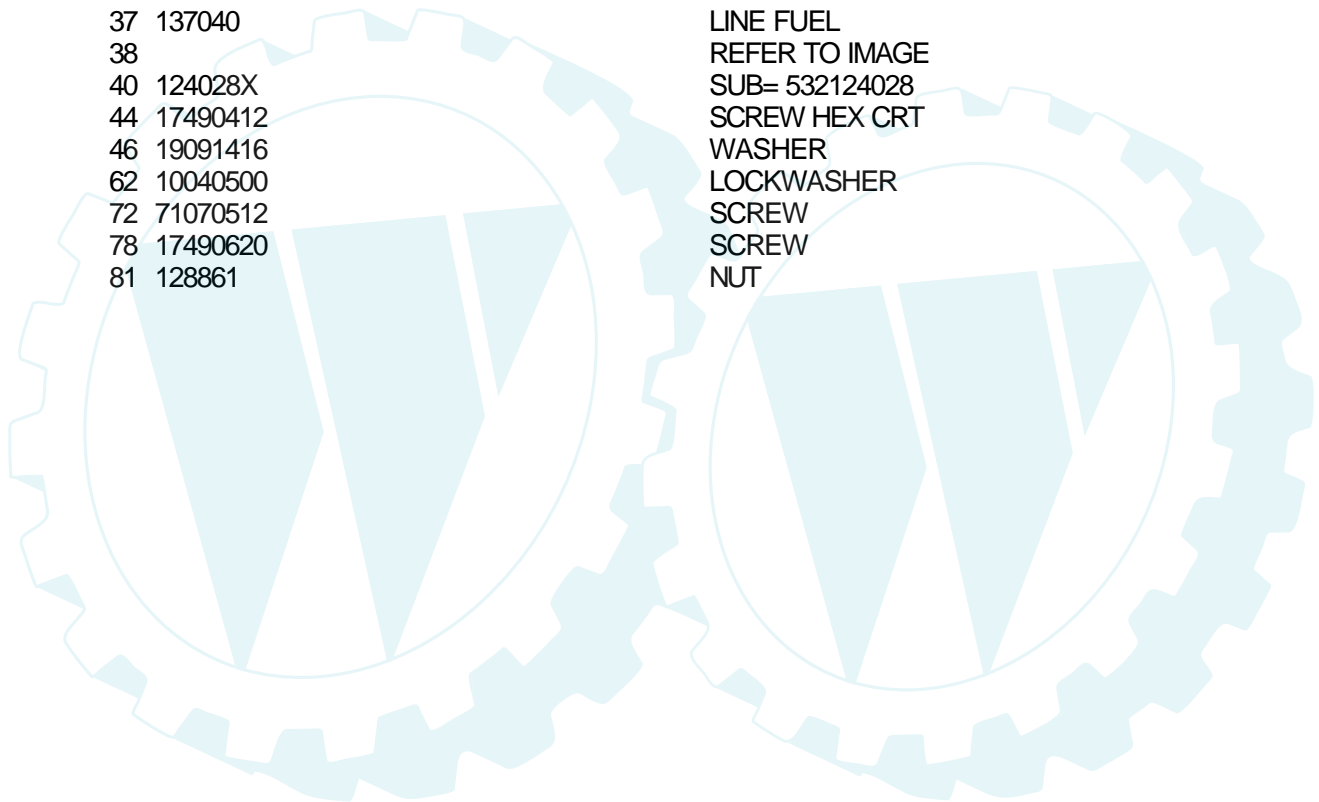
TRACTOR - - MODEL NUMBER WE12538B

ENGINE



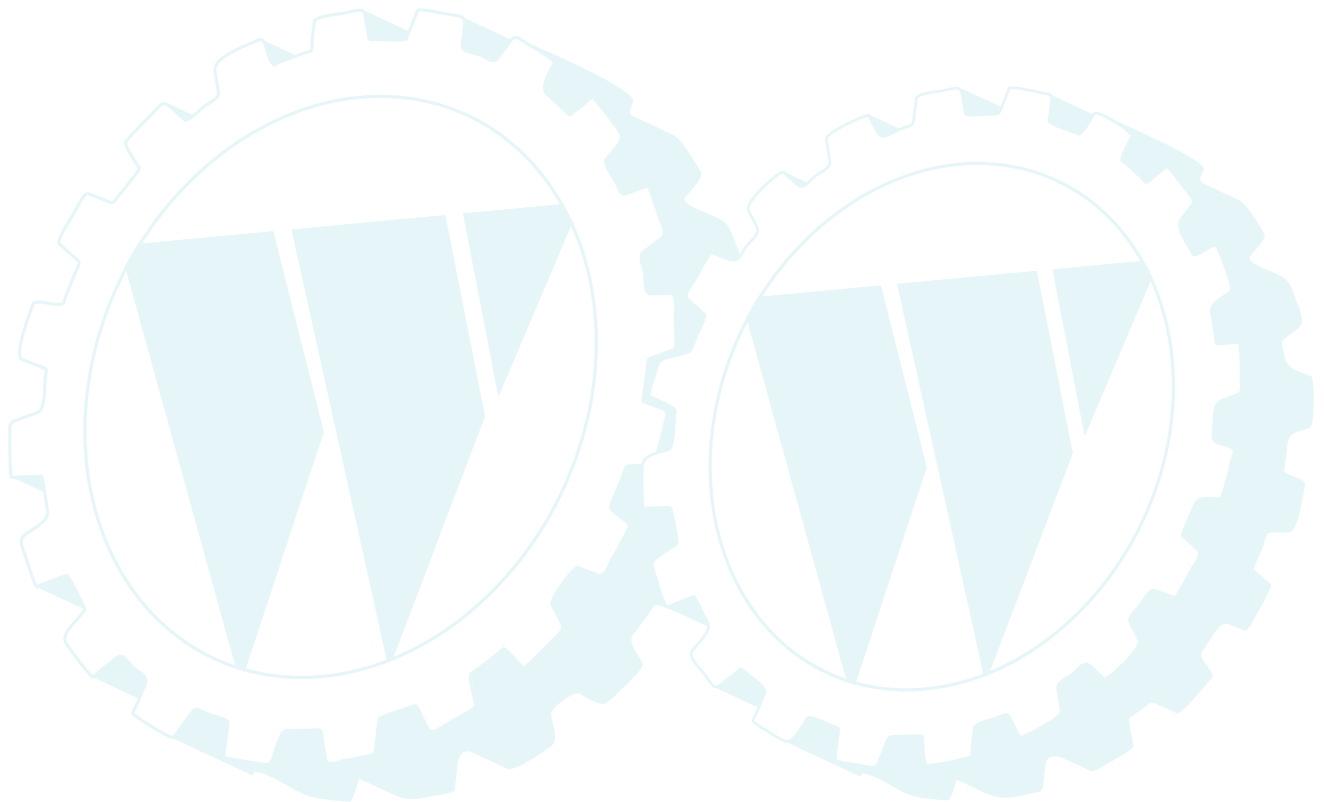
OPTIONAL EQUIPMENT
Spark Arrester

Ref #	Part Number	Qty	Description
1	140310		CONTROL THROTTLE
2	17720410		SCREW LT
3	289707		ENGINE B&S
4	137348		MUFFLER
13	272293		GASKET ENG 1 313 LD TIN PLATED
14	13280324		PIPE NIPPLE
15	13200300		ELBOW
16	11050600		LOCKWASHER
23	156123		SHIELD-HEAT
29	137180		SUB= 532137180
31	109202X		TANK.FUEL.LT.
32	140527		CAP ASM FUEL
33	123487X		HOSE CLAMP
35	17490512		SCREW
37	137040		LINE FUEL
38			REFER TO IMAGE
40	124028X		SUB= 532124028
44	17490412		SCREW HEX CRT
46	19091416		WASHER
62	10040500		LOCKWASHER
72	71070512		SCREW
78	17490620		SCREW
81	128861		NUT



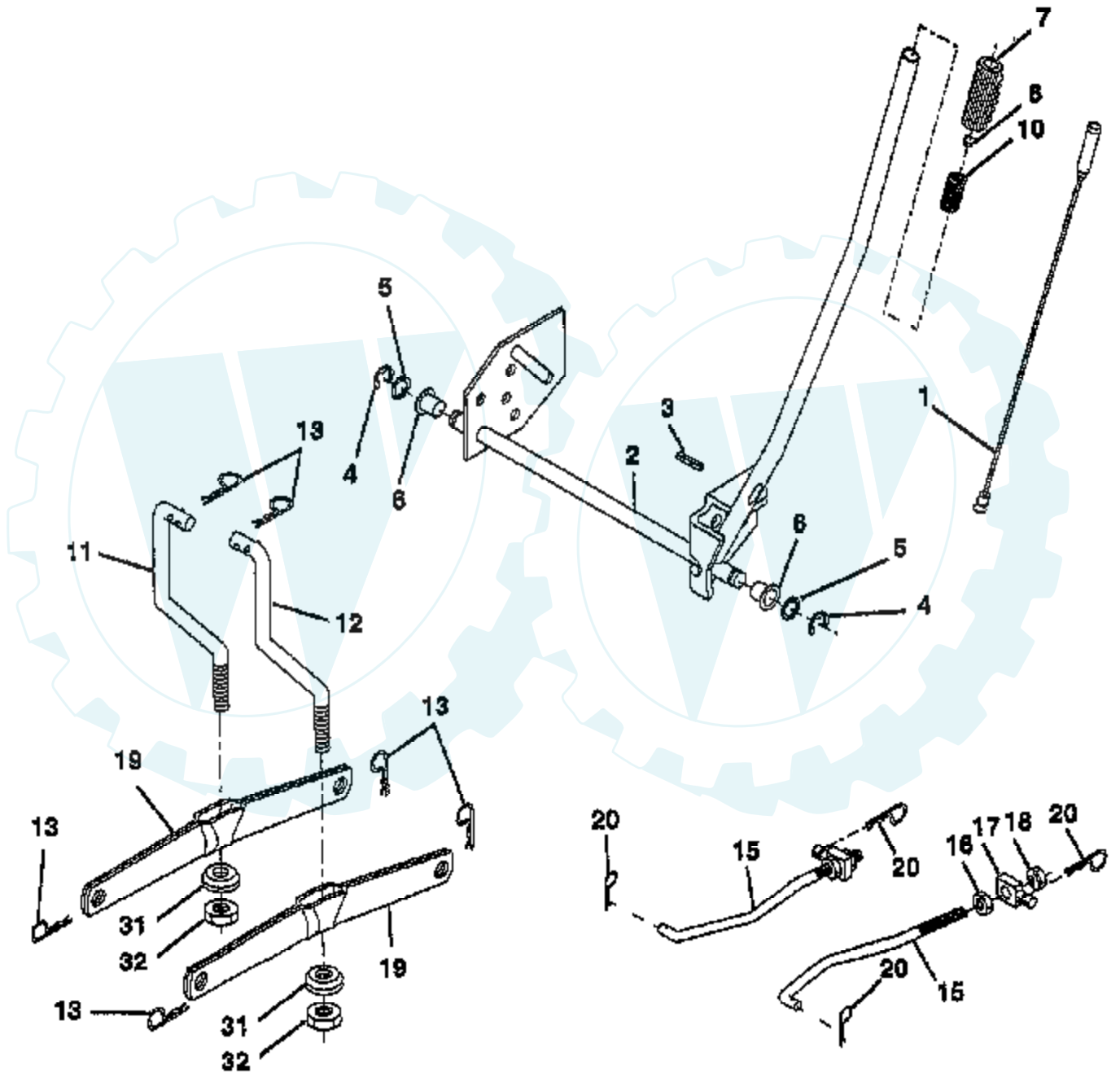
Ref #	Part Number	Qty	Description
1	142829		SUB= 145775
2	72140506		BOLT
3	138017		BRKT ASM SWAY BAR
4	138440		BRKT DECK SW BAR
5	4939M		SUB= 85902
6	130832		SUB= 130833
8	850857		BLADE BOLT
9	10030600		SUB= 10040600
10	140296		WASHER.HARD.BLADE
11	138497		"BLADE.38"" HIPERF"
12	129895		BEARING.BALL
13	137645		SUB= 137646
14	128774		HSG ASM MANDREL
15	110485X		BEARING
16	140329		STRIPPER RND MWR
19	132827		BOLT SHD 5/16-18
21	73680500		SUB= 73690500
23	137607		BRKT DEFLECTOR
24	105304X		CAP-SLEEVE LT
25	123713X		SPRING TORSION
26	110452X		NUT PUSH M
27	106736X		DEFLECTOR-SHLD T
28	19111016		WASHER
29	106735X		ROD-HINGE T
30	138776		SUB= 157722
31	129963		WASHER
32	153532		PULLEY.MANDREL.38
33	137226		NLA
36	131494		FLAT IDLER PULLEY
40	73680600		SUB= 73690600
41	133551		PIVOT ROD
43	133504		CLUTCH ROD SECOND
45	4497H		RETAINER M
53	130840		BRAKE ASM
54	133943		HARDENED WASHER
55	133840		IDLER ARM ASSY
56	122052X		SPACER RETAINER
67	106932X		KNOB T(3/8 HOLE)
68	144200		BELT.V.T-PATH
69	76020312		SUB= 3145
71	142427		ROD CLUTCH 38/42
72	131870		RETURN SPRING
73	127847		CLUTCH ARM SECOND
74	121748X		WASHER
75	12000029		RING
76	128903		SHOULDER BOLT
77	127845		SPRING KEEPER
78	154809		LEVER ASM-CLUTCH
79	127498		BUSHING
80	153701		SPRING.CLUTCH.MWR
81	73350600		NUT
82	142028		TRUNION ADJ
86	7631J		RUNNER-LH M
87	128772		RUNNER RH
88	19111216		WASHER M
89	19131612		WASHER GT
92	73800600		NUT
107	133502		RETAINER SPACER

Ref #	Part Number	Qty	Description
108	133503		IDLER ARM STIFF
109	74760640		BOLT
110	142587		UPSTOP DECK FT 38
113	17490512		SCREW
122	131289		BRAKE ROD LH
123	131288		BRAKE ROD RH
124	72110614		BOLT
128	153390		WASHER.FELT.
	145758		DECK.SERV.38.HLMC
	130794		MANDREL ASM

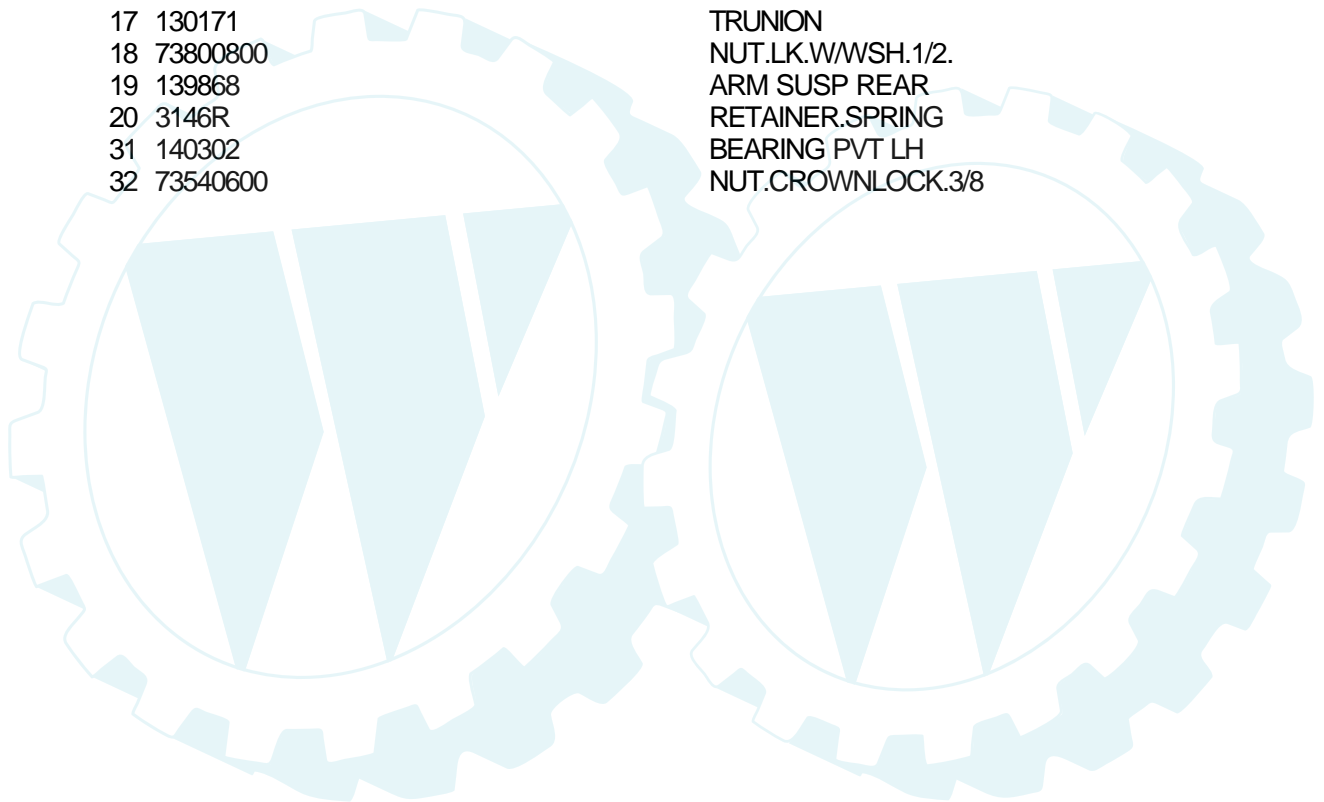


TRACTOR - - MODEL NUMBER WE12538B

MOWER LIFT

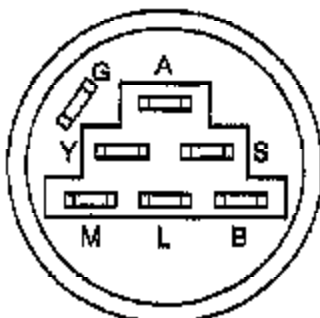
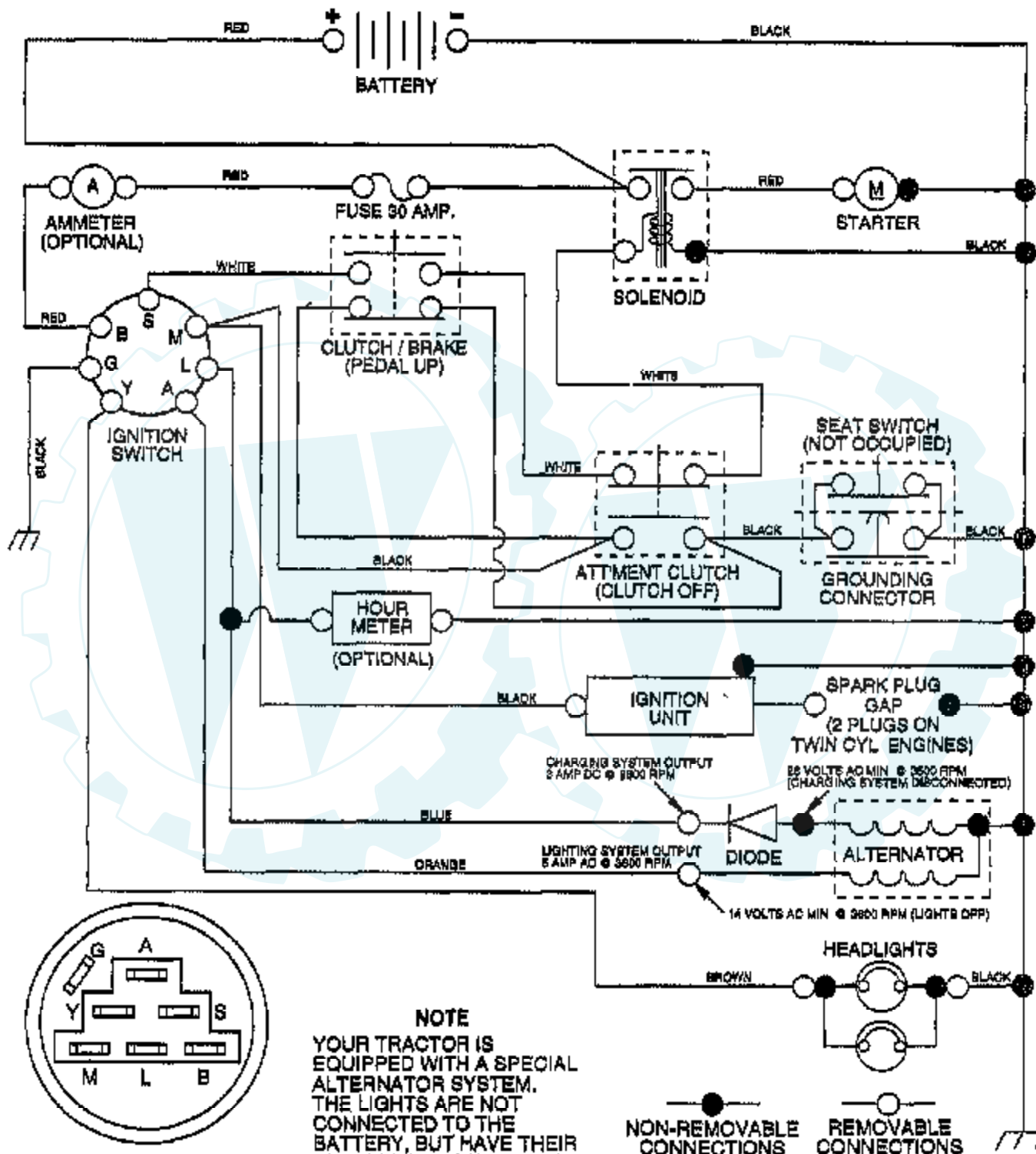


Ref #	Part Number	Qty	Description
1	136973		WIRE ASM
2	145117		SHAFT.LIFT.ASM.RH
3	105767X		PIN-GROOVE LT
4	12000002		SUB= 2225J
5	19211621		WASHER
6	120183X		NYLON BEARING
7	109413X		GRIP
8	124526X		SUB= 125925X
10	122512X		SUB= 532122512
11	139865		SUB= 918139865
12	139866		SUB= 151140
13	4939M		SUB= 85902
15	127218		LINK.FRONT
16	73350800		NUT
17	130171		TRUNION
18	73800800		NUT.LK.W/WSH.1/2.
19	139868		ARM SUSP REAR
20	3146R		RETAINER.SPRING
31	140302		BEARING PVT LH
32	73540600		NUT.CROWNLOCK.3/8



TRACTOR -- MODEL NUMBER WE12538B

DECALS



IGNITION SWITCH

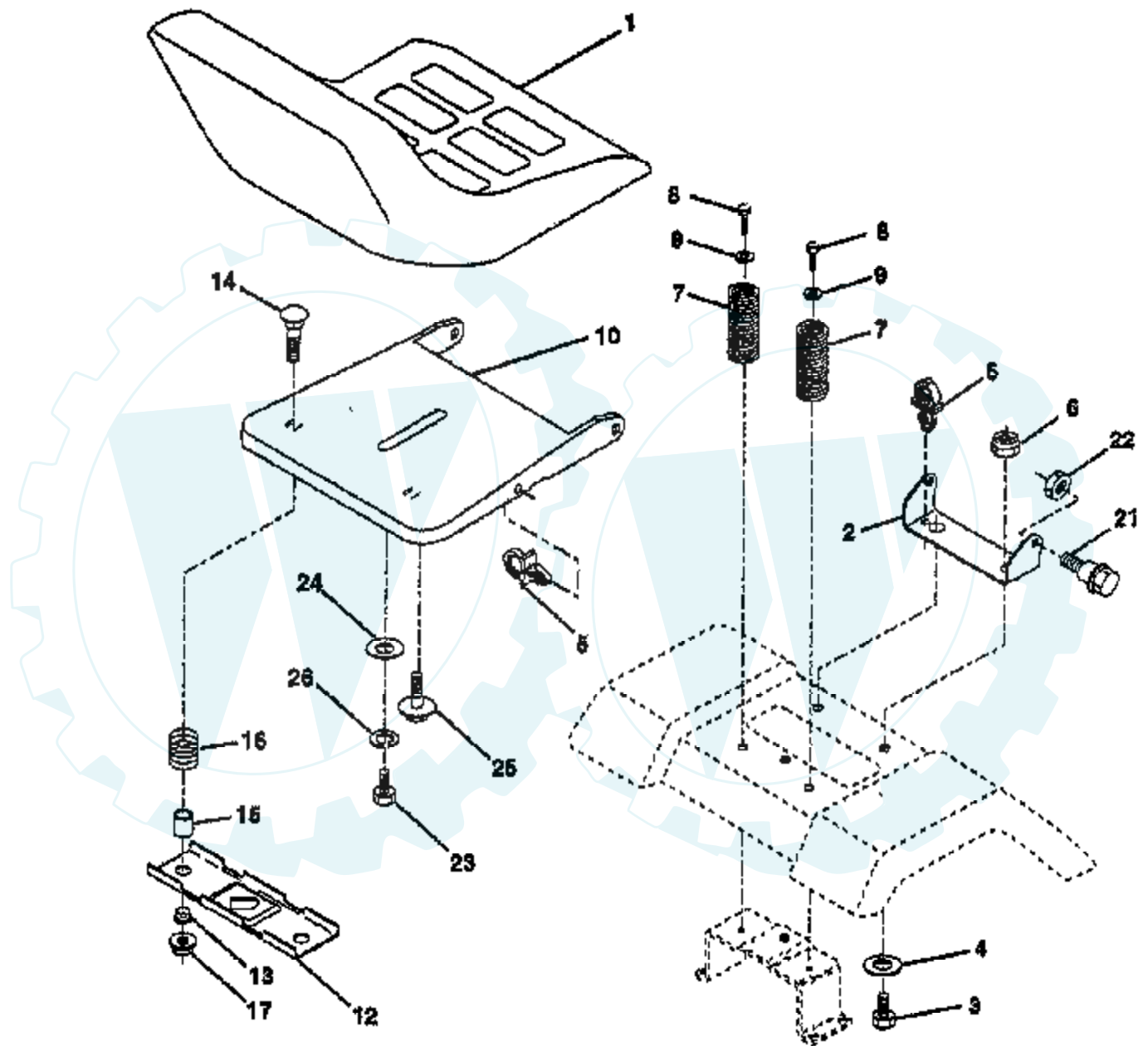
POSITION	CIRCUIT	"MAKE"
OFF	G + M + L	NONE
RUN/LIGHT	B + L	A + Y
RUN	B + L	NONE
START	B + L + G	NONE

NOTE
YOUR TRACTOR IS EQUIPPED WITH A SPECIAL ALTERNATOR SYSTEM. THE LIGHTS ARE NOT CONNECTED TO THE BATTERY, BUT HAVE THEIR OWN ELECTRICAL SOURCE. BECAUSE OF THIS, THE BRIGHTNESS OF THE LIGHTS WILL CHANGE WITH ENGINE SPEED. AT IDLE THE LIGHTS WILL DIM. AS THE ENGINE IS SPEEDED UP, THE LIGHTS WILL BECOME THEIR BRIGHTEST.

WIRING INSULATED CLIPS
NOTE: IF WIRING INSULATED CLIPS WERE REMOVED FOR SERVICING OF UNIT, THEY SHOULD BE REPLACED TO PROPERLY SECURE YOUR WIRING.

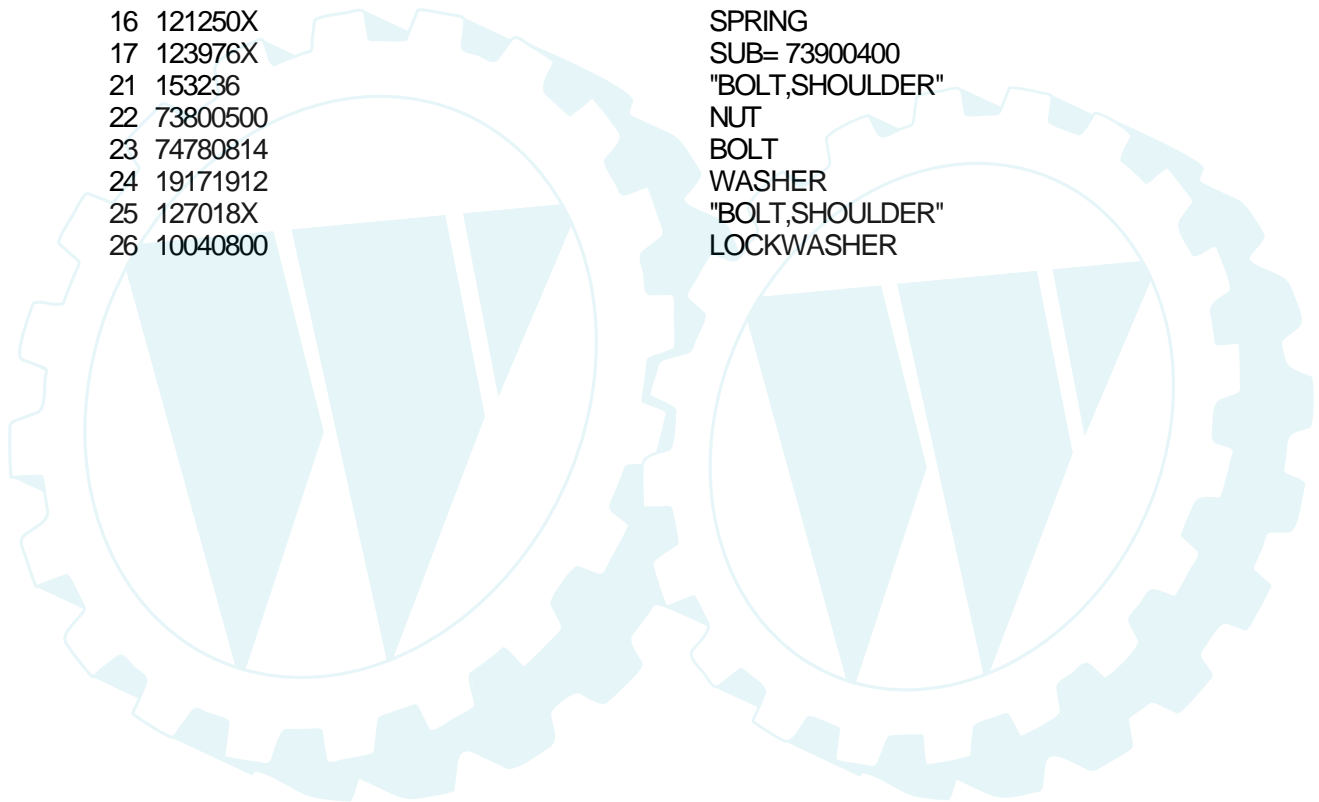
TRACTOR - - MODEL NUMBER WE12538B

SEAT ASSEMBLY



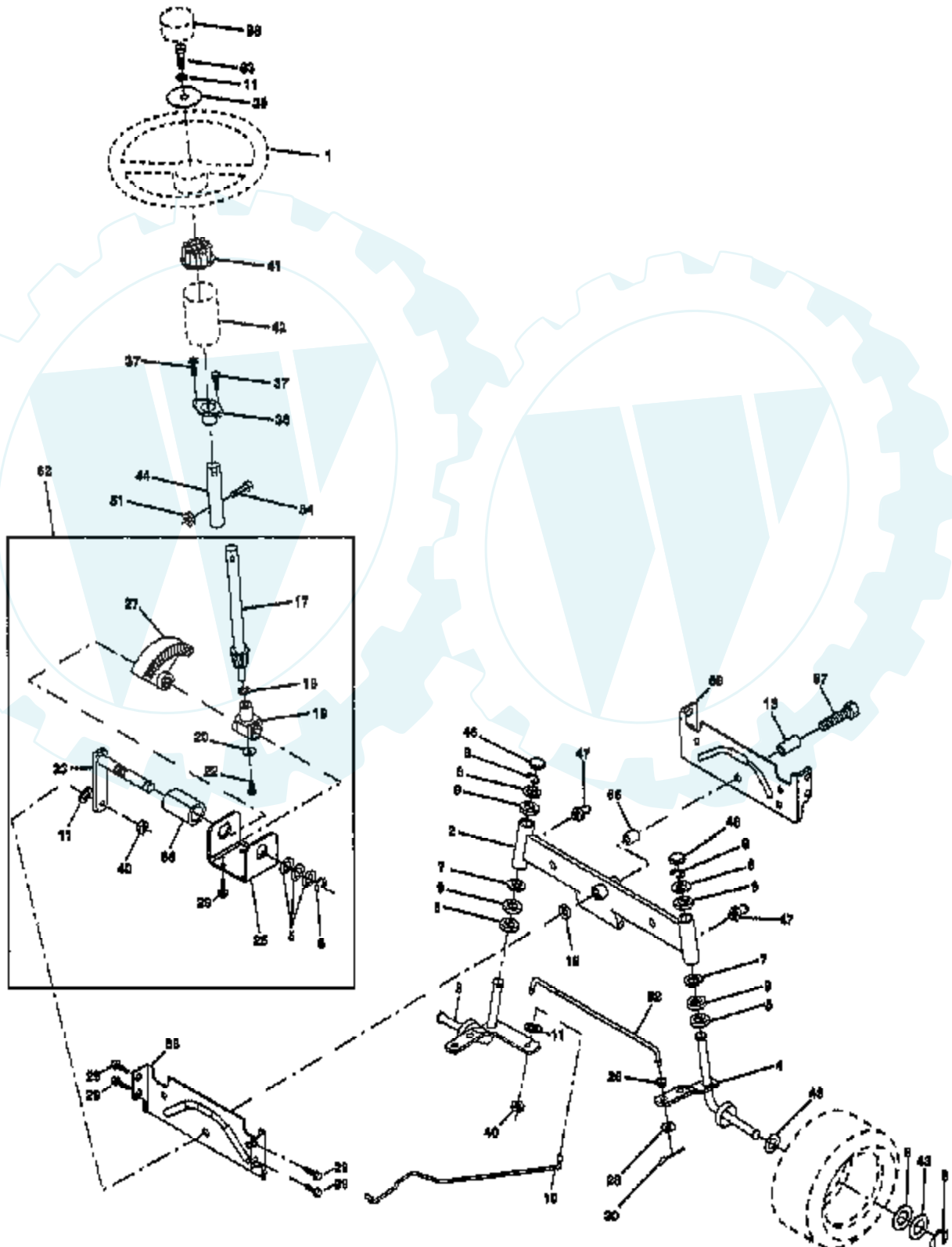
NOTE: All component dimensions given in U.S. inches
1 inch = 25.4 mm.

Ref #	Part Number	Qty	Description
1	127426X		SUB= 140119
2	140551		BRACKET PVT SEAT
3	74760616		BOLT
4	19131610		WASHER PM
5	145006		CLIP.PUSH-IN.HING
6	73800600		NUT
7	124181X		SPRING COMPRESSIO
8	17490616		SCREW GTV
9	19131614		WASHER
10	155925		PAN-SEAT
12	121246X		BRKT SWITCH
13	121248X		BUSHING
14	72050411		SUB= 872050411
15	134300		SPLIT SPACER
16	121250X		SPRING
17	123976X		SUB= 73900400
21	153236		"BOLT,SHOULDER"
22	73800500		NUT
23	74780814		BOLT
24	19171912		WASHER
25	127018X		"BOLT,SHOULDER"
26	10040800		LOCKWASHER



TRACTOR - - MODEL NUMBER WE12538B

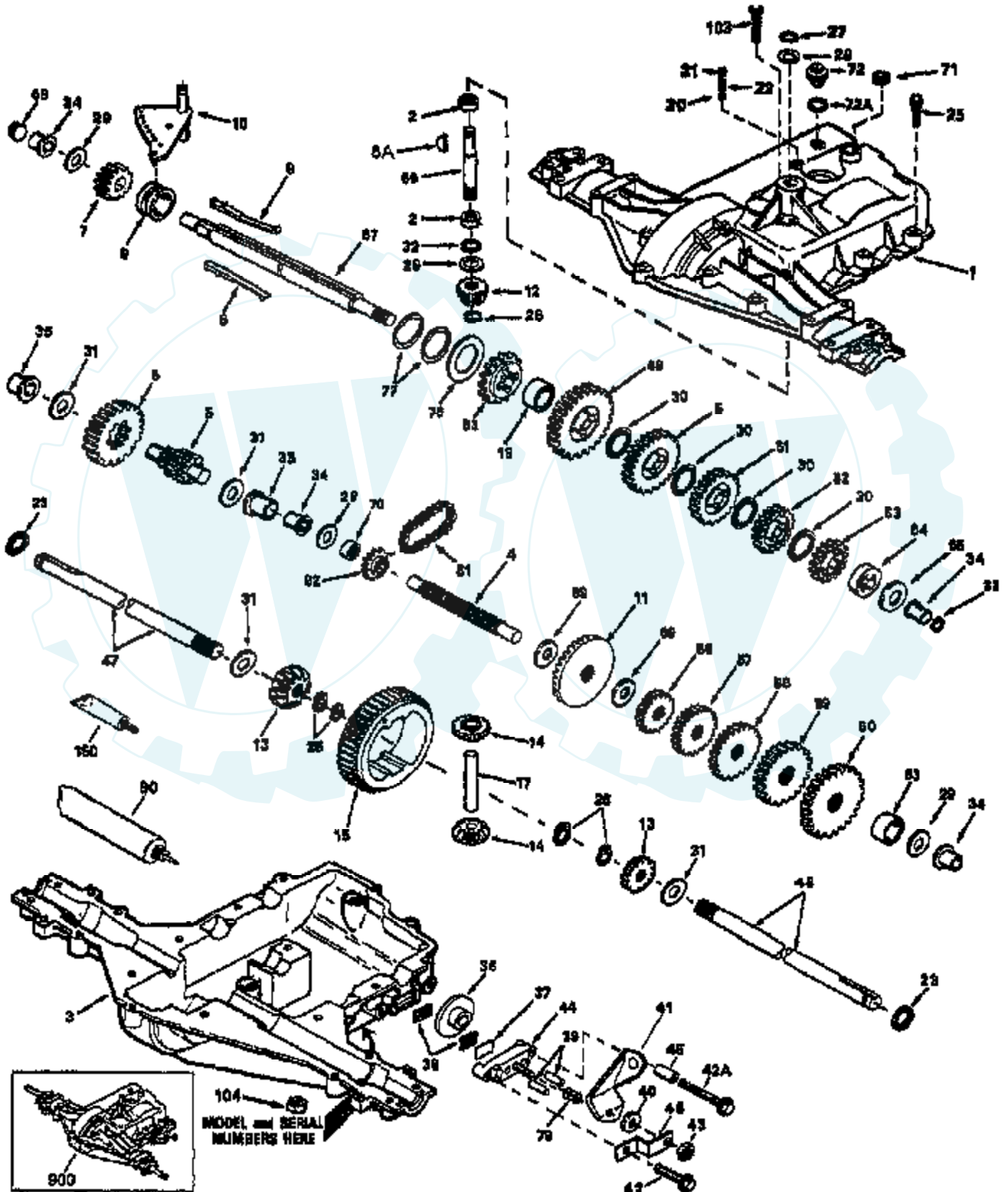
STEERING



Ref #	Part Number	Qty	Description
1	140044		WHEEL STR AYP BLK
2	154427		AXLE ASM
3	154422		SUB= 156483
4	154423		SUB= 157473
5	6266H		WASHER .T
6	121748X		WASHER
7	19272016		WASHER
8	12000029		RING
9	3366R		COL. SRTG. BEAR.
10	156438		DRAGLINK-STAMPED
11	10040600		LOCKWASHER
13	154779		BEARING AXLE
15	73901000		"NUT-LOC,FLANGE LT"
17	156546		SHAFT ASM STEERIN
18	57079		THRUST WASHER
19	124035X		SUPPORT.SHAFT
20	126684X		SUB= 532126684
22	71200410		SCREW HEX SOC1/4-
23	127501		SUB= 918127501
25	154406		BRKT-STEERING
26	126847X		BUSHING.DRAGLINK
27	136874		GEAR SECTOR
28	19131416		WASHER
29	17490612		SCREW
30	76020412		COTTER PIN
32	130465		TIE ROD
36	155099		BUSHING.STEERING
37	152927		"SCREW-TT,10-32 FL"
38	140045		CAP STEER AYP
39	19133808		WASHER T
40	7810H		GRIPCO NUT
41	100711L		ADAPTER LT
42	145054		BOOT.STEER.PL
43	121749X		WASHER
44	153720		EXT SHAFT STEERIN
46	121232X		CAP
47	6855M		ZERK M
51	73800500		NUT
54	74780520		BOLT
62	156594		KIT STEERING ASM
63	74780616		BOLT
65	154780		SPACER AXLE
66	154404		"BEARING-ARM,PITMA"
67	74781044		BOLT
68	154429		BRACE AXLE

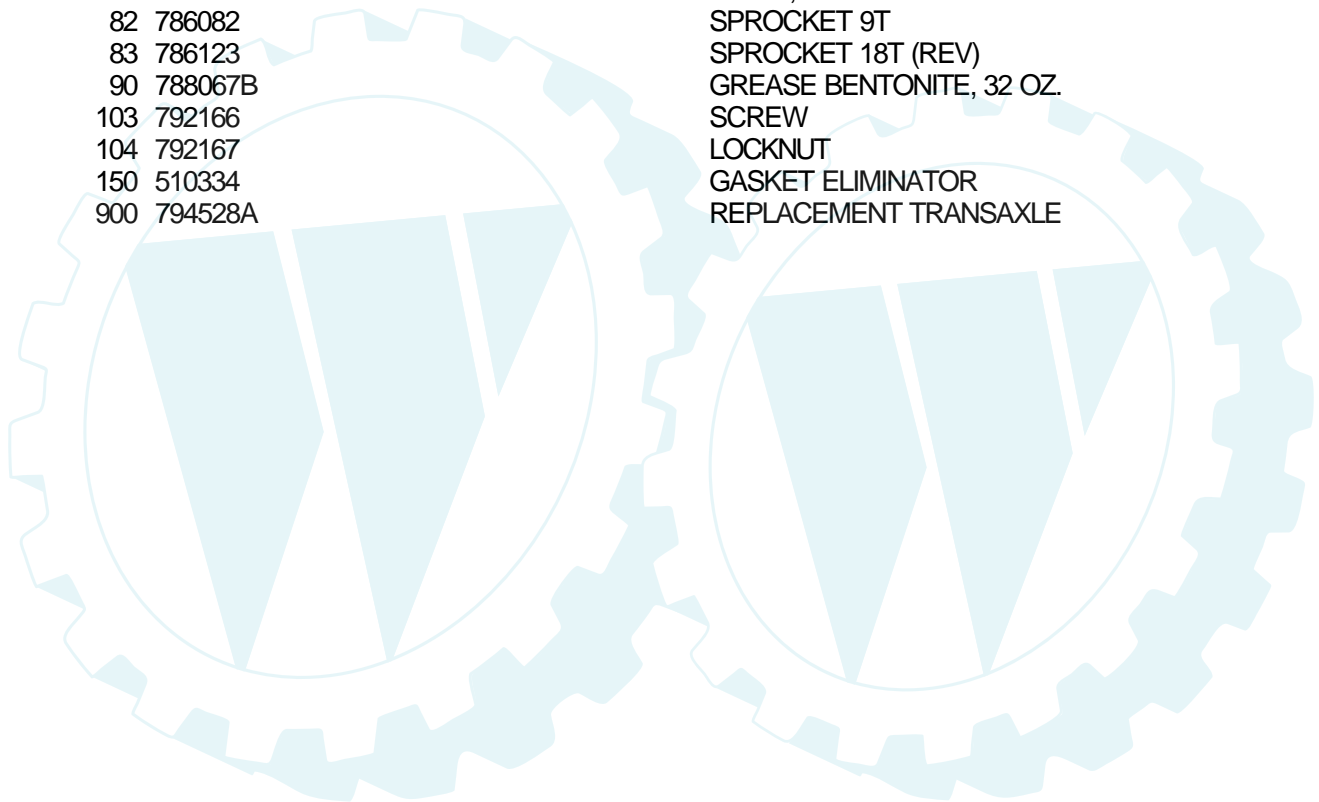
TRACTOR -- MODEL NUMBER WE12538B

PEERLESS TRANSAXLE -- MODEL NUMBER 930-054



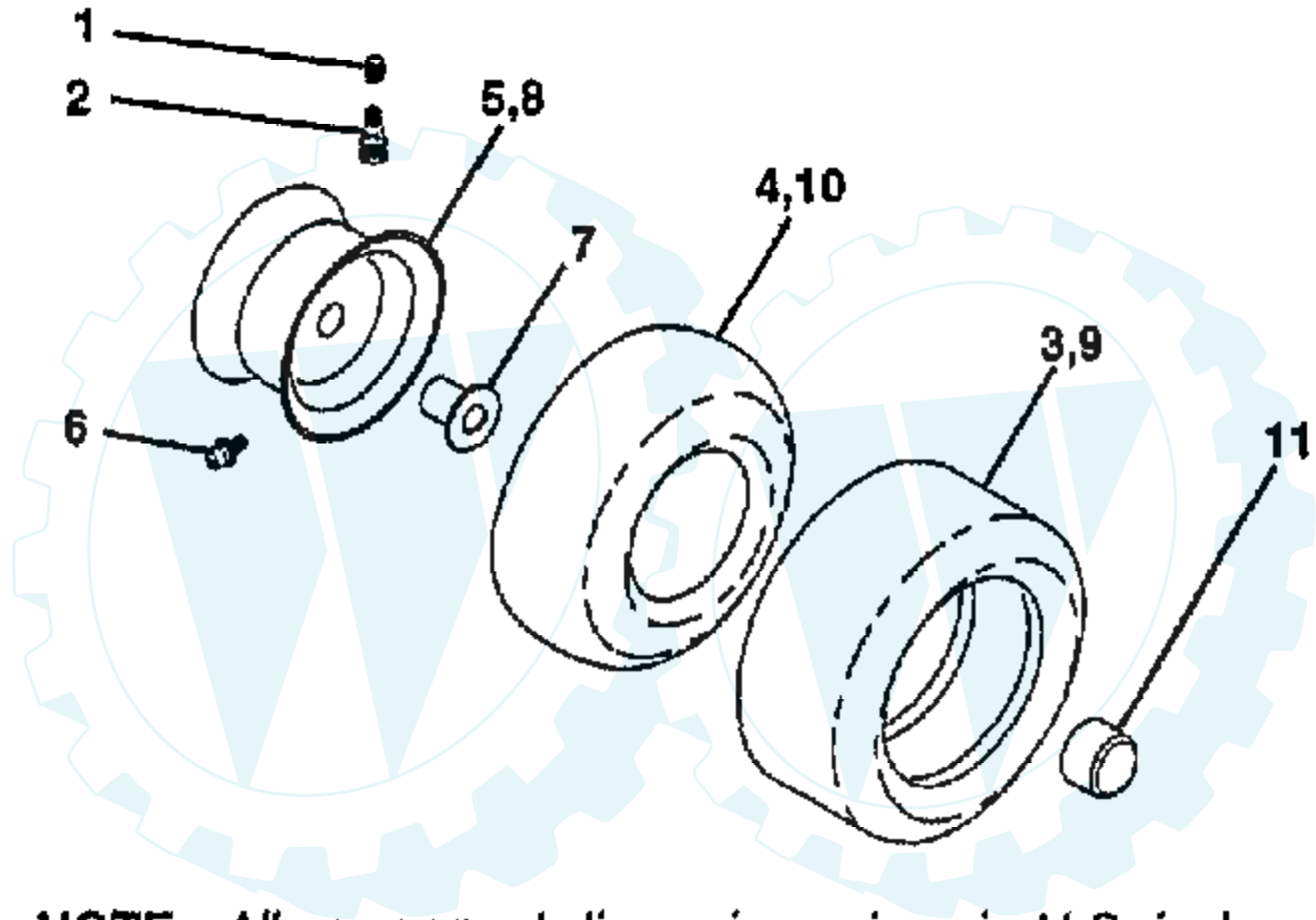
Ref #	Part Number	Qty	Description
1	772108A		TRANSAXLE COVER
2	780086		BEARING, NEEDLE
3	770102A		TRANSAXLE CASE
4	776260		SHAFT, COUNTER
5	776219B		OUTPUT SHAFT AND PINION
6	778139		GEAR, OUTPUT
7	778136		GEAR, SPUR, 15 TEETH
8	792136A		SHIFT KEY
8A	792047		KEY, WOODRUFF
9	784352		COLLAR, SHIFTER
10	784355		ROD & FORK ASSY, SHIFT
11	778229		GEAR, BEVEL, 42 TEETH
12	778113A		BEVEL PINION, INPUT
13	778221		GEAR, BEVEL
14	778068		GEAR, BEVEL, PINION
15	778260		GEAR, RING
17	786139		PIN, DRIVE
18	786102		SPACER, NEUTRAL
20	792077		BALL STEEL, 5/16" DIA.
21	792078		SCREW, 3/8-16 X 3/8"
22	792079		SPRING
23	788061		RING, SEAL
25	792073		SCREW, 1/4-20 X 1-1/4
26	792125		RING RETAINER
27	792035		RING, RETAINER
28	788040		RETAINING RING
29	780072		WASHER THRUST
30	780108		WASHER THRUST
31	780001		WASHER
32	792001		"O" RING
33	788095		SEAL, SQUARE CUT
34	780105A		BUSHING, FLANGED
35	780118A		BUSHING, FLANGED
36	790003		DISK, BRAKE
37	790007		PLATE BRAKE PAD
38	799021		BRAKE PAD
39	786026		PIN DOWEL
40	792076A		WASHER
41	790079		BRAKE LEVER
42	792073		SCREW, 1/4-20 X 1-1/4
42A	792085A		SCREW, 1/4-20 X 2-1/4
43	792075		LOCKNUT 5/16-24
44	790025		HOLDER BRAKE PAD
45	786066		SPACER
46	786086		BRKT BRAKE LEVER
47	774690		AXLE
48	774691		AXLE
49	778215		GEAR, SPUR, 37 TEETH
50	778124A		GEAR, SPUR, 30 TEETH
51	778123A		GEAR, SPUR, 25 TEETH
52	778122A		GEAR, SPUR, 22 TEETH
53	778273		GEAR, SPUR, 19T
56	778230		GEAR, SPUR, 12 TEETH
57	778126A		GEAR, SPUR, 20 TEETH
58	778127A		GEAR, SPUR, 25 TEETH
59	778128A		GEAR, SPUR, 28 TEETH
60	778163		GEAR, SPUR, 31 TEETH
63	786071		SPACER

Ref #	Part Number	Qty	Description
64	786072		SPACER
65	780109		WASHER, THRUST
66	776135		SHAFT, INPUT
67	776315A		SHAFT, BRAKE, 4 KEYED
68	786116A		PLUG
69	780051		WASHER THRUST
70	786118		SPACER
71	788069		SEAL SQUARE CUT
72	792165		THREADED PLUG 9/16-18
72A	788091		"O" RING
76	780090		WASHER, THRUST
77	788078A		INVERTED RETAINING RING
79	792144		SPRING
81	786081		CHAIN, ROLLER
82	786082		SPROCKET 9T
83	786123		SPROCKET 18T (REV)
90	788067B		GREASE BENTONITE, 32 OZ.
103	792166		SCREW
104	792167		LOCKNUT
150	510334		GASKET ELIMINATOR
900	794528A		REPLACEMENT TRANSAXLE



TRACTOR -- MODEL NUMBER WE12538B

WHEELS & TIRES



NOTE: All component dimensions given in U.S. inches
1 Inch = 25.4 mm

Ref #	Part Number	Qty	Description
1	59192		VALVE CAP
2	65139		VALVE STEM LT
3	106222X		SUB= 122073X
4	59904		TUBE.5.3/4.5/6
5	106732X427		"RIM ASM 6"" FRT"
6	278H		FITTING LT
7	9040H		"FLANGE, BEARING"
8	106108X427		"RIM AS 8"" REAR"
9	124635X		SUB= 126957X
10	7152J		TUBE.18X9.5-8
11	104757X		HUB CAP
	144334		SEALANT.TIRE 10 OZ. TUBE

