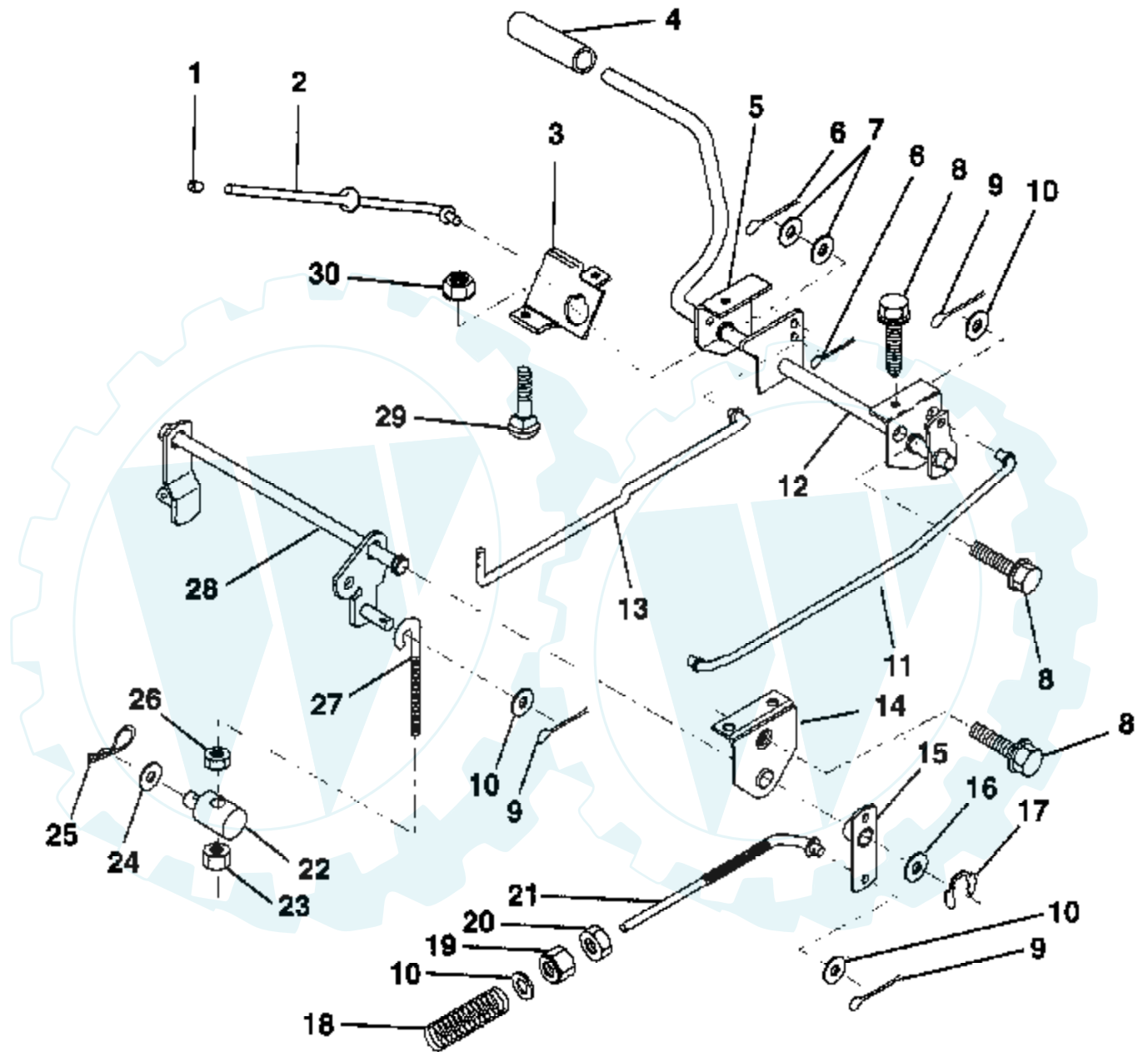


10 HP 36" TRACTOR - - MODEL NUMBER WE10L36A BRAKE / REAR MOWER LIFT ASSEMBLY

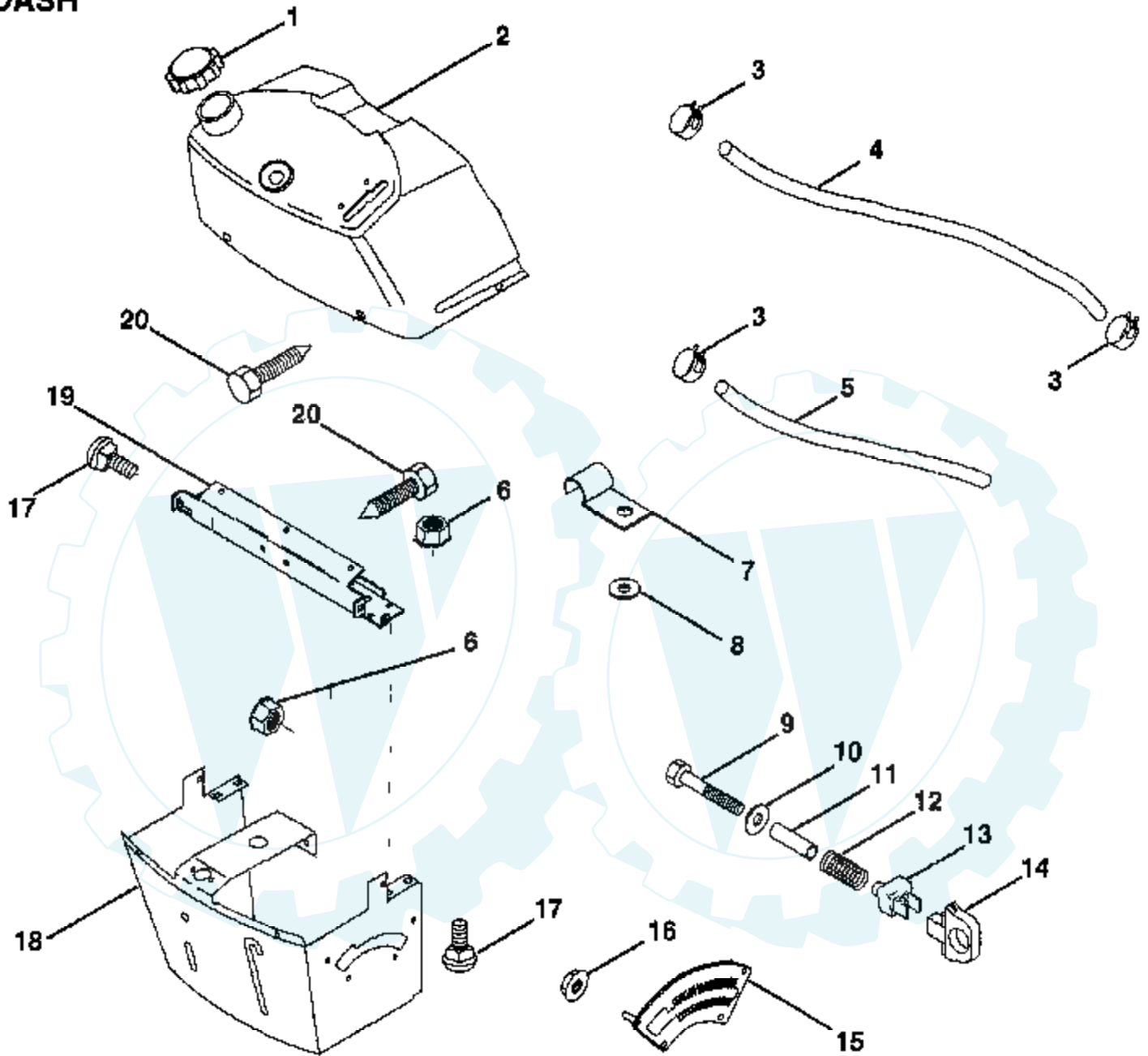


HARDWARE SHOWN LARGER FOR EASIER IDENTIFICATION

Ref #	Part Number	Qty	Description
1	71673		PLUNGER CAP T
2	123436X		"ROD,PARK BRAKE"
3	123437X		"BRKT,PARK BRAKE"
4	8156H		FOOT PEDAL COVER
5	122504X		"BRKT,CLU PEDAL LH"
6	76020312		SUB= 3145
7	19131016		WASHER
8	17490508		SCREW LT
9	76020412		COTTER PIN
10	19131316		WASHER
11	123543X		"ROD,FRT BRAKE"
12	129567		SUB= 139933
13	123394X		"ROD,CLUTCH"
14	121978X		"BRKT,LIFT SHAFT"
15	123641X		BRAKE PIVOT ARM
16	19251816		WASHER T
17	12000034		KLIP RING
18	106888X		SPRING ROD LT
19	73800600		NUT
20	73350600		NUT
21	131936		ROD.BRAKE.REAR
22	127378		SUB= 144585
23	73680600		SUB= 73690600
24	19132012		WASHER
25	4921H		SPRING.RETAINER
26	73930600		LOCKNUT
27	127369		"LINK, MOWER REAR"
28	127358		SUB= 140776
29	72110506		SUB= 72270506
30	73510500		NUT

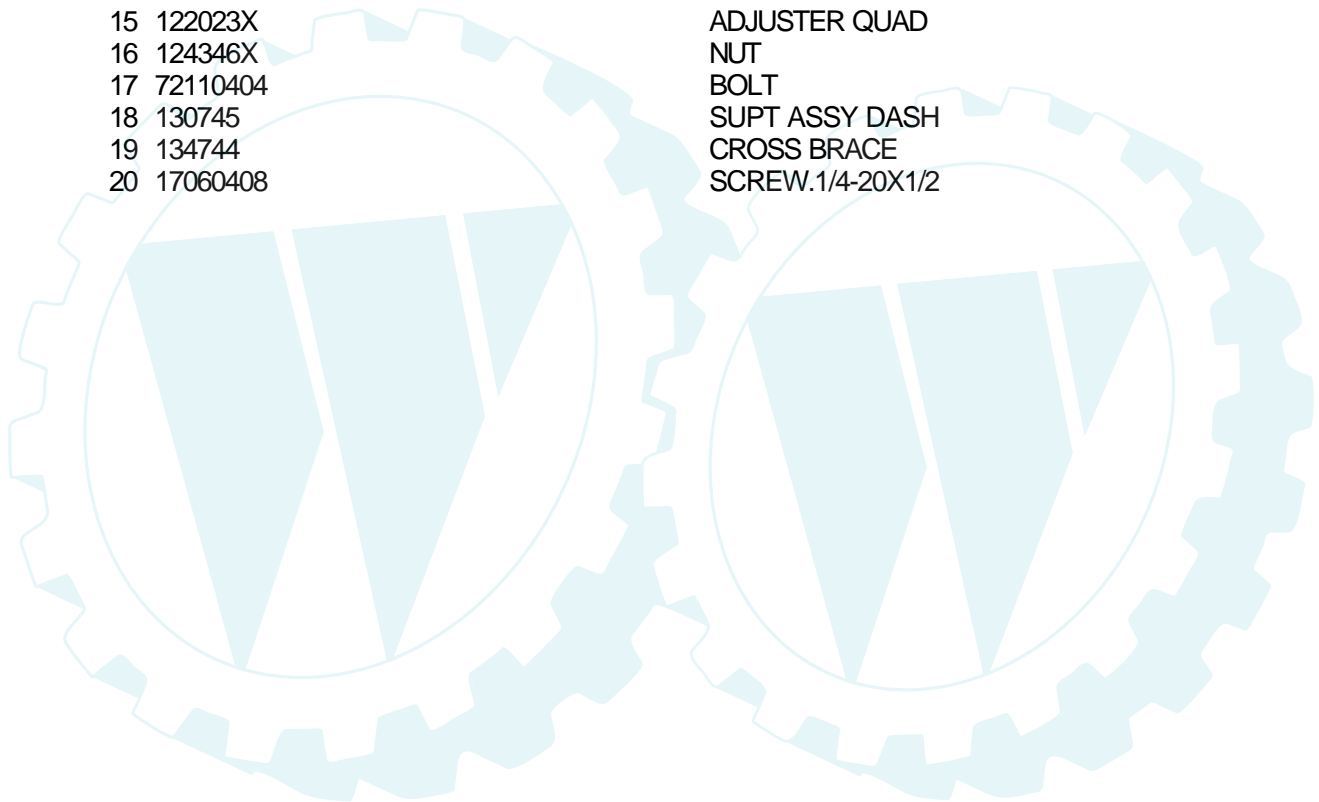
10 HP 36" TRACTOR - - MODEL NUMBER WE10L36A

DASH



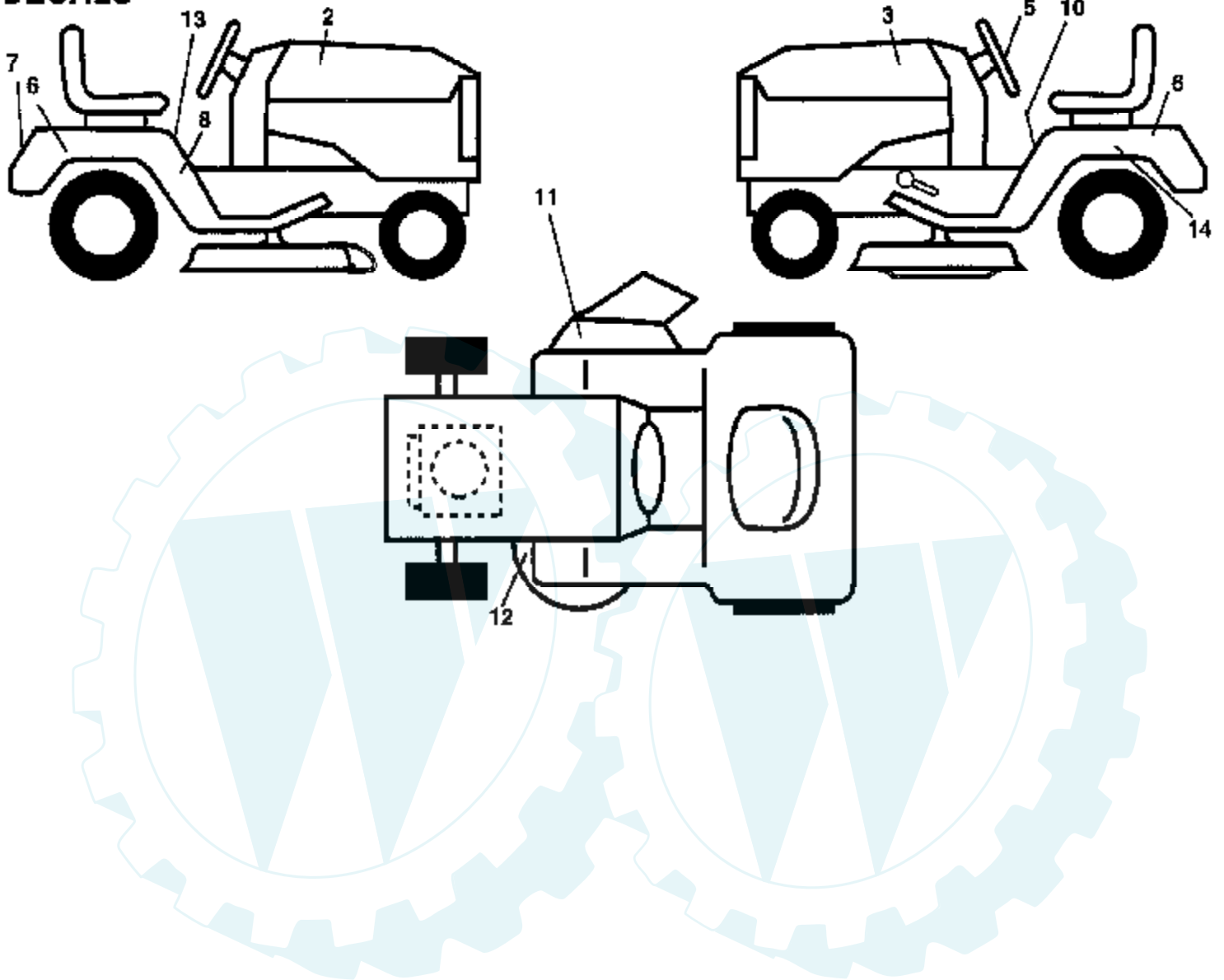
HARDWARE SHOWN LARGER FOR EASIER IDENTIFICATION

Ref #	Part Number	Qty	Description
1	132734		CAP.FUEL.N/VENT
2	138393		TANK.ASM.DASH.LR
3	123487X		HOSE CLAMP
4	8544R		SUB= 295J
5	8548R		FUEL LINE T
6	73510400		NUT
7	2751R		CLIP T
8	19091216		WASHER PM
9	74760428		BOLT
10	19091413		WASHER
11	121249X		SPACER SPLIT
12	3720R		SPRING M
13	126450X		"KNOB,HGT RETAINER"
14	126115X		KNOB
15	122023X		ADJUSTER QUAD
16	124346X		NUT
17	72110404		BOLT
18	130745		SUPT ASSY DASH
19	134744		CROSS BRACE
20	17060408		SCREW.1/4-20X1/2

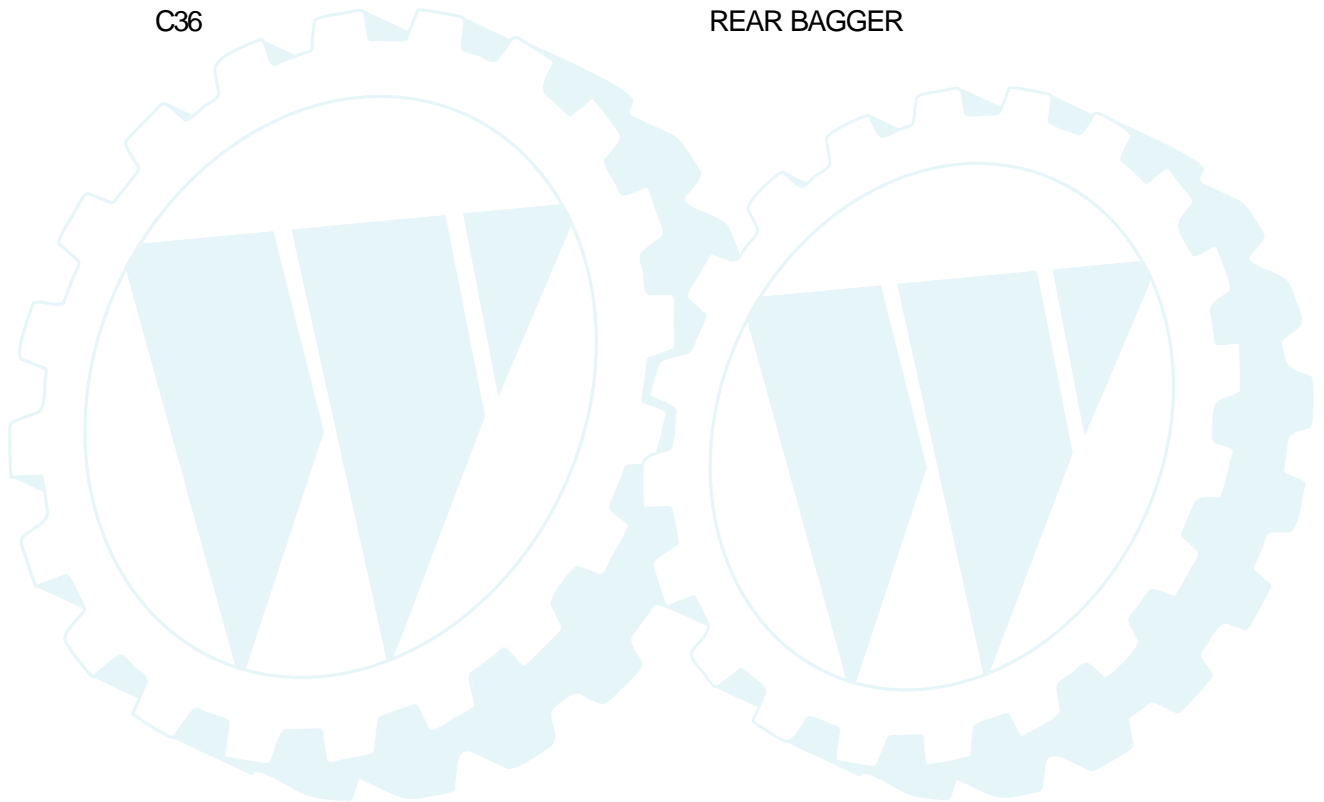


10 HP 36" TRACTOR -- MODEL NUMBER WE10L36A

DECALS

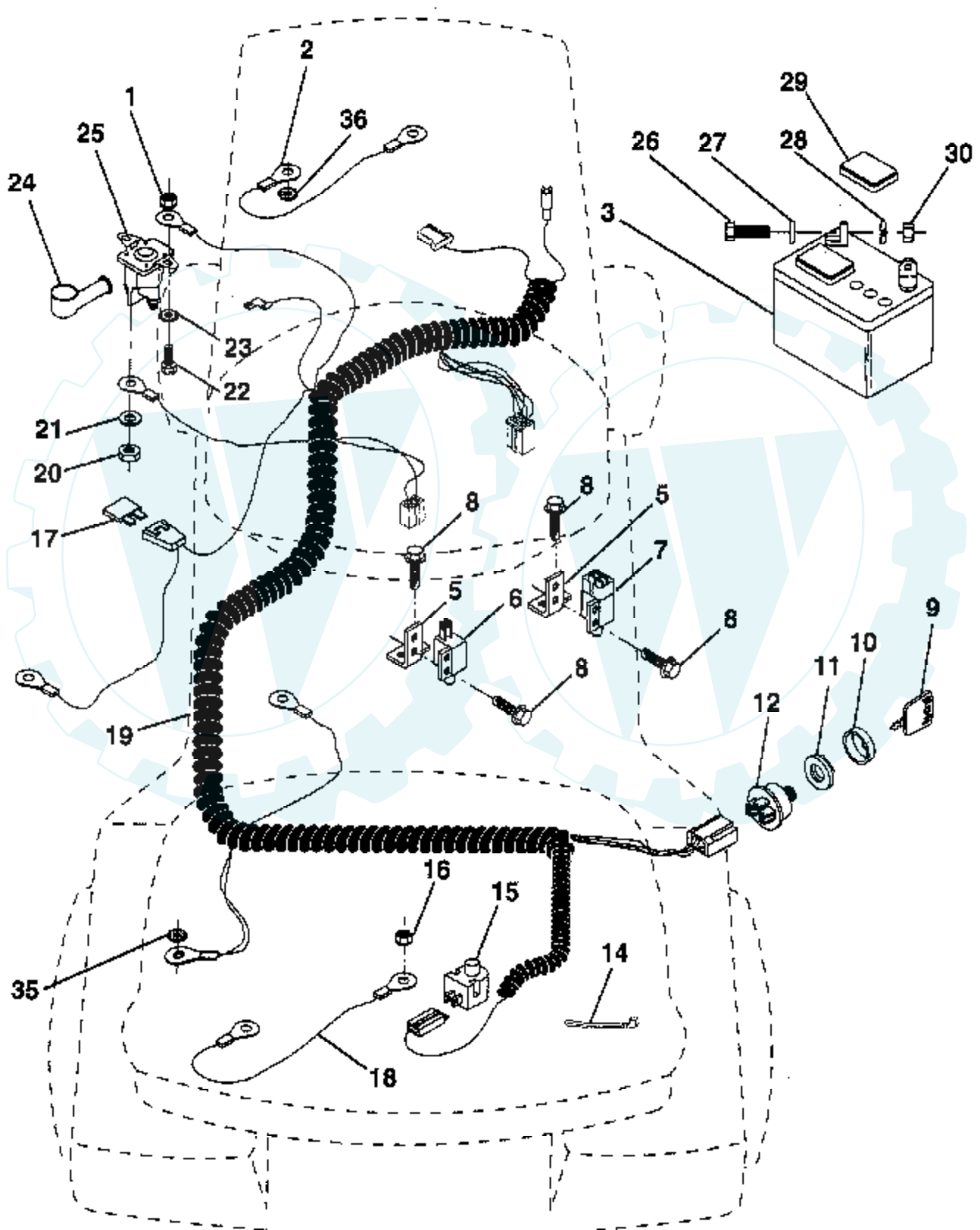


Ref #	Part Number	Qty	Description
2	139063		DECAL.STRIPE.RH
3	139064		DECAL.STRIPE.LH
5	137042		DECAL.WHL.STRG.
6	138804		DECAL.FEND.QUICKS
7	137043		DECAL.FENDER
8	139181		DECAL.CENTER.SHIF
10	123637X		SUB= 138269
11	137259		"DECAL, WARNING"
12	136830		DECAL.V.BELT
13	133795		DECAL CAUTION
14	121549X		DECAL
	138698		MANUAL.OPERATOR
	138699		NLA
	139586		MANUAL.P.WE10L36A
	C36		REAR BAGGER



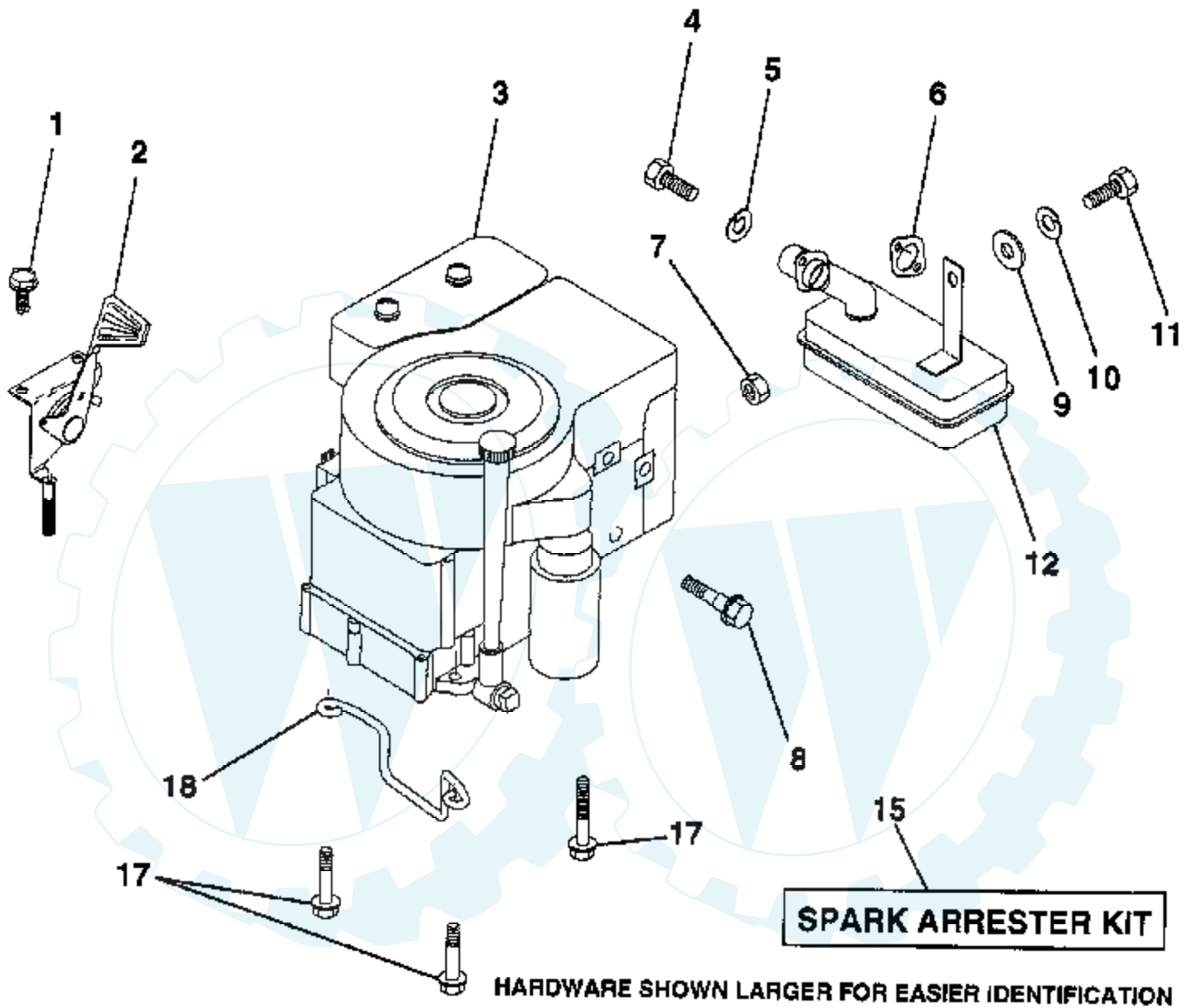
10 HP 36" TRACTOR - - MODEL NUMBER WE10L36A

ELECTRICAL

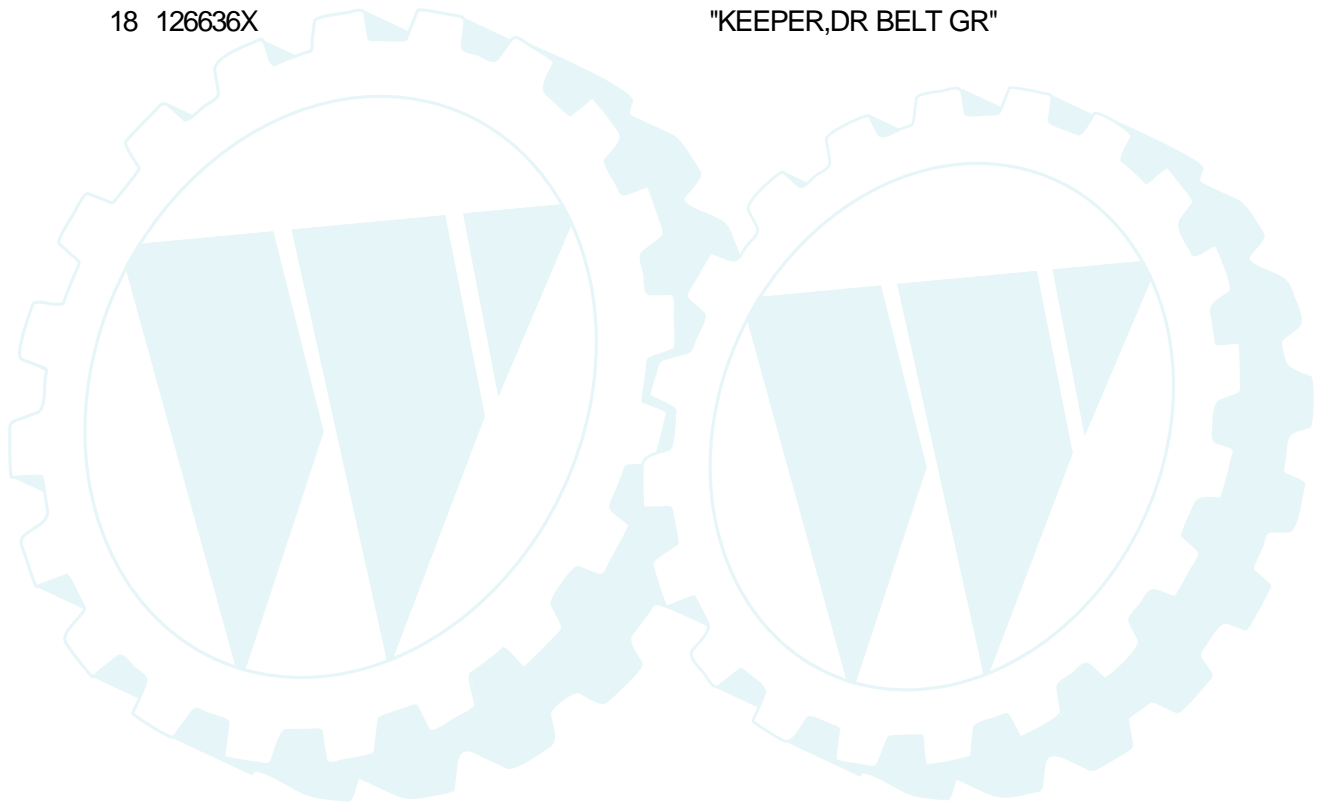


Ref #	Part Number	Qty	Description
1	73510400		NUT
2	108423X		CABLE ASM.
3	133909		SUB= 123899X
5	108236X		BRACKET LT
6	104445X		SWITCH-INTER. GT
7	109553X		SWITCH INTERLOCKT
8	17021008		SCREW
9	122147X		KEY
10	123620X		SUB= 141226
11	124211X		NUT IGNITION
12	4406R		SUB= STD365402
14	7192J		WIRE TIE
15	121305X		SWITCH SEAT
16	73510500		NUT
17	108824X		FUSE HYT
18	128353		CABLE ASSY
19	131467		HARNESS.IGN.B&S
20	73350400		NUT
21	10090400		SUB= 10040400
22	74780408		BOLT
23	11050400		LOCKWASHER
24	131563		SUB= 154336
25	138406		SUB= 146154
26	74760412		BOLT LT
27	19091016		WASHER
28	10040400		LOCKWASHER
29	121264X		"CAP,BATTERY "
30	73220400		SUB= 50675
35	11050600		LOCKWASHER
36	11150400		LOCKWASHER

10 HP 36" TRACTOR - - MODEL NUMBER WE10L36A ENGINE / THROTTLE

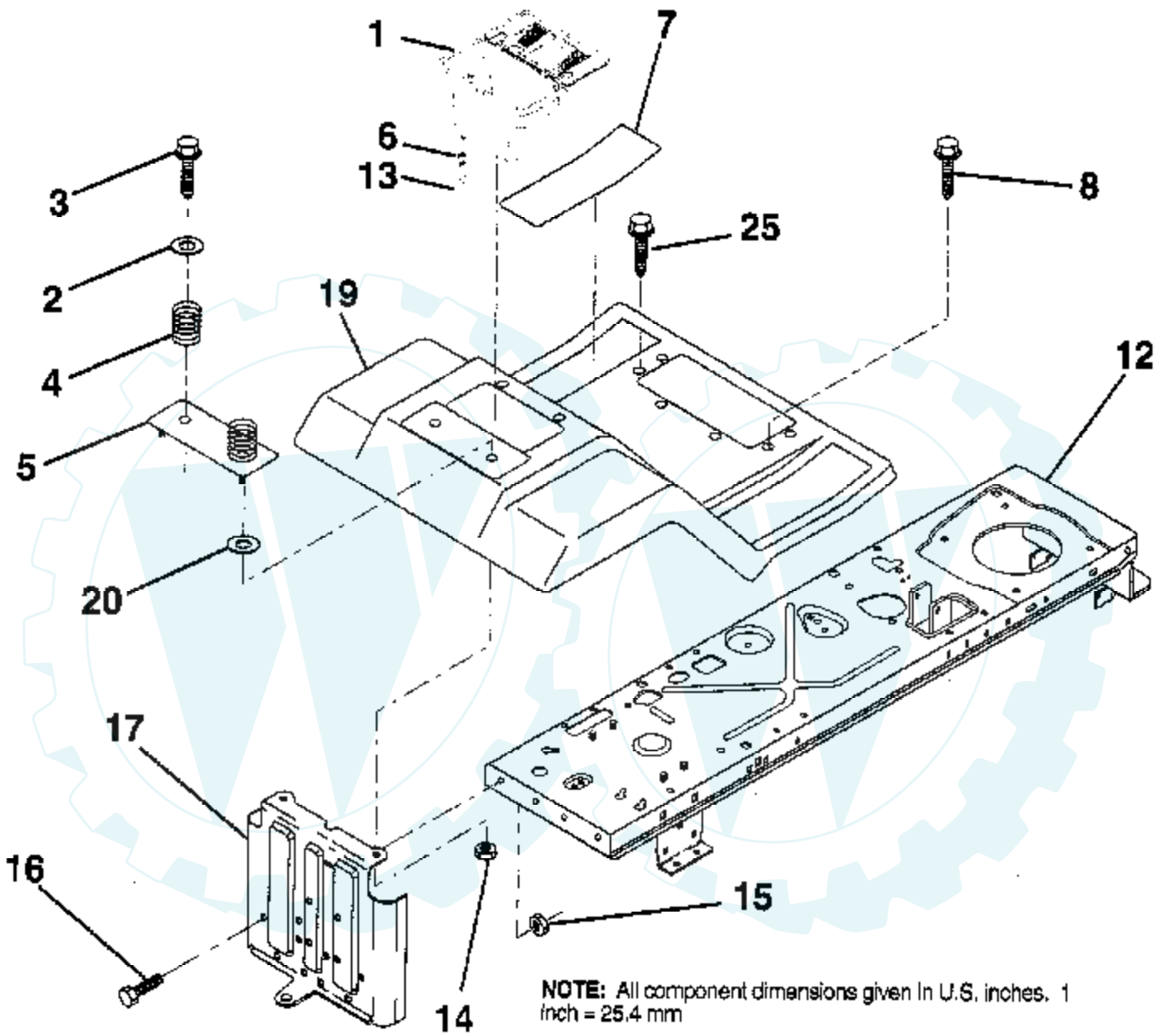


Ref #	Part Number	Qty	Description
1	17060408		SCREW.1/4-20X1/2
2	132752		"CONTROL,THROTTLE"
3	254707		ENGINE, B&S 10 HP
4	71070512		SCREW
5	10040500		LOCKWASHER
6	125593X		SUB= 272293
7	73220500		NUT.HEX.5/16-18
8	121094X		BOLT T
9	19101216		WASHER
10	10040400		LOCKWASHER
11	74760416		BOLT
12	137437		MUFFLER
15	137180		SUB= 532137180
17	17490624		SCREW LT
18	126636X		"KEEPER,DR BELT GR"



10 HP 36" TRACTOR - - MODEL NUMBER WE10L36A

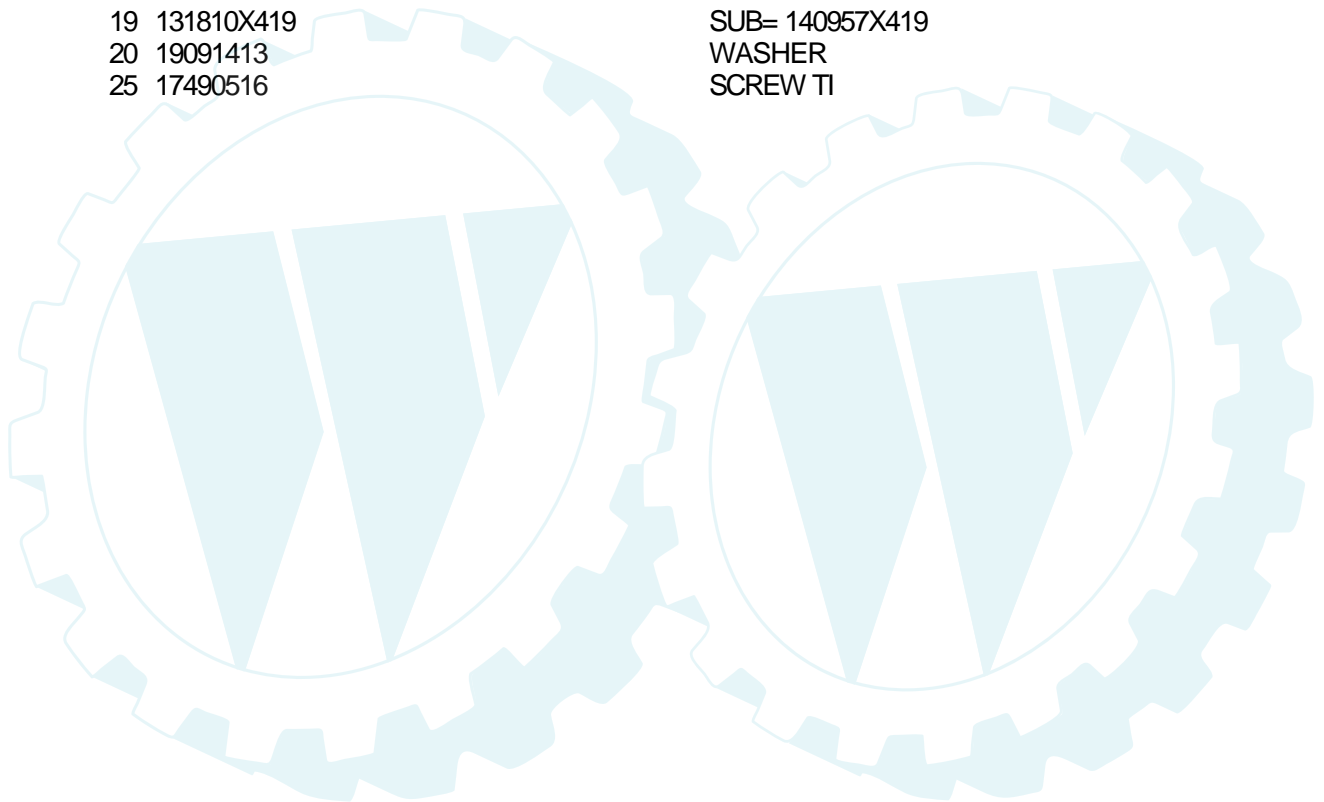
FENDER / CHASSIS



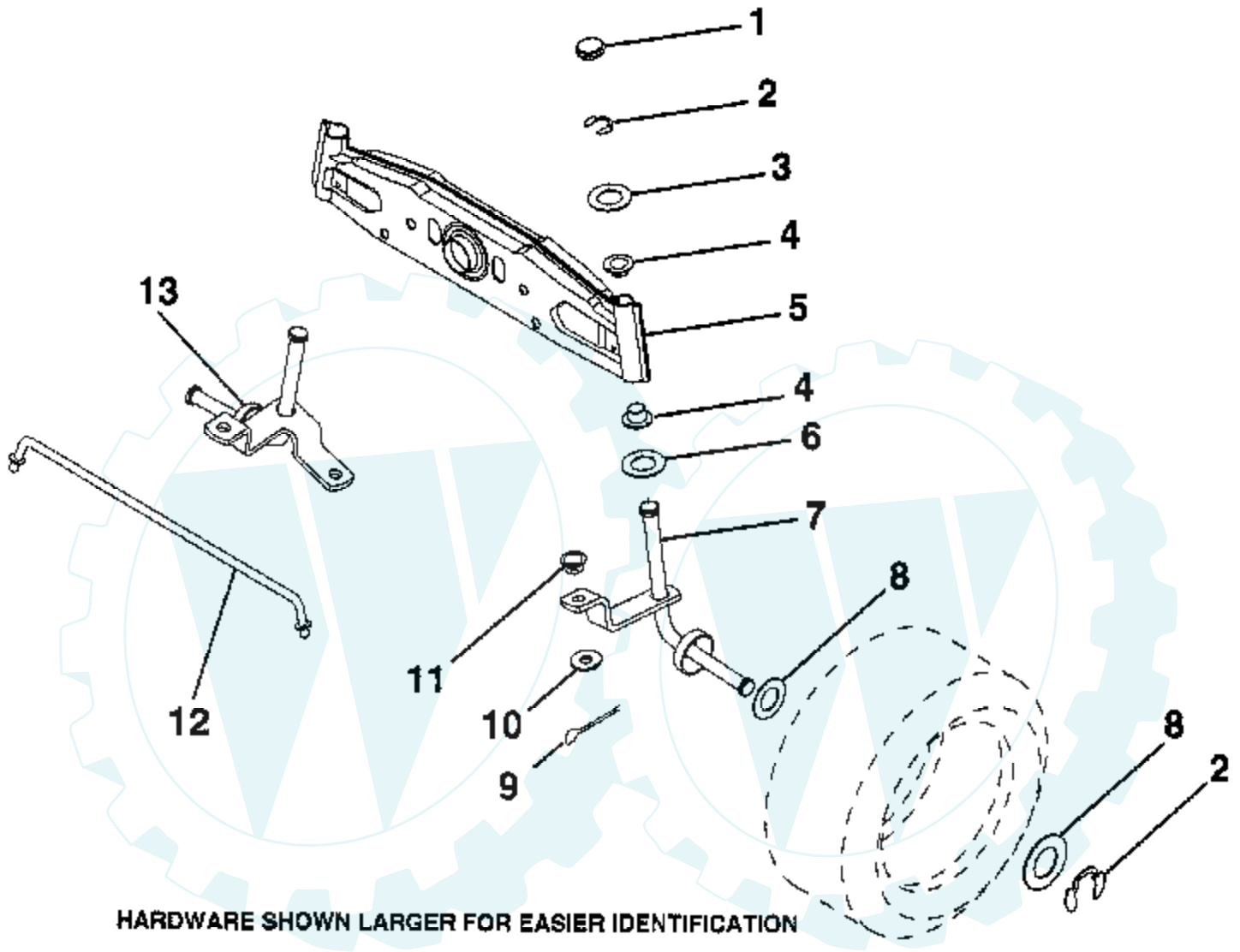
NOTE: All component dimensions given in U.S. inches. 1 inch = 25.4 mm

HARDWARE SHOWN LARGER FOR EASIER IDENTIFICATION

Ref #	Part Number	Qty	Description
1	129965		SUB= 156417
2	19132012		WASHER
3	17490612		SCREW
4	124181X		SPRING COMPRESSIO
5	127115X419		"PLATE, BATTERY"
6	109596X		HOSE CLAMP T
7	124144X		PAD FOOTREST
8	17490512		SCREW
12	137097		SUB= 139893
13	109238X		TUBE T
14	73510400		NUT
15	73680500		SUB= 73690500
16	74760512		BOLT
17	127880		DRAWBAR
19	131810X419		SUB= 140957X419
20	19091413		WASHER
25	17490516		SCREW TI



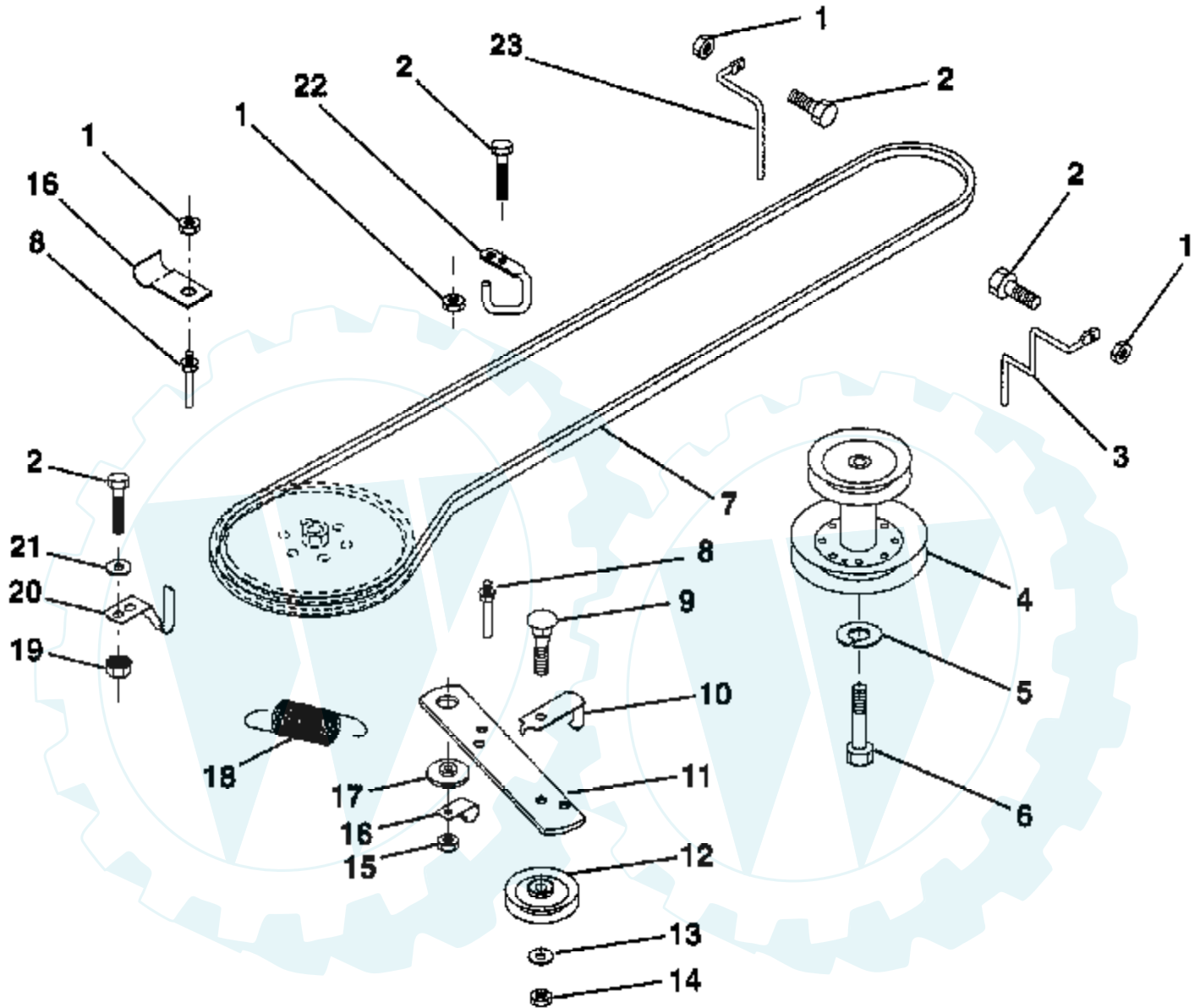
10 HP 36" TRACTOR - - MODEL NUMBER WE10L36A FRONT AXLE



Ref #	Part Number	Qty	Description
1	121232X		CAP
2	12000029		RING
3	121748X		WASHER
4	121922X		NYLINER
5	121914X		AXLE FRONT
6	6266H		WASHER .T
7	121919X		SPINDLE RH
8	121749X		WASHER
9	76020412		COTTER PIN
10	19131316		WASHER
11	126847X		BUSHING.DRAGLINK
12	121924X		ROD TIE
13	121916X		SPINDLE LH

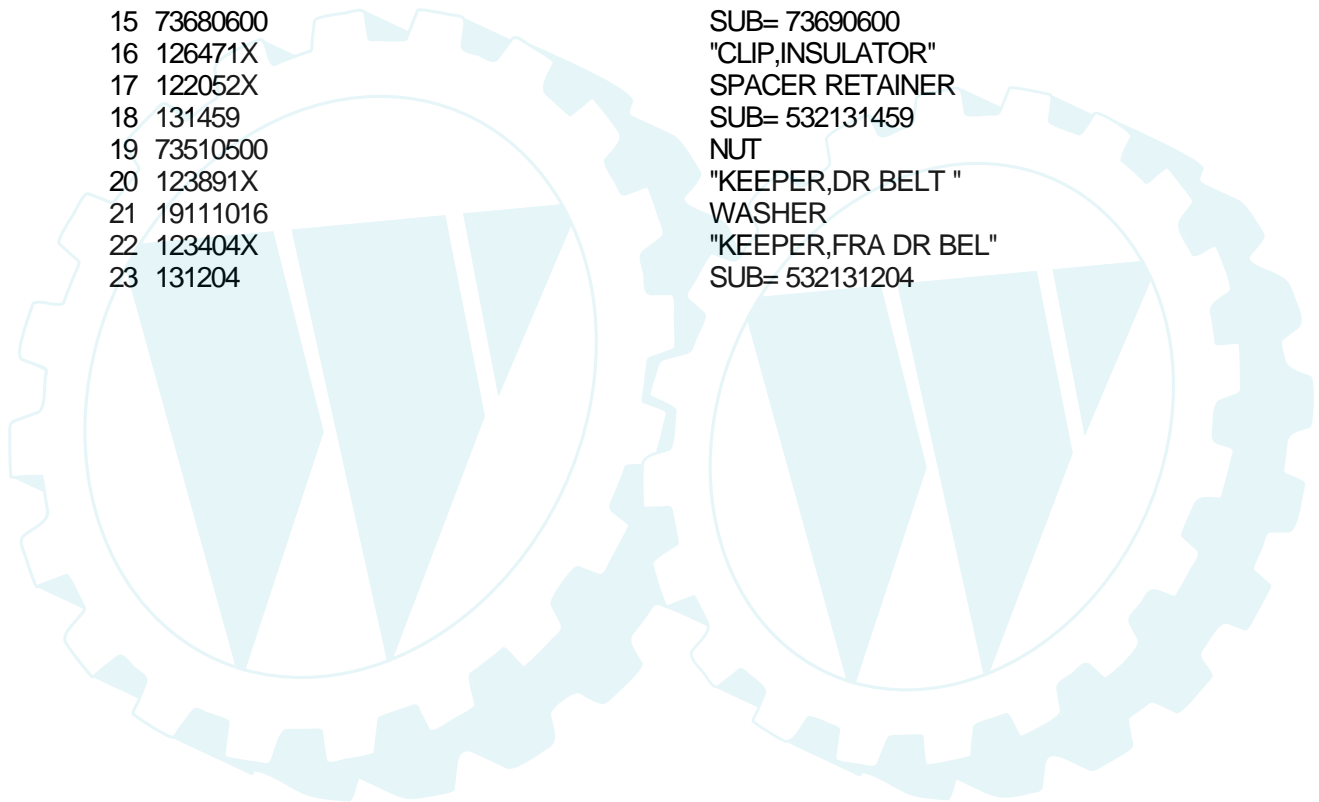


10 HP 36" TRACTOR -- MODEL NUMBER WE10L36A GROUND DRIVE

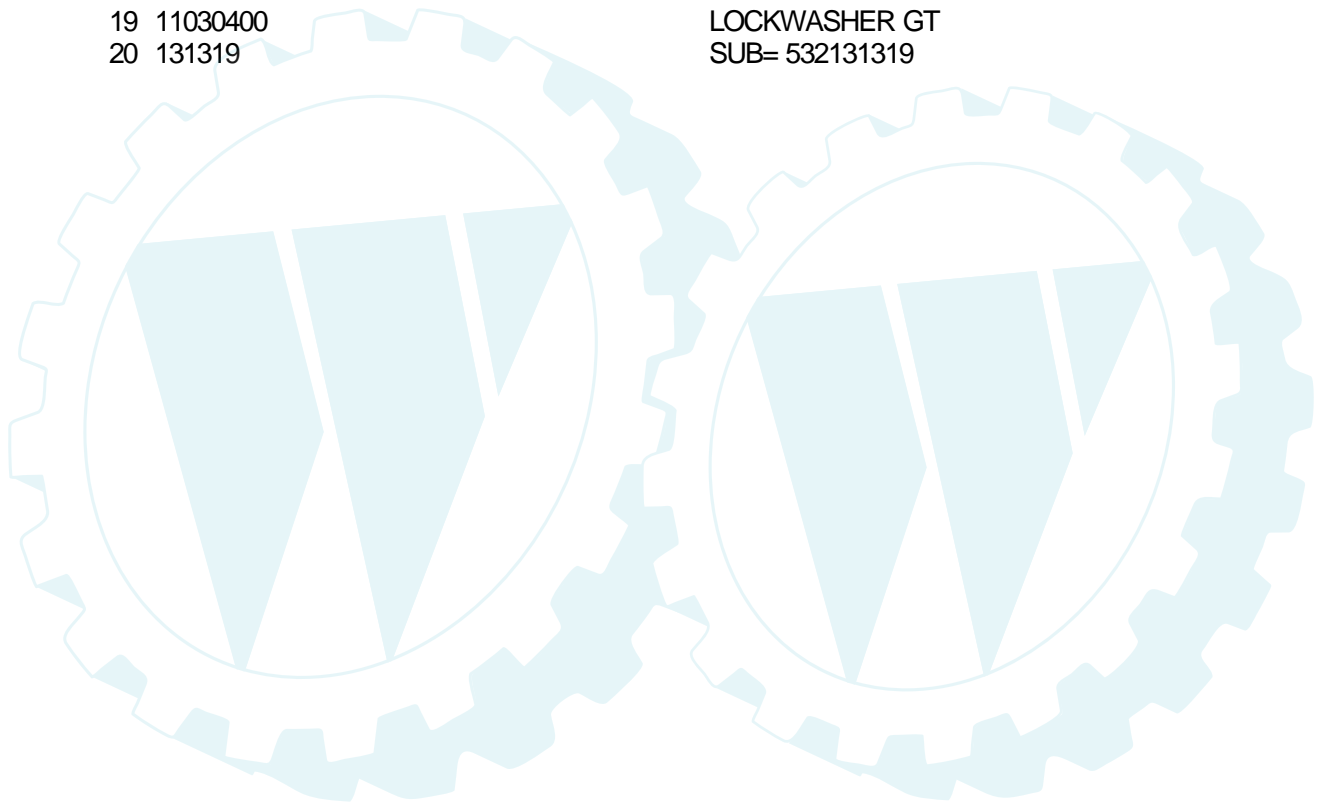


HARDWARE SHOWN LARGER FOR EASIER IDENTIFICATION

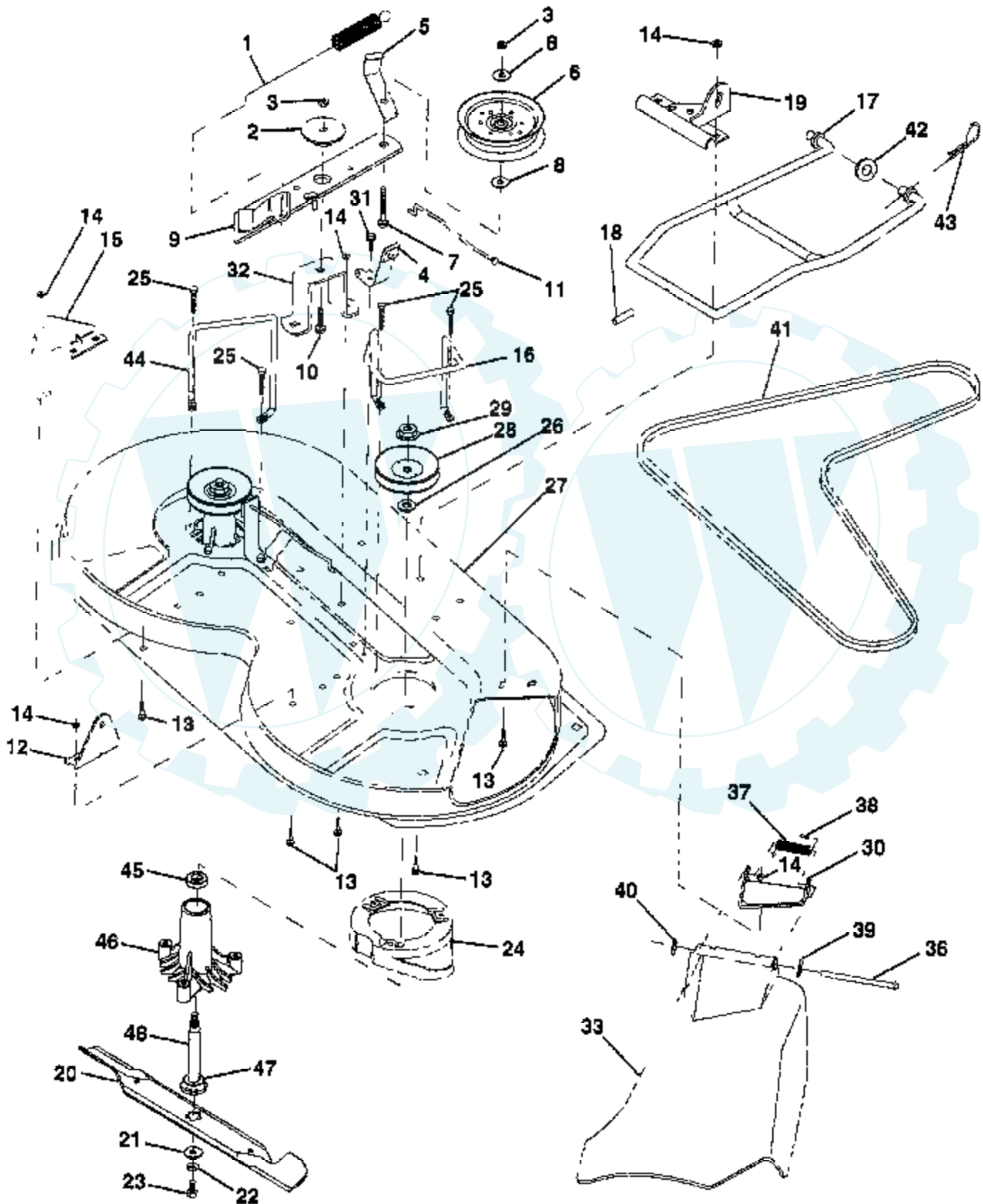
Ref #	Part Number	Qty	Description
1	73680500		SUB= 73690500
2	74760512		BOLT
3	131205		SUB= 532131205
4	134828		SUB= 138029
5	10040700		LOCKWASHER
6	71170744		HEX BOLT
7	124525X		BELT
8	123405X		"KEEPER,DRIVE BELT"
9	72140612		BOLT
10	123396X		"KEEP,IDLER DR BEL "
11	123395X		SUB= 140911
12	121316X		PULLEY IDLER
13	19131316		WASHER
14	73930600		LOCKNUT
15	73680600		SUB= 73690600
16	126471X		"CLIP,INSULATOR"
17	122052X		SPACER RETAINER
18	131459		SUB= 532131459
19	73510500		NUT
20	123891X		"KEEPER,DR BELT "
21	19111016		WASHER
22	123404X		"KEEPER,FRA DR BEL "
23	131204		SUB= 532131204



Ref #	Part Number	Qty	Description
1	124657X		EXT SPRING
2	73510400		NUT
3	19091016		WASHER
4	74780410		BOLT
5	126675X		SUB= 139888
6	122549X		BRKT HOOD RH
7	122548X		BRKT HOOD LH
8	17411310		SUB= 17521312
9	74780412		SUB= 74780414
10	123693X		"BRACE,HOOD"
11	132918X419		HOOD
12	122035X		LENS
13	127029X		GRILL
18	19111116		WASHER
19	11030400		LOCKWASHER GT
20	131319		SUB= 532131319



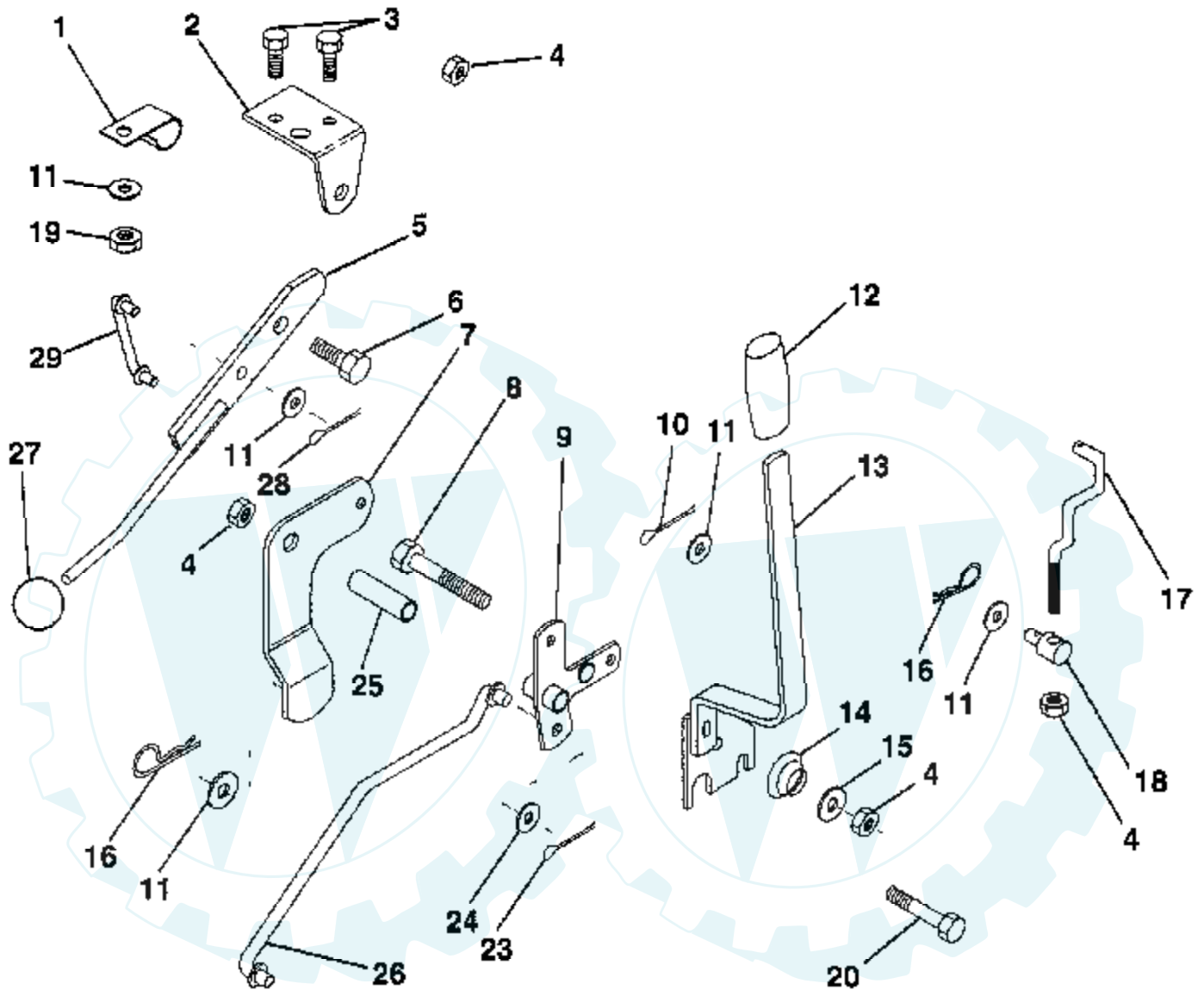
10 HP 36" TRACTOR -- MODEL NUMBER WE10L36A MOWER DECK



Ref #	Part Number	Qty	Description
1	127743		SUB= 140064
2	122052X		SPACER RETAINER
3	73680600		SUB= 73690600
4	130840		BRAKE ASM
5	131251		IDLER BELT GUIDE
6	121316X		PULLEY IDLER
7	72110616		BOLT
8	19131410		WASHER
9	127744		SUB= 140092
10	72110608		BOLT D
11	130841		BRAKE ROD
12	127356		"BRKT,LIFT REAR"
13	72140505		BOLT
14	73680500		SUB= 73690500
15	127357		"BRKT,LIFT REAR LH"
16	130837		SUB= 153298
17	128508		MOWER LINK STAB
18	128511		"PIN,GROOVE"
19	127380		"BRKT,LINK STABILI"
20	138496		"BLADE.36"" HIPERF"
21	129962		WASHER BLADE
22	10030600		SUB= 10040600
23	850857		BLADE BOLT
24	136929		SUB= 140329
25	78158		SUB= 17580520
26	129963		WASHER
27	129983		SUB= 156600
28	129207		SUB= 153531
29	137266		SUB= 139729
30	136631		SUB= 532136631
31	17490508		SCREW LT
32	122051X		"SUPT,IDLER ARM"
33	131560		SUB= 532131560
36	121980X		HINGE ROD
37	123713X		SPRING TORSION
38	105304X		CAP-SLEEVE LT
39	19111016		WASHER
40	110452X		NUT PUSH M
41	131264		V-BELT.PRIM.78.5.
42	19171616		WASHER
43	3146R		RETAINER.SPRING
44	130836		SUB= 140608
45	110485X		BEARING
46	128774		HSG ASM MANDREL
47	129895		BEARING.BALL
48	137645		SUB= 137646
	130794		MANDREL ASM
	136317		SUB= 140979

10 HP 36" TRACTOR - - MODEL NUMBER WE10L36A

MOWER LIFT LEVER

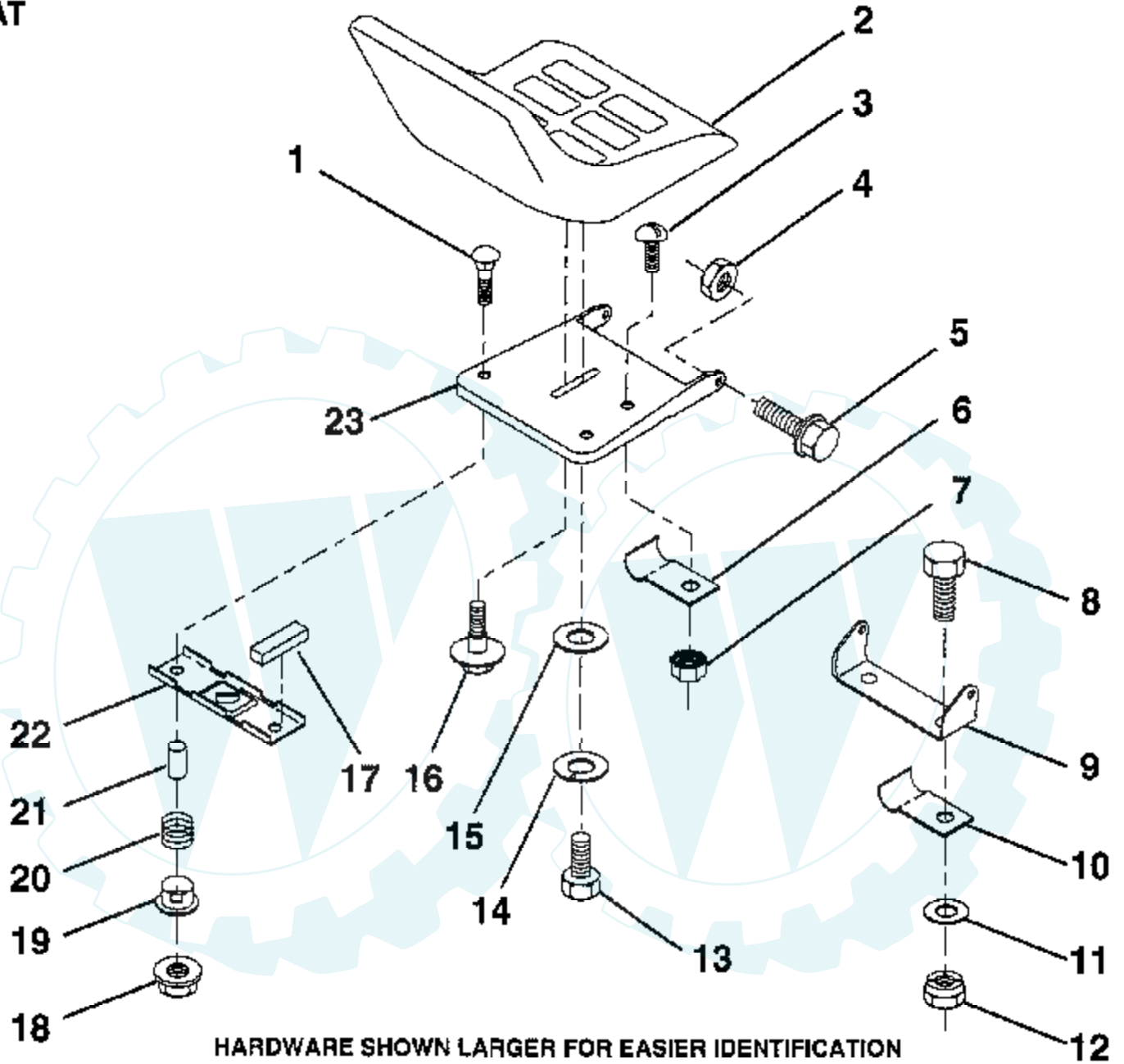


HARDWARE SHOWN LARGER FOR EASIER IDENTIFICATION

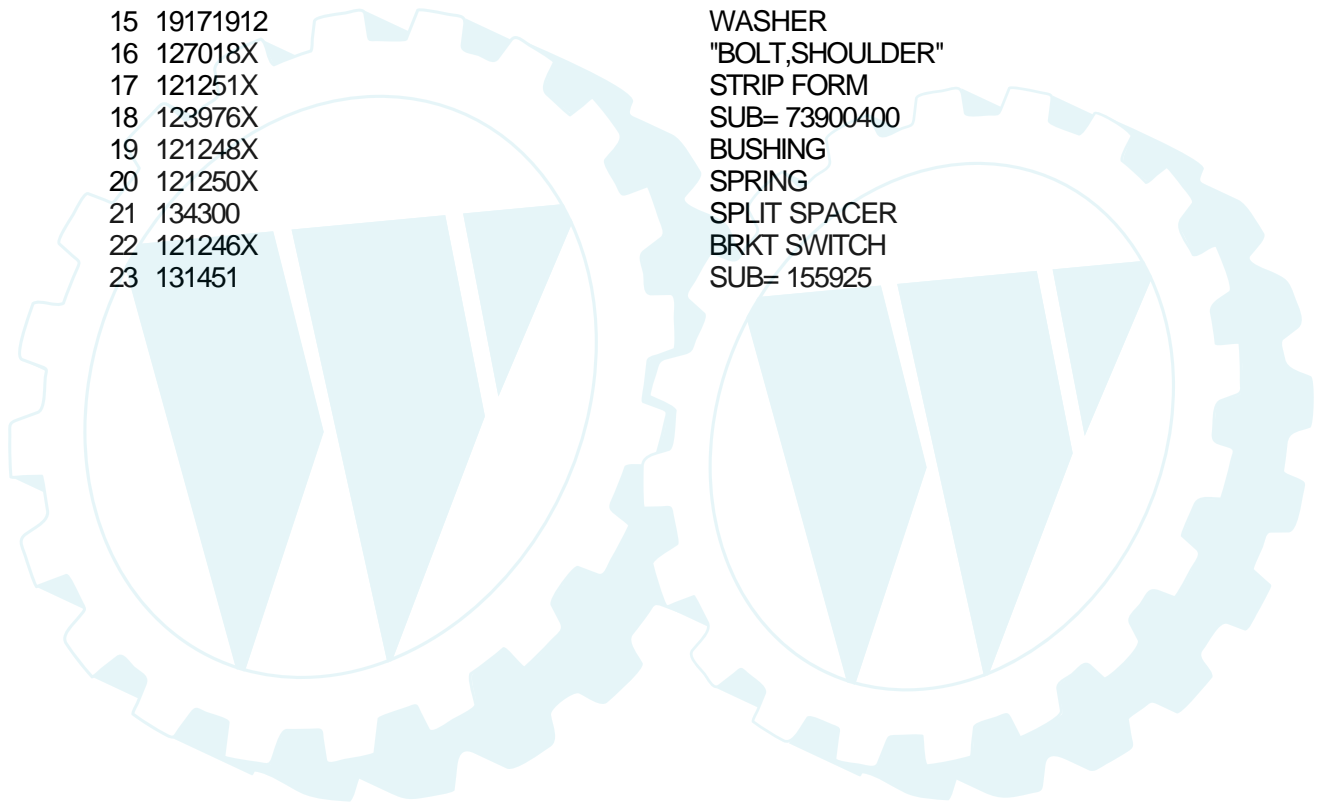
Ref #	Part Number	Qty	Description
1	126470X		"CLIP,INSULATOR"
2	122018X		BRKT CLUTCH
3	74780408		BOLT
4	73680600		SUB= 73690600
5	123417X		CLUTCH LEVER AS
6	106451X		"BOLT, SHOULDER LT"
7	135371		MWR CLUTCH ARM AS
8	74760636		BOLT
9	121930X		"BELLCRANK,LIFT"
10	76020412		COTTER PIN
11	19131316		WASHER
12	131861		SUB= 532131861
13	139352		HANDLE.ASM.LIFT
14	123496X		SPRING COMPRESSIO
15	19131212		WASHER T
16	4921H		SPRING.RETAINER
17	127359		"LINK,LIFT FRT"
18	133205		TRUNION
19	73680400		SUB= 73690400
20	74760644		BOLT
23	76020416		PIN COTTER 1/8
24	19171616		WASHER
25	121933X		TUBE SPACER
26	121934X		"ROD,MOWER LIFT "
27	106932X		KNOB T(3/8 HOLE)
28	76020312		SUB= 3145
29	131655		CLUTCH LINK

10 HP 36" TRACTOR - - MODEL NUMBER WE10L36A

SEAT

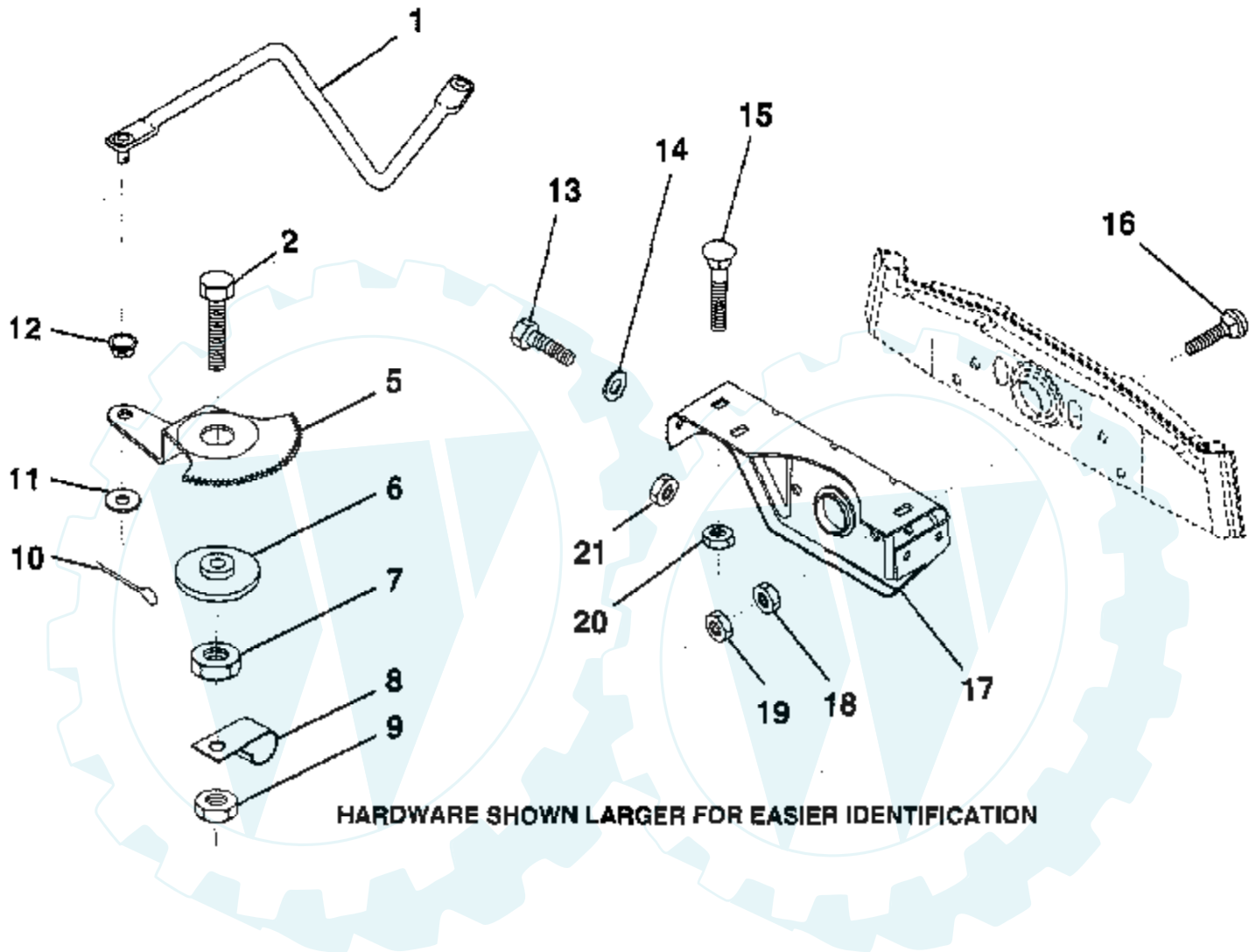


Ref #	Part Number	Qty	Description
1	72050411		SUB= 872050411
2	134647		SUB= 140119
3	74641008		SUB= 71031008
4	73680500		SUB= 73690500
5	105529X		SUB= 139888
6	4171R		CLIP T
7	73951000		"NUT,KEPS"
8	74760612		SUB= 74780612
9	126656X		SUB= 140551
10	126471X		"CLIP,INSULATOR"
11	19133210		WASHER
12	73680600		SUB= 73690600
13	74780814		BOLT
14	10040800		LOCKWASHER
15	19171912		WASHER
16	127018X		"BOLT,SHOULDER"
17	121251X		STRIP FORM
18	123976X		SUB= 73900400
19	121248X		BUSHING
20	121250X		SPRING
21	134300		SPLIT SPACER
22	121246X		BRKT SWITCH
23	131451		SUB= 155925

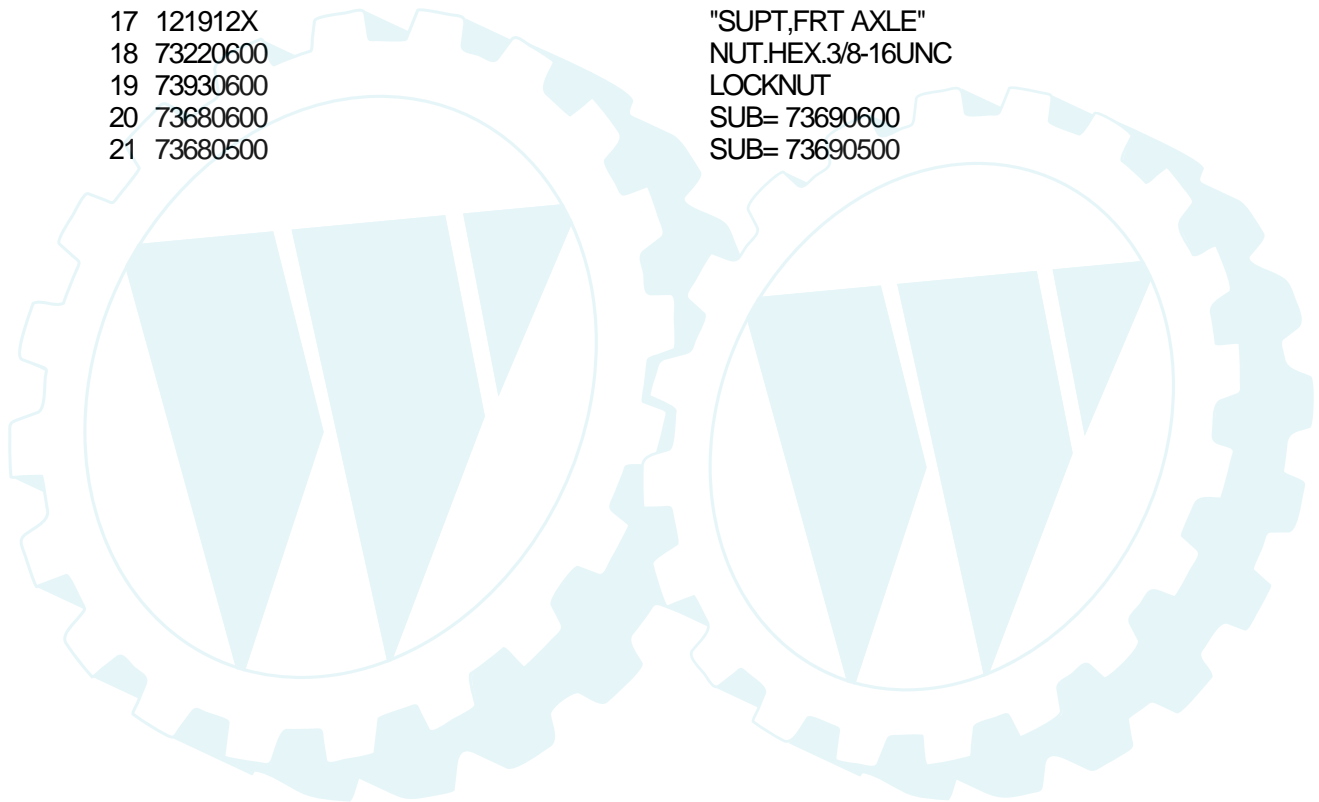


10 HP 36" TRACTOR - - MODEL NUMBER WE10L36A

SECTOR GEAR / AXLE SUPPORT

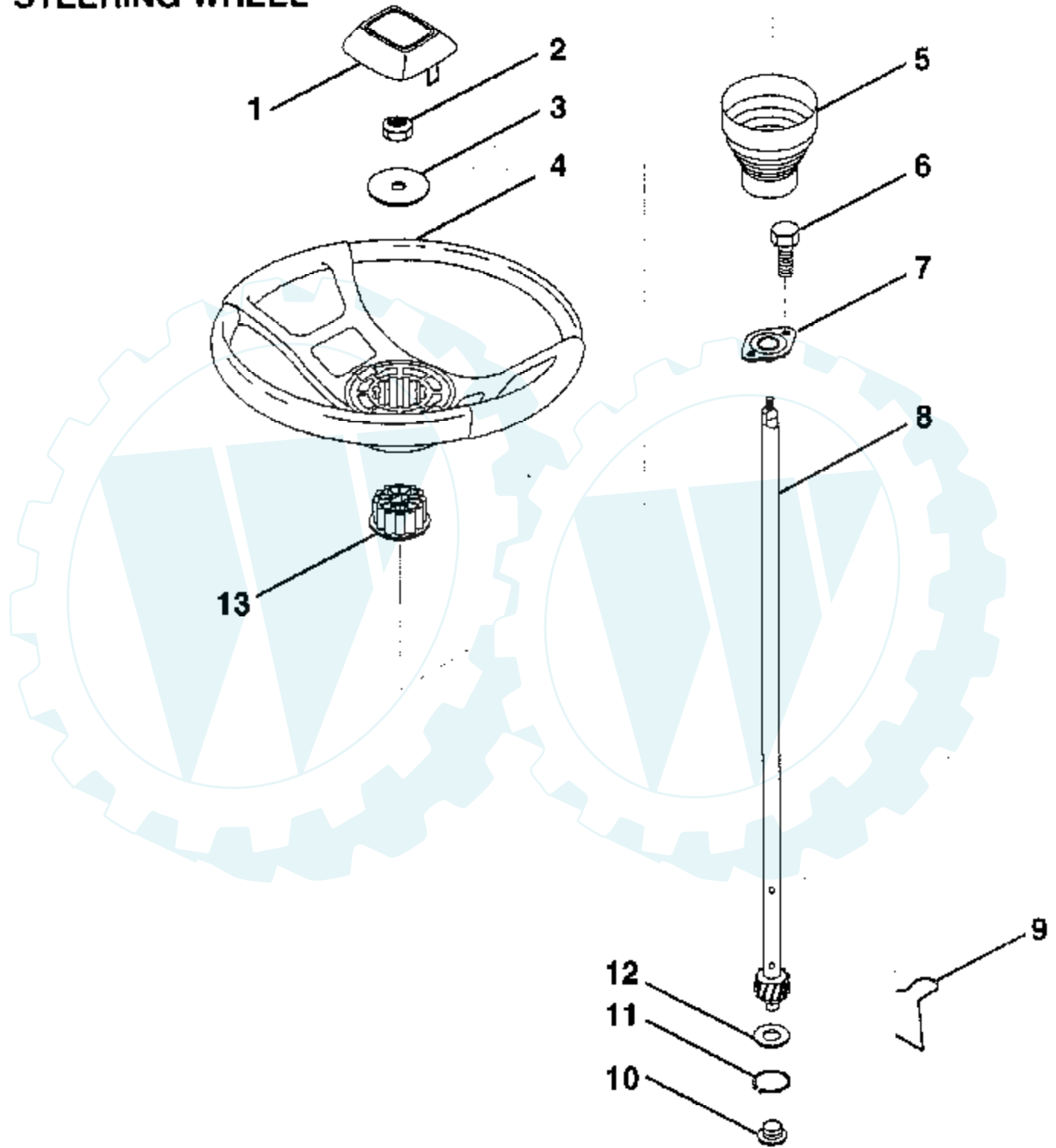


Ref #	Part Number	Qty	Description
1	132566		DRAG LINK
2	74780828		"BOLT,HEX"
5	121926X		GEAR SECTOR
6	121927X		BUSHING
7	73030800		NUT
8	126472X		CLIP INSULATOR
9	73680800		NUT LTV
10	76020412		COTTER PIN
11	19131316		WASHER
12	126847X		BUSHING.DRAGLINK
13	74760512		BOLT
14	19111416		WASHER
15	72110606		BOLT
16	72140622		BOLT
17	121912X		"SUPT,FRT AXLE"
18	73220600		NUT.HEX.3/8-16UNC
19	73930600		LOCKNUT
20	73680600		SUB= 73690600
21	73680500		SUB= 73690500



10 HP 36" TRACTOR - - MODEL NUMBER WE10L36A

STEERING WHEEL



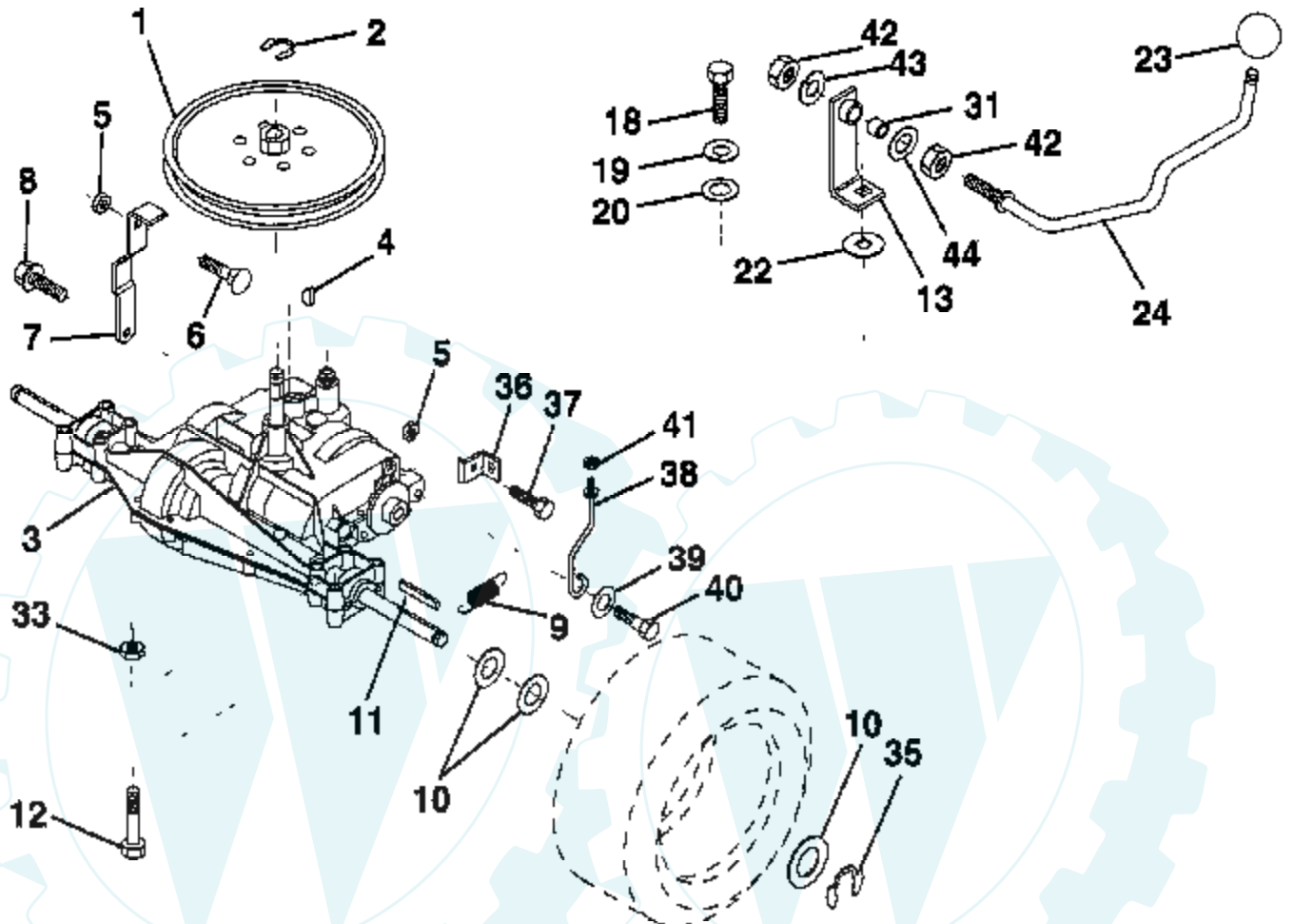
HARDWARE SHOWN LARGER FOR EASIER IDENTIFICATION

Ref #	Part Number	Qty	Description
1	133742		ST WHL INSERT CAP
2	7810H		GRIPCO NUT
3	19133808		WASHER T
4	133741		SUB= 150547
5	121897X		SLEEVE STEERING
6	17431008		SUB= 98000165
7	102803X		SUB= 918102803X
8	123651X		SUB= 148966
9	124210X		STEERING CLIP
10	123438X		BUSHING STEER LWR
11	12000045		RING
12	19211616		WASHER LT
13	104820X		ADAPTER-WHEEL LT



10 HP 36" TRACTOR - - MODEL NUMBER WE10L36A

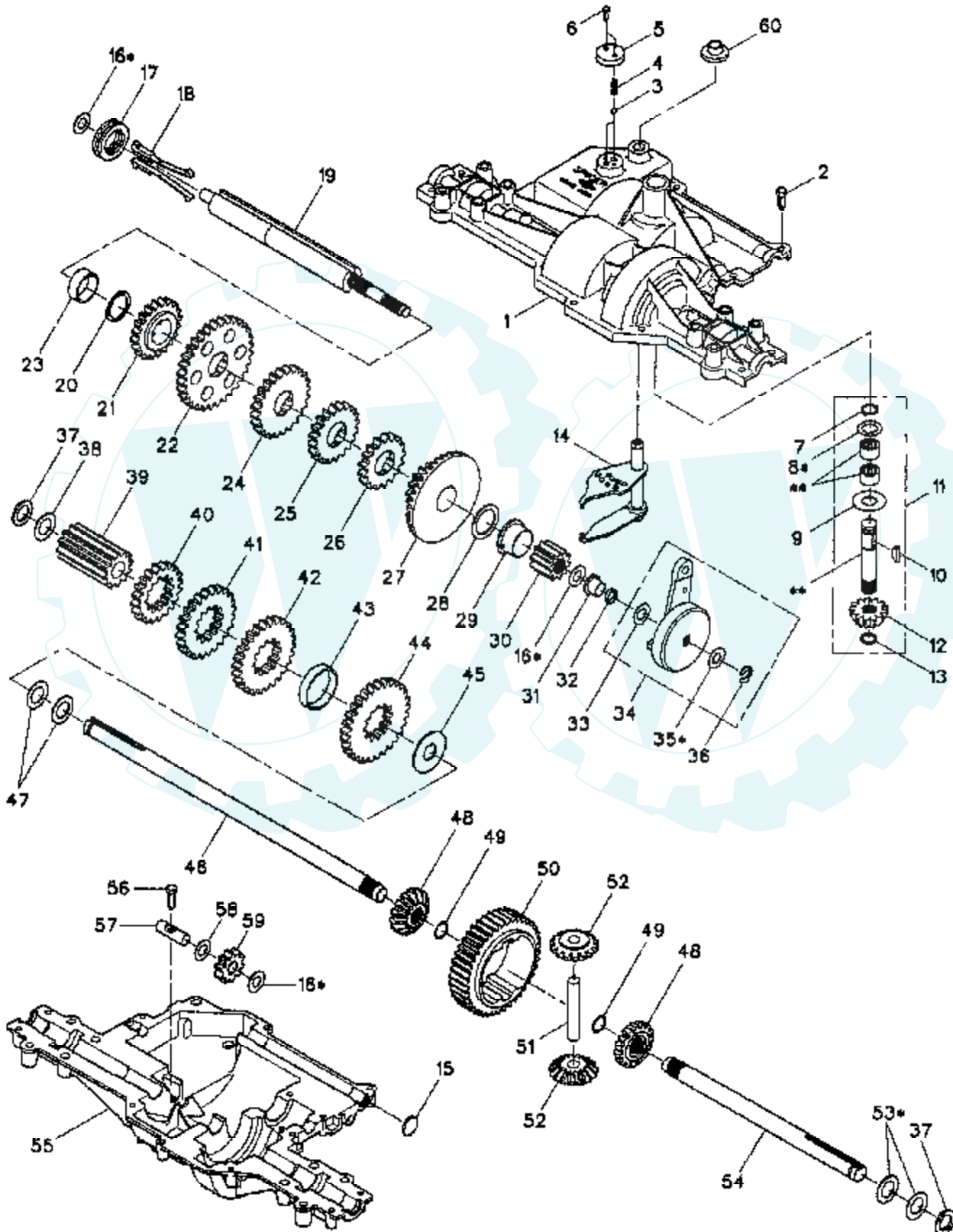
TRANSAXLE



HARDWARE SHOWN LARGER FOR EASIER IDENTIFICATION

Ref #	Part Number	Qty	Description
1	123385X		PULLEY
2	12000028		SUB= 2267J
3	2000-07		TRANSAXLE DANA 5SP
4	2228M		SUB= 2228M1
5	73680500		SUB= 73690500
6	72140506		BOLT
7	131939		STRAP.TORQUE.LH
8	17490512		SCREW
9	110422X		SUB= 146682
10	121749X		WASHER
11	123583X		SQUARE KEY
12	74760644		BOLT
13	137491		BRACKET.ASM.SHIFT
18	71040412		SUB= 74550412
19	10040400		LOCKWASHER
20	19091210		WASHER LT
22	105701X		WASH-SHFT PLT LT
23	106933X		KNOB T (1/2-HOLE)
24	131930		ROD.SHIFT.CNTR.LR
31	132985		SPACER
33	73680600		SUB= 73690600
35	12000001		E-RING LT
36	131935		BRACKET.BRAKE
37	74760512		BOLT
38	131937		KEEPER.BELT.RH
39	19171612		WASHER GT
40	132827		BOLT SHD 5/16-18
41	73800500		NUT
42	73220700		NUT
43	10040700		LOCKWASHER
44	19151612		WASHER

**10 HP 36" TRACTOR - - MODEL NUMBER WE10L36A
DANA TRANSAXLE - MODEL NUMBER 2000-07**



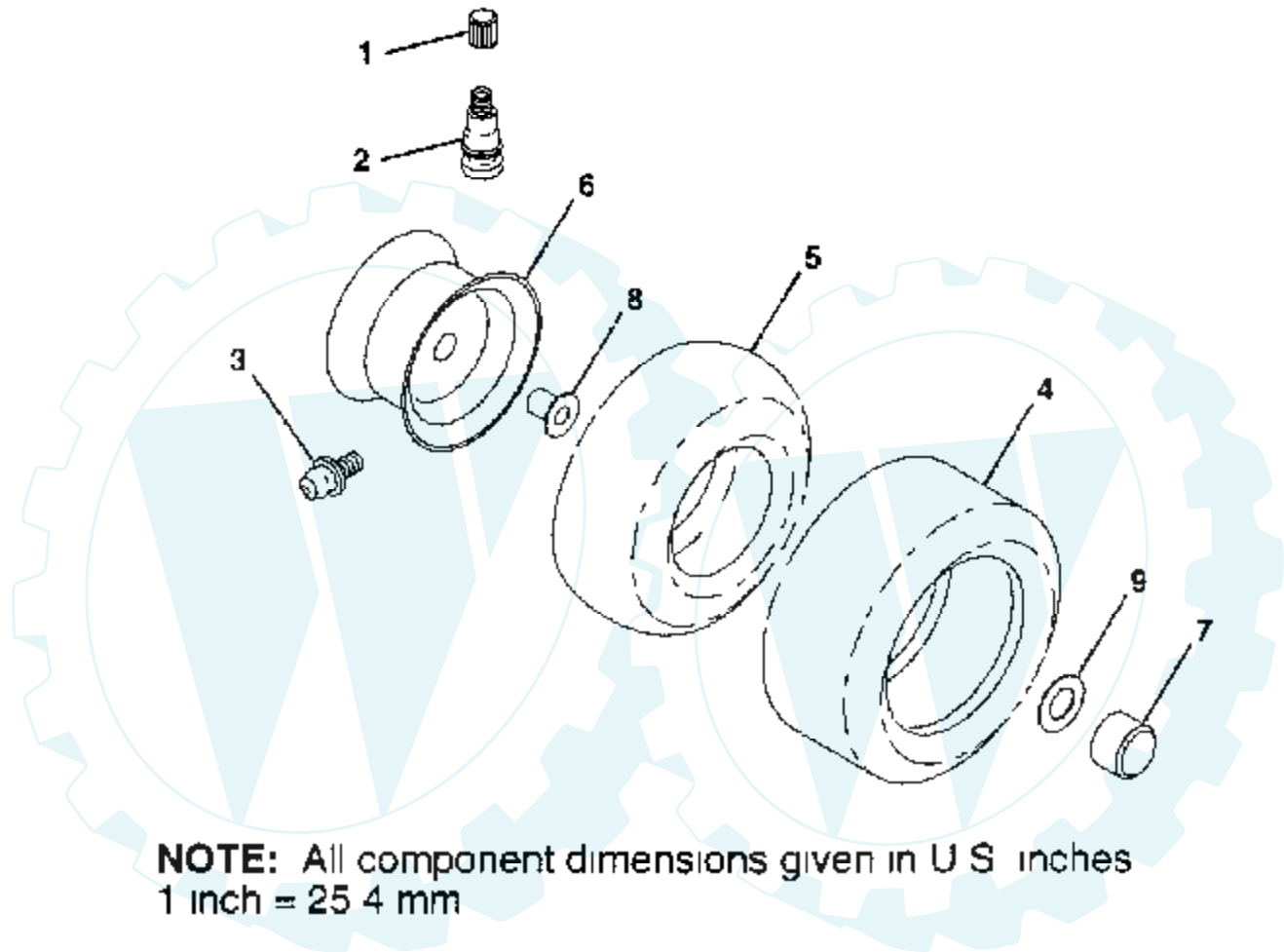
Ref #	Part Number	Qty	Description
1	5151-B		HOUSING, UPPER
2	1919		SCREW
3	5112		BALL, DETENT
4	5185		SPRING, DETENT
5	5184		COVER, DETENT
6	3035		SCREW
7	1099		RING RETAINING
8	4689		ASSY, KIT, SHIM .625 SHAFT
9	3876		WASHER, PLAIN .632 X 1.38 X .046
10	1374		KEY WOODRUFF #9
11	4687		ASSY, KIT, INPUT SHAFT
12	3936		PINION, BEVEL
13	3656		RING, RETAINING
14	4623		ASSY, SHIFTER
15	5196		SEAL
16	4690		ASSY, KIT, SHIM
17	3631		COLLAR CLUTCH
18	4688		ASSY, KIT, CLUTCH KEYS
19	5165		SHAFT, DRIVE
20	3627		RING, RETAINING
21	5155		GEAR, SPUR, 20T
22	5154		GEAR, SPUR, 32T
23	5239		SPACER
24	5152		GEAR, SPUR, 24T
25	5149		GEAR, SPUR, 20T
26	5148		GEAR, SPUR, 17T
27	5238		GEAR, BEVEL, 39T & SPUR 15T
28	5201		WASHER
29	5183		BEARING
30	5180		GEAR, SPUR, 10T
31	5182		BEARING
32	5258		SEAL
33	3887		WASHER PLAIN
34	4728		ASSY, KIT, BRAKE CONE
35	4692		ASSY, KIT, SHIM
36	5251		CLIP RING
37	5130		WASHER, NEOPRENE
38	3180		WASHER PLAIN
39	5160		GEAR, SPUR, 12T
40	3983		GEAR, SPUR, 20T
41	5163		GEAR, SPUR, 24T
42	5162		GEAR, SPUR, 26T
43	5240		SPACER
44	5161		GEAR, SPUR, 29T
45	3955		WASHER
46	5221		AXLE
47	3184		WASHER, PLAIN .758 X 1.25 X .031
48	3780		GEAR, MITER, 15 TEETH
49	3656		RING, RETAINING
50	5181		GEAR, SPUR, 41T
51	3919		SHAFT, CROSS
52	3781		GEAR, MITER, 15 TEETH
53	4691		ASSY, KIT, SHIM .750 SHAFT
54	5222		AXLE
55	5150-A		HOUSING, LOWER
56	3396		SCREW 1/4-20 X .875
57	3987		SHAFT, IDLER
58	3888		WASHER PLAIN

Ref #	Part Number	Qty	Description
59	5293		GEAR, SPUR, 10T
60	5024		BOOT, SHIFTER
61	4300		GREASE



10 HP 36" TRACTOR - - MODEL NUMBER WE10L36A

WHEELS AND TIRES



NOTE: All component dimensions given in U S inches
1 inch = 25.4 mm

Ref #	Part Number	Qty	Description
1	59192		VALVE CAP
2	65139		VALVE STEM LT
3	278H		FITTING LT
4	124142X		SUB= 123410X
	124143X		SUB= 122075X
5	59904		TUBE.5.3/4.5/6
	8134		SUB= 8134H
6	139517X473		RIM.ASM.6X3.5
	139519X473		"RIM.ASM.8""REAR"
7	104757X		HUB CAP
8	9040H		"FLANGE, BEARING"
9	121748X		WASHER

